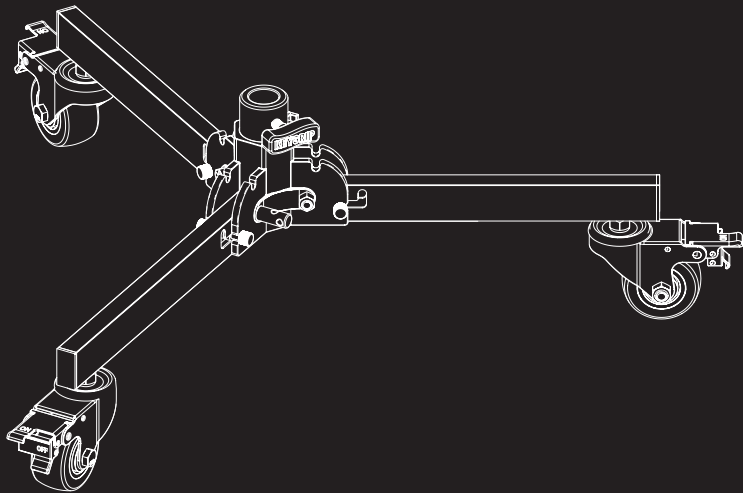


# KEYGRIP

BY IMPACT



## FOLDER RUNWAY BASE

# Thank you for choosing KeyGrip.

All Keygrip stands are precision manufactured to exact standards and specifications for pro video, photo, and cinematography applications. Attention to detail in manufacturing all Keygrip lines ensures steady and secure rigging for valuable studio gear. With proper care and maintenance, Keygrip stands are made to last a generation.

The Keygrip Folder Runway Base is ideal for mounting heavy studio gear with a 1 1/8-inch junior pin, like heavy lights and C-stand risers. Great for safely moving heavy lights and booms around the set or creating a rolling light stand, this rugged base features 3-inch locking casters for easy rolling over surfaces including thick carpeting. Use the base with a junior-to-baby-pin adapter to mount gear with a baby receiver directly to the base for working at a low angle. For easy storage and transportation, the base folds up and can stand on its own when folded.

# Precautions

- Please read and follow these instructions, and keep this manual in a safe place.
- Make sure that this product is intact and that there are no missing parts.
- Do not exceed the maximum load capacity.
- Use caution when operating this product with the maximum load capacity.
- Due to the narrow footprint diameter, make sure the load is balanced.
- Make sure all connections are secure before proceeding.
- Always use sandbags when using this product.
- Be careful not to catch or pinch your fingers when folding and unfolding the legs.
- All images are for illustrative purposes only.

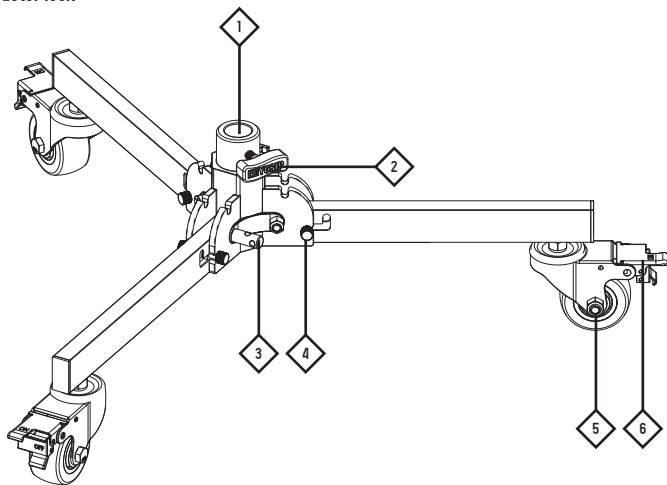
# Specifications

## SA-FRB

<b>Type</b>	Wheeled runway base
<b>Working Height</b>	9.5 in. (24.1 cm)
<b>Folded Length</b>	14.25 in. (36.2 cm)
<b>Load Capacity</b>	88 lb. (40 kg) with stand adapter 33 lb. (15 kg) with 20 in. double riser 22 lb. (10 kg) with 40 in. double riser
<b>Top Mount</b>	1 1/8 in. (28.6 mm) receiver
<b>Footprint Diameter</b>	29.6 in. (75.3 cm)
<b>Wheels</b>	Built-in 3 in. (7.6 cm) locking
<b>Weight</b>	11.8 lb. (5.35 kg)

# Overview

1. Junior receiver
2. Locking knob
3. Offset cam
4. Leg lock
5. Caster
6. Caster lock



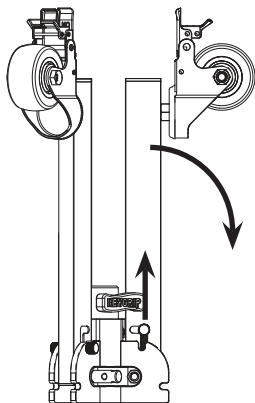
# Setting Up the Runway Base

## Operating the Legs

### Opening the Legs

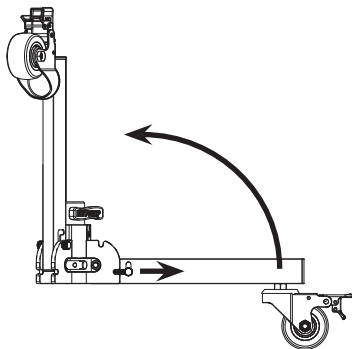
Pull out the spring-loaded leg locks, and lower the legs down into position until they lock in place.

**Important!** Keep your fingers clear of the leg locks when unlocking them or when changing the leg position.



### Closing the Legs

Pull out the spring-loaded leg locks, and fold the legs up into the closed position until they lock in place.

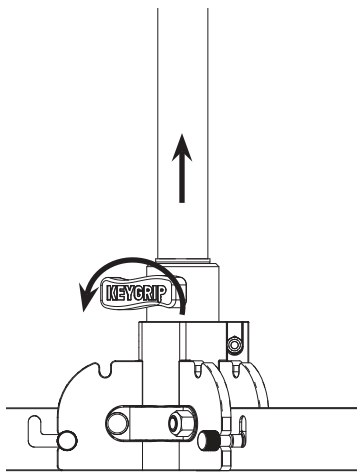
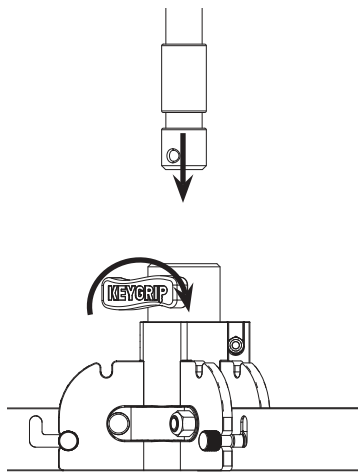


## Mounting a Light, Stand, or Accessory

Loosen the base's locking knob, and insert a C-stand riser, light fixture, or accessory into the base's junior receiver.

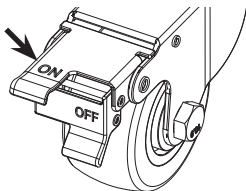
Remove the gear from the base by loosening the locking knob and lifting the junior pin out of the receiver.

Make sure the junior pin is fully inserted into the receiver before tightening the locking knob.

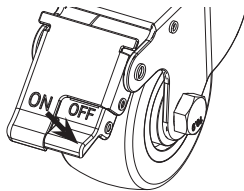


## Wheel Locks

Step on the left **On** side to lock the wheels.

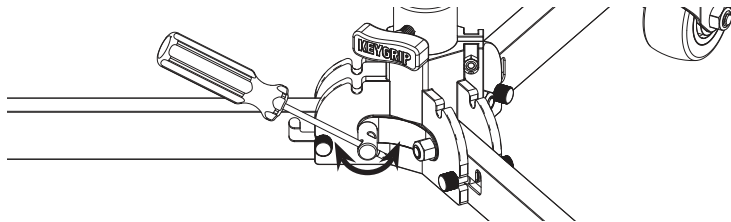


Step on the right **Off** side to unlock the wheels.



## Leveling Cam

Insert a screwdriver or other thin rod into the leveling cam's 0.2-inch (5 mm) hole, and turn the cam clockwise or counterclockwise. The leveling cam will adjust the riser's perpendicular orientation by approximately 2.5% in either direction.



# One-Year Limited Warranty

This KEYGRIP by Impact product is warranted to the original purchaser to be free from defects in materials and workmanship under normal consumer use for a period of one (1) year from the original purchase date or thirty (30) days after replacement, whichever occurs later. The warranty provider's responsibility with respect to this limited warranty shall be limited solely to repair or replacement, at the provider's discretion, of any product that falls during normal use of this product in its intended manner and in its intended environment. Inoperability of the product or part(s) shall be determined by the warranty provider. If the product has been discontinued, the warranty provider reserves the right to replace it with a model of equivalent quality and function.

This warranty does not cover damage or defect caused by misuse, neglect, accident, alteration, abuse, improper installation or maintenance. EXCEPT AS PROVIDED HEREIN, THE WARRANTY PROVIDER MAKES NEITHER ANY EXPRESS WARRANTIES NOR ANY IMPLIED WARRANTIES, INCLUDING BUT NOT LIMITED TO ANY IMPLIED WARRANTY OF MERCHANTABILITY OR FITNESS FOR A PARTICULAR PURPOSE. This warranty provides you with specific legal rights, and you may also have additional rights that vary from state to state.

To obtain warranty coverage, contact the Impact Customer Service Department to obtain a return merchandise authorization ("RMA") number, and return the defective product to Impact along with the RMA number and proof of purchase. Shipment of the defective product is at the purchaser's own risk and expense.

For more information or to arrange service, visit [www.impactstudiolighting.com](http://www.impactstudiolighting.com) or call Customer Service at 212-594-2353.

Product warranty provided by the Gradus Group.

[www.gradusgroup.com](http://www.gradusgroup.com)

KeyGrip and Impact are registered trademarks of the Gradus Group.  
© 2025 Gradus Group LLC. All Rights Reserved.

