

Thank you for choosing Energen® DroneMax® charging station.
Please always follow basic safety precautions when using the DroneMax.
Read all instructions carefully and keep this manual for easy reference.

X Disclaimer

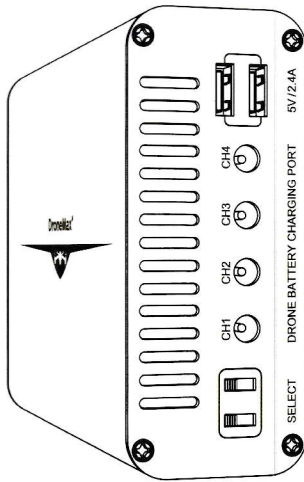
Thank you for purchasing the Energen DroneMax Drone Battery Charging Station (hereinafter referred to as "Product"). Please read this disclaimer carefully before using this Product. Please be aware that by continuing use of this Product you agree to this disclaimer and further indicate that you have read it fully. When using this Product please adhere strictly to all items mentioned in the user manual. Notice to pay special attention to the Warnings section, Energen and all its affiliates and subsidiary companies assume no liability for damage(s) or injuries incurred directly or indirectly from improper use of this Product. Improper use includes, but is not limited to charging unapproved batteries, short-circuiting, overheating, introducing foreign materials into the Product, or touching the terminals with skin or metal. Refer to the Safety Guidelines, Disclaimer and Operation Guideline under the User Manual for all necessary applicable information. Energen and DroneMax are the registered trademarks of Solid Pro Inc. Names of product, brand, etc., appearing in this manual are trademarks or registered trademarks of their respective owners. This Product and User Manual are copyrighted by Energen with all rights reserved. No part of this Product or User Manual shall be reproduced in any form without the prior written consent or authorization of Energen.

X Warnings

1. To prevent electric shock, do not attempt to remove the DroneMax cover or chassis. Disassembling the DroneMax will void its warranty.
2. To reduce the risk of fire, do not expose or operate the DroneMax under extreme heat or direct sunlight.
3. To prevent damage caused by short circuit, do not expose the DroneMax to rain, moisture or high humidity. Do not spill any liquid on the DroneMax.
4. Do not operate the DroneMax if the charging cable or connector is damaged. Failure to do so may result in electric shock.
5. Keep away from children's reach.
6. To clean the DroneMax, do not use any detergent. Use a dry cloth.

X Features

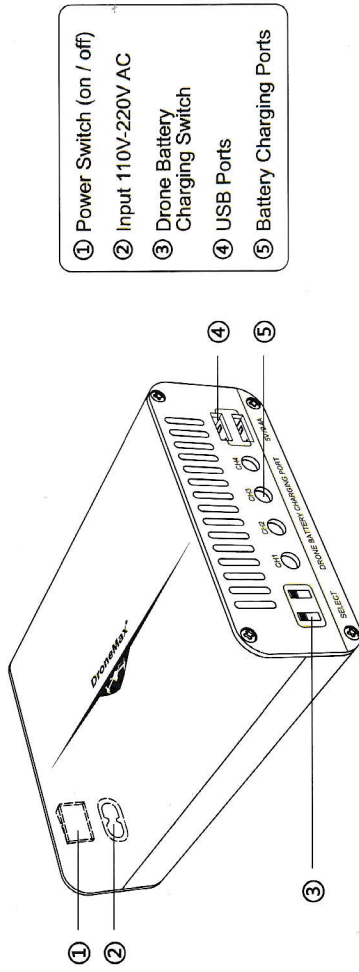
1. Customized for DJI Drone batteries.
2. Recharge 4 batteries simultaneously.
3. Dual USB charging ports to charge drone remote control and other USB devices.
4. Aluminum enclosure provides excellent heat dissipation.
5. Over-voltage, over-current, over temperature protections for consistent and safe operation.
6. Compatible with Phantom 4 / Mavic Pro / Mavic 2 / Mavic Air / Mavic Air 2 drone battery.



DroneMax®

USER MANUAL AND SAFETY GUIDELINES

X Operation Guideline



- ① Power Switch (on / off)
- ② Input 110V-220V AC
- ③ Drone Battery Charging Switch
- ④ USB Ports
- ⑤ Battery Charging Ports

X Specification

Model	EN-DM-UNIAC01	USB Charging Port	2
Output DC	DC 17.6V / 5.0A & 13.2V / 3.8A	Dimension	6.9 x 4.5 x 1.8 inch 174.0 x 115.0 x 45.0 mm
Input AC	AC 100-240V 50 / 60Hz	Weight	1.26 lb / 0.57 kg
Output USB	5V / 2.4A x 2	Working Temperature	23 ~ 104°F / -5 ~ 40°C
Battery Charging Port	4		

* All charging specifications and charging times are derived from testing done at lab environment and at room temperature of 77°F / 25°C. Your charging time will vary depending on your charging environment and the ambient operating temperature.

X Package Content

Parts List	Quantity
DroneMax Charger	x1
Battery Charging Cable	x4
AC Power Cord	x1
User Manual	x1

X How to Charge the Drone Batteries

To charge the drone batteries, please select the correct charging cables from the cables provided with DroneMax.

1. Adjust the drone battery charging switch positions to match the Drone Battery(ies).
2. Flip the power switch to the "ON" position.
3. Connect the DroneMax to the wall outlet/socket via the AC Power Cord.
4. Connect the charging cable(s) to the DroneMax and to the drone battery(ies).
The DroneMax will begin to charge your drone battery(ies).
5. Your drone batteries should start charging.
6. You will be able to charge 4 batteries simultaneously.*

* Typically the drone batteries will be over 95% capacity after 90 minutes of charging. The last 5% will take disproportionately long. It is not necessary to wait that long to use your drone batteries.



X How to Charge the Remote Control

1. Ensure that the DroneMax plugged into the wall outlet / socket.
2. Connect the charging cable to the remote control (matching the connector ends).
3. Then plug the other end of the charging cable into battery charging port on the DroneMax.

X How to Charge USB Devices

1. Ensure that the DroneMax is plugged into the wall outlet / socket.
2. Connect your device(s) to your USB charging cable(s).
3. Then plug the other end of the USB cable into one of the USB ports on the DroneMax.

X DroneMax® Safety Guidelines

1. While charging, please do not use any material to cover the DroneMax or the drone batteries. This will allow continuous and proper heat dissipation.
2. Avoid contact with any liquid. Do not charge or leave the DroneMax in the rain or near any source of moisture, indoors or outdoors.
3. The operating range of the DroneMax is from 23°F to 104 °F (-5°C to 40 °C). Do not operate the unit at below or above the range of temperatures.
4. Do not attempt to disassemble the DroneMax. Doing so voids the product warranty and may cause electrical shock.
5. Do Not charge the drone battery right after a drone flight. Allow the drone battery to cool down near room temperature before charging. The drone battery circuitry often will not allow charging immediately after use.
6. Please be aware, often, when the battery level is above 90%, the DroneMax may not charge the battery. This is a built-in protection function of the drone batteries.



www.myenergen.com

Designed in USA. Assembled in China.

Copyright © 2013-2021, Energen. All rights reserved.
Copying or reproduction without permission from Energen are strictly prohibited.
All trademarks are the property of their respective owners.

