



**NETWORK
TECHNOLOGIES
INCORPORATED**

1275 Danner Dr Tel:330-562-7070
Aurora, OH 44202 Fax:330-562-1999
www.networktechinc.com

USB2-C5-4LC

USB 2.0 4-Port Extender

User's Manual



INTRODUCTION

Congratulations on your purchase of the USB 2.0 4-Port Extender. This USB.2.0 4-Port Extender is capable of sending USB signals across a Cat.5/5e/6 cable up to 50 meters at data rate of High Speed (480Mb/s), Full Speed (12Mb/s)and Low Speed (1.5Mb/s) .

Setting up the USB 2.0 4-Port Extender is quite simple. It takes only minutes to setup, and there is no configuration necessary. The USB 2.0 4-Port Extender is USB 2.0 compliant and it is backward compatible with USB 1.1/1.0.

PACKAGE CONTENTS

Before installation, please check the items of the package :

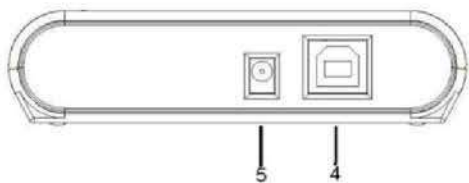
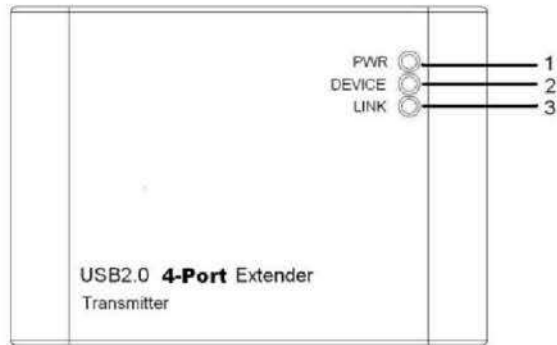
- Transmitter Unit X 1
- Receiver Unit X 1
- User's Manual X 1
- Power Adapter (5V, 2A) X 1

NOTE : User needs to supply the USB Cable (A Male to B Male) to connect the Transmitter Unit and Host System (or PC).

FEATURES :

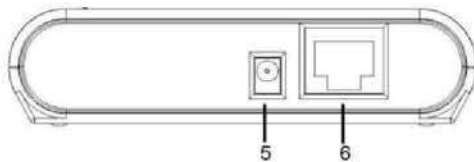
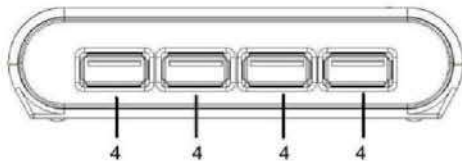
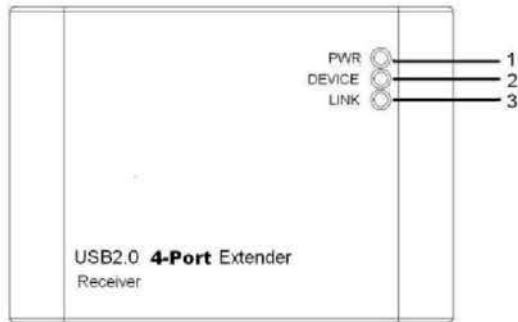
- Support for any High-Speed (480Mb/s), full-speed (12 Mb/s) or low-speed (1.5 Mb/s) USB devices ;
- Allows up to 4 USB devices to have its cable length extended up to 50m ;
- Support suspend/resume detection ;
- Support Hot Plug ;
- Low cost in comparison with extension of cable using Hubs or other USB extender ;
- No software driver required ;
- Operating Temperature : 0°C to 50°C ;

Transmitter Unit



ITEM	TYPE	DESCRIPTION
1	PWR LED (Red)	LED turns on when power supplied from Host System (or PC). Off when no power is supplied.
2	DEVICE LED(Green)	Indicates up to 4 USB Devices has been connected to USB Port(s) of the Receiver Unit and active. Off when device(s) do not work properly.
3	LINK LED(Amber)	Indicates a valid interconnection between Transmitter Unit and Receiver Unit is established via Cat-5 cabling.
4	USB INPUT	Uses to connected the Transmitter Unit to the Host System (or PC)
5	POWER PORT	NOT REQUIRED , the Transmitter Unit powered by the Host System (or PC) via USB Port.
6	LINK PORT	Connects the Transmitter Unit to Receiver Unit using Cat-5 cabling

Receiver Unit



ITEM	TYPE	DESCRIPTION
1	PWR LED (Red)	LED turns on when power supplied from Host System (or PC). Off when no power is supplied.
2	DEVICE LED(Green)	Indicates up to 4 USB Devices have been connected to USB Port(s) of the Receiver Unit and are active. Off when USB device(s) do not work properly.
3	LINK LED(Amber)	Indicates a valid interconnection between Transmitter Unit and Receiver Unit is established via Cat-5 cabling.
4	DEVICE PORT	Used to connect the Receiver Unit to the USB Device(s).
5	POWER PORT	Connects the included 5V/2A DC power supply to Receiver Unit. Required at Receiver Unit for proper operation.
6	LINK PORT	Connects the Transmitter Unit to Receiver Unit using Cat-5 cabling

INSTALLATION :

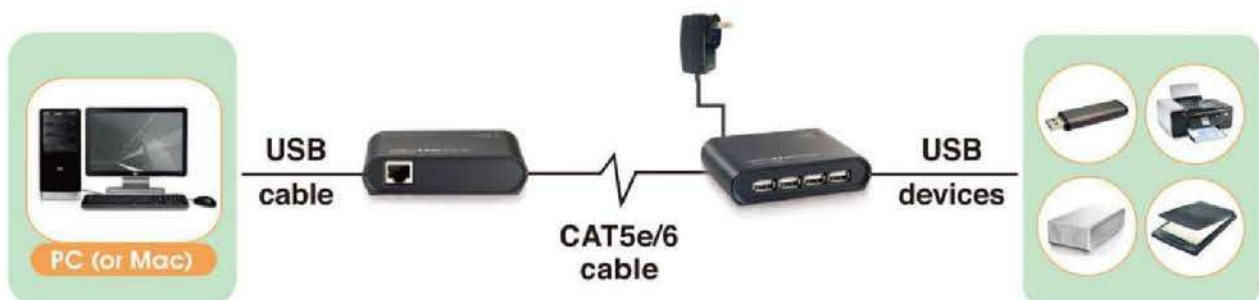
1. Connect the Transmitter Unit to the Host System (or PC) via USB Cable (A Male to B Male, supplied by user).
2. Connect USB Device(s) to the Receiver Unit.
3. Connect the USB 2.0 Extender Transmitter Unit and Receiver Unit together with a Cat-5 Cabling (supplied by user).
4. Plug the included 5V/2A DC Power Supply into the USB 2.0 Extender Receiver Unit.

Plug the AC power cord of power supply into an available electrical outlet.

Operational power for the Local Unit is provided by the Host System (or PC).

5. Check the LED on USB 2.0 Extender Transmitter Unit and Remote Unit. Make sure that the LED on both unit illuminate in solid light meaning the extenders are powered and communicating.

Application Diagram :



System Requirements :

- Windows XP/7/Vista/8 ; Mac OS
- One available USB Port :

Specifications :

Transmitter Unit	Upstream Port	USB Type B Male
	Downstream Port	RJ45 Jack
	Power	Bus-Powered
	Dimensions	95.3 x 68.0 x 23.3mm
Receiver Unit	Upstream Port	USB Type A Female x 4
	Downstream Port	RJ45 Jack
	Power	Self-Powered (5V/2A)
	Dimensions	95.3 x 68.0 x 23.3mm
Interconnect Cable		Standard Category-5/5e/6 Network Cable
Max Cable Length		50m
Operating Temperature		0°C ~ 50°C

Certifications

This equipment has been tested and found to comply with FCC and CE Rules.

Operation is subject to the following two conditions:

- (1) This device may not cause harmful interference
- (2) This device must accept any interference received. Including interference that may cause undesired operation.

WEEE Information

For EU (European Union) member users:

According to the WEEE Directive, do not dispose of this product as household waste or commercial waste. Waste electrical and electronic equipment should be appropriately collected and recycled as required by practices established for your country. For information on recycling of this product, please contact your local authorities, your household waste disposal service or the shop where you purchased the product.



- No part of this publication may be reproduced in any form by any means without the prior written permission. Other trademarks or brand names mentioned herein are trademarks or registered trademarks of their respective companies.
- Information in this document is subject to change without notice. The manufacturer does not make any representations or warranties (implied or otherwise) regarding the accuracy and completeness of this document and shall in no event be liable for any loss of profit or any commercial damage, including but not limited to special, incidental, consequential, or other damage.
- The manufacturer is not responsible for any radio or TV interference caused by unauthorized modifications to this equipment. Such modifications could void the user's authority to operate the equipment.