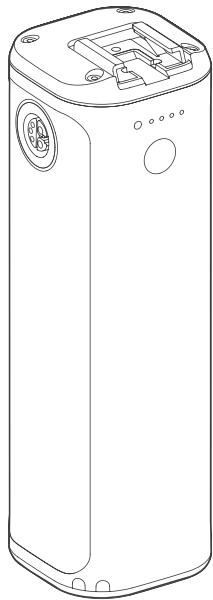


料号	705-PB1000-01
项目	PB1000 说明书
成品尺寸	成品尺寸: 80*130mm (展开 240*390mm)
公差	±2mm
材质	105g 哑粉纸
工艺	折页
颜色要求	单色印刷
其他	
包装结构	产品经理 梁
设计师	阳文娟
文案	吴水宁 伍青蕾

重要: 印刷可使用 PDF 转曲文件

印刷要求:

色相正确、印迹牢固、套印准确、各色套印不露杂色,
套印误差≤1mm, 模切走位≤±1mm



PB1000

佩宝闪光灯快充电源盒
PROPAC Lithium Power Pack

使用手册
Instruction Manual

温馨提示：说明书中线图均为示意图，仅供参考。由于产品不断更新与升级，产品实物与线图可能存在差异，请以实物为准。

连接线兼容表（连接线需另购）

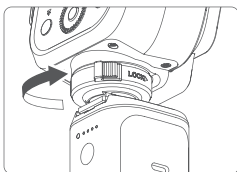
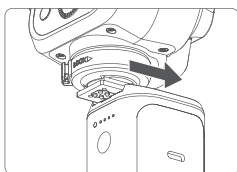
连接线型号	闪光灯型号
PB1000 Cx	佳能 600EX、430EZ、540EZ、550EX、580EX、580EX II 等原厂闪光灯及更多具备外接电源盒接口的原厂闪光灯；神牛 TT685II、V100、V1Pro、AD200ProII 等闪光灯及更多具备外接电源盒接口的神牛闪光灯
PB1000 Nx	尼康 SB910、SB28 EURO、SB28DX、SB80DX、SB800、SB900 等原厂闪光灯及更多具备外接电源盒接口的尼康原厂闪光灯
PB1000 Sx	索尼 HVL-F58AM 原厂闪光灯及更多具备外接电源盒接口的索尼原厂闪光灯

使用说明（以神牛 V100 为例）

1. 选购对应的 PB1000 电源连接线。

- 连接线 PB1000 Cx (佳能 / 神牛)
- 连接线 PB1000 Nx (尼康)
- 连接线 PB1000 Sx (索尼)

2. 关闭快充电源盒 PB1000 与闪光灯 V100 电源，将闪光灯 V100 平稳插入电源盒冷靴座后，逆时针转动闪光灯锁环直至锁定。



3

产品保修

尊敬的用户，本保修卡是申请保修服务的重要凭证，请您配合销售商填写并妥善保管，谢谢！

产品信息	型号	产品条码
用户信息	姓名	联系电话
	通信地址	
销售商信息	名称	
	联系电话	
	通信地址	
	销售日期	
备注		

注：此表应由销售商盖章确认。

适用产品

本文件适用于相关《产品保修资讯》（见后面说明）所列产品，其他非属此范围的产品或部件（如促销品、赠品及其他出厂后附加的部件等）不在此保修承诺内。

保修期

产品及部件的相应保修期按相关的产品保修信息执行。保修期自产品首次购买日起算，购买日以购买产品时保修卡登记日期为准。

如何获得保修服务

您可直接与产品销售商或授权服务机构联系，也可拨打神牛产品售后服务电话。与我们联系，由我们的服务人员为您安排服务。申请保修时，您应提供有效的保修卡作为保修凭证，方可获得保修。如您不能提供有效的保修卡，则在我们确认产品或部件属于保修范围的情况下，也可以为您提供保修，但这不作为我们的义务。

重要安全须知与注意事项

警告

- 本产品内部设有高压元器件，禁止擅自拆卸或维修，以免触电。
- 禁止儿童接触本产品。
- 禁止触摸接口和接口内的金属部分。
- 禁止在含有易燃气体、液体化学物质等易燃物的环境下使用本产品，有可能会引起火灾。
- 连接 / 断开连接线前，确保设备已关机，以免触电。
- 如果电池更换不当会有爆炸危险，只能用同样类型或等效类型的电池来更换，仅维修人员可更换，非一般人员更换。请勿拆卸产品或拆解电池。
- 电池不得暴露在诸如日照、火烤或类似过热环境中，产品不得淋雨、进水。
- 消费者若使用电源适配器充电，则应购买配套使用获得 CCC 认证并满足标准要求电源适配器。
- 电池禁止拆解、撞击、挤压或投入火中。若出现严重膨胀，请勿继续使用。请勿置于高温环境中。浸水后禁止使用。
- 使用时，应放置在易散热的地方，不要放置在床头、被褥上、包裹里或其他不易散热的环境中使用，避免婴幼儿接触玩耍，儿童请在成人指导下使用。

注意

- 产品内置锂电池，必须使用专用充电器充电，并按正确操作说明，在规定电压和温度范围内使用。
- 储存建议：储存前，将电池充放电至约 50% 电量；至少每 6 个月充电一次；储存温度在 0° C 至 40° C 范围内。
- 本设备不防水，请保持干燥，禁止浸入水中或其他液体中，应安装在通风干燥位置，避免在雨天、潮湿、多尘或过热环境中使用。
- 如发现快充电源盒充电过程中出现过度发热状态，应立即暂停充电；将快充电源盒放置于安全位置，观察无问题后方可继续使用。
- 如发现快充电源盒出现膨胀、漏液或有异味，应立即停止使用。
- 请避免跟金属物品进行接触，如钥匙、U 盘、指甲刀等物品，以免造成快充电源盒内部短路。
- 为确保设备正常运行，请避免将其放置于高温环境中，如密闭车内或阳光直射区域。

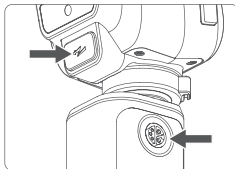
前言

感谢您购买神牛产品。

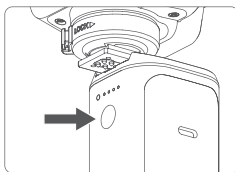
快充电源盒 PB1000，专为佳能、尼康、索尼、神牛等品牌闪光灯研发，通过另购连接线连接闪光灯，可大幅缩短闪光回电时间，显著增加闪光次数。此外，快充电源盒 PB1000 配备 USB-C 输入 / 输出接口，既能通过 USB-C 充电线快速充电，也能为手机、平板、耳机等数码设备供电。

1

3. 使用连接线 PB1000 Cx 分别连接快充电源盒的航空插座与闪光灯的外接电源盒接口。



4. 确保连接线安装牢固后，长按电源盒开关按键直至指示灯亮起，长按闪光灯 V100 电源按键直至屏幕亮起，旋转屏幕或旋钮开机。



4

USB-C 输入 / 输出接口

输入：通过 USB-C 充电线为快充电源盒充电，电量低时，请务必及时充电后方可使用或放置。

输出：通过 USB-C 充电线为手机 / 平板 / 耳机等数码产品充电。

注：航空插座与 USB-C 输出接口无法同时对外输出，若两个接口同时插入设备，仅 USB-C 接口具备输出功能。

电池电量显示

使用时请查看电量指示灯，随时掌握电量状态。

指示灯状态	剩余电量范围
4 灯常亮 ●●●●	>75%
3 灯常亮 ●●●○	55%~75%
2 灯常亮 ●●○○	30%~55%
1 灯常亮 ●○○○	10%~30%
1 灯闪烁 ●○○○	<10% (请立即充电)

注：低电量时请及时充满电，方可继续使用或放置。

不适用保修情况

如产品存在下列情况，本文件项下的保证和服务将不适用：①产品或部件超过相应保修期；②错误或不适当使用、维护或保管导致的故障或损坏，如：不当搬运；非按产品合理预期用途使用；不当插拔外接设备；跌落或外力挤压；接触或暴露于不当温度、溶剂、酸碱、水浸或潮湿环境；③由非神牛授权机构或人员安装、修理、更改、添加或拆卸造成的故障或损坏；④产品或部件原有识别信息被修改变更或删除；⑤无有效保修卡；⑥使用非合法授权、非标准或非公开发行的软件造成的故障或损坏；⑦因不可抗力或意外事件造成的故障或损坏；⑧其他非因产品本身质量问题导致的故障或损坏。遇上述情况，您应向相关责任方寻求解决，神牛对此不承担任何责任。因非在保修期或保修范围内的部件、附件或软件导致产品不能正常使用的，不是保修范围内的故障。产品使用过程中正常的褪色、磨损和消耗，不是保修范围内的故障。

产品保修和服务支持信息

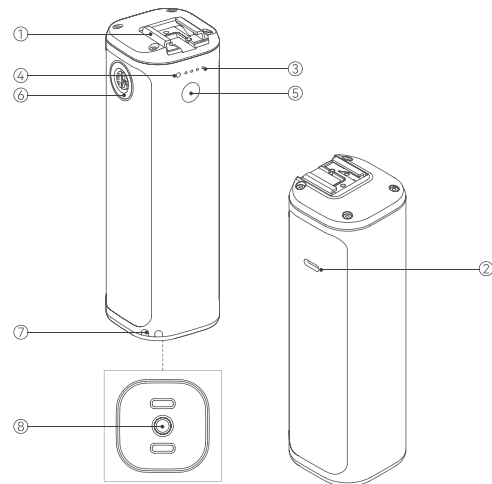
产品的保修期和服务类型按以下《产品保修信息》执行：

类别	名称	保修期(月)	保修服务类型
带电性能的	电路板	12	客户送修
部件			
其他	线材或其他包装	无	无保修

神牛产品售后服务电话：0755-29609320-8062

6

部件名称



1. 冷靴座
2. USB-C 输入 / 输出接口
3. 电量指示灯
4. 回电指示灯
(红灯：正在回电，绿灯：回电完成)
5. 开关按键（长按开机，短按关机）
6. 航空插座（通过连接线连接闪光灯）
7. 挂绳孔
8. 1/4" 螺丝孔

物品清单



快充电源盒 ×1



收纳袋 ×1



USB-C 充电线 ×1



说明书 ×1

2

闪光次数

下表列举各款闪光灯与 PB1000 搭配使用时，其对应的闪光次数，供您参考。

品牌	神牛				索尼	佳能	尼康
型号	AD200ProII	V100Pro	TT520III	TT685II	HVL-F60RM2	600EX-RT	SB-900
闪光次数	700 次	800 次	2600 次	1900 次	1600 次	1200 次	1200 次

特别说明

探测状态： 航空插座处于悬空状态（未插入连接线），长按开关按键开机，电量指示灯亮起，回电指示灯熄灭，表示进入探测状态；短按开关按键可关机，或等待 30 秒后自动关机。

工作状态： 连接机顶闪光灯后，长按开关按键开机，回电 / 电量指示灯均亮起，表示进入工作状态，短按开关按键可关机。

超温状态： 因内置温度传感器，当内部温度达到 90°C 时，航空插座将停止输出，此时请立即停用，待冷却后继续使用本产品。

注：确保本产品与机顶闪光灯处于连接状态，方可开机，若连接线未插好，禁止开机操作。

规格参数

名称	佩宝闪光灯快充电源盒
型号	PB1000
电池能量	DC14.4V 3300mAh 47.52Wh
航空插座	输出：300V \equiv 0.3A (Max.)
USB-C	输入：5V \equiv 3A, 9V \equiv 3A, 12V \equiv 2.5A, 15V \equiv 2A, 20V \equiv 1.5A 输出：5V \equiv 3A, 9V \equiv 3A, 12V \equiv 2.5A, 15V \equiv 2A, 20V \equiv 1.5A
充电时间（使用 PD30W 适配器）	约 2 小时 30 分钟
闪光灯回电时间（闪光灯 TT520III, 1/1 档）	约 1 秒
尺寸	44mm \times 143mm \times 44mm
净重	约 344g

设计和规格如有变更，恕不另行通知。

5

Important Safety Instructions Important Safety Instructions

Warning

- This product is equipped with high voltage components inside, unauthorized disassembly or maintenance is prohibited to avoid electric shock.
- Keep out of reach of children.
- It is prohibited to touch the interface and the metal parts inside the interface.
- It is prohibited to use this product in an environment containing flammable objects such as flammable gases, liquid chemicals, etc., which may cause a fire.
- Before connecting/disconnecting the connection cable, make sure the device is turned off to avoid electric shock.
- It is prohibited to disassemble, hit, crush the product or throw into fire.

Attention

- This product has built-in lithium batteries. Please use a dedicated charger to charge, and use them within the specified voltage and temperature range according to the correct operating instructions.
- Storage recommendations: Charge the battery to about 50% before storage. Charge it at least every six months. The storage temperature should be between 0°C and 40°C.
- This equipment is not waterproof, please keep it dry and do not immerse it in water or other liquids. The equipment should be installed in a dry and ventilated place, and avoid using it in rainy, humid, dusty or overheated environments.
- If it's overheated during the charging process, stop using immediately. Place the product in a safe location and observe that there are no problems before continuing to use it.
- In case of bulging, leaking or smelly, stop using immediately.
- Avoid contact with metal objects, such as keys, USB flash drives, nail clippers, etc., to avoid short-circuiting the internal parts of the case.
- To ensure normal operation of the device, avoid placing it in high-temperature environments, such as enclosed vehicles or areas exposed to direct sunlight.

7

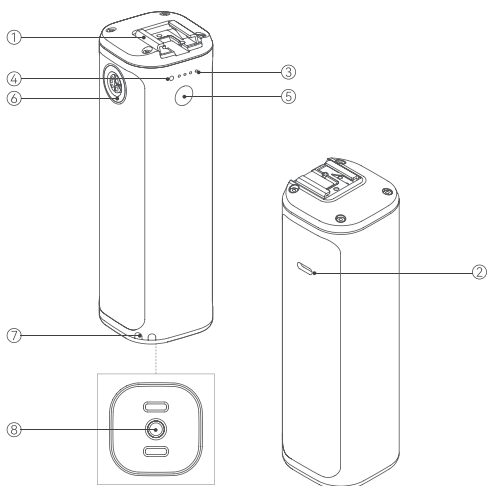
8

Foreword

Thank you for purchasing!

PROPAC lithium power pack PB1000 is specially designed for Canon, Nikon, Sony and Godox flashes. By connecting to the flashes with separately purchased connecting cable, it can significantly reduce the recycling time and increase the number of flashes. Furthermore, it's equipped with USB-C input and output ports, able to be charged through USB-C charging cable, or charge other devices such as phones, tablets and earphones.

Names of Parts



1. Cold Shoe Mount
2. USB-C Input/Output Port
3. Battery Level Indicator
4. Recycling Indicator (red: recycling, green: recycled)
5. Power Switch Button (press and hold to turn on, press to turn off)
6. Aviation Socket (connect to flash with power cable)
7. Lanyard Hole
8. 1/4" Screw Hole

9

10

11

USB-C Input/Output Ports

Input: Charge the power pack with the USB-C charging cable. Please make sure to charge it in time when the battery level is low before using or placing.
Output: Charge other devices such as phones, tablets and earphones with the USB-C charging cable.

Note: The aviation socket and USB-C output port cannot output simultaneously. If both ports are connected to devices at the same time, only the USB-C port will have output functionality.

Battery Level Indicators

Check the battery level indicators to see the remaining battery level.

Indicator Status	Battery Level
Four indicators are constant on ● ● ● ●	>75%
Three indicators are constant on ● ● ● ○	55% ~75%
Two indicators are constant on ● ● ○ ○	30% ~55%
One indicator is constant on ● ○ ○ ○	10% ~30%
One indicator flashes ● ○ ○ ○	< 10% (Please charge in time)

Note: When the battery level is low, please fully charge it in time before continuing to use or placing it.

Time of Flashes

Please refer to the time of flashes in the table below when different flash models using with PB1000

Brand	Godox				Sony	Canon	Nikon
Model	AD200ProII	V100Pro	TT520III	TT685II	HVL-F60RM2	600EX-RT	SB-900
Time of Flashes	700	800	2600	1900	1600	1200	1200

12

Warranty

Dear customers, as this warranty card is an important certificate to apply for our maintenance service, please fill in the following form in coordination with the seller and safe-keep it. Thank you!

Product	Model	Product Code Number
Information	Name	Contact Number
Customer	Address	
Information	Name	
	Contact Number	
Seller	Address	
Information	Date of Sale	
Note:		

Note: This form shall be sealed by the seller.

Applicable Products

The document applies to the products listed on the Product Maintenance Information (see below for further information). Other products or accessories (e.g. promotional items, giveaways and additional accessories attached, etc.) are not included in this warranty scope.

Warranty Period

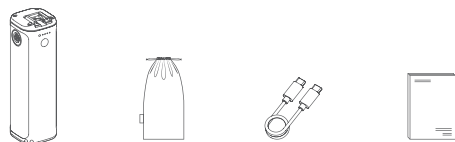
The warranty period of products and accessories is implemented according to the relevant Product Maintenance Information. The warranty period is calculated from the day (purchase date) when the product is bought for the first time. And the purchase date is considered as the date registered on the warranty card when buying the product.

How to Get the Maintenance Service

If maintenance service is needed, you can directly contact the product distributor or authorized service institutions. You can also contact the Godox after-sale service call and we will offer you service. When applying for maintenance service, you should provide valid warranty card. If you cannot provide valid warranty card, we may offer you maintenance service once confirmed that the product or accessory is involved in the maintenance scope, but that shall not be considered as our obligation.

15

What's Inside



Power Pack x1 Storage Bag x1 USB-C Charging Cable x1 Instruction Manual x1

Note: Due to continuous updates and upgrades of the products, there may be differences between the actual products and the pictures. Therefore, the pictures are for reference only, products to prevail in kind.

Compatible Power Cables (Sold Separately)

Power Cables	Flashes
PB1000 Cx	Canon flashes with external power box interfaces, such as 600EX, 430EZ, 540EZ, 550EX, 580EX, 580EX II, etc. Godox flashes with external power box interfaces, such as TT685II, V100, V1Pro, AD200ProII, etc.
PB1000 Nx	Nikon flashes with external power box interfaces, such as SB910, SB28 EURO, SB28DX, SB80DX, SB800, SB900, etc.
PB1000 Sx	Sony flashes with external power box interfaces such as HVL-F58AM.

Using Instructions (Take Godox V100 As An Example)

1. Choose the corresponding PB1000 power cable.

- PB1000 Cx – Canon/Godox
- PB1000 Nx – Nikon
- PB1000 Sx – Sony

Special Instructions

Detection status: When the cable is not plugged into the aviation socket, press and hold the power switch button to turn the device on, the battery level indicator lights up and the recycling indicator is off, then it's in detection status. Press the power switch button to turn off or automatically turn off after 30 seconds.

Working status: Connect the power pack to camera flash, press and hold the power switch button to turn it on, both the recycling indicator and the battery level indicator light up, then it's in working status. Press the power switch button again to turn off.

Over-temperature status: With the built-in temperature sensor, the aviation socket will stop outputting power when the internal temperature reaches 90°C. Please stop using immediately and wait for it to cool down before continuing to use.

Note: Please turn the power pack on only after making sure it's properly connected to camera flash. It's strictly forbidden to turn it on before the cable is not securely connected.

Technical Data

Product Name	PROPAC Lithium Power Pack
Model	PB1000
Battery Energy	DC1.4V 3300mAh 47.52Wh
Aviation Socket	Output: 300V ~ 0.3A (Max.)
USB-C	Input: 5V ~ 3A, 9V ~ 3A, 12V ~ 2.5A, 15V ~ 2A, 20V ~ 1.5A Output: 5V ~ 3A, 9V ~ 3A, 12V ~ 2.5A, 15V ~ 2A, 20V ~ 1.5A
Charging Time (with PD30W adapter)	Approx. 2h30min
Recycling Time (with TT520III at 1/1 step)	Approx. 1s
Dimension	1.73"×5.63"×1.73"
Net Weight	Approx. 344g

Specifications and data may subject to changes without notice.

13

Inapplicable Cases

The guarantee and service offered by this document are not applicable in the following cases: ①. The product or accessory has expired its warranty period; ②. Breakage or damage caused by inappropriate usage, maintenance or preservation, such as improper packing, improper usage, improper plugging in/out external equipment, falling off or squeezing by external force, contacting or exposing to the improper temperature, solvent, acid, base, flooding and damp environments, etc; ③. Breakage or damage caused by non-authorized institution or staff in the process of installation, maintenance, alternation, addition and detachment; ④. The original identifying information of product or accessory is modified, alternated, or removed; ⑤. No valid warranty card; ⑥. Breakage or damage caused by using illegally authorized, nonstandard or non-public released software; ⑦. Breakage or damage caused by force majeure or accident; ⑧. Breakage or damage that could not be attributed to the product itself. Once met these situations above, you should seek solutions from the related responsible parties and Godox assumes no responsibility. The damage caused by parts, accessories and software that beyond the warranty period or scope is not included in our maintenance scope. The normal discoloration, abrasion and consumption are not the breakage within the maintenance scope.

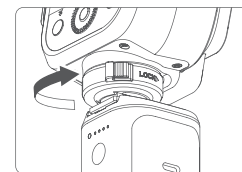
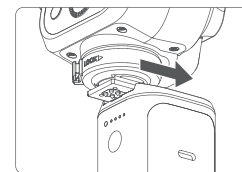
Maintenance and Service Support Information

The warranty period and service types of products are implemented according to the following Product Maintenance Information:

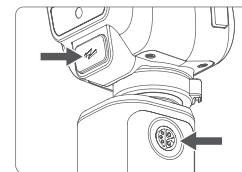
Product Type	Name	Maintenance Period(month)	Warranty Service Type
Parts with electrical properties	Circuit board	12	Customer sends the product to designated site
Other Items	Cable, or other packages, etc.	NO	Without warranty

Godox After-sale Service Call 0755-29609320-8062

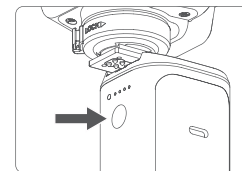
2. Power off PB1000 and V100, insert V100 into the cold shoe mount on the power pack firmly, then rotate anticlockwise the locking ring on the flash to lock.



3. Connect the aviation socket on the power pack with the external power box interface on the flash with power cable PB1000 Cx.



4. Confirm the cable is firmly connected, press and hold power switch button on the power pack until the indicator is on. Press and hold the power switch button on the flash until the screen is light up, then rotate the screen or the select dial to turn it on.



Declaration of Conformity

GODOX Photo Equipment Co.,Ltd. hereby declares that this equipment are in compliance with the essential requirements and other relevant provisions of Directive 2014/35/EU,2014/30 EU. They are allowed to be used in all EU member states. For more information of DoC, Please click this web link: <https://www.godox.com/eu-declaration-of-conformity/>

FCC Caution

This device complies with part 15 of the FCC Rules. Operation is subject to the following two conditions:

- (1) This device may not cause harmful interference, and
- (2) this device must accept any interference received, including interference that may cause undesired operation.

Any Changes or modifications not expressly approved by the party responsible for compliance could void the user's authority to operate the equipment.

IC Warning

This device complies with Industry Canada licence-exempt RSS standard(s). Operation is subject to the following two conditions:

- (1) This device may not cause interference, and
- (2) This device must accept any interference, including interference that may cause undesired operation of the device.

Le présent appareil est conforme aux CNR d'Industrie Canada applicables aux appareils radio exempts de licence. L'exploitation est autorisée aux deux conditions suivantes:

- (1) l'appareil ne doit pas produire de brouillage, et
- (2) l'utilisateur de l'appareil doit accepter tout brouillage radioélectrique subi, même si le brouillage est susceptible d'en compromettre le fonctionnement

合格证
QC PASS



Wechat
Official Account
神牛微信公众号

深圳市神牛摄影器材有限公司

地址: 深圳市宝安区福海街道塘尾社区福川工业区厂房2栋
电话: 0755-29609320(8062) 传真: 0755-25723423 邮箱: godox@godox.com

GODOX Photo Equipment Co., Ltd.

Add: Building 2, Yaochuan Industrial Zone, Tangwei Community, Fuhai Street, Bao'an District, Shenzhen 518103, China
Tel: +86-755-29609320(8062) Fax: +86-755-25723423
E-mail: godox@godox.com

www.godox.com

Made in China | 705-PB1000-01



16