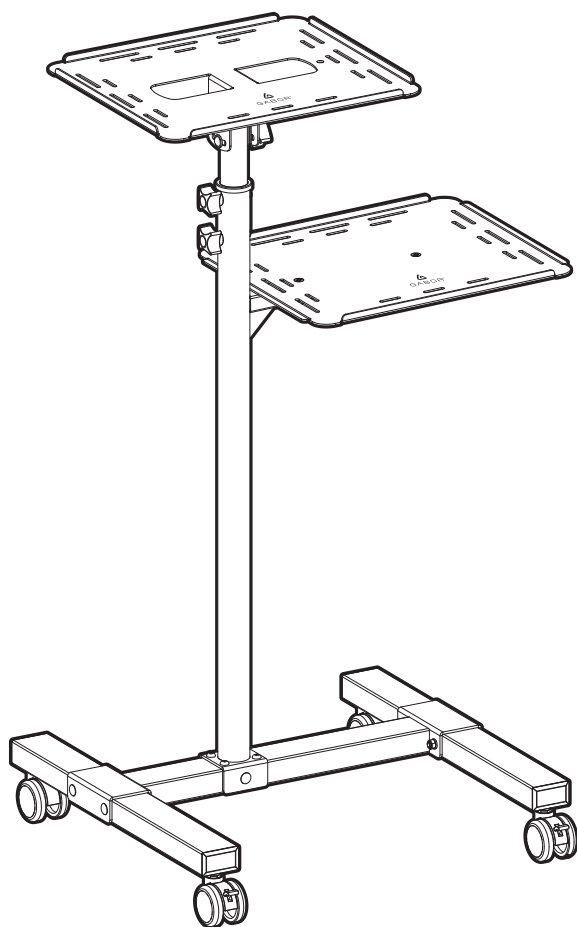




GABOR®

HAPS-10 / ADJUSTABLE PROJECTOR & LAPTOP STAND



User Manual

Thank you for choosing Gabor.

The Gabor Adjustable Projector & Laptop Stand is a rolling A/V station for your school or office. It features two work surfaces for placing a projector and a laptop and an adjustable riser that extends up to 19.6 inches. The top surface allows $\pm 15^\circ$ tilt for the ideal viewing angle and the second surface holds your laptop or tablet that supplies the video. Wheel the stand from room to room on the 2-inch casters and lock two of the casters down to keep the stand from moving.

Safety Warnings

- When assembling this product, be sure to refer to the instructions detailed in this manual; failure to follow the assembly instructions may void the product warranty.
- It is strongly recommended that this product be assembled by a qualified professional; Gabor takes no responsibility for any product damage or personal injury resulting from mishandling, faulty assembly, or improper use of this product.
- Do not use this product for any device other than what it is intended for; the exact specifications, size parameters, and weight limits are found both on the product box and in the instruction manual.
- Do not assemble or use the stand on structures that may be affected by vibrations or noticeable impacts; do not assemble or use near a heater, fireplace, or any other source of direct heat energy.
- This product may contain small parts which can pose a choking hazard; keep out of reach of children and pets.
- Excessive exposure to liquids may damage the finish of this product; when cleaning this product, use only a mild detergent solution and quickly wipe dry with a soft cloth.
- All images are for illustrative purposes only.

If you have safety concerns about installing this product, contact a qualified professional or installation contractor.

If this product is missing hardware or there are defective parts, visit www.madebygabor.com or call Customer Service at 212-594-2353.

Product Specifications

Max height:
57.3 in. (145.5 cm)

Min height:
37.7 in. (95.7 cm)

Max weight capacity:
44 lb. (20 kg)

Weight:
20.2 lb. (9.2 kg)

VESA mounting pattern:
200×200 to 800×500 mm

Material:
Steel

Base dimensions:
19.7×18 in. (50×45.7 cm)

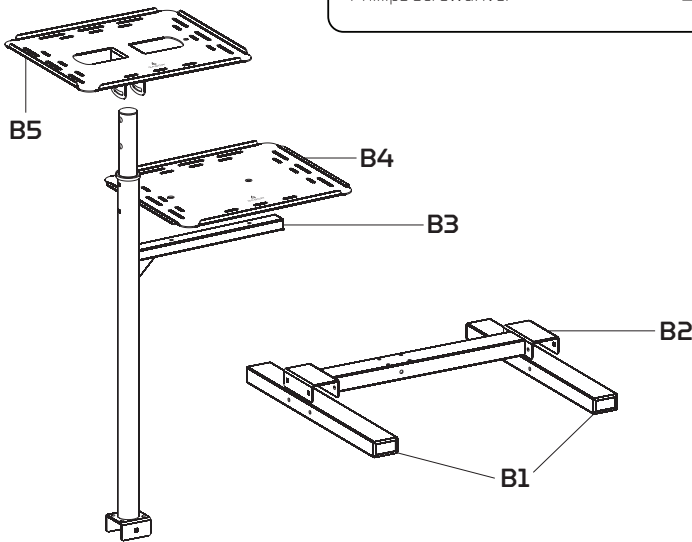
Caster size:
2 in. (5.1 cm)

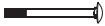













Media tray dimensions:
Side: 14.3×11.8 in. (36.3×30 cm)
Top: 13.8×11.8 in. (35×30 cm)

Media tray load capacity:
22 lb. (10 kg) each

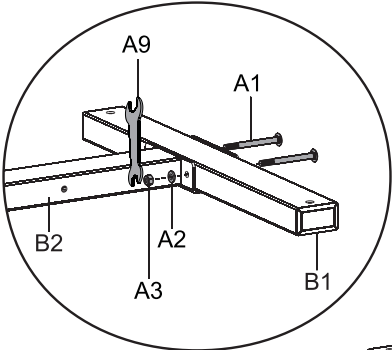
Parts List

Required tool:
Phillips screwdriver

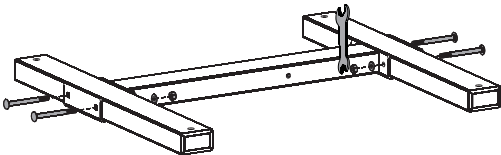


A1 5X  M6×65 mm	A2 9X 	A3 8X 	A4 4X 	A5 2X  M6×30 mm
A6 3X  M6×50 mm	A7 1X 	A8 1X  M6×50 mm	A9 1X 	A10 1X 
G1 2X 	G2 2X 	G3 3X 	G4 2X 	

Assembling the Base

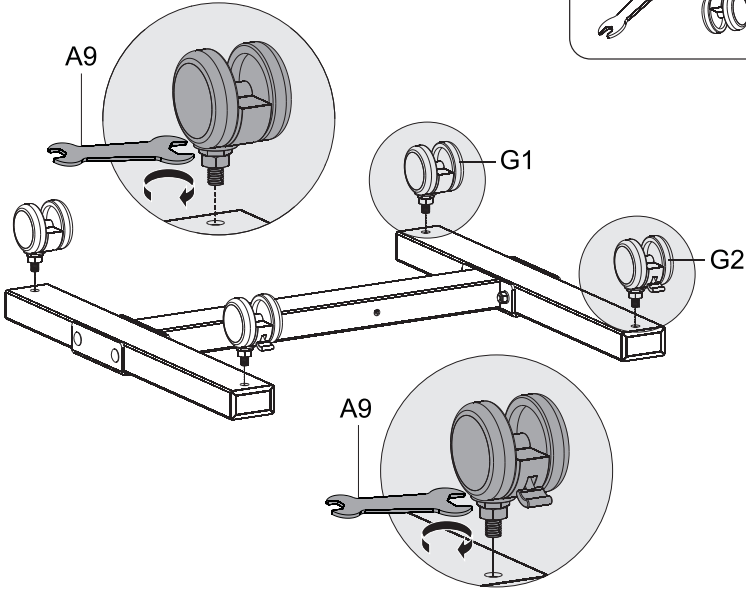


A1 4x	A2 4x	A3 4x	A9	B1 2x	B2
----------	----------	----------	----	----------	----

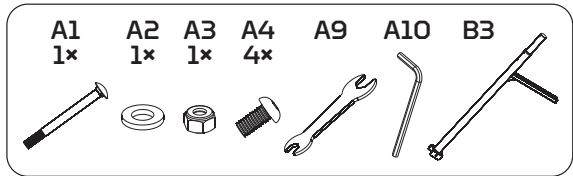


Installing the Casters

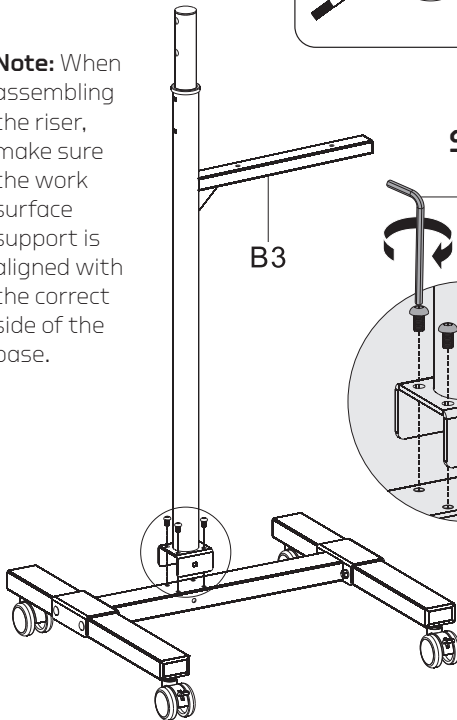
A9	G1 2x	G2 2x
----	----------	----------



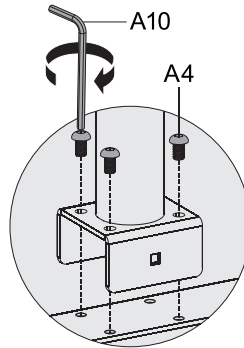
Assembling the Riser



Note: When assembling the riser, make sure the work surface support is aligned with the correct side of the base.



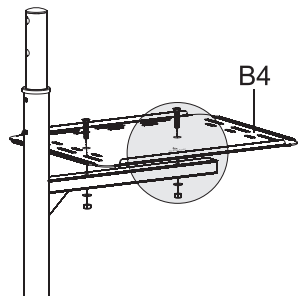
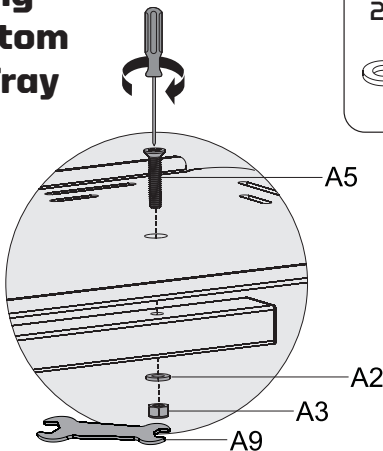
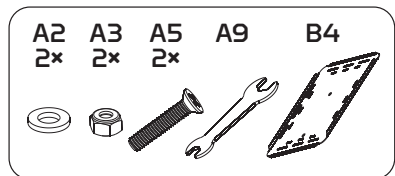
Step 1



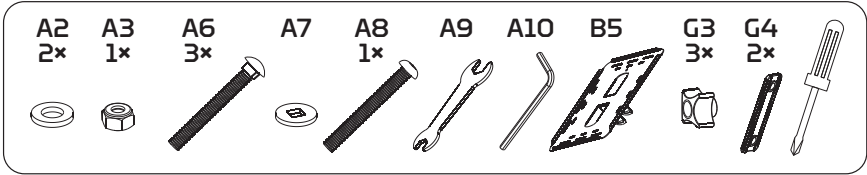
Step 2



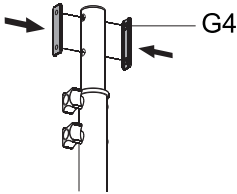
Installing the Bottom Media Tray



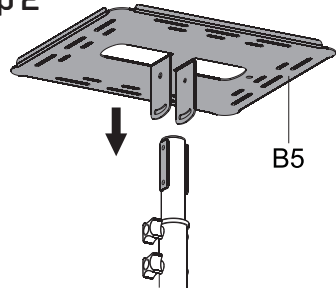
Installing the Top Media Tray



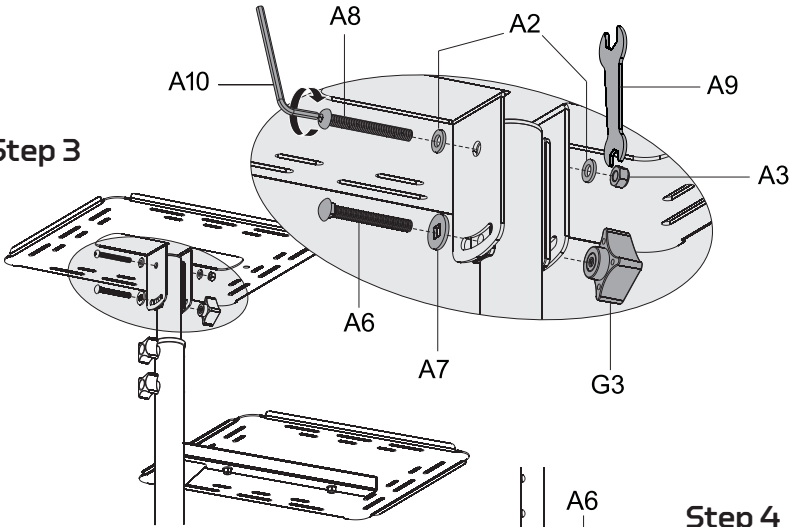
Step 1



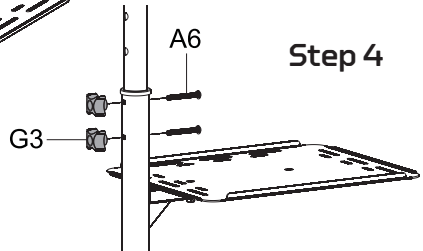
Step 2




Step 3



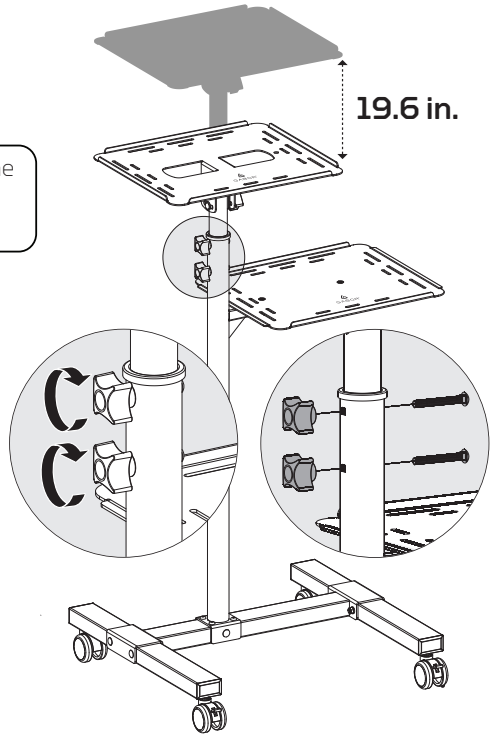
Step 4



Height Adjustment

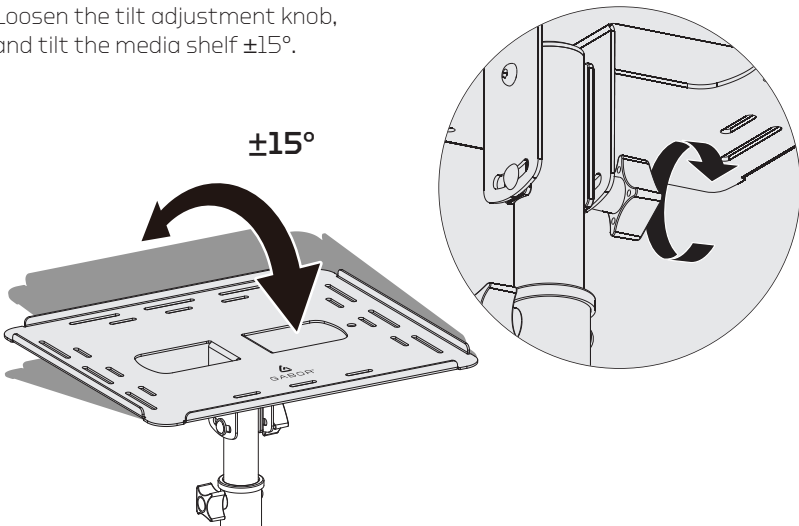
 **Warning!** Do not adjust the height with a projector or laptop on the media trays.

Loosen and remove both height adjustment knobs and screws from the riser, and adjust the riser's height. Reinsert the screws and tighten the knobs until secure.



Tilt Adjustment

Loosen the tilt adjustment knob, and tilt the media shelf $\pm 15^\circ$.



ONE-YEAR LIMITED WARRANTY

This GABOR product is warranted to the original purchaser to be free from defects in materials and workmanship under normal consumer use for a period of one (1) year from the original purchase date or thirty (30) days after replacement, whichever occurs later. The warranty provider's responsibility with respect to this limited warranty shall be limited solely to repair or replacement, at the provider's discretion, of any product that fails during normal use of this product in its intended manner and in its intended environment. Inoperability of the product or part(s) shall be determined by the warranty provider. If the product has been discontinued, the warranty provider reserves the right to replace it with a model of equivalent quality and function.

This warranty does not cover damage or defect caused by misuse, neglect, accident, alteration, abuse, improper installation or maintenance. EXCEPT AS PROVIDED HEREIN, THE WARRANTY PROVIDER MAKES NEITHER ANY EXPRESS WARRANTIES NOR ANY IMPLIED WARRANTIES, INCLUDING BUT NOT LIMITED TO ANY IMPLIED WARRANTY OF MERCHANTABILITY OR FITNESS FOR A PARTICULAR PURPOSE. This warranty provides you with specific legal rights, and you may also have additional rights that vary from state to state.

To obtain warranty coverage, contact the Gabor Customer Service Department to obtain a return merchandise authorization ("RMA") number, and return the defective product to Gabor along with the RMA number and proof of purchase. Shipment of the defective product is at the purchaser's own risk and expense.

For more information or to arrange service, visit www.madebygabor.com or call Customer Service at 212-594-2353.

www.MADEBYGABOR.COM

Product warranty is provided by the Gradus Group.

www.gradusgroup.com

Gabor is a registered trademark of the Gradus Group.

© 2025 Gradus Group LLC. All Rights Reserved.

