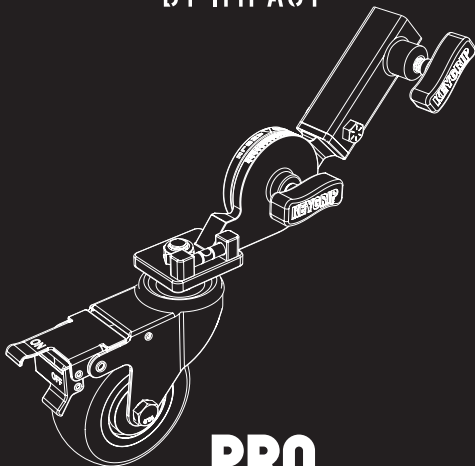


# KEYGRIP

BY IMPACT



# PRO VARI-ANGLE 4" CASTER SET

WITH 1" RECEIVER

# Thank you for choosing KeyGrip.

The KeyGrip SA-PVA4CS-26 casters are precision manufactured to exact standards and specifications for video, photo, and cinematography applications. They are robust, uniquely designed aluminum and steel stand accessories that will add mobility to any professional light stand with one-inch square leg tubing. Thick rubber 4-inch casters are angle-adjustable so they can match any leg angle and securely carry maximum loads on a wide variety of baby, combo, and slider stands.

Each caster features an integrated bubble level for rapidly leveling the caster so it's level with the floor. An engraved angle scale with 5-degree increments lets you note your adjusted caster angle to easily and precisely set the same angle on the other two casters. Spring-loaded 5° rosettes ensure matching angles and solid locking that won't twist or change, regardless of the load mounted on the stand.

# Precautions

- Please read and follow these instructions, and keep this manual in a safe place.
- Make sure all attachment screws are tight and secure before proceeding.
- Make sure the square 1 in. receivers are mounted securely on the legs.
- Make sure wheel angles are locked before loading the stand.
- Make sure all wheel angles match.
- Make sure all wheels are level.
- Beware of large gaps or uneven surfaces that can topple the stand once it starts moving.
- Always use sandbags for extra stability.
- Make sure that this product is intact and that there are no missing parts.
- All images are for illustrative purposes only.

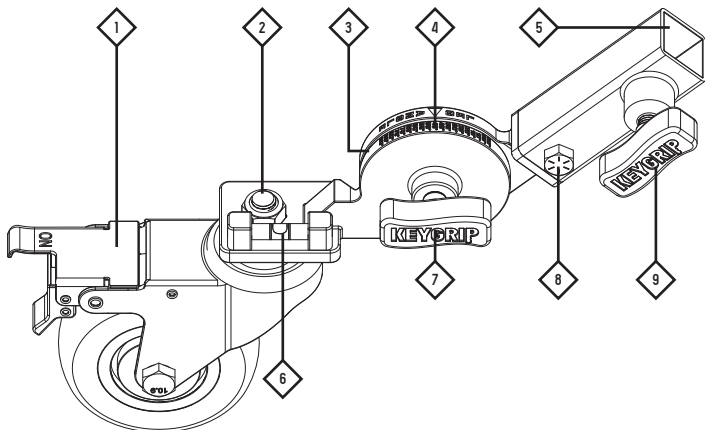
# Specifications

## SA-PVA4CS-26

<b>Caster Size</b>	4 in. (10.2 cm)
<b>Receiver Diameter</b>	1 × 1 in. (27 × 27 mm)
<b>Locking Wheels</b>	Yes
<b>Angle Adjustment</b>	0° to 90° (in 5° increments)
<b>Compatibility</b>	Professional light stands with 1 in. square tubing
<b>Material</b>	Steel, aluminum
<b>Dimensions (L × W × D)</b>	9.9 × 5.3 × 2.6 in. (25.2 × 13.5 × 6.5 cm)
<b>Weight</b>	3.5 lb. (1.59 kg) each 10.5 lb. (4.76 kg) set of 3

# Overview

1. Caster brakes
2. Caster plate bolt
3. Angle rosettes
4. Angle scale
5. 1-inch receiver
6. Bubble level
7. Angle lock
8. Receiver bolt
9. Leg Lock



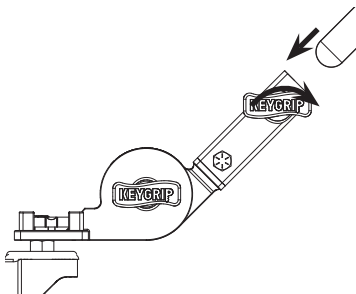
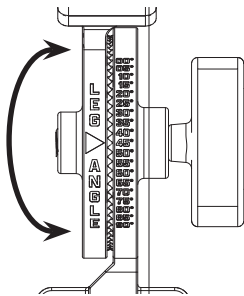
# Setting Up the Casters

## Mounting the Casters

The vari-angle casters are compatible with any professional light stand with one-inch square leg tubing.

Mount the casters and adjust their angles before you mount any equipment onto the light stand.

1. Set up the light stand at the preferred height and make sure all leg locks are tightly secured.
2. Set the approximate angle for each caster as a starting point.
3. Loosen the locking handle and slide the light stand's legs into the caster's receiver.
4. Tighten the leg lock until secure.

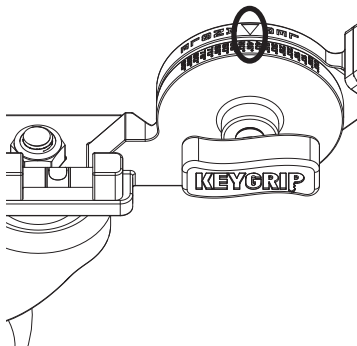
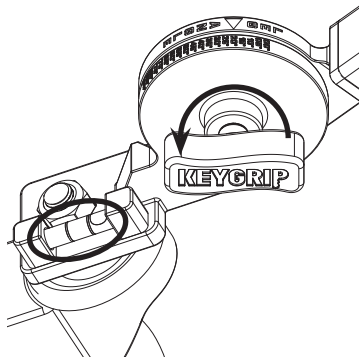


**Important!** Mount all three casters to the light stand before proceeding to Adjusting the Caster Angle below.

## Adjusting the Caster Angle

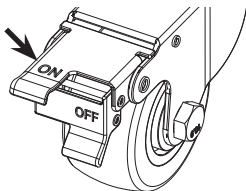
Once all casters have been mounted and secured to the light stand, adjust the caster angles one at a time.

1. Loosen the angle lock on the first caster and adjust the angle until the bubble level is as close to centered as possible, then tighten the angle lock before proceeding.
2. Note the angle degree on the angle scale and set the other two casters to the same angle.

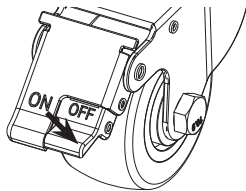


# Operating the Caster Brakes

Step on the left **On** side to lock the wheels.



Step on the right **Off** side to unlock the wheels.



**Important!** Make sure the casters are locked when the stand is on an uneven or sloped surface.

# One-Year Limited Warranty

This KEYGRIP by Impact product is warranted to the original purchaser to be free from defects in materials and workmanship under normal consumer use for a period of one (1) year from the original purchase date or thirty (30) days after replacement, whichever occurs later. The warranty provider's responsibility with respect to this limited warranty shall be limited solely to repair or replacement, at the provider's discretion, of any product that falls during normal use of this product in its intended manner and in its intended environment. Inoperability of the product or part(s) shall be determined by the warranty provider. If the product has been discontinued, the warranty provider reserves the right to replace it with a model of equivalent quality and function.

This warranty does not cover damage or defect caused by misuse, neglect, accident, alteration, abuse, improper installation or maintenance. EXCEPT AS PROVIDED HEREIN, THE WARRANTY PROVIDER MAKES NEITHER ANY EXPRESS WARRANTIES NOR ANY IMPLIED WARRANTIES, INCLUDING BUT NOT LIMITED TO ANY IMPLIED WARRANTY OF MERCHANTABILITY OR FITNESS FOR A PARTICULAR PURPOSE. This warranty provides you with specific legal rights, and you may also have additional rights that vary from state to state.

To obtain warranty coverage, contact the Impact Customer Service Department to obtain a return merchandise authorization ("RMA") number, and return the defective product to Impact along with the RMA number and proof of purchase. Shipment of the defective product is at the purchaser's own risk and expense.

For more information or to arrange service, visit [www.impactstudiolighting.com](http://www.impactstudiolighting.com) or call Customer Service at 212-594-2353.

Product warranty provided by the Gradus Group.

[www.gradusgroup.com](http://www.gradusgroup.com)

KeyGrip and Impact are registered trademarks of the Gradus Group.  
© 2025 Gradus Group LLC. All Rights Reserved.

