

impact[®]

Wall Plates



SRP-115P

SRP-116P

SRP-117P

SRP-119P

SRP-120W

SRP-122P

SRP-123P

WP-CP

Introduction

Thank you for choosing Impact.

The Impact SRP Wall Plates mount to any flat surface and can be used for a variety of mounting applications. You can use a wall plate as a low stand by attaching it to the floor or an apple box and mounting a fixture directly onto the stud or receiver. Wall plates take up less room than tripod legs, so you can fit them into tight spaces where stands or clamps don't fit. You can also use them for wall mounting or other hard-to-reach areas. All of Impact's wall plates are constructed with heavy-duty chrome steel for strength and durability.

All wall plates have eight anchor points, and all baby-pin wall plates have a small hole for a safety cable (not included).

SRP-115P, 116P, and 117P Wall Plates feature straight welded steel baby pins with lengths of 3, 6, and 9 inches respectively.

SRP-119P has a baby pin set at a right angle on a 5-inch extension.

SRP-120W incorporates a baby pin on an etched steel ball with a 360-degree rotating swivel for placing your light at any position.

SRP-122P features a 1 $\frac{1}{8}$ -inch (28 mm) junior pin receiver that offers a variety of flat-surface or wall mounting options.

SRP-123P is equipped with a 5/8-inch baby receiver that gives you the option of using the plate as a small speaker or monitor platform, as well as a low stand.

WP-CP Features a 3-inch baby pin set upward at a 30-degree angle. This is an ideal mount for lights with barndoors because the offset angle of the baby pin will not interfere with barndoor adjustment.

Scan for a complete listing of our studio equipment or visit www.ImpactStudioLighting.com/se

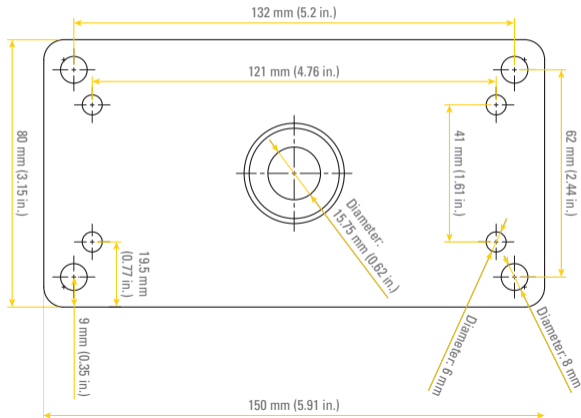


Precautions ⚠️

- Do not attempt to disassemble or repair the equipment—doing so will void the warranty, and Impact Studio Lighting will not be responsible for any damage.
- Handle the units with care.
- Clean the units with only a soft dry cloth.
- Keep these units away from children.
- Make sure everything is secure before proceeding.
- Make sure the items are intact and that there are no missing parts.
- Always use a steel safety cable (not included) when suspending a light fixture or other assembly.
- All images are for illustrative purposes only.

4

Plate Dimensions



Specifications

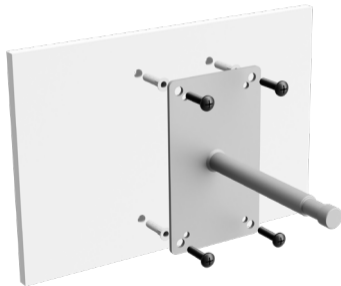
	SRP-115P	SRP-116P	SRP-117P	SRP-119P	SRP-120W	SRP-122P	SRP-123P	WP-CP
Stud size	5/8 in. (16 mm)	5/8 in. (16 mm)	5/8 in. (16 mm)	5/8 in. (16 mm)	5/8 in. (16 mm)	—	—	5/8 in. (16 mm)
Receiver size	—	—	—	—	—	1 1/8 in. (28 mm)	5/8 in. (16 mm)	—
Stud length	3 in. (7.6 cm)	6 in. (15.2 cm)	9 in. (22.8 cm)	5+3 in. (12.7+7.6 cm)	7 in. (17.8 cm)	4.5 in. (11.4 cm)	—	3 in. (7.6 cm)
Weight	1 lb. (454 g)	1.25 lb. (584 g)	1.6 lb. (726 g)	1.5 lb. (680 g)	2.16 lb. (981 g)	1.65 lb. (748.4 g)	1.25 lb. (567 g)	1 lb. (468 g)

Universal Specs: Base dimensions approximately 6 × 3.5 in. (15.2 × 8.9 cm)

Material: Chrome steel

Installation Instructions

1. Use the wall plate to mark the position of the mounting holes on the wall.
2. Drill holes in the marked locations. Make appropriately sized holes for the wall anchors, molly bolts, or toggle bolts. If you're using wall anchors, tap the anchors into the holes.
Note: Many wall anchors and molly bolts are self-tapping and don't require a drill for installation.



3. Put the plate against the wall, and insert screws (for all anchors), molly bolts, or toggle bolts through the holes, and fasten them until they're fully tightened and the plate is secure.

Note: When screwing the plate directly into a wall stud, make sure at least two of the side screws are attached to the stud.



One-Year Limited Warranty

This Impact product is warranted to the original purchaser to be free from defects in materials and workmanship under normal consumer use for a period of one (1) year from the original purchase date or thirty (30) days after replacement, whichever occurs later. The warranty provider's responsibility with respect to this limited warranty shall be limited solely to repair or replacement, at the provider's discretion, of any product that fails during normal use of this product in its intended manner and in its intended environment. Inoperability of the product or part(s) shall be determined by the warranty provider. If the product has been discontinued, the warranty provider reserves the right to replace it with a model of equivalent quality and function.

This warranty does not cover damage or defect caused by misuse, neglect, accident, alteration, abuse, improper installation or maintenance. EXCEPT AS PROVIDED HEREIN, THE WARRANTY PROVIDER MAKES NEITHER ANY EXPRESS WARRANTIES NOR ANY IMPLIED WARRANTIES, INCLUDING BUT NOT LIMITED TO ANY IMPLIED WARRANTY OF MERCHANTABILITY OR FITNESS FOR A PARTICULAR PURPOSE. This warranty provides you with specific legal rights, and you may also have additional rights that vary from state to state.

To obtain warranty coverage, contact the Impact Customer Service Department to obtain a return merchandise authorization ("RMA") number, and return the defective product to Impact along with the RMA number and proof of purchase. Shipment of the defective product is at the purchaser's own risk and expense.

For more information or to arrange service, visit www.impactstudiolighting.com or call Customer Service at 212-594-2353.

Product warranty provided by the Gradus Group.

www.gradusgroup.com

Impact is a registered trademark of the Gradus Group.

© 2026 Gradus Group LLC. All Rights Reserved.

