



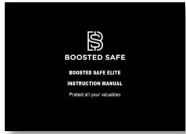
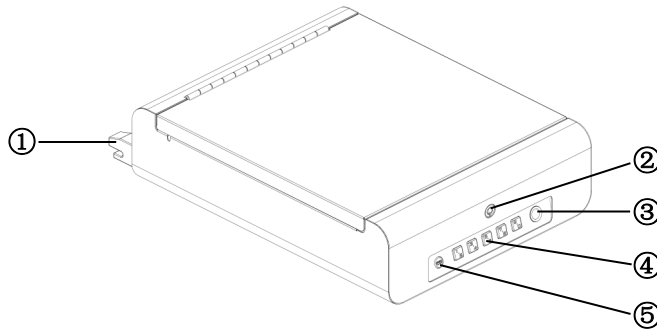
BOOSTED SAFE

BOOSTEDSAFE ELITE

INSTRUCTION MANUAL

Everyone Deserves to Be Safe

BOX CONTENTS



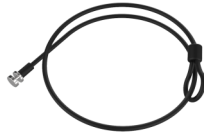
⑥

① ISOFIX Connections



⑦

② Key Hole



⑧

③ Biometric Scanner



⑨

④ Keypad



⑩

⑤ Emergency Power Port

⑥ BoostedSafe Elite Instruction

⑦ Override Keys

⑧ Safety Cable

⑨ Cover

⑩ Silicone Wristband

WARNINGS

As a firearms owner, you are responsible for ensuring that children and other unauthorized individuals cannot access your guns at home. Please follow the following safety measures before using this unit.

DO NOT LOSE THE OVERRIDE KEYS OR PUT THEM IN THE SAFE.

DO NOT expose the safe to extreme low/high temperatures as it may affect battery life.

DO NOT store loaded guns in this unit. Firearms can be dangerous and must be handled with respect.

REGULARLY confirm whether the door is fully locked and check the battery level.

DISCLAIMERS

NEITHER SELLER NOR MANUFACTURER SHALL BE LIABLE FOR UNAUTHORIZED ACCESS, ANY INJURY, LOSS OR DAMAGE TO PERSONAL PROPERTY DIRECT OR CONSEQUENTIAL, DUE TO THE USE OF, OR INABILITY TO USE THE BOOSTEDSAFE®.

THE USER SHALL DETERMINE THE SUITABILITY OF THE BOOSTEDSAFE® BEFORE THE INTENDED USE AND USER ASSUMES ALL RISK AND LIABILITY WHATSOEVER IN CONNECTION THEREWITH, BOOSTEDSAFE® ARE NOT INTENDED TO PROTECT AGAINST ENVIRONMENTAL HAZARDS INCLUDING FIRE AND WATER.

Be sure and follow all local and state firearm laws.

DO NOT operate a firearm without proper training and experience.

BATTERY INSTALLATION

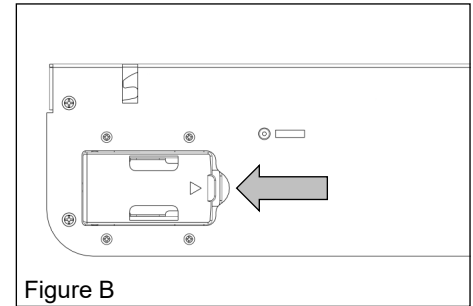
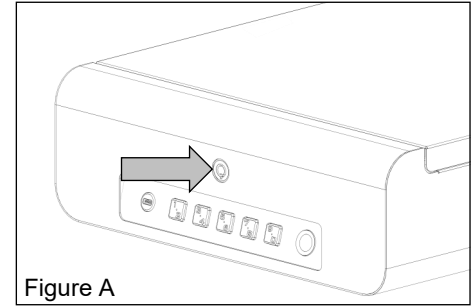
1. Insert one of your override keys into the lock hole in front of the safe, and turn it counterclockwise to open the safe (Figure A).
2. Locate the battery compartment cover on the inside of the safe directly behind the keypad (Figure B).
3. Open the battery cover and insert 4 x **AA alkaline** batteries (not included) in to the battery compartment.
4. Repeat above steps for battery replacement.

Battery Warnings

1. **Please use quality batteries to ensure the complete functionality of the safe.**
2. **Do not expose the safe to extreme low/high temperatures.**
3. **When the power is running low, the light ring will turn yellow, and batteries need to be replaced soon.**
3. **Exhausted batteries should be removed from product and properly disposed.**

ATTENTION:

- BOOSTEDSAFE® will automatically lock when you completely close the door. Be careful not to leave the keys in the safe.
- If the safe has not been opened in a long time, the next opening will be slow, this is normal. Subsequent openings will be at normal speed.



MASTER CODE PROGRAMMING

After receiving the safe, you need to set your own master code as soon as possible to prevent unauthorized access to your safe.

TIPS: Code Requirements

- Your code can be 4-8 digits long.
- Two buttons cannot be pressed simultaneously.
- Programming a new code will overwrite the previous code.

1 Enter factory default code **1-2 - 3-4 - 5-6 - 7-8** to open the safe.

2 After opening the safe, locate and press the “**Learn**” button (1 second), the light ring will turn green with one beep (Figure C).

Note: The “**Learn**” button is located below the LED light.

3 Enter your **NEW** master code. Press the “**Learn**” button (1 second) to confirm, the light ring will flash green three times with the three beeps, indicating that the new master code has been successfully set.

4 If the light ring flashes red three times with three beeps, it indicates that the new master code setting has failed, simply start over with step 2.

5 Verify your master code **3-5** times. The safe motor should cycle after each correct code read.

Please keep your master code in a safe place.

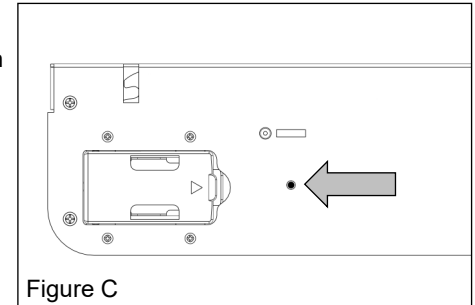
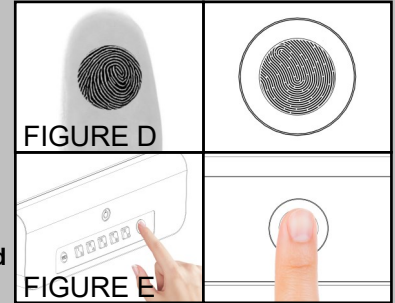


Figure C

FINGERPRINTS REGISTERING

ATTENTION:

- Up to 50 fingerprints can be stored.
- Keep your finger clean when registering fingerprints.
- Keep the core of the fingerprint flat (Figure D+E) over the center of the scanner.
- Adjust your finger slightly between scans for increased accuracy.
- If your fingerprints are difficult to identify, register the same finger 4-5 times for increased accuracy.



1 Open the BoostedSafe using the previously set master code.

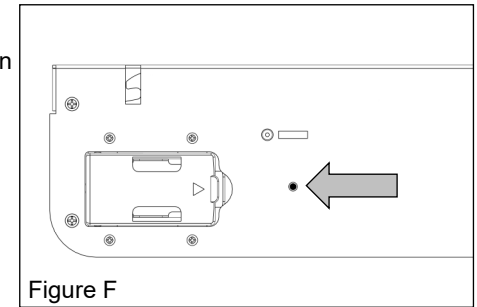
2 After opening the safe, locate and press the “Learn” button (1 second), the light ring will turn green with one beep (Figure F).

Note: The “Learn” button is located below the LED light.

3 Place your finger on the biometric scanner and scan it 4 times. Every scan will end with a green flashing and one beep. The last scan will end with a long beep and a green flashing once, indicating that the new fingerprint has been successfully registered.

4 If the light ring flashes red three times with three beeps, it indicates that the new fingerprint registering has failed, simply start over with step 2.

5 Verify the registered fingerprint 3-5 times. The safe motor should cycle after each correct fingerprint read.



DELETE THE REGISTERED FINGERPRINTS

- 1 Hold the “**Learn**” button (**3 second**), the light ring will flash green three times with three beeps.
- 2 Now all registered fingerprints are deleted.

OPEN SAFE BY FINGERPRINT

Place a previously registered finger onto the scanner to open the safe.

Note:

- Keep your finger clean when identifying fingerprints.
- When a correct fingerprint is read, the green light will turn on with one beep and the door should open.
- If an incorrect is read, the red light will flash and beep 3 times.
- After 5 incorrect entries, the red light will flash with beep, and the safe will be disabled for 2 minutes.

OPEN SAFE BY MASTER CODE

Enter the previously programmed **4-8** digital code to open the safe.

Note:

- The first button pressed will both wake the safe and register as the first entered number in the code.
- When a correct code is entered, the green light will turn on and beep once and the door should open up.
- If an incorrect entries, the red light will flash and beep 3 times.
- After 5 incorrect entries, the red light will flash with beep, and the safe will be disabled for 2 minutes.

LOCK-DOWN SYSTEM

After 5 incorrect inputs (fingerprint scanning or code entry). The safe will activate lock-down mode, the red light will flash with beeps, and the safe will be disable for 2 minutes. After 2 minutes, the safe will automatically resume normal operation. You can unlock the safe by opening it with your keys and unload the battery to reset lock-down mode.

You can disable alarm mode by:

- 1 Scanning a registered fingerprint.
- 2 Opening the safe with the override key and removing the batteries.

SILENCE MODE SETTING

To mute the sound of the safe, hold the digit “1•2” on the keypad for 3 seconds until the light ring flash three times with three beeps (Figure G).

Note:

*Silent mode is **unavailable** during programming process and alarm mode.*

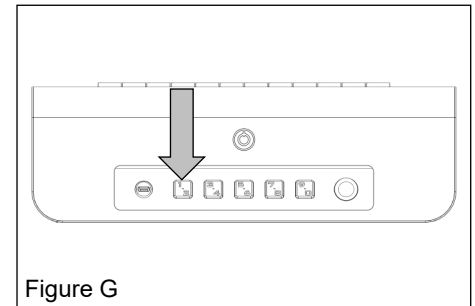


Figure G

EMERGENCY OUTLET

The emergency outlet is located on the left side of the keypad (FIGURE H).

You can use a USB-C cable (not included) to provide back up power if the batteries die.

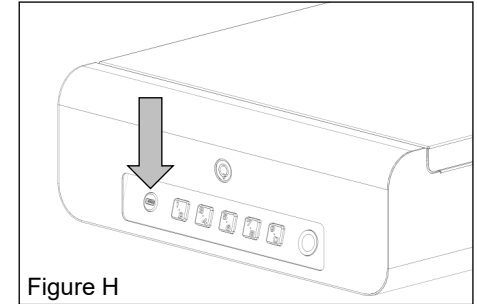


Figure H

LOW BATTERY WARNING

When there is a power shortage, the light ring will turn **yellow** (FIGURE I).

The battery should be replaced immediately to ensure proper function.

Note: This item contains a memory chip, and the master-code and biometric protection will never be lost due to loss of power.

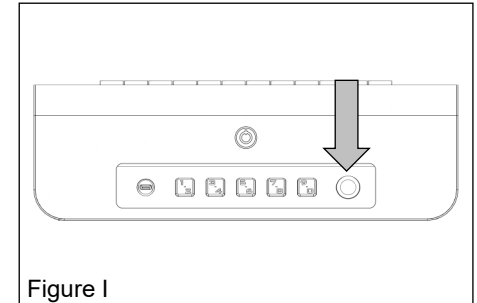


Figure I

ADJUST YOUR ISOFIX CONNECTIONS

Find the ISOFIX connection points in your back seat.

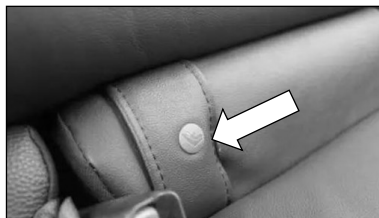
Note: Sometimes you will find them near buttons with this logo.



Confirm the type of your ISOFIX connection points:



Exposed Type



Hidden Type



Embedded Type

Fixed position of ISOFIX connections :

Note: The factory default position is **B** (FIGURE J).

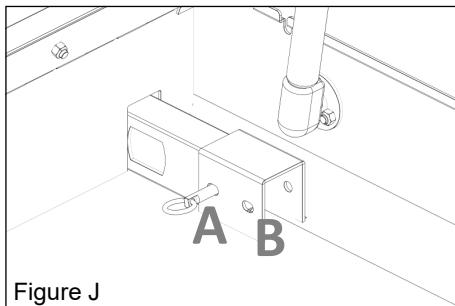


Figure J

Type of connection points	Fixed position of connections
Exposed Type	B
Hidden Type	A
Embedded Type	B
With Seat Cushion	A

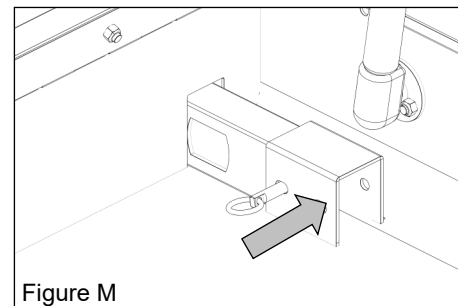
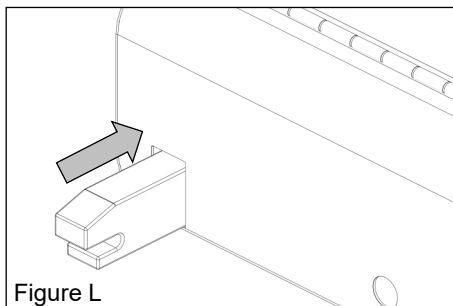
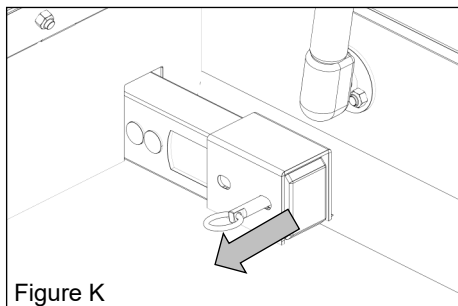
TO ADJUST POSITION OF YOUR CONNECTIONS

Note: The factory default position is **B**.

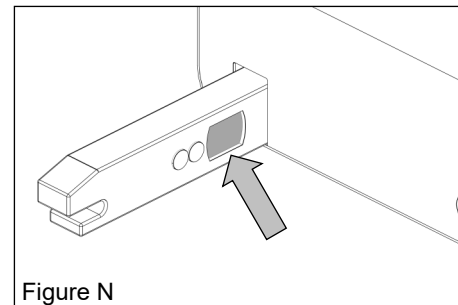
Adjust position B to position A:

1 Fix the ISOFIX connection with your finger and forcefully pull out the pin from hole **B**, then unplug the connection inward (Figure K-M).

2 Insert the ISOFIX connection into the safe from the outside, then insert the pin from hole **A**.



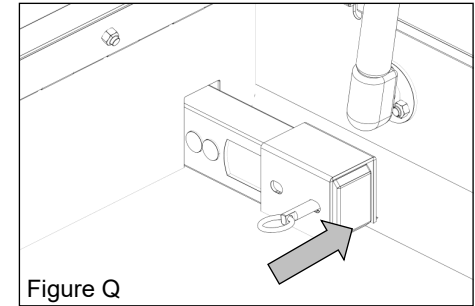
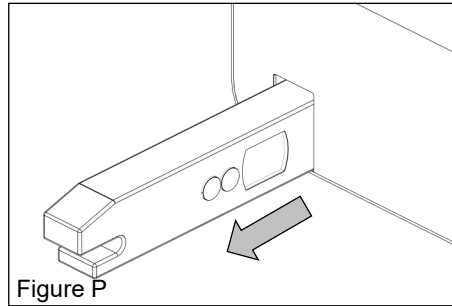
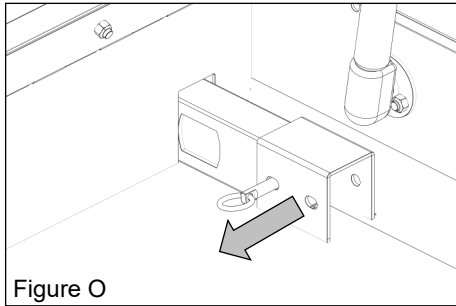
Note: When inserting the ISOFIX connection from the outside, make the **Red Clip** lower than the connection plane (Figure N).



TO ADJUST POSITION OF YOUR CONNECTIONS

Adjust position A to position B:

- 1 Forcefully pull out the pin from hole **A**, then unplug the connection outward (Figure O-P).
- 2 Insert the ISOFIX connection into the safe from the inside, then insert the pin from hole **B** (Figure Q).



Note: If you feel difficulty inserting the pin into hole **B**, please gently shake the connection left and right while inserting the pin.

INSTALLATION FOR BOOSTEDSAFE

To install BoostedSafe:

Find the ISOFIX connection points in your back seat.

Note: Sometimes you will find them near buttons with this logo.



- 1 Push the ISOFIX connections on the back of the safe into the connection points until you hear both of them click. This means the safe is installed successfully and ready for use.
- 2 Before closing the safe, tug each side to ensure secure attachment to both ISOFIX connection points.

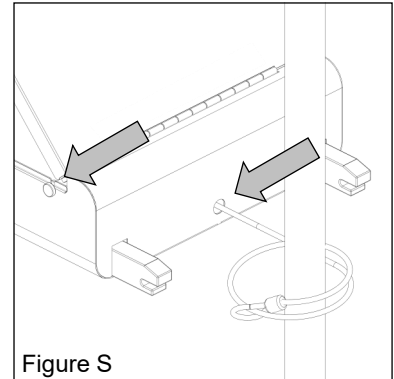
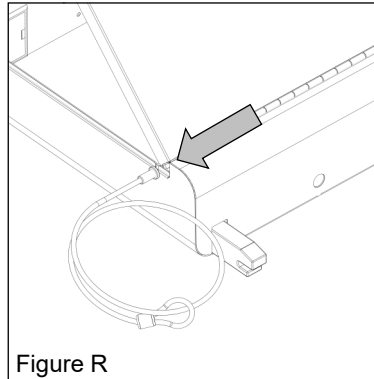
To uninstall BoostedSafe:

- 1 Open the safe and find the red clips on both ISOFIX connections.
- 2 Pull back on the red clips, when you hear the click this means the safe is uninstalled successfully.

SECURING BOOSTEDSAFE

Securing BoostedSafe using Loop Cable:

- 1 Loop the security cable around a secured object.
- 2 Pass the end of the cable through the eyelet at the other end and pull it tight around the object.
- 3 Place the end of the security cable inside the fully enclosed cable mount inside your safe (Figure R-S).
- 4 Make sure that the safe closes with the cable secured inside the cable mount.



TROUBLE SHOOTING

Q: I am unable to install the safe on the seat.

A: 1 Please check if the connections are open.

2 Adjust the position of the connections from **B** to **A**.

3 Remove the fabric cover.

Q: Fingerprint scanner works sometimes and not others.

A: 1 Please refer to the method to increase the success rate of fingerprints on page **5** of our manual.

2 Replace with new **AA alkaline** batteries.

Q: Unable to change the master code.

A: Confirm to locate the “**Learn**” button, which is located below the LED light., and the recording interval needs to be within **7s**.

Q: The keypad is not responding.

A: Please replace new **AA alkaline** batteries and reset the master code. If this issue persists, please contact us for assistance via www.boostedsafe.com/pages/contact.

Q: The door cannot be closed or opened.

A: If the safe has not been opened in a long time, the next opening will be slow, this is normal. Subsequent openings will be at normal speed. Please try again after using the emergency outlet to power the safe or replacing with the new alkaline batteries.

Q: Fingerprint scanner, keypad and lights are not responding.

A: Please replace with new **AA alkaline** batteries and ensure that the positive and negative electrodes are not reversed.

Q: I am unable to remove / insert the pin.

A: When it is difficult to pull out / insert the pin,

1 if the connection is in position **A**, push the connection inward and shake it left and right gently while pulling out / insert the pin.

2 if the connection is in position **B**, push the connection outward and shake it left and right gently while pulling out / insert the pin.

CUSTOMER SUPPORT

If you have questions or concerns with your BOOSTEDSAFE®, please contact us via www.boostedsafe.com/pages/contact or scan the side QR code, our after-sales service team will happy to assist you.



More online at www.boostedsafe.com under support





BOOSTED SAFE

www.boostedsafe.com