

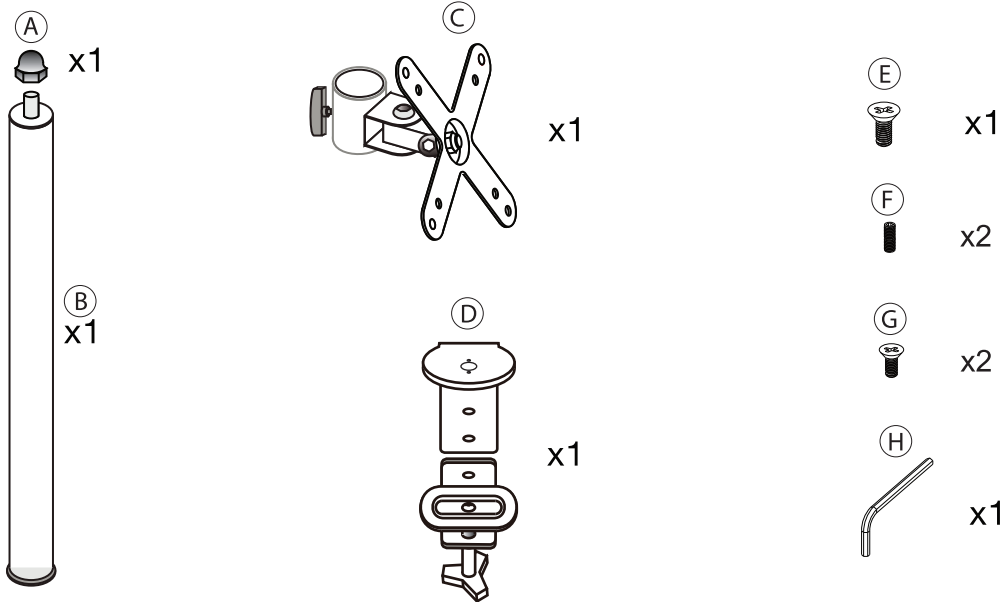


Pole Clamp with Adjustable and Articulating VESA Mount (White)

ADD-PVMW

INSTRUCTION - MANUAL

PACKAGE CONTENTS:



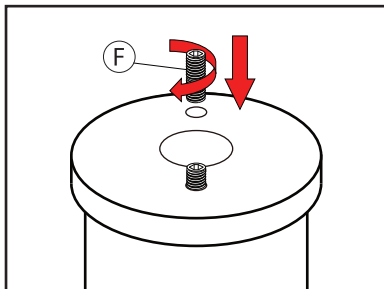
Caution

Please be sure to fasten all the screws were tightened securely while using the stand. Not for use while driving.

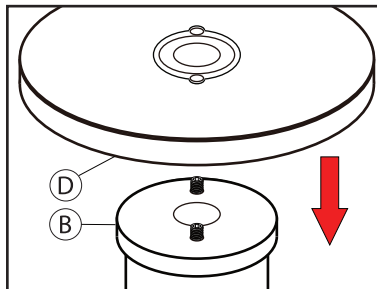
**TABLET IN PICTURES FOR EXAMPLE ONLY AND NOT INCLUDED. SCREWDRIVER NOT INCLUDED

INSTALLATION INSTRUCTIONS:

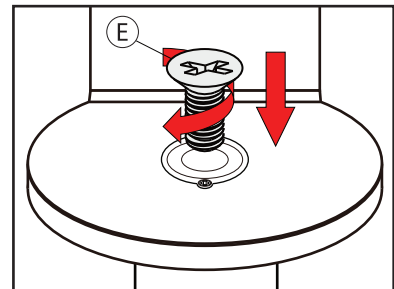
1. Connecting the Clamp and the Pole Body



1A. Rotate in the two screws (F) as illustrated until securely fastened into bottom of body pole (B).

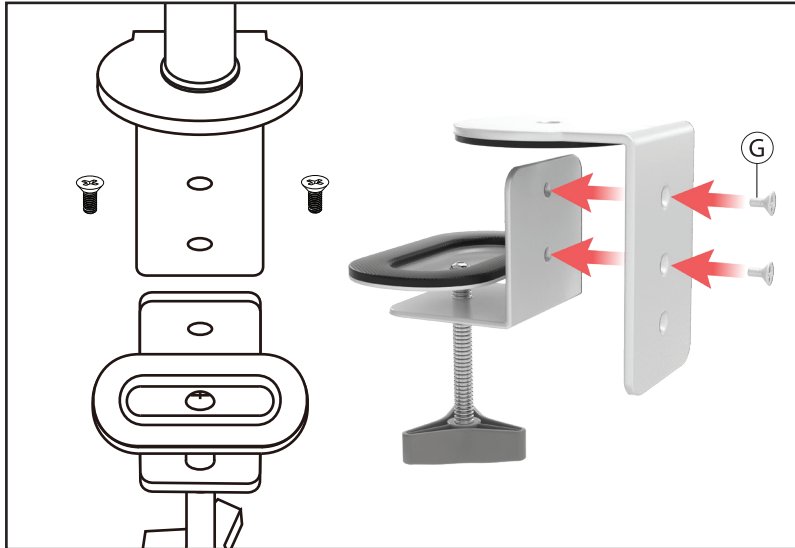


1B. Insert bottom of pole (B) as illustrated into top of the clamp component (D). Align the piece of the screw (F) into the designed holes.

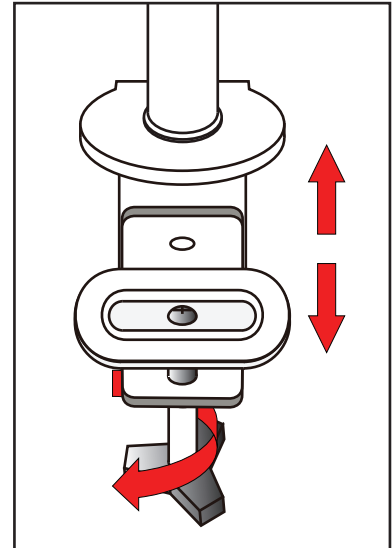


1C. Rotate in the screws (E) with screwdriver (not provided) until securely fastened until the two components are securely attached.

2. Assemble Clamp Components Together

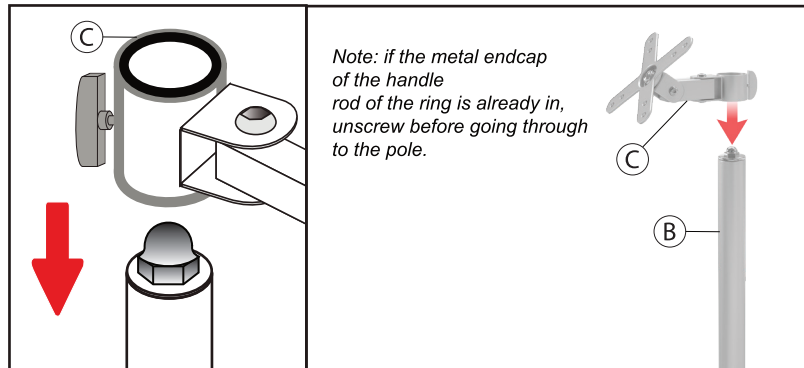


2A. Attach the top and bottom parts of the clamp component as illustrated. Align holes on the back and rotate in screws (G) using a screwdriver (not included) until securely fastened.

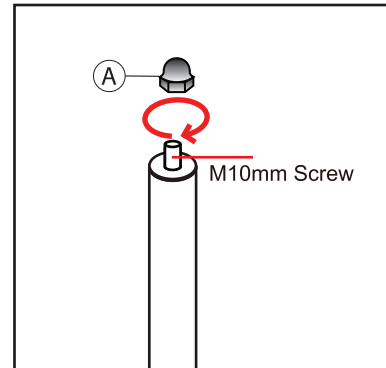


2B. Rotate knob clockwise or counterclockwise to adjust the clamp fit to different types of table and surface thicknesses until firmly gripped.

3. Attaching Adjustable VESA Plates onto Pole

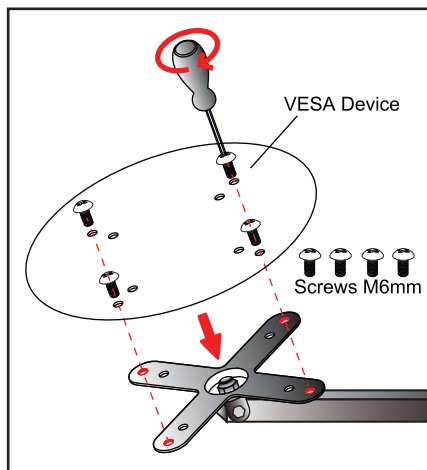


3A. Loosen the Adjustable VESA plate (C) so that it's able to slide down the pole (B) to the desired position. Rotate the knob clockwise to tighten and secure in place. Adjust the VESA angle and orientation as preferred.



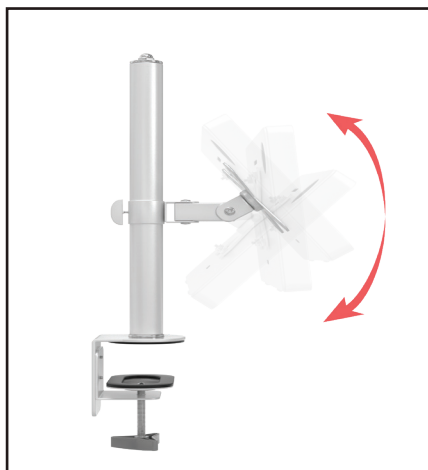
3B. Rotate on metal endcap (A) until securely tightened.

When attaching VESA compatible devices



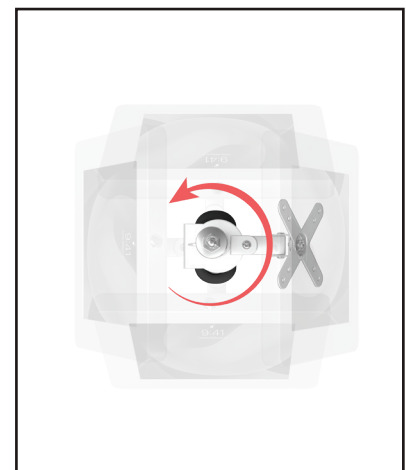
This VESA Plate Allows you to connect with other VESA Devices by screwing up the bolts as shown .

How to Tilt Adjust



Simply tilt up or down to find the optimal preferred angle. Use allen key to loosen or tighten the joint as needed. .

How to Swivel Adjust



Identify the knob on the backside of the VESA arm joint. Rotate counter clockwise to loosen and then rotate to the horizontal orientation as desired. Rotate knob back to lock in the adjustments.