

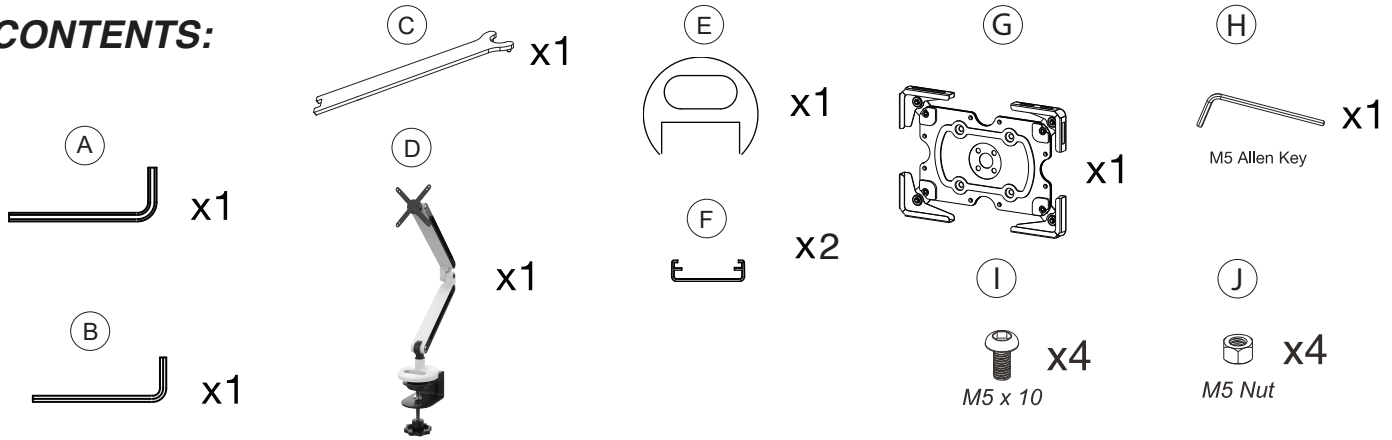


# Articulating Desk Mount Arm with Universal Security Enclosure

## INSTRUCTION MANUAL

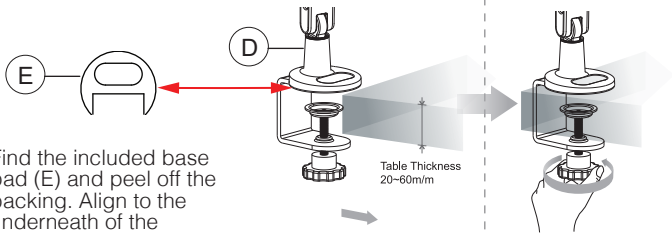
PAD-ADMAEU

### CONTENTS:



### INSTRUCTIONS:

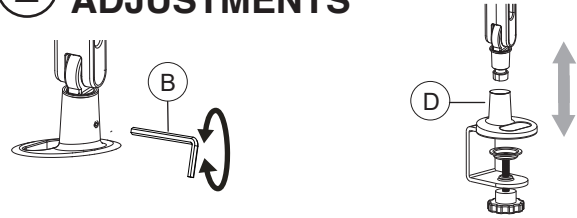
#### 1 BASE MOUNT INSTALLATION



Find the included base pad (E) and peel off the backing. Align to the underneath of the C-Clamp (D) and apply pad.

While the clamp is in unlocked mode, rotate the knob at the bottom (as shown above) to loosen or securely tighten to the table top.

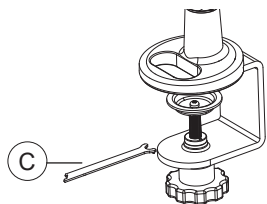
#### 2 ARM & BASE CLAMP ADJUSTMENTS



If you need to remove the arm from the base clamp, take the provided tool (B), rotate, and loosen connection.

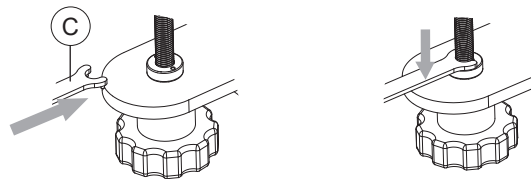
Remove arm (D) from the base clamp mount. Repeat steps in reverse order to re-install connection

#### 3 BASE CLAMP SECURITY SETUP

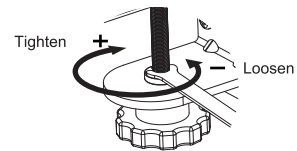


2A. When the C-Clamp is securely attached to a surface, use the provided security tool (C), attach to security component, and rotate clockwise to put the C-Clamp in an 'locked' state. To loosen, rotate counterclockwise with the security tool.

##### ALIGNING SECURITY TOOL WITH SECURITY COMPONENT



2B. Align the (2) dimples on the underneath of the security tool into the two holes on the security component on the clamp as shown above

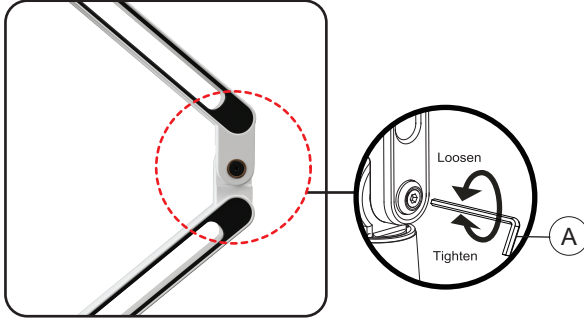


2C. Rotate counter-clockwise to loosen and place the clamp in an 'unlocked' state. Continue rotating until there is enough slack to rotate the knob. Turn it clockwise to tighten and place the clamp in a 'locked' state.

## 4 JOINT ADJUSTMENTS

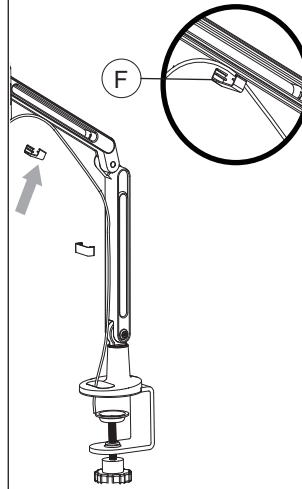
### Caution

When all hinges and joints are tightened, do not attempt to forcibly flex the angles or positioning without loosening. Any attempt to do so will possibly have an effect on product integrity and CTA and manufacturer will not be responsible for any mishandling.



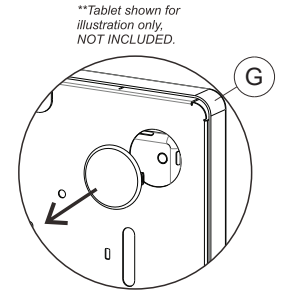
Each hinge of the product can be adjusted easily with the provided tool (A). Loosen to adjust and securely tighten after preferred position is set.

## 5 CABLE ROUTING



When routing cables from device to the power source, use provided clips (F) as shown to keep the cables organized and tight to the arms to avoid any slack.

## 6 REMOVING BACK COVERS



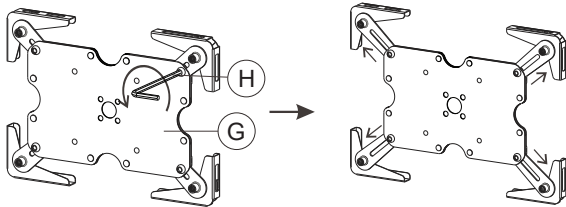
\*\*Tablet shown for illustration only, NOT INCLUDED.

When installing device into the enclosure, identify where the camera is. Then simply remove and pop out the cover prior to mounting or setting up tablet to properly expose camera.

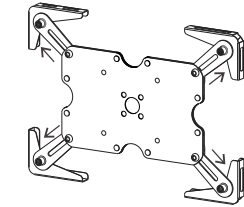
## 7 SETTING UP HOLDER & TABLET

\*\*JUST LOOSEN THE SCREW BY HALF A TURN TO RELEASE THE CORNERS.

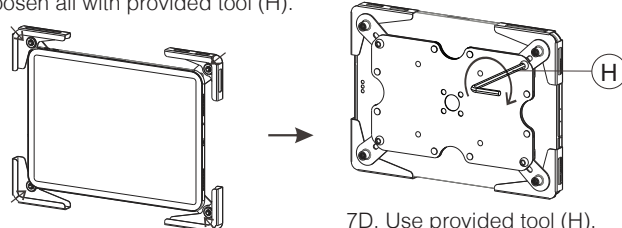
\*\*TABLET IS FOR ILLUSTRATION PURPOSES AND NOT INCLUDED



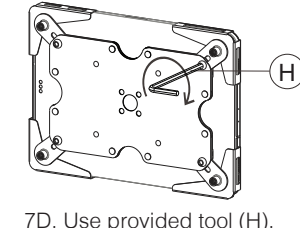
7A. Begin by loosening the four holder arms. Find the screw on the body (G) as illustrated and loosen all with provided tool (H).



7B. After loosening, extend the arms outwards as far as the range can go.



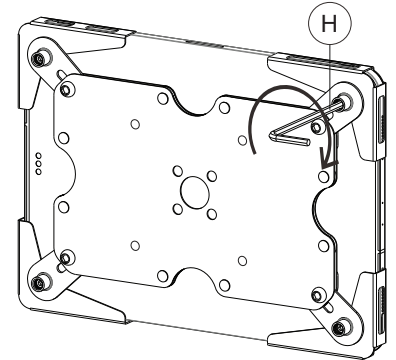
7C. Insert tablet and retract the arms to the corners for a secure and tight fit.



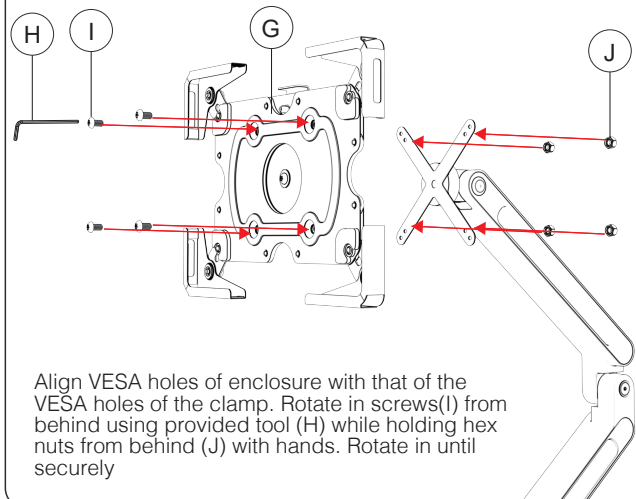
7D. Use provided tool (H), and rotate as illustrated to tighten and secure the holder arms in place.

## 8 ADJUSTABILITY

After properly inserting tablet into the holder, use the provided tool (H) to securely fit the tablet with regards to the depth. Rotate clockwise until securely fastened. Repeat this for all four holder arms at the extruded screw spot as illustrated to the right.



## 10 SETTING UP CLAMP WITH ENCLOSURE



Align VESA holes of enclosure with that of the VESA holes of the clamp. Rotate in screws (I) from behind using provided tool (H) while holding hex nuts from behind (J) with hands. Rotate in until securely

## 9 SWAPPING OUT CORNER ARM (OPTIONAL)

Exposed Corner



Solid Corner



You can switch out the corner arms with an exposed arm and corner to a more solid arm or vice versa. Exposed corners allow more access to the buttons, ports and openings. Simply unscrew and replace.