

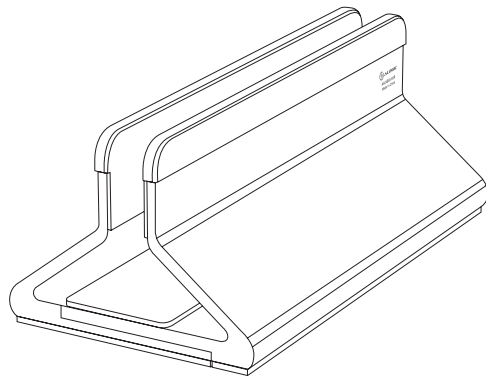
Warning

- This device is designed for indoors use only and to be kept dry.
- Do not deliberately damage the device or expose it to damp, direct sunlight, or high temperature conditions.
- Disassembling or failing to properly use and care for your device will void the warranty on the product.
- ALOGIC bears no responsibility for damage to the device or incidental damages arising from improper use or lack of care and is not liable for repair/ replacement of the device or other damages in these circumstances.
- This pen and its accessories include small parts. Please keep them away from small children.



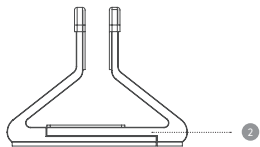
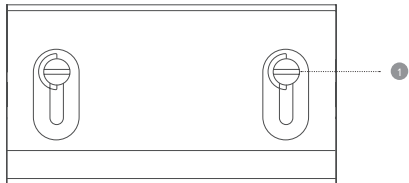
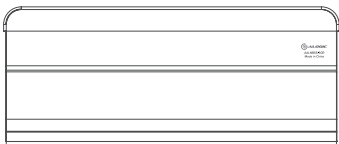
Bolt

Adjustable Laptop Stand



Designed in Australia. Manufactured in China

Quick Start Guide



1 Cheese screw

2 Clamp

Specifications

Model	AALNBSS-SGR
Dimensions	62 × 82 × 152mm (H × D × W)
Weight	443g
Warranty	2 Years

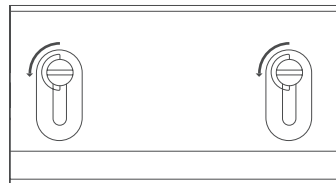
Package Contents

Bolt Adjustable Laptop Stand



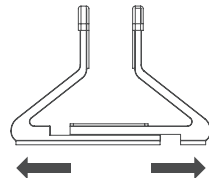
1 Loosen Bolts

Once the Adjustable Laptop stand is unboxed, simply loosen the 2 cheese screws underneath the stand by turning anti-clockwise.



2 Width Adjustment

Once the cheese screws underneath are loosened, you can adjust the width of the clamps to suit the desired laptop size.



3 Secure Bolts

After the clamps on the stand has been fitted to the size of the laptop. Simply secure the cheese screws by tightening it clockwise.

