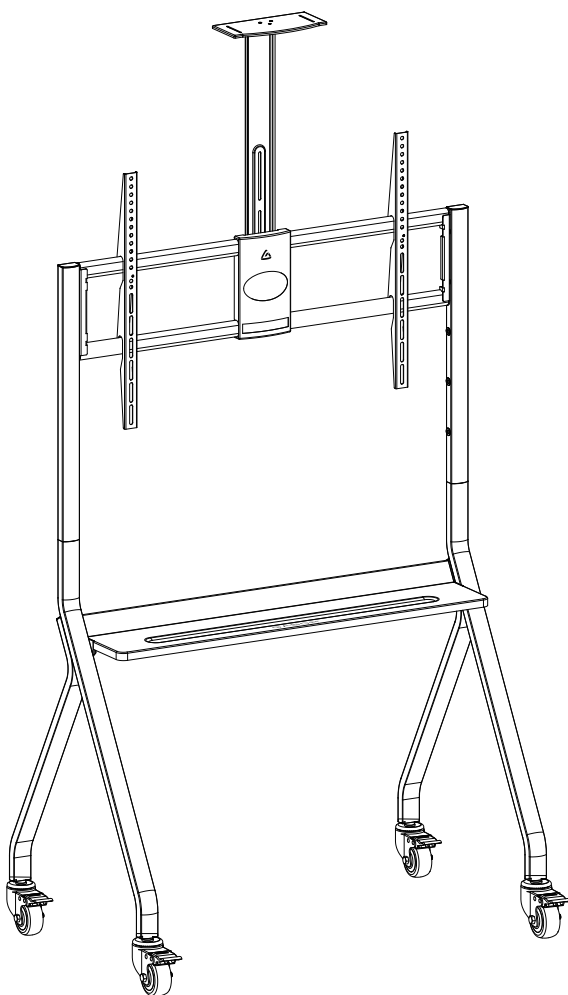




GABOR®

FPC-T100 / HEAVY-DUTY SLIM TV CART

for 55 to 100 in. Displays



User Manual

Thank you for choosing Gabor.

The Gabor FPC-T100 Heavy-Duty Slim TV Cart accommodates screens up to 100 inches and weighing up to 264 pounds so you can have a dedicated rolling display in your office or classroom. Wheel your TV from room to room and secure the cart with four locking casters. The camera and accessory shelf allow for the use of a webcam for video conferencing and for storing your remotes below the TV.

Safety Warnings

- When installing this product, be sure to refer to the mounting instructions detailed in this manual; failure to follow the mounting instructions may void the product warranty.
 - Do not assemble or use the cart on structures that may be affected by vibrations or noticeable impacts; do not assemble or use near a heater, fireplace, or any other source of direct heat energy.
 - It is strongly recommended that this product be installed by a qualified professional or installation contractor; Gabor takes no responsibility for any product damage or personal injury resulting from mishandling, incorrect mounting, faulty assembly, or improper use of this product.
 - This product may contain small parts which can pose a choking hazard; keep out of reach of children and pets.
 - Do not use this product for any flat-panel screen device other than what it is intended for; the exact specifications, size parameters, and weight limits are found both on the product box and in the instruction manual.
 - Excessive exposure to liquids may damage the finish of this product; when cleaning this product, use only a mild detergent solution and quickly wipe dry with a soft cloth.
 - All images are for illustrative purposes only.
 - It is recommended that at least two people perform the installation process to prevent injury from mishandling or dropping the product or flat-panel display; proper safety gear and tools must be used at all times when installing this product.
- If you have safety concerns about installing this product, contact a qualified professional or installation contractor.
- If this product is missing hardware or there are defective parts, visit www.madebygabor.com or call Customer Service at 212-594-2353.

Product Specifications

Compatible Flat-Panel Display Size:

55 to 100 in.
(139.7 to 254 cm)

Max Center Screen Height:

60 in. (152 cm)

Min Center Screen Height:

45 in. (115 cm)

Max Weight Capacity:

264 lb. (119.7 kg)

Weight:

40 lb. (18.2 kg)

Material:

Steel

Camera Shelf Size:

10 × 4.1 in.
(25.5 × 10.5 cm)

VESA Mounting Patterns (mm):

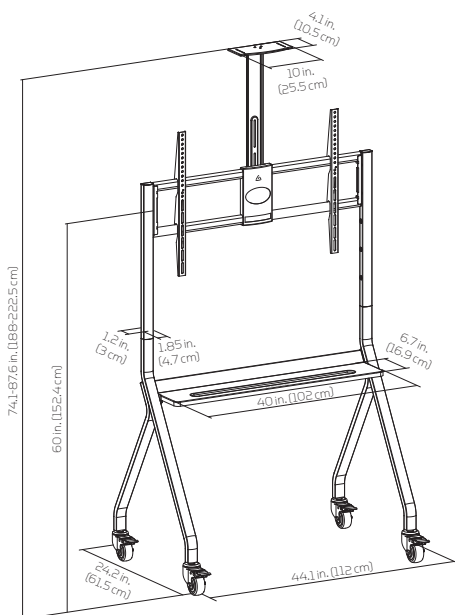
200 × 200
300 × 200
300 × 300
400 × 200
400 × 300
400 × 400
600 × 200
600 × 300
600 × 400
600 × 600
800 × 400
800 × 600
900 × 600

Max Camera Shelf Load:

4 lb. (1.8 kg)

Caster Size:

3 in. (6.4 cm)



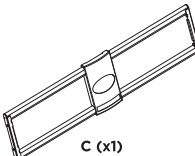
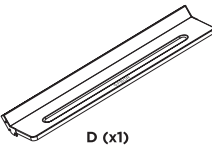

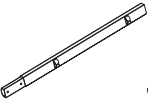
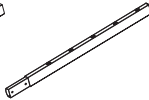




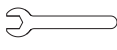














Parts List

Required tool:

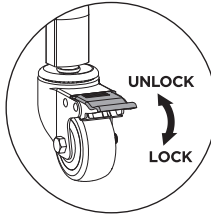
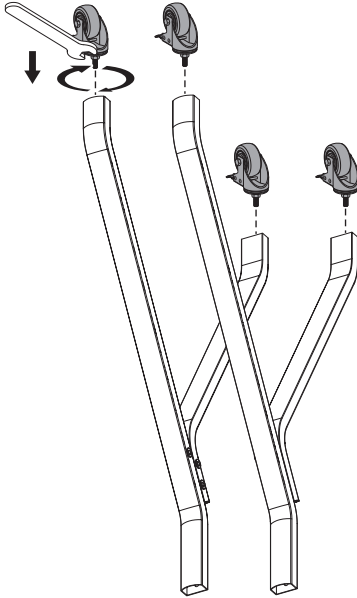
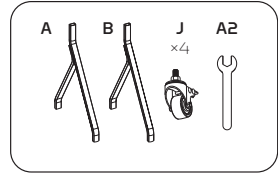
Phillips screwdriver



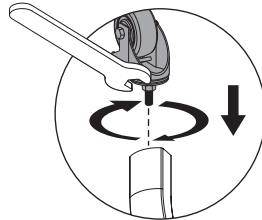
						
A (x1)	B (x1)	C (x1)	D (x1)	E (x2)		
						
F (x1)	G (x1)	H (x1)	I (x1)	J (x4)		
						
A1 (x1) 6mm	A2 (x1) 19mm	B1 (x10) M8x20	C1 (x4) M8x20	C2 (x4) Ø8x1.5	D1 (x2) M6x10	D2 (x4) M5x10
						
E1 (x2) M5x18	F1 (x4) M8x25	F2 (x4) M6x25	G1 (x4) M5x25	G2 (x4) M4x25	H1 (x4) Ø15xØ8.2x10	H2 (x4) Ø5x1

Installing the Casters

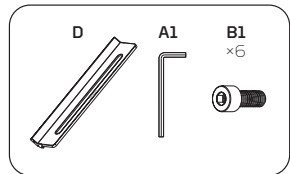
Lock the four casters and use the wrench to screw one into each leg.



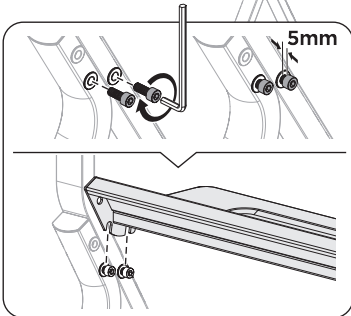
Note: Leave the casters locked during installation and assembly.



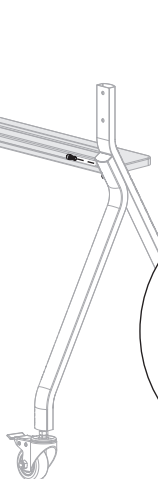
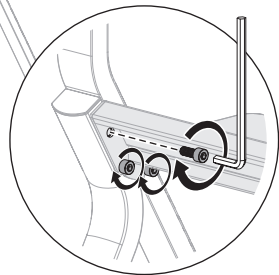
Attaching the Shelf Support



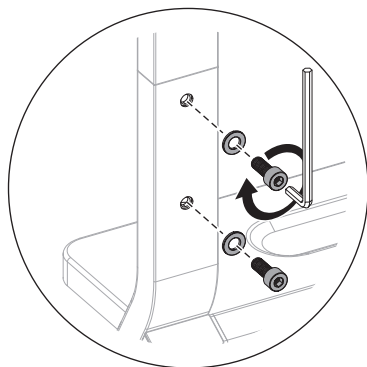
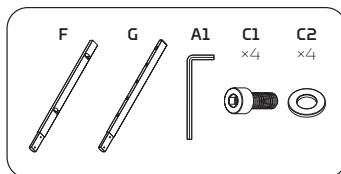
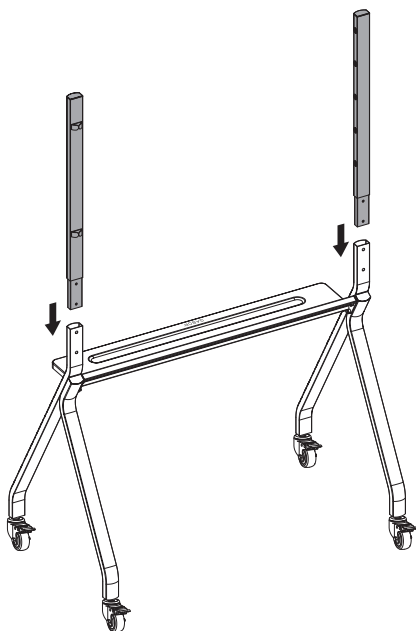
Step 1



Step 2

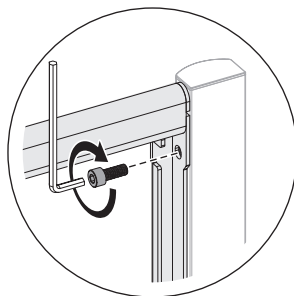
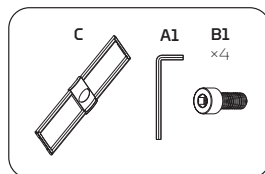
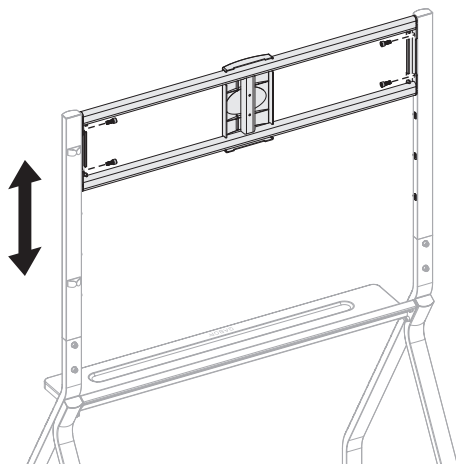


Attaching the Risers

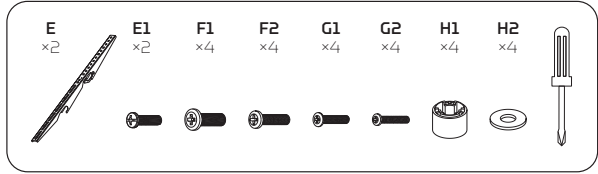


Attaching the Display Mount

There are four positions for the center screen height.
Find the right height for your TV and secure the mounting bracket.

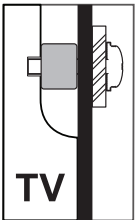
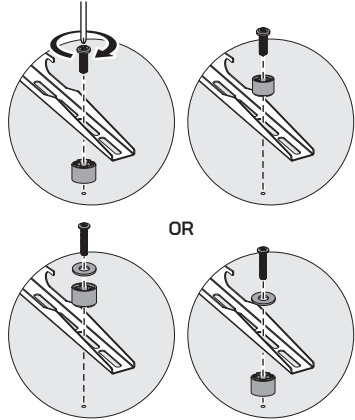
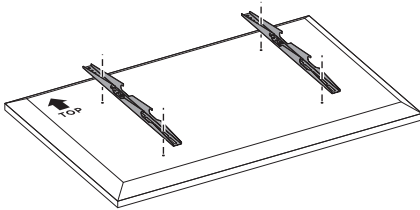


Installing the Display Brackets



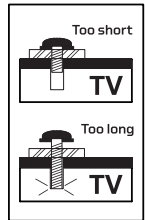
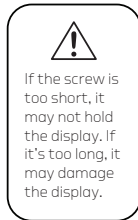
Selecting the Right VESA Mounting Hardware for Your Display

A variety of screws are included to fit VESA standards on the backs of most displays. Select the screws and washers that best fit your display. Hand-thread the screws to determine the correct diameter. Install the brackets directly to your display.



If your display has recessed mounting or a curved back:

Install the spacers between the bracket and your display. You can combine spacers to best fit your display. Then fasten with the screws and washers until secure.

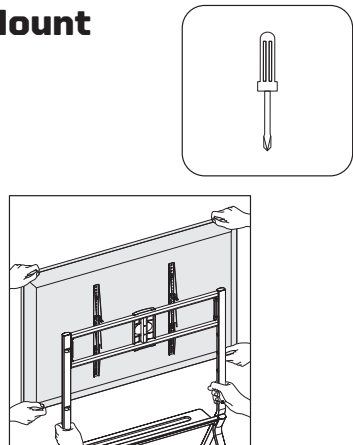
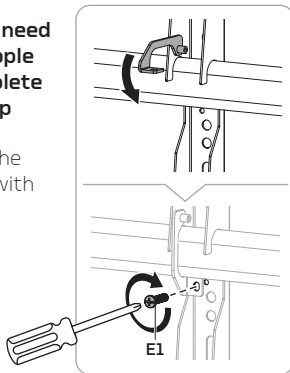


Hanging the Display on the Mount

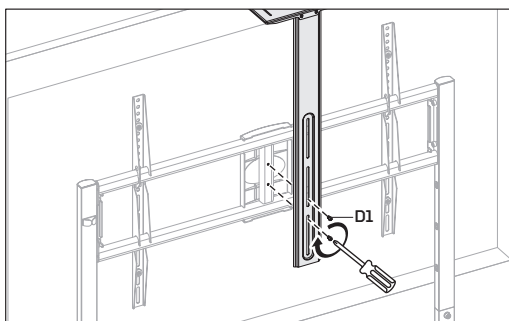
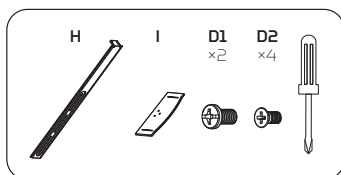
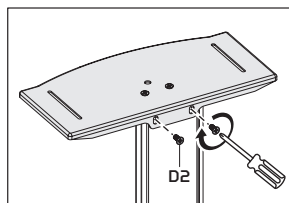
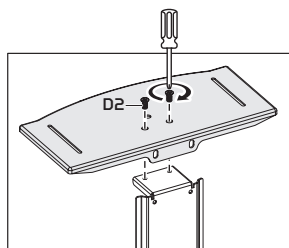


You will need two people to complete this step

Hang the display on the mount and secure it with the locking hooks.

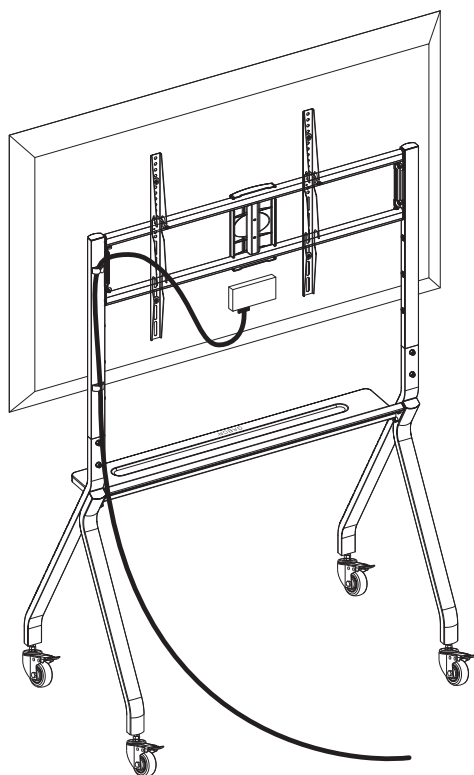


Installing the Camera Shelf



Cable Management

Run the cables down through the cable clips on the rear of the cart as shown.



ONE-YEAR LIMITED WARRANTY

This Gabor product is warranted to the original purchaser to be free from defects in materials and workmanship under normal consumer use for a period of one (1) year from the original purchase date or thirty (30) days after replacement, whichever occurs later. The warranty provider's responsibility with respect to this limited warranty shall be limited solely to repair or replacement, at the provider's discretion, of any product that fails during normal use of this product in its intended manner and in its intended environment. The inoperability of the product or part(s) shall be determined by the warranty provider. If the product has been discontinued, the warranty provider reserves the right to replace it with a model of equivalent quality and function.

This warranty does not cover damage or defect caused by misuse, neglect, accident, alteration, abuse, improper installation or maintenance. EXCEPT AS PROVIDED HEREIN, THE WARRANTY PROVIDER MAKES NEITHER ANY EXPRESS WARRANTIES NOR ANY IMPLIED WARRANTIES, INCLUDING BUT NOT LIMITED TO ANY IMPLIED WARRANTY OF MERCHANTABILITY OR FITNESS FOR A PARTICULAR PURPOSE. This warranty provides you with specific legal rights, and you may also have additional rights that vary from state to state.

To obtain warranty coverage, contact the Gabor Customer Service Department to obtain a return merchandise authorization ("RMA") number, and return the defective product to Gabor along with the RMA number and proof of purchase. Shipment of the defective product is at the purchaser's own risk and expense.

For more information or to arrange service, visit www.madebygabor.com or call Customer Service at 212-594-2353.

Product warranty is provided by the Gradus Group.

www.gradusgroup.com

Gabor is a registered trademark of the Gradus Group.

© 2026 Gradus Group LLC. All Rights Reserved.

