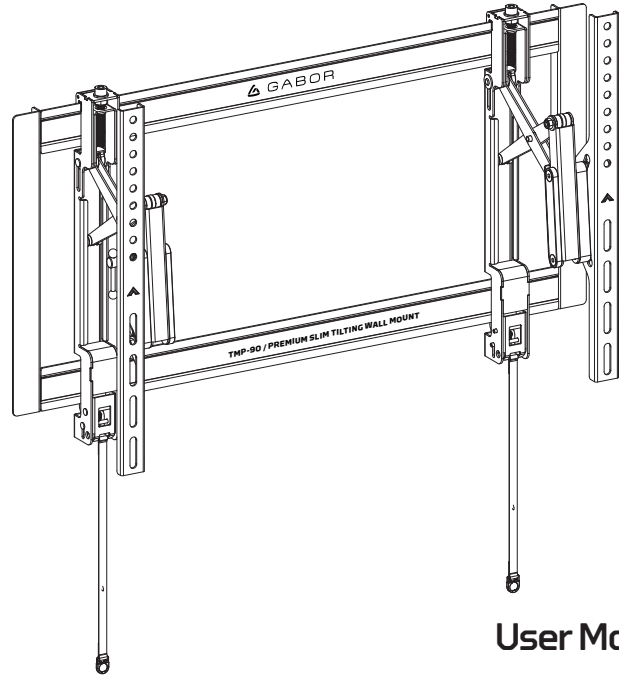




TMP-90, TMP-100 / PREMIUM SLIM TILTING WALL MOUNT

for 37 to 100 in. Displays



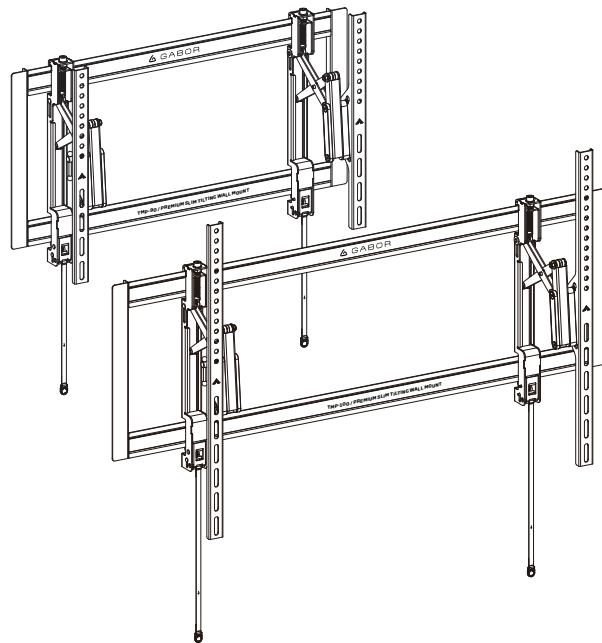
User Manual

Thank you for choosing Gabor.

The Gabor Premium Slim Tilting Wall Mount offers improved tilt range and greater access to ports and connections for flat panel displays measuring 37 to 100 inches and weighing up to 176 pounds. Independent mounting arms allow each side of your display to extend 2.1 to 6.8 inches, so you can easily reach behind the display for maintenance and cable access.

This extension allows for a maximum tilt range from $+10^{\circ}$ to -15° and a swivel range from $+10^{\circ}$ to -10° , giving you a larger viewing angle than a traditional tilting wall mount. The open mount design provides space for placing wall ports directly behind your TV or monitor and allows you to keep your cables short and hidden.

If you have safety concerns about installing this product, contact a qualified professional or installation contractor.
If this product is missing hardware or there are defective parts, visit www.madebygabor.com or call Customer Service at 212-594-2353.



Safety Warnings

- When installing this product, be sure to refer to the mounting instructions detailed in this manual; failure to abide by the mounting instructions may void the product's warranty.
- Do not use this product for any flat panel display other than what it is intended for; the exact specification, size parameters, and weight limits are found both on the product box and in the instruction manual.
- It is strongly recommended that this product be installed by a qualified professional or installation contractor; Gabor takes no responsibility for any product damage or personal injury resulting from mishandling, incorrect mounting, faulty assembly, or improper use of this product.
- This product has been designed specifically for mounting directly on wooden studs or concrete walls; depending on wall type and material, the use of additional appropriate mounting hardware and/or accessories such as heavy-duty anchors may be required.
- Do not mount the device on structures that may be affected by vibrations or noticeable impacts; do not install near a heater, fireplace, or any other source of direct heat energy.
- The included mounting hardware (anchor screws, anchors, and anchor washers) is not intended for use on metal studs and may not be appropriate for old or weak walls; it is best to consult with a qualified professional to determine whether your wall is capable of supporting this bracket.
- It is recommended that at least two people perform the installation process to prevent injury from mishandling or dropping the product and/or flat panel display.
- This product may contain small parts which can possibly pose a choking hazard; keep out of reach of children and pets.
- Excessive exposure to liquids may damage the finish of this product; when cleaning this product, use only a mild detergent solution and quickly wipe dry with a soft cloth.
- All images are for illustrative purposes only.

Product Specifications

Depth from Mounting Source

2.1 to 6.8 in. (5.3 to 17.3 cm)

Recommended Screen Sizes

TMP-90: 37 to 90 in. (94 to 228.6 cm)

TMP-100: 55 to 100 in. (139.7 to 254 cm)

Max Weight Capacity

176 lb. (80 kg)

VESA Mounting Patterns

TMP-90:

200×200 mm

300×200 mm

300×300 mm

400×200 mm

400×300 mm

400×400 mm

600×400 mm

TMP-100:

200×200 mm

300×200 mm

300×300 mm

400×200 mm

400×300 mm

400×400 mm

600×400 mm

600×600 mm

800×400 mm

800×600 mm

900×600 mm

Material

Steel

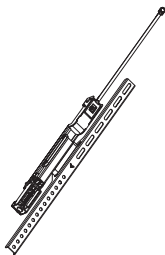
Weight

TMP-90: 10.4 lb. (4.7 kg)

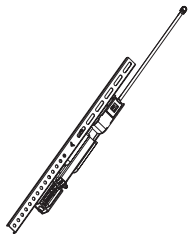
TMP-100: 12.8 lb. (5.8 kg)

Overview

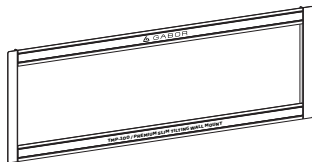
A Left display bracket



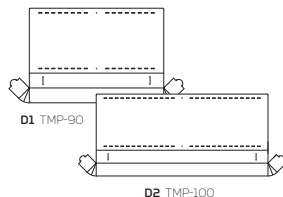
B Right display bracket


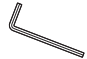
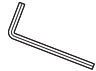




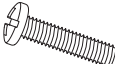








C Wall mount



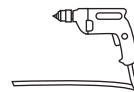
D Mounting template



<p>E 1x</p>  <p>Bubble level</p>	<p>F 1x</p>  <p>4 mm hex wrench</p>	<p>G 1x</p>  <p>6 mm hex wrench</p>	<p>H 1x</p>  <p>10-13 mm crescent wrench</p>
<p>M-A 4x</p>  <p>M6 x 14 mm screws</p>	<p>M-B 4x</p>  <p>M8 x 16 mm screws</p>	<p>M-C 4x</p>  <p>M6 x 30 mm screws</p>	<p>M-D 4x</p>  <p>M8 x 35 mm screws</p>
<p>M-E 4x</p>  <p>D8</p>	<p>M-F 4x</p>  <p>Small spacer</p>	<p>M-G 4x</p>  <p>Large spacer</p>	
<p>W-A 6x</p>  <p>Anchor screws</p>	<p>W-B 6x</p>  <p>Concrete anchors</p>	<p>W-C 6x</p>  <p>Anchor screw washers</p>	

Required Tools

Drill



Phillips screwdriver



Hammer



Stud finder



Tape measure



3/16 in. (4.5 mm)
Wood drill bit



3/8 in. (10 mm)
Concrete drill bit



Socket wrench



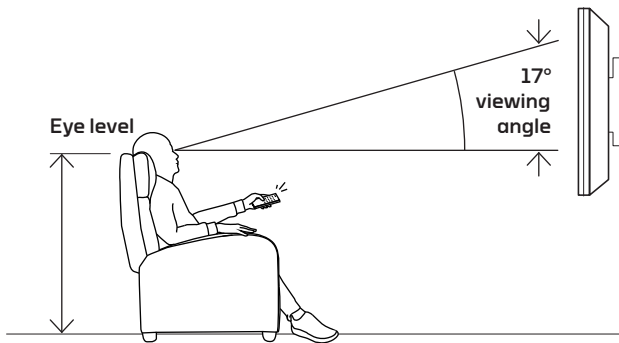
Pencil



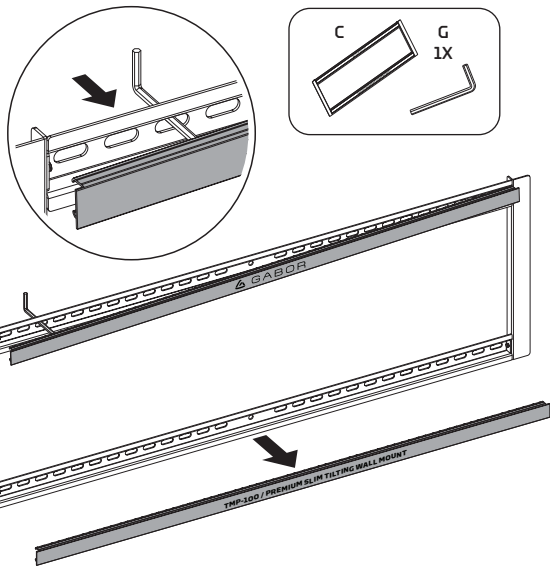
Display/TV Placement

Before installing the Gabor Premium Slim Tilting Wall Mount, you will need to determine the placement of your display and identify surrounding support structures for attachment. The best height for a display is at the viewer's eye level. You can find this height in one of two ways.

1. Measure the distance from the seating area to the viewing area. The ideal position is when the center of the display (where the diagonals meet) is as close as possible to eye level.
- OR
2. Cut a piece of sturdy cardboard that's approximately the same size as your display. Use the cardboard to find a comfortable height, and mark the mounting location with a pencil.



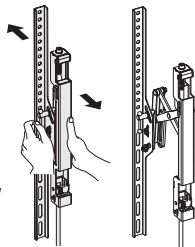
Remove the Mount Covers Before You Begin



Attaching the Display/TV Brackets

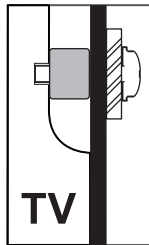
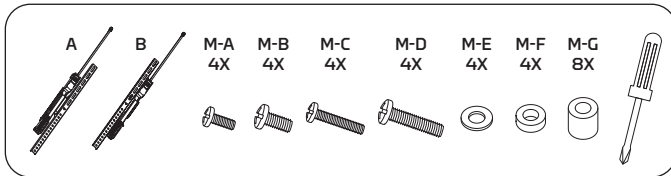
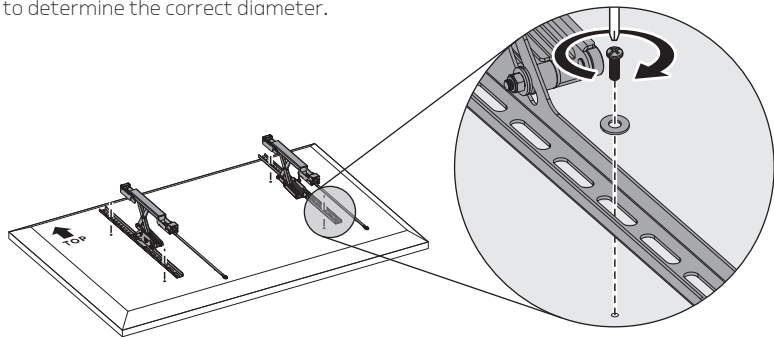


Warning! The display brackets contain potential pinch points. Keep your fingers away from the pinch points when expanding and retracting the brackets and your display.



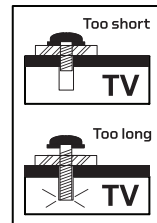
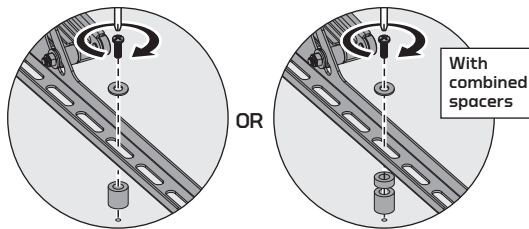
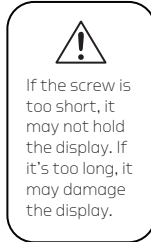
Selecting the Right VESA Mounting Hardware for Your Display

A variety of screws are included to fit VESA standards on the backs of most displays. Select the M6 or M8 screws and washers that best fit your display. Hand-thread the screws to determine the correct diameter.



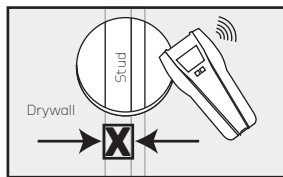
If Your Display Has Recessed Mounting or a Curved Back:

Install the spacers between the bracket and your display. You can combine spacers to best fit your display. Then fasten with the screws and washers until secure.

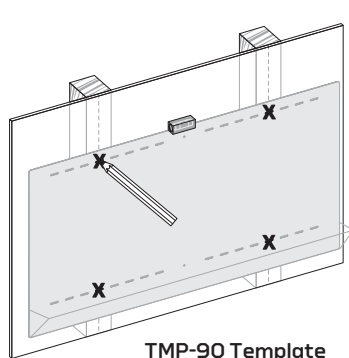
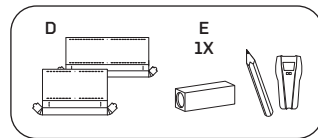


Attaching the Wall Mount to Wooden Studs

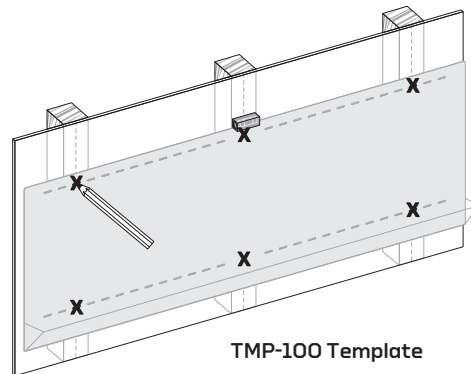
Caution! Wooden studs run vertically inside the wall. The wall bracket must be mounted to wooden studs at least 1.5 inches wide and spaced 16 inches apart, or the bracket could fall out and damage your display or cause personal harm.



1. Use a stud finder to locate the edges of the wooden stud and mark the center.



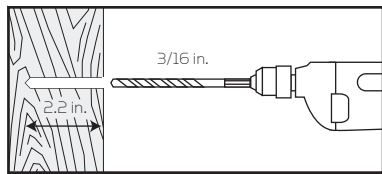
TMP-90 Template



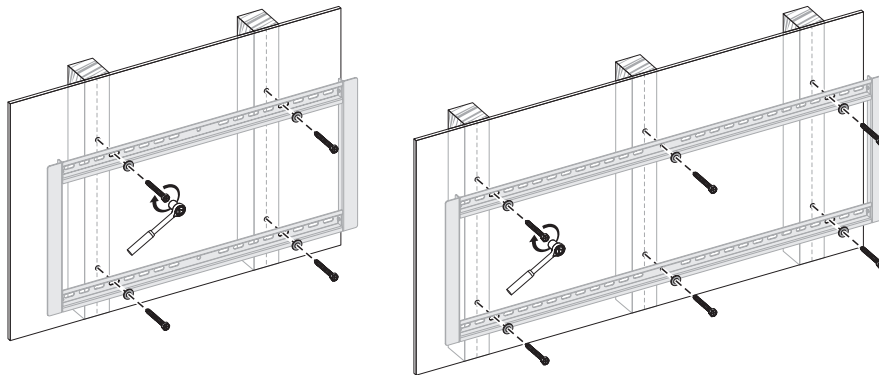
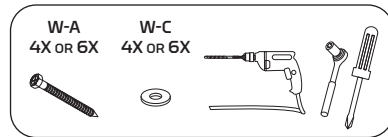
TMP-100 Template

2. Place the mounting template up to the marked locations. Use the provided bubble level to make sure the template will be level before drilling and tape it to the wall. Use a pencil to mark drilling holes for the four or six anchor screws.

Attaching the Wall Mount to Wooden Studs (Cont.)

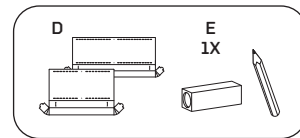


3. Use a 3/16-inch (4.5 mm) wood drill bit to predrill the marked spots 2.2 inches (55 mm) deep, then clean out the debris from the holes. Remove the template.



4. Attach the mount to the wall by inserting the four or six anchor screws through the washers and the wall mount's mounting holes, then screwing them into the predrilled support holes until secure. Use a Phillips screwdriver to further tighten the anchor screws, but do not overtighten.

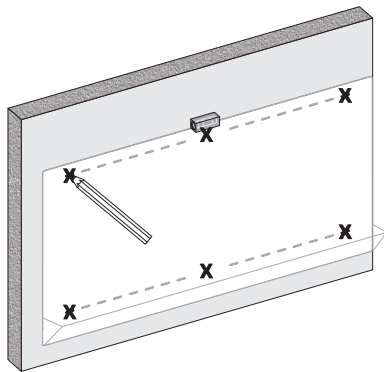
Attaching the Wall Mount to a Concrete Wall or Concrete Blocks



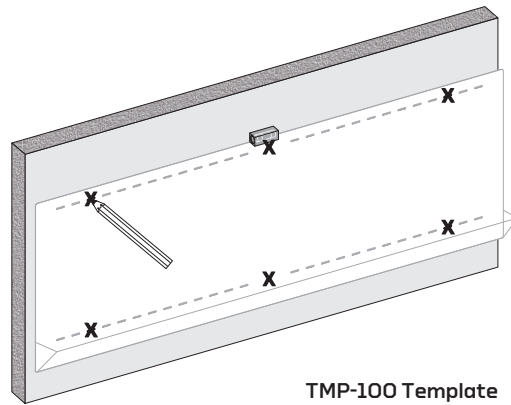
Caution! Make sure the concrete wall or block is solid and at least 8 inches (20 cm) thick. Install the wall mount at least 16 inches between anchors. If the concrete exhibits cracks or other defects, this may result in failure of the concrete anchors and cause serious personal injury or damage your display.

Warning! Do not drill into the mortar between concrete blocks. The display brackets must remain centered on the wall mount.

1. Place the mounting template up to the marked locations. Use the provided bubble level to make sure the template will be level before drilling and tape it to the wall. Use a pencil to mark drilling holes for the six anchor screws.

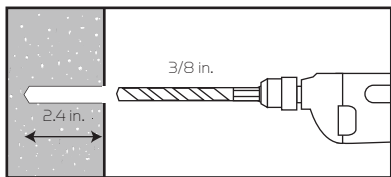


TMP-90 Template

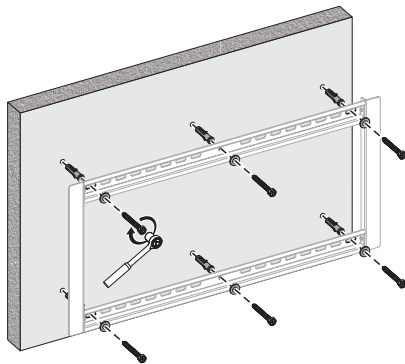


TMP-100 Template

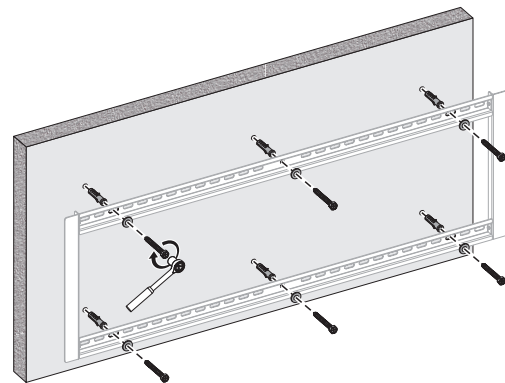
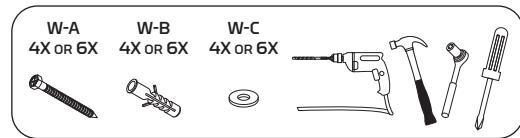
Attaching the Wall Mount to a Concrete Wall or Concrete Blocks (Cont.)



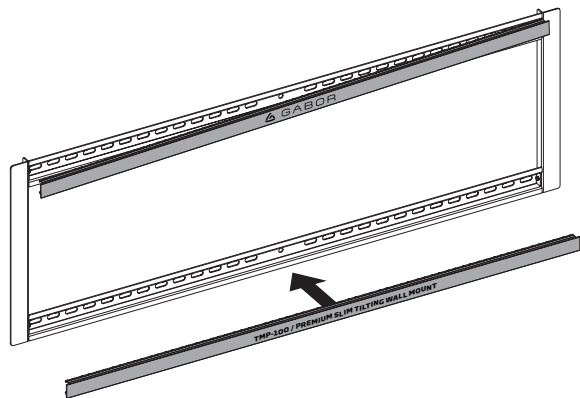
2. Use a 3/8-inch (10 mm) concrete drill bit to predrill the marked spots 2.4 inches (60 mm) deep, then clean out the debris from the holes. Remove the template.
3. Use a hammer to tap the concrete anchors into the predrilled holes.



4. Attach the wall mount to the wall by inserting the anchor screws through the washers and the wall mount's mounting holes, then screwing them into the anchors until secure. Use the Phillips screwdriver to further tighten the screws, but do not overtighten.



Attach the Mount Covers

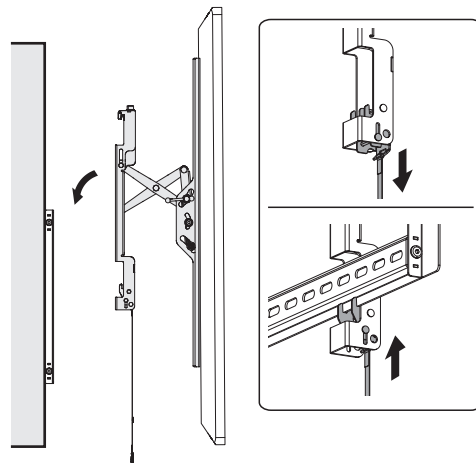


Mounting the Display on the Wall Mount



Important! We recommend that two people perform this step. Make sure your fingers are safe when extending the display brackets.

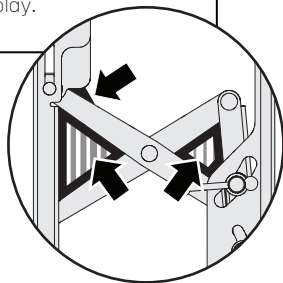
1. Lift your display up to the wall mount and hang the display from the top hooks of the display brackets.
2. Pull down on each display bracket's release pull.
3. Press the bottom of each display bracket against the wall mount and let go of the release pull. Make sure the brackets are secure on the wall mount before letting go of the display.



Post-Installation Adjustment

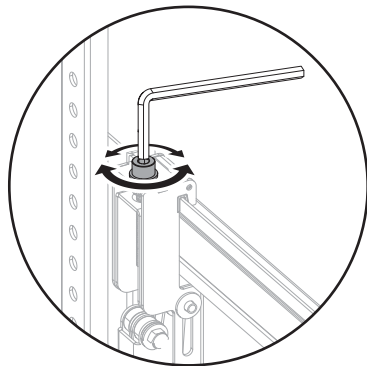
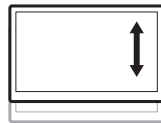
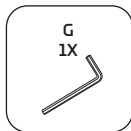


Warning! The display brackets contain potential pinch points. Keep your fingers away from the pinch points when expanding and retracting the brackets and your display.



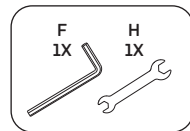
Horizontal Level

Use the included hex key to turn the adjustment screws located at the top of each display bracket.

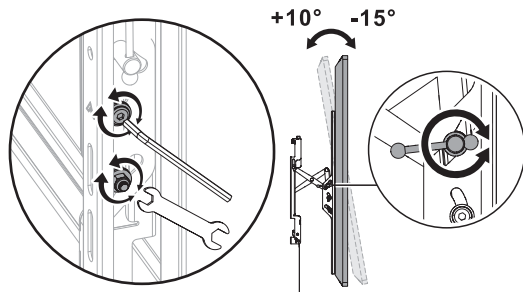


Tilt Angle

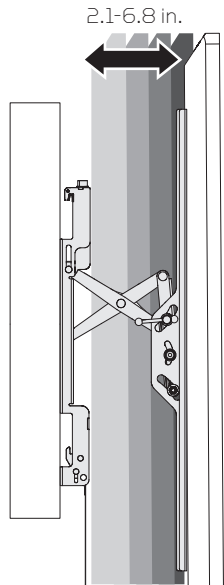
Tilt the display to the ideal viewing angle from $+10^{\circ}$ to -15° and tighten the tilt-locking knobs until secure.



Note: You can alter each display bracket's tilt tension by adjusting the screw and nut as shown.

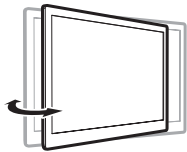


Post-Installation Adjustment (Cont.)



Swivel Angle

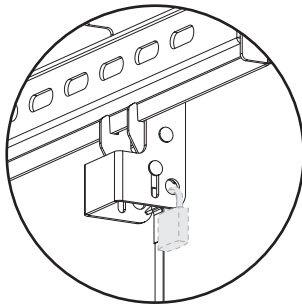
Adjust the swivel range from $+10^{\circ}$ to -10° by extending or collapsing one side of the display 2.1 to 6.8 inches from the wall.



Locking the Mount

For extra protection against display theft, install a padlock (not included). This provides added security and is ideal when using the mount in public spaces.

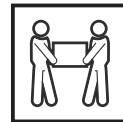
Insert a lock through the display bracket's eyelet. Repeat on the other bracket.



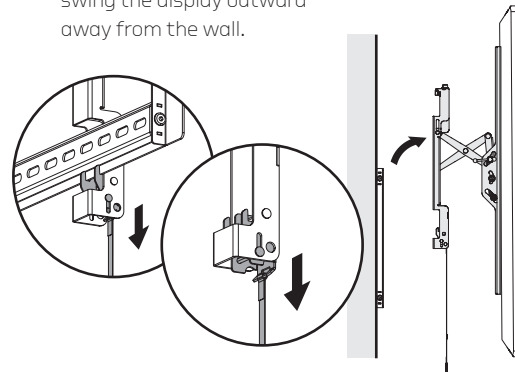
Removing the Display from the Wall Bracket

Important!

We recommend that two people perform this step.



Pull down on each bracket's release pull and gently swing the display outward away from the wall.



One-Year Limited Warranty

This Gabor product is warranted to the original purchaser to be free from defects in materials and workmanship under normal consumer use for a period of one (1) year from the original purchase date or thirty (30) days after replacement, whichever occurs later. The warranty provider's responsibility with respect to this limited warranty shall be limited solely to repair or replacement, at the provider's discretion, of any product that fails during normal use of this product in its intended manner and in its intended environment. Inoperability of the product or part(s) shall be determined by the warranty provider. If the product has been discontinued, the warranty provider reserves the right to replace it with a model of equivalent quality and function.

This warranty does not cover damage or defect caused by misuse, neglect, accident, alteration, abuse, improper installation or maintenance. EXCEPT AS PROVIDED HEREIN, THE WARRANTY PROVIDER MAKES NEITHER ANY EXPRESS WARRANTIES NOR ANY IMPLIED WARRANTIES, INCLUDING BUT NOT LIMITED TO ANY IMPLIED WARRANTY OF MERCHANTABILITY OR FITNESS FOR A PARTICULAR PURPOSE. This warranty provides you with specific legal rights, and you may also have additional rights that vary from state to state.

To obtain warranty coverage, contact the Gabor Customer Service Department to obtain a return merchandise authorization ("RMA") number, and return the defective product to Gabor along with the RMA number and proof of purchase. Shipment of the defective product is at the purchaser's own risk and expense.

For more information or to arrange service, visit www.madebygabor.com or call Customer Service at 212-594-2353.

Product warranty provided by the Gradus Group.

www.gradusgroup.com

Gabor is a registered trademark of the Gradus Group. © 2026 Gradus Group LLC. All Rights Reserved.

GG2

