



**MAGNUS  
REX**

**CFS-100-2**

Folding Camera Stand  
MK-II

Owner's  
Manual



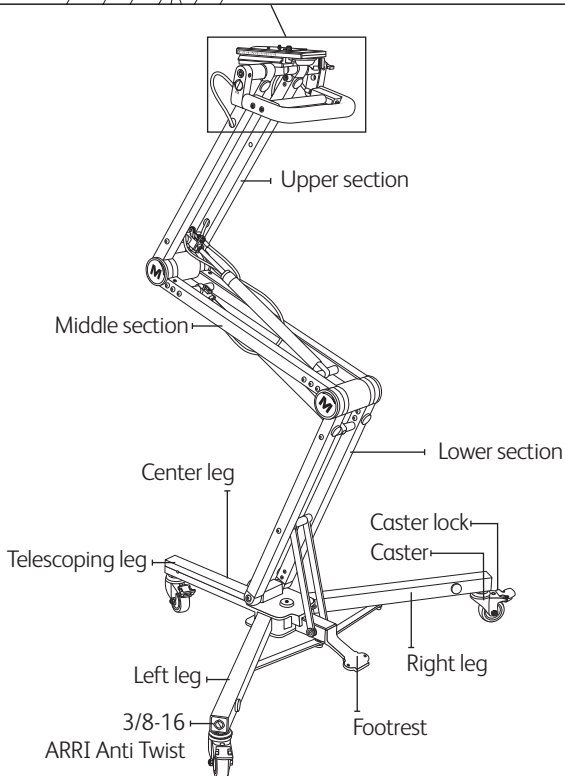
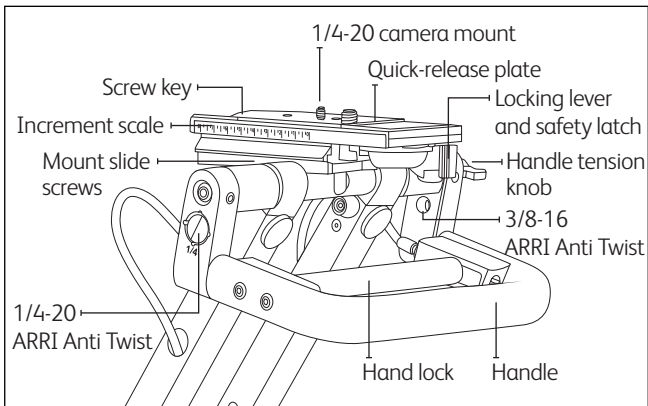
## Thank you for choosing Magnus.

The Magnus REX Folding Camera Stand is designed with advanced features for professional photographers and videographers. Whether shooting in the studio, at events, or at home, the Folding Camera Stand provides a solution for stability, mobility, and rapid camera positioning without interrupting your workflow. The stand is constructed with high-grade aluminum tubing and offers an ergonomic hand lock so you can quickly reposition your camera to any angle and height. Locking casters allow you to roll the stand around locations and can be locked down for added stability. This collapsible support folds down for easy transport and storage, so you'll have rapid deployment and creative flexibility wherever you shoot.

## Precautions

- Please read and follow these instructions and keep this manual in a safe place.
- Do not exceed the maximum weight capacity of the folding stand.
- The camera should be securely fastened to the quick-release mounting plate before mounting it onto the folding stand.
- Never mount a camera to the folding stand until all the legs are extended and secure.
- Do not stand on, rest on, or hang anything from the folding stand other than the device intended for use and mentioned in this manual.
- Do not lift or move the folding stand with an attached camera. Always use the provided handle.
- Do not release the hand lock without placing a foot firmly on the footrest to avoid tipping and accidental damage to your camera.
- Make sure the front leg is extended if you position the folding stand with an attached camera over the front leg.
- Keep the center of gravity of the camera between the casters to avoid accidental damage to your camera.
- Keep hands and fingers clear of all moving parts to avoid pinching your fingers.
- Safe operation of the folding stand is the user's responsibility.
- All images are for illustrative purposes only.

## Overview



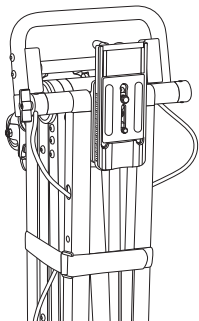
### Also Includes:

- Stand wrap
- Shoulder strap
- Padded carry case

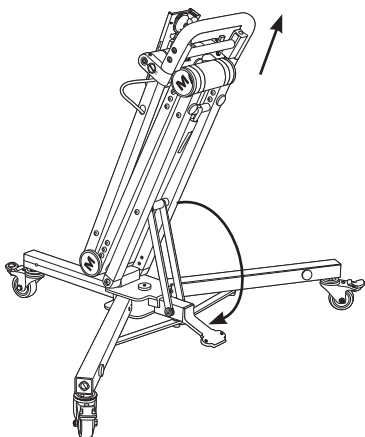
## Operating the CFS-100-2

### Setting Up the Folding Stand

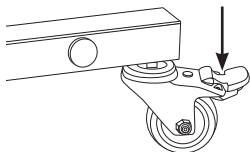
Grab the stand from the handle and remove it from the case.



Unfasten the stand wrap. Make sure the stand's handle is straight as shown. Pull up on the stand handle and step down on the footrest until the legs are fully extended.

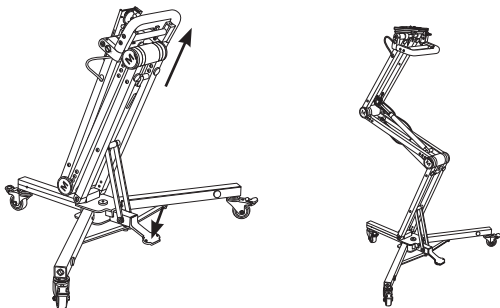


Press the caster locks to prevent the stand from moving.



Make sure the handle is pointed up as illustrated.

Firmly grip the handle with both hands and place a foot on the footrest. Squeeze the hand lock and use the handle to guide the stand up to the desired angle and height. Release the hand lock to secure the stand in place.

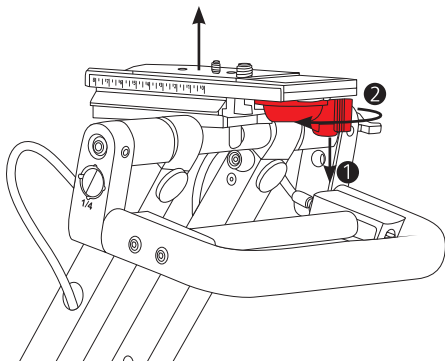


**Important!** The two sides of the hand lock separately operate the two articulating joints.

- The right side of the hand lock operates the upper articulating joint.
- The left side of the hand lock operates the lower articulating joint.
- Squeezing both sides of the hand lock unlocks both joints.

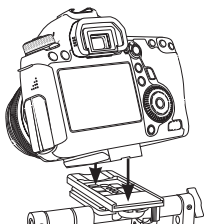
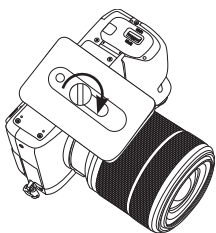
## Attaching a Camera

Remove the quick-release plate by pulling down on the safety latch ❶ and then sliding the locking lever to the left ❷ until the plate pops out from the mount.



Attach the quick-release plate to the base of your camera with the 1/4-20 mounting screw and tighten using the screw key. If your camera or other device has a 3/8-16 socket, remove the 3/8-16 screw from the side of the handle. There is an additional 1/4-20 screw on the other side of the handle.

Attach the camera/quick-release assembly to the mount by seating the front end of the plate into the mount. Then press the rear side down until it locks into place.

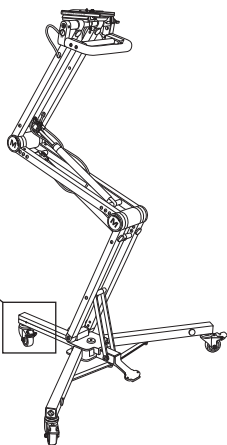
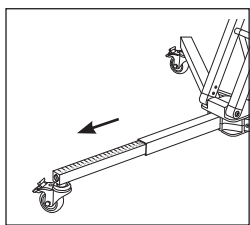


## Extending the Telescopic Leg

When adjusting the height and angle of the stand and camera, keep the center of gravity between the casters. If your setup needs greater stability, like shooting top-down over a subject, use the telescoping leg. Pull on the caster of the telescoping leg and slowly extend the leg until you see the stop mark.

### Caution!

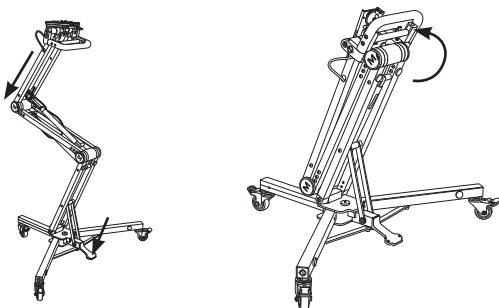
Do not extend the telescoping leg beyond the stop mark.



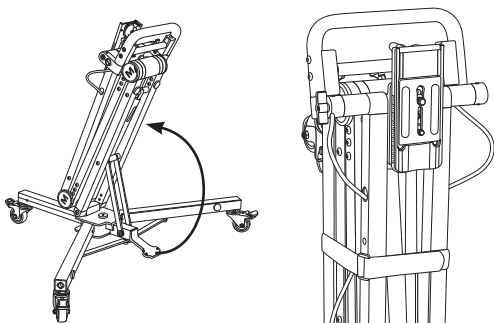
## Folding the Stand

Grip the handle with both hands. Step down on the footrest for stability. Squeeze the hand lock on both sides and push the handle forward and down to fold the middle section so it's parallel with the lower section.

Release the left side of the hand lock and continue to squeeze the right side. Tilt the handle up and fold the upper section down to the other two sections. Release the hand lock.



Retract the telescoping leg if extended. Grip the handle and pull up on the footrest to collapse the stand.



## Specifications

---

Maximum height: 55 in. (139.7 cm)

---

Minimum height: 24 in. (61 cm)

---

Folded length: 23 in. (58.4 cm)

---

Materials: Anodized aluminum alloy

---

Quick-release plate: 0.24 × 2.2 × 3.3 in.  
(0.6 × 5.5 × 8.3 cm)

---

Camera mounting screw: 1/4-20, 3/8-16

---

Built-in balance plate: Yes

---

Leg width: 31 in. (78.7 cm)

---

Front leg length: 10 in. (25.4 cm)

---

Telescoping leg length: 9 in. (22.9 cm)

---

Casters: 2 in. (5.1 cm)

---

Caster locks: Yes

---

Load capacity: 7.5 lb. (3.4 kg)

---

Weight: 16 lb. (7.25 kg)

---

## One-Year Limited Warranty

This MAGNUS product is warranted to the original purchaser to be free from defects in materials and workmanship under normal consumer use for a period of one (1) years from the original purchase date or thirty (30) days after replacement, whichever occurs later. The warranty provider's responsibility with respect to this limited warranty shall be limited solely to repair or replacement, at the provider's discretion, of any product that fails during normal use of this product in its intended manner and in its intended environment. Inoperability of the product or part(s) shall be determined by the warranty provider. If the product has been discontinued, the warranty provider reserves the right to replace it with a model of equivalent quality and function.

This warranty does not cover damage or defect caused by misuse, neglect, accident, alteration, abuse, improper installation or maintenance. EXCEPT AS PROVIDED HEREIN, THE WARRANTY PROVIDER MAKES NEITHER ANY EXPRESS WARRANTIES NOR ANY IMPLIED WARRANTIES, INCLUDING BUT NOT LIMITED TO ANY IMPLIED WARRANTY OF MERCHANTABILITY OR FITNESS FOR A PARTICULAR PURPOSE. This warranty provides you with specific legal rights, and you may also have additional rights that vary from state to state.

To obtain warranty coverage, contact the Magnus Customer Service Department to obtain a return merchandise authorization ("RMA") number, and return the defective product to Magnus along with the RMA number and proof of purchase. Shipment of the defective product is at the purchaser's own risk and expense.

For more information or to arrange service, visit [www.magnustripods.com](http://www.magnustripods.com) or call Customer Service at 212-594-2353.



Product warranty provided by the Gradus Group.  
[www.gradusgroup.com](http://www.gradusgroup.com)

Magnus is a registered trademark of the Gradus Group.

© 2026 Gradus Group LLC. All rights reserved.

GG2