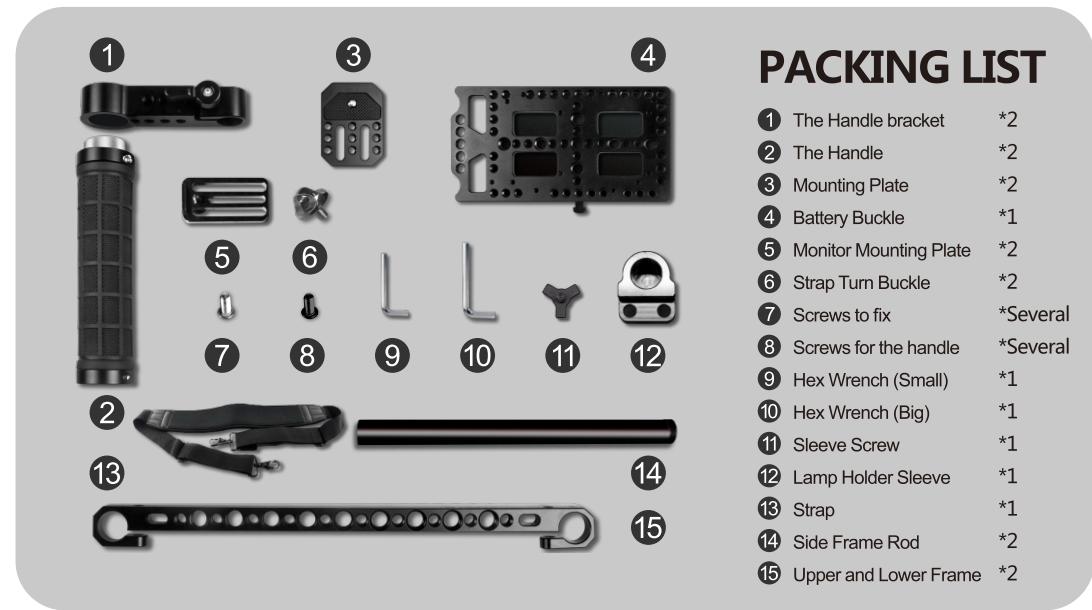


User Manual

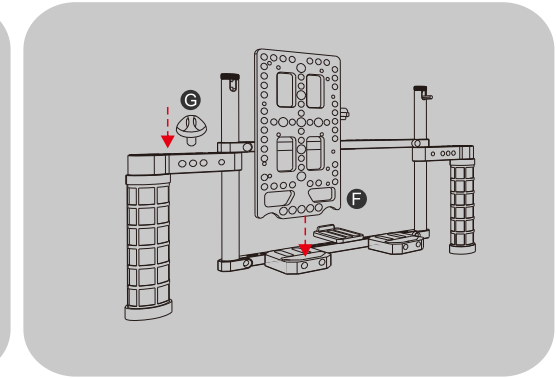
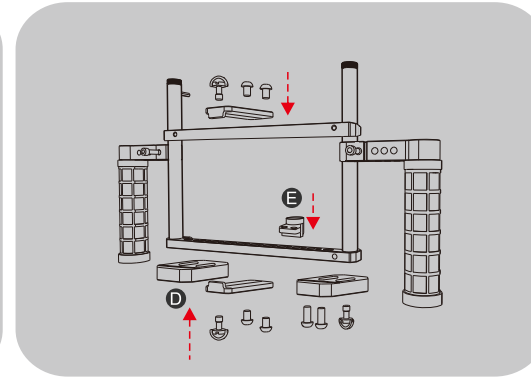
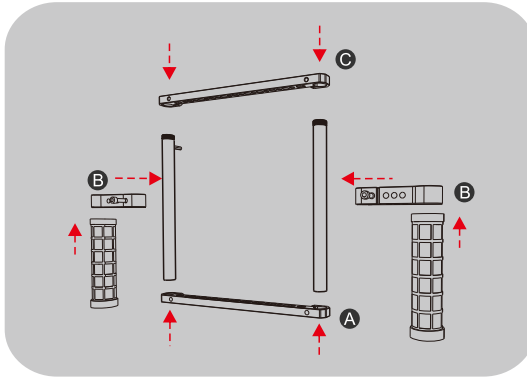
Version1.0

Thanks for choosing Hollyland products. Hollyland Monitor Cage V1 is especially designed for directors and cinematographers as monitor stand suite, with great characteristics of good extensibility, good compatibility, super multi mounting points and lightweight design.



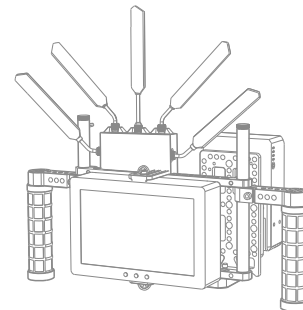
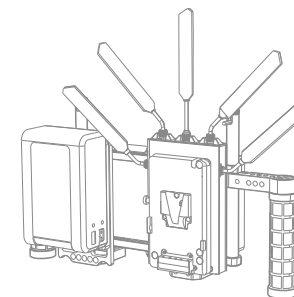
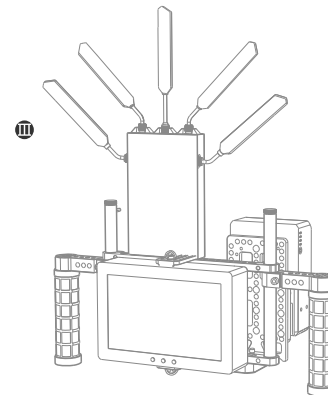
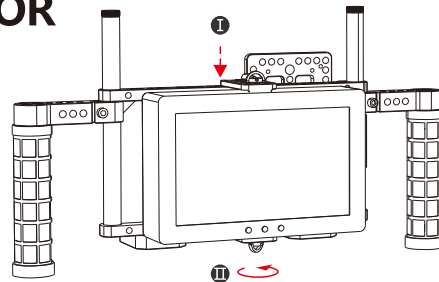
ASSEMBLY PROCESS

- Ⓐ Install the lower frame
- Ⓑ Install the holders
- Ⓒ Install the upper frame
- Ⓓ Install mount plate (1 at above, 3 on the below)
- Ⓔ Install lamp holder sleeve
- Ⓕ Install battery buckle
- Ⓖ Install strap turn buckle



INSTALL SMALL MONITOR

- Ⓘ Loosen the screws, then adjust the upper frame height to suit the monitor
- Ⓜ Tighten the screws and fix the monitor
- Ⓨ Install the Wireless receiver device



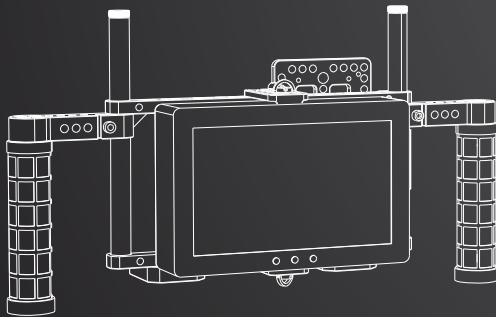
FOLLOW US

 HollylandTech  HollylandTech



MONITOR CAGE V1

Hollyland Monitor Cage V1 is especially designed for directors and cinematographers as monitor stand system



86-755-8614-6192
86-755-8600-0682
www.hollyland-tech.com
sales@hollyland-tech.com

6-7th Floor, 3th Building, 2th South District,
Honghualing Industry Park, Xili Town, Nanshan, Shenzhen, P.R. China

SHENZHEN HOLLYLAND TECHNOLOGY CO.,LTD

Copyright © Hollyland Technology Co.,Ltd