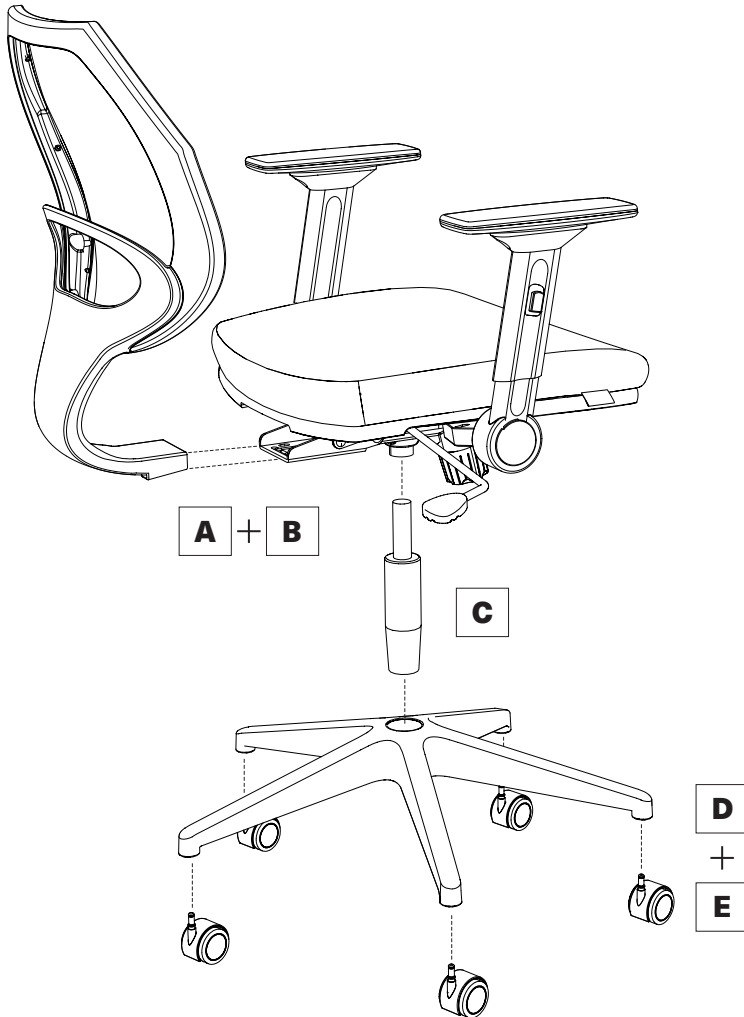


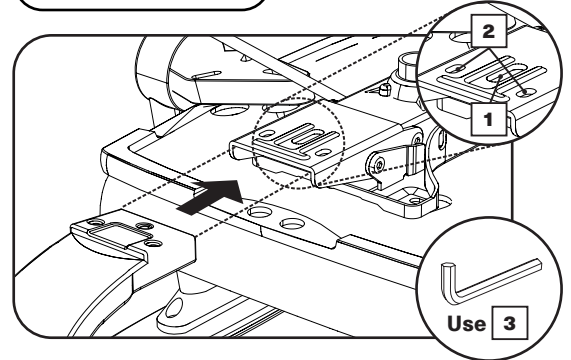
Voyager I™



Please follow the instruction for chair installation.

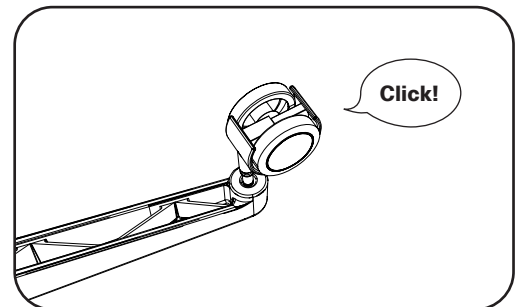


STEP A + B

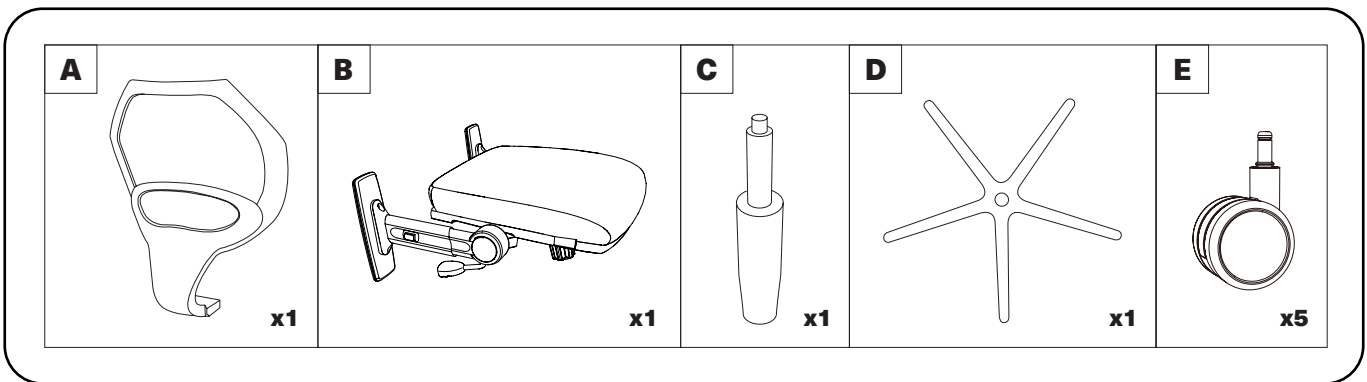


- ⚠ Ensure that every **1** **2** are screwed on correct location, then get all the screws tightened well.
- ⚠ All **1** and **2** screws are pre-locked on seat back **A**.

STEP D + E



- ⚠ Press the castor hard to the bottom until you hear a clear sound.



Please check whether there is any component missing before installation.

All **1** and **2** screws are pre-locked on seat back **A**.

