



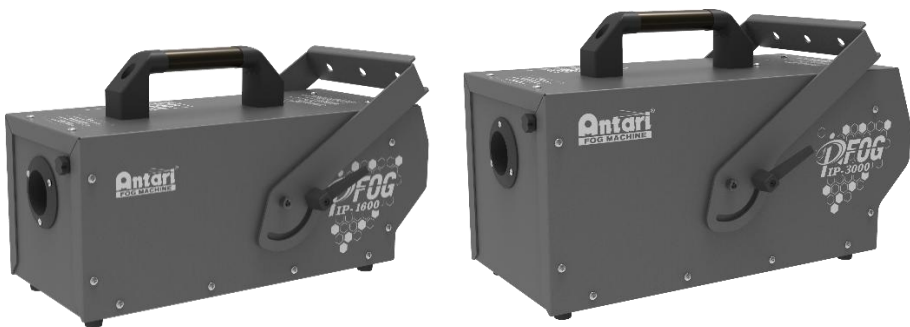
IP-1600 / IP-3000

Fog Machine

User Manual

- English

- 中文



© 2026 Antari Lighting and Effects Ltd.

1. Introduction	1
2. Safety Information	1
3. Package Contents & Inspection	2
4. Machine Details	3
5. Technical Label Information	3
6. Fog Fluid	3
7. Setting and Manual Operation	4
8. Control Settings	4
9. Machine Status	6
10. DMX Connection.....	6
11. RDM Function.....	7
12. WTR-20 Wireless Module (Standard).....	8
13. Service and Maintenance.....	8
14. Technical Specifications.....	9
15. Warranty Disclaimer	9
16. Machine Dimension.....	10
1. 前言	11
2. 安全注意事項	11
3. 包裝內容與檢查	13
4. 機器訊息.....	13
5. 技術標籤資訊	13
6. 煙霧水.....	14
7. 設定與手動操作說明	14
8. 控制設定.....	14
9. 機器狀態.....	15
10. DMX 說明.....	16
11. RDM 功能.....	16
12. WTR-20 無線控制模組(標配).....	17
13. 維護和保養	18
14. 技術規格.....	19
15. 保固聲明.....	19
16. 機器尺寸圖	20
Appendix I – Grounding Instruction.....	21




DFOG **IP-1600** **DFOG** **IP-3000**

User Manual

1. Introduction

Please read all the user manual before operating the machine, and place the manual where the user can refer to it at all time. The manual includes how to install and operate the machine under safe condition and explain all the labels printed on the machine. If you encounter any problem, contact your local Antari dealer for assistant immediately.

2. Safety Information

 DANGER	If the danger is not avoided, it will cause death or serious injury
 WARNING	If the warning is not heeded, it can cause death or serious injury.
 CAUTION	If the precaution is not taken, it may cause minor or moderate injury.



DANGER

- Must connect the machine to the correct rated voltage or it might lead to an electrical shock or a burn and may cause serious consequences.
- Must connect the machine to a protected circuit and ensure it is properly grounded to avoid the risk of electrocution. For grounding instruction, please refer to Appendix I on page 21.
- Do not operate the machine with a bundled power cord, it could lead to a fire hazard.
- When operating the machine, do not point at people, animals, or fire.



WARNING

- Machine's nozzle is extremely hot, please keep at least 50cm distance from the nozzle when the machine is running.
- Please operate the machine on a flat, level hard and well ventilated surface area, reserve at least 50cm space around the machine and make sure there is no flammable gas or material nearby.
- Do not disassemble, repair or modify the machine, it may cause damages, malfunction, risk of electrical shock or result in fire.
- The machine can only be operated by adults or professionals, is not intended for use by person with reduced physical sensory, mental capabilities, or lack of experience and knowledge including children.
- Do not leave the machine running unattended, make sure all powers are off when leaving.
- Children should be supervised to ensure that they do not play with the machine.
- Do not use the machine upside down or tilt it, it might cause damages or malfunction.
- Please store the fluid inside in a well ventilated area without direct sunlight and keep out of reach of children. In case of eye contact or accidentally swallow the fluid, please seek medical attention immediately.



CAUTION

- The machine is water splash resistance, do not expose the machine to poor drainage environment or soak in the water.
- Please make sure the power outlet is not damaged or loose before plug in the power cord.
- If the power cord is damaged, it must be replaced by Antari or its local dealers, otherwise the warranty will be void.
- Before operating the machine, please sure the fluid is filled in the fluid tank to avoid the pump in idling state which could lead to overeat or malfunction.
- Before transporting the machine, please make sure it is complete cool down. (Recommend using original package)
- Do not operate the machine in any area with unstable voltage.
- If you experience strange sound or malfunction, turn off the power and unplug the power cord immediately and contact your local Antari dealer for assistant.
- Do not contact any moving part.
- Only use accessories recommended or sold by Antari.
- Please make sure the power is off when not using the machine and unplug the power cord if not intend to use for a long period of time.
- To disconnect, turn all controls to the off position, then remove plug from outlet.
- Do not unplug by pulling on cord. To unplug, grasp the plug, not the cord.
- Unplug from outlet before servicing or cleaning.
- Do not operate the machine with a damaged cord or plug, or after the machine malfunctions or is dropped or damaged in any manner. Return machine to the nearest authorized service facility for examination, repair, or electrical or mechanical adjustment.
- To ensure the lifespan of the machine, please only use the fluid manufactured by Antari, do not use other fluid or additive, otherwise it may clog the heater and cause malfunction.



IP64 RATED

The **International Protection (IP)** rating system is commonly expressed as “**IP**” (Ingress Protection) followed by two numbers (i.e. IP64), where the numbers define the degree of protection. The first digit (Foreign Bodies Protection) indicates the extent of protection against particles entering the fixture, and the second digit (Water Protection) indicates the extent of protection against water entering the fixture. An **IP64** rated machine is designed and tested to protect against the ingress of dust (6), and low-pressure water jets from any direction (4).

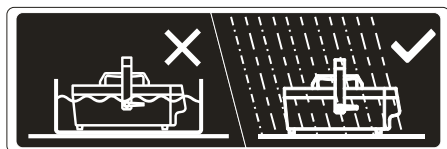
NOTE: THE MACHINE IS INTENDED FOR TEMPORARY OUTDOOR USE ONLY!

Before operating the machine, please read all warning labels on the machine, description as below;

Top Cover Printing

WARNING!

HOT NOZZLE! KEEP AT LEAST 50 CM DISTANCE



This machine is splash resistant only. Do not soak in the water.

WARNING!

DISCONNECT POWER BEFORE CHANGING FUSE

USE ONLY WITH ADULT SUPERVISION

DO NOT OPERATE WITHOUT LIQUID

NO USER SERVICEABLE PARTS INSIDE

3. Package Contents & Inspection

3.1 Package Contents

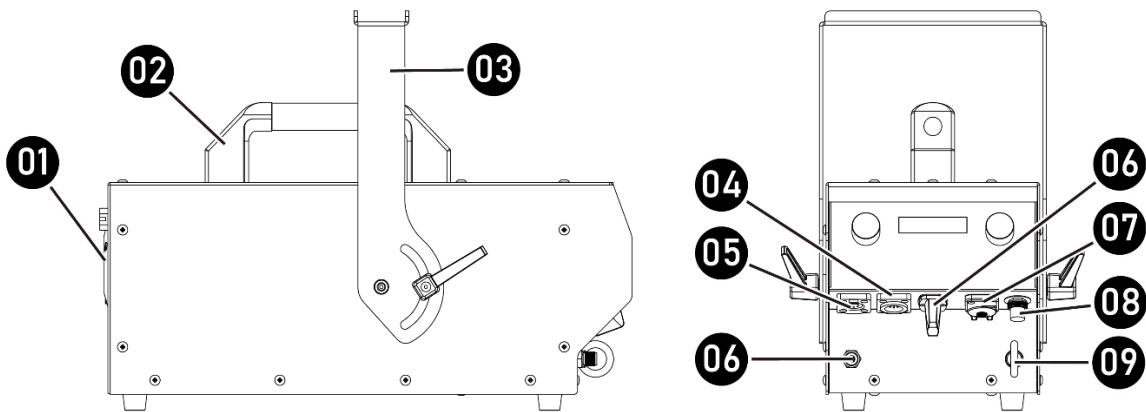
Immediately upon receiving the machine, carefully unpack the carton, check the content to ensure it is the correct model and all parts are included. If any part appears to be damaged or missing during transportation, please contact your local dealer and return in original package for inspection.

IP-1600	IP-3000
1 x IP-1600 Fog Machine	1 x IP-3000 Fog Machine
1 x Neutrik powerCON Power Cable	1 x Neutrik powerCON Power Cable
1 x W-2 Wireless Transmitter	1 x W-2 Wireless Transmitter
1 x Hanging Bracket	1 x Hanging Bracket
1 x User Manual or Scan QR Code on the Machine	1 x User Manual or Scan QR Code on the Machine

3.2 Optional Accessories

Item Code	Description
N/A	N/A

4. Machine Details




01. Nozzle	06. Fluid Connector
02. Handle	07. W-2 Wireless Receiver
03. Hanging Bracket	08. Neutrik powerCON Connector (Power)
04. LCD Display	09. Breaker
05. XLR 5-Pin Connector (DMX)	10. Safety Ring

5. Technical Label Information

Please read the technical label information on the back of the machine before operating it.


1. Model Name	5. Breaker/Fuse
2. Input Voltage	6. QR CODE for User Manual
3. Frequency	7. Serial No.
4. Rated Power	

6. Fog Fluid

 CAUTION	Always turn off the power before filling the fluid tank. Do not add flammable liquid to the fluid tank. If fluid gets inside the machine, please contact your local Antari dealer for assistant.
--	--

- Only the fog fluid manufactured by Antari can be used, do not mix or dilute the fog fluid. Due to improper storage or using other fluid might clog the heater and cause malfunction.
- The machine is tested and calibrated with the specific fog fluid to get the best performance.
- Please empty the fluid in the tank before switching to another fluid to avoid mixing.
- Only the essence manufactured by Antari can be used, and add according to the ratio recommended by Antari (Recommended ratio is 1:1000), if using other essence or different ratio might clog the heater and cause malfunction.
- The warranty on your fog machine will be void if you use fog fluid not manufacture by Antari.

7. Setting and Manual Operation

 <p>WARNING</p>	<p>Machine falling off might cause serious injury, please make sure it is secure and firm on the overhead.</p>
---	--

- Step 1.** Place the machine on a flat, level hard and well ventilated surface area and reserve at least 50 cm open space around the machine, and make sure there is no flammable gas or material nearby;
- Step 2.** Please use Antari approved fog liquid, and make sure the tube is not twisted;
- Step 3.** Connect the machine to the power outlet. Please read the technical label on the back of the machine and make sure the power outlet is the correspond to the rated voltage for the machine;
- Step 4.** Turn on the machine, warm up process takes approximately 10 minutes. Once the machine has reached operating temperature, the LCD display will show “Ready To Fog”. Now the machine is ready for operation;
- Step 5.** To start fogging in Volume Mode, please press the [VOLUME] knob on the right side of the control panel. To stop fogging, please press the [VOLUME] knob again. This will run based on “volume” setting in the menu;
- Step 6.** To start fogging in Timer Mode, please press the [TIMER] knob of the left side of the control panel, to stop fogging press [VOLUME] knob again. This will run based on “interval” & “duration” setting in the menu;
- Step 7.** To enter the setting menu, press [TIMER] knob and hold for 3 seconds, rotate the [TIMER] knob to scroll through options, press [TIMER] knob to enter the option; rotate the [TIMER] knob to adjust value; press [TIMER] knob to confirm selection and press [VOLUME] knob to return to the previous page;
- Step 8.** To turn off the machine, please make sure the machine is not operating then turn of the power. If you will not use the machine a long period of time, please remove the power cord.

8. Control Settings

IP-1600 / IP-3000 Fog Machine can be operated in the following methods. The machine can be operated by only 1 control method at a time.

- Manual
- Timer
- DMX512
- Wireless

8.1 Control Panel Description

[TIMER] knob Middle is LCD Display [VOLUME] knob



Fogging in Volume Mode

Rotary Knob	Operating Method	Action
VOLUME knob (Right)	Rotate	Adjust Output Volume
VOLUME knob (Right)	Press once	Activate/Deactivate Fogging
VOLUME knob (Right)	Press and Hold	Activate Force Fogging (100% output)

Fogging in Timer Mode

Rotary Knob	Operating Method	Action
TIMER knob (Left)	Press once	Activate Timer Mode
VOLUME knob (Right)	Press once	Deactivate Timer Mode
VOLUME knob (Right)	Rotate	Adjust Output Volume
VOLUME knob (Right)	Press and Hold	Activate Force Fogging (100% output)

Menu and Setting

Rotary Knob	Operating Method	Action
TIMER knob (Left)	Press and Hold for 3 seconds	Enter Setting Menu
TIMER knob (Left)	Rotate	Scroll Through Menus
TIMER knob (Left)	Press once	Enter/Confirm Selection
TIMER knob (Left)	Rotate	Adjust for Preferred Value
VOLUME knob (Right)	Press once	Return to Previous Page

8.2 Menu Options Description

Options	Description
Timer Interval	1-200 sec
Timer Duration	1-200 sec
Timer Output	1-100% / NONSTOP
Volume Output	1-100% / NONSTOP
DMX512	001-512
Wireless Remote	Pair / Unpair
Fluid Sensor	On / Off
Run Last Set	On / Off
LCD Backlight	Always On / Auto Off
Keypad Sound	On / Off
Fluid Type	FLG / FLR / FLZ / FLY / FLJ / FLH
Language	English / 中文 / 日本語
Factory Reset Proceed?	Yes

9. Machine Status

9.1 Machine Status with LCD Display

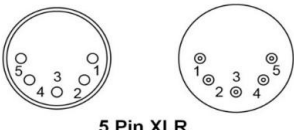
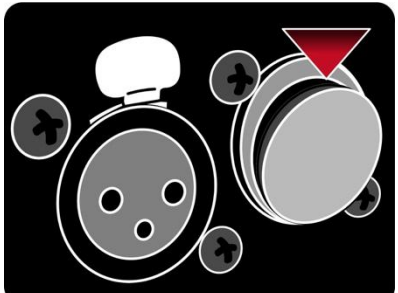
Screen	Description
Antari “Model” v1.0	Software Version
AC Voltage AC-120V 60Hz	Input Voltage
Energy 100% WS Ready to Fog	Ready to Fog W – Wireless Control Function Activate S – Fluid Sensor Function Activate
Volume Output 100%	Manually Activate Fogging
Interval 200 sec Duration 200 sec	Running at Timer Mode, Interval time Running at Timer Mode, Duration time
DMX512 Add: 001	DMX in Use
Manual Output	Priming Fluid
Run Sleep 180 sec	Sleep Mode, Countdown 180 sec
Warm Up 10 %	Warming Up
Empty Fluid	No Fluid.
Heater Overheat	Heater is Overheated.
Heater Fault	Heater Malfunction
Thermal Line Off	Thermal Line Break Off
Line Reversed	Thermal Line Reverse Connection
Wrong!! AC Power	Incorrect AC Power

**If LCD control panel display “Warning”, please stop operating and turn off the machine immediately. Please contact your local Antari dealer for assistance.

10. DMX Connection

10.1 DMX Connector Pin Assignment

This machine has a XLR 5-Pin connector for DMX connection. The diagram below indicates pin assignment information;

 <p style="text-align: center;">5 Pin XLR</p>		<p>**There is a protection cap on DMX IN, please remove it with your finger before operation.</p> 											
<table border="1"> <thead> <tr> <th>Pin</th> <th>Function</th> </tr> </thead> <tbody> <tr> <td>1</td> <td>Ground</td> </tr> <tr> <td>2</td> <td>Data-</td> </tr> <tr> <td>3</td> <td>Data+</td> </tr> <tr> <td>4</td> <td>N/A</td> </tr> <tr> <td>5</td> <td>N/A</td> </tr> </tbody> </table>	Pin		Function	1	Ground	2	Data-	3	Data+	4	N/A	5	N/A
Pin	Function												
1	Ground												
2	Data-												
3	Data+												
4	N/A												
5	N/A												

10.2 DMX Channel Function

1 Channel Mode		DMX Value Range	Function
Channel 1	Fog Output Level	0 – 5	Off
		6 – 255	1 – 100%

11. RDM Function

IP-1600 / IP-3000 Fog Machines are RDM enabled, allowing control system to configure, monitor and manage. See below table for supported RDM parameters.

GET Allowed	SET Allowed	Category	RDM Parameter ID's(Slot 21-22)	Value	Required	
		NetworkManagement 網路管理	DISC_UNIQUE_BRANCH	0x0001	O	
					0x0002	O
					0x0003	O
O		RDM Information RDM 資訊	QUEUED_MESSAGE	0x0020		
O				STATUS_MESSAGES	0x0030	
O				SUPPORTED_PARAMETERS	0x0050	O
O				PAPAMETER_DESCRIPTION	0x0051	O
O		Product Information 產品資訊	DEVICE_INFO	0x0060	O	
O				PRODUCT_DETAIL_ID_LIST	0x0070	
O				DEVICE_MODE_DESCRIPTION	0x0080	
O				MANUFACTURER_LABEL	0x0081	
O	O			DEVICE_LABEL	0x0082	
O				SOFTWARE_VERSION_LABEL	0x00C0	O
O	O	DMX512 Setup DMX512 設定	DMX_PERSONALITY	0x00E0		
O				DMX_PERSONALITY_DESCRIPTION	0x00E1	
O	O			DMX_START_ADDRESS	0x00F0	O
O				SLOT_INFO	(0x0120)	
O				SLOT_DESCRIPTION	(0x0121)	
O				DEFAULT_SLOT_VALUE	(0x0122)	
O		Sensors 感應器	SENSOR_DEFINITION	0x020		
O	O			SENSOR_VALUE	0x0201	
O		Control 控制	DEVICE_HOURS	0x0400		
O	O			IDENTIFY_DEVICE	0x1000	O
O	O			POWER_STATE	0x1010	

12. WTR-20 Wireless Module (Standard)

WTR-20 Wireless Module is a standard accessory for IP-1600/IP-3000 Fog Machine, it included a W-2 wireless transmitter and a W-2 wireless receiver (Already installed on the machine), it's ready to use. If you encounter any problem, please contact your local Antari dealer for assistant.

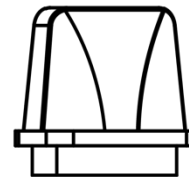
12.1 W-2 Wireless Transmitter & Receiver

- Battery : 27A 12V
- Effective Range : The effective range is approximately 50 meter, depends on actual condition, it may vary.
- If the effective range is significantly shorter, please change battery.
- W-2 wireless transmitter has 4 buttons, each function as follow:

Button	Function
[A]	Start Fogging
[B]	Stop Fogging
[C]	Increase fog output
[D]	Decrease fog output



W-2 Wireless Transmitter



W-2 Wireless Receiver

12.2 Pair & Unpair

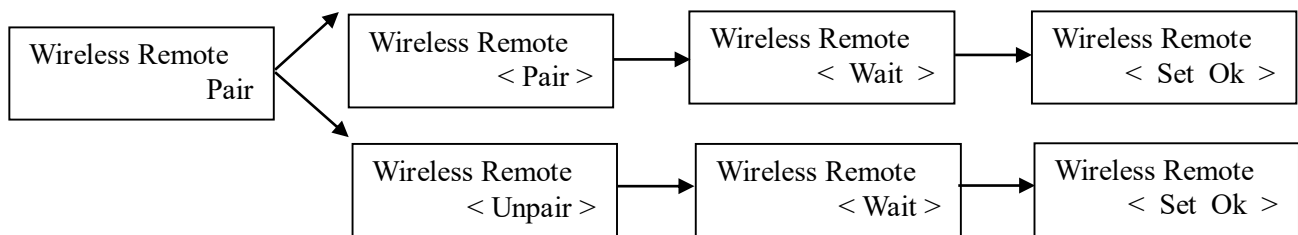
Each receiver can pair up to 5 transmitters, please follow the steps below to pair or unpair the module;

Step 1. Press and hold the [TIMER] knob for 3 seconds to enter menu;

Step 2. Rotate the [TIMER] knob to [Wireless Remote];

Step 3A. Press the [TIMER] knob to show <Pair>, please press it again to show <Wait>, then please press [Button A] of your W-2 Wireless Transmitter and wait display shows < Set Ok> to complete the pair procedure.

Step 3B. Press the TIMER knob to show <Unpair>, please press it again to show <Wait> and then shows < Set Ok> to complete the unpair procedure.



13. Service and Maintenance



DANGER

Disconnect the power cord before starting maintenance operation!

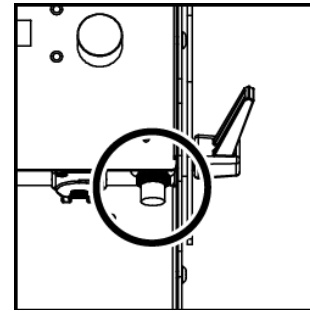
- Always keep the machine clean and dry.
- Can use air compressor, vacuum or a soft brush to remove the dust on the machine.
- Can use a slightly damp cloth to clean the casing.
- Before store the machine, please make sure the machine is completely cool down to avoid moisture inside causing malfunction.
- It is recommended to run the machine at least once a month in order to maintain the machine's best performance and output condition.
- Excessive dust and build up liquid residue will reduce the performance and cause overheat.

13.1 No Fuse Breaker

Please follow below steps to reset the breaker;

- When the button pop up shows in Figure 1, simply push the button back to reset.

**If the breaker (button) still jumps off after reset, please contact your local Antari dealer for assistance.



14. Technical Specifications

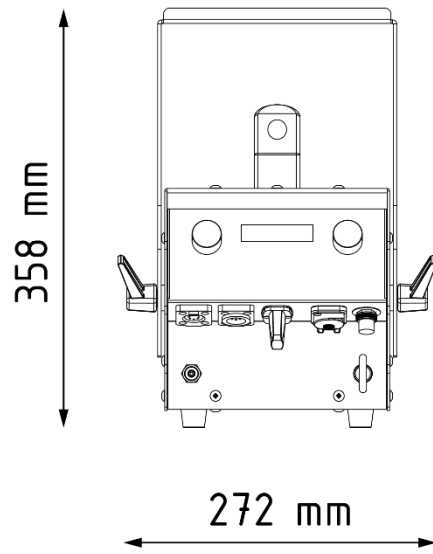
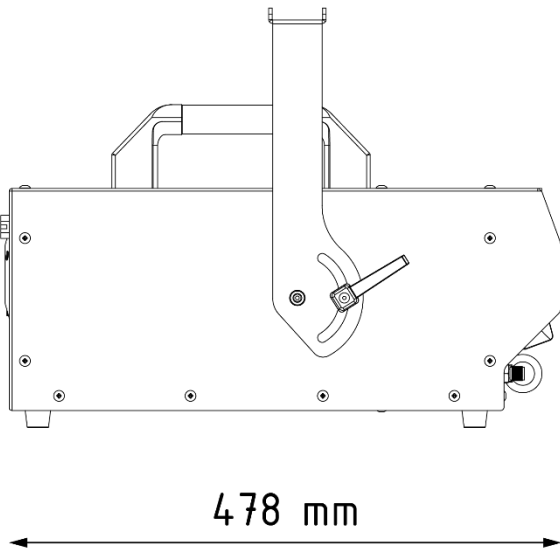
	IP-1600	IP-3000
Input Voltage	US Model: AC 100-120V, 50/60Hz 12.5A EU Model: AC 220-240V, 50/60Hz 6.5A	EU Model: AC 220-240V, 50/60Hz 11 A
Rated Power	1500W	2500W
Warming-up Time	9 minutes	10 minutes (approx.)
Fluid Consumption	150 ml/min (100% output)	250 ml/min (100% output)
Fluid Tank Capacity	N/A	
Compatible Fluid	Antari FLG Regular Dense & Regular Dissipating Fog Fluid Antari FLH Extremely Thin & Fast Dissipating Fog Fluid Antari FLJ Extremely Thin & Extremely Fast Dissipating Fog Fluid Antari FLR Extra Dense & Extremely Fast Dissipating Fog Fluid Antari FLY Extremely Dense & Extremely Long Lasting Fog Fluid Antari FLZ Super Dense & Super Long Lasting Fog Fluid	
Ambient Temp. Range	0°C – 40°C (32°F – 104°F)	
Control Methods	Manual 、 Timer 、 DMX512 、 Wireless	
Interface	XLR 5-Pin Connector (DMX) 、 Neutrik powerCON Connector (Power)	
DMX Channels	1 Channel	
Included Accessories	Hanging Bracket 、 W-2 Wireless Transmitter	
Optional Accessories	N/A	
Dimension	L 478 W 272 H 358 mm (L 18.82 W 10.71 H 14.10 inch)	L 511 W 309 H 394 mm (L 20.12 W 12.17 H 15.52 inch)
Weight	12.6 kg (27.78 lbs.)	18.6 kg (41.01 lbs.)

15. Warranty Disclaimer

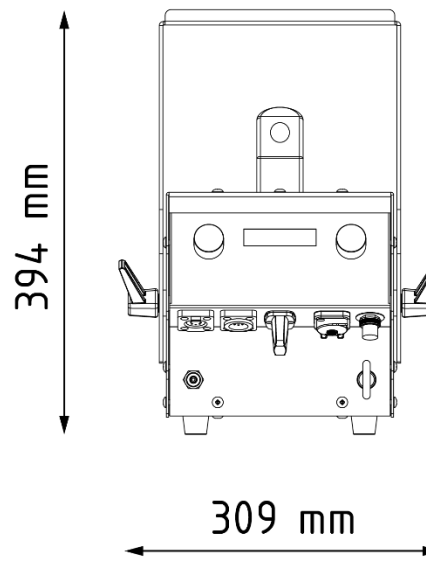
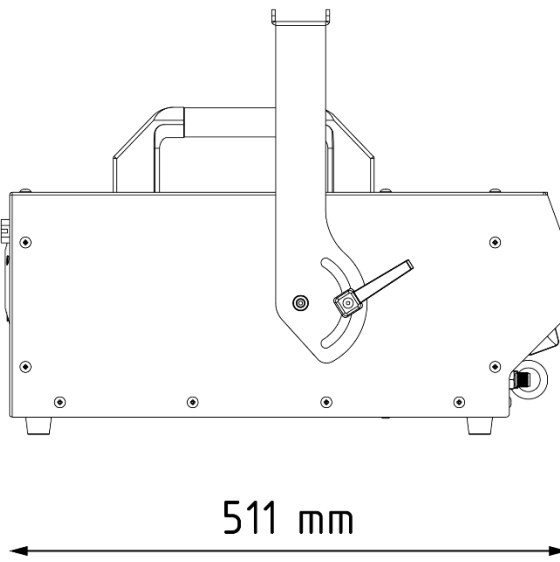
We guarantee the merchandise manufactured by us to be free from defect in material and workmanship for a period of one year. Our obligation and liability under this warranty shall be restricted to repair or replacement at our factory or local authorized dealer. We assume no liability of the products that are improperly used or used for any purpose other than that for which they are specially designed. This warranty shall not apply to any merchandise which has been repaired, altered or assembled outside our factory in any way so as in our judgment to affect its performance, nor which has been subjected to misuse, negligence, or accident nor to any merchandise operated contrary to our printed instructions. We will not allow or be liable of any loss or any damages of any kind in connection with the use, sale, or repair of any merchandise purchased from us.

16. Machine Dimension

IP-1600



IP-3000








中文使用說明書

1. 前言

在操作本機器之前，請務必仔細詳閱本說明書然後請將本說明書放置在機器使用者可隨時查閱之處存放。此說明書包含如何安全的安裝及操作本機器以及說明所有在機器上的標示。如果您有任何操作上的問題，請立即聯繫當地的 Antari 經銷商尋求協助。

2. 安全注意事項

 危險	若不確實避免這些指示，可能導致嚴重人身傷害甚至死亡。
 警告	若不確實遵循這些指示，可能導致嚴重人身傷害甚至死亡。
 注意	若不確實注意這些指示，可能導致人身傷害甚至死亡，嚴重程度視情況而定。

危險

- 請務必使用正確電壓。如果使用錯誤電壓，可能會遭受危險的電擊燒傷或更嚴重的後果。
- 請務必將機器連結到有保護的電路，並確保有正確的接地，以避免觸電的危險。關於接地方式請參考第 21 頁附錄 I。
- 請勿在捆綁電源線的情況下使用，可能會發熱導致火災。
- 操作機器時請勿將機器對著人體、動物或火焰使用。

警告

- 機器的噴嘴非常燙。當機器工作時，請遠離噴嘴 50 公分以上。
- 請於堅固、平坦、穩定且通風良好的表面上使用機器。請勿遮蓋機器散熱部份，機器周邊至少應保留 50 公分的空間並確認附近沒有易燃性物質或可揮發性氣體。
- 請勿隨意拆卸、修理或改造機器，這可能會導致機器故障、損壞、觸電危險或造成火災。
- 本機器僅限有行為能力之成人或專業人員操作，不預期提供生理、感知、心智能力、經驗或知識不足者之使用者(包含孩童)使用本機器。
- 請勿在無人看管時讓機器運作，並於外出離去時確實關閉電源。
- 孩童應受監督，以確保孩童不能操作或嬉戲玩本機器。
- 請勿將機器倒放或傾斜使用，可能導致機器動作不正常或損壞。
- 請將液體存放在室內孩童無法取得之處，保持通風及避免陽光直射。如果有觸碰眼睛或誤食機器，請立即尋求醫生的協助。



注意

- 本機器為防潑水設計，嚴禁將其浸水或放在排水不良易積水的環境。
- 在插入電源插座前，請確認電源插座無損壞或鬆動。
- 若電源線損壞，必須使用原廠電源線或組件進行更換，否則將導致保固無效。
- 請在使用機器之前，先填裝好煙霧水，避免機器幫浦空轉過熱造成損害。機器在搬運前或使用完畢後，請清空油桶。
- 在運輸本機器前，請確認機器已完全冷卻並且包裝完整。(建議使用原廠包裝)
- 請勿在電壓不穩定的地區使用本機器。
- 如果機器出現異常聲音或有任何不正常現象時，請立即停止工作，將電源關閉及拔下機器電源線，並請聯繫當地的 Antari 經銷商尋求協助。
- 請勿觸碰機器內部運轉零件。
- 只能使用原廠建議或販售之配件。
- 請確認機器不在使用的狀態下電源已關。如果長時間不使用機器，請拔掉電源線。
- 關閉機器時，將控制開關轉到關閉的位置，然後再將插頭從插座拔除。
- 拔除電源線時，請抓住插頭不是電線。
- 在保養及清潔前，請把電源線從插座拔除。
- 在電線或插座有損毀、機器故障或有掉落或損壞的情形發生時，請勿操作機器。請將機器送回最近的維修站，做檢查、維修及電源或機械的調整。
- 為確保機器的使用壽命，請使用 Antari 原廠製造之煙霧水，勿使用其它非 Antari 原廠製造煙霧水或添加劑，否則可能會導致電熱管阻塞和故障。



IP64 防護等級

國際防護 (IP) 等級系統通常表示為「IP」(防護等級)，後面跟隨兩個數字 (例如 IP64)，這些數字定義了防護程度。第一個數字 (防異物保護) 表示對進入設備的顆粒的防護程度，第二個數字 (水防護) 表示對水進入設備的防護程度。IP64 防護等級的機器經過設計和測試，可防止灰塵 (6) 的進入，並能承受來自各個方向的低壓水流 (4)。

注意：此機器僅適用於臨時戶外使用！

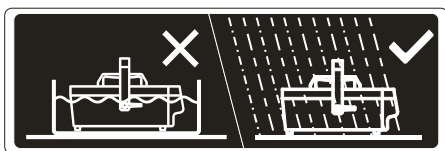
在使用本機之前，請詳細閱讀機器上的警語標示，說明如下：

上蓋印刷

WARNING! 警告!

HOT NOZZLE! 出煙口高溫!

KEEP AT LEAST 50 CM DISTANCE 請保持至少 50 公分的距離



This machine is splash resistant only. Do not soak in the water.

WARNING! 警告!

DISCONNECT POWER BEFORE CHANGING FUSE. 更換保險絲前請務必斷開電源

USE ONLY WITH ADULT SUPERVISION. 僅在成人監督下使用

DO NOT OPERATE WITHOUT LIQUID. 請勿在沒有液體的情況操作本機台

FOR INDOOR USE ONLY. KEEP DRY. 僅限室內使用 請保持乾燥

NO USER SERVICEABLE PARTS INSIDE. 內部無使用者可維修之零配件

3. 包裝內容與檢查

在收到機器後，請立即小心地打開包裝紙箱，檢查所有內容，確認您所購買的機型及配件。如果有任何部件因運輸過程出現損壞或缺少，請立即連絡經銷商，並以原包裝退回檢查。

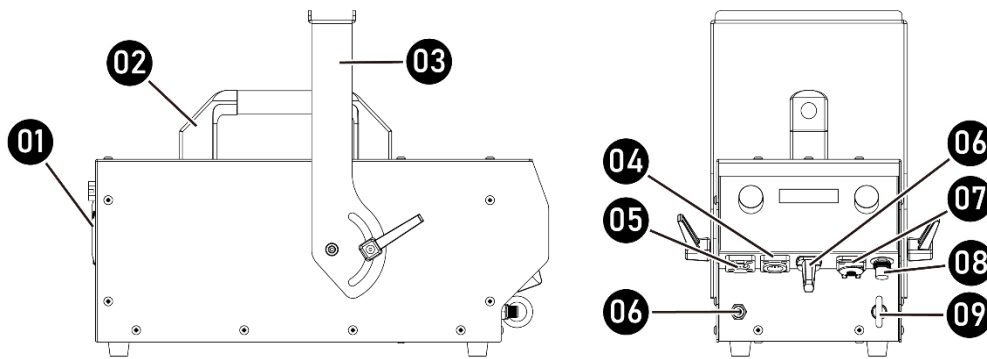
3.1 包裝內容

IP-1600	IP-3000
1 x IP-1600 煙霧機	1 x IP-3000 煙霧機
1 x Neutrik powerCON 電源線	1 x Neutrik powerCON 電源線
1 x W-2 無線發射器	1 x W-2 無線發射器
1 x 吊架	1 x 吊架
1 x 說明書或掃描機身 QR CODE	1 x 說明書或掃描機身 QR CODE

3.2 選配說明

品項	描述
N/A	N/A

4. 機器訊息



01. 噴煙口	06. 液體連接頭
02. 把手	07. 無線接收器(標配)
03. 吊架	08. Neutrik powerCON 連接頭(電源)
04. 液晶顯示器	09. 無熔絲斷路器
05. XLR 5-Pin 連接頭(DMX)	10. 安全吊環

5. 技術標籤資訊

使用本機器前，請詳閱技術標籤上的訊息

1. 機器型號	5. 斷路器/保險絲
2. 工作電壓	6. 說明書 QR CODE
3. 頻率	7. 機器流水序號
4. 瓦特數	

6. 煙霧水



危險

將液體加入機器之前，請務必先拔除電源線。請勿添加易燃液體。如果發現液體流入機器內部，請洽 Antari 原廠或其經銷商尋求協助。

- 僅能使用 Antari 原廠製造之煙霧水，不可混用或稀釋。若因保存不當而變質或使用非原廠煙霧水，將可能造成電熱管堵塞而導致機器故障。
- 本機器是使用專屬的煙霧水做測試與校正來取得最佳的效能。
- 如需更換另一種液體，請在使用前，先將油桶中的液體清空，以避免混合。
- 僅能使用 Antari 原廠製造之香精，並依照原廠建議比例添加(原廠建議比例為 1:1000)，如果使用非原廠的香精或比例添加有誤，將可能造成電熱管阻塞而導致機器故障。
- 如果使用非原廠製造之煙霧水或香精而導致煙霧機損壞將不在保固範圍內。

7. 設定與手動操作說明



警告

機台掉落可能會造成嚴重傷害，請確保本機台安裝牢固且不會掉落。

- 步驟1.** 將機器平放在堅固、平坦、穩定且通風良好的表面上，機器周圍至少應保留 50 公分的空間並確認附近沒有易燃性物質或可揮發性氣體;
- 步驟2.** 使用 ANTARI 原廠專用煙霧水，注意不要折到油管;
- 步驟3.** 將機器連接電源，連接之前，確認機器背後技術標籤上所標示要求功率，是否與電源插座相符;
- 步驟4.** 啟動機器電源後，使機器開始加熱。機器加熱到可工作溫度大約需要 10 分鐘。當機器達到工作溫度時，螢幕會顯示“Ready to Fog”，表示機器已經準備好可進行操作;
- 步驟5.** 欲在手動模式啟動噴煙，請按下控制面板上右邊的[VOLUME]旋鈕；停止噴煙，請再次按下[VOLUME]旋鈕。這個會按照選單中的“輸出量”運行;
- 步驟6.** 欲在定時模式啟動噴煙，請按下控制面板上左邊的[TIMER]旋鈕；停止噴煙，請再次按下[VOLUME]旋鈕。這個會按照選單中的“間隔時間”與“噴煙時間”運行;
- 步驟7.** 長按[TIMER]旋鈕 3 秒鐘進入設定選單，旋轉[TIMER]旋鈕瀏覽選項。按下[TIMER]旋鈕進入選項，旋轉[TIMER]旋鈕修改數值，然後再次按下[TIMER]旋鈕確認。按下[VOLUME]返回上一頁;
- 步驟8.** 需關閉本機時，請確認機器已停止運轉，再將電源開關關閉即可，長時間不使用時請移除電源線。

8. 控制設定

IP-1600 / IP-3000 煙霧機可以使用下列控制方式，機器每次只能使用一種控制方式。

- 手動控制
- 定時控制
- DMX512
- 無線控制

8.1 控制面板說明

左方為 TIMER 旋鈕

中間為液晶顯示器

右方為 VOLUME 旋鈕



手動噴煙模式

旋鈕	操作方式	動作
VOLUME 旋鈕 (右方)	旋轉	調整煙霧輸出量
VOLUME 旋鈕 (右方)	按一下	啓動/關閉 噴煙
VOLUME 旋鈕 (右方)	按住不放	啓動強制噴煙(100%輸出)

定時噴煙模式

旋鈕	操作方式	動作
TIMER 旋鈕 (左方)	按一下	啓動 TIMER 模式
VOLUME 旋鈕 (右方)	按一下	關閉 TIMER 模式
VOLUME 旋鈕 (右方)	旋轉	調整煙霧輸出量
VOLUME 旋鈕 (右方)	按住不放	啓動強制噴煙(100%輸出)

進入設定選單模式

旋鈕	操作方式	動作
TIMER 旋鈕 (左方)	按住約 3 秒鐘	進入設定選單
TIMER 旋鈕 (左方)	旋轉	瀏覽清單
TIMER 旋鈕 (左方)	按一下	確定
TIMER 旋鈕 (左方)	旋轉	調整數值
VOLUME 旋鈕 (右方)	按一下	返回前一頁

8.2 選單說明

選項	設定值
定時間隔時間	1 - 200 秒
定時噴煙時間	1 - 200 秒
定時輸出量	1 - 100% / NONSTOP
手動輸出量	1 -100% / NONSTOP
DMX512	001-512
無線遙控	配對 / 取消配對
油量感應器	開啓 / 關閉
自動啟動	開啓 / 關閉
LCD 背光	持續開啓 / 自動關閉
按鍵音	開啓 / 關閉
煙油選項	FLG / FLY / FLZ / FLR / FLJ / FLH
語言選項	English / 中文 / 日本語
恢復原廠設定	執行

9. 機器狀態

9.1 機器狀態說明

面板畫面	說明
Antari “型號” 軟體版本 v1.0	機器軟體版本
AC Voltage AC-120V 60Hz	電源電壓
Antari “型號” WS 噴煙就緒	噴煙預備中 W 代表 Wireless 無線控制功能已啓動。


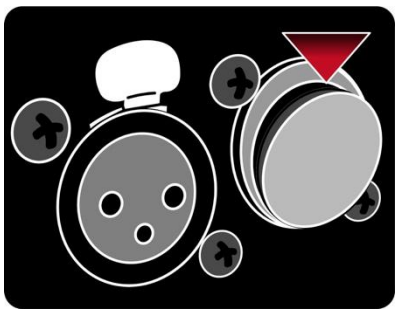
面板畫面	說明
	S 代表 油量感應器功能已啓動。
手動輸出量 100 %	手動噴煙執行中
間隔時間 200 秒 啟動時間 200 秒	定時噴煙執行
DMX512 地址 001	DMX 執行中
手動強制噴煙	強制抽油執行中
休眠倒數 180 秒	休眠倒數：180 秒
機器加熱中 10 %	加熱中
無煙油	空油
機器過熱	加熱器過熱
電熱管異常	加熱器故障
溫度線斷開	溫度線斷開
溫度線反接	溫度線反接
錯誤的 AC 電源	錯誤的 AC 電源

**控制面版出現警告的訊息，請立即停止操作機器並關閉電源之後，請與當地的 Antari 經銷商尋求協助。

10. DMX 說明

10.1 DMX 說明

本機提供 5-PIN 的 DMX 連接頭。PIN 的接點說明如下；

 <p>5 Pin XLR</p>	<p>**DMX IN 連接頭上有一個保護蓋，操作前，請用手指撥開即可將其取下。</p> 												
<table border="1"> <thead> <tr> <th>Pin</th> <th>功能</th> </tr> </thead> <tbody> <tr> <td>1</td> <td>接地</td> </tr> <tr> <td>2</td> <td>數據-</td> </tr> <tr> <td>3</td> <td>數據+</td> </tr> <tr> <td>4</td> <td>NA</td> </tr> <tr> <td>5</td> <td>NA</td> </tr> </tbody> </table>	Pin	功能	1	接地	2	數據-	3	數據+	4	NA	5	NA	
Pin	功能												
1	接地												
2	數據-												
3	數據+												
4	NA												
5	NA												

10.2 DMX 通道功能

1 通道模式		DMX 數值範圍	功能
通道 1	煙霧輸出量	0-5	關閉
		6-255	1-100%

11. RDM 功能

IP-1600 / IP-3000 煙霧機配有 RDM 功能，讓使用者可以經由 DMX 網路使用 RDM 功能進行機台的設定、監控、管理。請參考下表相關 RDM 支援參數；

GET Allowed	SET Allowed	Category	RDM Parameter ID's(Slot 21-22)	Value	Required
		NetworkManagement	DISC UNIQUE BRANCH	0x0001	0

GET Allowed	SET Allowed	Category	RDM Parameter ID's(Slot 21-22)	Value	Required
		網路管理		0x0002	O
				0x0003	O
O		RDM Information RDM 資訊	QUEUED_MESSAGE	0x0020	
O			STATUS_MESSAGES	0x0030	
O			SUPPORTED_PARAMETERS	0x0050	O
O			PAPAMETER_DESCRIPTION	0x0051	O
O		Product Information 產品資訊	DEVICE_INFO	0x0060	O
O			PRODUCT_DETAIL_ID_LIST	0x0070	
O			DEVICE_MODE_DESCRIPTION	0x0080	
O			MANUFACTURER_LABEL	0x0081	
O	O		DEVICE_LABEL	0x0082	
O			SOFTWARE_VERSION_LABEL	0x00C0	O
O	O	DMX512 Setup DMX512 設定	DMX_PERSONALITY	0x00E0	
O			DMX_PERSONALITY_DESCRIPTION	0x00E1	
O	O		DMX_START_ADDRESS	0x00F0	O
O			SLOT_INFO	(0x0120)	
O			SLOT_DESCRIPTION	(0x0121)	
O			DEFAULT_SLOT_VALUE	(0x0122)	
O		Sensors 感應器	SENSOR_DEFINITION	0x020	
O	O		SENSOR_VALUE	0x0201	
O		Control 控制	DEVICE_HOURS	0x0400	
O	O		IDENTIFY_DEVICE	0x1000	O
O	O		POWER_STATE	0x1010	

12. WTR-20 無線控制模組(標配)

WTR-20 無線控制模組是 IP-1600/IP-3000 煙霧機的標準配件，包含一個 W-2 無線發射器及 W-2 無線接收器 (已經安裝在機器上)，可以直接使用。如果遇到任何困難與問題，請與當地的 Antari 經銷商尋求協助。

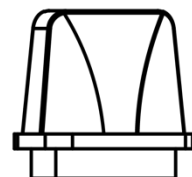
12.1 W-2 無線發射器&接收器

- 發射器：使用 27A 12V 電池
- 收發距離：有效距離為 50 公尺，實際收訊狀況根據現場環境因素而有所不同。
- 如果有效距離明顯減少時，請更換電池。
- W-2 無線發射器配有 4 個按鈕，控制功能為：

按鈕	功能
[A] 鍵	啟動噴煙
[B] 鍵	關閉噴煙
[C] 鍵	增加煙霧輸出量
[D] 鍵	減少煙霧輸出量



W-2 無線發射器



W-2 無線接收器

12.2 配對 & 取消配對

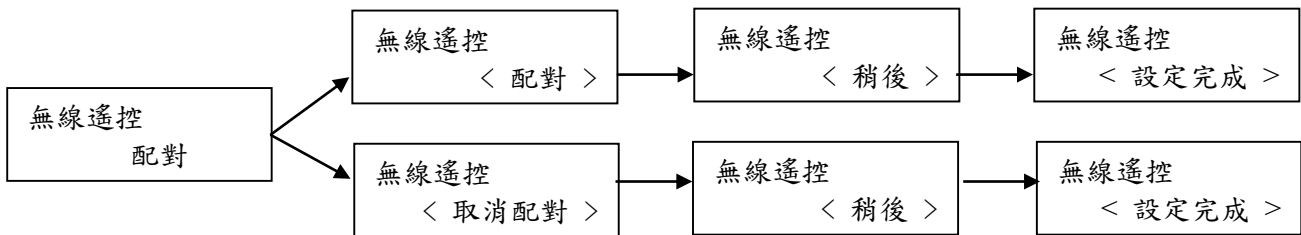
每個接收器可以配對最多 5 個控制器，請參考下面步驟配對和取消配對控制器。

步驟 1：按住左邊[TIME]鍵 3 秒進入主選單；


步驟 2：旋轉[TIMER]鍵到[無線遙控 配對]；

步驟 3A：按下[TIMER]鍵後旋轉待畫面出現<配對>，再按一次 TIMER 鍵會出現<稍後>，此時按下 W-2 無線發射器 A 鍵，待畫面顯示<設定完成>後，即完成本次配對。

步驟 3B：按下[TIMER]鍵後旋轉待畫面出現<取消配對>，再按一次 TIMER 鍵會出現<稍後>，此時待畫面顯示<設定完成>，即完成本次取消配對。



13. 維護和保養

	危險	維修保養之前，請務必拔除電源線！
---	-----------	------------------

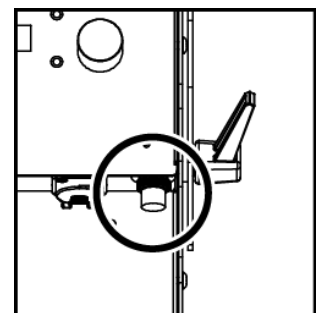
- 隨時保持機器清潔及乾燥。
- 可以使用空氣壓縮機、吸塵器或軟刷除去機器上的灰塵。
- 機殼可使用濕布擦拭。
- 在存放或收起機器前，請確認機器完全冷卻，避免機器內部潮濕導致故障。
- 建議每月至少讓機器運轉一次，以保持機器處於最佳的性能和輸出條件。
- 機器上過多的灰塵、液體殘餘累積的髒污會降低機器工作性能，導致散熱不良。

13.1 無熔絲斷路器

請依照以下步驟重置斷路器；

- 如圖一當按鈕彈出時，請將按鈕壓回完成重置。

**若重置斷路器後，依然跳掉的話，請與當地 Antari 經銷商聯繫，尋求協助。



14. 技術規格

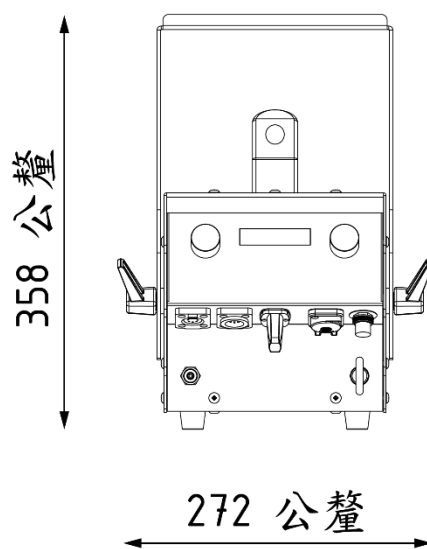
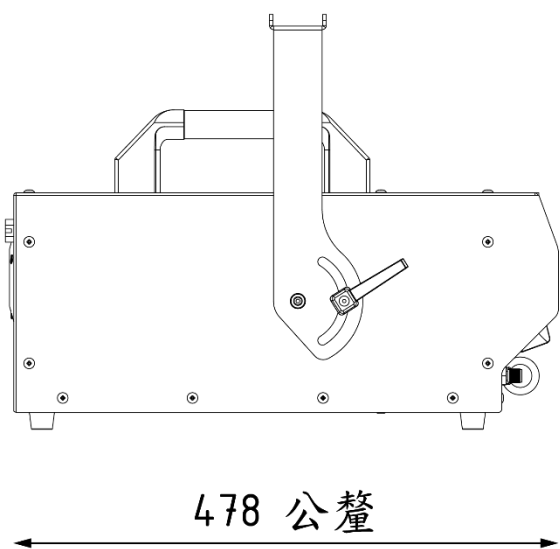
	IP-1600	IP-3000
電壓	美規 : AC 100-120V, 50/60Hz 12.5A 歐規 : AC 220-240V, 50/60Hz 6.5A	歐規 : AC 220-240V, 50/60Hz 11A
額定功率	1500 瓦	2500 瓦
加熱時間	9 分鐘	約 10 分鐘
耗油量	150 毫升/分鐘 (100%輸出)	250 毫升/分鐘 (100%輸出)
油桶容量	N/A	
適用煙霧水	Antari FLG 濃煙霧水 Antari FLH 長時間停留煙霧水 Antari FLJ 短時間停留煙霧水 Antari FLR 淡煙霧水 Antari FLY 特濃煙霧水 Antari FLZ 長停留時間煙霧水	
適用環境溫度	0°C – 40°C (32°F – 104°F)	
控制方式	手動控制、定時控制、DMX 512、無線控制	
DMX 512 通道	1 個頻道	
連接座	XLR 5-Pin 連接頭(DMX)、Neutrik powerCON 連接頭(主電源)	
隨附配件	吊架、W-2 無線發射器	
選購配件	N/A	
尺寸	長 478 寬 272 高 358 公釐 (長 18.82 寬 10.71 高 14.10 英寸)	長 511 寬 309 高 394 公釐 (長 20.12 寬 12.17 高 15.52 英寸)
重量	12.6 公斤 (27.78 磅)	18.6 公斤 (41.01 磅)

15. 保固聲明

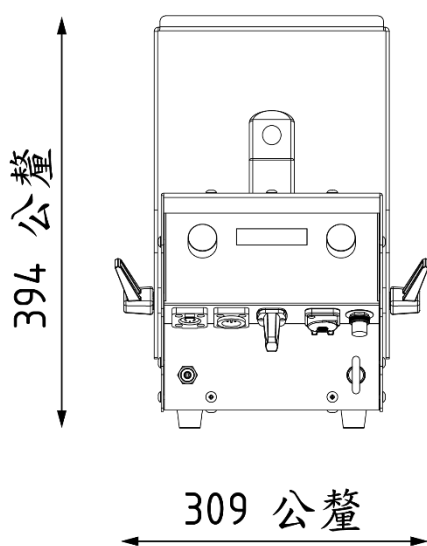
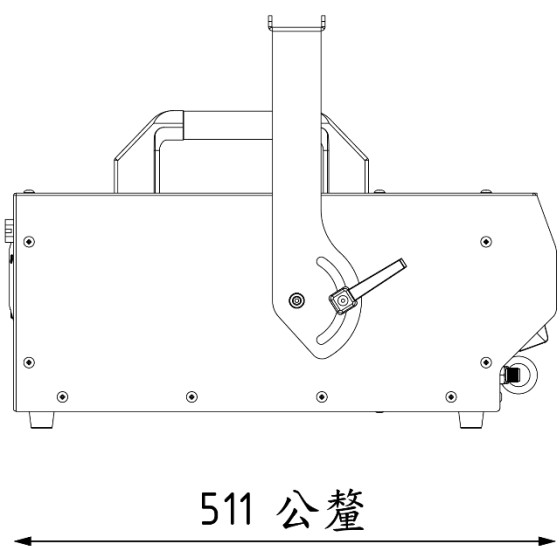
本公司保證我們的商品在一年內沒有材料和製作缺陷。我們在本保證下的義務和責任僅限於在原廠或當地授權經銷商進行的維修或更換。我們對不當使用或用於非專門設計目的以外之用途不承擔任何責任。本保固不適用於以任何方式在原廠或當地授權經銷商外修理、改動或組裝的任何商品，以便我們判斷影響其性能，沒有受到誤用、疏忽或事故的影響，也沒有違反我們的任何商品操作印刷說明。本公司對於從我們這邊購買的商品不會允許也不對於使用、銷售或修理任何產品有關的任何類型的任何損失或損害承擔責任。

16. 機器尺寸圖

IP-1600



IP-3000

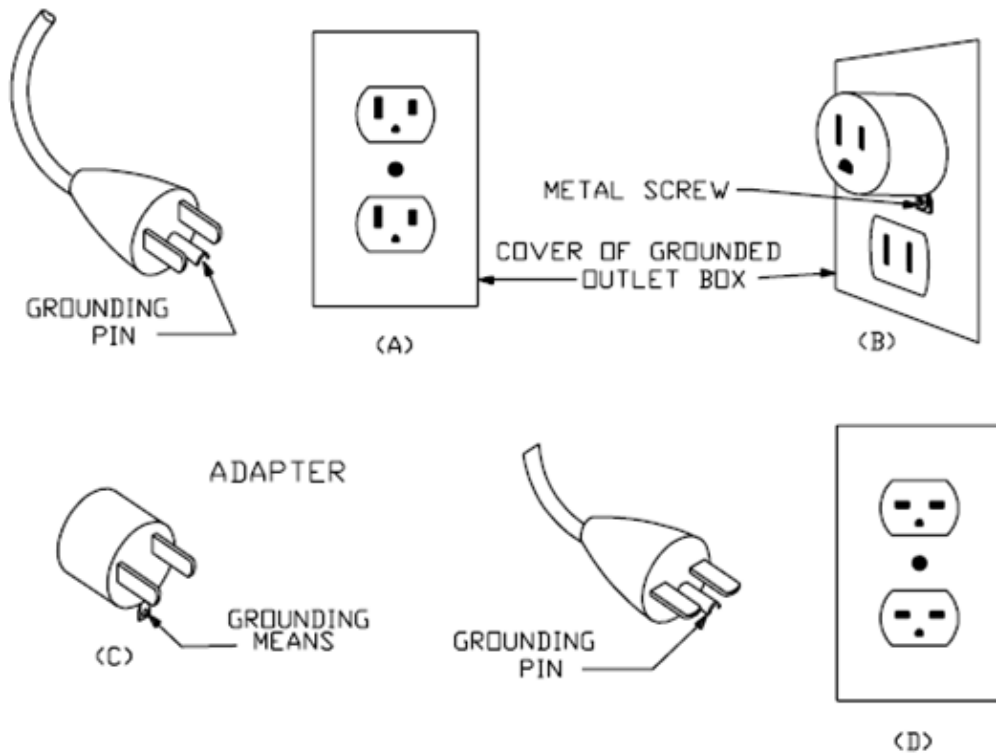


Appendix I – Grounding Instruction

This appliance must be grounded. In the event of malfunction or breakdown, grounding provides a path of least resistance for electric current to reduce the risk of electric shock. This appliance is equipped with a cord having an equipment-grounding conductor and a grounding plug. The plug must be plugged into an appropriate outlet that is properly installed and grounded in accordance with all local codes and ordinances.

DANGER – Improper connection of the equipment-grounding conductor can result in a risk of electric shock. The conductor with insulation having an outer surface that is green with or without yellow stripes is the equipment-grounding conductor. If repair or replacement of the cord or plug is necessary, do not connect the equipment-grounding conductor to a live terminal. Check with a qualified electrician or serviceman if the grounding instructions are not completely understood, or if in doubt as to whether the appliance is properly grounded. Do not modify the plug provided with the appliance – if it will not fit the outlet, have a proper outlet installed by a qualified electrician.

This appliance is for use on a nominal 120V circuit, and has a grounding plug that looks like the plug illustrated in sketch A in Figure. A temporary adaptor, which looks like the adaptor illustrated in sketches B and C, may be used to connect this plug to a 2-pole receptacle as shown in sketch B if a properly grounded outlet is not available. The temporary adaptor should be used only until a properly grounded outlet can be installed by a qualified electrician. The green colored rigid ear, lug, and the like, extending from the adaptor must be connected to a permanent ground such as a properly grounded outlet box cover. Whenever the adaptor is used, it must be held in place by the metal screw.





C08IP1602