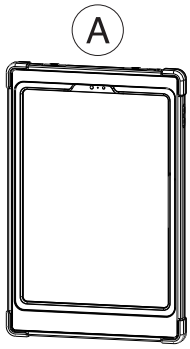




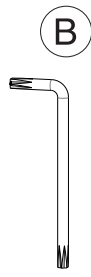
Magnetic Splash-Proof Case w/ Holder for Moby 5500 Card Reader for iPad 10th Generation 10.9"

PAD-MSP109MOBY

CONTENTS:



X1



X1

M4 Star key

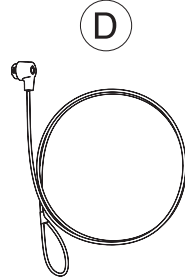


X4

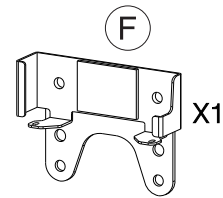
M4 x 8



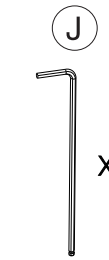
X1



X1



X1



X1

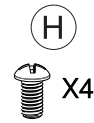
M5 Allen Key



X2



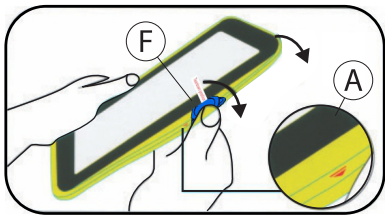
M5x10



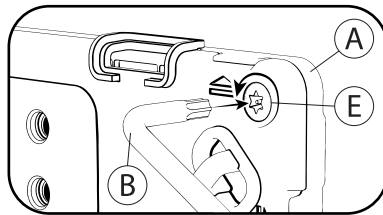
M2x5

INSTALLATION:

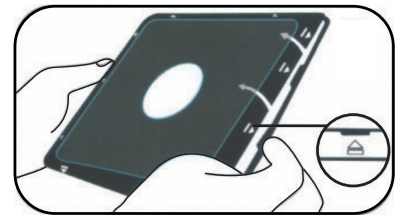
1. INSERTING TABLET INTO ENCLOSURE



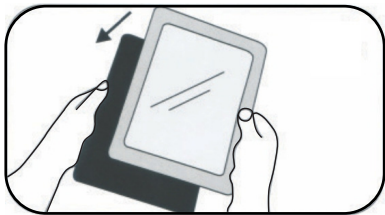
1A. Peel the external silicone sleeve from the internal hard case using component (F).



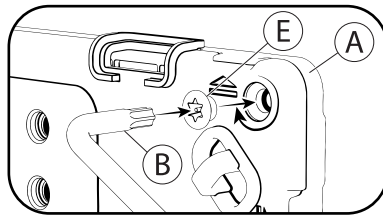
1B. Untighten the anti-theft screws (E X4) with the included star key (B) to be able to open up the case



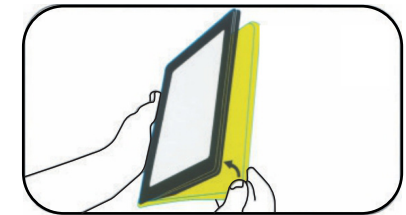
1C. To open case, apply gentle pressure to the small clips (noted on the diagram by arrows). The internal hard case will open when all four sides are



1D. Insert the iPad into the back portion of the hard cover.

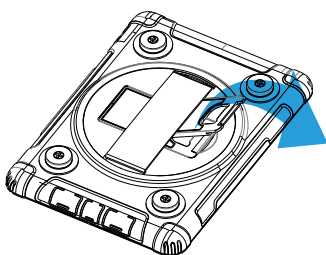


1E. Tighten the anti-theft screw with the included star key (B) if you want the case security.

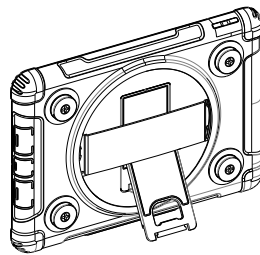


1F. Reinstall the external silicone rubber sleeve.

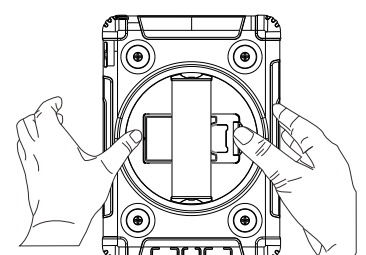
2. HOW TO FLIP OUT KICKSTAND



2A. Locate kickstand at case rear and fold out underneath strap.

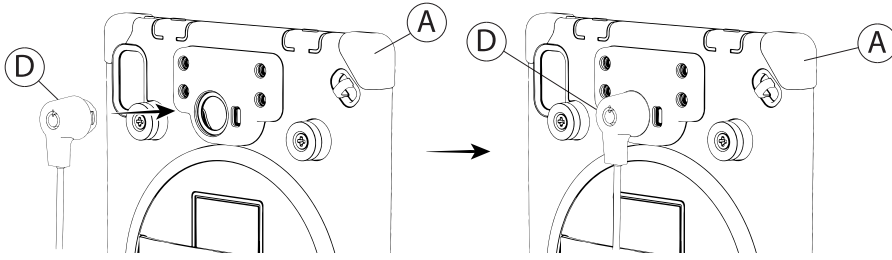


2B. Display tablet at desired viewing angle.

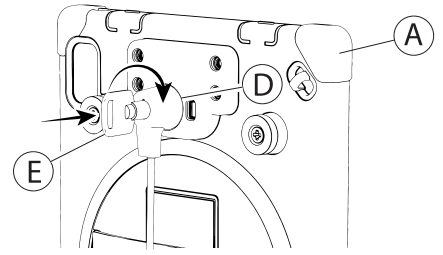


2C. Press kickstand back in to return to handheld mode.

3. KEY & LOCK SECURITY OPTION

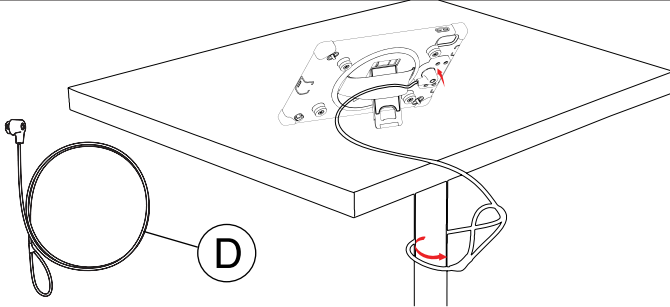


3A. Easily Click-in Cable lock (D) into security hub to secure device.



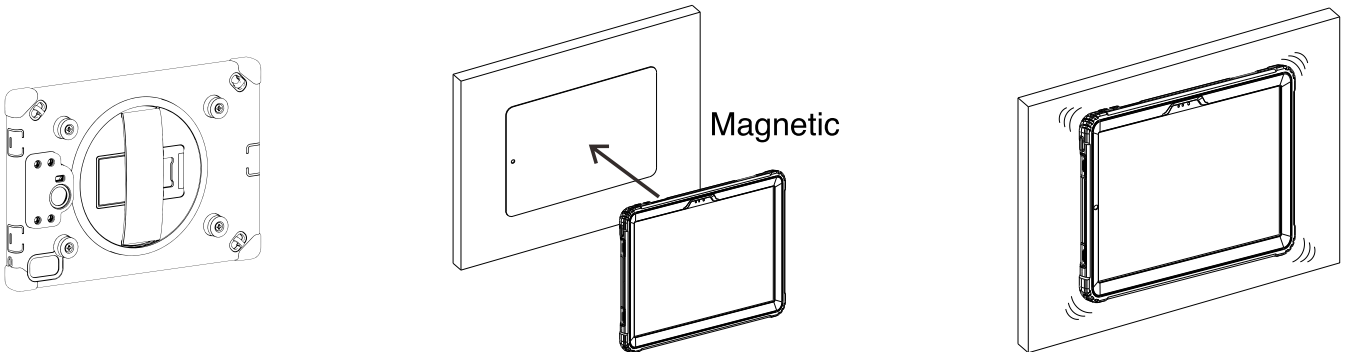
3B. To release cable-lock insert provided Key (E) into lock cable (D) and turn it clockwise then take out the cable lock.

4. HOW TO ANCHOR INTO A TABLE



4A. Take the looped end of lock cable (D) and turn it around leg table then click-in head of lock cable into the security hub.

5. HOW TO ATTACH CASE TO METAL SURFACE



5A. Align the case with the metal plate and connect them together until the magnetic field securely holds them in place.

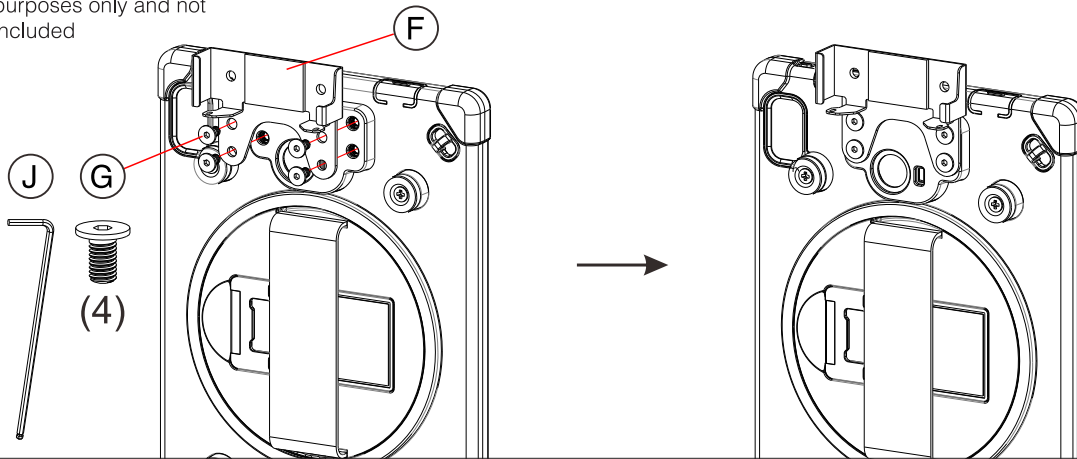
6. ATTACHING CARRY STRAP (OPTIONAL)



6A. If you have the corresponding shoulder strap (sold separately), insert the ends into the strap holes. Then tie them up and clasp the front as shown to the left.

7. ATTACHING ADD-ON BRACKET

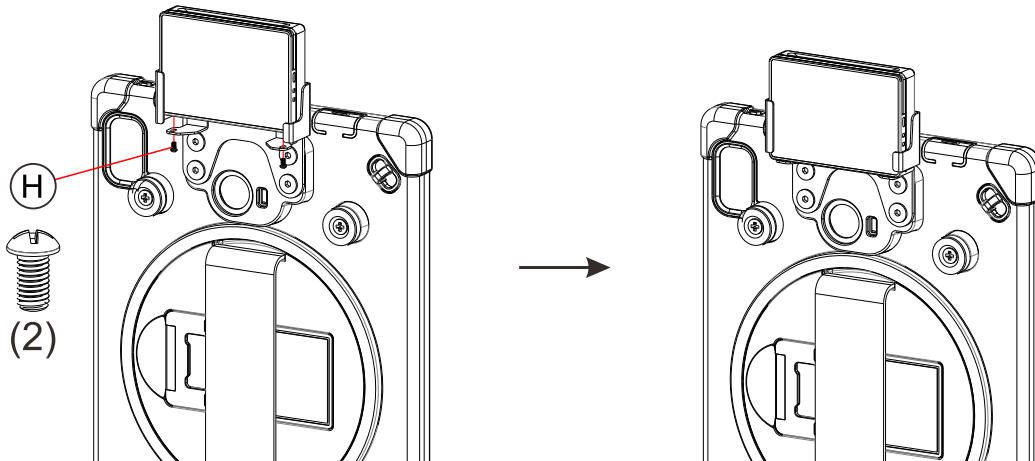
**Case for illustration purposes only and not included



7A. Align bracket (F) with the case (A). Using the provided tool (J) rotate in (4) screws (G) through the aligned holes of the bracket and case until securely fastened.

8. ATTACHING DEVICE

**Case and device for illustration purposes only and not included



8A. Place the card reader device (not included) into the bracket from above as illustrated. Use provided (2) screws (H) and rotate in from below with screwdriver (not provide) until securely fastened.