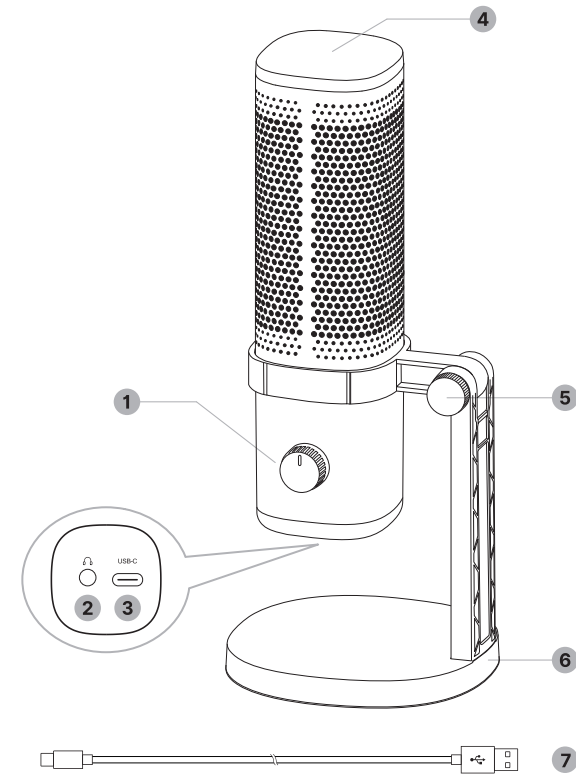


# S12

## User Manual

Cardioid Condenser Microphone

### Overview

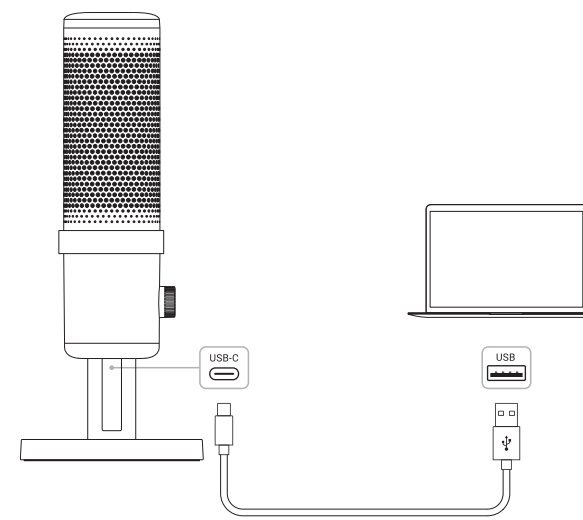


- 1. Gain control knob
- 2. 3.5mm headphone jack
- 3. USB-C port
- 4. Mute button
- 5. Tightening knob
- 6. Microphone stand
- 7. USB-C cable

### Getting Started

#### 1. Connect Your Microphone to a PC or Mac

Connect the microphone to a USB port on your computer with the included USB-C cable. The microphone will light up to indicate that the mic is in an active state.



#### 2. Make Sure the S12 Is Your Default Device

Usually, your computer will automatically detect the microphone S12 and use it as the default. If you have multiple audio devices connected to your computer, you may need to manually set default microphone on your PC system or third-party software such as Skype, Zoom, Discord, and so on.

##### Windows

Right-click the **Sound icon** on the taskbar > Select **Sound settings** > **Input**, select the **S12** as the system default input device.

##### macOS

Go to **System Preferences** > **Sound** > **Input**, select the **S12** as default input device.

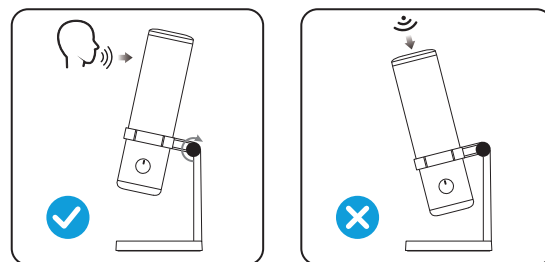
##### Software (Zoom, Skype, Discord and more)

Settings > Audio > Microphone, select the **S12** as default microphone. These steps might be different, for more information on configuring input device, refer to the app user guide.

### Using Your Microphone

#### Adjusting the Microphone Stand

Loosen the tightening knob and adjust the microphone to the desired angle, tighten the knob again to secure the mic in place.



#### Adjusting the Microphone Gain

Rotate the gain control knob to adjust the gain (sensitivity) of the microphone when capturing sound.



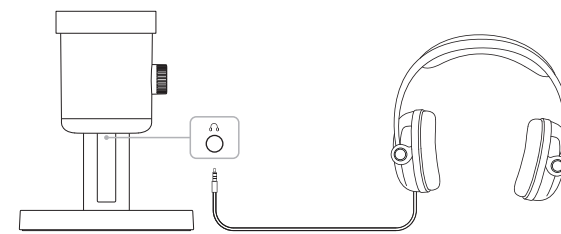
#### Muting the Microphone

Press the microphone mute button on top of the unit to mute/unmute the microphone.

LED Color	Microphone Status
RGB / Blue	Active
Red	Mute

#### Connecting Headphones

Connect the headphones directly to the microphone, you can easily monitor your voice or audio playback in real-time.

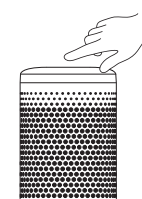


#### Turning RGB Lights ON/OFF

The RGB lights will turn on automatically when microphone is activated.

If you want to turn RGB lights off, press and hold the mute button for about 3 seconds until the RGB turns off. And the LED lights turn solid blue.

Turn the RGB lights back on, press and hold the mute button for about 3 seconds again.



### Troubleshooting

- Make sure both ends of the USB-C cable are firmly connected, try unplugging the USB and plug it back in again.
- Connect the cable directly to the computer's USB port and not a USB extension or hub.
- Check that the LED light is illuminated, make sure your microphone is turned on and not muted.
- Check the microphone volume and mute settings in system.
- Make sure that the microphone is not disabled and is set as default.
- Set default microphone in applications, like Zoom, Skype...
- Make sure apps have access to the microphone.

##### Windows 11

- Right-click on the **Start** > **Settings** > **Privacy & security** > **Microphone**, make sure **Microphone access** is turned on.
- Make sure **Let apps access your microphone** is turned on, then grant permissions for apps to access your microphone.
- Make sure **Let desktop apps access your microphone** option is enabled.

##### Windows 10

- Go to **Start** > **Settings** > **Privacy** > **Microphone**.
- Select **Change** and make sure **Microphone access for this device** is on.
- Make sure **Allow apps to access your microphone** is turned on. In the app list, grant permissions for apps to access your microphone.
- In **Allow desktop apps to access your microphone**, make sure the selection is also turned on.

##### macOS

- On your Mac, choose **Apple menu** > **System Preferences**, click **Security & Privacy**, then click **Privacy**.
- Select **Microphone**. Then select the checkbox next to your audio apps and allow it to access your microphone.

### Specifications

<b>Model</b>	S12
<b>Polar Pattern</b>	Cardioid
<b>Transducer Type</b>	16mm condenser capsule
<b>Frequency Response</b>	50Hz-20kHz
<b>Sample Rate</b>	96kHz
<b>Bit Depth</b>	24-bit
<b>Sensitivity</b>	-36dB +/-3dB
<b>Signal to Noise Ratio</b>	96dB A weighted
<b>Microphone Gain</b>	-27dB to +36dB (Adjustable)
<b>Maximum SPL</b>	125dB
<b>Connector</b>	USB-C
<b>OS Compatibility</b>	Windows 11/10/ 8/ 7/ Vista/ XP MacOS 7 or higher Chrome OS
<b>Dimensions</b>	9.5*9.5*22.5cm
<b>Operating Temperature</b>	0°C to 55°C (32° F to 131°F)
<b>Storage Temperature</b>	-25°C to 70°C (-13° F to 158°F)
<b>Relative Humidity</b>	0 to 85%

CE RoHS RECYCLED  
MADE IN CHINA