

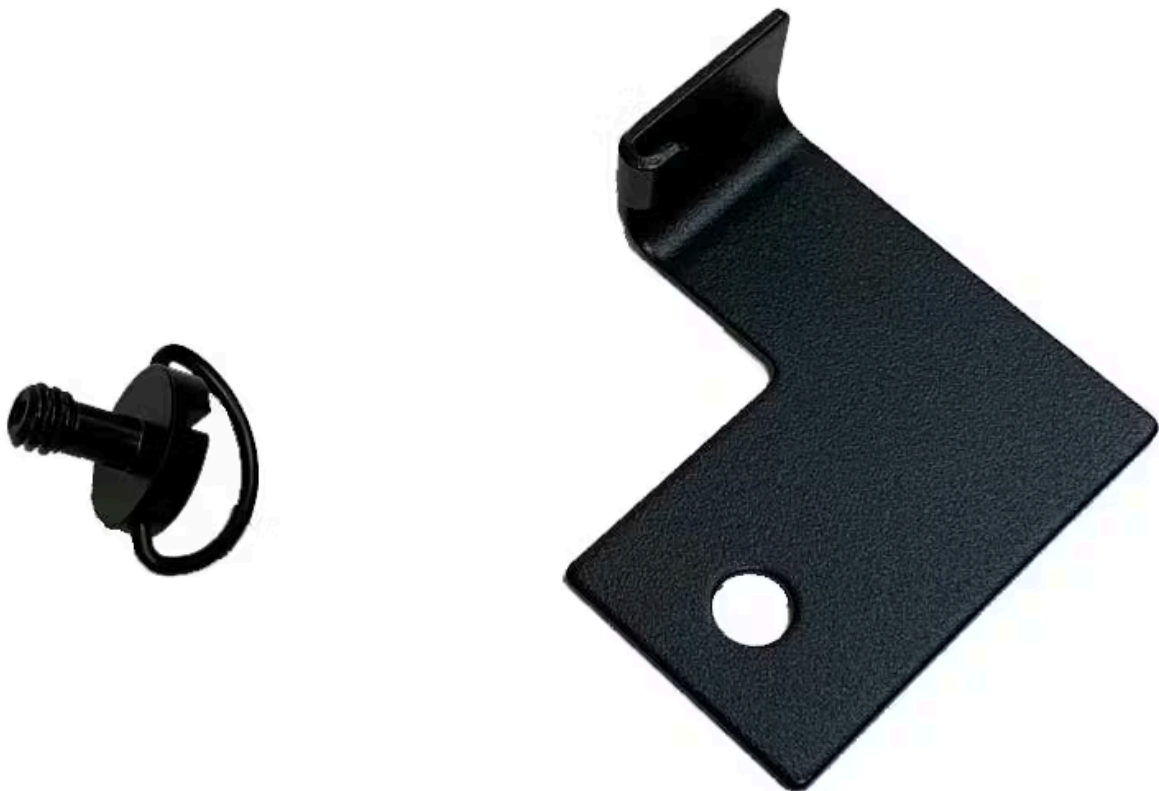
## 4. MeetUp 2 Planning the installation / Mounting options

### Planning the Installation

MeetUp 2 is recommended for rooms up to approximately 4.5 x 3m / 15 x 10'.

The MeetUp 2 multi-mount allows for installation above a display, to a wall, on a shelf or on a tripod. MeetUp 2 is compatible with the original MeetUp TV and Wall Mounts. Having the camera near eye level results in the best experience, but there will typically be some tradeoff between where the display and MeetUp 2 are mounted. Typically, mounting below the display achieves the best results, especially in smaller rooms.

Early versions of MeetUp 2 include the bracket and thumbscrew, shown below, which are used to reinforce the mount when mounting to a wall or using the original MeetUp wall or TV mounts.

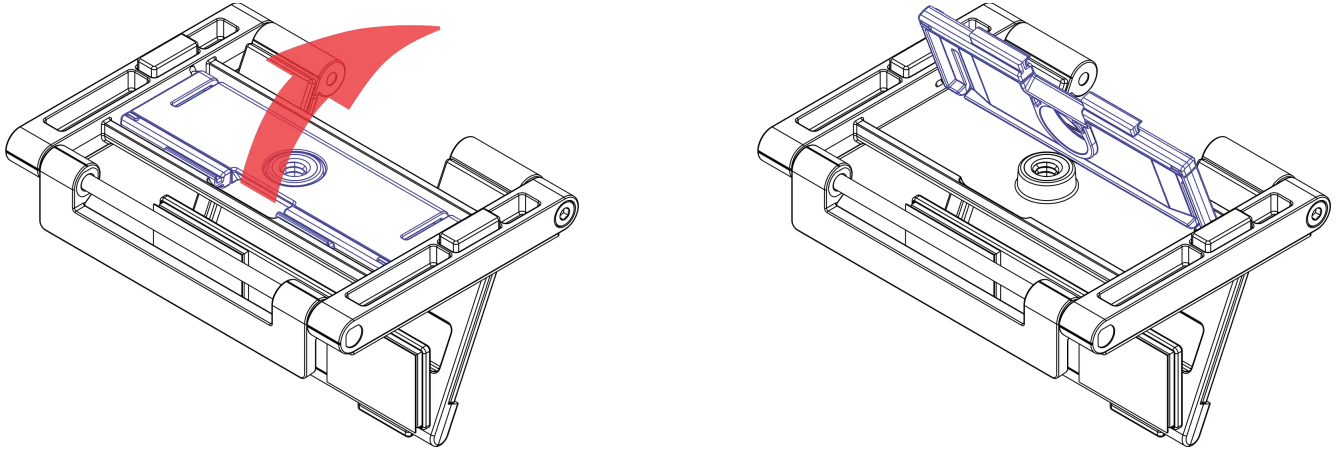


Instructions for installing the bracket can be seen in the videos below titled "Mounting directly to a wall" and "Mounting with TV Mount for MeetUp and MeetUp wall mounts".

## Mounting options

MeetUp 2 features a Multi Mount that affords many different mounting options. Further, MeetUp 2 is compatible with the original MeetUp wall and TV mounts.

With several mounting options, this part folds up and MeetUp 2 will tilt down.



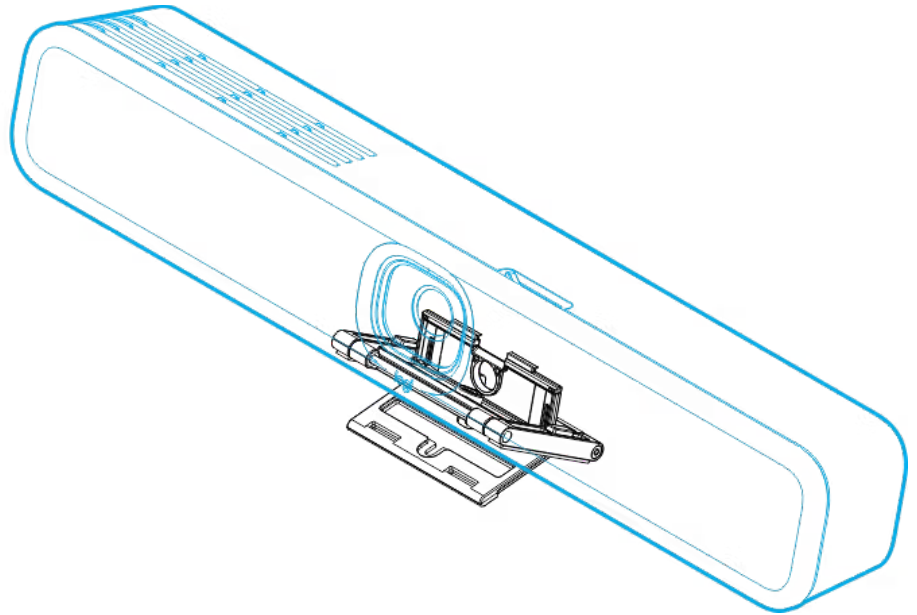
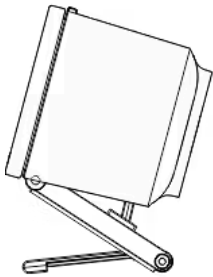
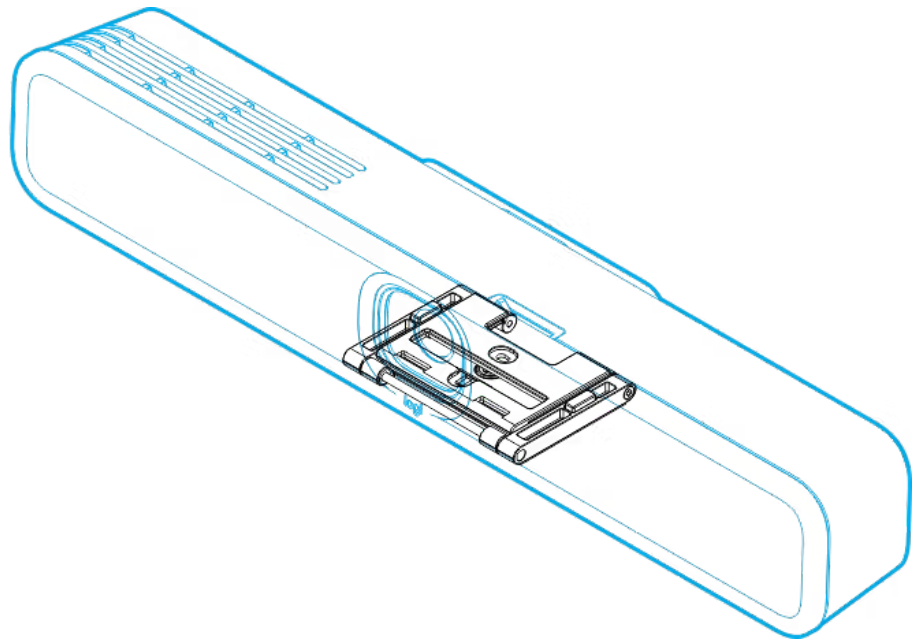
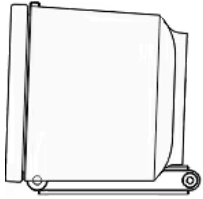
<https://files-us-east-1.t-cdn.net/files/FZaalTmVkQgDwKfemB1J2>



## Shelf mounting

When mounting on a shelf or other piece of furniture the Multi Mount can be folded under straight ahead or a 13° up angle.

Menu



## Wall mounting

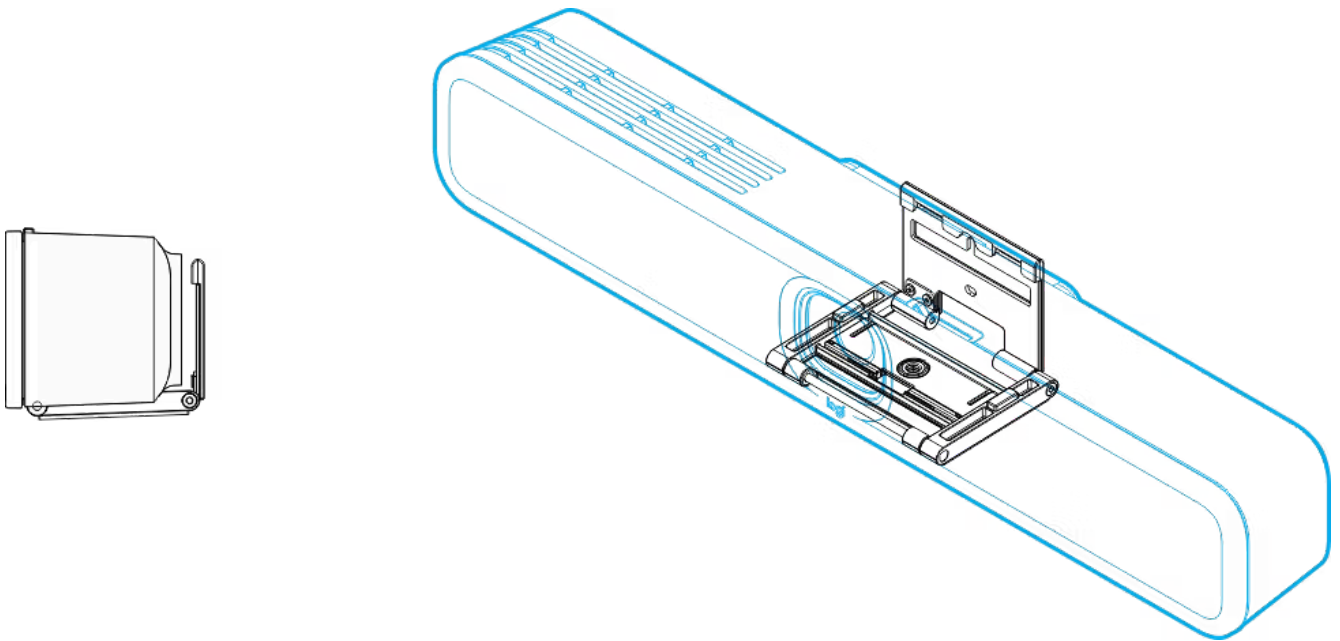
MeetUp 2 can be mounted directly to a wall using the included screws and wall anchors or other suitable attaching hardware. It's recommended to start with the upper screw location, then use the lower screw location to level MeetUp 2

<https://files-us-east-1.t-cdn.net/files/9yroD2Cq0YNiEFwDm2Ab4>

Menu

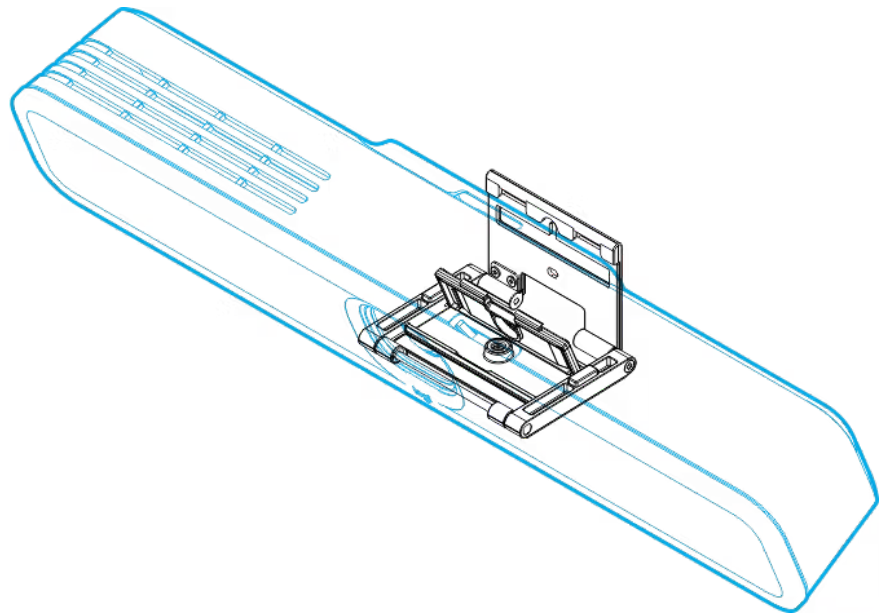
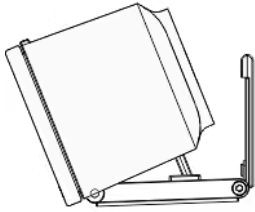


Straight ahead configuration (typically used when mounting below a display):



20° down angle configuration (typically used when mounting above a display).

Menu



## Top of display mounting

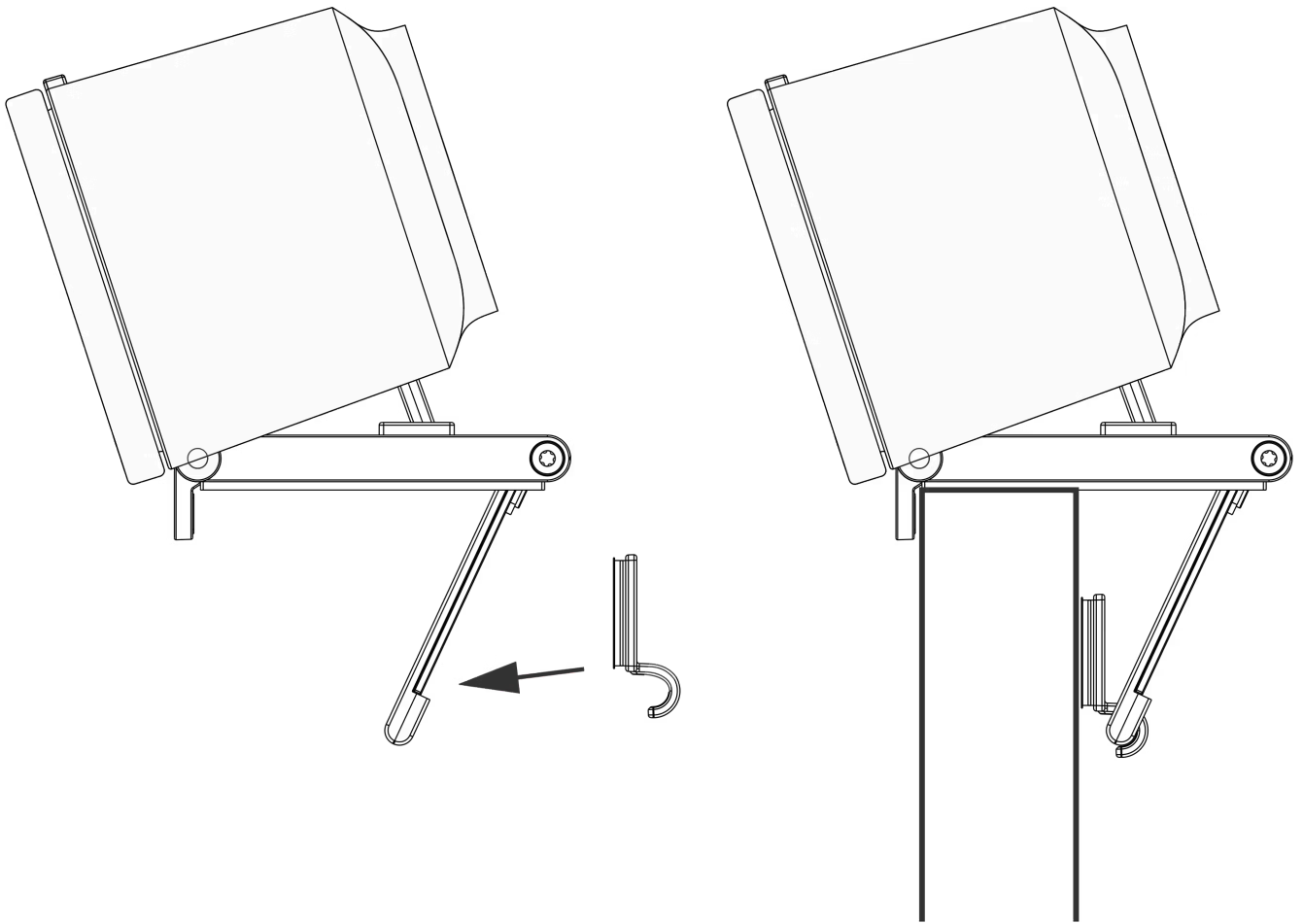
<https://files-us-east-1.t-cdn.net/files/fLlocf9s7upTAvS9iHBUt>



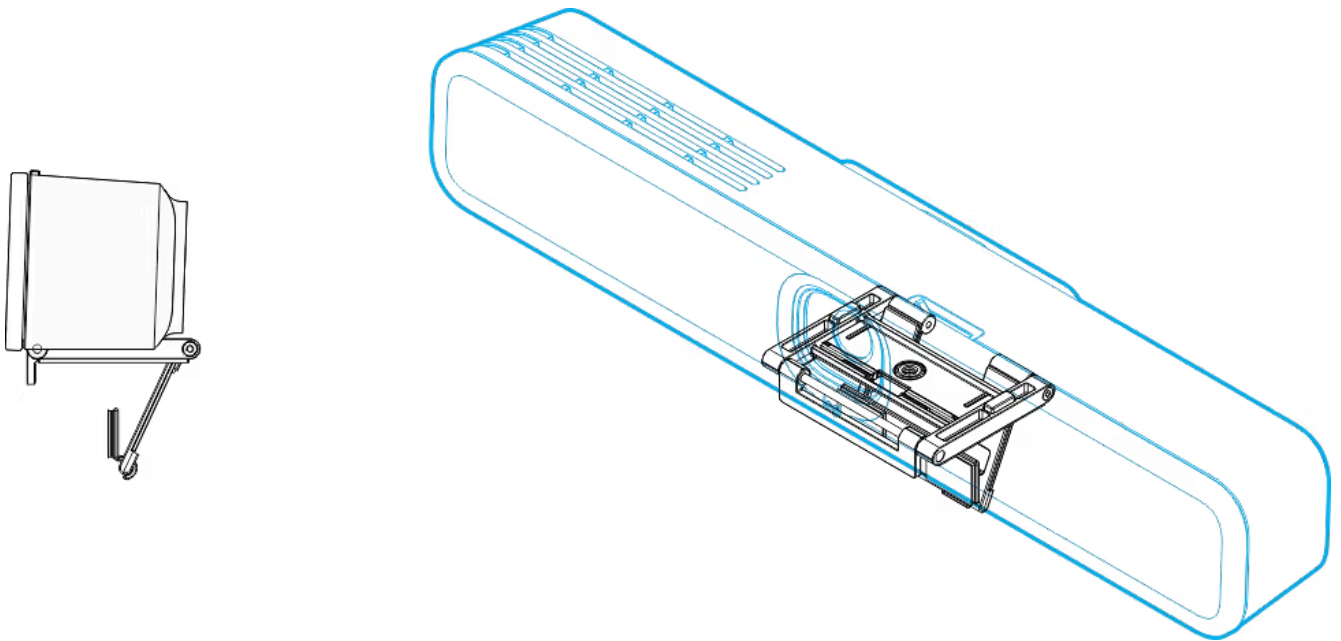
When mounting MeetUp 2 directly to the top of a display use the included Clip as shown below. The Clip has hook and loop fasteners that should be adhered to the back of the display.

Clip mounting position:

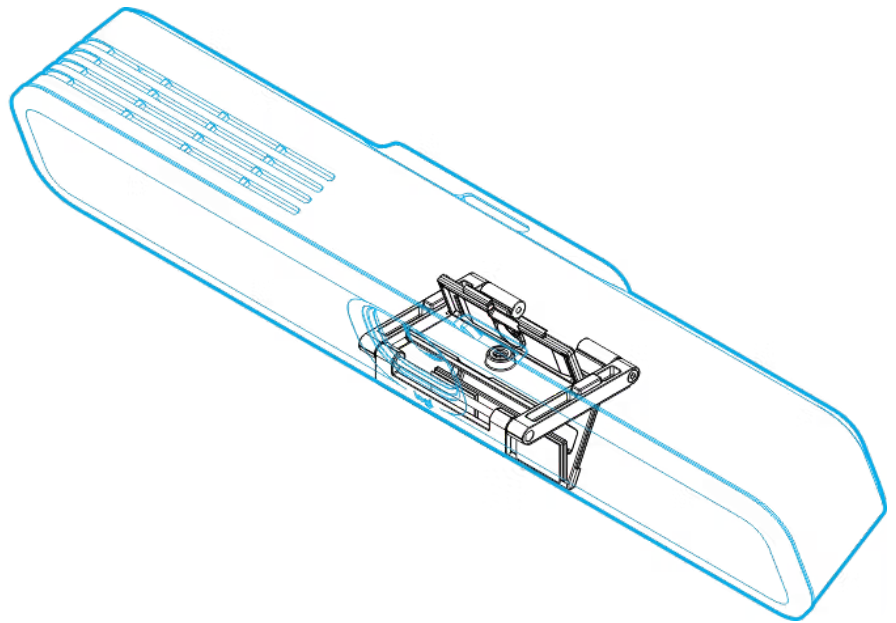
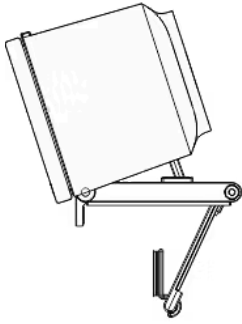
Menu



Straight ahead configuration:



20° down angle configuration:



## Using TV Mount for MeetUp or original MeetUp wall mount

Using TV Mount for MeetUp. MeetUp 2 can either be set in the straight ahead or 20° down angle configuration:

<https://files-us-east-1.t-cdn.net/files/JiBz3OccgdAbx0nHr6HSz>



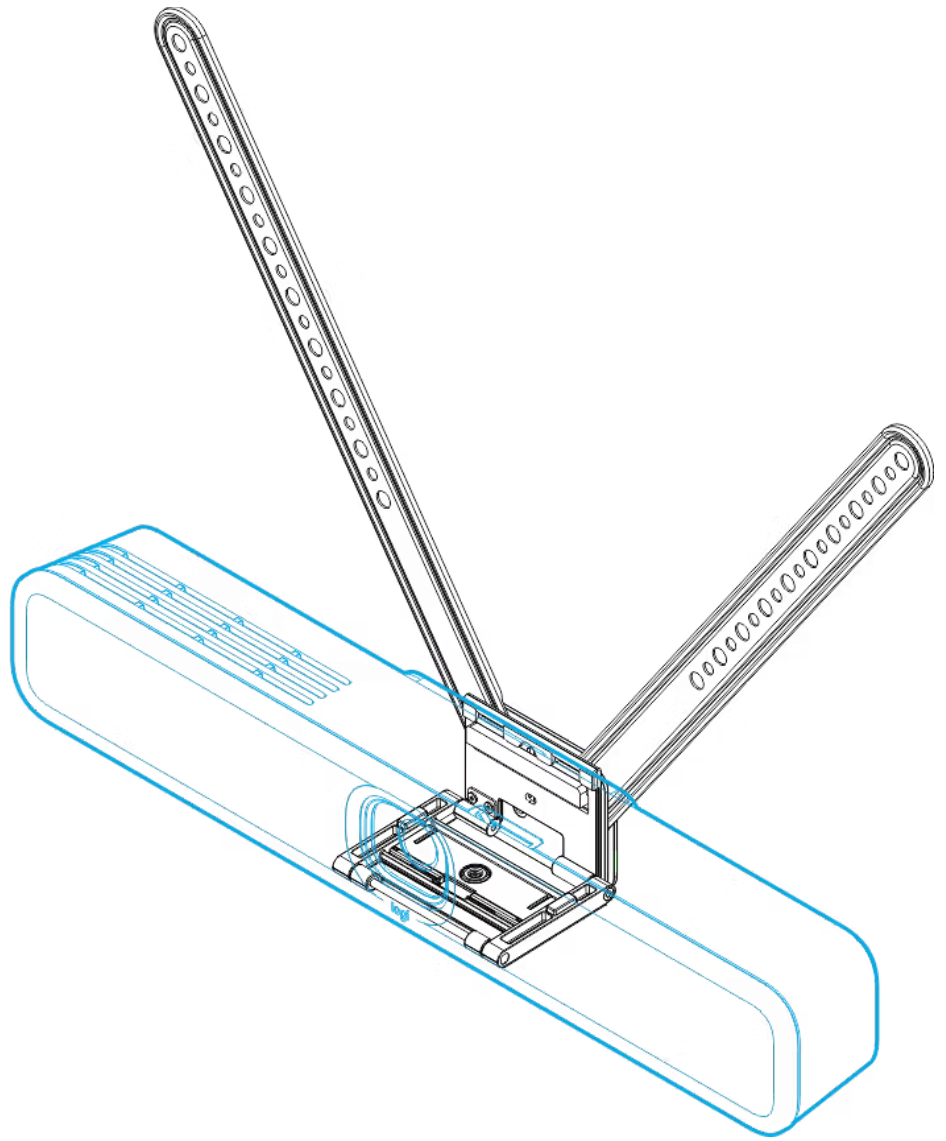
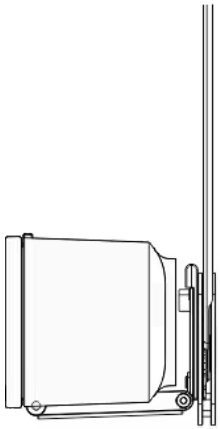
<https://files-us-east-1.t-cdn.net/files/VphtlYQhWDjsN4R1Y7n0T>

Menu

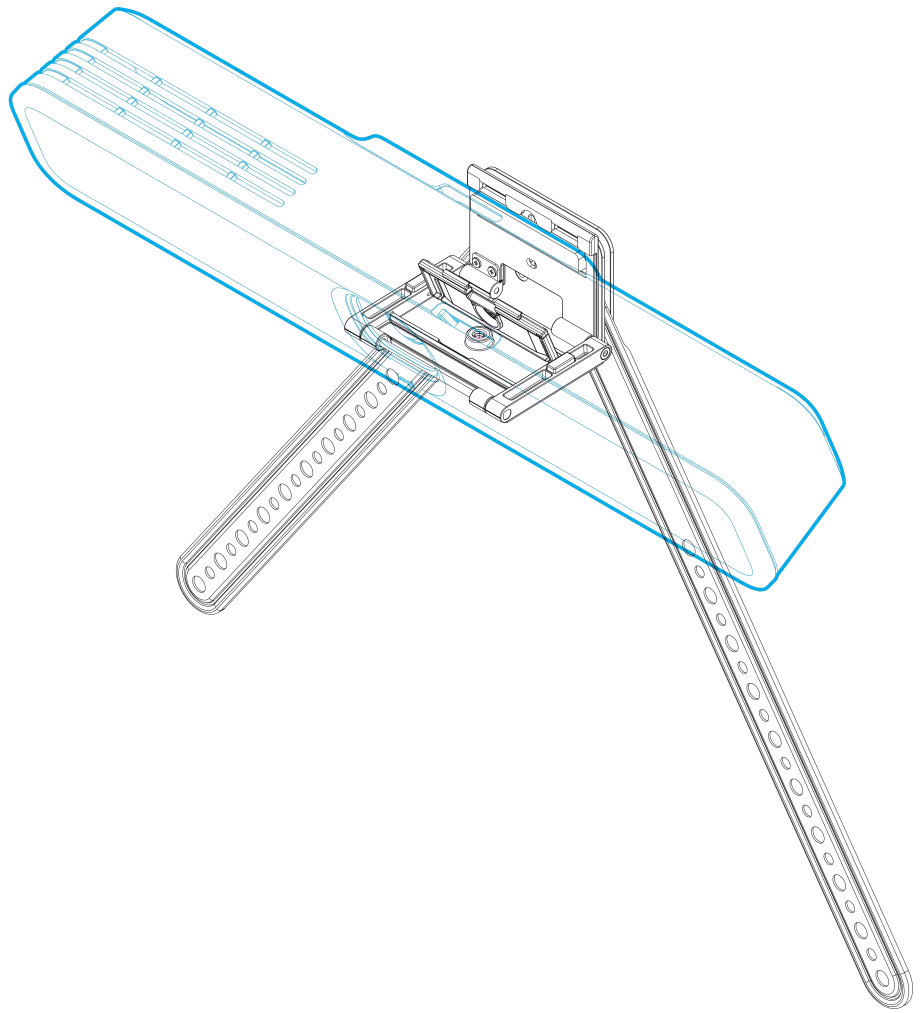
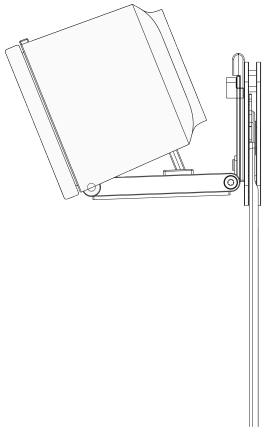


To mount MeetUp 2 below a display, use either the wall mount as shown above or TV Mount for MeetUp as shown below.

Menu

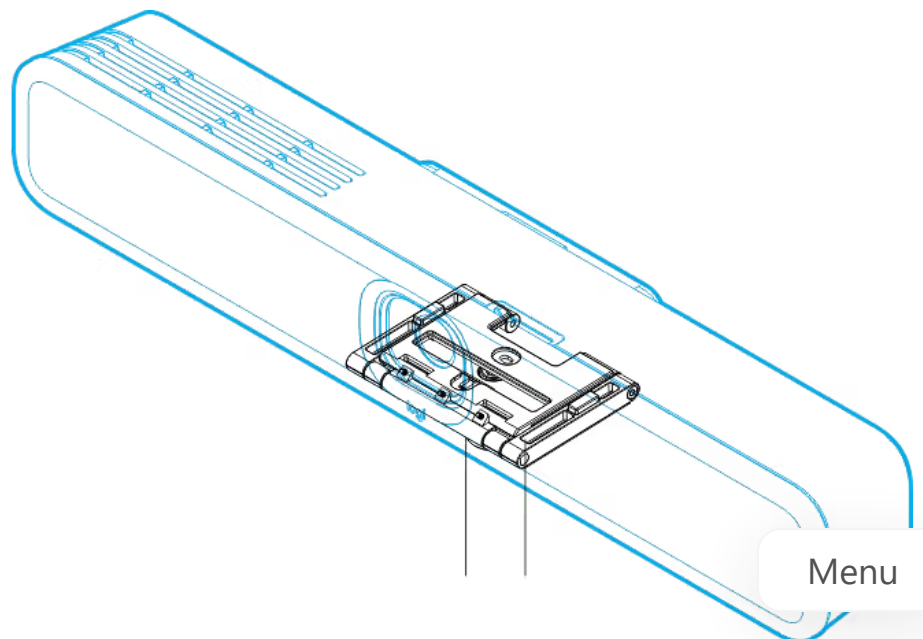
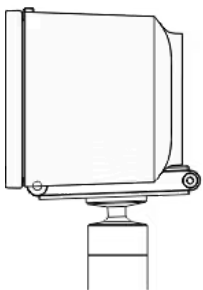


Mounting above a display with TV Mount for MeetUp



## Tripod mounting

The multi mount includes a  $\frac{1}{4}$ " - 20 threads per inch insert. This is compatible with most tripods and other similar camera mounts.



Menu

Menu