



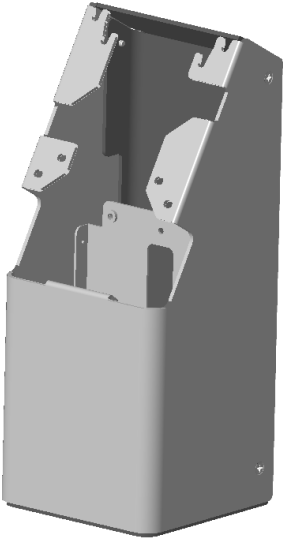
E514693 ELO-SELF-SERV-STAND-SLIM-COUNTERTOP

E514881 ELO-SELF-SERV-STAND-SLIM-FLOOR-TOP

E515260 ELO-SELF-SERV-STAND-SLIM-FLOOR-BASE

E686344 ELO-SELF-SERV-STAND-SLIM-COUNTERTOP-BK

E686540 ELO-SELF-SERV-STAND-SLIM-FLOOR-TOP-BK



Head Assembly
Qty. 1



Tie-wrap
Qty. 2

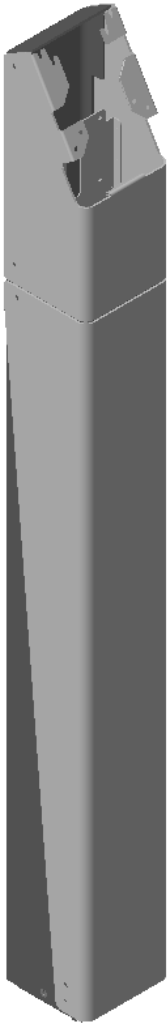


Countertop Base
Qty. 1

Screws / Mounting hardware		
Bag I	Qty.8	SCREW, M4X8L, PAN-HEAD, CROSS-RECESS
Bag L	Qty.4	SCREW, M4X6L, PAN-HEAD, CROSS-RECESS
Bag M	Qty.4	SCREW, M4X18L, PAN-HEAD, CROSS-RECESS
Bag N	Qty.4	SCREW, M4X12L, PAN-HEAD, CROSS-RECESS

Panel Hardware	
Qty.2	SCREW, M6X14, PAN-HEAD, CROSS-RECESS
Qty.2	BACKER BOARD SPACER
Qty.2	THUMB SCREW

Grounding solution hardware		
Bag Grounding	Qty.1	E488214_CAB-GND-EU-1.0m-GYWallabyPro
	Qty.1	SCREW, M4X6, PAN-HEAD WITH WASHER, GROUNDING



Tower Assembly
Qty. 1



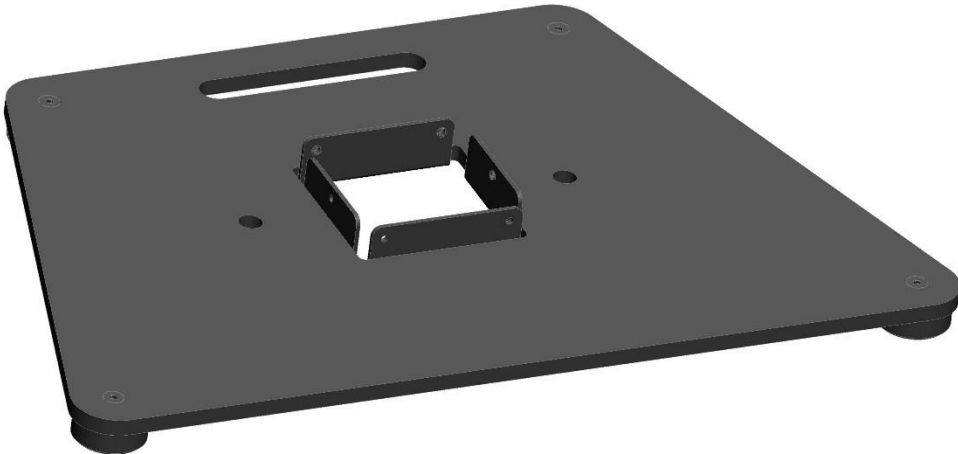
Strap
Qty. 1



Tie-wrap
Qty. 2

Screws / Mounting hardware		
Bag I	Qty.8	SCREW, M4X8L, PAN-HEAD, CROSS-RECESS
Bag L	Qty.4	SCREW, M4X6L, PAN-HEAD, CROSS-RECESS
Bag M	Qty.4	SCREW, M4X18L, PAN-HEAD, CROSS-RECESS
Bag N	Qty.4	SCREW, M4X12L, PAN-HEAD, CROSS-RECESS
Bag K	Qty.6	SCREW M5X12 FLAT HEAD, CROSS-RECESS, BLACK

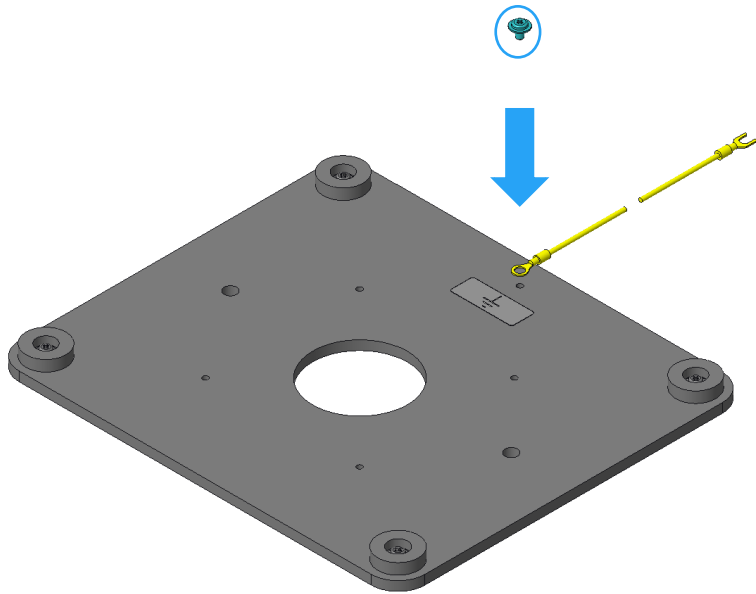
Panel Hardware	
Qty.2	SCREW, M6X14, PAN-HEAD, CROSS-RECESS
Qty.2	BACKER BOARD SPACER
Qty.2	THUMB SCREW



Base plate
Qty. 1

Grounding solution hardware		
Bag Grounding	Qty.1	E488214_CAB-GND-EU-1.0m-GYWallabyPro
	Qty.1	SCREW, M4X6, PAN-HEAD WITH WASHER, GROUNDING

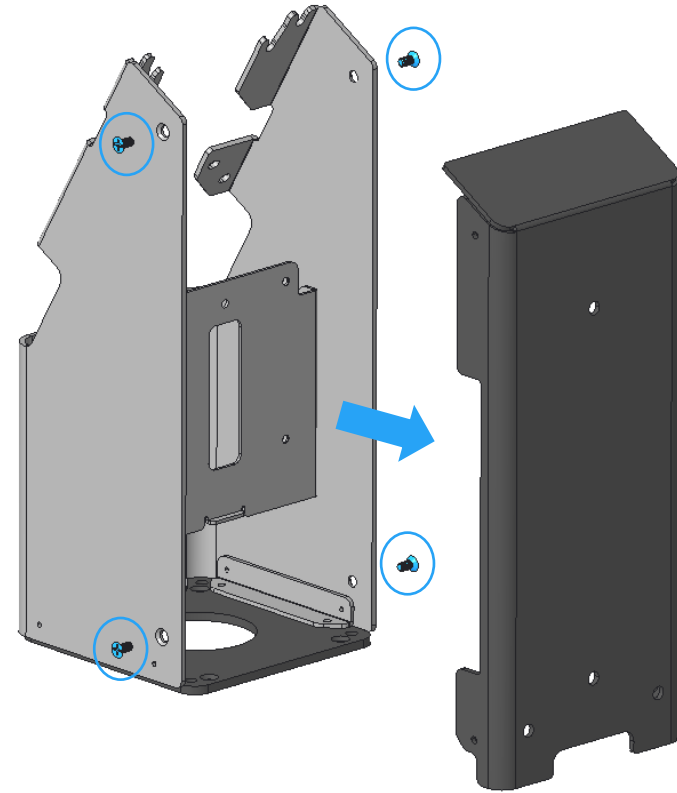
1



Attach GND cable to countertop plate using (1) screw and GND cable from bag "Grounding".

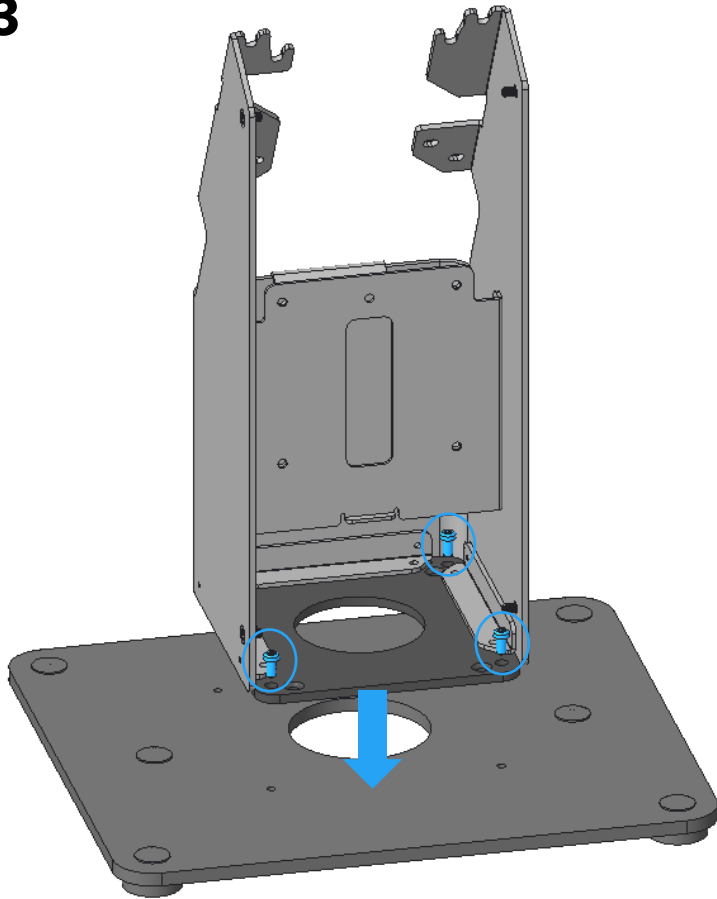
For Floor Stand, skip to step **4**
 For Countertop Stand, continue to step **2**

2



Remove and save (4) screws from stand. Remove rear cover.

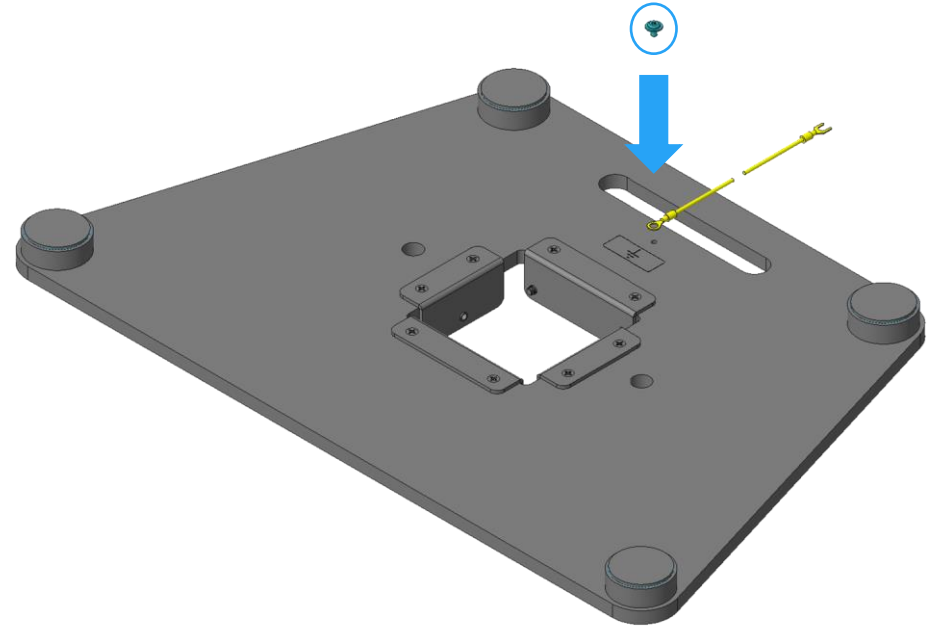
3



Attach head to countertop plate using (4) screws from bag "I".

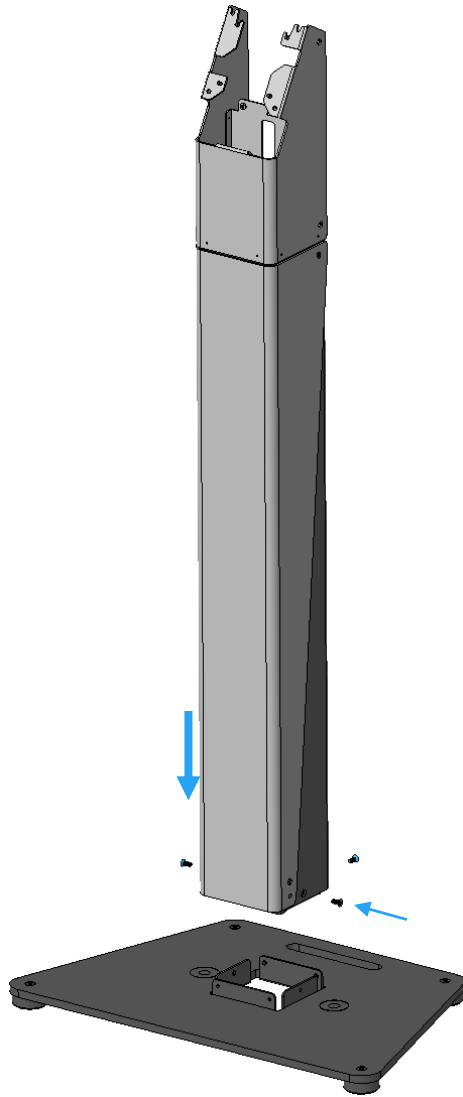
Skip to step **7**

4



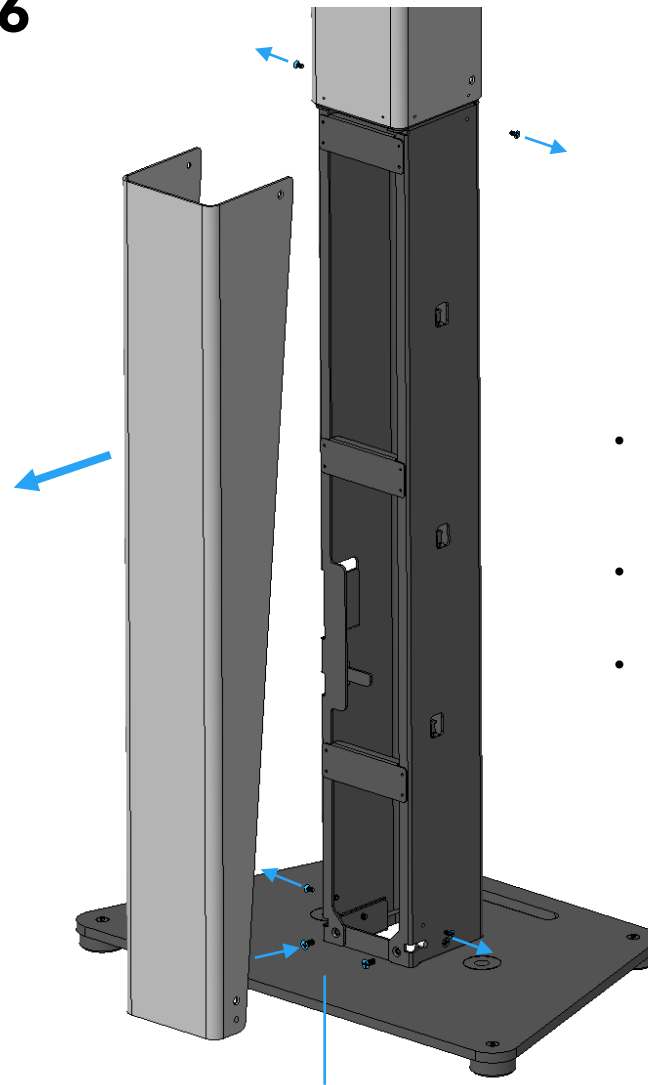
Attach GND cable to base plate using (1) screw and GND cable from bag "Grounding".

5



Assemble base plate to tower using (4) screws from bag "K".

6

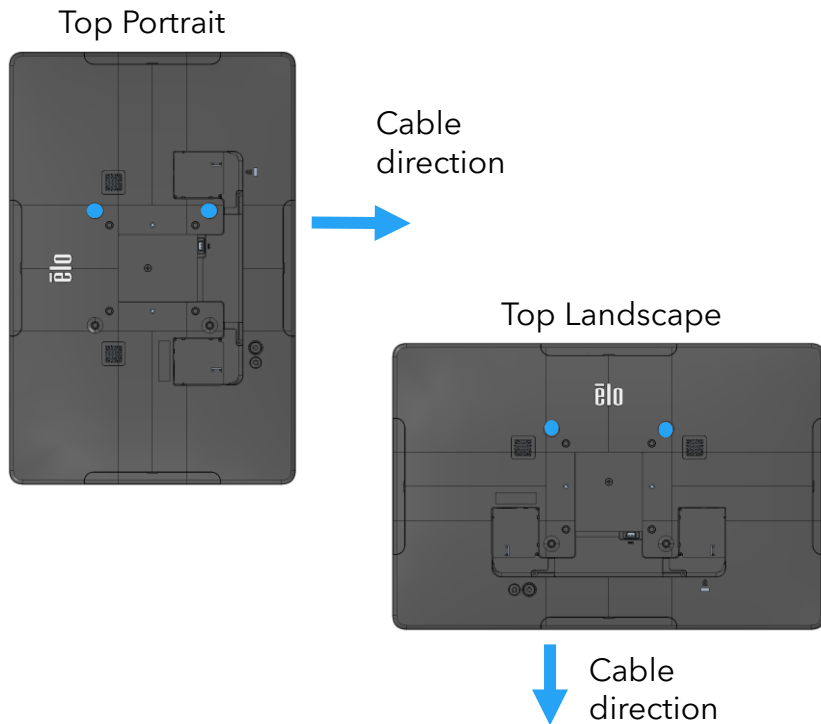


Add (2) more screws from bag "K".

- Remove and save (4) screws on the left and right of the stand tower.
- Pull off the silver cover and set aside.
- Add (2) more screws from bag "K" at bottom front of tower.

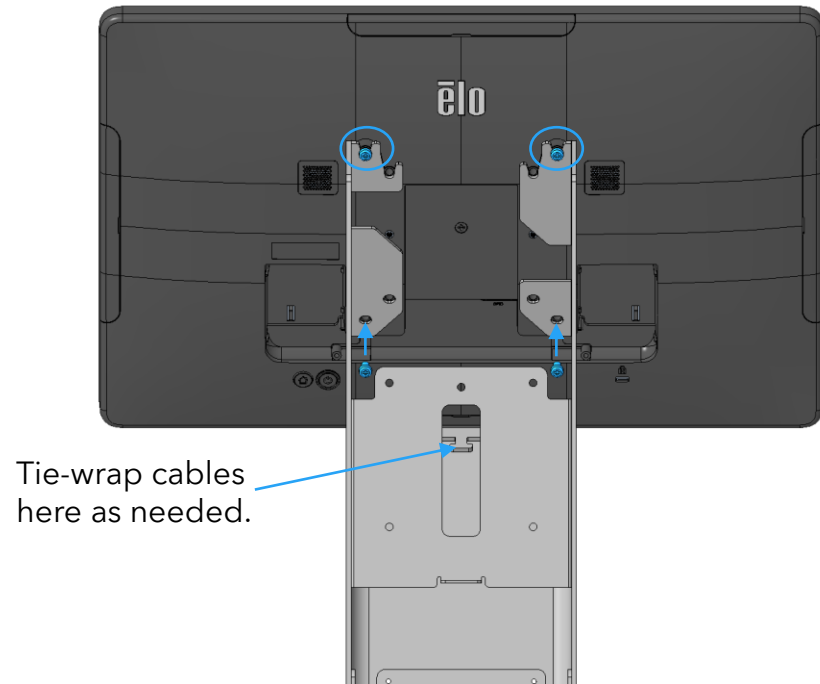
7

Android
(For Windows, skip to step 9)



Add (2) screws from bag "L" to top VESA positions.
Leave ~3mm (1/8") gap for mounting to stand.

8



- Assemble the display to top slotted holes on stand.
- Add additional (2) screws from bag "L" to bottom VESA mount holes to secure the display and tighten upper screws.

9

Windows Landscape
(For Windows Portrait, skip to step 11)

15" Landscape

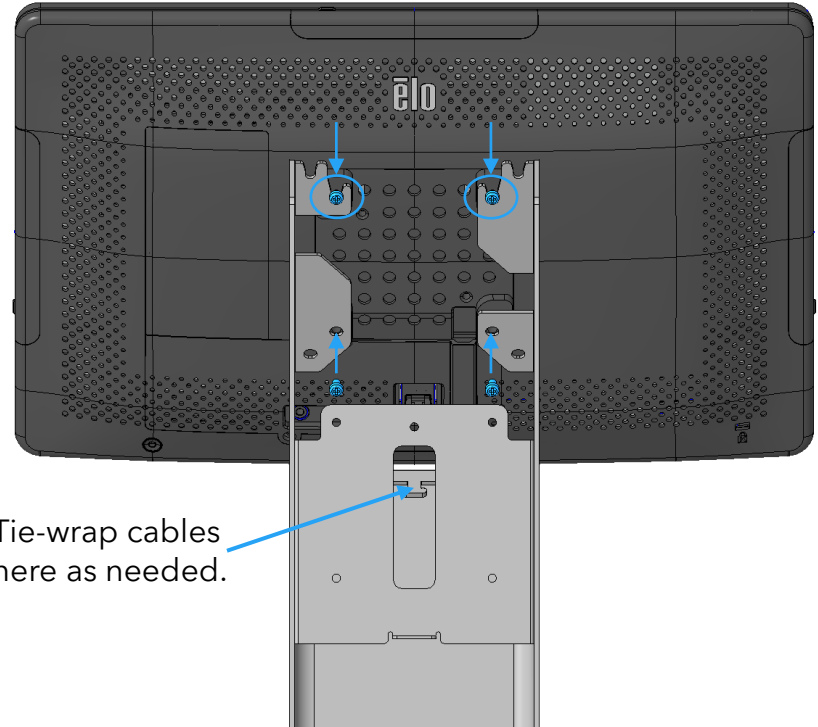


22" Landscape



15": add (2) screws from bag "M" to top 75mm VESA positions.
22": add (2) screws from bag "N" to top 75mm VESA positions.
Leave ~3mm (1/8") gap for mounting to stand.

10



- Assemble the display to top slotted holes on stand.
- Add additional (2) screws from bag "L" to bottom VESA mount holes to secure the display.

11

Windows Portrait

15" Portrait

22" Portrait

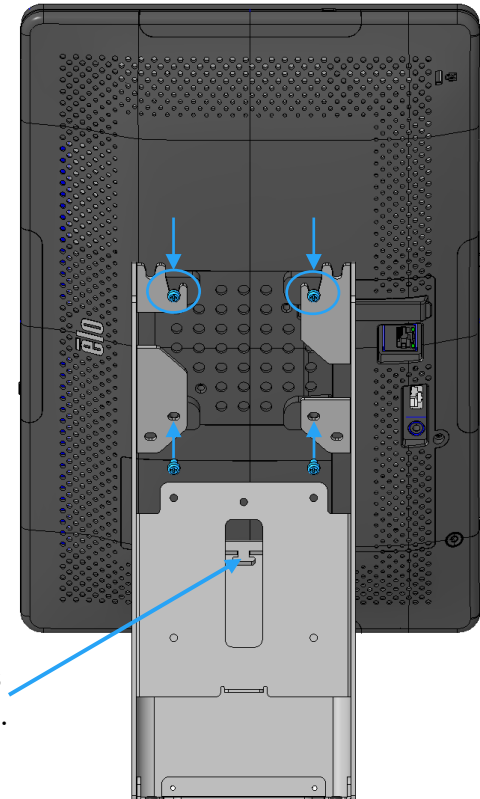


15": add (2) screws from bag "M" to top 75mm VESA positions.
 22": add (2) screws from bag "N" to top 100mm VESA positions.

Leave ~3mm (1/8") gap for mounting to display bracket.

12

Windows 15" Portrait (For Windows 22" Portrait, skip to step 13)

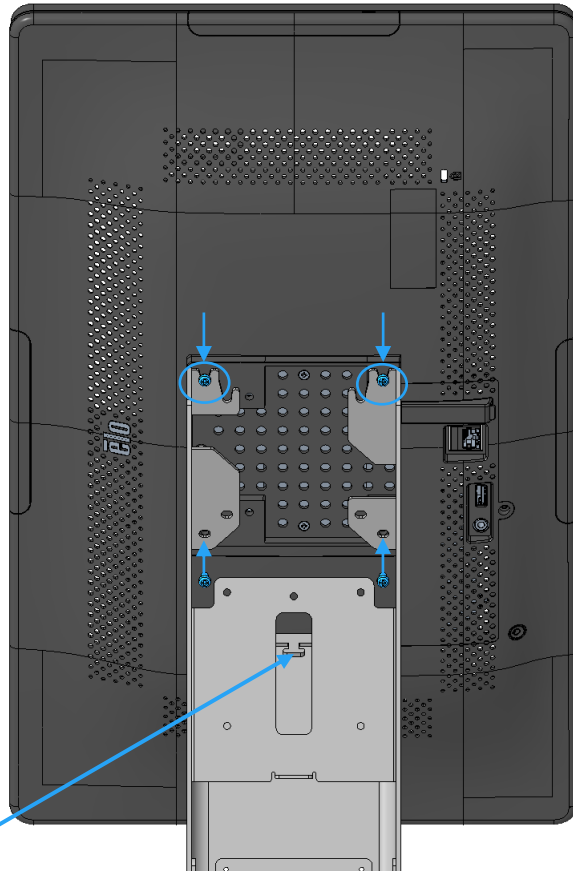


Tie-wrap cables here as needed.

- Assemble the display to top slotted holes on stand.
- Add additional (2) screws from bag "L" to bottom VESA mount holes to secure the display.

13

Windows 22" Portrait

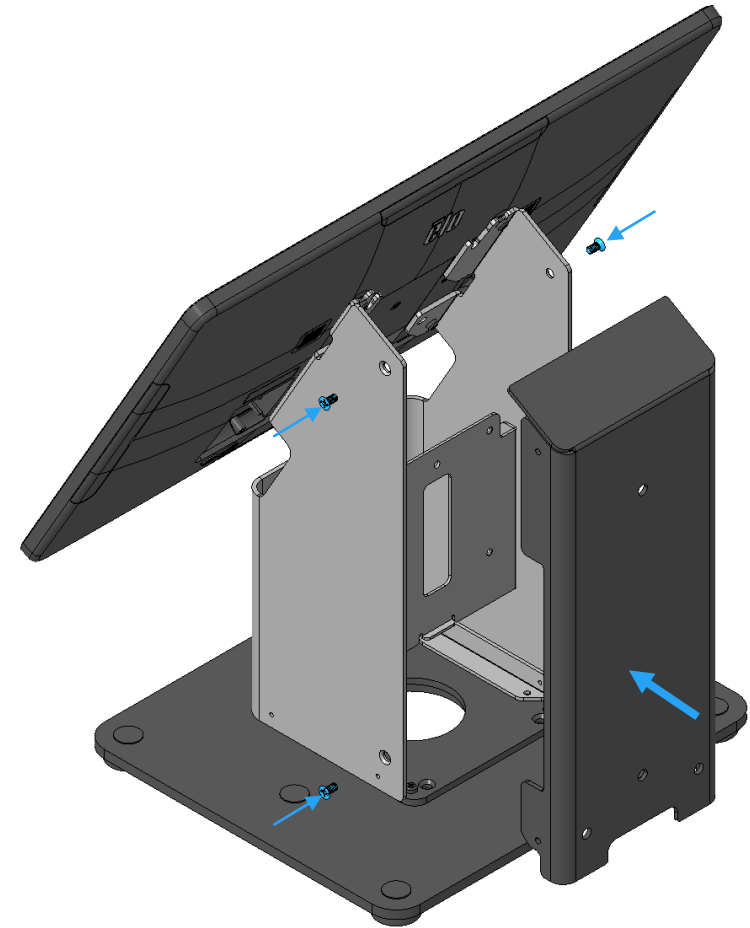


Tie-wrap cables here as needed.

Assemble the display to top slotted holes on stand. Add additional (2) screws from bag "L" to bottom VESA mount holes to secure the display.

Skip to Step **15** for Floor Stand

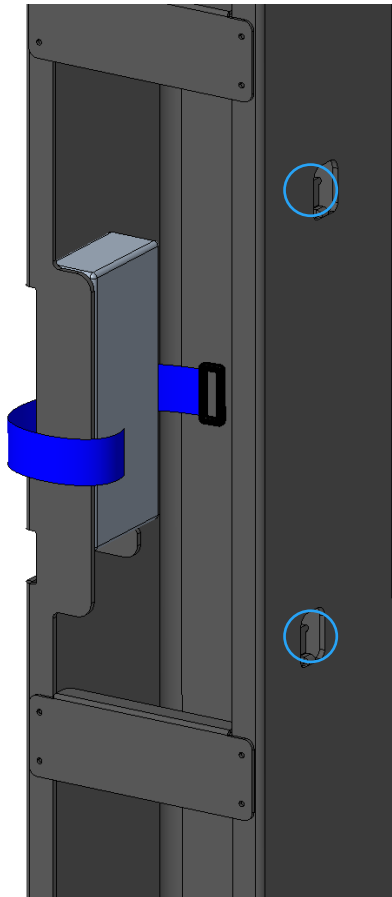
14



Route cables through bottom of stand. Attach back cover using screws saved from step **2**.

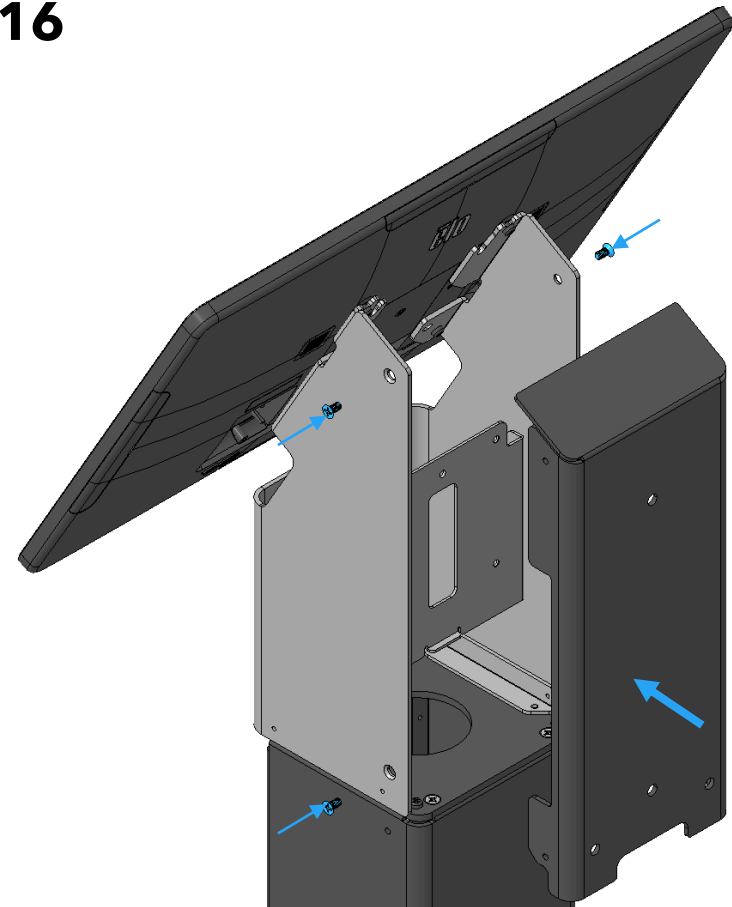
END for Countertop Stand

15



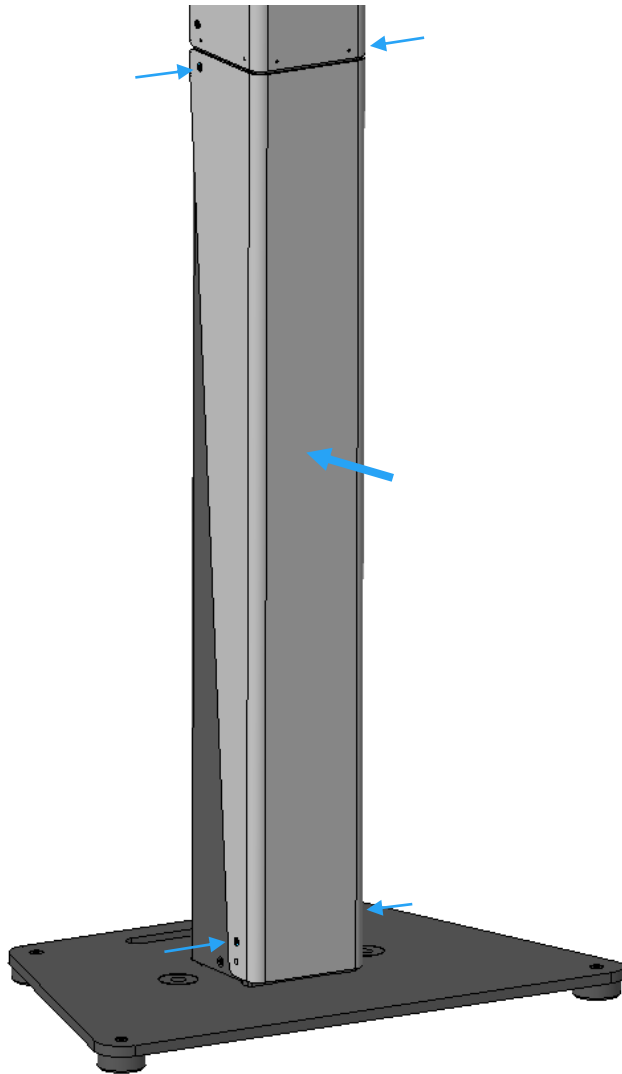
- Add power brick into tower using provided strap.
- Route additional cables through base, tower & head as needed, tying off cables where shown.

16



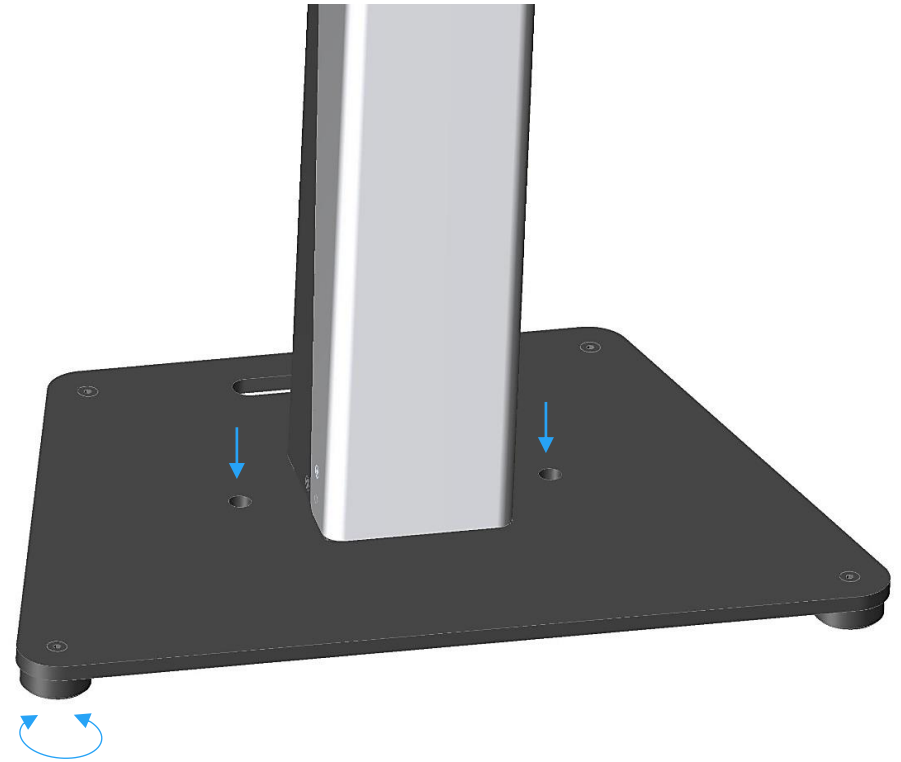
Attach back cover using screws saved from step **2**.

17



Replace floor stand cover and secure using (4) screws saved from step 6.

18



Two bolt holes (14mm [0.55"] dia. X2) are available on top of base to secure stand to floor. Feet can be adjusted in case of uneven surfaces.

END for Floor Stand

Learn more about Elo at [EloTouch.com](https://www.elotouch.com).

Americas

Tel +1 408 597 8000
EloSales.NA@elotouch.com

Europe (EMEA)

Tel +32 16 930 136
EMEA.sales@elotouch.com

Asia Pacific

Tel +86 (21) 3329 1385
EloAsia@elotouch.com

The information in this document is subject to change without notice. Elo Touch Solutions, Inc. and its Affiliates (collectively “Elo”) makes no representations or warranties with respect to the contents herein, and specifically disclaims any implied warranties of merchantability or fitness for a particular purpose. Elo reserves the right to revise this publication and to make changes from time to time in the content hereof without obligation of Elo to notify any person of such revisions or changes.

No part of this publication may be reproduced, transmitted, transcribed, stored in a retrieval system, or translated into any language or computer language, in any form or by any means, including, but not limited to, electronic, magnetic, optical, chemical, manual, or otherwise without prior written permission of Elo Touch Solutions, Inc.

Elo, the Elo logo and Wallaby are either trademarks or registered trademarks of Elo Touch Solutions, Inc.