

Scan this QR code for product information, videos, and assembly assistance.

## HEAVY-DUTY DUAL MONITOR MOUNT WITH POLE & GAS SPRING ARMS



**HAVE QUESTIONS?**

Monday - Friday from 5:00am - 5:00pm PST



[support@mount-it.com](mailto:support@mount-it.com)



(855) 925-5668



[www.mount-it.com](http://www.mount-it.com)

# Thank you for choosing Mount-It!

**EN** Read the entire instruction manual before you start installation and assembly. If you have any questions regarding any of the instructions or warnings, please contact Mount-It! for assistance.

**CAUTION:** Use with products heavier than the rated weights indicated may result in instability causing possible injury.

- Please closely follow the assembly instructions. Improper installation may result in damage or serious personal injury.
- Safety gear and proper tools must be used. This product should only be installed by professionals.
- This product is designed to be installed on solid concrete walls, masonry walls or wood stud walls.
- Make sure that the supporting surface will safely support the combined weight of the equipment and all attached hardware and components.
- Use the mounting screws provided and DO NOT OVER TIGHTEN mounting screws.
- This product contains small parts that could be a choking hazard if swallowed. Keep these items away from children.
- This product is intended for indoor use only. Using this product outdoors could lead to product failure and personal injury.

**IMPORTANT:** Ensure that you have received all parts according to the component checklist prior to installation. If any parts are missing or faulty, contact Mount-It! for a replacement.

**MAINTENANCE:** Check that the product is secure and safe to use at regular intervals (at least every three months).

**DE** Lesen Sie die gesamte Bedienungsanleitung, bevor Sie mit der Installation und Montage beginnen. Wenn Sie Fragen zur Anleitung oder Warnungen haben, wenden Sie sich bitte an Ihren örtlichen Händler.

**VORSICHT:** Die Verwendung mit Produkten, die schwerer als die angegebenen Nenngewichte sind, kann zu Instabilität führen und zu möglichen Verletzungen führen.

- Bitte befolgen Sie die Montageanleitung genau. Eine unsachgemäße Installation kann zu Schäden oder schweren Verletzungen führen.
- Sicherheitsausrüstung und geeignete Werkzeuge müssen verwendet werden. Dieses Produkt sollte nur von Fachleuten installiert werden.
- Dieses Produkt ist auf massiven Betonwänden oder Mauerwerkswänden zu montieren.
- Stellen Sie sicher, dass die Auflagefläche des Gesamtgewichts des Geräts und aller angeschlossenen Hardware und Komponenten sicher trägt.
- Verwenden Sie die mitgelieferten Befestigungsschrauben und die Befestigungsschrauben NICHT ZU FEST ANZIEHEN.
- Dieses Produkt enthält Kleinteile, die beim Verschlucken eine Erstickungsgefahr darstellen können. Halten Sie diese Gegenstände von Kindern fern.
- Dieses Produkt ist nur für den Innenbereich bestimmt. Die Verwendung dieses Produkts im Freien kann zu Produktversagen und Verletzungen führen.

**WICHTIG:** Stellen Sie vor der Installation sicher, dass Sie alle Teile gemäß der Komponenten-Checkliste erhalten haben. Bei beschädigten oder fehlenden Teilen, wenden Sie sich an Ihre Verkaufsstelle, um Ersatz zu erhalten.

**WARTUNG:** Überprüfen Sie das Produkt in regelmäßigen Abständen auf Sicherheit und Stabilität (am besten alle drei Monate).

**FR** Lisez entièrement le guide d'utilisateur avant de commencer l'installation et le montage. Si vous avez des questions concernant les instructions ou les avertissements, veuillez contacter votre distributeur local pour une assistance.

**ATTENTION:** L'utilisation de produits plus lourds que les poids nominaux indiqués peut entraîner une instabilité causant des blessures potentielles.

- Les supports doivent être joints comme spécifié dans les instructions de montage. Une mauvaise installation peut entraîner des dommages ou de graves blessures aux personnes.
- Un équipement de sécurité et les outils appropriés doivent être utilisés. Ce produit devrait être installé uniquement par des professionnels.
- Ce produit est conçu pour être installé sur des murs avec poteaux en bois, des murs en béton massif ou murs en brique.
- Assurez-vous que la surface de soutien supporte en sécurité le poids combiné de l'équipement et de tous les matériaux et composants associés.
- Utilisez les vis de montage fournies et NE SERRER PAS TROP les vis de montage.
- Ce produit contient de petites pièces qui peuvent causer un étouffement si elles sont avalées. Éloignez ces pièces des enfants.
- Ce produit est prévu uniquement pour une utilisation à l'intérieur. L'utilisation de ce produit à l'extérieur peut entraîner une défaillance du produit ou des blessures aux personnes.

**IMPORTANT:** Avant l'installation, assurez-vous que vous avez reçu toutes les pièces selon la liste de vérification des composants. Si une pièce est manquante ou endommagée, téléphonez à votre distributeur local pour qu'il la remplace.

**MAINTENANCE:** A intervalles réguliers (au moins tous les trois mois) vérifiez que le support est d'utilisation sûre et fiable.

**RU** Перед началом установки и сборки прочитайте руководство по установке. Если у Вас возникли какие-либо вопросы относительно инструкции или предупреждений, свяжитесь с Вашим местным распространителем для получения помощи.

**Внимание:** Использование продукта, вес которого превышает указанный расчетный вес, может привести к неустойчивости и возможным травмам.

- Опоры должны быть установлены, как это показано в монтажных инструкциях. Неправильная установка может привести к получению серьезных травм.
- Необходимо использовать предохранительное устройство и специальные инструменты. Продукт должен устанавливаться только профессионалами.
- Продукт предназначен для установки на деревянные каркасные стены, твердые цементные стены или кирпичные стены.
- Убедитесь, что несущая поверхность выдержит вес всего установленного оборудования и комплектации.
- Необходимо использовать монтажные винты, входящие в комплект поставки, и НЕ ПЕРЕТЯГИВАТЬ монтажные винты.
- Данный продукт содержит маленькие детали, которые представляют опасность удушья при проглатывании. Такие детали необходимо хранить в недоступном для детей месте.
- Данный продукт предназначен только для эксплуатации в помещениях. Использование данного продукта на улице может привести к поломке продукта и получению травм.

**ВАЖНО:** Перед установкой убедитесь, что Вы получили все детали в соответствии со списком комплектации. Если не хватает каких-либо деталей или они поломаны, свяжитесь с Вашим местным распространителем по вопросу замены.

**ТЕХНИЧЕСКОЕ ОБСЛУЖИВАНИЕ:** Необходимо регулярно проверять (как минимум, раз в три месяца), чтобы кронштейн был зафиксирован, и его использование было безопасным.

**ES** Lea todo el manual de instrucciones antes de comenzar la instalación y ensamble de la unidad. Si tiene alguna inquietud con respecto a las instrucciones o advertencias, comuníquese con su distribuidor local.

**PRECAUCIÓN:** utilizar con productos de mayor peso al indicado en los límites de peso podría ocasionar inestabilidad y posibles heridas personales.

- Los soportes deben anclarse tal como se indica en las instrucciones de ensamble. Una incorrecta instalación podría ocasionar daños y serias heridas personales.
- Utilice las herramientas y equipo de seguridad adecuados. Este producto solo debe ser instalado por profesionales.
- Este producto está diseñado para instalaciones en paredes de madera sólida, concreto sólido o bloques.
- Asegúrese de que la superficie de fijación sostenga de manera segura el peso total del equipo y todos sus componentes y hardware.
- Utilice los tornillos de ensamble suministrados y NO aplique demasiada tensión a los tornillos.
- Este producto está diseñado para uso en interiores solamente. Utilizar este producto en exteriores podría ocasionar fallas y heridas personales.

**IMPORTANTE:** Asegúrese de que haya recibido todas las piezas según la lista de verificación de componentes para la instalación. Si falta alguna de las partes, o está dañada, comuníquese con su distribuidor.

**MANUTENIMIENTO:** Compruebe periódicamente que el soporte esté asegurado y listo para usar (al menos cada tres meses).

**PT** Leia todo o manual de instruções antes de iniciar a instalação e montagem. Se você tiver alguma dúvida sobre quaisquer uma das instruções ou avisos, por favor, entre em contato com o seu distribuidor local para assistência.

**ATENÇÃO:** O uso com produtos mais pesados do que os pesos indicados pode resultar em instabilidade, causando possíveis danos.

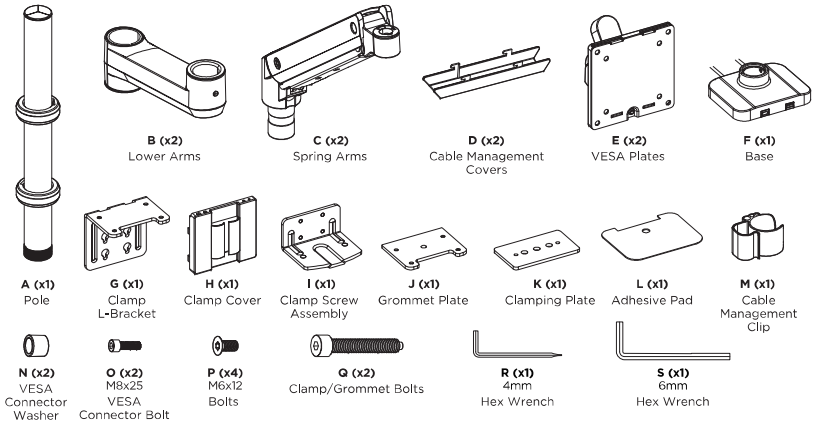
- Os suportes devem ser anexados como especificado nas instruções de montagem. A instalação incorreta pode causar danos ou sérias lesões pessoais.
- Equipamentos de segurança e ferramentas adequadas devem ser utilizadas. Este produto só deve ser instalado por profissionais.
- Este produto é projetado para ser instalado em pilares verticais de paredes de madeira, paredes de concreto sólido ou de tijolos.
- Certifique-se que a superfície de suporte suportará com segurança o peso combinado do equipamento e todas as ferragens e componentes anexados.
- Use os parafusos de montagem fornecidos e NÃO APERTE EXCESSIVAMENTE os mesmos.
- Este produto contém pequenas peças que podem causar asfixia se ingeridas. Mantenha esses itens longe do alcance de crianças.

**IMPORTANTE:** Assegure-se que você recebeu todas as peças, de acordo com a lista de componentes, antes da instalação. Se alguma peça estiver faltando ou é defeituosa, contate o seu distribuidor local para substituição.

**MANUTENÇÃO:** Certifique-se que o suporte seja seguro e protegido para o uso em intervalos regulares (pelo menos a cada três meses).



## Mount and Accessories



## Monitor Mounting Hardware x2

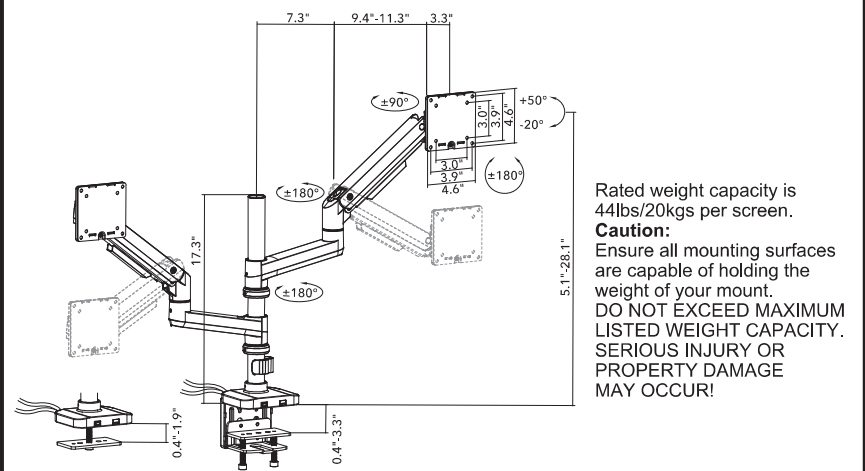


Check carefully to make sure there are no missing or defective parts. Some hardware provided may not be used. Use the correct mounting hardware suitable for your installation.

**CHOKING HAZARD.** Package includes small parts. Not for children under 3 years. Adult supervision is required.

Missing Parts? Call us at (855) 925-5668 and we will ship replacement parts free of charge.

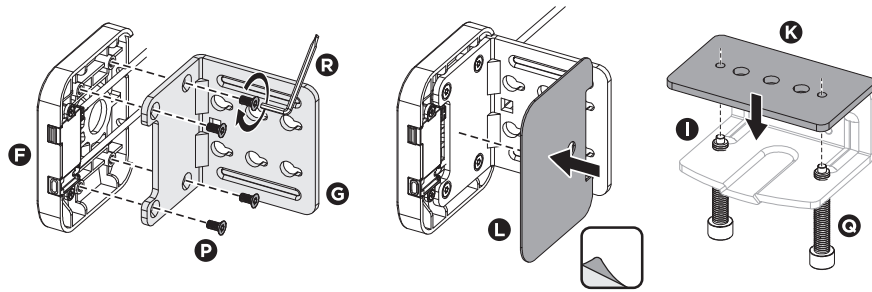
## DIMENSIONS & WEIGHT CAPACITY



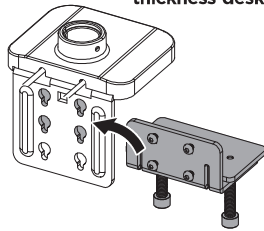
## Step 1a

### Clamp Installation for 10-85mm thickness desks

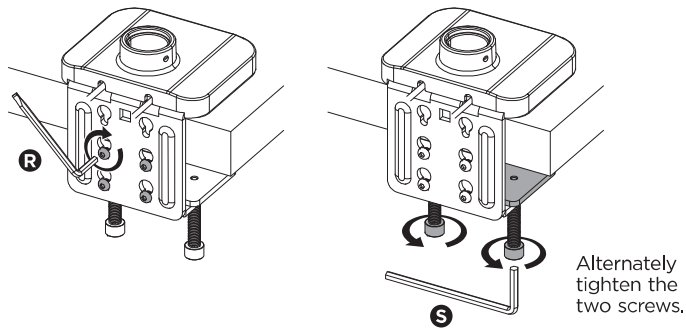
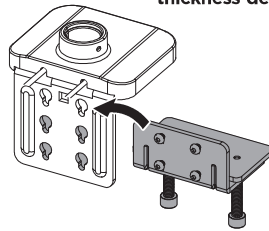
- Connect Clamp L-Bracket (#G) to the Base (#F) using Bolts (#P) and tighten until secure.
- Peel off the backing from Adhesive Pad (#L) and stick it onto the installed Clamp L-Bracket as shown.
- Partially install the Clamp Bolts (#Q) to the Clamp Screw Assembly (#I), then place the Clamping Plate (#K) onto the tips of the bolts.



For 10-58mm  
thickness desks



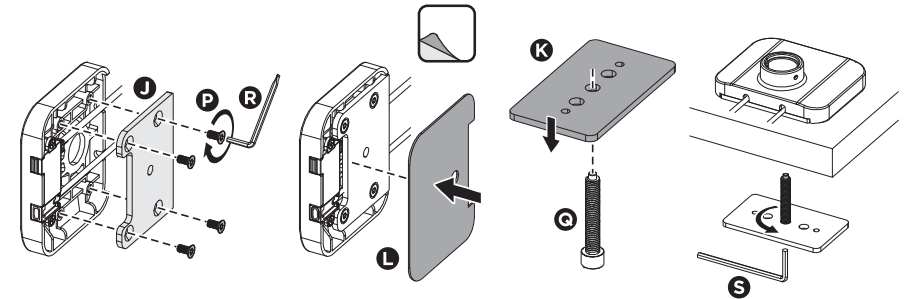
For 58-85mm  
thickness desks



## Step 1b

### Grommet Installation for 10-48mm thickness desks & $\phi 10$ -60mm installation holes

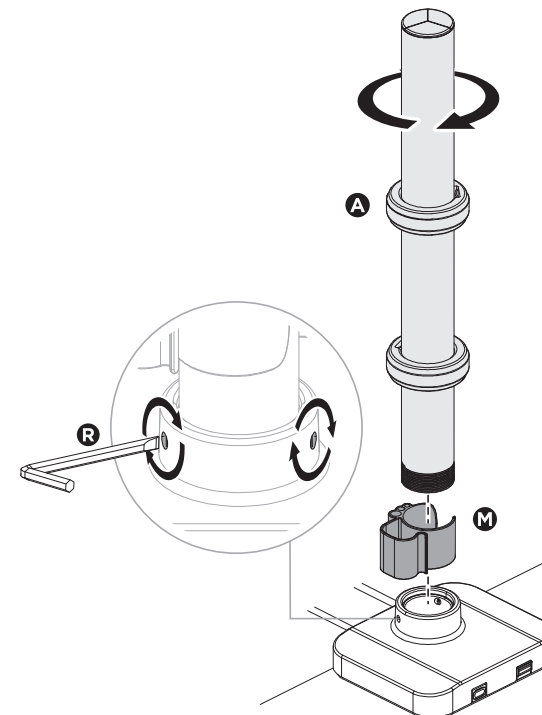
- Connect Grommet Plate (#J) to the Base (#F) using Bolts (#P) and tighten until secure.
- Peel off the backing from Adhesive Pad (#L) and stick it onto the installed Grommet Plate as shown.
- Insert one of the Grommet Bolts (#Q) through the center of the Clamping Plate (#K).
- Place the Base (#F) over the grommet hole, and attach the grommet bolt and clamping plate from underneath the desk and tighten until secure.



## Step 2

### Install the Pole

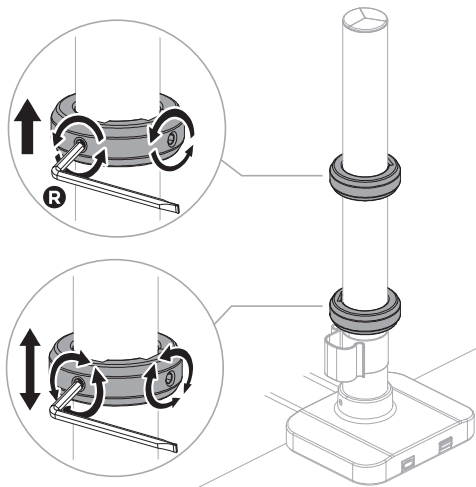
- Twist the threaded end of the Pole (#A) into the Base until it is fully tightened, then tighten the set screws on the base. Place the Cable Management Clip (#M) onto the pole.



### Step 3

#### Adjust the Collars

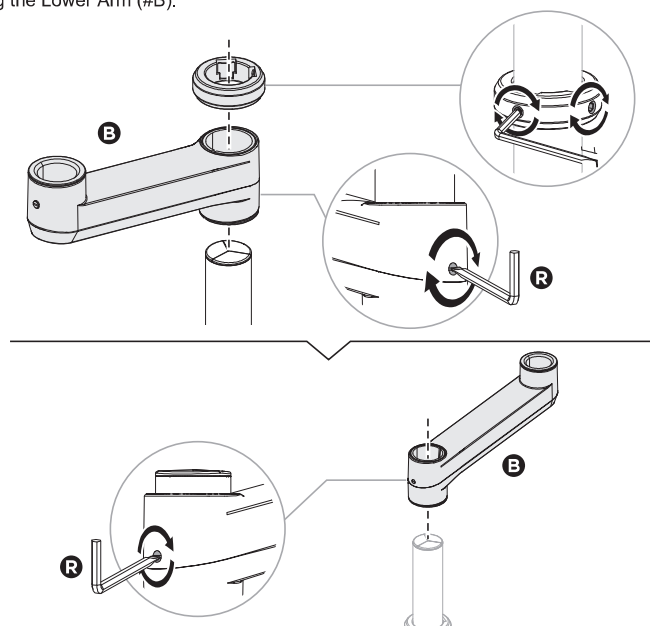
- Loosen the set screws on the lower collar to slide the collar up or down the pole to the desired height, then retighten.
- Loosen the set screws on the upper collar then slide it up and remove it from the pole.



### Step 4

#### Install the Lower Arms

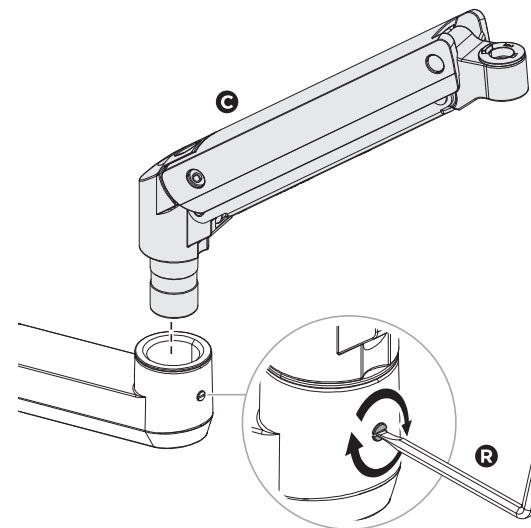
- Slide the first of the Lower Arms (#B) onto the pole until it rests on the collar, then partially tighten the set screw.
- Slide the upper collar back onto the pole, tighten the set screws at the desired height, then install the remaining the Lower Arm (#B).



### Step 5

#### Attach the Spring Arms

- Place the Spring Arms (#C) onto the end of the Lower Arms, then partially tighten the set screw.



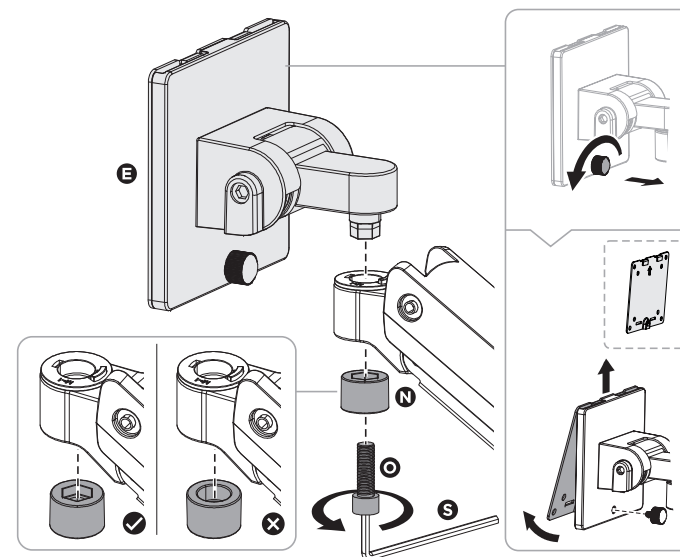
### Step 6

#### Connect the VESA Head to the Spring Arm

- Connect the VESA Head (#E) to the end of the Spring Arm using VESA Connector Washer (#N) and VESA Connector Bolt (#O). Tighten until secure using the Hex Wrench (#S).

**Note:** Ensure the Washer is oriented so that the hexagonal interior end is facing upwards, as illustrated here.

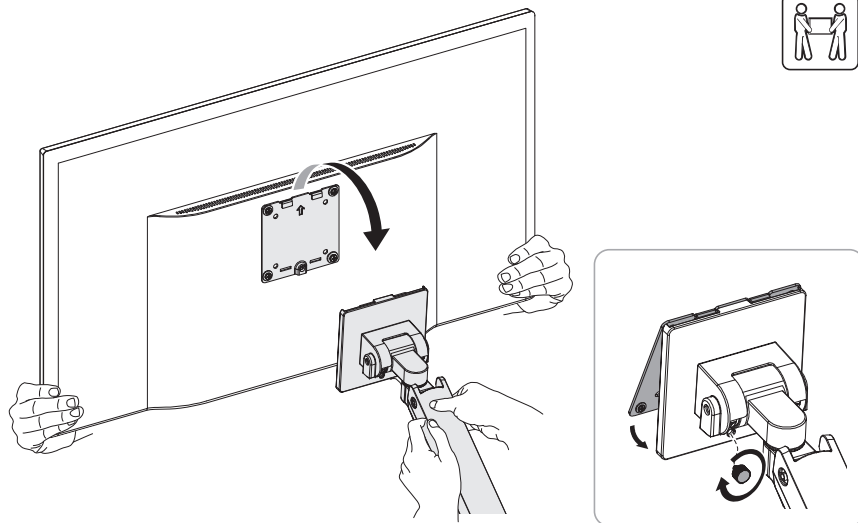
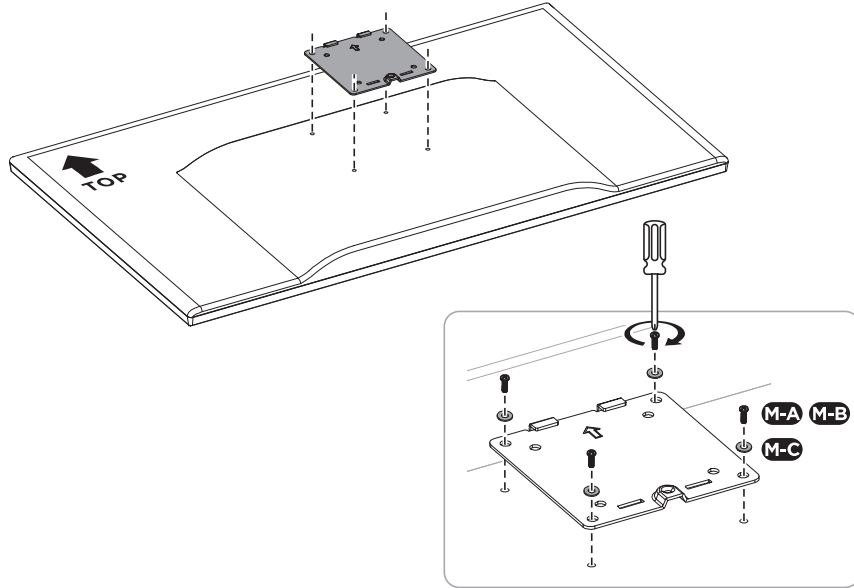
- Remove the thumb screw from the back of the VESA Head, pull the bottom of the VESA Plate on the front away then up to remove it.



## Step 7

### Attach the VESA Plate to the Monitor

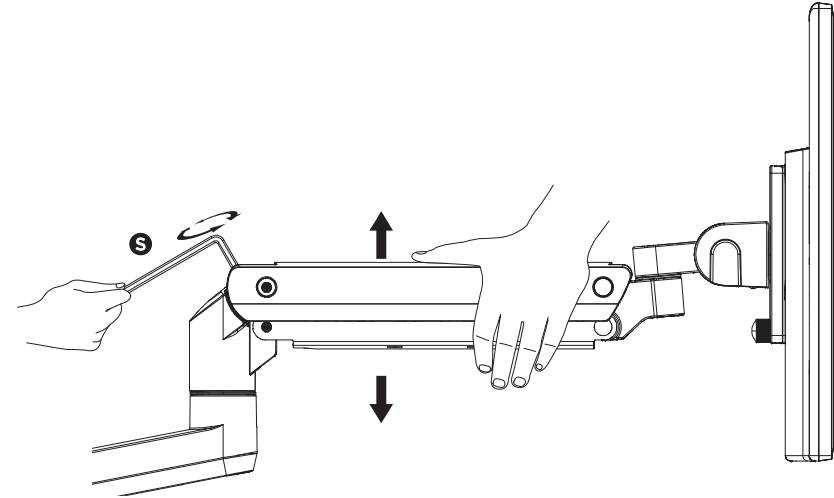
- Select the appropriate size mounting bolt (#M-A, M-B) for your monitor's mounting holes and verify the length of the VESA bolt is not too long. If you are unsure of the correct bolt size for your display refer to your monitor user manual or contact the monitor manufacturer for sizing information.
- Install the VESA Plate onto the back of the monitor using the selected Bolts (#M-A or M-B) and Washers (#M-C) and ensure that the arrow on the plate is pointing up to the top of the monitor.



## Step 8

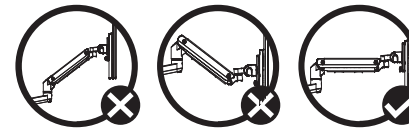
### Weight Balancing the Gas Spring Arm

- Gas Spring tension may need to be adjusted to suit the weight of the monitors. To weight balance the two gas spring arms, begin by pushing the arm down to the lowered position, then use Hex Wrench (#S) to adjust the nut as pictured above, turning counterclockwise toward the + (plus) sign for heavier monitors, increasing the tension and clockwise toward the - (minus) sign for lighter monitors, lowering the tension. Adjust until the arm does not raise back to the highest position or sink to the lowest position when released. This might require multiple rotations to reach the desired tension.



To properly balance the arm with monitor mounted, adjust the spring tension using the supplied Allen Key as follows:

First, position and firmly hold the arm horizontally as shown. Ask for assistance should you require it.



**CAUTION:** To avoid damage to monitor or mount, always keep the arm in a horizontal position while making adjustments. Again, ask for assistance if required.



If the arm **drops**, turn the adjustment screw counter-clockwise until it stays in a horizontal position.



If the arm **rises**, turn the adjustment screw clockwise until it stays in a horizontal position.

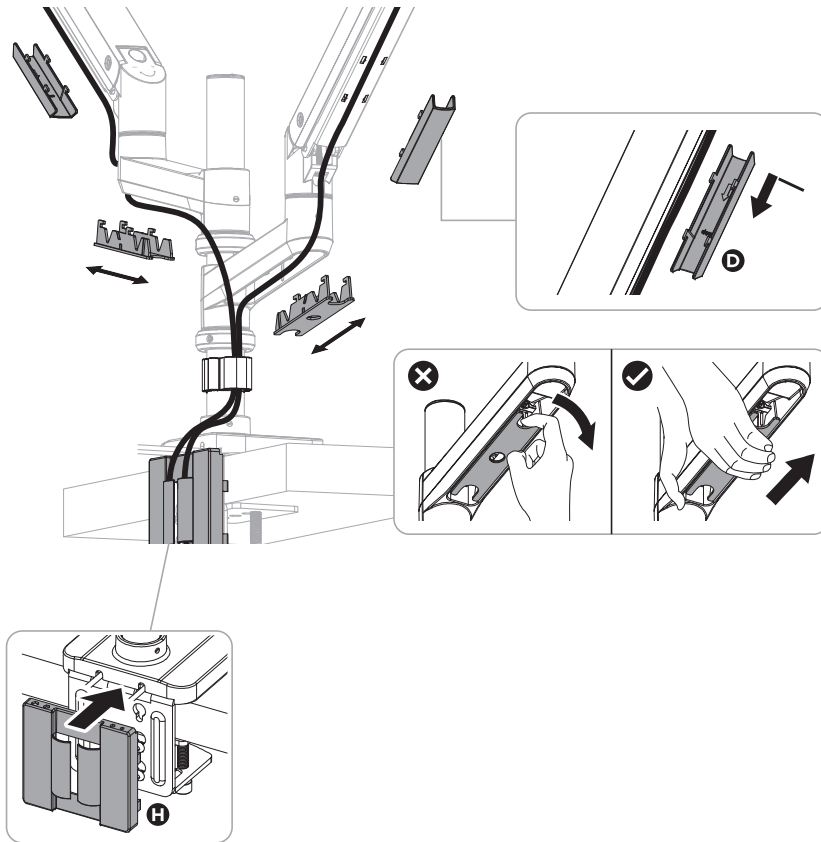


**CAUTION:** **DO NOT** over tighten the screws.

## Step 9

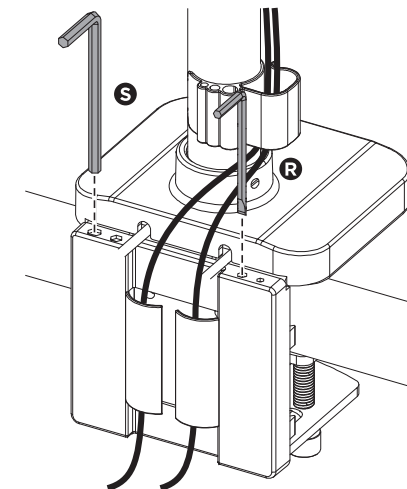
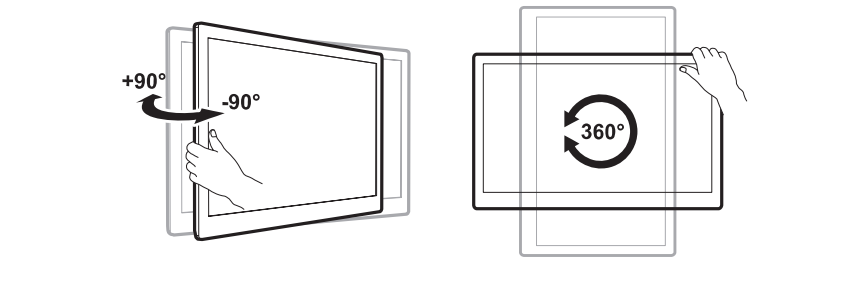
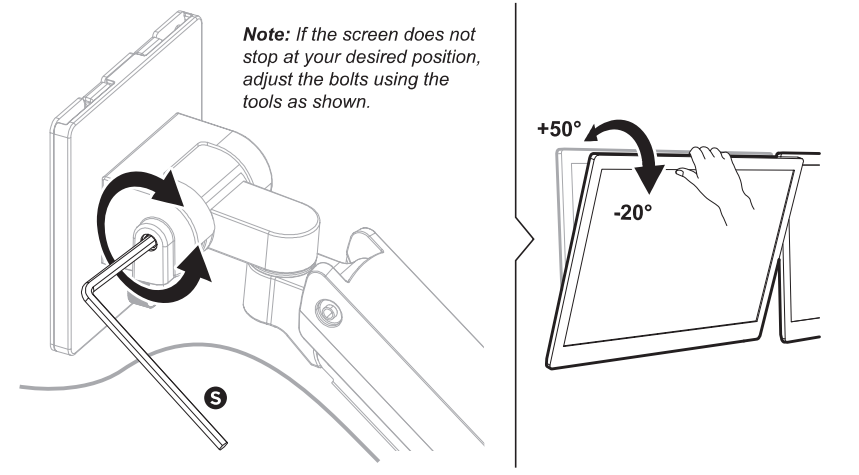
### Cable Management

- Attach the Clamp Cover (#H) to the rear of the clamp to utilize the cable management clips and to store the Hex Wrenches.
- Remove the cable management covers by sliding them up parallel to the arms, then pull them away. Route cables and reinstall the covers.



## Step 10

### Final Adjustments



Visit us at [www.mount-it.com](http://www.mount-it.com) for product registration and warranty information.

---

Our US based customer service team is standing by to answer any questions you have about your Mount-It! product.



[support@mount-it.com](mailto:support@mount-it.com)

Available by phone **Monday - Friday from 5:00am to 5:00pm** PST.



(855) 925-5668

*Chat live with an agent on our website!*



[www.mount-it.com](http://www.mount-it.com)