

# Color Camera

## Operating Instructions

Before operating the unit, please read this manual thoroughly and retain it for future reference.

HDC5500  
HDC3500

---

# Table of Contents

<b>Overview .....</b>	<b>3</b>
Supported Formats.....	3
System Configuration.....	5
<b>Locations and Functions of Parts .....</b>	<b>8</b>
Accessory Attachments.....	8
Controls and Connectors.....	9
Transmission Adaptor Options .....	13
<b>Preparations.....</b>	<b>14</b>
Attaching a Lens.....	14
Adjusting the Flange Focal Length .....	15
Attaching an Eyepiece Viewfinder .....	15
Attaching an Electronic Viewfinder .....	16
Attaching the Cable Clamp Belt (Supplied) .....	17
Adjusting the Shoulder Pad Position.....	18
Mounting the Camera to a Tripod .....	18
<b>Adjustments and Settings for Shooting.....</b>	<b>20</b>
Adjusting the Black Balance and White Balance.....	20
Setting the Electronic Shutter .....	22
Setting the Transport Conversion Function.....	22
Setting the Focus Assist Functions .....	23
Setting the Focus Position Meter Function.....	24
Setting the VF Dynamic Contrast Function.....	25
<b>Setting the Camera Outputs .....</b>	<b>26</b>
<b>Viewfinder Screen Status Display .....</b>	<b>28</b>
<b>Menu Operations .....</b>	<b>29</b>
Starting Menu Operations.....	29
Selecting Pages .....	30
Setting the Menu Items.....	30
Editing the USER Menu.....	31
<b>Menu List.....</b>	<b>34</b>
Menu Tree.....	34
OPERATION Menu .....	40
PAINT Menu .....	54
MAINTENANCE Menu.....	60
FILE Menu .....	91
DIAGNOSIS Menu .....	93
<b>Appendix.....</b>	<b>94</b>
Precautions.....	94
Digital Triax Transmission (when HKC-TR37 is installed).....	94
Error Messages .....	95
<b>Using a USB Drive.....</b>	<b>96</b>
<b>Specifications .....</b>	<b>97</b>
HDC5500 .....	97
HDC3500 .....	98
HKC-FB50 .....	99
HKC-FB30 .....	99
HKC-TR37 .....	99
HKC-CN50 .....	99
HKC-WL50 .....	99
Dimensions.....	100

# Overview

The HDC5500/3500 is a color camera equipped with a newly developed 2/3 inch 4K CMOS sensor with global shutter for F10 (4K/59.94P)/F11 (4K/50P) high sensitivity and high signal-to-noise ratio. Operation as a studio camera is supported when connected with a Camera Control Unit (CCU)<sup>a)</sup> using fiber cables. Connection with other CCUs and wireless transmission are also supported by replacing the transmission adaptor side panel of the unit with the following optional transmission adaptors.

## HKC-FB50 UHB Fiber Transmission Adaptor<sup>b) c)</sup>

Connects an HDCU5000/5500 Camera Control Unit to the unit to support UHB optical transmission.

## HKC-TR37 Triax Transmission Adaptor<sup>c)</sup>

Connects an HDCU3170 Camera Control Unit to the unit to support triax transmission.

## HKC-WL50 Wireless Transmission Adaptor<sup>b) c)</sup>

Connects to the unit to support wireless transmission of video signals and control signals.

## HKC-FB30 Fiber Transmission Adaptor<sup>c)</sup>

Connects an HDCU3500/3100 or HDCU2000-series Camera Control Unit to the unit to support optical transmission.

a) For details about camera control units that can be connected, see the system configuration diagrams (page 5).

b) Use camera software version 2.00 or later.

c) The HKC-CN50 Side Panel Attachment Kit (option) is required in order to use the transmission adaptor.

## Notes

- Before starting system operation, check that the software version and ROM version of the unit and system devices meet the version requirements.
- For details about changing the transmission adaptor side panel, contact a Sony service or sales representative.

## Supported Formats

The HDC3500 supports 1080-59.94i/50i and 720-59.94P/50P formats as standard. The HDC5500 also supports 1080-59.94P/50P and HDR formats as standard.

(When an HKC-TR37 is installed in the HDC3500, 1080-59.94P/50P and HDR formats are supported as standard.)

You can extend the formats that are supported by installing the following camera operating software (option).

For details, contact a Sony service or sales representative.

Extended formats	Camera operating software					
	HZC-DFR50	HZC-HFR50	HZC-PRV50	HZC-PSF50	HZC-UG50	HZC-UHD50 <sup>*1</sup>
1080-59.94P		○	○			○
1080-50P		○	○			○
1080-59.94i (x2)	○	○				
1080-50i (x2)	○	○				
1080-59.94P (x2)	○ <sup>*2</sup>	○ <sup>*2</sup>				
1080-59.94P (x3)/(x4)		○ <sup>*2</sup>				
1080-59.94P (x6)/(x8)		○ <sup>*3</sup>				
1080-50P (x2)	○ <sup>*2</sup>	○ <sup>*2</sup>				
1080-50P (x3)/(x4)		○ <sup>*2</sup>				
1080-50P (x6)/(x8)		○ <sup>*3</sup>				
1080-24PsF				○ <sup>*4</sup>		
1080-23.98PsF				○ <sup>*4</sup>		
1080-25PsF				○		
1080-29.97PsF				○		
720-59.94P (x2)	○	○				
720-50P (x2)	○	○				
4K-59.94P			○ <sup>*5</sup>			○ <sup>*2</sup>
4K-50P			○ <sup>*5</sup>			○ <sup>*2</sup>

Extended formats	Camera operating software					
	HZC-DFR50	HZC-HFR50	HZC-PRV50	HZC-PSF50	HZC-UG50	HZC-UHD50 *1
4K-59.94P (x2)		○				○
4K-50P (x2)		○				○
4K-24P						○
4K-23.98P						○
4K-25P						○
HD (RGB 444)					○	

○: Required camera operating software

\*1 On HDC5500 models for Japan and China, HZC-UHD50 is pre-installed.

\*2 HKC-FB50 or HKC-WL50 is required.

\*3 HKC-FB50 is required.

\*4 Use on triax model is not supported.

\*5 For the HDC3500, attachment of optional items to the camera control unit is required. For details, contact a Sony sales representative.

• Limited subscription licenses are available for each software, with the period of validity of the license indicated by the last character of the name.

If a character that does not denote a license period of validity is the last character, the license will not expire (indefinite).

– M: Valid for 30 days

– W: Valid for 7 days

– P: Portable licenses valid for 365 days\*

\* Portable license are available for HZC-HFR50/UHD50 software

## Notes on camera operating software use

The following limitations apply according to the camera operating software and side panel attachment.

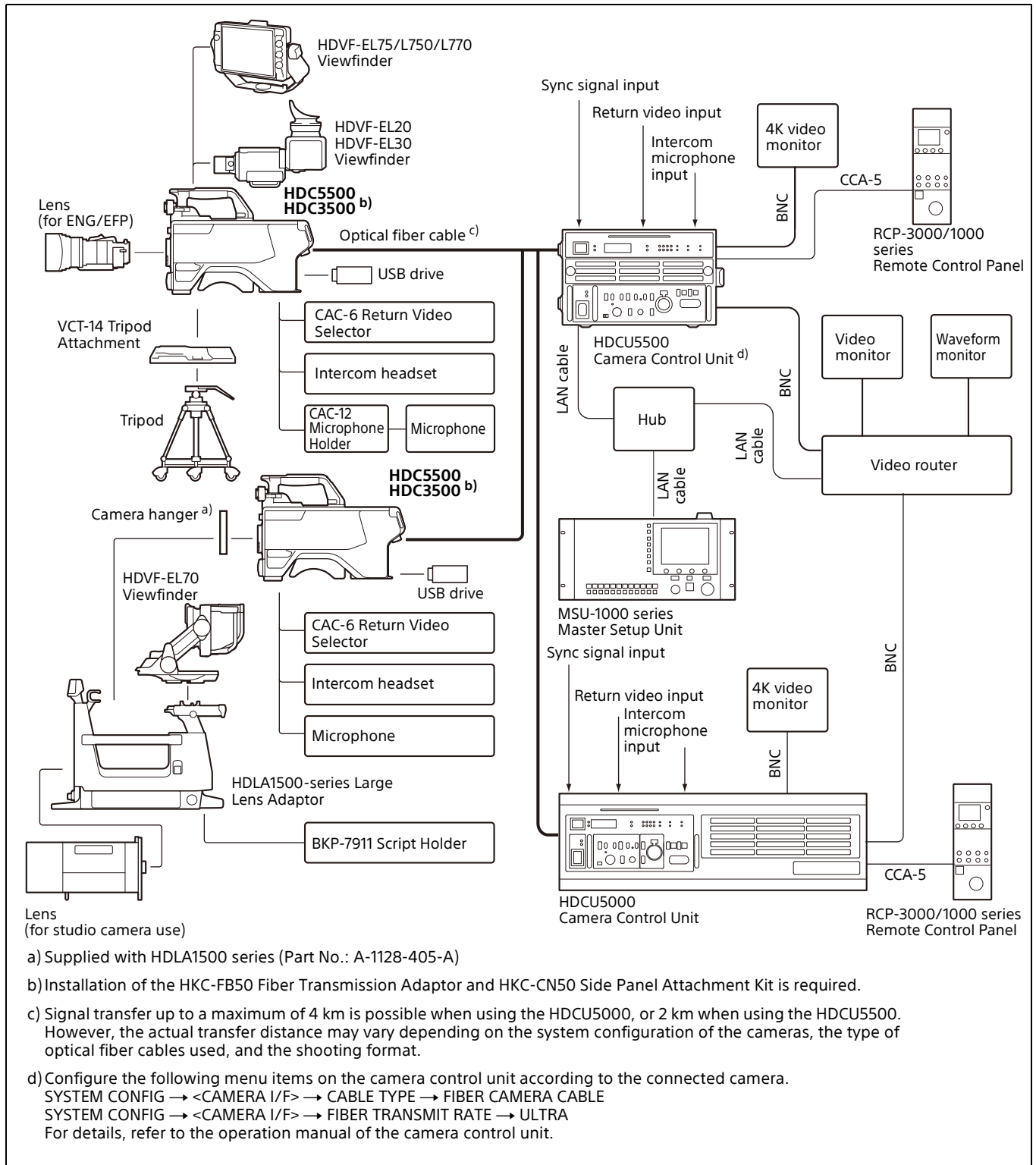
Camera operating software	Limitations
HZC-UG50 (4:4:4 output)	<ul style="list-style-type: none"> <li>When an HKC-WL50 or HKC-TR37 is installed in the HDC5500/3500, 4:4:4 output is not supported.</li> </ul>
HZC-PRV50 (Progressive output)	<ul style="list-style-type: none"> <li>When HZC-HFR50 or HZC-UHD50 software is installed in the HDC5500/3500, this option is not required.</li> <li>When an HKC-FB50 or HKC-TR37 is installed in the HDC5500/3500, this option is not required.</li> <li>When an HKC-FB50 or HKC-WL50 is installed in the HDC5500/3500, 1080P (HDR) output is not supported.</li> </ul>
HZC-PSF50 (PsF output)	<ul style="list-style-type: none"> <li>When an HKC-TR37 is installed in the HDC5500/3500, 24PsF and 23.98PsF output are not supported.</li> </ul>
HZC-DFR50 (x2 speed output)	<ul style="list-style-type: none"> <li>When HZC-HFR50 software is installed in the HDC5500/3500, this option is not required.</li> <li>When an HKC-FB50 is installed in the HDC5500/3500, x2 speed interlaced output is not supported.</li> <li>When an HKC-WL50 or HKC-TR37 is installed in the HDC5500/3500, x2 speed output is not supported.</li> <li>On the HDC3500 as shipped or when an HKC-FB30 is installed in the HDC5500/3500, only x2 speed interlaced output is supported.</li> </ul>
HZC-HFR50 (x2/3/4/6/8 speed output)	<ul style="list-style-type: none"> <li>On the HDC3500 as shipped or when an HKC-FB30 is installed in the HDC5500/3500, only x2 speed interlaced output is supported.</li> <li>When an HKC-TR37 is installed in the HDC5500/3500, x2 speed and higher output is not supported.</li> </ul>
HZC-UHD50 (4K output)	<ul style="list-style-type: none"> <li>When an HKC-FB50 is installed in the HDC5500/3500, 4K output is supported.</li> <li>When an HKC-WL50 is installed in the HDC5500/3500, 4K 24P, 23.98P, 25P, and 29.97P output are not supported.</li> <li>When an HKC-TR37 is installed in the HDC5500/3500, 4K output is not supported.</li> </ul>

# System Configuration

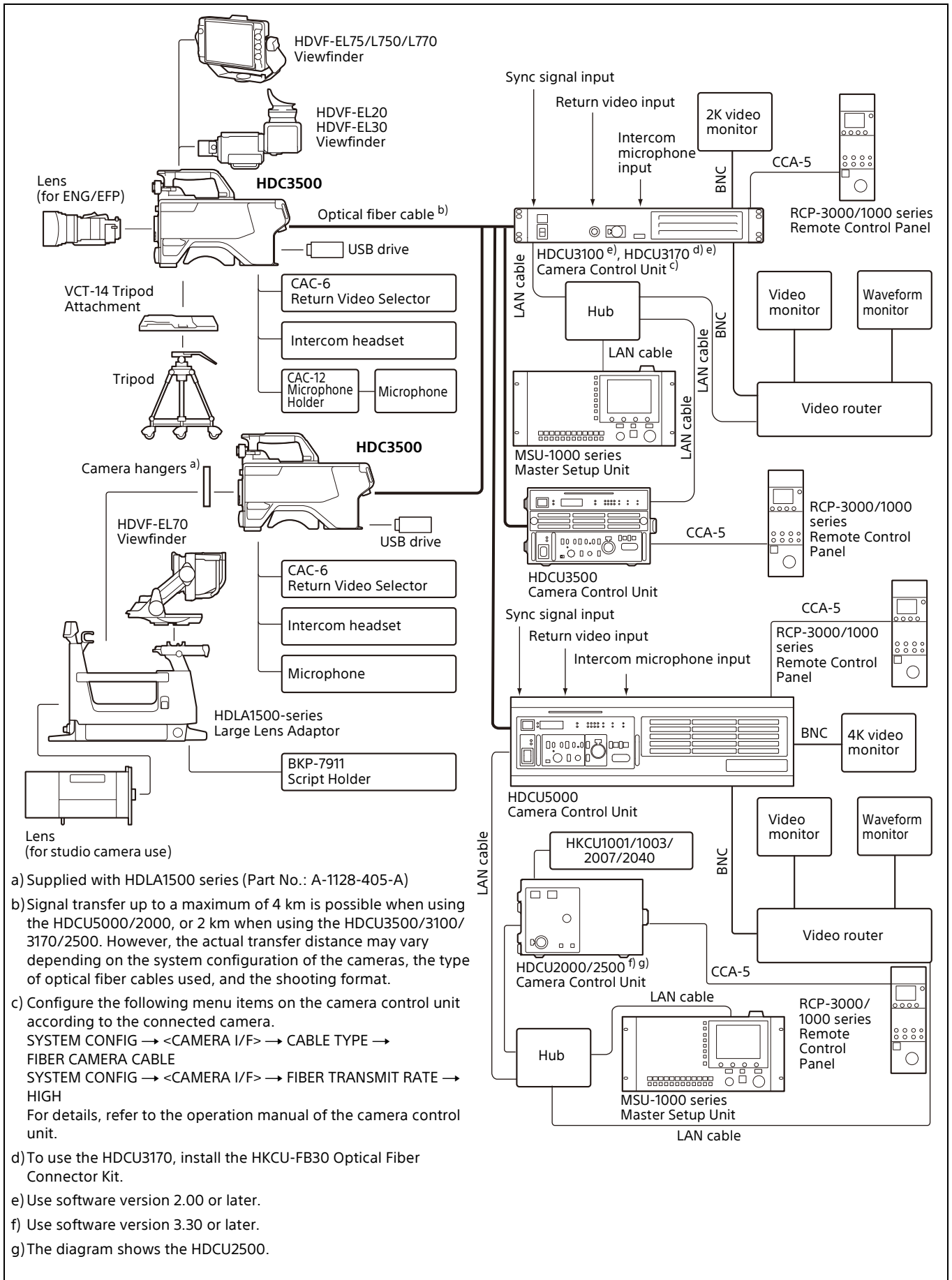
## Note

Production of some of the peripherals and related devices shown in the figures has been discontinued. For advice on choosing devices, please contact your Sony dealer or a Sony sales representative.

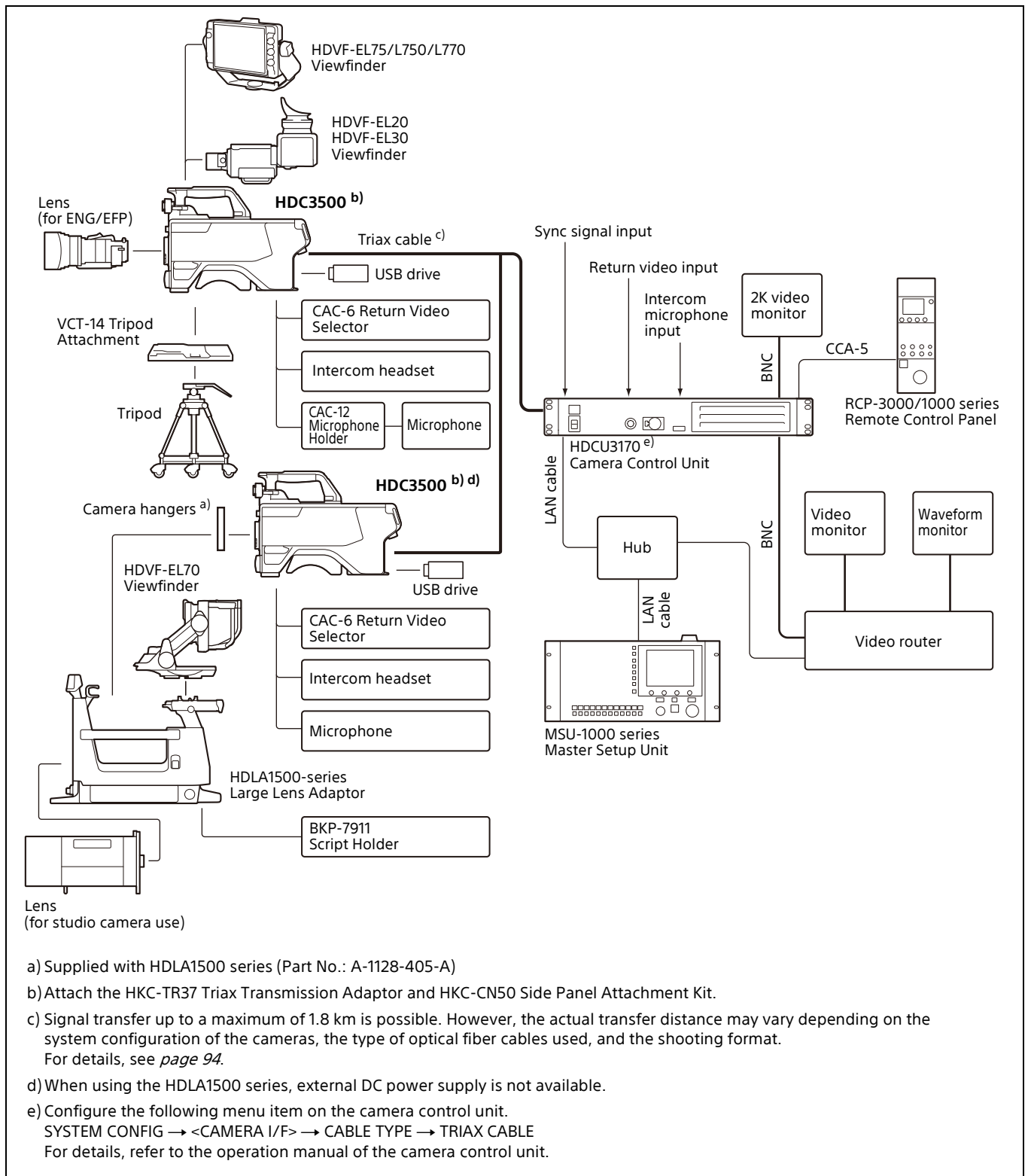
## Connection example (4K optical fiber transmission)



# Connection example (HD optical fiber transmission)

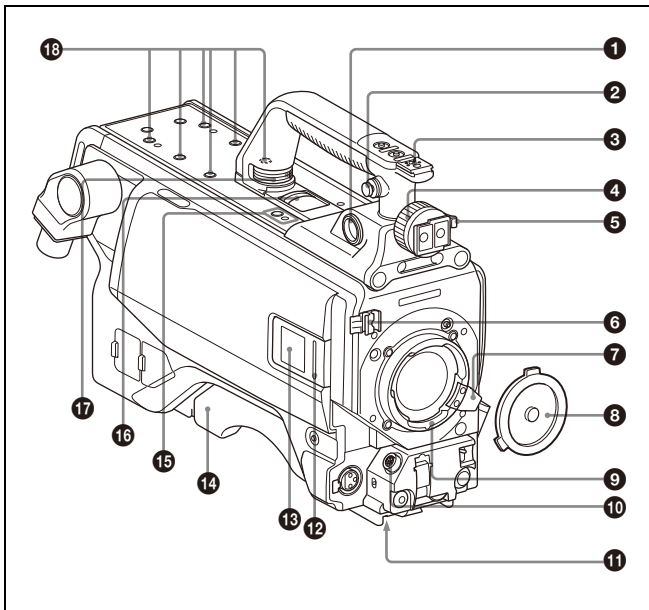


## Connection example (digital triax transmission)



# Locations and Functions of Parts

## Accessory Attachments



### 1 VF (viewfinder) connector (20-pin)

Connect the cable of the viewfinder (not supplied).

### 2 Shoulder strap fitting post

Attach one end of a shoulder strap (not supplied) to this fitting post, and the other end to the fitting post on the other side of the camera.

### 3 Accessory shoe

To attach an accessory using a 1/4-inch screw.

### 4 Viewfinder left-right positioning ring

Loosen this ring to adjust the viewfinder position towards the left or right.

### 5 Viewfinder front-rear positioning lever

Unlock the front-rear positioning lever to adjust the viewfinder position towards the front or rear, then lock in the desired position.

*For details on adjusting the viewfinder position, see "Attaching an Eyepiece Viewfinder" on page 15.*

### 6 Lens cable clamp

To secure the cable of the lens (not supplied).

### 7 Lens fixing lever

To secure the lens in the lens mount.

### 8 Lens mount cap

The cover can be removed by moving the lens fixing lever upwards. Always keep the lens mount covered with this cap when a lens is not attached.

### 9 Lens mount

To attach a lens.

### 10 LENS connector (12-pin)

Connect the lens cable. The camera can control the lens functions through this cable.

### 11 Tripod mount

Attach the VCT-14 Tripod Attachment when mounting the camera on a tripod.

### 12 LED lamp

Use as a tally. You can switch the function using the menu.

### 13 Camera number

The unit uses electronic paper (e-ink) type camera numbers. You can set the camera number using the menu.

### Note

The operating temperature range of the camera number setting is 0 °C to 45 °C (32 °F to 113 °F). The setting may not be configurable if the temperature range is exceeded. Check the temperature when configuring.

### 14 Shoulder pad

You can adjust the position so that you can get the best balance for shooting with the camera on your shoulder.

*For details, see "Adjusting the Shoulder Pad Position" on page 18.*

### 15 Microphone holder attachment

Use to attach a CAC-12 Microphone Holder.

*For details, refer to the microphone holder operation manual.*

### 16 Handle rotation release lever

Push the lever toward the rear with the handle rotation lock knob in the loosened state to enable rotation of the handle.

### 17 Handle rotation lock knob

Turn counterclockwise until loosened to unlock the handle. Rotate the handle to reduce the interference with the viewfinder and to enable wide angle adjustment of the tilt and pan of the viewfinder.

### 18 V-wedge shoe attachment points

Attach a V-wedge shoe here to mount an HDVF-EL75/L750/L770 Viewfinder.

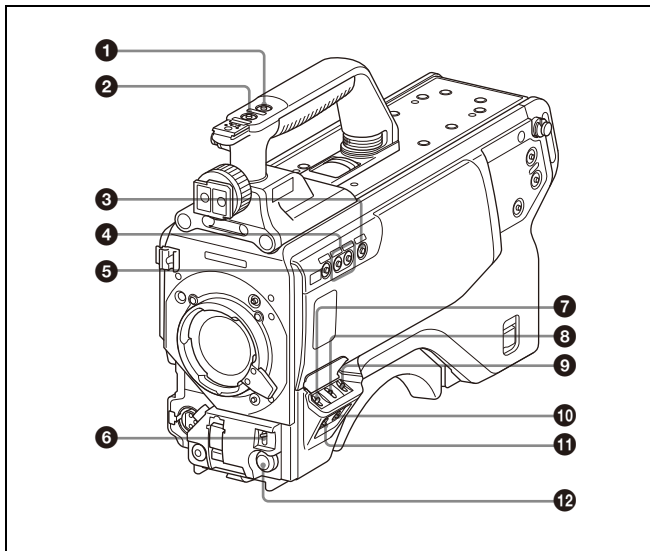
### Note

Select either the front or rear V-wedge shoe attachment points to attach the V-wedge shoe. If the front position is used, it may restrict the tilt/pan angle available for the viewfinder.

*For details about attachment, refer to the operation manual of the viewfinder.*

## Controls and Connectors

### Front right



#### 1 INCOM1 (intercom 1) button

The intercom 1 microphone is turned ON while this button is held pressed.

You can also assign other functions to this button, using the menu displayed on the viewfinder screen.

#### 2 RET 1 (return video 1) button

The return video 1 signal from the camera control unit is monitored on the viewfinder screen while this button is pressed. It functions the same as the RET 1 button on the side (*page 10*) and RET/ASSIGNABLE button A on the operation panel on the rear of the camera (*page 11 or 12*). You can also assign other functions to this button, using the menu displayed on the viewfinder screen.

#### 3 Assignable switch

You can assign a function using the menu displayed on the viewfinder screen.

You can also display the assigned function name by attaching the corresponding label (supplied) for the assigned function.

#### 4 Filter select buttons

You can switch the built-in ND and CC (color temperature conversion) filters by pressing the selectors while holding the FILTER LOCAL button depressed.

Pressing the left button selects the available ND filters (CLEAR, 1/4ND, 1/8ND, 1/16ND, 1/64ND) in sequence. Pressing the right button selects the available CC filters (cross, 3200K, 4300K, 6300K) in sequence.

#### 5 FILTER LOCAL button

While holding this button depressed, press either of the filter select buttons to select the built-in optical filters.

#### 6 AUTO W/B BAL (white and black balance automatic adjustment) switch

To automatically adjust white and black balance when the camera is used in standalone status without connecting to the camera control unit.

**WHT:** Automatically adjust white balance.

**BLK:** Automatically adjust black balance.

#### 7 GAIN switch

To select the gain of the video amplifier based on lighting conditions when the camera is used in standalone status without connecting a camera control unit.

When shipped from the factory, the values set are L = 0 dB, M = 6 dB, and H = 12 dB.

#### 8 OUTPUT (output signal selection)/AUTO KNEE switch

To select the signal (color bar signal or camera's video signal) to be used as output to the viewfinder or a video monitor when the camera is used in standalone status without connecting a camera control unit.

When the camera's video signal is being used as output, the auto knee function may be used.

The relationship between the switch setting and the output signal and auto knee function is shown in the table below.

OUTPUT	AUTO KNEE	Function
BARS	OFF	Output is a color bar signal.
CAM	OFF	Output is the camera's video signal. The auto knee circuit is disabled.
CAM	ON	Output is the camera's video signal. The auto knee circuit is enabled.

#### 9 WHITE BAL (white balance memory selection) switch

To select the white balance adjustment method or the memory used to store the adjusted value when the camera is used in standalone status without connecting a camera control unit.

**PRST (preset memory):** White balance is adjusted to a preset value corresponding to a color temperature of 3200K.

**A or B:** Selects memory A or B.

#### 10 DISPLAY switch

The functions of the DISPLAY switch are as follows:

**DISPLAY:** Characters and messages showing the camera settings and operating status may be displayed on the viewfinder screen.

**OFF:** Status messages will not appear on the viewfinder screen.

**MENU:** Menus for camera settings will be displayed on the viewfinder screen.

#### 11 STATUS/CANCEL switch

**STATUS:** When no menu is displayed on the viewfinder screen, the status information of this camera is displayed.

**CANCEL:** When a menu is displayed on the viewfinder screen, you can cancel any changed settings or return the display to the previous menu.

#### 12 MENU SEL (menu select) knob/ENTER button (rotary encoder)

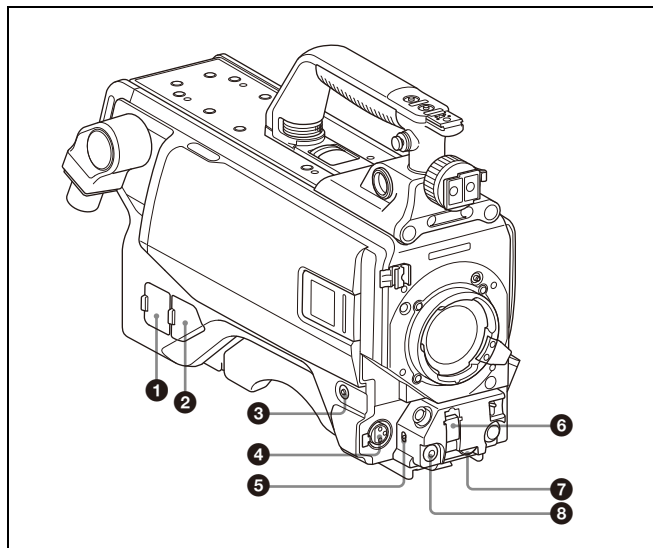
To select settings from menus displayed on the viewfinder screen (by rotating the knob) and to confirm settings (by pushing the button).

You can change the ECS frequency by pushing the ENTER button when no menu is displayed on the viewfinder screen. Make sure that the camera is used in standalone status without connecting a camera control unit, and the shutter mode is set to ECS. When the camera is used in standalone status and the shutter mode is set to other than ECS, the VF DETAIL function can be adjusted.

## Note

When a camera control unit or a remote control device, such as an MSU or RCP-series Remote Control Panel, is connected, the functions of ⑥ to ⑨ are controlled from the external control device and the controls on the camera are disabled.

## Front left



**① NETWORK TRUNK connector (RJ-45 8-pin)**  
Connects a device connected to the CCU's NETWORK TRUNK connector to the network.

**② DC power supply out connector (2-pin)**  
Supplies power to an external device up to 2.5 A.

**③ RET 1 (return video 1) button**  
The return video 1 signal from the camera control unit is monitored on the viewfinder screen while this button is pressed. Its function is the same as the RET 1 button on the handle (page 9) and RET/ASSIGNABLE button A on the operation panel on the rear of the camera (page 11 or 12). You can also assign other functions to this button, using the menu displayed on the viewfinder screen.

**④ MIC 1 IN (microphone 1 input) connector (XLR 3-pin)**  
Connect a microphone.  
This connector and the AUDIO IN CH-1 connector (page 13) on the operation panel on the rear of the camera are alternately activated with the CH1 audio input select switch (page 13).

**⑤ MIC (microphone) power switch**  
**+48V:** To supply power at +48 V to the connected microphone.  
**OFF:** Not to supply power to the connected microphone.

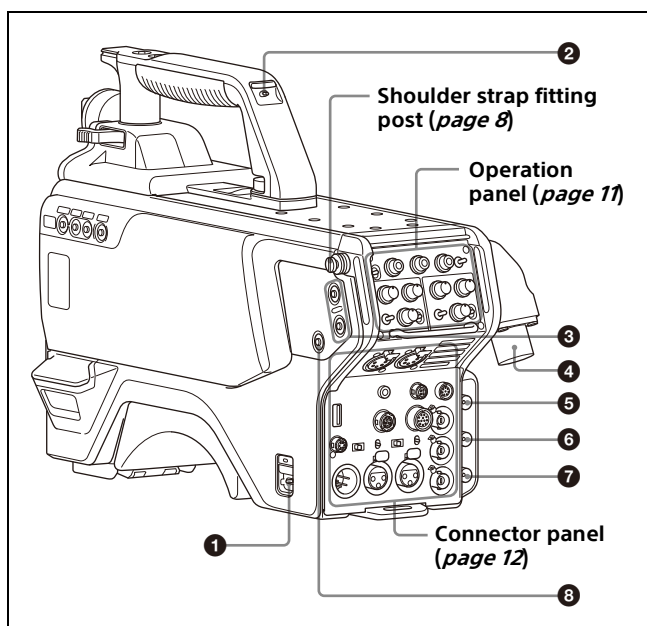
**⑥ SHUTTER switch**  
For setting the electronic shutter functions when the camera is used in standalone status without connecting a camera control unit.  
**OFF:** The electronic shutter does not function.  
**ON:** The electronic shutter is activated.  
**SEL:** The shutter speed and shutter mode change each time the switch is set to this position.

For details, see "Setting the Electronic Shutter" on page 22.

**⑦ INTERCOM LEVEL control**  
To adjust the intercom/earphone volume level.  
The intercom level adjustment is enabled when the INTERCOM 1 and 2 LEVEL/MIC switches (on the UCJ model operation panel, page 11) are set to "FRONT" or the LEVEL switch (on the CE model operation panel, page 12) on the rear of the camera is set to "FRT."

**⑧ RET 2 (return video 2) button**  
When this button is pressed, the picture on the viewfinder screen changes to the return video signal selected using RET/ASSIGNABLE button A, B, or C on the operation panel on the rear of the camera or using the menu.  
You can also assign other functions to this button, using the menu displayed on the viewfinder screen.

## Rear



**① CAMERA POWER switch**  
**CCU:** Power is supplied from the camera control unit.  
**EXT:** Power is supplied through the DC IN connector.

**② Tally lamp and switch**  
**ON:** The tally lamp lights when a tally signal is input to the connected camera control unit or a call signal is generated in response to pressing of a CALL button.  
**OFF:** The tally lamp is prevented from lighting.

**③ RET 1/2 (return video 1/2) buttons**  
When pressed, the picture on the viewfinder screen changes to the return video signal selected using the operation panel on the rear of the camera or using the menu.  
You can also assign other functions to this button, using the menu displayed on the viewfinder screen.

**④ CCU (camera control unit) connector**  
Connect a camera control unit using an optical/electrical multi cable.

**⑤ SDI 1 (serial digital interface 1) connector (BNC-type)**  
**HDC5500:** For HD-SDI signal, 3G-SDI signal, 6G-SDI signal, 12G-SDI signal, and UHD PROMPTER signal output.  
**HDC3500:** For 3G-SDI, HD-SDI, or HD PROMPTER signal output.

For details on the output signals, see "Setting the Camera Outputs" (page 26).

## 6 SDI 2 (serial digital interface 2) connector (BNC-type)

**HDC5500:** For HD-SDI signal, 3G-SDI signal, 6G-SDI signal, and 12G-SDI signal output. Also for HD TRUNK signal and UHD TRUNK signal input.

**HDC3500:** For 3G-SDI and HD-SDI signal output, or HD TRUNK signal input.

During stand-alone operation, also used for inputting an HD-SDI return signal.

When RET (return) is set to 1, this is displayed in the viewfinder.

## 7 SDI 3 connector (BNC-type) (HDC5500)

For HD PROMPTER signal output.

## 7 PROMPTER2 connector (BNC-type) (HDC3500)

For prompter 2 signal output. Available only when connecting a camera control unit with a prompter 2 input connector.

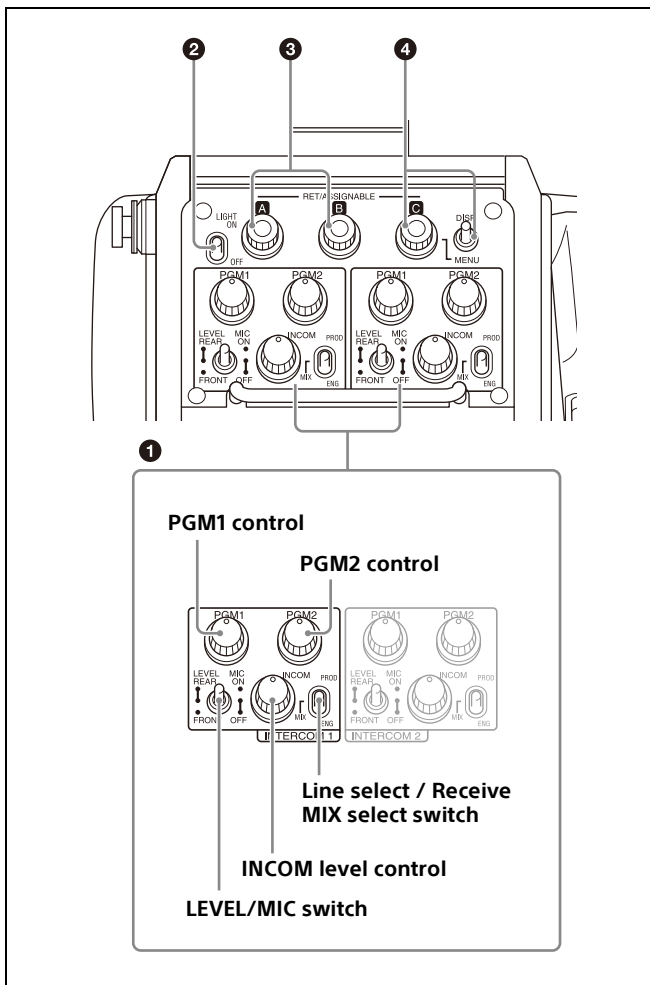
## 8 CALL button

When this button is pressed, the red tally lamp of the RCP-3000/1000 series Remote Control Panel or the MSU-1500/1000 series Master Setup Unit will light. Use to call the operator of the RCP or MSU.

You can also assign other functions to this button, using the menu displayed on the viewfinder screen.

## Operation panel

**UCJ model:** For USA, Canada, East Asia and other countries



## 1 INTERCOM 1 and INTERCOM 2 controls and switches

There are separate PGM1 and PGM2 controls, line select/receive MIX select switch, LEVEL/MIC switch, and INCOM level control for both intercom line 1 and intercom line 2.

### PGM1 (program 1) control

Adjust the audio listening level of program 1, and program 3 (when PGM3 VOLUME LINK is set to PGM1).

### PGM2 (program 2) control

Adjust the audio listening level of program 2, and program 3 (when PGM3 VOLUME LINK is set to PGM2).

### LEVEL/MIC switch

**REAR/ON:** The intercom headset microphone is turned on. The intercom audio listening level is adjusted with the INCOM level control.

**REAR/OFF:** The intercom headset microphone is turned off. The intercom audio listening level is adjusted with the INCOM level control.

**FRONT/OFF:** The intercom headset microphone is turned off. The intercom audio listening level is adjusted with the INCOM level control and the INTERCOM LEVEL control on the front of the camera (*page 10*).

### INCOM level control

Adjust the intercom audio listening level. The intercom MIX TALK (ENG or PROD), SIDE TONE, and TRACKER settings are reflected in the intercom audio.

### Line select / Receive MIX select switch

Select the intercom line.

**PROD:** Producer line

**ENG:** Engineer line

**MIX:** Receive mixed PROD/ENG audio. Select the intercom talk line from the menu. The default intercom line setting is ENG.

## 2 LIGHT switch

Set to ON to illuminate the operation panel.

## 3 RET/ASSIGNABLE button A, B

Press the button to switch the function assigned to the button on the <REAR FUNCTION ASSIGN> page on/off. When the return function is assigned, press the button to display the return video signal on the viewfinder screen while the button is pressed.

Turn the button to change the assigned function setting. When the return function is assigned, you can change the return signal channel.

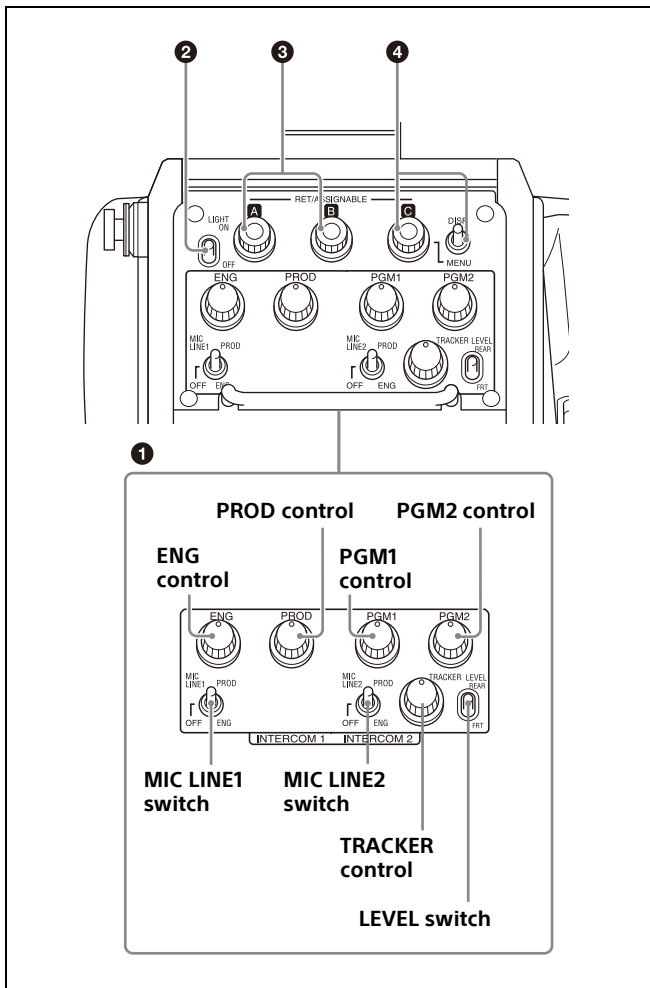
## 4 RET/ASSIGNABLE button C / DISP/MENU switch

Press the button to switch the function assigned to the button on the <REAR FUNCTION ASSIGN> page on/off. When the return function is assigned, press the button to display the return video signal on the viewfinder screen while the button is pressed.

Turn the button to change the assigned function setting. When the return function is assigned, you can change the return signal channel.

When the DISP/MENU switch is set to the MENU position to display the MENU screen, you can perform menu operations using RET/ASSIGNABLE button C.

**CE model:** For Europe and South Asia



**1 INTERCOM 1 and INTERCOM 2 controls and switches**  
The reception level controls are common to intercom 1 and intercom 2. The talk lines can be set independently for intercom 1 and intercom 2.

**ENG (engineer line) control**  
Adjust the intercom audio listening level of the engineer line.

**PROD (producer line) control**  
Adjust the intercom audio listening level of the producer line.

**PGM1 (program 1) control**  
Adjust the audio listening level of program 1, and program 3 (when PGM3 VOLUME LINK is set to PGM1).

**PGM2 (program 2) control**  
Adjust the audio listening level of program 2, and program 3 (when PGM3 VOLUME LINK is set to PGM2).

**MIC LINE1 (intercom microphone line 1) switch**  
Select the talk line for intercom 1.  
**PROD:** To talk over the producer line  
**OFF:** To turn off the headset microphone for intercom line 1.  
**ENG:** To talk over the engineer line

**MIC LINE2 (intercom microphone line 2) switch**  
Select the talk line for intercom 2.  
**PROD:** To talk over the producer line  
**OFF:** To turn off the headset microphone for intercom line 2.  
**ENG:** To talk over the engineer line

**TRACKER control**  
Adjust the intercom audio listening level at the TRACKER connector (page 13) on the connector panel when using the connector for intercom.

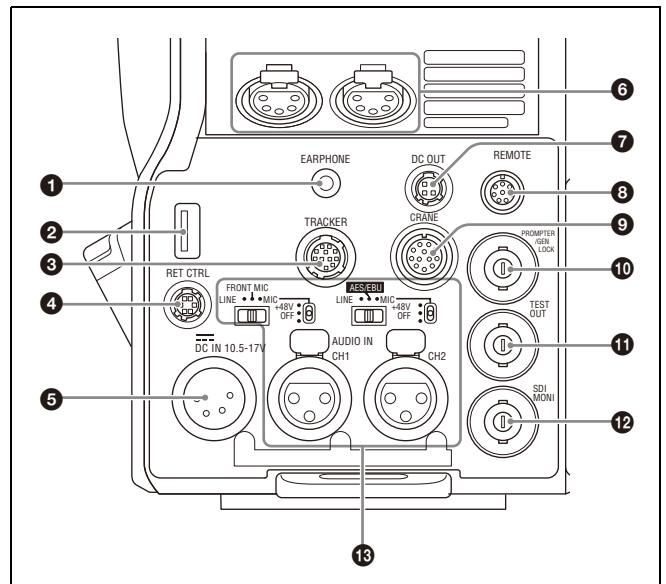
**LEVEL switch**  
**REAR:** The intercom audio listening level is adjusted with the controls on this panel.  
**FRT:** The intercom audio listening level is adjusted with the INTERCOM LEVEL control on the front of the camera.

**2 LIGHT switch**  
Set to ON to illuminate the operation panel.

**3 RET/ASSIGNABLE button A, B**  
Press the button to switch the function assigned to the button on the <ROTARY ENCODER ASSIGN> page on/off. When the return function is assigned, press the button to display the return video signal on the viewfinder screen while the button is pressed. Turn the button to change the assigned function setting. When the return function is assigned, you can change the return signal channel.

**4 RET/ASSIGNABLE button C / DISP/MENU switch**  
Press the button to switch the function assigned to the button on the <ROTARY ENCODER ASSIGN> page on/off. When the return function is assigned, press the button to display the return video signal on the viewfinder screen while the button is pressed. Turn the button to change the assigned function setting. When the return function is assigned, you can change the return signal channel. When the DISP/MENU switch is set to the MENU position to display the MENU screen, you can perform menu operations using RET/ASSIGNABLE button C.

**Connector panel**



**1 EARPHONE jack (4-pole mini jack)**  
Connect to a headset, or earphones with microphone (3-pole/4-pole earphones), to input/output the intercom audio signal.  
For 4-pole earphones, the intercom line is linked to the OPERATION LINK setting on the <EARPHONE> page in the OPERATION menu.

Turn the microphone function on/off using HEADSET MIC (page 49) in the OPERATION menu. The default setting is OFF.

**2 USB connector (for connecting a USB drive)**

Connect a USB drive to save or load the settings data file.

For details, see "Using a USB drive" (page 96).

**3 TRACKER connector (12-pin)**

For external interface, such as intercom and tally.

**4 RET CTRL (return control) connector (6-pin)**

For connection to a CAC-6 Return Video Selector.

**5 DC IN (DC power supply input) connector (XLR 4-pin)**

Used for connection to the AC-DN10A AC Adaptor to supply power to the camera.

**6 INTERCOM1 and 2 (intercom 1 and 2) connectors (XLR 5-pin)**

Used for input and output of intercom audio signals if an XLR 5-pin headset is connected.

The INTERCOM 1 connector can be used for communication over the engineer line even when the power is off, as long as the power LED is lit in red.

**7 DC OUT (DC power supply output) connector (4-pin)**

To supply power to devices such as a wireless receiver (optional) (max. 0.5 A).

**8 REMOTE connector (8-pin)**

For connection to an RCP-3000/1000 series Remote Control Panel, or MSU-1000/1500 Master Setup Unit.

**Note**

When the camera is connected to a CCU, do not connect any remote control device, such as RCP and MSU, to this connector.

**9 CRANE connector (12-pin)**

For external interface, such as viewfinder and external data.

**10 PROMPTER/GENLOCK (prompter 1 signal output/ external gen-lock signal input) connector (BNC-type)**

The PROMPTER OUT function is enabled when a camera control unit is connected. The GENLOCK IN function is enabled when a camera control unit is not connected.

**GENLOCK IN:** For input of an external gen-lock signal (VBS or 3-level sync) during stand-alone operation.

**PROMPTER:** For output of the prompter 1 signal (valid only when a camera control unit is connected). When a camera control unit having two prompter inputs is connected, the signal of input 1 is output from this connector.

**11 TEST OUT connector (BNC-type)**

To output the analog signal.

This can also output a VBS signal, HD-SYNC signal, or SD-SYNC signal, whichever is selected in the menu.

For details on the output signals, see "Setting the Camera Outputs" (page 26).

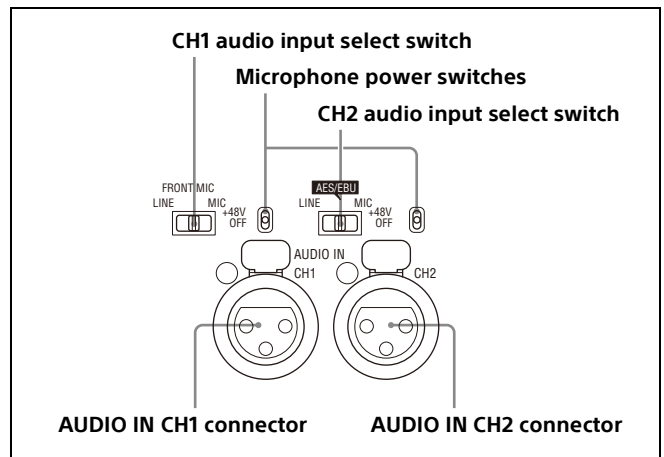
**12 SDI MONI (serial digital interface) connector (BNC-type)**

For HD-SDI or SD-SDI signal output.

For details on the output signals, see "Setting the Camera Outputs" (page 26).

**13 AUDIO IN CH1 and CH2 connectors (XLR 3-pin) and switches**

Connect audio signals. An input select switch and microphone power switch are provided for each channel.



**CH1 audio input select switch**

Set to the appropriate position according to the equipment connected to the AUDIO IN CH1 connector.

**LINE:** When a line-level (0 dBu) signal source is connected

**FRONT MIC:** When using the microphone connected to the MIC 1 IN connector

**MIC:** When an external microphone is connected

**CH2 audio input select switch**

Set to the appropriate position according to the equipment connected to the AUDIO IN CH2 connector.

**LINE:** When a line-level (0 dBu) signal source is connected

**AES/EBU:** When a digital audio signal is connected (The signal must be in synchronization with the camera output).

**MIC:** When an external microphone is connected

**Microphone power switches**

When a microphone is connected to the corresponding AUDIO IN connector, set whether or not to supply power to the microphone.

**+48V:** To supply power at +48 V

**OFF:** Not to supply power

(No function has been assigned to the lowermost position. No power is supplied to the microphone.)

**Note**

To supply +12 V power, contact a Sony sales representative or Sony service representative.

**Transmission Adaptor Options**

**Note**

For safety, only a qualified technician with service training should perform tasks inside the unit.

For details about installation, contact a Sony service or sales representative.

**HKC-FB50 UHB Fiber Transmission Adaptor**

The name and function of the connectors used are described below.

**NETWORK TRUNK connector (RJ-45 8-pin)** (see item ❶ of front left side (page 10)): Connects a device connected to the CCU's NETWORK TRUNK connector to the network.

**CCU (camera control unit) connector** (see item ❷ of rear side (page 10)): Connect a CCU using an optical/electrical multi cable.

**SDI 1 (serial digital interface 1) connector (BNC-type)** (see item ❸ of rear side (page 10)): For HD-SDI signal, 3G-SDI signal, 6G-SDI signal, 12G-SDI signal, and UHD PROMPTER signal output.

**SDI 2 (serial digital interface 2) connector (BNC-type)** (see item ❹ of rear side (page 10)): For HD-SDI signal, 3G-SDI signal, 6G-SDI signal, and 12G SDI signal output, or HD TRUNK and UHD TRUNK signal input.

During standalone operation, input the HD-SDI return signal.

When RET (return) is set to 1, the return signal is displayed in the viewfinder.

**SDI 3 (serial digital interface 3) connector (BNC-type)** (see item ❺ of rear side (page 10)): For HD prompter signal output.

### HKC-FB30 Fiber Transmission Adaptor

The name and function of the connectors used are described below.

**NETWORK TRUNK connector (RJ-45 8-pin)** (see item ❶ of front left side (page 10)): Connects a device connected to the CCU's NETWORK TRUNK connector to the network.

**CCU (camera control unit) connector** (see item ❷ of rear side (page 10)): Connect a CCU using an optical/electrical multi cable.

**SDI 1 (serial digital interface 1) connector (BNC-type)** (see item ❸ of rear side (page 10)): For 3G-SDI signal, HD-SDI signal, or HD PROMPTER signal output.

**SDI 2 (serial digital interface 2) connector (BNC-type)** (see item ❹ of rear side (page 10)): For 3G-SDI signal, HD-SDI signal, or HD TRUNK signal input.

During standalone operation, input the HD-SDI return signal.

When RET (return) is set to 1, the return signal is displayed in the viewfinder.

**PROMPTER2 (prompter 2) connector (BNC-type)**: For prompter 2 signal output. Available only when connecting a camera control unit with a prompter 2 input connector.

### HKC-TR37 Triax Transmission Adaptor

The name and function of the connectors used are described below.

**CCU (camera control unit) connector** (see item ❷ of rear side (page 10)): Connect a CCU using a triax cable.

**SDI 1 (serial digital interface 1) connector (BNC-type)** (see item ❸ of rear side (page 10)): For 3G-SDI signal or HD-SDI signal output.

### HKC-WL50 Wireless Transmission Adaptor

Connects video signals and control signals to a third-party wireless module to support wireless transmission.

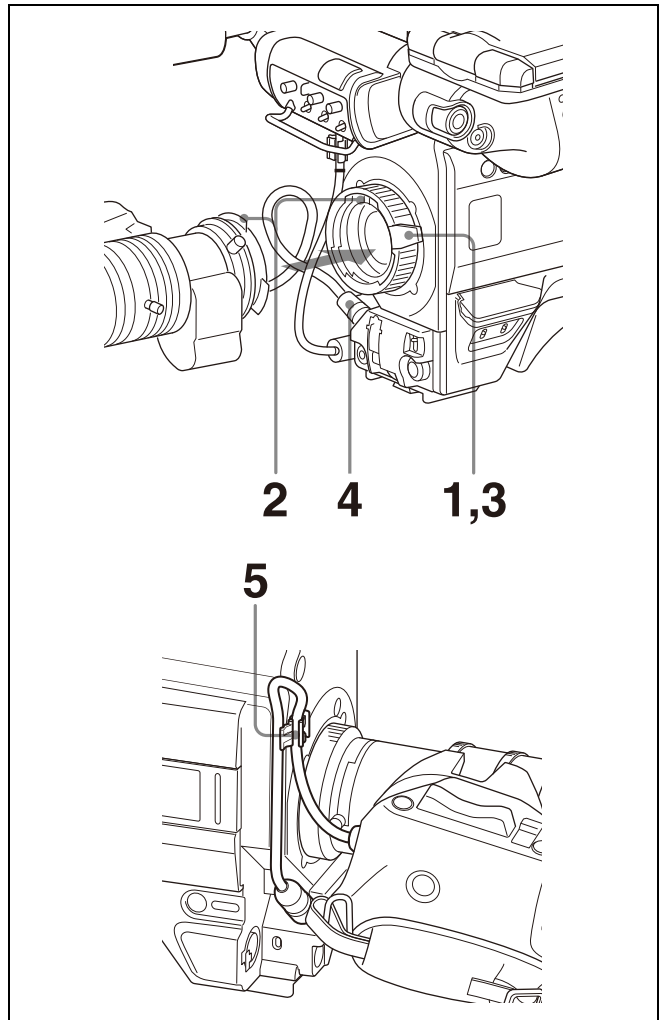
For details about supported wireless modules, contact your Sony sales representative.

## Preparations

### Attaching a Lens

*For information on handling lenses, refer to the lens' operation manual.*

#### Attaching procedure



- 1 Push the lens fixing lever upwards and remove the lens mount cap from the lens mount.
- 2 Align the lens' alignment pin with the notch in the upper part of the lens mount and insert the lens into the mount.
- 3 While supporting the lens, push the lens fixing lever downwards to secure the lens.
- 4 Connect the lens cable to the LENS connector.
- 5 Secure the lens cable with the cable clamp.

## Adjusting the Flange Focal Length

Adjustment of the flange focal length (the distance between the lens mount attachment plane and the imaging plane) is necessary in the following situations:

- The first time a lens is attached
- When changing lenses
- If the focus is not sharp at both telephoto and wide angle when zooming

The flange focal length can be more precisely adjusted by using the focus assist indicators.

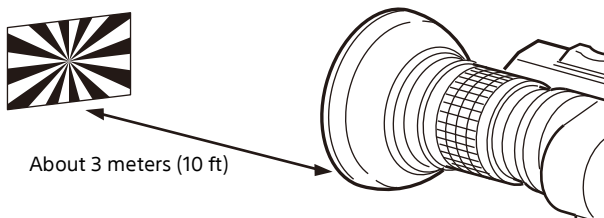
See "Displaying the focus assist indicators" on page 23 for the focus assist indicators.

### Note

The various parts of the lens used in adjusting the flange focal length are in different positions on different lenses. Refer to the operation manual for the particular lens.

### Adjusting procedure

- 1 Set the iris control to manual, and open the iris fully.
- 2 Place a flange focal length adjustment chart approximately 3 meters from the camera and adjust the lighting to get an appropriate video output level.
- 3 Loosen the Ff (flange focal length) ring lock screw.
- 4 With either manual or power zoom, set the zoom ring to telephoto.
- 5 Aim at the flange focal length adjustment chart and turn the focus ring to focus the image.



- 6 Set the zoom ring to wide angle.
- 7 Turn the Ff ring to bring the chart into focus. Take care not to move the distance ring.
- 8 Repeat steps 4 through 7 until the image is in focus at both telephoto and wide angle.
- 9 Tighten the Ff ring lock screw.

## Attaching an Eyepiece Viewfinder

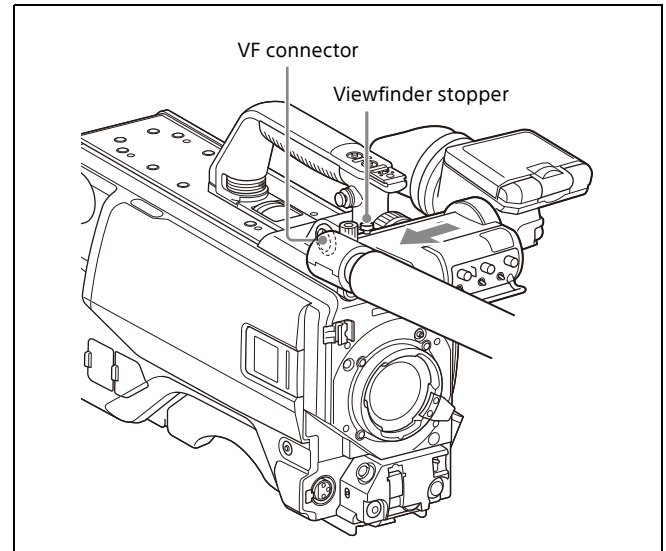
### Warning

When the viewfinder is attached, do not leave the camera with the eyepiece facing the sun. Direct sunlight can enter through the eyepiece, be focused in the viewfinder and cause fire.

## Attaching a viewfinder

This section describes using a HDVF-20A/200/EL20/EL30 (the HDVF-EL30 is shown in the diagrams).

For details about the viewfinder, refer to the operation manual of the viewfinder.

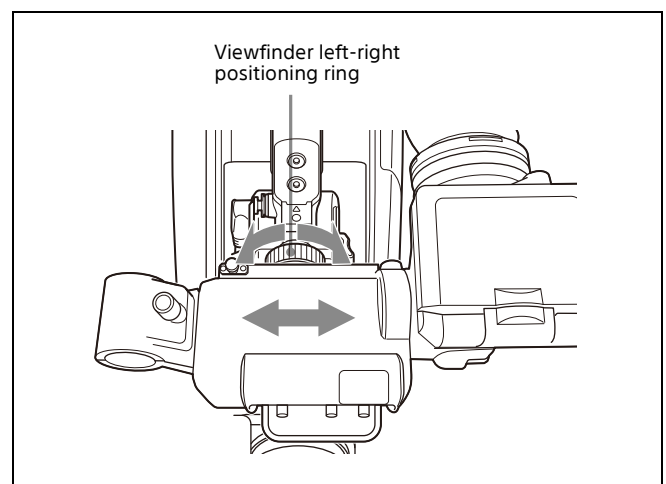


- 1 Slide the viewfinder in the direction of the arrow. The viewfinder stopper automatically pops down.
- 2 Set the viewfinder left-right position, then tighten the left-right positioning ring (see "To adjust the position to the left or right" below).
- 3 Connect the viewfinder cable to the VF connector of the camera.

### Adjusting the viewfinder position

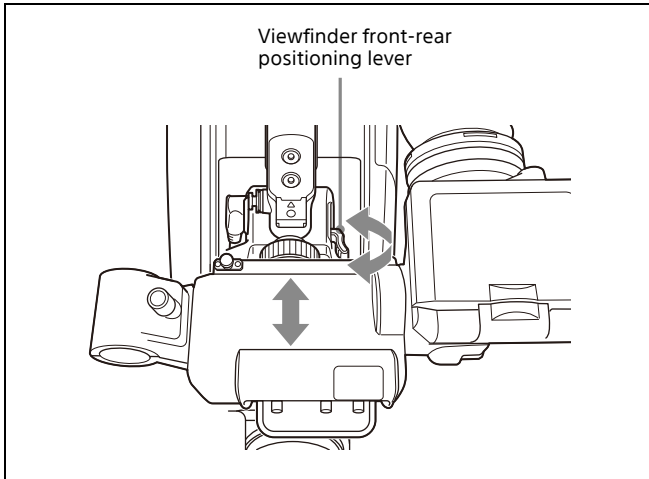
The viewfinder position may be adjusted towards the front and rear and to the left and right to make it easier to view.

#### To adjust the position to the left or right



- 1 Loosen the viewfinder left-right positioning ring.
- 2 Slide the viewfinder left or right to move it into a good viewing position.
- 3 Tighten the viewfinder left-right positioning ring.

## To adjust the position forward or backward



- 1** Set the viewfinder front-rear positioning lever to the unlocked position.
- 2** Slide the viewfinder towards the front or rear of the camera to move it into a good viewing position.
- 3** Set the viewfinder front-rear positioning lever to the lock position to secure the viewfinder.

## Detaching the viewfinder

Loosen the viewfinder left-right positioning ring, pull the viewfinder stopper, then pull out the viewfinder by sliding it in the direction opposite to that when attached.

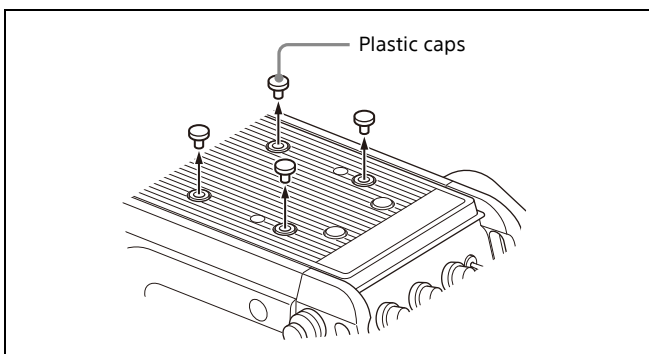
## Attaching an Electronic Viewfinder

Attach the V-wedge shoe attachment (supplied with the viewfinder) to the camera and attach the viewfinder to the attachment.

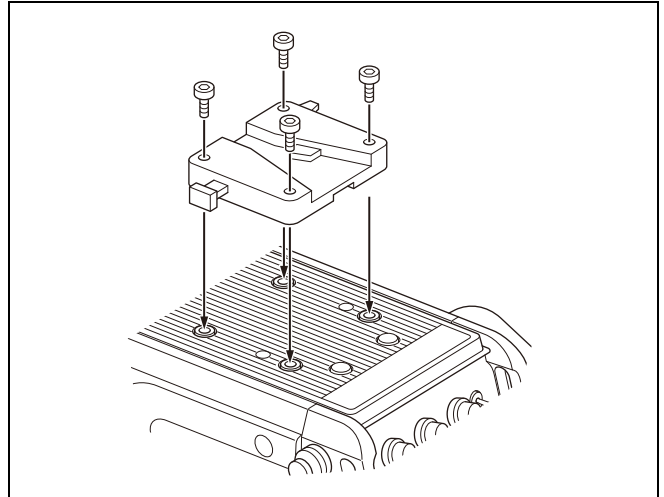
### Notes

- When attaching the viewfinder to the camera or removing it from the camera, be sure to lock the viewfinder in its standard position.
- When removing the viewfinder from the camera, be sure to secure the tripod with its tilt-lock mechanism and hold the viewfinder firmly. Be careful not to fall or drop the viewfinder and camera.
- When attaching the V-wedge shoe attachment, be sure to use the supplied hexagonal screws.

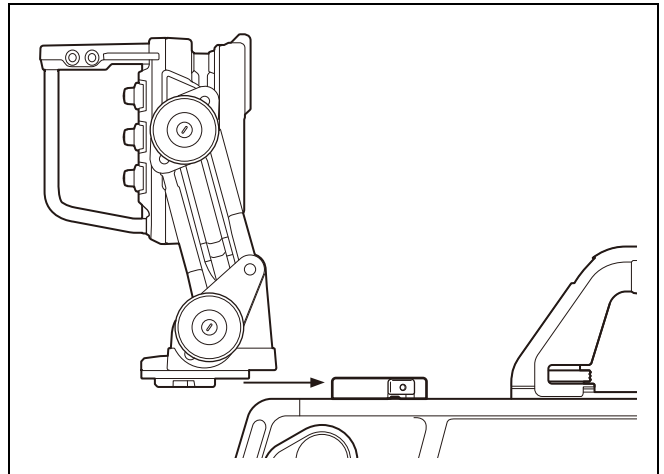
- 1** Remove the four plastic caps from the camera.



- 2** Attach the V-wedge shoe attachment to the camera using the supplied hexagonal wrench and four hexagonal screws (4×12).



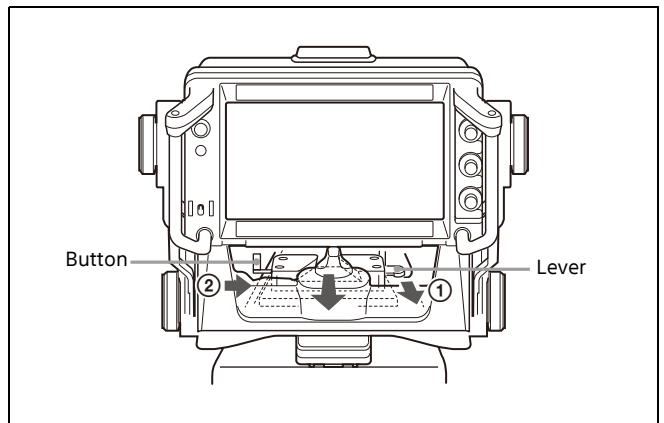
- 3** Insert the viewfinder firmly into the V-wedge shoe attachment. There is an audible click when the viewfinder snaps into the attachment.



- 4** Connect the camera connector of the viewfinder to the VF connector of the camera.

## Detaching the viewfinder

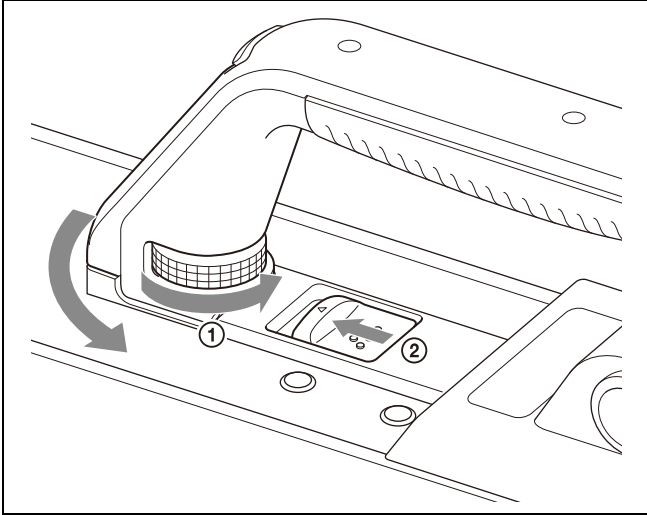
Pull the lever and push down the button while pulling the viewfinder toward you, as shown in the figure below.



## If the tilt/pan angle available for the viewfinder is restricted

You can alleviate interference by rotating the camera handle.

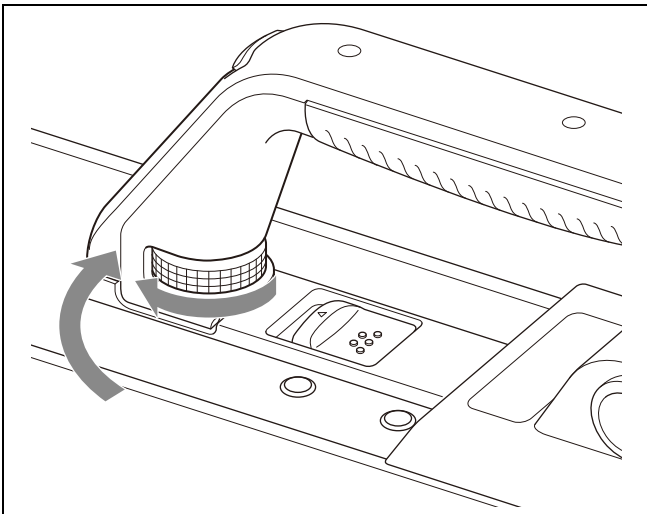
- 1 Loosen the handle rotation lock knob ① of the camera until it turns freely, then push the handle rotation release lever ② to unlock the grip.



- 2 Rotate the handle toward the front of the camera.

## To stow the handle of the camera in the original position

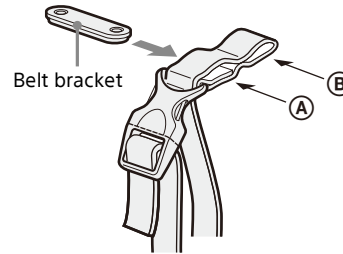
Return the handle to the lock position, and securely tighten the handle rotation lock knob.



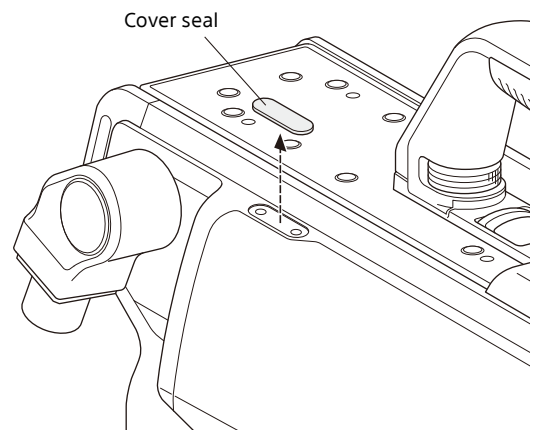
## Attaching the Cable Clamp Belt (Supplied)

You can secure the optical/electrical multi cable or triax cable, connected to the CCU connector, to the side of the camera by attaching the supplied cable clamp belt.

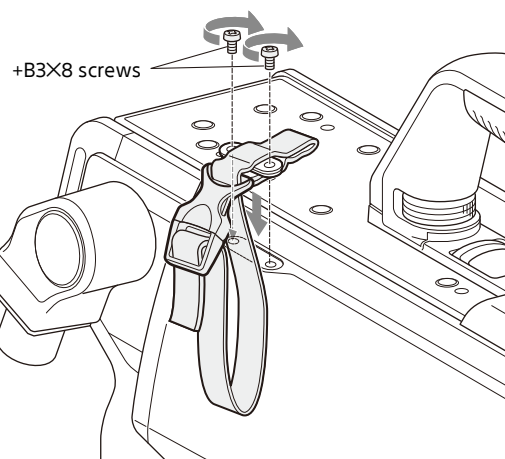
- 1 Insert the belt bracket into hole A or B of the cable clamp belt.



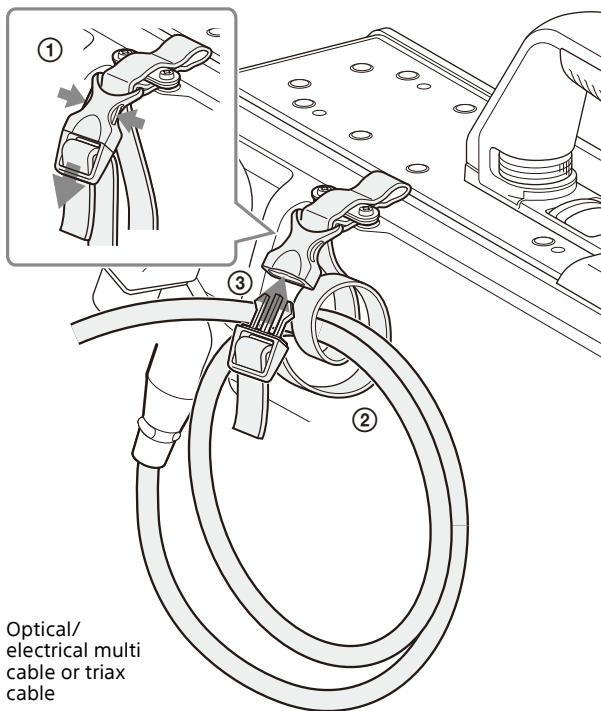
- 2 Peel off the cover seal from the camera as shown in the following diagram.



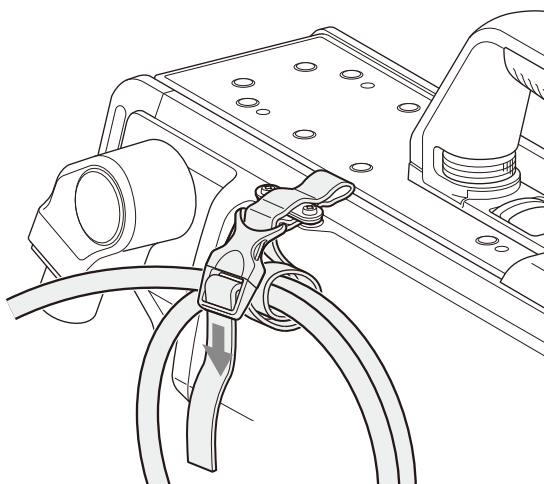
- 3 Secure the cable clamp belt to the camera, using the two supplied +B3X8 screws.



- 4** ① Release the buckle, ② bundle the cable with the belt, ③ then lock the buckle again.



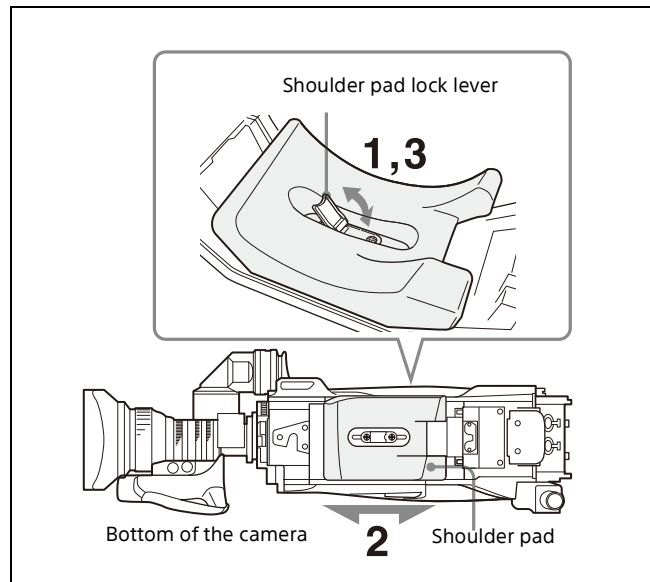
- 5** Adjust the length by pulling down the end of the belt.



## Adjusting the Shoulder Pad Position

You can shift the shoulder pad from its center position (factory setting) backward by up to 10 mm (3/8 inch) or forward by up to 25 mm (1 inch). This adjustment helps you get the best balance for shooting with the camera on your shoulder.

### Adjusting procedure



- 1** Raise the lever in the center of the shoulder pad to unlock the shoulder pad.
- 2** Slide the shoulder pad backward or forward until it is in the most convenient position.
- 3** Move the lever down to lock the shoulder pad in the selected position.

## Mounting the Camera to a Tripod

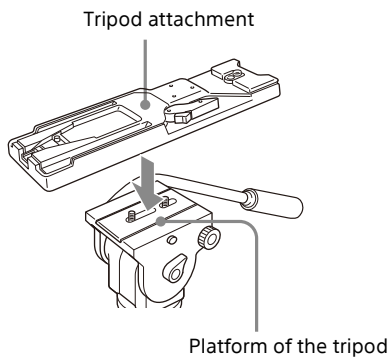
Mount the camera to a tripod using a VCT-14 Tripod Attachment.

### Notes

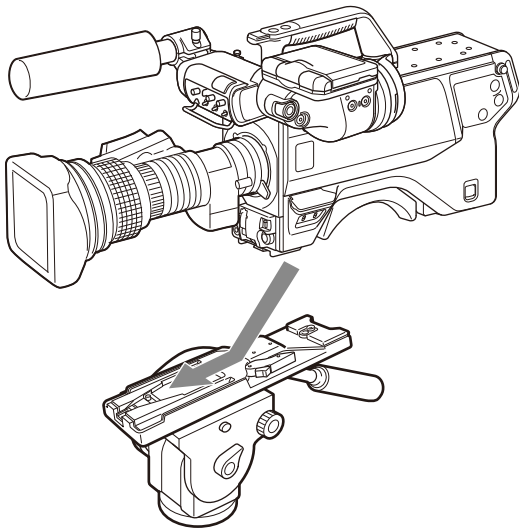
- Select an appropriate hole from among those at the bottom of the tripod attachment considering the balance of the weight of the camera and the tripod attachment. If an inappropriate hole is selected, the camera may fall over.
- Check that the size of the selected hole matches that of the screw of the tripod. If they do not match, the tripod attachment cannot be attached to the tripod securely.

## Mounting procedure

- 1 Attach the tripod attachment to the tripod and secure it with the screw.**



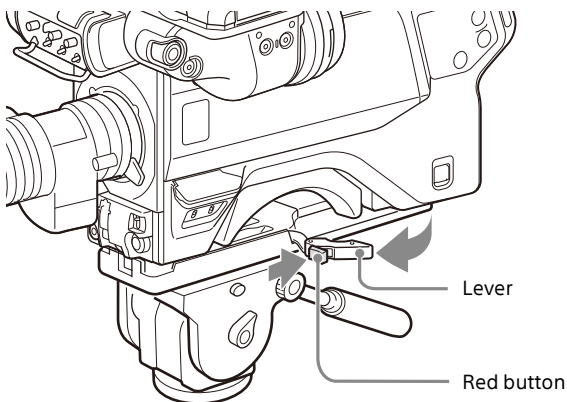
- 2 Place the camera on the tripod attachment, and slide forward it along the groove of the tripod attachment until it clicks.**



- 3 Make sure that the camera is securely attached by moving it back and forth.**

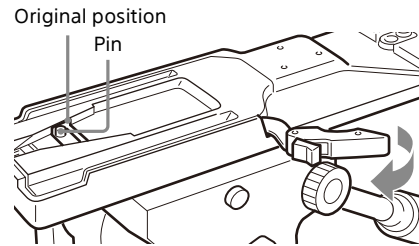
### To remove the camera from the tripod attachment

Hold down the red button and pull the lever in the direction of the arrow.



### If the pin of the tripod attachment does not return to its original position

After removing the camera, if the pin of the tripod attachment does not return to its original position, hold down the red button and move the lever in the direction of the arrow to return the pin to its original position. It is not possible to mount a camera with the pin not seated.



# Adjustments and Settings for Shooting

## Adjusting the Black Balance and White Balance

In order to maintain high picture quality, it is necessary to set the black balance and white balance appropriately for the conditions.

### Note

When a camera control unit or a remote control device—such as the MSU or RCP series—is connected, control is performed from the RCP/MSU, and the switches on the camera are disabled.

### Black balance adjustment

The black balance needs adjustment in situations like the following:

- The first time the camera is used
  - When the camera is used after a long period of disuse
  - When the surrounding temperature changes greatly
  - When the gain value is changed using the setup menus
- Normally, there is no need to adjust the black balance every time the camera is turned on.

### White balance adjustment

Always readjust the white balance when lighting conditions change.

### About the viewfinder screen

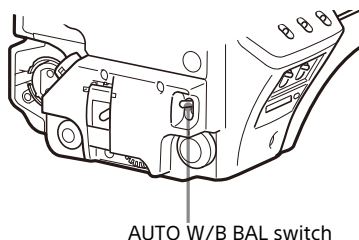
After the process of adjusting the black balance or white balance begins, messages about the progress and results of the adjustment will be displayed on the viewfinder screen.

### Note

Adjusted values set through automatic adjustment, and other settings, are stored in the camera's memory and preserved even when the camera power is turned off.

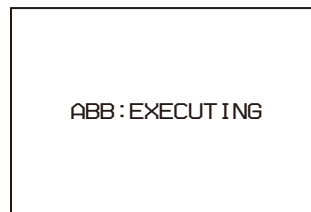
### Adjusting the black balance

Push the AUTO W/B BAL switch toward BLK (downward).



Automatic adjustment of black balance begins. In automatic adjustment of black balance, both the black set and black balance are adjusted.

During adjustment, a message like the one in the figure below will be displayed on the viewfinder screen.



When the adjustment process is completed, the message "ABB: OK" will be displayed. The adjusted value is automatically stored in memory.

### Notes

- During black balance adjustment, the iris will be automatically closed.
- During black balance adjustment, the gain switching circuit will work automatically, and the viewfinder screen will flicker several times. This is not a malfunction.

### When automatic black balance adjustment fails

If the automatic black balance adjustment process does not end successfully, the error message "ABB: NG" will be displayed on the viewfinder screen for approximately three seconds.

If this error message is displayed, try black balance adjustment again.

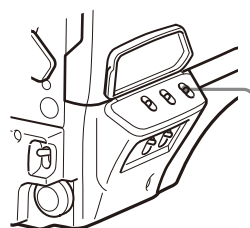
If the error message continues to be displayed after several attempts, the camera requires internal inspection.

### About black balance memory

The black balance values stored in memory will be preserved even when the camera power is turned off.

### Adjusting the white balance

- 1 Set the WHITE BAL switch to A or B.



- 2 Select the filter setting according to the lighting conditions.

#### To select the ND filter

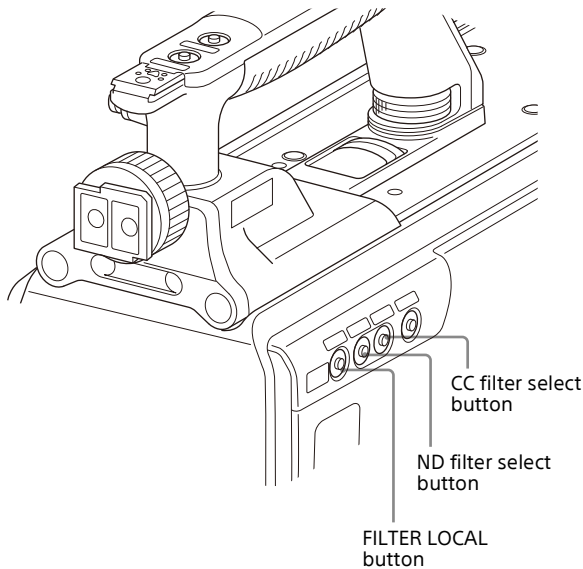
Press the ND filter select button while holding the FILTER LOCAL button depressed.

Each press of the select button switches the available ND filters (CLEAR, 1/4ND, 1/8ND, 1/16ND, 1/64ND) in sequence.

#### To select the CC filter

Press the CC filter select button while holding the FILTER LOCAL button depressed.

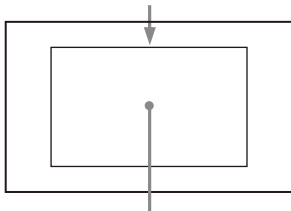
Each press of the select button switches the available CC filters (cross, 3200K, 4300K, 6300K) in sequence.



ND filter		Color temperature conversion filter	
1	CLEAR	A	cross filter
2	1/4 ND	B	3200K (clear)
3	1/8 ND	C	4300K
4	1/16 ND	D	6300K
5	1/64 ND		

**3 Place a white pattern in the same lighting conditions as the subject, and zoom in on it so that a white area is obtained in the screen to satisfy the positional and quantitative requirements illustrated below.** A white object (white cloth, a white wall, etc.) near the subject may be used in place of a white pattern.

A rectangle centered in the screen. The length of the sides must be at least 70% of the height and width of the screen.



Within this rectangle, there must be an area of white greater than 10% of the entire screen.

**Note**

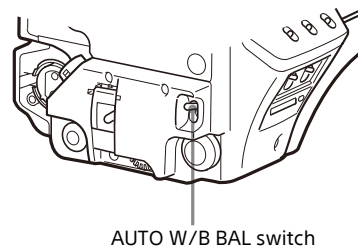
Be careful not to have any spots of high illumination in the rectangle.

**4 Adjust the lens iris opening.**

**With a manually adjusted lens:** Set the opening to an appropriate value.

**With a lens which has automatic iris control:** Set the lens' automatic/manual iris control switch to automatic.

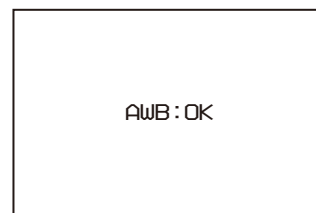
**5 Push the AUTO W/B BAL switch to WHT (up).**



White balance automatic adjustment begins.

During adjustment, the message "AWB: EXECUTING" will be displayed on the viewfinder screen.

A message like the one in the figure below will be displayed, and the adjustment process will complete. The adjusted value will be automatically stored in the memory (A or B) selected in step 1.



**Note**

When using a zoom lens with automatic iris control capability, hunting<sup>1)</sup> may occur. Adjust the lens' iris gain control (labeled IG, IS, S, etc.).

<sup>1)</sup> Hunting: The automatic iris responds over and over, and the image repeatedly darkens and lightens.

For more information, refer to the lens' operation manual.

**When automatic white balance adjustment fails**

If the white balance adjustment process does not end successfully, the error message "AWB: NG" will be displayed on the viewfinder screen for approximately three seconds.

If this error message is displayed, try white balance adjustment again.

If the error message continues to be displayed after several attempts, the camera requires internal inspection.

**When there is no time to adjust the white balance**

Set the WHITE BAL switch to PRST. The white balance will be set automatically according to the filter settings.

**About white balance memory**

The white balance values stored in memory will be preserved even when the camera power is turned off. There are two white balance memories, A and B. When the AUTO W/B BAL switch is pushed to the WHT side, the white balance will be adjusted automatically according to the filter settings. The adjusted value will be stored in the selected memory. Each memory can store up to five adjusted values, for a total of 10.

## Setting the Electronic Shutter

This section explains the different modes which can be used for the electronic shutter and gives the procedures for setting the shutter mode and shutter speed.

### Note

When a camera control unit or a remote control device, such as MSU-1000/1500 Master Setup Unit and RCP-1500/1000 series Remote Control Panel, is connected, the electronic shutter is controlled from the external control device and control on the camera are disabled.

### About the shutter modes

The shutter modes that can be used with the electronic shutter of the camera and the shutter speeds that may be selected are as follows:

Shutter modes and speeds

Shutter mode	Shutter speeds*	Usage
Standard	1/100, 1/125, 1/250, 1/500, 1/1000, 1/2000 seconds	Use to obtain clear images of quickly moving subjects
ECS (Extended Clear Scan)	Continuously variable in the range of 59.96 Hz to 4300 Hz	Use to obtain images on video monitors without horizontal striping

\* The values in the table are those with 59.94i. With other formats, the available values are different.

### Note

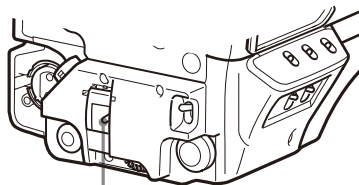
With artificial lighting, particularly fluorescent lights and mercury vapor lamps, the brightness appears to be constant, but in fact the strength of the red, green, and blue components varies with the power supply frequency. This phenomenon is known as "flicker." When using the electronic shutter under these lighting conditions, there are certain cases in which the flicker is more noticeable. In particular, color flicker is evident when the power frequency is 60 Hz. In areas where the power frequency is 50 Hz, setting the shutter speed to 1/100 second will reduce the flicker.

### Selecting the shutter mode and speed

The shutter mode, and the shutter speed in standard mode, are set using the SHUTTER switch.

### Setting the shutter mode, and shutter speed in Standard mode

- 1 Push the SHUTTER switch from the ON position to the SEL position.

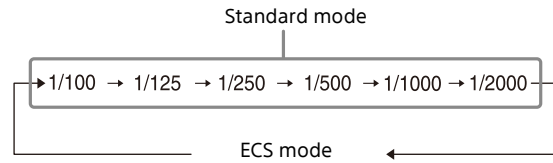


SHUTTER switch

The current shutter setting will be displayed in the setting change/adjustment process message display area of the viewfinder screen for about three seconds. Example: "SHUTTER: 1/250"

- 2 Push the SHUTTER switch to the SEL position again before the display disappears. Repeat this action until the desired mode or speed is displayed. When all modes and speeds are displayed, they will be displayed in the following order:

Example: with 59.94i



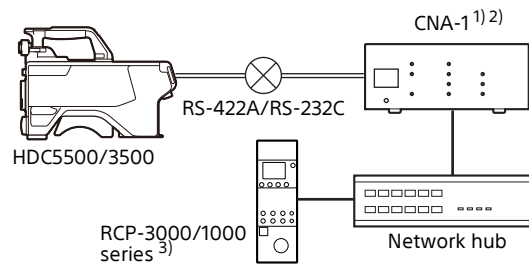
## Setting the Transport Conversion Function

This function converts the communications protocol from the camera network system protocol to the simple protocol internally in the HDC5500/3500.

Using the simple protocol for communication between the HDC5500/3500 and CNA-1 (RS-422A/RS-232C) enables camera control using transmission lines or networks that do not support the camera network system protocol or which have high latency, such as wireless networks.

You can toggle this function on/off on the <SIMPLE PROTOCOL> page (page 63).

For details about configuring the CNA-1, refer to the operation manual of the CNA-1.



- 1) Connect the RS-422A/RS-232C cable to the I/O connector of the CNA-1.
- 2) Set CNS Mode to Bridge, and Emulation Mode to CAM.
- 3) Set CNS Mode to Bridge.

### Transmission lines/networks that support the simple protocol

Transmission lines/networks that meet the following conditions are supported.

- Latency: 1 second or lower (one way)
- Bandwidth: 100 kbps or higher

### Connectors used for simple protocol communication

Use one of the following connectors on the HDC5500/3500.

- REMOTE connector on the connector panel (supports RS-422A only)
- CRANE connector on the connector panel (supports RS-422A/RS-232C)
- I/O connector on the HKC-WL50 Wireless Transmission Adaptor (option) (supports RS-422A/RS-232C)

Change the PORT setting on the <SIMPLE PROTOCOL> page for the connector that is used (page 63).

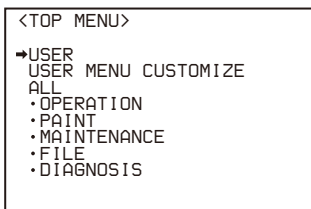
## Setting the Focus Assist Functions

Using the OPERATION menu, the assist functions for easier focusing on the viewfinder, can be activated.

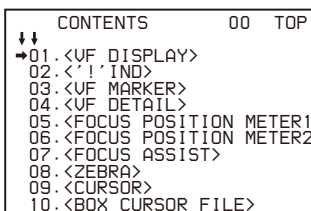
### Adding the VF detail signal

Adding the VF detail signal to sharp edges in the image on the viewfinder screen makes it easier to check the focusing condition by observing changes in the detail signal or in the color converted from the detail signal (color detail). The focus setting where the detail signal becomes strongest is the best focus setting.

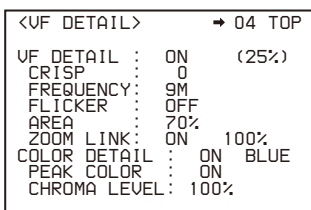
- 1 Turn on the camera.**
- 2 Set the DISPLAY switch to MENU while holding the MENU SEL knob/ENTER button pressed.**  
The camera enters Menu mode, and "TOP" is displayed at the upper right corner of the screen.
- 3 Rotate the MENU SEL knob/ENTER button to align the arrow marker (➡) to "TOP" and push on the MENU SEL knob/ENTER button.**  
The TOP MENU screen is displayed.



- 4 Rotate the MENU SEL knob/ENTER button to align the arrow marker (➡) to OPERATION and push on the MENU SEL knob/ENTER button.**  
The CONTENTS page of the OPERATION menu is displayed.



- 5 Rotate the MENU SEL knob/ENTER button to align the arrow marker (➡) to <VF DETAIL> and push on the MENU SEL knob/ENTER button.**  
The <VF DETAIL> page is displayed.



- 6 Rotate the MENU SEL knob/ENTER button to align the arrow marker (➡) to the item to be set and push on the MENU SEL knob/ENTER button.**

#### To use the VF detail signal

Set VF DETAIL to ON to activate the VF detail function to add the detail signal to sharp edges in the image. You

can adjust the signal level (strength) in the range of 0 to 100% (default 25%).

You can adjust the characteristics of the detail signal with the menu items below.

**CRISP:** Adjust to eliminate fine portions of the detail signal.

**FREQUENCY:** Change the detection band of sharp edges.

**FLICKER:** Turn ON/OFF the function to flicker the detail signal, which makes it easier to check the signal on a viewfinder screen.

**AREA:** To limit the area where to display the detail signal.

**ZOOM LINK:** Set the VF detail level at the full WIDE position. (The VF detail level changes according to the zoom position.)

#### To use the color detail

Set COLOR DETAIL to ON to convert the VF detail signal to a specified color. This makes it easier to check the signal on an LCD screen, including the viewfinder screen. The display color can be selected at the column next to ON.

You can adjust the coloring with the menu items below.

**PEAK COLOR:** Turn ON/OFF the function to change the color where the detail signal is strongest.

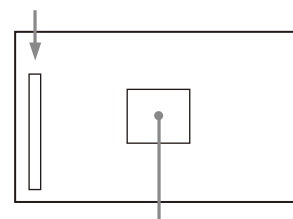
**CHROMA LEVEL:** To reduce the chroma components of the video signal (only for video signals on the viewfinder).

- 7 Rotate the MENU SEL knob/ENTER button to display the desired setting and push on the MENU SEL knob/ENTER button.**
- 8 To finish the adjustment, set the DISPLAY switch to OFF to exit Menu mode.**

### Displaying the focus assist indicators

The focus assist indicator function extracts the irregularities of a subject and converts the integrated values to a level indicator, which shows the focus condition.

Level indicator (its position and operations can be adjusted.)

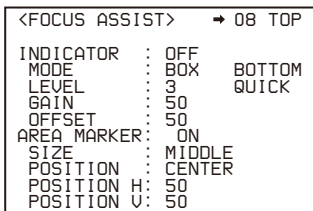


Area marker to display the detection area of the focus (its size and position can be adjusted.)

The focus setting where the indicator shows the maximum level is the best focus setting. (The range of the indicator substantially changes depending on picture elements or shooting environments. Adjust it with GAIN and OFFSET as required.)

- 1 Display the CONTENTS page of the OPERATION menu (referring to step 1 to 4 in "Adding the VF detail signal").**
- 2 Rotate the MENU SEL knob/ENTER button to align the arrow marker (➡) to <FOCUS ASSIST> and push on the MENU SEL knob/ENTER button.**

The <FOCUS ASSIST> page is displayed.



**3 Rotate the MENU SEL knob/ENTER button to align the arrow marker (➡) to the item to be set and push on the MENU SEL knob/ENTER button.**

**To use the level indicator**

Setting INDICATOR to ON displays the level indicator on the viewfinder.

You can set the display format with the menu items below.

**MODE:** Set the type and position of the indicator.

**LEVEL:** Set the density and the response speed of the indicator.

**GAIN:** Set the sensitivity of the indicator.<sup>1)</sup>

**OFFSET:** Set the offset of the focus detection value.<sup>2)</sup>

<sup>1)</sup> Normally, the sensitivity of the indicator is automatically set to the optimum value in conjunction with the AREA MARKER SIZE set value. Use this setting when an optimum sensitivity value cannot be obtained, depending on the shooting environment.

<sup>2)</sup> Normally, the optimum offset is automatically set in conjunction with the AREA MARKER SIZE and MASTER GAIN set values. Use this setting when the optimum offset cannot be obtained, depending on the shooting environment.

**To use the area marker**

Setting AREA MARKER to ON displays the detection area of the focus as a marker on the viewfinder screen. You can set the size and position of the detection area with the menu items below.

**SIZE:** The size of the detection area can be changed. (If the area size is too large, both the subject and the background are included in the area, making the indicator display may easily deviate from the subject.)

**POSITION:** Roughly set the position of the detection area.

**POSITION H:** Finely adjust the position of the detection area in the horizontal directions.

**POSITION V:** Finely adjust the position of the detection area in the vertical directions.

**4 Rotate the MENU SEL knob/ENTER button to display the desired setting and push on the MENU SEL knob/ENTER button.**

**5 To finish the adjustment, set the DISPLAY switch to OFF to exit Menu mode.**

**Notes**

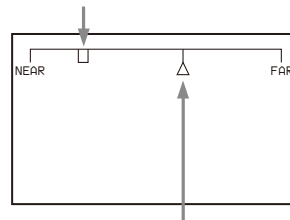
- The level indicator and the effect area marker cannot be displayed simultaneously, whichever you set to ON later is preferentially displayed.
- The area marker and the aspect safety marker cannot be displayed simultaneously, whichever you set to ON later is preferentially displayed.
- When displaying the focus assist indicators, check that the flange focal length has been precisely adjusted.

See "Adjusting the Flange Focal Length" on page 15 for the flange focal length.

## Setting the Focus Position Meter Function

The focus position meter function allows you to graphically display the registered focus position (marker) and the current focus position (index) graphically on the viewfinder screen.

Current focus position (index)



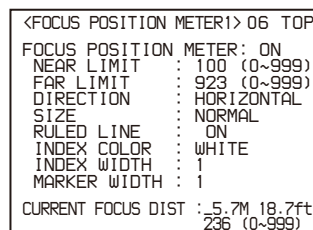
Registered focus position (marker)

You can set the focus to the registered point easily by adjusting the focus until the index position overlaps the marker position (adjusted state). In the adjusted state, you can display a color frame and marker name on the viewfinder screen.

**1 Display the CONTENTS page of the OPERATION menu (referring to steps 1 to 4 in "Adding the VF detail signal").**

**2 Turn the MENU SEL knob/ENTER button to align the arrow marker (➡) to <FOCUS POSITION METER1> or <FOCUS POSITION METER2>, and press the MENU SEL knob/ENTER button.**

The <FOCUS POSITION METER1> page or <FOCUS POSITION METER2> page is displayed.



**3 Turn the MENU SEL knob/ENTER button to align the arrow marker (➡) to the item to be set and press the MENU SEL knob/ENTER button.**

**To use the focus position meter**

Setting FOCUS POSITION METER to ON displays the focus position meter on the viewfinder screen.

You can set the display format with the <FOCUS POSITION METER1> page items below.

**NEAR LIMIT:** Sets the NEAR edge of the focus position meter.

**FAR LIMIT:** Sets the FAR edge of the focus position meter.

The focus position range to display varies depending on the NEAR LIMIT and FAR LIMIT settings. The full range is displayed by setting NEAR LIMIT to 0 and FAR LIMIT to 999.

**DIRECTION:** Selects whether to display the meter horizontally at the top of the screen or vertically on the right edge of the screen.

**SIZE:** Sets the size of the meter.

**RULED LINE:** Turns the display of guide lines on the meter on/off.

**INDEX COLOR:** Sets the color of the index.

**INDEX WIDTH:** Sets the width of the index.

**MARKER WIDTH:** Sets the width of the marker.

#### To set the adjustment sensitivity and display content

You can set the adjustment sensitivity and configure the display in the adjusted state using ADJUSTED SIGN on the <FOCUS POSITION METER2> page.

**SENSE:** Sets the adjustment sensitivity. Increasing the value increases the sensitivity (making determination of adjusted state more precise).

**NAME DISP:** Turns the display of the marker name in the adjusted state on/off (DISPLAY screen only).

**FRAME DISP:** Turns the display of a color frame (adjustment frame) on the screen in the adjusted state on/off.

**FRAME WIDTH:** Sets the width of the adjustment frame.

#### To configure the marker display settings

You can set the marker display using MARKER CONFIG on the <FOCUS POSITION METER2> page.

**REG:** Registers a marker at the index position.

**DISP:** Turns the marker display on/off.

**COLOR:** Sets the color of the marker. This also sets the color of the adjustment frame.

**NAME:** Sets the name of the marker.

**POS:** Adjusts the marker position manually.

- 4 Turn the MENU SEL knob/ENTER button to display the desired setting and press the MENU SEL knob/ENTER button.

- 5 To finish the adjustment, set the DISPLAY switch to OFF to exit Menu mode.

### Marker registration

You can register a marker for the focus position meter using RET/ASSIGNABLE buttons A, B, and C.

When HDLA is attached, you can register a marker for the focus position meter using the VF OUT switch. Marker 1 is registered using the R switch, marker 2 by the G switch, and marker 3 by the B switch. Setting a switch to ON registers a marker at the current index position (same function as REG on the <FOCUS POSITION METER2> page). Setting a switch to OFF turns the marker display off (same as setting DISP on the <FOCUS POSITION METER2> page to OFF).

#### To register a marker for the focus position meter using the VF OUT switch

Set VF OUT SW to FOCUS POSITION METER on the <SWITCH ASSIGN1> page in the OPERATION menu.

## Setting the VF Dynamic Contrast Function

Emphasizing the contrast in the image on the viewfinder screen makes it easier to check the focusing condition for high brightness areas and for subjects with low contrast levels.

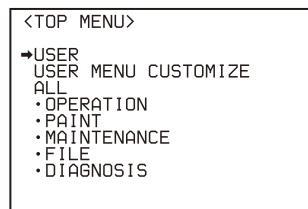
- 1 Turn on the camera.

- 2 Set the DISPLAY switch to MENU while holding the MENU SELECT knob pressed.

The camera enters Menu mode, and "TOP" is displayed at the upper right corner of the screen.

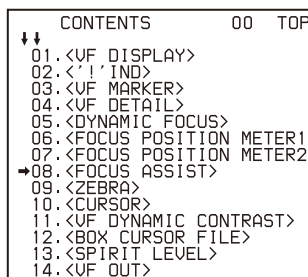
- 3 Turn the MENU SELECT knob to align the arrow marker (➡) to "TOP" and press the MENU SELECT knob.

The TOP MENU screen appears.



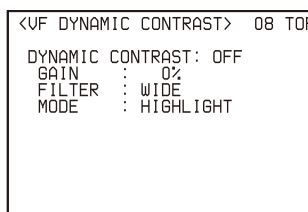
- 4 Turn the MENU SELECT knob to align the arrow marker (➡) to OPERATION and press the MENU SELECT knob.

The CONTENTS page of the OPERATION menu is displayed.



- 5 Turn the MENU SELECT knob to align the arrow marker (➡) to <VF DYNAMIC CONTRAST> and press the MENU SELECT knob.

The <VF DYNAMIC CONTRAST> page is displayed.



- 6 Turn the MENU SELECT knob to align the arrow marker (➡) to the item to be set and press the MENU SELECT knob.

#### To use the VF dynamic contrast signal

Set DYNAMIC CONTRAST to ON to add the contrast signal in the image. You can adjust the GAIN in the range of 0 to 100%.

You can adjust the characteristics of the contrast signal with the menu items below.

**FILTER:** Adjust the selection range of the contrast extraction target pixel.

**MODE:** Selection of contrast signal addition mode. LINEAR adjusts the contrast of the entire image. HIGHLIGHT emphasizes the contrast of the high brightness range. FOGGY emphasizes the contrast of the image which is hazy and in low contrast.

- 7 Turn the MENU SELECT knob to display the desired setting and press the MENU SELECT switch.
- 8 To finish the adjustment, set the DISPLAY switch to OFF to exit Menu mode.

## Setting the Camera Outputs

You can specify video signals directly output from the camera, with menu operations.

You can display the signal name by attaching a label (supplied) for the configured output signal name to the connector label area.

### Notes

- The MAIN (camera picture), RET (return video), or VF (the same picture as that displayed on the viewfinder screen) setting is common to SD-SDI and VBS. Different signals cannot be output.
- The output from the SDI MONI connector is 1080i, even if the format setting is 720P.

### Outputting the signal being shot (camera picture)

The same textual information as that displayed on the viewfinder screen can be added to the output signal by setting CHARACTER to "ON" on the <SDI OUT> or <TEST OUT> page.

#### To output as HD-SDI

Menu page	Item	Setting
<SDI OUT>	SDI-MONI OUT	MAIN

#### To output as SD-SDI

Menu page	Item	Setting
<SDI OUT>	SDI-MONI OUT	SD-SDI
	DOWN CONVERTER SELECT	MAIN

#### To output as VBS

Menu page	Item	Setting
<TEST OUT>	OUTPUT	VBS
	DOWN CONVERTER SELECT	MAIN

### Constantly outputting a return video

- When a camera control unit is connected, one of the signals being supplied to the camera control unit can be output from the camera.
- The last selected return signal is output.
- The same textual information as that displayed on the viewfinder screen can be added to the output signal by setting CHARACTER to "ON" on the <SDI OUT> or <TEST OUT> page.

#### To output as HD-SDI

Menu page	Item	Setting
<SDI OUT>	SDI-MONI OUT	RET

### To output as SD-SDI

Menu page	Item	Setting
<SDI OUT>	SDI-MONI OUT	SD-SDI
	DOWN CONVERTER SELECT	RET

### To output as VBS

Menu page	Item	Setting
<TEST OUT>	OUTPUT	VBS
	DOWN CONVERTER SELECT	RET

### Outputting the same image as that on the viewfinder screen

- With HD-SDI, you can obtain a signal that includes the same information as that being displayed on the viewfinder screen according to the settings of the VF MARKER, CHARACTER, VF DETAIL, ZEBRA, etc. The ON/OFF or other settings for adding information are common to those for the viewfinder. The output is synchronized with switching among Y, R, G, and B or switching to a return signal.
- With SD-SDI or VBS, the output is synchronized only with switching between a return signal and the camera image. It does not correspond to switching among Y, R, G, and B. Information other than CHARACTER (such as VF MARKER, VF DETAIL, ZEBRA) cannot be added to the output.

#### Note

With the settings for outputting the same image as that on the viewfinder screen, the output will be obtained in 1080i, even if the format setting is 720P.

### To output as HD-SDI

Menu page	Item	Setting
<SDI OUT>	SDI-MONI OUT	VF

### To output as SD-SDI

Menu page	Item	Setting
<SDI OUT>	SDI-MONI OUT	SD-SDI
	DOWN CONVERTER SELECT	VF

### To output as VBS

Menu page	Item	Setting
<TEST OUT>	OUTPUT	VBS
	DOWN CONVERTER SELECT	VF

### Outputting 3G/6G/12G-SDI (HDC5500)

The SDI 1 output and SDI 2 output form 3G/6G/12G-SDI output.

*For details, see "SDI output format with master frequency of 1/1.001" (page 64) and "SDI output format with master frequency of 1/1.000" (page 77).*

### Outputting 3G-SDI (HDC3500)

The SDI 1 output and SDI 2 output form 3G-SDI output.

### To output in 1080/59.94P or 1080/50P

Menu page	Item	Setting
<OUTPUT FORMAT>	ACTIVE LINE	1080
	(Format)	59.94P or 50P
<SDI OUT>	SDI-1	MAIN (3G)
	SDI-2	LEVEL-A or LEVEL-B

#### Notes

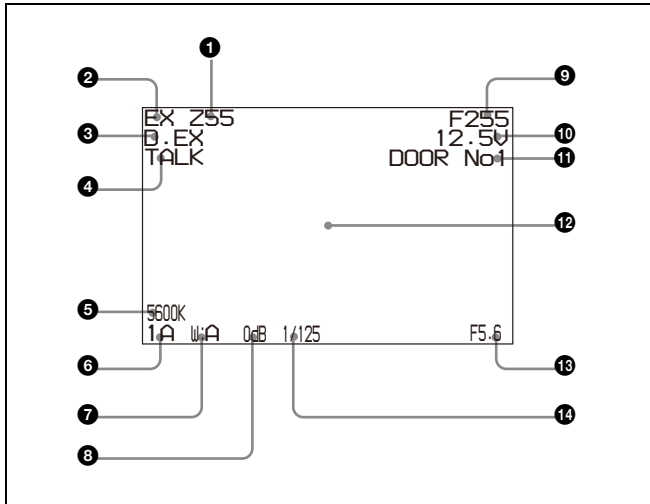
- HZC-PRV50/PRV50M/PRV50W camera operating software (option) is required for 3G-SDI output.
- Output as standard when an HKC-TR37 is installed.

# Viewfinder Screen Status Display

Besides the video image, the viewfinder can display text and messages showing the camera settings and operation status, as well as items such as a center marker or safety zone marker.

## When the DISPLAY switch is set to DISPLAY

Items set to ON using the menu or related switches will be displayed on the upper and lower edges of the screen.



- 1 Zoom position**  
Indicates the approximate position of the zoom lens variator between wide angle (0) and telephoto (99). Shows how close it is to the telephoto side.
- 2 Lens extender**  
“EX” is displayed when a lens extender is in use.
- 3 Digital extender**  
“D.EX” is displayed when a digital extender is in use.
- 4 TALK indication**  
Displayed when the intercom microphone is set to ON.
- 5 5600K mode**  
Displayed when 5600K is set to ON.
- 6 Filter**  
Displays the type of filter currently selected. The number (1, 2, 3, 4, or 5) indicates the ND filter, and the letter (A, B, C, or D) is for the CC filter.
- 7 White balance memory**  
Displays the currently selected white balance automatic adjustment memory.  
**W:A:** The WHITE BAL switch is set to “A”  
**W:B:** The WHITE BAL switch is set to “B”  
**W:P:** The WHITE BAL switch is set to “PRST”
- 8 Gain value**  
Displays the video gain value (dB) set with the GAIN switch.
- 9 Focus position**  
Shows the focus position of a zoom lens as a numeric value (0 to 255 (infinity)).

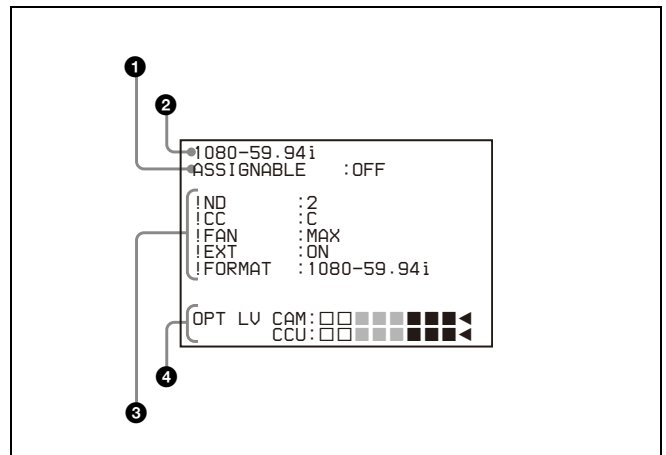
## Note

Displayed only when a serial communication lens is connected.

- 10 Battery voltage**  
Displays the input voltage.
- 11 Marker name of the focus position meter**  
Displays the marker name of the focus position meter.
- 12 Setting change / adjustment process message area**  
This area is only used when the MESSAGE item of the menu is set to other than OFF.
- 13 F value**  
Indicates the lens F (iris opening) value.
- 14 Shutter/ECS**  
Displays the shutter/ECS status. Nothing is displayed if the electronic shutter is set to OFF.

## When you press the STATUS/CANCEL switch toward STATUS

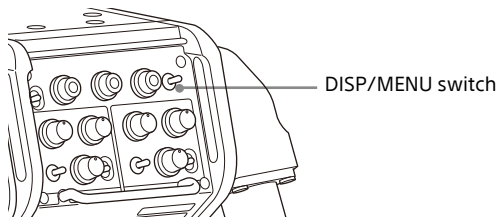
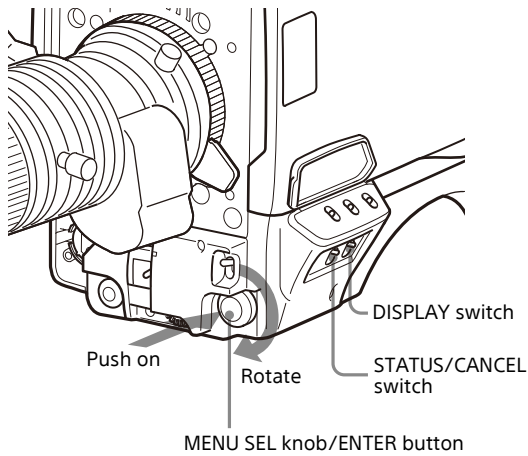
The status display is changed to show the following items:



- 1 Assignable switch indication**  
The function assigned to the assignable switch (*page 9*) is indicated.  
*For the functions that can be assigned, see OPERATION menu <SWITCH ASSIGN1> (page 44).*
- 2 Format indication**  
The current video format is displayed.
- 3 '! IND' indication area**  
This area is used to display abnormal statuses, using the <'!IND> function. Display options can be set, using the menu.  
*For details, see OPERATION menu <'! IND> (page 40).*
- 4 Light sensor level indicators (optical fiber transmission only)**  
This area shows the light-receiving levels in segments.  
**CAM:** Light-receiving level at the CCU connector (*page 10*) of the camera  
**CCU:** Light-receiving level at the CAMERA connector of the CCU

# Menu Operations

The menus displayed on the viewfinder screen enable various settings of the camera. The following controls are used to operate the menus.



## Starting Menu Operations

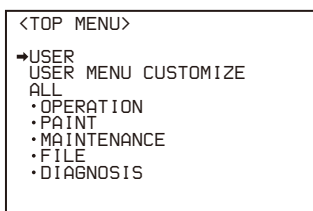
### To display a menu page

Set the DISPLAY switch from OFF to MENU. You can also display the menu by setting the DISP/MENU switch on the rear side to MENU. The menu page that last operated will be displayed. (If it is the first time, the CONTENTS page of the OPERATION menu will be displayed.)

### To display the TOP MENU screen

If you set the DISPLAY switch from OFF to MENU while holding the MENU SEL knob/ENTER button pressed, "TOP" is displayed at the upper right corner of the screen. Selecting it displays the TOP MENU screen, which lists the available menus, and you can select the menus on this screen.

TOP MENU screen



### To disable the "TOP" indication

Turn the power once off then on again, or set the DISPLAY switch from OFF to MENU while holding the STATUS/CANCEL switch pressed toward CANCEL. This disables the TOP selection.

## Available menus

### USER menu

This menu can include menu pages selected from among the OPERATION, PAINT, MAINTENANCE, FILE, and DIAGNOSIS menus, for convenience. Changing, adding, and deleting pages can be performed with the USER MENU CUSTOMIZE menu.

### USER MENU CUSTOMIZE menu

This menu allows you to edit the USER menu.

*For details on the USER menu, see "Editing the USER Menu" on page 31.*

### ALL menu

This menu permits you to control all items of the OPERATION menu, PAINT menu, MAINTENANCE menu, FILE menu, and DIAGNOSIS menu as a single menu.

### OPERATION menu

This menu contains items for camera operators to operate the camera. It mainly permits viewfinder, intercom, and switch settings.

### PAINT menu

This menu contains items for making detailed image adjustments while using a waveform monitor to monitor the waveforms output from the camera. Support of a video engineer is usually required to use this menu. Although you can also use an external remote control panel or master setup unit to set the items on this menu, the menu is effective when using the camera by itself outdoors.

### MAINTENANCE menu

This menu contains items for performing camera maintenance operations, such as changing the system or setting infrequently used "paint" items.

### FILE menu

This menu is for performing file operations, such as writing or clearing the reference file.

### DIAGNOSIS menu

This menu enables you to confirm the self-diagnostic information.

## To select a menu on the TOP MENU screen

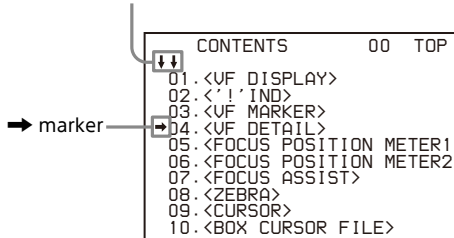
- 1 Rotate the MENU SEL knob/ENTER button to align the arrow marker (→) with the desired menu indication.**
- 2 Push on the MENU SEL knob/ENTER button.** The CONTENTS page or the last operated page of the selected menu is displayed.

## Selecting Pages

### When selecting a page from a CONTENTS page

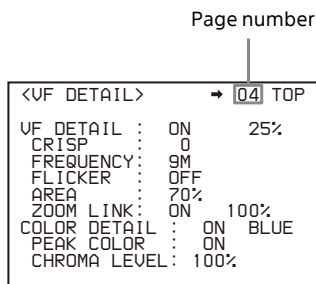
**Example: CONTENTS page of the OPERATION menu**

If the screen can be scrolled, arrows will indicate the direction of scrolling.



Rotate the MENU SEL knob/ENTER button to align the arrow marker (➡) with the desired page indication, then push on the MENU SEL knob/ENTER button.

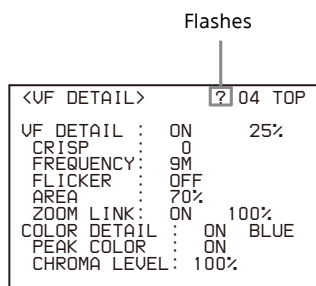
The selected page is displayed.



### To change the displayed page

- 1 Check that the arrow marker (➡) is located at the left of the page number, then push on the MENU SEL knob/ENTER button.

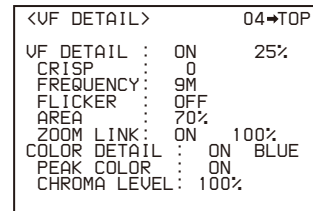
The arrow marker (➡) changes to a flashing question (?) mark.



- 2 Rotate the MENU SEL knob/ENTER button to flip through the pages.
- 3 When the desired page is displayed, push on the MENU SEL knob/ENTER button. The "?" mark will change back to the arrow marker (➡), and operations with the displayed page are enabled.

### To return to the TOP MENU screen

Align the arrow marker (➡) with "TOP" at the top right of the menu page then press the MENU SEL knob/ENTER button.



The TOP MENU screen is resumed.

## Setting the Menu Items

If a "?" mark is flashing at the left of the page number, push on the MENU SEL knob/ENTER button to change it to the arrow marker (➡). Setting on the displayed page is enabled.

- 1 Rotate the MENU SEL knob/ENTER button to align the arrow marker (➡) with the desired item.
- 2 Push on the MENU SEL knob/ENTER button. The arrow marker (➡) will change to a flashing "?" mark.
- 3 Rotate the MENU SEL knob/ENTER button to change the setting value. When the knob is rotated quickly, the values will change quickly; when rotated slowly, the values will change slowly.

### To reset a changed value

If you press the STATUS/CANCEL switch toward CANCEL before pressing the MENU SEL knob/ENTER button, the setting will be returned to its previous value.

### To interrupt settings

Set the DISPLAY switch to OFF to turn off the menu screen display. The setting operation can be restarted by setting the DISPLAY switch back to MENU.

- 4 Push on the MENU SEL knob/ENTER button. The "?" mark will change back to the arrow marker (➡), and the new setting will be registered.
- 5 To change other setting items on the same menu page, repeat steps 1 through 4.

## To specify a character string

When you press the MENU SEL knob/ENTER button with the arrow marker (➡) pointing to an item for which a character string, such as a file ID, is to be specified, a cursor and the list of selectable characters are displayed.

The displayed cursor can be moved by rotating the MENU SEL knob/ENTER button.

- 1 Set the cursor to the position where you wish enter a character, then push on the MENU SEL knob/ENTER button. Another cursor appears on the character list.

## 2 Set the cursor to the character to be entered and push on the MENU SEL knob/ENTER button.

Repeat steps 1 and 2.

By selecting INS on the line below the character list, you can enter a space at the cursor position.

Selecting DEL deletes the character at the cursor position.

You can return to step 1 without changing the character by selecting RET.

If you enter the permitted maximum number of characters (up to the stop mark at the right end of the line), the cursor moves to ESC on the line below the character list.

To register the new string you have set, select END and push on the MENU SEL knob/ENTER button.

To restore the previous string, select ESC and push on the MENU SEL knob/ENTER button.

### To return a menu item to its standard value

Select the menu item to be returned to its standard value then hold the MENU SEL knob/ENTER button pressed for 3 seconds while the arrow marker (→) is displayed.

### To end menu operations

Set the DISPLAY switch to OFF.

## Editing the USER Menu

You can select desired pages and items from the OPERATION, PAINT, MAINTENANCE, FILE, and DIAGNOSIS menus and register them to the USER menu. If you specify pages or items frequently used for the USER menu, you can easily call and use them.

The following pages are included on the factory-set USER menu:

Menu page title	USER menu No.	Source menu / page No.
<VF OUT>	U01	OPERATION 14
<VF DETAIL>	U02	OPERATION 04
<FOCUS ASSIST>	U03	OPERATION 08
<VF DISPLAY>	U04	OPERATION 01
<'! IND>	U05	OPERATION 02
<VF MARKER>	U06	OPERATION 03
<CURSOR>	U07	OPERATION 10
<ZEBRA>	U08	OPERATION 09
<SWITCH ASSIGN1>	U09	OPERATION 15
<SWITCH ASSIGN2>	U10	OPERATION 16
<HEADSET MIC>	U11	OPERATION 20
<OUTPUT FORMAT>	U12	MAINTENANCE M11
<TEST OUT>	U13	MAINTENANCE M12
<SDI OUT>	U14	MAINTENANCE M13
<ROM VERSION>	U15	DIAGNOSIS D03

For the items on each page, see the corresponding source menu page in the table in "Menu List" on page 34.

The USER MENU CUSTOMIZE menu allows you to configure a USER menu that consists only of pages and items that you need, by your adding, deleting or replacing pages.

### Editing by items

The USER MENU CUSTOMIZE menu allows you to add a new page to the USER menu and add desired items to the page. While the EDIT page contains factory-preset items, the USER 1 EDIT to USER 19 EDIT pages are all blank in their initial state. You can register up to 10 items, including blank lines, on each of these pages.

### To add items to a page

Proceed as follows.

**1 Set the DISPLAY switch from the OFF position to the MENU position while holding the MENU SEL knob/ENTER button pressed.**

The TOP MENU screen appears.

**2 Turn the MENU SEL knob/ENTER button to move the arrow marker (→) to "USER MENU CUSTOMIZE" then push on the MENU SEL knob/ENTER button.**

If this is the first time the USER MENU CUSTOMIZE menu has been displayed, the CONTENTS page of the menu appears.

CONTENTS		E00 TOP
↓	01.EDIT PAGE	
↓	02.USER 1 EDIT	
→	03.USER 2 EDIT	
	04.USER 3 EDIT	
	05.USER 4 EDIT	
	06.USER 5 EDIT	
	07.USER 6 EDIT	
	08.USER 7 EDIT	
	09.USER 8 EDIT	
	10.USER 9 EDIT	

If the USER MENU CUSTOMIZE menu has been used before, the page last accessed appears.

**3 If the CONTENTS page is displayed, turn the MENU SEL knob/ENTER button to move the arrow marker (→) to any of USER 1 EDIT to USER 19 EDIT then push on the MENU SEL knob/ENTER button to display the page.**

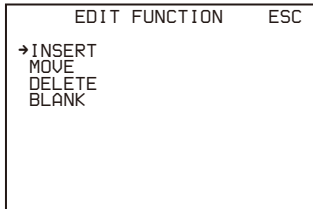
**If a different page is displayed, turn the MENU SEL knob/ENTER button until the desired page appears, then push on the MENU SEL knob/ENTER button to select the page.**

Example: When you select the USER 2 EDIT page

USER 2 EDIT		E03 TOP
→		

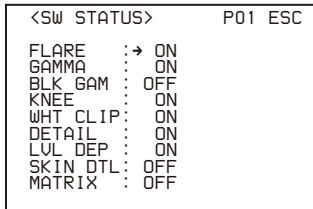
**4 Move the arrow marker (→) to the item to be added (this operation is unnecessary if no item exists on the page, as shown in the figure for step 3) then push on the MENU SEL knob/ENTER button.**

The EDIT FUNCTION screen appears.



**5 Move the arrow marker (→) to “INSERT” and push on the MENU SEL knob/ENTER button.**

The page with the last item added appears.



**6 Add the items.**

- ① Turn the MENU SEL knob/ENTER button until the page that has the desired items appears then push on the MENU SEL knob/ENTER button.
- ② Turn the MENU SEL knob/ENTER button to move the arrow marker (→) to the desired item then push on the MENU SEL knob/ENTER button.

The USER 2 EDIT page appears again, displaying the newly added item.

**7 Add the remaining items by repeating steps 4 to 6.**  
You can add up to 10 items on one page.

**To delete items from a page**

Proceed as follows:

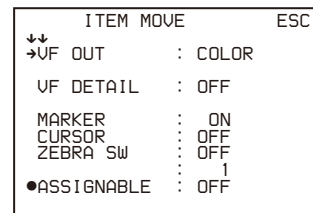
- 1 Move the arrow marker (→) to the item to be deleted, and push on the MENU SEL knob/ENTER button.**  
The EDIT FUNCTION screen appears.
- 2 Select “DELETE,” and push on the MENU SEL knob/ENTER button.**  
The previously displayed page appears again, and the message “DELETE OK? YES→NO” appears at the upper right.
- 3 To delete, turn the MENU SEL knob/ENTER button to move the arrow marker (→) to “YES,” and push on the MENU SEL knob/ENTER button.**

**To change the order of items on a page**

Proceed as follows:

- 1 Turn the MENU SEL knob/ENTER button to move the arrow marker (→) to the item to be moved then push on the MENU SEL knob/ENTER button.**  
The EDIT FUNCTION screen appears.
- 2 Select MOVE then push on the MENU SEL knob/ENTER button.**  
The previously displayed page appears again.

**3 Turn the MENU SEL knob/ENTER button to move the arrow marker (→) to the position where you wish to move the item then push on the MENU SEL knob/ENTER button.**



The item selected in step 1 moves to the position that you selected in step 3.

In the above example, “ASSIGNABLE” is moved to the top and the other items are moved down one line.

**To insert a blank line**

Proceed as follows:

- 1 Turn the MENU SEL knob/ENTER button to move the arrow marker (→) to the item above which you wish to insert a blank line.**  
The EDIT FUNCTION screen appears.
- 2 Select “BLANK” then push on the MENU SEL knob/ENTER button.**  
The previously displayed page appears again, and a blank line is inserted above the specified item.

**Note**

You cannot insert a blank line on a page where 10 items have already been registered.

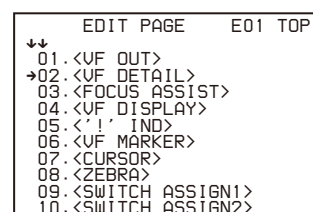
**Editing by pages**

You can add a page to the USER menu, delete a page from the USER menu, or replace pages, using the EDIT PAGE of the USER MENU CUSTOMIZE menu.

**To add a page**

Proceed as follows:

- 1 Select “USER MENU CUSTOMIZE” on the TOP MENU screen.**  
If this is the first time the USER MENU CUSTOMIZE menu has been displayed, the CONTENTS page of the menu appears. If the menu has been used before, the last accessed page appears.
- 2 If the CONTENTS page is displayed, turn the MENU SEL knob/ENTER button to move the arrow marker (→) to “EDIT PAGE” then push on the MENU SEL knob/ENTER button to display the EDIT PAGE screen. If a different page is displayed, turn the MENU SEL knob/ENTER button until the EDIT PAGE screen appears, then push on the MENU SEL knob/ENTER button to select the page.**



- 3** Turn the MENU SEL knob/ENTER button to move the arrow marker (➡) to where you wish to add the page, then push on the MENU SEL knob/ENTER button.  
The EDIT FUNCTION screen appears.

```

EDIT FUNCTION      ESC
➡INSERT
MOVE
DELETE

```

- 4** Select INSERT then push on the MENU SEL knob/ENTER button.  
The selection screen appears.

```

CONTENTS          ESC
↕↕
➡01.USER 1
02.USER 2
03.USER 3
04.USER 4
05.USER 5
06.USER 6
07.USER 7
08.USER 8
09.USER 9
10.USER 10

```

- 5** Turn the MENU SEL knob/ENTER button to move the arrow marker (➡) to the desired page, then push on the MENU SEL knob/ENTER button.  
This adds the number and name of the selected page above the item selected in step 3.

**To cancel addition of a page**

Before pushing the MENU SEL knob/ENTER button in step 5, turn the MENU SEL knob/ENTER button to move the arrow marker (➡) to "ESC" at the top right of the screen, then push on the MENU SEL knob/ENTER button.  
The EDIT PAGE screen appears again.

**To delete a page**

Proceed as follows:

- 1** On the EDIT PAGE screen of the USER MENU CUSTOMIZE menu, move the arrow marker (➡) to the page to be deleted, and push on the MENU SEL knob/ENTER button.  
The EDIT FUNCTION screen appears.

- 2** Select "DELETE" then push on the MENU SEL knob/ENTER button.

The previously displayed page appears again, and the message "DELETE OK? YES➡NO" appears at the upper right.

```

ITEM DELETE      ESC
DELETE OK? YES➡NO
01.<VF OUT>
02.<VF DETAIL>
03.<FOCUS ASSIST>
●04.<VF DISPLAY>
05.<'!' IND>
06.<VF MARKER>
07.<CURSOR>
08.<ZEBRA>
09.<SWITCH ASSIGN1>
10.<SWITCH ASSIGN2>

```

- 3** To delete, turn the MENU SEL knob/ENTER button to move the arrow marker (➡) to "YES," then push on the MENU SEL knob/ENTER button.

**To move a page**

Proceed as follows:

- 1** Display the EDIT PAGE screen of the USER MENU CUSTOMIZE menu, turn the MENU SEL knob/ENTER button to move the arrow marker (➡) to the page that you wish to move, and press the MENU SEL knob/ENTER button.  
The EDIT FUNCTION screen appears.

- 2** Select "MOVE" then push on the MENU SEL knob/ENTER button.  
The EDIT PAGE screen appears again.

- 3** Turn MENU SEL knob/ENTER button to move the arrow marker (➡) to the position to which you wish to move the page selected in step 1.

```

ITEM MOVE        ESC
↕↕
01.<VF OUT>
02.<VF DETAIL>
03.<FOCUS ASSIST>
➡04.<VF DISPLAY>
05.<'!' IND>
06.<VF MARKER>
07.<CURSOR>
●08.<ZEBRA>
09.<SWITCH ASSIGN1>
10.<SWITCH ASSIGN2>

```

- 4** Push on the MENU SEL knob/ENTER button.  
The page selected in step 1 is moved to the position selected in step 3.  
In the above example, <ZEBRA> moves to the "04" position, and the <VF DISPLAY> and following pages move down one line.

# Menu List

This section shows the menus to be displayed on the viewfinder screen in tables.

- For the pages that have been registered in the USER menu at the factory, the USER menu page numbers are indicated in parenthesis in the No. column of the tables.
- A CONTENTS page (numbered 00) is also provided for each menu.

## Notes

**HDLA:** HDLA1500-series Large Lens Adaptor, HDLA1507 Large Viewfinder Adaptor

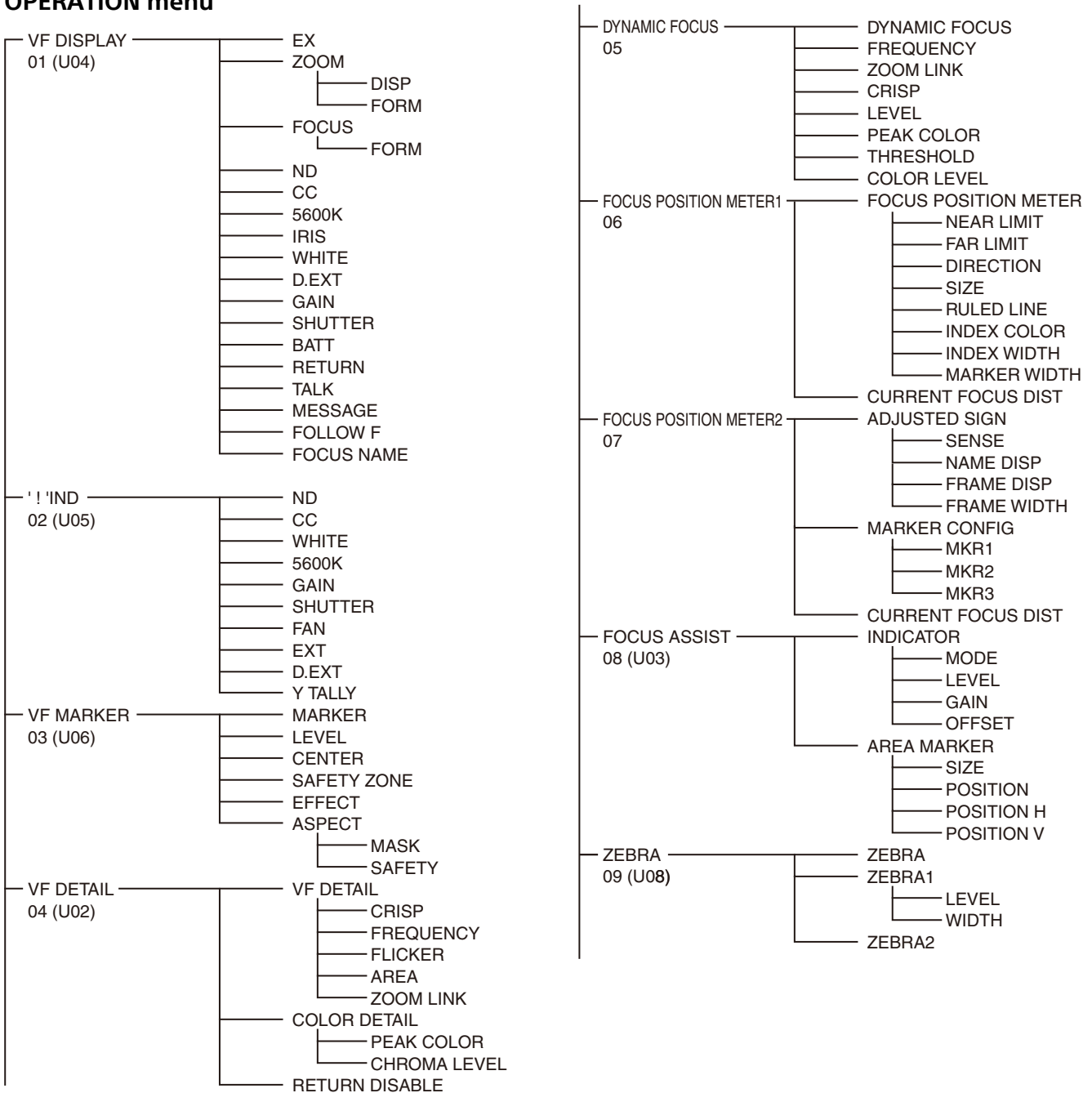
**CCU:** HDCU5000/5500/3100/3170/3500/2000/2500 Camera Control Unit

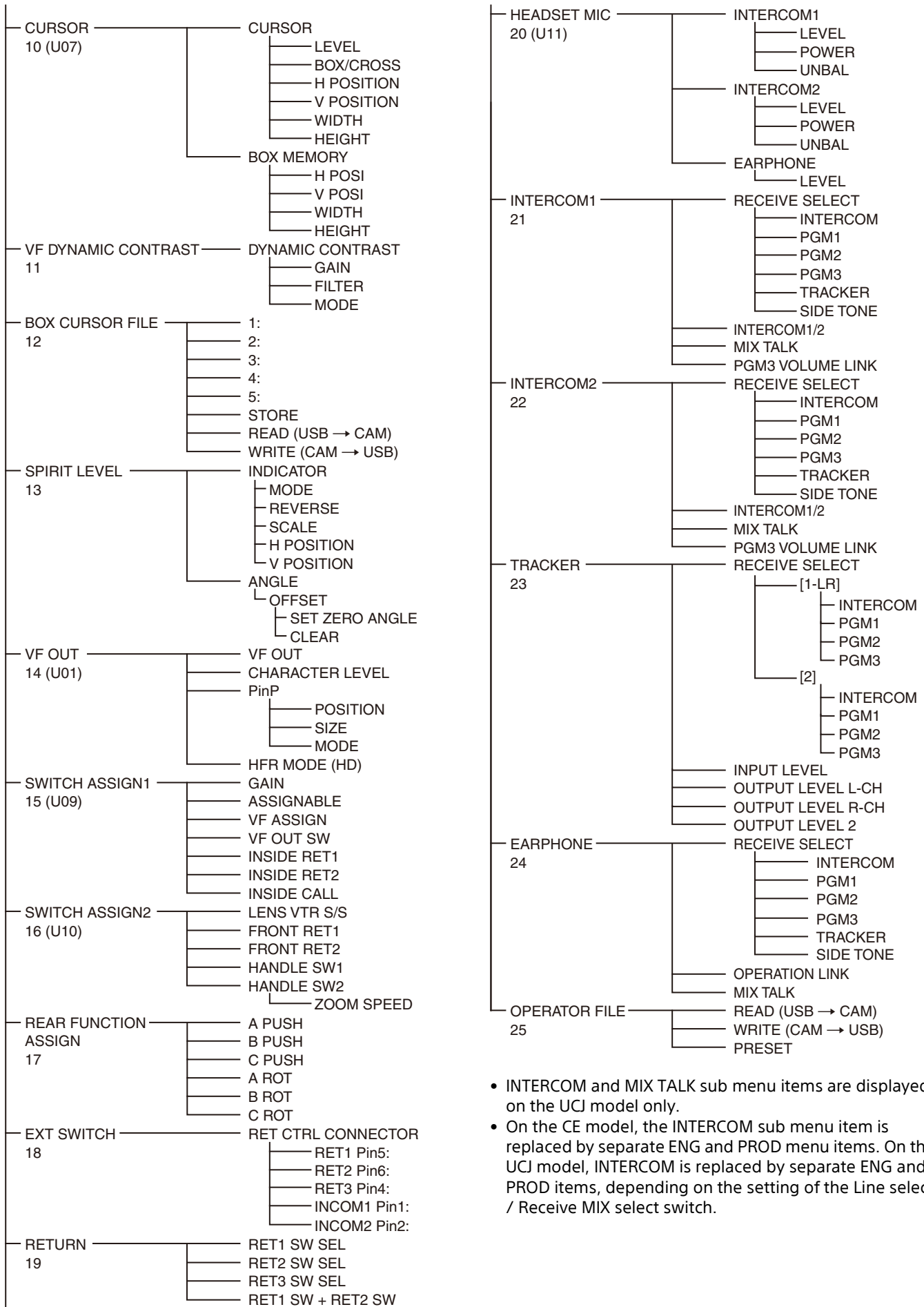
**Bold values (e.g. ON, OFF, 0):** Default settings

**Execute via ENTER:** Execute by pushing on the MENU SEL knob/ENTER button.

## Menu Tree

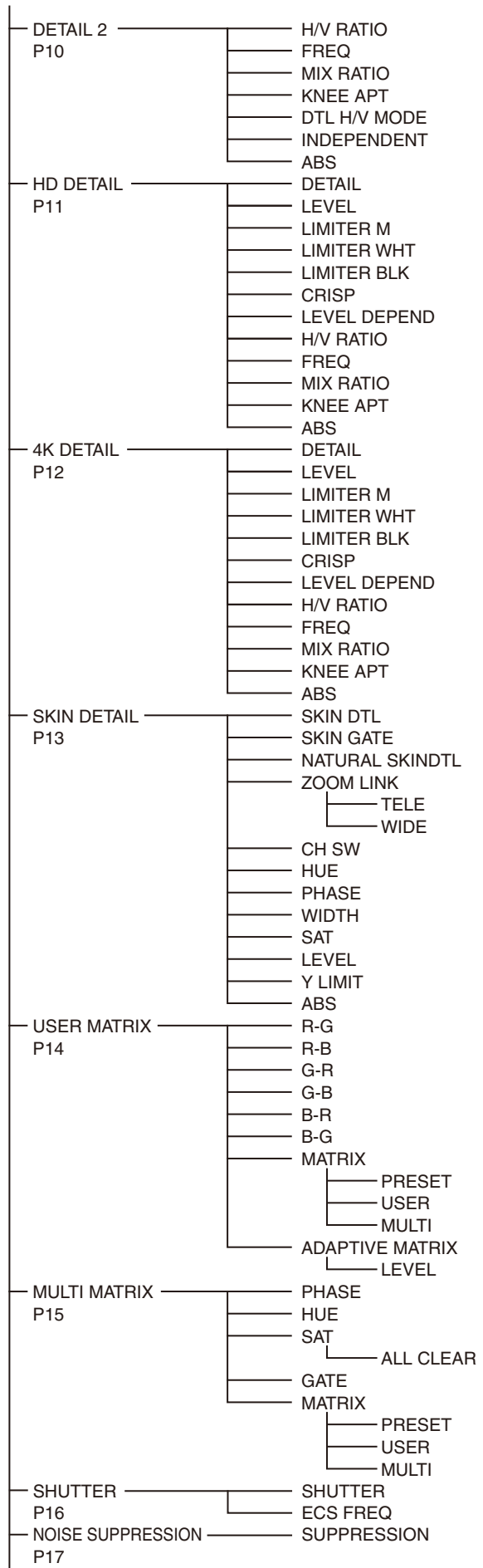
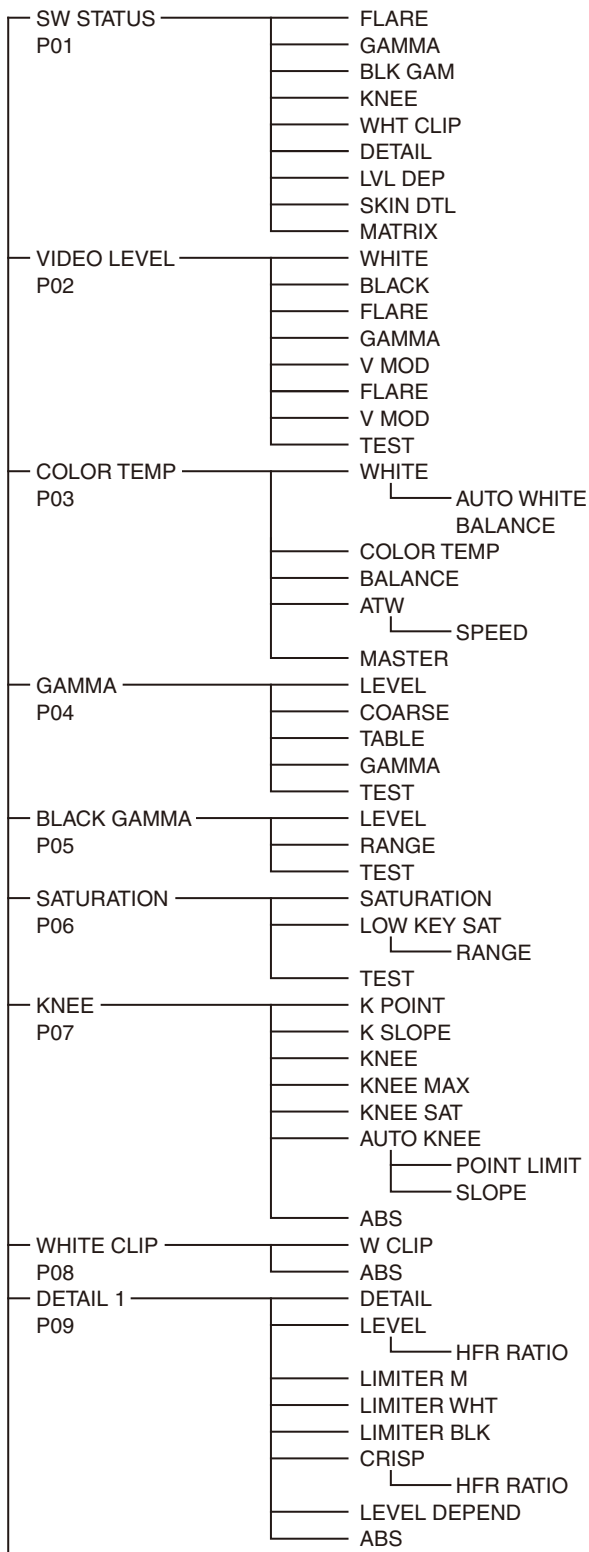
### OPERATION menu

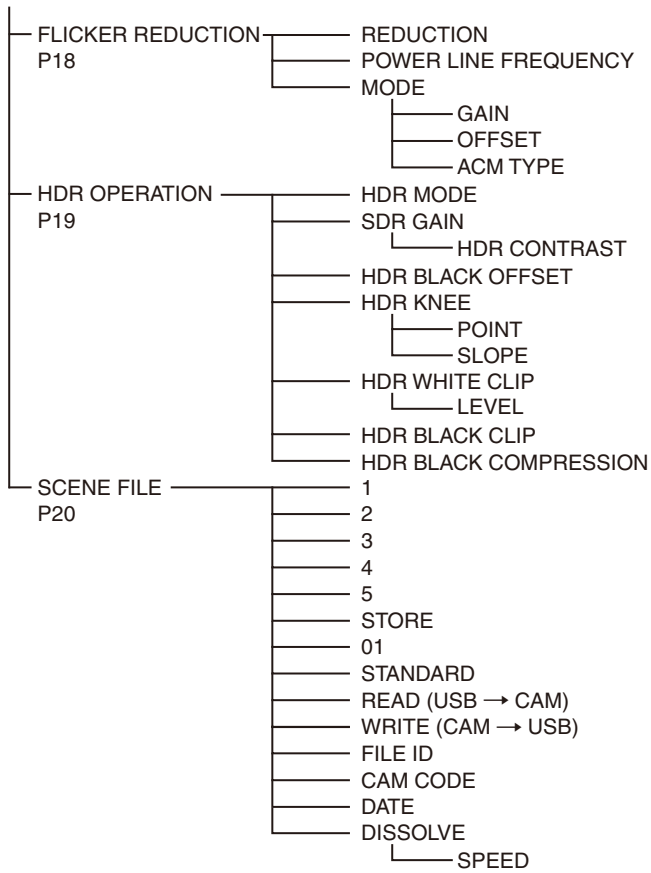




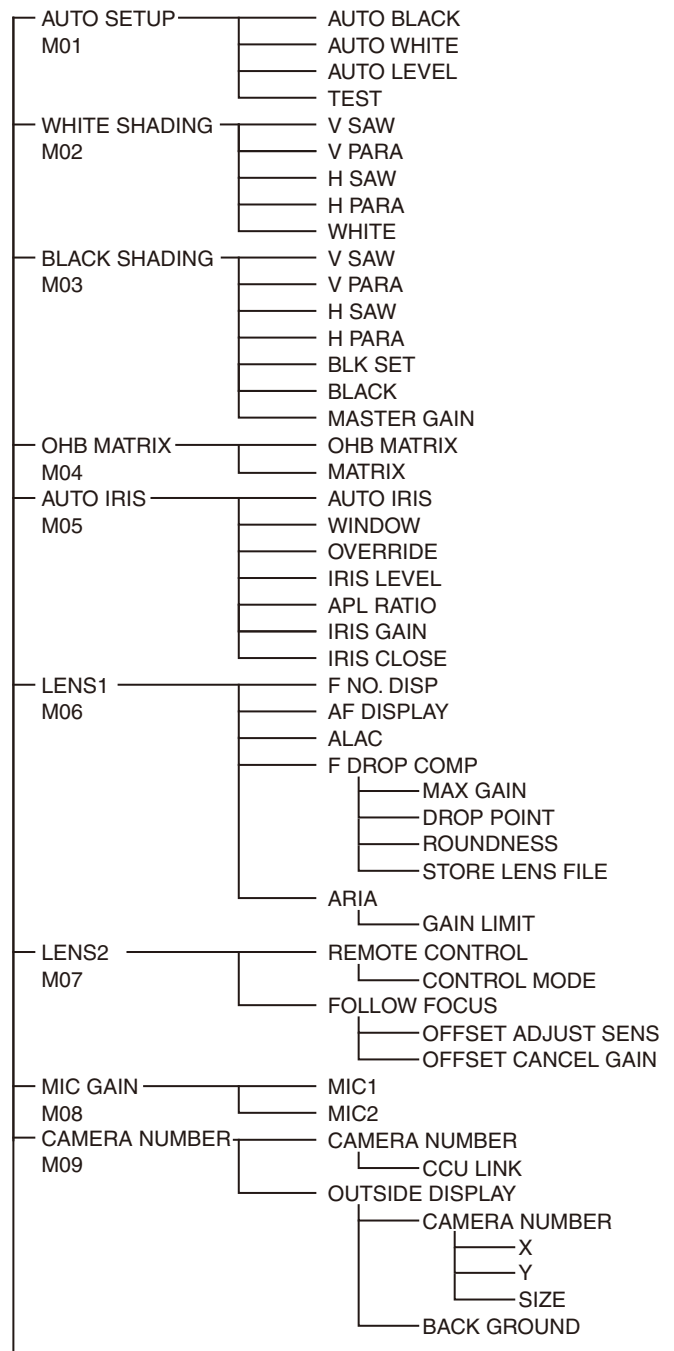
- INTERCOM and MIX TALK sub menu items are displayed on the UCJ model only.
- On the CE model, the INTERCOM sub menu item is replaced by separate ENG and PROD menu items. On the UCJ model, INTERCOM is replaced by separate ENG and PROD items, depending on the setting of the Line select / Receive MIX select switch.

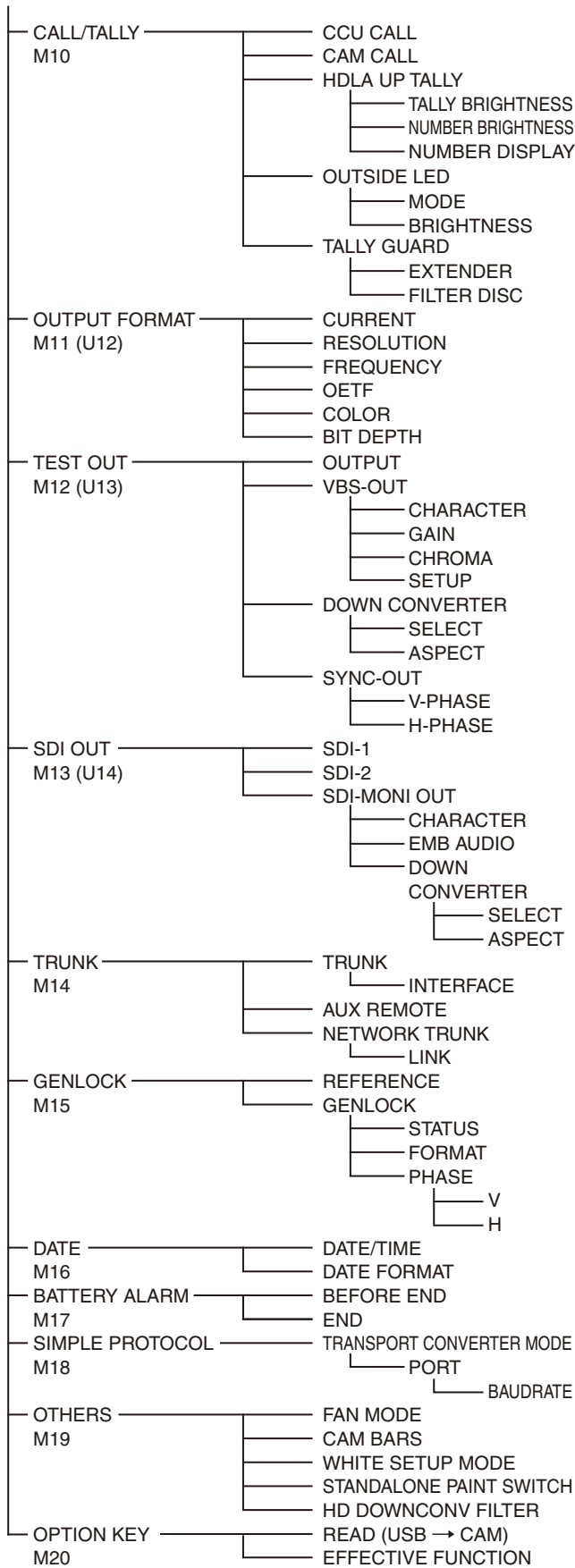
# PAINT menu



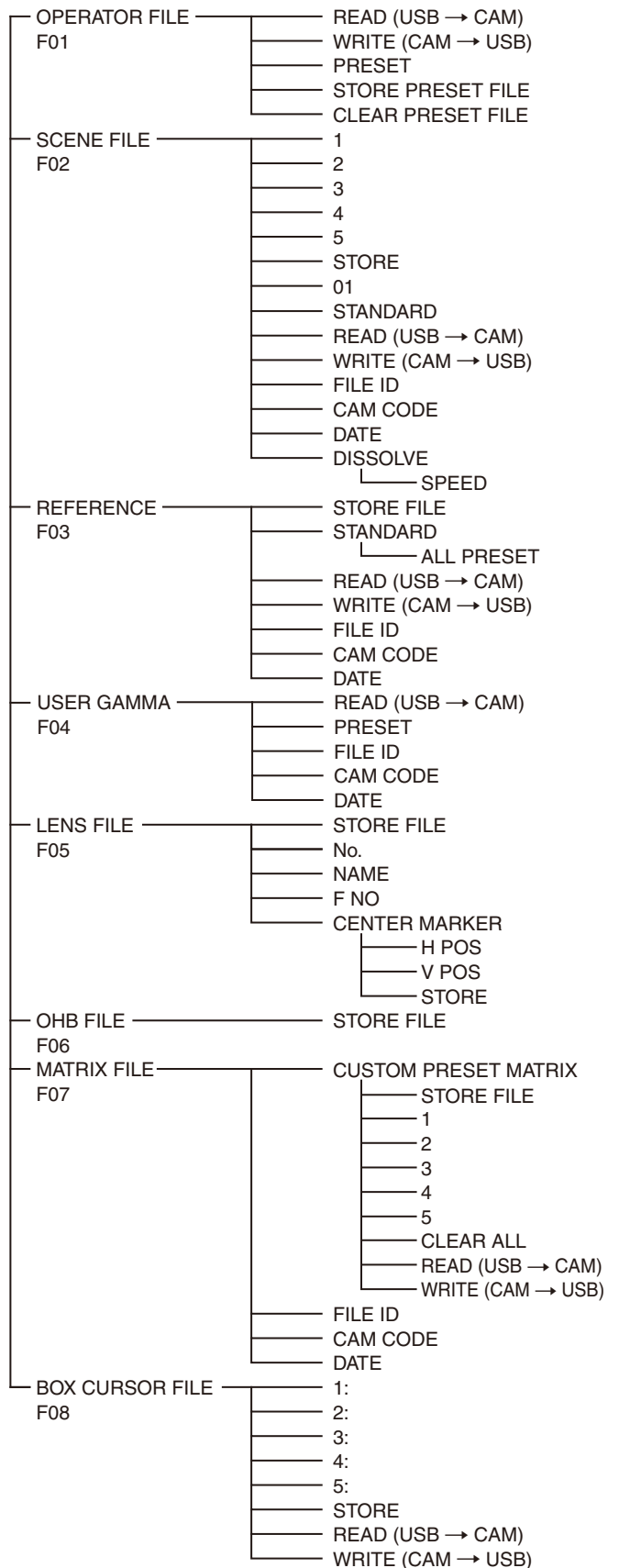


## MAINTENANCE menu



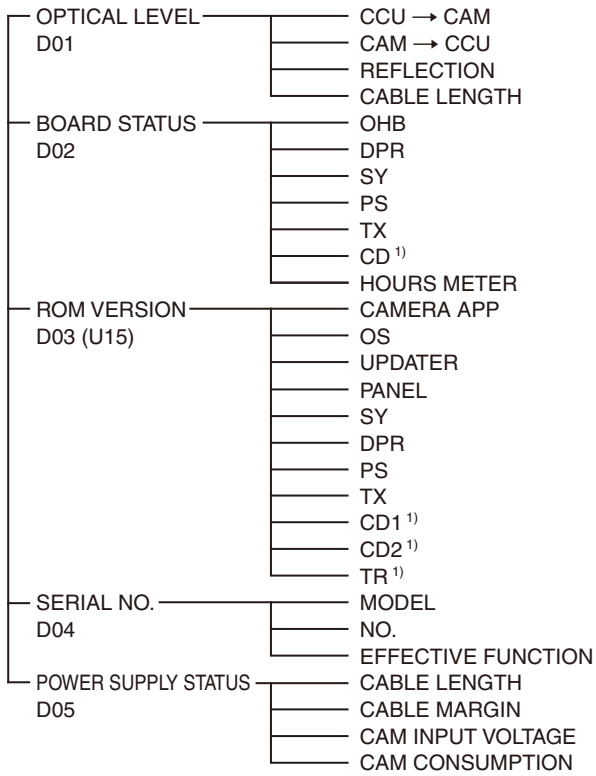


## FILE menu



## DIAGNOSIS menu

1) When the HKC-TR37 is installed















































# OPERATION Menu

OPERATION			
Page name Page No.	Item	Settings	Description
<VF DISPLAY> 01 (U04)	EX	<u>ON</u> , OFF, 3S	
	ZOOM	ON, <u>OFF</u> , 3S	
	DISP	<u>LEFT</u> , RIGT	
	FORM	<u>999</u> , mm	
	FOCUS	ON, <u>OFF</u> , 3S	Valid only when a serial lens is used.
	FORM	<u>999</u> , m, ft	
	ND	<u>ON</u> , OFF, 3S	
	CC	<u>ON</u> , OFF, 3S	
	5600K	<u>ON</u> , OFF, 3S	
	IRIS	<u>ON</u> , OFF, 3S	
	WHITE	ON, <u>OFF</u> , 3S	
	D.EXT	<u>ON</u> , OFF, 3S	
	GAIN	<u>ON</u> , OFF, 3S	
	SHUTTER	<u>ON</u> , OFF, 3S	
	BATT	ON, <u>OFF</u> , 3S	
	RETURN	<u>ON</u> , OFF, 3S	
	TALK	<u>ON</u> , OFF, 3S	
	MESSAGE	<u>ALL</u> , WRN, AT, OFF	<b>ALL</b> : Displays all messages. <b>WRN</b> : Displays warning messages and higher. <b>AT</b> : Displays Auto Setup messages and higher.
	FOLLOW F	ON, <u>OFF</u> , 3S	
	FOCUS NAME	OFF, 1S, 3S, 5S, <u>ON</u>	Sets whether to show/hide the marker name and sets the display time.
<'!' IND> 02 (U05)	ND	<u>ON</u> , OFF 1, 2, 3, 4, 5 (combination allowed)	[IND]: Turns the '! display area (see page 28) on/off. [NORMAL]: Specifies the conditions under which the '! indication is not to be displayed even if [IND] is ON. (By specifying the standard or normal conditions here, non-standard or abnormal conditions can be found with the '! indication on the viewfinder screen.)
	CC	<u>ON</u> , OFF A, <u>B</u> , C, D (combination allowed)	
	WHITE	<u>ON</u> , OFF, --- P, <u>A</u> , <u>B</u> (combination allowed)	
	5600K	<u>ON</u> , OFF, --- ON, <u>OFF</u>	Example: With the default setting of ND, the '! indication is displayed when an ND filter other than 1 is selected.
	GAIN	<u>ON</u> , OFF, --- <u>L</u> , M, H (combination allowed)	
	SHUTTER	<u>ON</u> , OFF, --- ON, <u>OFF</u>	---: When a CCU is connected (cannot be changed)
	FAN	<u>ON</u> , OFF <u>AUTO1</u> , AUTO2, MIN, MAX	
	EXT	<u>ON</u> , OFF	
	D.EXT	<u>ON</u> , OFF	
	Y TALLY	<u>ON</u> , OFF	

OPERATION				
Page name Page No.	Item	Settings	Description	
<VF MARKER> 03 (U06)	MARKER	<b>ON</b> , OFF <b>WHITE</b> , BLACK, DOT	Sets the display of all markers on/off.	
	LEVEL	MIN, 1 to 10, <b>4</b>		
	CENTER	ON, <b>OFF</b> <b>1</b> , 2, 3, 4	<b>1</b> : Full cross <b>2</b> : Full cross with a hole <b>3</b> : Center <b>4</b> : Center with a hole	
	SAFETY ZONE	ON, <b>OFF</b> 80.0, <b>90.0</b> , 92.5, 95.0%		
	EFFECT	ON, <b>OFF</b>		
	ASPECT	ON, <b>OFF</b> 16:9, 15:9, 14:9, 13:9, <b>4:3</b>	<b>(4.3)</b> : If VF SCAN is set to 4:3 when HDLA is attached (cannot be changed)	
	MASK	ON, <b>OFF</b> 0 to 15, <b>12</b>	<b>(ON)</b> : If VF SCAN is set to 4:3 when HDLA is attached (cannot be changed) Sets the darken level outside the aspect area.	
	SAFETY	ON, <b>OFF</b> 80.0, <b>90.0</b> , 92.5, 95.0%	For the safety marker in Aspect mode.	
	<VF DETAIL> 04 (U02)	VF DETAIL	<b>ON</b> , OFF, (ON), (OFF) 0 to 100%, (0 to 100%), <b>25%</b>	Settings in ( ): When HDLA is attached (cannot be changed)
		CRISP	-99 to +99, <b>0</b>	
FREQUENCY		<b>9M</b> , 14M, 18M		
FLICKER		ON, <b>OFF</b>		
AREA		10 to 100%, <b>100%</b>		
ZOOM LINK		<b>ON</b> , OFF 0 to 100%, <b>50%</b>		
COLOR DETAIL		ON, <b>OFF</b> YELLOW, RED, <b>BLUE</b>		
PEAK COLOR		ON, <b>OFF</b>		
CHROMA LEVEL		100%, 50%, <b>25%</b> , 0%		
RETURN DISABLE		ON, <b>OFF</b>	Selects whether to set VF DETAIL to OFF for RETURN display.	
<DYNAMIC FOCUS> 05	DYNAMIC FOCUS	<b>OFF</b> , ON, (OFF)	<b>(OFF)</b> : Displayed for formats other than 4K/HDR format.	
	FREQUENCY	<b>EXTRA-LOW</b> , LOW, MID, HIGH, (AUTO)	Sets the bandwidth of the 4K resolution high-frequency signal to detect. <b>(AUTO)</b> : Displayed when ZOOM LINK is set to ON.	
	ZOOM LINK	ON, <b>OFF</b> <b>MODE1</b> , MODE2, MODE3, MODE4	Sets characteristics according to the zoom position.	
		0 to 100%, <b>50%</b> (5% increments)	Sets the level at the WIDE position mark.	
	CRISP	0 to 99, <b>6</b>	Adjust to eliminate minute components of the detected signal.	
	LEVEL	<b>LOW</b> , MIDDLE, HIGH, VERY-HIGH	Sets the brightness level of the marking signal.	
	PEAK COLOR	OFF, RED, BLUE, GREEN, BROWN, PURPLE, <b>YELLOW</b>		
	THRESHOLD	0 to 99, <b>50</b>	Sets the threshold level for adding color specified using PEAK COLOR.	
	COLOR LEVEL	0 to 99, <b>19</b>	Sets the saturation of the color of the PEAK COLOR indicator.	

OPERATION			
Page name Page No.	Item	Settings	Description
<FOCUS POSITION METER1> 06	FOCUS POSITION METER	<b>OFF</b> , ON	Shows/hides the focus position meter.
	NEAR LIMIT	<b>0</b> to 999	Sets the NEAR edge of the focus position meter.
	FAR LIMIT	0 to <b>999</b>	Sets the FAR edge of the focus position meter.
	DIRECTION	<b>HORIZONTAL</b> , VERTICAL	Sets the display direction of the focus position meter. <b>HORIZONTAL</b> : Horizontal display at the top of the screen. <b>VERTICAL</b> : Vertical display along the right edge of the screen.
	SIZE	<b>NORMAL</b> , HALF	Sets the display size of the focus position meter.
	RULED LINE	<b>OFF</b> , ON	Shows/hides ruled lines.
	INDEX COLOR	BLACK, <b>WHITE</b>	Sets the index color.
	INDEX WIDTH	<b>1</b> to 5	Sets the index width.
	MARKER WIDTH	<b>1</b> to 9	Sets the width of the marker axis portion.
	CURRENT FOCUS DIST		Displays the current focus distance (display only).
	<FOCUS POSITION METER2> 07	ADJUSTED SIGN	
SENSE		1 to 5, <b>2</b>	Sets the adjustment sensitivity. Increasing the value increases the sensitivity.
NAME DISP		OFF, 1S, 3S, 5S, <b>ON</b>	Sets whether to show/hide the marker name and sets the display time.
FRAME DISP		OFF, 1S, 3S, 5S, <b>ON</b>	Sets whether to show/hide the adjustment frame and sets the display time.
FRAME WIDTH		1 to 5, <b>2</b>	Sets the width of the adjustment frame.
MARKER CONFIG			
[REG] MKR1, 2, 3		Execute using ENTER.	Registers a marker at the current focus position. (Cannot be registered here if marker registration has been assigned to a dedicated switch.)
[DISP] MKR1, 2, 3		<b>OFF</b> , ON	Shows/hides markers. (Cannot be changed here if marker registration has been assigned to a dedicated switch.)
[COLOR] MKR1, 2, 3		<b>RED</b> , GREEN, BLUE, YELLOW, ORANGE, PURPLE, GRAY, BLACK, WHITE	Sets the color of the triangular part of the marker.
[NAME] MKR1, 2, 3		Max. 8 characters (Default value: MARKER 1 to 3)	Sets the text of the marker name. <i>See "To specify a character string" (page 30).</i>
[POS] MKR1, 2, 3		<b>0</b> to 999	Sets the position of the marker.
CURRENT FOCUS DIST		Displays the current focus distance (display only).	
<FOCUS ASSIST> 08 (U03)	INDICATOR	ON, <b>OFF</b>	
	MODE	<b>BOX</b> , B&W, COL <b>BTM</b> , LEFT, TOP, RIGHT	
	LEVEL	MIN, 1 to 10, <b>4</b> <b>QUICK</b> , SMOOTH	
	GAIN	0 to 99, <b>50</b>	
	OFFSET	0 to 99, <b>50</b>	
	AREA MARKER	ON, <b>OFF</b>	
	SIZE	SMALL, <b>MIDDLE</b> , LARGE	
	POSITION	LEFT, <b>CENTER</b> , RIGHT	
	POSITION H	0 to 99, <b>50</b>	
	POSITION V	0 to 99, <b>50</b>	

OPERATION			
Page name Page No.	Item	Settings	Description
<ZEBRA> 09 (U08)	ZEBRA	ON, <b>OFF</b> <b>1, 2, 1&amp;2</b>	
	ZEBRA1		
	LEVEL	50 to 109%, <b>70%</b>	
	WIDTH	0 to 30%, <b>10%</b>	
	ZEBRA2	50 to 109%, <b>100%</b>	
<CURSOR> 10 (U07)	CURSOR	ON, <b>OFF</b>	Displayed only if HDLA attached.
	LEVEL	<b>WHITE</b> , BLACK, DOT MIN, 1 to 10, <b>4</b>	
	BOX/CROSS	<b>BOX</b> , CROSS	
	H POSITION	0 to 99, <b>50</b>	Displayed only if HDLA attached.
	V POSITION	0 to 99, <b>50</b>	
	WIDTH	0 to 99, <b>50</b>	
	HEIGHT	0 to 99, <b>50</b>	
	BOX MEMORY	1/2/3: <b>OFF</b> , ON	
	H POSI	1/2/3: 0 to 99, <b>50</b>	
	V POSI	1/2/3: 0 to 99, <b>50</b>	
	WIDTH	1/2/3: 0 to 99, <b>50</b>	
	HEIGHT	1/2/3: 0 to 99, <b>50</b>	
	<VF DYNAMIC CONTRAST> 11	DYNAMIC CONTRAST	ON, <b>OFF</b> , (OFF)
GAIN		0 to 100%, <b>30%</b>	
FILTER		<b>NARROW</b> , MIDDLE, WIDE	
MODE		LINEAR, <b>HIGHLIGHT</b> , FOGGY	
<BOX CURSOR FILE> 12	1:		BOX CURSOR FILE selection FILE name input.
	2:		Align the cursor to the left of the number to select the BOX CURSOR FILE.
	3:		Align the cursor to the right of the number to enter the BOX CURSOR FILE name.
	4:		
	5:		See <i>"To specify a character string"</i> (page 30).
	STORE		Stores a BOX CURSOR FILE name in the camera.
	READ (USB → CAM)		Transfers a BOX CURSOR FILE from a USB drive to the camera.
	WRITE (CAM → USB)		Transfers a BOX CURSOR FILE from the camera to a USB drive.
<SPIRIT LEVEL> 13	INDICATOR	ON, <b>OFF</b>	
	MODE	<b>1, 2</b>	Switches the display method of the indicator.
	REVERSE	<b>OFF</b> , ON	Inverts the movement of the indicator horizontally.
	SCALE	50% to 150%, <b>100%</b>	Adjusts the horizontal width of the indicator.
	H POSITION	0 to 99, <b>50</b>	
	V POSITION	0 to 99, <b>97</b>	
	ANGLE		Displays the inclination angle (display only).
	OFFSET	-90 to +90, <b>0</b>	
	SET ZERO ANGLE	Execute using ENTER.	Designates the current angle as level (0°).
CLEAR	Execute using ENTER.	Sets OFFSET to 0.	

OPERATION																																
Page name Page No.	Item	Settings	Description																													
<VF OUT> 14 (U01)	VF OUT	<b>COLOR</b> , Y, R, G, B, (COLOR), (Y), (R), (G), (B), (RET), (R+G), (R+B), (G+B)	Settings in ( ): When HDLA is attached (cannot be changed)																													
	CHARACTER LEVEL	1 to 5, <b>4</b>																														
	PinP	<b>OFF</b> , RETURN, HD PROMPTER	OFF and RETURN displayed only when the HKC-TR37 is installed.																													
	POSITION	<b>1</b> , 2, 3, 4																														
	SIZE	1/2.5, <b>1/3</b> , 1/4																														
	MODE	PinP OFF: --- PinP RETURN: 1, 2, 3, 4 PinP HD PROMPTER: 1, 2	 : Main picture,  : Return picture,  : HD Prompter picture <b>PinP: OFF</b> <table border="1"> <thead> <tr> <th>Mode</th> <th>RET SW OFF</th> <th>RET SW ON</th> </tr> </thead> <tbody> <tr> <td>---</td> <td></td> <td></td> </tr> </tbody> </table> <b>PinP: RETURN</b> <table border="1"> <thead> <tr> <th>Mode</th> <th>RET SW OFF</th> <th>RET SW ON</th> </tr> </thead> <tbody> <tr> <td>1</td> <td></td> <td></td> </tr> <tr> <td>2</td> <td></td> <td></td> </tr> <tr> <td>3</td> <td></td> <td></td> </tr> <tr> <td>4</td> <td></td> <td></td> </tr> </tbody> </table> <b>PinP: HD PROMPTER</b> <table border="1"> <thead> <tr> <th>Mode</th> <th>RET SW OFF</th> <th>RET SW ON</th> </tr> </thead> <tbody> <tr> <td>1</td> <td></td> <td></td> </tr> <tr> <td>2</td> <td></td> <td></td> </tr> </tbody> </table>	Mode	RET SW OFF	RET SW ON	---			Mode	RET SW OFF	RET SW ON	1			2			3			4			Mode	RET SW OFF	RET SW ON	1			2	
Mode	RET SW OFF	RET SW ON																														
---																																
Mode	RET SW OFF	RET SW ON																														
1																																
2																																
3																																
4																																
Mode	RET SW OFF	RET SW ON																														
1																																
2																																
HFR MODE (HD)		<b>ACCUMULATE</b> , SINGLE	Cannot be used during standalone operation. Output images as follows to the viewfinder when in HD HFR format. <b>ACCUMULATE</b> : Accumulated image <b>SINGLE</b> : Single image																													
<SWITCH ASSIGN1> 15 (U09) *1	GAIN	L: -6, -3, <b>0</b> , 3, 6, 9, 12 dB M: -6, -3, 0, 3, <b>6</b> , 9, 12 dB H: -6, -3, 0, 3, 6, 9, <b>12</b> dB																														
	ASSIGNABLE	<b>OFF</b> , RETURN1 SW, RETURN2 SW, RETURN3 SW, INCOM1, INCOM2, EXTENDER, D.EXTENDER, 5600K, VF DETAIL, SPIRIT LEVEL INDICATOR, FOCUS ASSIST INDICATOR, PinP, VF ASSIGN SW1, VF ASSIGN SW2, RET1 SW TOGGLE, RET2 SW TOGGLE, RET3 SW TOGGLE, VTR S/S, TALLY R, TALLY G, TALLY Y, FAN MAX, CURSOR ALL OFF, FLAG, AWB, CALL, ZOOM(T), ZOOM(W)	When HDLA is attached: OFF, EXTENDER, 5600K, FAN MAX, D.EXTENDER, PinP, FLAG <b>Notes</b> <ul style="list-style-type: none"> <li>When you turn D.EXTENDER ON or OFF, noise may be generated. This is not a malfunction. D.EXTENDER does not operate when 4K or 2x speed format is selected.</li> <li>TALLY R, TALLY G, TALLY Y are displayed only in standalone operation.</li> <li>INCOM1 and INCOM2 are displayed on the UCJ model only. ENG and PROD are displayed instead on the CE model.</li> </ul>																													

\*1: See page 53.

OPERATION			
Page name Page No.	Item	Settings	Description
<SWITCH ASSIGN1> 15 (U09) *1	VF ASSIGN	OFF, RETURN1 SW, RETURN2 SW, RETURN3 SW, INCOM1, INCOM2, EXTENDER, D.EXTENDER, 5600K, VF DETAIL, SPIRIT LEVEL INDICATOR, FOCUS ASSIST INDICATOR, PinP, <b>VF ASSIGN SW1</b> , VF ASSIGN SW2, RET1 SW TOGGLE, RET2 SW TOGGLE, RET3 SW TOGGLE, VTR S/S, TALLY R, TALLY G, TALLY Y, FAN MAX, CURSOR ALL OFF, FLAG, AWB, CALL, ZOOM(T), ZOOM(W)	Displayed only when HDLA is attached.  <b>Note</b> INCOM1 and INCOM2 are displayed on the UCJ model only. ENG and PROD are displayed instead on the CE model.
*1: See page 53.			
	VF OUT SW	<b>VF OUT RGB</b> , FOCUS POSITION METER	Displayed only when HDLA is attached.  (When set to FOCUS POSITION METER, VF OUT SW (R/G/B) can be used to register/display marker 1/2/3.)
	INSIDE RET1	OFF, <b>RETURN1 SW</b> , RETURN2 SW, RETURN3 SW, INCOM1, INCOM2, EXTENDER, D.EXTENDER, 5600K, VF DETAIL, SPIRIT LEVEL INDICATOR, FOCUS ASSIST INDICATOR, PinP, VF ASSIGN SW1, VF ASSIGN SW2, RET1 SW TOGGLE, RET2 SW TOGGLE, RET3 SW TOGGLE, VTR S/S, TALLY R, TALLY G, TALLY Y, FAN MAX, CURSOR ALL OFF, FLAG, AWB, CALL, ZOOM(T), ZOOM(W)	Assigns functions executed when you press the RET 1 button.  <b>Note</b> INCOM1 and INCOM2 are displayed on the UCJ model only. ENG and PROD are displayed instead on the CE model.
	INSIDE RET2	OFF, RETURN1 SW, <b>RETURN2 SW</b> , RETURN3 SW, INCOM1, INCOM2, EXTENDER, D.EXTENDER, 5600K, VF DETAIL, SPIRIT LEVEL INDICATOR, FOCUS ASSIST INDICATOR, PinP, VF ASSIGN SW1, VF ASSIGN SW2, RET1 SW TOGGLE, RET2 SW TOGGLE, RET3 SW TOGGLE, VTR S/S, TALLY R, TALLY G, TALLY Y, FAN MAX, CURSOR ALL OFF, FLAG, AWB, CALL, ZOOM(T), ZOOM(W)	Assigns functions executed when you press the RET 2 button.  <b>Note</b> INCOM1 and INCOM2 are displayed on the UCJ model only. ENG and PROD are displayed instead on the CE model.
	INSIDE CALL	OFF, RETURN1 SW, RETURN2 SW, RETURN3 SW, INCOM1, INCOM2, EXTENDER, D.EXTENDER, 5600K, VF DETAIL, SPIRIT LEVEL INDICATOR, FOCUS ASSIST INDICATOR, PinP, VF ASSIGN SW1, VF ASSIGN SW2, RET1 SW TOGGLE, RET2 SW TOGGLE, RET3 SW TOGGLE, VTR S/S, TALLY R, TALLY G, TALLY Y, FAN MAX, CURSOR ALL OFF, FLAG, AWB, <b>CALL</b> , ZOOM(T), ZOOM(W)	Assigns functions executed when you press the CALL button.  <b>Note</b> INCOM1 and INCOM2 are displayed on the UCJ model only. ENG and PROD are displayed instead on the CE model.

OPERATION			
Page name Page No.	Item	Settings	Description
<SWITCH ASSIGN2> 16 (U10) <sup>*1</sup>	LENS VTR S/S	OFF, RETURN1 SW, <b>RETURN2 SW</b> , RETURN3 SW, INCOM1, INCOM2, EXTENDER, D.EXTENDER, 5600K, VF DETAIL, SPIRIT LEVEL INDICATOR, FOCUS ASSIST INDICATOR, PinP, VF ASSIGN SW1, VF ASSIGN SW2, RET1 SW TOGGLE, RET2 SW TOGGLE, RET3 SW TOGGLE, VTR S/S, TALLY R, TALLY G, TALLY Y, FAN MAX, CURSOR ALL OFF, FLAG, AWB, CALL, ZOOM(T), ZOOM(W)	Assigns a function to the VTR START/STOP switch on the mounted lens.  <b>Note</b> INCOM1 and INCOM2 are displayed on the UCJ model only. ENG and PROD are displayed instead on the CE model.
	FRONT RET1	OFF, <b>RETURN1 SW</b> , RETURN2 SW, RETURN3 SW, INCOM1, INCOM2, EXTENDER, D.EXTENDER, 5600K, VF DETAIL, SPIRIT LEVEL INDICATOR, FOCUS ASSIST INDICATOR, PinP, VF ASSIGN SW1, VF ASSIGN SW2, RET1 SW TOGGLE, RET2 SW TOGGLE, RET3 SW TOGGLE, VTR S/S, TALLY R, TALLY G, TALLY Y, FAN MAX, CURSOR ALL OFF, FLAG, AWB, CALL, ZOOM(T), ZOOM(W)	VTR S/S is available only when using the camera as a standalone device, and adds the REC signal to the SDI signal. Pressing this button repeatedly, toggles recording on/off. While recording, the tally lamp lights in red.  <b>Note</b> INCOM1 and INCOM2 are displayed on the UCJ model only. ENG and PROD are displayed instead on the CE model.
	FRONT RET2	OFF, RETURN1 SW, <b>RETURN2 SW</b> , RETURN3 SW, INCOM1, INCOM2, EXTENDER, D.EXTENDER, 5600K, VF DETAIL, SPIRIT LEVEL INDICATOR, FOCUS ASSIST INDICATOR, PinP, VF ASSIGN SW1, VF ASSIGN SW2, RET1 SW TOGGLE, RET2 SW TOGGLE, RET3 SW TOGGLE, VTR S/S, TALLY R, TALLY G, TALLY Y, FAN MAX, CURSOR ALL OFF, FLAG, AWB, CALL, ZOOM(T), ZOOM(W)	
	HANDLE SW1	OFF, <b>RETURN1 SW</b> , RETURN2 SW, RETURN3 SW, INCOM1, INCOM2, EXTENDER, D.EXTENDER, 5600K, VF DETAIL, SPIRIT LEVEL INDICATOR, FOCUS ASSIST INDICATOR, PinP, VF ASSIGN SW1, VF ASSIGN SW2, RET1 SW TOGGLE, RET2 SW TOGGLE, RET3 SW TOGGLE, VTR S/S, TALLY R, TALLY G, TALLY Y, FAN MAX, CURSOR ALL OFF, FLAG, AWB, CALL, ZOOM(T), ZOOM(W)	
	HANDLE SW2	OFF, RETURN1 SW, RETURN2 SW, RETURN3 SW, <b>INCOM1</b> , INCOM2, EXTENDER, D.EXTENDER, 5600K, VF DETAIL, SPIRIT LEVEL INDICATOR, FOCUS ASSIST INDICATOR, PinP, VF ASSIGN SW1, VF ASSIGN SW2, RET1 SW TOGGLE, RET2 SW TOGGLE, RET3 SW TOGGLE, VTR S/S, TALLY R, TALLY G, TALLY Y, FAN MAX, CURSOR ALL OFF, FLAG, AWB, CALL, ZOOM(T), ZOOM(W)	
	ZOOM SPEED	0 to 99, <b>20</b>	

\*1: See page 53.

OPERATION			
Page name Page No.	Item	Settings	Description
<REAR FUNCTION ASSIGN> 17	A PUSH	OFF, <b>RETURN1 CAM SW</b> ,	Assigns functions executed when you press RET/ ASSIGNABLE buttons A, B, and C.  Default values: When A PUSH is selected: RETURN1 CAM SW. When B PUSH is selected: RETURN2 CAM SW. When C PUSH is selected: RETURN3 CAM SW.
	B PUSH	RETURN1 CAM SW TOGGLE,	
	C PUSH	<b>RETURN2 CAM SW</b> , RETURN2 CAM SW TOGGLE, <b>RETURN3 CAM SW</b> , RETURN3 CAM SW TOGGLE, VF DETAIL, FOCUS POSITION METER, FOCUS POSITION METER MKR1 REG, FOCUS POSITION METER MKR2 REG, FOCUS POSITION METER MKR3 REG, FOCUS ASSIST INDICATOR, DIGITAL EXTENDER, VF DYNAMIC CONTRAST, DYNAMIC FOCUS	
	A ROT	OFF, <b>RET CCU CH SEL</b> , VF DETAIL	
	B ROT	LEVEL, VF DETAIL CRISP, FOCUS	Assigns functions executed when you turn RET/ ASSIGNABLE buttons A, B, and C.  The items that can be selected vary depending on the A PUSH, B PUSH, and C PUSH settings. When the PUSH function is OFF: OFF When RETURN1 CAM SW, RETURN1 CAM SW TOGGLE, RETURN2 CAM SW, RETURN2 CAM SW TOGGLE, RETURN3 CAM SW, RETURN3 CAM SW TOGGLE, FOCUS POSITION METER, FOCUS POSITION METER MKR1 REG, FOCUS POSITION METER MKR2 REG, FOCUS POSITION METER MKR3 REG, DIGITAL EXTENDER is selected: RET CCU CH SEL When VF DETAIL is selected: VF DETAIL LEVEL or VF DETAIL CRISP When FOCUS ASSIST INDICATOR is selected: FOCUS ASSIST IND GAIN When VF DYNAMIC CONTRAST is selected: DYNAMIC CONTRAST GAIN When DYNAMIC FOCUS is selected: DYNAMIC FOCUS CRISP
	C ROT	ASSIST IND GAIN	

OPERATION			
Page name Page No.	Item	Settings	Description
<EXT SWITCH> 18 *1	RET CTRL CONNECTOR		
	RET1 Pin5:	OFF, <b>RETURN1 SW</b> , RETURN2 SW, RETURN3 SW, INCOM1, INCOM2, EXTENDER, D.EXTENDER, 5600K, VF DETAIL, SPIRIT LEVEL INDICATOR, FOCUS ASSIST INDICATOR, PinP, VF ASSIGN SW1, VF ASSIGN SW2, RET1 SW TOGGLE, RET2 SW TOGGLE, RET3 SW TOGGLE, VTR S/S, TALLY R, TALLY G, TALLY Y, FAN MAX, CURSOR ALL OFF, DYNAMIC FOCUS, FLAG, AWB, CALL, ZOOM(T), ZOOM(W), DYNAMIC CONTRAST	This function works when each pin of the RET CTRL connector contacts with GND (pin 3). TALLY R, TALLY G, TALLY Y are available only when using the camera as a standalone device, and make the tally lamp light. VTR S/S is available only when using the camera as a standalone device, and makes the R tally lamp light. VTR S/S signal is embedded in the video.
	RET2 Pin6:	OFF, RETURN1 SW, <b>RETURN2 SW</b> , RETURN3 SW, INCOM1, INCOM2, EXTENDER, D.EXTENDER, 5600K, VF DETAIL, SPIRIT LEVEL INDICATOR, FOCUS ASSIST INDICATOR, PinP, VF ASSIGN SW1, VF ASSIGN SW2, RET1 SW TOGGLE, RET2 SW TOGGLE, RET3 SW TOGGLE, VTR S/S, TALLY R, TALLY G, TALLY Y, FAN MAX, CURSOR ALL OFF, DYNAMIC FOCUS, FLAG, AWB, CALL, ZOOM(T), ZOOM(W), DYNAMIC CONTRAST	
	RET3 Pin4:	OFF, RETURN1 SW, RETURN2 SW, <b>RETURN3 SW</b> , INCOM1, INCOM2, EXTENDER, D.EXTENDER, 5600K, VF DETAIL, SPIRIT LEVEL INDICATOR, FOCUS ASSIST INDICATOR, PinP, VF ASSIGN SW1, VF ASSIGN SW2, RET1 SW TOGGLE, RET2 SW TOGGLE, RET3 SW TOGGLE, VTR S/S, TALLY R, TALLY G, TALLY Y, FAN MAX, CURSOR ALL OFF, DYNAMIC FOCUS, FLAG, AWB, CALL, ZOOM(T), ZOOM(W), DYNAMIC CONTRAST	
	INCOM1 Pin1:	OFF, RETURN1 SW, RETURN2 SW, RETURN3 SW, <b>INCOM1</b> , INCOM2, EXTENDER, D.EXTENDER, 5600K, VF DETAIL, SPIRIT LEVEL INDICATOR, FOCUS ASSIST INDICATOR, PinP, VF ASSIGN SW1, VF ASSIGN SW2, RET1 SW TOGGLE, RET2 SW TOGGLE, RET3 SW TOGGLE, VTR S/S, TALLY R, TALLY G, TALLY Y, FAN MAX, CURSOR ALL OFF, DYNAMIC FOCUS, FLAG, AWB, CALL, ZOOM(T), ZOOM(W), DYNAMIC CONTRAST	
	INCOM2 Pin2:	OFF, RETURN1 SW, RETURN2 SW, RETURN3 SW, INCOM1, <b>INCOM2</b> , EXTENDER, D.EXTENDER, 5600K, VF DETAIL, SPIRIT LEVEL INDICATOR, FOCUS ASSIST INDICATOR, PinP, VF ASSIGN SW1, VF ASSIGN SW2, RET1 SW TOGGLE, RET2 SW TOGGLE, RET3 SW TOGGLE, VTR S/S, TALLY R, TALLY G, TALLY Y, FAN MAX, CURSOR ALL OFF, DYNAMIC FOCUS, FLAG, AWB, CALL, ZOOM(T), ZOOM(W), DYNAMIC CONTRAST	

**Note**

INCOM1 and INCOM2 are displayed on the UCI model only. ENG and PROD are displayed instead on the CE model.

\*1: See page 53.

OPERATION			
Page name Page No.	Item	Settings	Description
<RETURN> 19	RET1 SW SEL	CCU RET1, CCU RET2, CCU RET3, CCU RET4	The settings that are available increase according to the connected CCU units.
	RET2 SW SEL		
	RET3 SW SEL		
	RET1 SW + RET2 SW	<b>RET1 SW</b> , RET3 SW	Changes operation when you press both the RET1 button and RET2 button at the same time. <b>RET1 SW</b> : The two buttons function as the RET1 button. <b>RET3 SW</b> : The two buttons function as the RET3 button.
<HEADSET MIC> 20 (U11)	INTERCOM1	<b>DYNAMIC</b> , CARBON, MANUAL	
	LEVEL	-60 dBu, -50 dBu, -40 dBu, -30 dBu, -20 dBu, <b>(-60 dBu)</b> , (-50 dBu), (-40 dBu), (-30 dBu), (-20 dBu)	Settings in ( ): With DYNAMIC or CARBON (cannot be changed)
		-6, <b>0</b> , 6 dB	Input gain
	POWER	ON, OFF, (ON), <b>(OFF)</b>	Settings in ( ): With DYNAMIC or CARBON (cannot be changed)
	UNBAL	<b>ON</b> , OFF, (ON), (OFF)	Settings in ( ): With CARBON (cannot be changed)
	INTERCOM2	<b>DYNAMIC</b> , CARBON, MANUAL	
	LEVEL	-60 dBu, -50 dBu, -40 dBu, -30 dBu, -20 dBu, <b>(-60 dBu)</b> , (-50 dBu), (-40 dBu), (-30 dBu), (-20 dBu)	Settings in ( ): With DYNAMIC or CARBON (cannot be changed)
		-6, <b>0</b> , 6 dB	Input gain
	POWER	ON, OFF, (ON), <b>(OFF)</b>	Settings in ( ): With DYNAMIC or CARBON (cannot be changed)
	UNBAL	<b>ON</b> , OFF, (ON), (OFF)	Settings in ( ): With CARBON (cannot be changed)
	EARPHONE	ON, <b>OFF</b>	
	LEVEL	-34 dBu, <b>-40 dBu</b> , -46 dBu	

OPERATION			
Page name Page No.	Item	Settings	Description
<INTERCOM1> 21	RECEIVE SELECT	<b>SEPARATE</b> , MIX	Sets the headset audio. <b>SEPARATE</b> : Set L and R separately. <b>MIX</b> : Set L and R to the same settings.
	INTERCOM	---, <b>LEFT</b> , RIGHT, BOTH	UCJ model only When the Line select / Receive MIX select switch on the operation panel is set to MIX, menu items ENG and PROD appear instead of this item (the setting values are same as this item).
	ENG	---, <b>LEFT</b> , RIGHT, BOTH	CE model: Always displayed.
	PROD	---, <b>LEFT</b> , RIGHT, BOTH	UCJ model: Displayed when the Line select / Receive MIX select switch on the operation panel is set to MIX.
	PGM1	---, LEFT, <b>RIGHT</b> , BOTH	
	PGM2	---, LEFT, <b>RIGHT</b> , BOTH	
	PGM3	---, LEFT, RIGHT, BOTH	
	TRACKER	---, <b>LEFT</b> , RIGHT, BOTH	
	SIDE TONE	MUTE, 1 to 99, <b>50</b>	
	INTERCOM1/2	<b>SEPARATE</b> , MIX	UCJ model: Set to MIX for intercom communication between intercom 1 and intercom 2. When set to MIX, you can receive audio from the other party if the following condition is satisfied. • When the intercom line of the other party (ENG/ PROD) can be received
	MIX TALK	<b>ENG</b> , PROD	UCJ model only When the Line select / Receive MIX select switch on the operation panel is set to MIX, this sets the TALK destination.
	PGM3 VOLUME LINK	<b>PGM1</b> , PGM2, MENU	Sets the adjustment method for PGM3 audio. <b>PGM1</b> : Determined by the PGM1 control of intercom 1 (UCJ model). Determined by the PGM1 control (CE model). <b>PGM2</b> : Determined by the PGM2 control of intercom 1 (UCJ model). Determined by the PGM2 control (CE model). <b>MENU</b> : Determined by menu setting.
	(Blank)	0% to <b>50%</b> to 100%	Displayed only when PGM3 VOLUME LINK is set to MENU.

OPERATION			
Page name Page No.	Item	Settings	Description
<INTERCOM2> 22	RECEIVE SELECT	<b>SEPARATE</b> , MIX	Sets the headset audio. <b>SEPARATE</b> : Set L and R separately. <b>MIX</b> : Set L and R to the same settings.
	INTERCOM	---, <b>LEFT</b> , RIGHT, BOTH	UCJ model only When the Line select / Receive MIX select switch on the operation panel is set to MIX, menu items ENG and PROD appear instead of this item (the setting values are same as this item).
	ENG	---, <b>LEFT</b> , RIGHT, BOTH	CE model: Always displayed.
	PROD	---, <b>LEFT</b> , RIGHT, BOTH	UCJ model: Displayed when the Line select / Receive MIX select switch on the operation panel is set to MIX.
	PGM1	---, LEFT, <b>RIGHT</b> , BOTH	
	PGM2	---, LEFT, <b>RIGHT</b> , BOTH	
	PGM3	---, LEFT, RIGHT, BOTH	
	TRACKER	---, LEFT, RIGHT, BOTH	
	SIDE TONE	MUTE, 1 to 99, <b>50</b>	
	INTERCOM1/2	<b>SEPARATE</b> , MIX	UCJ model: Set to MIX for intercom communication between intercom 1 and intercom 2. When set to MIX, you can receive audio from the other party if the following condition is satisfied. • When the intercom line of the other party (ENG/ PROD) can be received
	MIX TALK	<b>ENG</b> , PROD	UCJ model only When the Line select / Receive MIX select switch on the operation panel is set to MIX, this sets the TALK destination.
	PGM3 VOLUME LINK	<b>PGM1</b> , PGM2, MENU	UCJ model only Sets the adjustment method for PGM3 audio. <b>PGM1</b> : Determined by the PGM1 control of intercom 2. <b>PGM2</b> : Determined by the PGM2 control of intercom 2. <b>MENU</b> : Determined by menu setting.
	(Blank)	0% to <b>50%</b> to 100%	Displayed only when PGM3 VOLUME LINK is set to MENU.

OPERATION			
Page name Page No.	Item	Settings	Description
<TRACKER> 23	RECEIVE SELECT	<b>SEPARATE</b> , MIX	Sets the headset audio. <b>SEPARATE</b> : Set L and R separately. <b>MIX</b> : Set L and R to the same settings.
	[1-LR]		
	INTERCOM	---, <b>LEFT</b> , RIGHT, BOTH	UCJ model only When the INTERCOM1 Line select / Receive MIX select switch on the operation panel is set to MIX, menu items ENG and PROD appear instead of this item (the setting values are same as this item).
	ENG	---, <b>LEFT</b> , RIGHT, BOTH	CE model: Always displayed.
	PROD	---, <b>LEFT</b> , RIGHT, BOTH	UCJ model: Displayed when the INTERCOM1 Line select / Receive MIX select switch on the operation panel is set to MIX.
	PGM1	---, LEFT, <b>RIGHT</b> , BOTH	
	PGM2	---, LEFT, <b>RIGHT</b> , BOTH	
	PGM3	---, LEFT, RIGHT, BOTH	
	[2]		
	INTERCOM	ON, <b>OFF</b>	UCJ model only When the INTERCOM1 Line select / Receive MIX select switch on the operation panel is set to MIX, menu items ENG and PROD appear instead of this item (the setting values are same as this item).
	ENG	ON, <b>OFF</b>	CE model: Always displayed.
	PROD	ON, <b>OFF</b>	UCJ model: Displayed when the INTERCOM1 Line select / Receive MIX select switch on the operation panel is set to MIX.
	PGM1	ON, <b>OFF</b>	
	PGM2	ON, <b>OFF</b>	
	PGM3	ON, <b>OFF</b>	
	INPUT LEVEL	-20 dBu, <b>0 dBu</b> -6 dB, <b>0 dB</b> , 6 dB	
	OUTPUT LEVEL L-CH	<b>0 dBu</b> , -6 dBu, -12 dBu, -18 dBu, -20 dBu, -24 dBu	
	OUTPUT LEVEL R-CH		
	OUTPUT LEVEL 2		

OPERATION				
Page name Page No.	Item	Settings	Description	
<EARPHONE> 24	RECEIVE SELECT	<b>SEPARATE</b> , MIX	Sets the headset audio. <b>SEPARATE</b> : Set L and R separately. <b>MIX</b> : Set L and R to the same settings.	
	INTERCOM	---, <b>LEFT</b> , RIGHT, BOTH	UCJ model only When the intercom Line select / Receive MIX select switch selected by OPERATION LINK on the operation panel is set to MIX, menu items ENG and PROD appear instead of this item (the setting values are same as this item).	
	ENG	---, <b>LEFT</b> , RIGHT, BOTH	CE model: Always displayed.	
	PROD	---, <b>LEFT</b> , RIGHT, BOTH	UCJ model: Displayed when the intercom Line select / Receive MIX select switch selected by OPERATION LINK on the operation panel is set to MIX.	
	PGM1	---, LEFT, <b>RIGHT</b> , BOTH		
	PGM2	---, LEFT, <b>RIGHT</b> , BOTH		
	PGM3	---, LEFT, RIGHT, BOTH		
	TRACKER	---, <b>LEFT</b> , RIGHT, BOTH		
	SIDE TONE	MUTE, 1 to 99, <b>50</b>		
	OPERATION LINK	<b>INCOM1</b> , INCOM2	UCJ model: Selects which intercom to link to the headset microphone on/off control, Line select / Receive MIX switch, MIX TALK setting, and each volume adjustment. CE model: Selects which intercom to link to the headset microphone on/off control and line selection.	
	MIX TALK(INCOM1) or MIX TALK(INCOM2)	<b>ENG</b> , PROD	UCJ model only Displays MIX TALK(INCOM1) when OPERATION LINK is set to INCOM1, and MIX TALK(INCOM2) when set to INCOM2.	
	<OPERATOR FILE> 25	READ (USB → CAM)	Execute using ENTER.	Reads the operator file from a USB drive.
		WRITE (CAM → USB)	Execute using ENTER.	Writes the current settings of the operator file items to a USB drive.
PRESET		Execute using ENTER.	Sets the operator file items to the preset values in internal memory.	

\*1 Observe the following points.

- When you turn D.EXTENDER ON or OFF, noise may be generated. This is not a malfunction. D.EXTENDER does not operate when 4K or 2× speed format is selected.
- TALLY R, TALLY G, and TALLY Y are enabled only in standalone mode.
- When HDLA is attached, VF DETAIL, SPIRIT LEVEL INDICATOR, and FOCUS ASSIST INDICATOR do not function.
- VTR S/S is available only when using the camera as a standalone device, and adds the REC signal to the SDI signal. Pressing this button repeatedly toggles recording on/off. While recording, the tally lamp lights in red.
- An “:N/A” suffix is displayed for disabled items.

# PAINT Menu

PAINT			
Page name Page No.	Item	Settings	Description
<SW STATUS> P01	FLARE	<b>ON</b> , OFF	
	GAMMA	<b>ON</b> , OFF	
	BLK GAM	ON, <b>OFF</b>	
	KNEE	<b>ON</b> , OFF	
	WHT CLIP	<b>ON</b> , OFF	
	DETAIL	<b>ON</b> , OFF	
	LVL DEP	<b>ON</b> , OFF	
	SKIN DTL	ON, <b>OFF</b>	
	MATRIX	ON, <b>OFF</b>	
<VIDEO LEVEL> P02	WHITE	R/G/B: -99 to +99, <b>0</b>	R, G, B, and M (master) values can be independently set. (M cannot be set for WHITE.)
	BLACK	R/G/B/M: -99 to +99, <b>0.0</b>	
	FLARE	R/G/B: -99 to +99, <b>0</b>	
	GAMMA	M: -99.9 to +99.9, <b>0</b>	
	V MOD		
	FLARE	<b>ON</b> , OFF	
	V MOD	<b>ON</b> , OFF	
	TEST	<b>OFF</b> , SAW, 10STEP	
	<COLOR TEMP> P03	WHITE	R/G/B: -99 to +99, <b>0</b>
AUTO WHITE BALANCE		Execute using ENTER.	
COLOR TEMP		0 K to 65535 K, <b>3200 K</b>	
BALANCE		-99 to +99, <b>0</b>	
ATW		ON, <b>OFF</b>	
SPEED		1, <b>2</b> , 3, 4, 5	
MASTER		-3.0 dB to +12.0 dB, <b>0.0 dB</b>	
<GAMMA> P04	LEVEL	R/G/B/M: -99 to +99, <b>0</b>	R, G, B, and M (master) values can be independently set.
	COARSE	0.35 to 0.90 (0.05 steps), <b>0.45</b>	
	TABLE	<b>STANDARD</b> , HYPER, USER	
		1, 2, 3, 4, <b>5</b> , 6, 7	With STANDARD or USER selected (only 1 to 5 are available for USER)
			1: Equivalent to a camcorder 2: ×4.5 gain 3: ×3.5 gain 4: Equivalent to SMPTE-240M 5: Equivalent to ITU-R709 6: ×5.0 gain 7: ×5.0-709
		1, 2, 3, <b>4</b>	With HYPER selected
			1: 325% to 100% 2: 460% to 100% 3: 325% to 109% 4: 460% to 109%
	GAMMA	<b>ON</b> , OFF	
	TEST	<b>OFF</b> , SAW, 10STEP	
<BLACK GAMMA> P05	LEVEL	R/G/B/M: -99 to +99, <b>0</b>	R, G, B, and M (master) values can be independently set.
	RANGE	LOW, L.MID, H.MID, <b>HIGH</b>	
		ON, <b>OFF</b>	
	TEST	<b>OFF</b> , SAW, 10STEP	

PAINT			
Page name Page No.	Item	Settings	Description
<SATURATION> P06	SATURATION	-99 to +99, <u>0</u> ON, <b>OFF</b>	
	LOW KEY SAT	-99 to +99, <u>0</u>	
	RANGE	LOW, L.MID, H.MID, <b>HIGH</b> ON, <b>OFF</b>	
	TEST	<b>OFF</b> , SAW, 10STEP	
<KNEE> P07	K POINT	R/G/B/M: -99 to +99, <u>0</u>	R, G, B, and M (master) values can be independently set. Absolute values are displayed in ABS mode except for M (master).
	K SLOPE	R/G/B/M: -99 to +99, <u>0</u>	
	KNEE	<b>ON</b> , OFF	
	KNEE MAX	ON, <b>OFF</b>	
	KNEE SAT	-99 to +99, <u>0</u> ON, <b>OFF</b>	
	AUTO KNEE	<b>OFF</b> , AUTO, (OFF)	<b>(OFF)</b> : Displayed only for 4K/HDR format (HDC3500 only).
	POINT LIMIT	-99 to +99, <u>0</u>	Absolute value is displayed in ABS mode.
	SLOPE	-99 to +99, <u>0</u>	Absolute value is displayed in ABS mode.
	ABS		Highlighted: ABS (Absolute) mode
	<WHITE CLIP> P08	W CLIP	-99 to +99, <u>0</u> <b>ON</b> , OFF
ABS			Highlighted: ABS (Absolute) mode
<DETAIL 1> P09	DETAIL	<b>ON</b> , OFF	
	LEVEL	-99 to +99, <u>0</u>	Absolute value is displayed in ABS mode.
	HFR RATIO	0 to 199%, <b>100%</b>	Adjustment value in HFR format mode
	LIMITER [M]	-99 to +99, <u>0</u>	
	LIMITER [WHT]	-99 to +99, <u>0</u>	Absolute value is displayed in ABS mode.
	LIMITER [BLK]	-99 to +99, <u>0</u>	Absolute value is displayed in ABS mode.
	CRISP	-99 to +99, <u>0</u>	Absolute value is displayed in ABS mode.
	HFR RATIO	0 to 199%, <b>100%</b>	Adjustment value in HFR format mode
	LEVEL DEPEND	-99 to +99, <u>0</u> <b>ON</b> , OFF	Absolute value is displayed in ABS mode.
	ABS		Highlighted: ABS (Absolute) mode
	<DETAIL 2> P10	H/V RATIO	-99 to +99, <u>0</u>
FREQ		-99 to +99, <u>0</u>	Absolute value is displayed in ABS mode.
MIX RATIO		-99 to +99, <u>0</u>	Absolute value is displayed in ABS mode.
KNEE APT		-99 to +99, <u>0</u> ON, <b>OFF</b>	Absolute value is displayed in ABS mode.
DTL H/V MODE		<b>H/V</b> , V Only	
INDEPENDENT		ON, <b>OFF</b>	
ABS			Highlighted: ABS (Absolute) mode

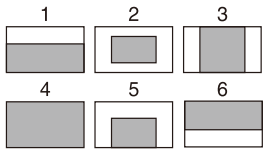
PAINT			
Page name Page No.	Item	Settings	Description
<HD DETAIL> P11	DETAIL	<b>ON</b> , OFF	
	LEVEL	-99 to +99, <b>0</b>	Absolute value is displayed in ABS mode.
	LIMITER [M]	-99 to +99, <b>0</b>	
	LIMITER [WHT]	-99 to +99, <b>0</b>	Absolute value is displayed in ABS mode.
	LIMITER [BLK]	-99 to +99, <b>0</b>	Absolute value is displayed in ABS mode.
	CRISP	-99 to +99, <b>0</b>	Absolute value is displayed in ABS mode.
	LEVEL DEPEND	-99 to +99, <b>0</b>	Absolute value is displayed in ABS mode.
		<b>ON</b> , OFF	
	H/V RATIO	-99 to +99, <b>0</b>	Absolute value is displayed in ABS mode.
	FREQ	-99 to +99, <b>0</b>	Absolute value is displayed in ABS mode.
	MIX RATIO	-99 to +99, <b>0</b>	Absolute value is displayed in ABS mode.
	KNEE APT	-99 to +99, <b>0</b>	Absolute value is displayed in ABS mode.
		<b>ON</b> , <b>OFF</b>	
	ABS		Highlighted: ABS (Absolute) mode
<4K DETAIL> P12	DETAIL	<b>ON</b> , OFF	
	LEVEL	-99 to +99, <b>0</b>	Absolute value is displayed in ABS mode.
	LIMITER [M]	-99 to +99, <b>0</b>	
	LIMITER [WHT]	-99 to +99, <b>0</b>	Absolute value is displayed in ABS mode.
	LIMITER [BLK]	-99 to +99, <b>0</b>	Absolute value is displayed in ABS mode.
	CRISP	-99 to +99, <b>0</b>	Absolute value is displayed in ABS mode.
	LEVEL DEPEND	-99 to +99, <b>0</b>	Absolute value is displayed in ABS mode.
		<b>ON</b> , OFF	
	H/V RATIO	-99 to +99, <b>0</b>	Absolute value is displayed in ABS mode.
	FREQ	-99 to +99, <b>0</b>	Absolute value is displayed in ABS mode.
	MIX RATIO	-99 to +99, <b>0</b>	Absolute value is displayed in ABS mode.
	KNEE APT	-99 to +99, <b>0</b>	Absolute value is displayed in ABS mode.
		<b>ON</b> , <b>OFF</b>	
	ABS		Highlighted: ABS (Absolute) mode
<SKIN DETAIL> P13	SKIN DTL	<b>ON</b> , <b>OFF</b>	
	SKIN GATE	<b>OFF</b> , 1, 2, 3, (MAT)	<b>1, 2, 3</b> : The skin gate function can be turned on for the specified channel only. <b>(MAT)</b> : Displayed when GATE of <MULTI MATRIX> is ON.
	NATURAL SKINDTL	<b>OFF</b> , ON	
	ZOOM LINK	<b>OFF</b> , ON	
	TELE	0 to <b>99</b>	
	WIDE	<b>0</b> to 99	
	CH SW	1: (ON), 2/3: ON, <b>OFF</b>	Sets the skin tone detail function independently for each channel. (Channel 1 is always set to ON.)
	HUE	1/2/3: Execute using ENTER.	
	PHASE	1/2/3: <b>0</b> to 359	
	WIDTH	1/2/3: 0 to 90, <b>29</b>	Absolute values are indicated for LEVEL only in ABS mode.
	SAT	1/2/3: -99 to +99, <b>-89</b>	
	LEVEL	1/2/3: -99 to +99, <b>0</b>	
	Y LIMIT	1/2/3: <b>0</b> to 99	
	ABS		Highlighted: ABS (Absolute) mode

PAINT			
Page name Page No.	Item	Settings	Description
<USER MATRIX> P14	R-G	-99 to +99, <b>0</b>	
	R-B	-99 to +99, <b>0</b>	
	G-R	-99 to +99, <b>0</b>	
	G-B	-99 to +99, <b>0</b>	
	B-R	-99 to +99, <b>0</b>	
	B-G	-99 to +99, <b>0</b>	
	MATRIX	ON, <b>OFF</b>	
	PRESET	---, ON, OFF	
			---, SMPTE-240M, ITU-709, SMPTE-WIDE, NTSC, EBU, ITU-601, CUSTOM1, CUSTOM2, CUSTOM3, CUSTOM4, CUSTOM5
	USER	---, ON, OFF	
	MULTI	---, ON, OFF	
	ADAPTIVE MATRIX	<b>OFF</b> , ON	
	LEVEL	0 to 7, <b>0</b>	
	<MULTI MATRIX> P15	PHASE	<b>0</b> , 23, 45, 68, 90, 113, 135, 158, 180, 203, 225, 248, 270, 293, 315, 338
HUE		-99 to +99, <b>0</b>	
SAT		-99 to +99, <b>0</b>	
ALL CLEAR		Execute using ENTER.	
GATE		ON, <b>OFF</b> , (SKIN)	<b>(SKIN)</b> : Displayed when SKIN GATE of <SKIN DETAIL> is ON.
MATRIX		ON, <b>OFF</b>	
PRESET		---, ON, OFF	
			---, SMPTE-240M, ITU-709, SMPTE-WIDE, NTSC, EBU, ITU-601, CUSTOM1, CUSTOM2, CUSTOM3, CUSTOM4, CUSTOM5
USER		---, ON, OFF	
MULTI		---, ON, OFF	

PAINT			
Page name Page No.	Item	Settings	Description
<SHUTTER> P16	SHUTTER	ON, <b>OFF</b> , (ON), (OFF)	Settings in ( ): When a remote control unit/panel or a CCU is not connected (cannot be changed)
		59.94i: <b>1/100</b> , 1/125, 1/250, 1/500, 1/1000, 1/2000 50i: 1/60, <b>1/125</b> , 1/250, 1/500, 1/1000, 1/2000 29.97PsF: 1/40, 1/60, 1/100, 1/120, 1/125, 1/250, 1/500, 1/1000, 1/2000 25PsF: 1/33, 1/50, 1/100, 1/125, 1/250, 1/500, 1/1000, 1/2000 24PsF/23.98PsF: 1/32, 1/48, 1/96, 1/100, 1/125, 1/250, 1/500, 1/1000, 1/2000 59.94P: 1/100, 1/125, 1/250, 1/500, 1/1000, 1/2000 50P: 1/60, 1/125, 1/250, 1/500, 1/1000, 1/2000	Step shutter selection
	ECS FREQ	59.94i: <b>59.96</b> to 4300 Hz 50i: 50.00 to 4700 Hz 29.97PsF: 29.97 to 2700 Hz 25PsF: 25.00 to 2300 Hz 24PsF/23.98PsF: 24.00 to 2200 Hz 59.94P: 59.96 to 4600 Hz 50P: 50.03 to 4600 Hz	
<NOISE SUPPRESSION> P17	SUPPRESSION	<b>0</b> to 100% ON, <b>OFF</b>	
<FLICKER REDUCTION> P18	REDUCTION	ON, <b>OFF</b> , (OFF)	<b>(OFF)</b> : Displayed for normal speed formats other than HFR.
			<b>Note</b> When you turn REDUCTION ON or OFF, noise may be generated. This is not a malfunction.
	POWER LINE FREQUENCY	<b>50 Hz</b> , 60 Hz	Specifies the frequency of the lighting power source.
	MODE	<b>STANDARD</b> , ACM, (OFF)	<b>STANDARD</b> : Corrects flicker without adding an image. <b>ACM</b> : Corrects flicker by adding images. <b>(OFF)</b> : Displayed for normal speed formats other than HFR.
	GAIN	-99 to +99, <b>0</b>	Enabled only when STANDARD is selected. Sets the correction gain.
	OFFSET	<b>0</b> to 99	Enabled only when STANDARD is selected. Sets the brightness level that invokes correction.
	ACM TYPE	<b>1</b> , 2, 3, 4	Enabled only when ACM is selected. Selects the combination of frames to add. More frames are added as the value increases.

PAINT				
Page name Page No.	Item	Settings	Description	
<HDR OPERATION> P19	HDR MODE	<b>OFF</b> , LIVE HDR	Displays the CCU setting.	
	SDR GAIN	0.0 to -15 dB, <b>-6.0 dB</b>	Enabled only when LIVE HDR is selected. Gain setting applied to the SDR output.	
	HDR CONTRAST	100 to 566%, <b>200%</b>	Enabled only when LIVE HDR is selected. HDR output contrast ensured by setting SDR GAIN (display only).	
	HDR BLACK OFFSET	-30.0 to 30.0, <b>0.0</b>	Enabled only when LIVE HDR is selected. HDR output black offset	
	HDR KNEE	<b>OFF</b> , ON	Enabled only when LIVE HDR is selected.	
	POINT	-99 to 99, <b>0</b>	KNEE setting applied for HDR	
	SLOPE	-99 to 99, <b>0</b>		
	HDR WHITE CLIP	<b>OFF</b> , ON	Enabled only when LIVE HDR is selected.	
	LEVEL	-99 to 99, <b>0</b>		
	HDR BLACK CLIP	<b>OFF</b> , ON	Enabled only when LIVE HDR is selected. Sets whether to clip at 0% and lower in the HDR output. Set to OFF (fixed) when <OUTPUT FORMAT> → FREQUENCY → OETF is set to S-Log3.	
	HDR BLACK COMPRESSION	<b>OFF</b> , ON	Enabled only when LIVE HDR is selected. Sets whether to compress low-luminance areas in the HDR output.	
	<SCENE FILE> P20	1		Stores and reads scene files (paint data):
		2		When storing a file in camera memory, specify the number before executing STORE.
		3		When reading, only specify the number.
		4		
5				
STORE		Execute using ENTER.		
01		<b>01</b> to 32		
STANDARD		Execute using ENTER.	Reads the standard paint data.	
READ (USB → CAM)		Execute using ENTER.	Loads 32 scene files from a USB drive to internal memory.	
WRITE (CAM → USB)		Execute using ENTER.	Writes 32 scene files in the camera's memory to a USB drive.	
FILE ID		Max. 14 characters	Enters a comment for the scene files to be written to a USB drive. See "To specify a character string" (page 30).	
CAM CODE		Camera code	Display only	
DATE		Date	Display only	
DISSOLVE		<b>OFF</b> , ON	Switches scene files seamlessly.	
SPEED		0.2 to 2.8 (0.2 steps), 3 to 10 (1 steps), <b>0.2</b>		

# MAINTENANCE Menu

MAINTENANCE			
Page name Page No.	Item	Settings	Description
<AUTO SETUP> M01	AUTO BLACK	Execute using ENTER.	
	AUTO WHITE	Execute using ENTER.	
	AUTO LEVEL	Execute using ENTER.	
	TEST	<b>OFF</b> , SAW, 10STEP	
<WHITE SHADING> M02	V SAW	R/G/B: -99 to +99, <b>0</b>	R, G, and B values can be independently set.
	V PARA	R/G/B: -99 to +99, <b>0</b>	
	H SAW	R/G/B: -99 to +99, <b>0</b>	
	H PARA	R/G/B: -99 to +99, <b>0</b>	
	WHITE	R/G/B: -99 to +99, <b>0</b>	
<BLACK SHADING> M03	V SAW	R/G/B: -99 to +99, <b>0</b>	R, G, and B values can be independently set. M (master) value can also be set for BLACK.
	V PARA	R/G/B: -99 to +99, <b>0</b>	
	H SAW	R/G/B: -99 to +99, <b>0</b>	
	H PARA	R/G/B: -99 to +99, <b>0</b>	
	BLK SET	R/G/B: -99 to +99, <b>0</b>	
	BLACK	R/G/B: -99 to +99, <b>0</b> M: -99.9 to +99.9, <b>0.0</b>	
	MASTER GAIN	-6, -3, <b>0</b> , 3, 6, 9, 12 dB	
<OHB MATRIX> M04	OHB MATRIX	<b>ON</b> , OFF	
	MATRIX	ON, <b>OFF</b>	
<AUTO IRIS> M05	AUTO IRIS	ON, <b>OFF</b> , (ON), (OFF)	Settings in ( ): When a remote control unit/panel or a CCU is not connected (cannot be changed)
	WINDOW	<b>1</b> , 2, 3, 4, 5, 6	Selects the auto iris windows: 
			The shaded parts indicate the area where light detection occurs.
	OVERRIDE	-99 to 99, <b>0</b> , ---	Sets the override to temporarily change the reference value for brightness of the automatic iris level in the range of ±2 steps: -99: Two steps to fully closed iris. 99: Two steps to fully opened iris. ---: OFF The setting returns to "---" when the power is turned off.
	IRIS LEVEL	-99 to +99, <b>0</b>	±4 steps
	APL RATIO	-99 to +99, <b>65</b>	
	IRIS GAIN	-99 to +99, <b>0</b>	
IRIS CLOSE	ON, <b>OFF</b>		

MAINTENANCE				
Page name Page No.	Item	Settings	Description	
<LENS1> M06	F NO. DISP	<b>CONTROL</b> , RETURN	Selects the iris indication on the panel when AUTO IRIS is off: <b>CONTROL</b> : Displays the value from the camera. <b>RETURN</b> : Displays the value returned from the lens. (When AUTO IRIS is on, the value returned from the lens is always displayed.)	
	AF DISPLAY	ON, <b>OFF</b>		
	ALAC	<b>AUTO</b> , OFF	With AUTO selected, the status is displayed at the right. (ACTIVE): Compensation is in progress. (WAIT): Waiting for completion of lens initialization. (STOP): Compensation is turned off for a non-applicable lens.	
	F DROP COMP	<b>OFF</b> , ON, (OFF)	Turns F drop compensation on/off. During compensation, the compensation gain is displayed on the right. (OFF): For when a serial lens is not attached.	
	MAX GAIN	<b>0.0</b> to 24.0 dB	Maximum compensation value	
	DROP POINT	0 to 99, <b>50</b>	Compensation start point	
	ROUNDNESS	<b>0.0</b> to 12.0 dB	Roundness of the compensation curve.	
	STORE LENS FILE	Execute using ENTER.	Saves settings to a lens file.	
	ARIA	AUTO, <b>OFF</b>	With AUTO selected, the status is displayed at the right. (ACTIVE): Compensation is in progress. (WAIT): Waiting for completion of lens initialization. (STOP): Compensation is turned off for a non-applicable lens.	
	GAIN LIMIT	0 to 12 dB, <b>OFF</b>		
	<LENS2> M07	REMOTE CONTROL	<b>OFF</b> , ON, (OFF)	Lens remote control from MSU/RCP on/off setting. Same function as the Active button on the Zoom/Focus Control screen of the MSU/RCP. (OFF): When lens is not supported
CONTROL MODE		<b>ZOOM&amp;FOCUS</b> , FOCUS, FOLLOW FOCUS	<b>ZOOM&amp;FOCUS</b> : Control ZOOM and FOCUS from an MSU/RCP (control by lens demand is not supported) <b>FOCUS</b> : Control FOCUS from an MSU/RCP. ZOOM is controlled by lens demand. <b>FOLLOW FOCUS</b> : FOCUS is controlled by lens demand, but can be adjusted (offset fine adjustment) from an MSU/RCP. ZOOM is controlled by lens demand.	
<b>Note</b>				
Settings other than FOLLOW FOCUS cannot be modified when the offset is not 0 and REMOTE CONTROL is OFF. To change settings, set REMOTE CONTROL to ON.				
FOLLOW FOCUS				
OFFSET ADJUST SENS		1, 2, <b>3</b> , 4, 5	Sets the sensitivity of superimposing the offset of the MSU.	
OFFSET CANCEL GAIN		1, 2, <b>3</b> , 4, 5	Sets the sensitivity of canceling the offset on the demand side.	
<MIC GAIN> M08		MIC1	20, 30, 40, 50, <b>60</b> dB	Can be modified only in standalone operation.
		MIC2	20, 30, 40, 50, <b>60</b> dB	

MAINTENANCE				
Page name Page No.	Item	Settings	Description	
<CAMERA NUMBER> M09	CAMERA NUMBER	---, 1 to 96	Sets the camera number.	
	CCU LINK	<b>OFF</b> , ON	Turns the link with the CCU No. on/off. When on, you can set the camera number from the CCU.	
	OUTSIDE DISPLAY			
	CAMERA NUMBER	<b>OFF</b> , ON	Turns the camera number display on the side panel on/off.	
	X	-100 to 100, <b>0</b>	Sets the text position of the camera number (0: center position)	
	Y	-100 to 100, <b>0</b>	Sets the text position of the camera number (0: center position)	
	SIZE	0 to 150, <b>100</b>	Sets the text size of the camera number.	
	BACK GROUND	BLACK, WHITE, LOGO		Sets the background color. <b>LOGO</b> : Set imported logo as the background.
		READ LOGO		Import logo data (BMP file) to use for the background color. To import logo data into the camera, prepare monochrome 200×200 pixel data. Change the file name of the data to "logo.bmp", copy the file to a USB drive, connect the drive to the unit, and then select READ LOGO in the menu.
		DELETE LOGO		Deletes the configured logo data.
	<CALL/TALLY> M10	CCU CALL	OFF, <b>ON</b>	Selects whether TALLY lights for CALL signal.
		CAM CALL	<b>OFF</b> , ON	
		HDLA UP TALLY		
TALLY BRIGHTNESS		0 to 100, <b>50</b>		
NUMBER BRIGHTNESS		0 to 100, <b>50</b>		
NUMBER DISPLAY		<b>AUTO</b> , OFF, ON		
OUTSIDE LED				
MODE		OFF, <b>TALLY</b> , LIGHT	<b>TALLY</b> : Function as a tally. <b>LIGHT</b> : Function as a light.	
BRIGHTNESS		0 to 100, <b>50</b>	Sets the brightness of the LED.	
TALLY GUARD				
EXTENDER		<b>OFF</b> , ON		
FILTER DISC	<b>OFF</b> , ON			
<OUTPUT FORMAT> M11 (U12)	CURRENT	Display only	Displays the current format.	
	RESOLUTION	3840×2160, <b>1920×1080</b>	Not displayed when a CCU is connected.	
	FREQUENCY	59.94P, 50P	System format settings (The selectable system formats vary depending on camera operating software options.)	
	OETF	<b>SDR</b> , S-Log3, HLG_Live, HLG_BT.2100	Not displayed when a CCU is connected. Camera OETF setting	
	COLOR	<b>BT.709</b> , BT.2020	Not displayed when a CCU is connected. Camera color space setting	
	BIT DEPTH	<b>10bit</b> , 12bit	Not displayed when a CCU is connected. Can be selected for RGB 444 only.	

MAINTENANCE				
Page name Page No.	Item	Settings	Description	
<TEST OUT> M12 (U13)	OUTPUT	Display only	Displays the current format.	
	VBS-OUT		Displayed when OUTPUT is set to VBS.	
	CHARACTER	ON, <b>OFF</b>		
	GAIN	-99 to +99, <b>0</b>		
	CHROMA	-99 to +99, <b>0</b>		
	SETUP	<b>OFF</b> , ON		
	DOWN CONVERTER		Displayed when OUTPUT is set to VBS.	
	SELECT	<b>MAIN</b> , RET, VF		
	ASPECT	<b>SQ</b> , EC	Displayed when OUTPUT is set to VBS (NTSC).	
	SYNC-OUT		Displayed when OUTPUT is set to SD-SYNC or HD-SYNC.	
	V-PHASE	-999 to +999, <b>0</b>		
	H-PHASE	-999 to +999, <b>0</b>		
	<SDI OUT> M13 (U14)	SDI-1	<i>See "SDI output format with master frequency of 1/1.001" (page 64).</i>	Sets the SDI-1 and SDI-2 output formats.
		SDI-2		
SDI-MONI OUT		MAIN, <b>VE</b> , RET, SD-SDI, OFF		
CHARACTER		ON, <b>OFF</b>	Displayed when SDI-MONI OUT is not set to VF.	
EMB AUDIO		<b>OFF</b> , MIC, PGM		
DOWN CONVERTER			Displayed when SDI-MONI OUT is set to SD-SDI.	
SELECT		<b>MAIN</b> , RET, VF		
ASPECT		<b>SQ</b> , EC		
<TRUNK> M14	TRUNK	<b>ON</b> , OFF		
	INTERFACE	<b>232c</b> , 422A		
	AUX REMOTE		Display only	
	NETWORK TRUNK		Display only	
	LINK			
<GENLOCK> M15	REFERENCE	Synchronization status	Display only	
	GENLOCK	<b>ENABLE</b> , DISABLE	Not displayed when a CCU is connected.	
	STATUS			
	FORMAT			
	PHASE			
	V	-1024 to 1023, <b>0</b>		
	H	-1700 to 1700, <b>0</b>		
<DATE> M16	DATE/TIME	2000 to 2035/01 to 12/00 to 31 00 to 23: 00 to 59		
	DATE FORMAT	1 Y/Mn/D, 2 Mn/D, 3 D/M/Y 4 D/M, <b>5 M/D/Y</b> , 6 M/D	<b>Y</b> : Year <b>Mn</b> : Month (numeric) <b>M</b> : Month (English abbreviation) <b>D</b> : Day	
<BATTERY ALARM> M17	BEFORE END	<b>11.5</b> to 17.0 V		
	END	<b>11.0</b> to 11.5 V		
<SIMPLE PROTOCOL> M18	TRANSPORT CONVERTER MODE	<b>DISABLE</b> , ENABLE	Enables transport conversion mode to enable camera control using transmission lines/networks with high latency, such as wireless transmission.	
	PORT	<b>REMOTE(RS-422A)</b> , CRANE(RS-422A), CRANE(RS-232C), WIRELESS SIDE PANEL(RS-422A), WIRELESS SIDE PANEL(RS-232C)	Sets the port to enable for transport conversion mode.  WIRELESS SIDE PANEL(RS-422A) or WIRELESS SIDE PANEL(RS-232C) can be selected only when an HKC-WL50 Wireless Transmission Adaptor is installed.	
	BAUDRATE	9.6kbps to 843.75kbps, <b>115.2kbps</b>	Communication speed	

MAINTENANCE			
Page name Page No.	Item	Settings	Description
<OTHERS> M19	FAN MODE	OFF, <b>AUTO1</b> , AUTO2, MIN, MAX	<b>AUTO1</b> : Normal rotation <b>AUTO2</b> : Slow rotation
	CAM BARS	ON, <b>OFF</b> , (OFF)	<b>(OFF)</b> : Displayed only for 4K/HDR format.
	WHITE SETUP MODE	AWB, <b>A.LVL</b>	
	STANDALONE PAINT SWITCH	<b>OFF</b> , ON	When set to ON, disables operation of the unit's switches, such as the WHITE BAL switch, even when a CCU or control panel is not connected.
	HD DOWNCONV FILTER	<b>1</b> , 2, 3, 4, 1(V0.3), 1(V0.6), (4)	<b>(4)</b> : Displayed only for 4K/HDR format.
<OPTION KEY> M20	READ (USB → CAM)	Execute using ENTER.	Reads the install key from a USB drive.
	EFFECTIVE FUNCTION		Displayed only when option function is installed.

### SDI output format with master frequency of 1/1.001

The following table shows the SDI output formats when the master frequency is 1/1.001.

The SDI output format will vary depending on the combination of camera model, transmission adaptor, and camera operating software.

#### 1. Using HDC5500 or HDC3500 with HKC-CN50 and HKC-FB50 installed

<Standard format>

SYSTEM FORMAT		HDR/ SDR	OUTPUT FORMAT			
RESOLUTION	FREQUENCY		OETF	SDI-1		SDI-2
			Settings	Output formats	Settings	Output formats
1920×1080	59.94P	S-Log3 HLG	<b>OFF</b>	–	<b>OFF</b>	–
			HD/3G-A/HDR	1920×1080/59.94P	HD/3G-A/HDR	1920×1080/59.94P
			HD/3G-A/SDR	1920×1080/59.94P	HD/3G-A/SDR	1920×1080/59.94P
			HD/3G-B/HDR	1920×1080/59.94P	HD/3G-B/HDR	1920×1080/59.94P
			HD/3G-B/SDR	1920×1080/59.94P	HD/3G-B/SDR	1920×1080/59.94P
			HD/1.5G/SDR	1920×1080/59.94i	HD/1.5G/SDR	1920×1080/59.94i
			UHD PROMPTER	–	UHD TRUNK(12G) IN <sup>*1*2</sup>	–
		SDR	<b>OFF</b>	–	<b>OFF</b>	–
			HD/3G-A/SDR	1920×1080/59.94P	HD/3G-A/SDR	1920×1080/59.94P
			HD/3G-B/SDR	1920×1080/59.94P	HD/3G-B/SDR	1920×1080/59.94P
			HD/1.5G/SDR	1920×1080/59.94i	HD/1.5G/SDR	1920×1080/59.94i
			UHD PROMPTER	–	UHD TRUNK(12G) IN <sup>*1*2</sup>	–
					UHD TRUNK(6G) IN <sup>*1*2</sup>	–
					UHD TRUNK(3G) IN <sup>*1*2</sup>	–
		HD/UHD TRUNK(1.5G) IN <sup>*2</sup>	–			
		HD RETURN IN <sup>*3</sup>	–			

\*1 Can be selected only when NETWORK TRUNK > DATA RATE (setting on the CCU) is set to 100Mbps.

\*2 Can be selected only when a CCU is connected.

\*3 Can be selected only in standalone operation.

<When HZC-PSF50/PSF50M/PSF50W is installed>

SYSTEM FORMAT		HDR/SDR	OUTPUT FORMAT			
RESOLUTION	FREQUENCY		OETF	SDI-1		SDI-2
			Settings	Output formats	Settings	Output formats
1920×1080	29.97PsF	S-Log3 HLG	<b>OFF</b> HD/1.5G/HDR HD/1.5G/SDR UHD PROMPTER	– 1920×1080/29.97PsF 1920×1080/29.97PsF –	<b>OFF</b> HD/1.5G/HDR HD/1.5G/SDR UHD TRUNK(12G) IN <sup>*1*2</sup> UHD TRUNK(6G) IN <sup>*1*2</sup> UHD TRUNK(3G) IN <sup>*1*2</sup> HD/UHD TRUNK(1.5G) IN <sup>*2</sup> HD RETURN IN <sup>*3</sup>	– 1920×1080/29.97PsF 1920×1080/29.97PsF – – – – –
		SDR	<b>OFF</b> HD/1.5G/SDR UHD PROMPTER	– 1920×1080/29.97PsF –	<b>OFF</b> HD/1.5G/SDR UHD TRUNK(12G) IN <sup>*1*2</sup> UHD TRUNK(6G) IN <sup>*1*2</sup> UHD TRUNK(3G) IN <sup>*1*2</sup> HD/UHD TRUNK(1.5G) IN <sup>*2</sup> HD RETURN IN <sup>*3</sup>	– 1920×1080/29.97PsF – – – – –
	23.98PsF	S-Log3 HLG	<b>OFF</b> HD/1.5G/HDR HD/1.5G/SDR UHD PROMPTER	– 1920×1080/23.98PsF 1920×1080/23.98PsF –	<b>OFF</b> HD/1.5G/HDR HD/1.5G/SDR UHD TRUNK(12G) IN <sup>*1*2</sup> UHD TRUNK(6G) IN <sup>*1*2</sup> UHD TRUNK(3G) IN <sup>*1*2</sup> HD/UHD TRUNK(1.5G) IN <sup>*2</sup> HD RETURN IN <sup>*3</sup>	– 1920×1080/23.98PsF 1920×1080/23.98PsF – – – – –
		SDR	<b>OFF</b> HD/1.5G/SDR UHD PROMPTER	– 1920×1080/23.98PsF –	<b>OFF</b> HD/1.5G/SDR UHD TRUNK(12G) IN <sup>*1*2</sup> UHD TRUNK(6G) IN <sup>*1*2</sup> UHD TRUNK(3G) IN <sup>*1*2</sup> HD/UHD TRUNK(1.5G) IN <sup>*2</sup> HD RETURN IN <sup>*3</sup>	– 1920×1080/23.98PsF – – – – –
	29.97PsF(444) (HZC-UG50 is required)	SDR (fixed)	<b>OFF</b> HD/3G-B/SDR UHD PROMPTER	– 1920×1080/29.97PsF(444) –	<b>OFF</b> HD/3G-B/SDR UHD TRUNK(12G) IN <sup>*1*2</sup> UHD TRUNK(6G) IN <sup>*1*2</sup> UHD TRUNK(3G) IN <sup>*1*2</sup> HD/UHD TRUNK(1.5G) IN <sup>*2</sup> HD RETURN IN <sup>*3</sup>	– 1920×1080/29.97PsF(444) – – – – –
	23.98PsF(444) (HZC-UG50 is required)	SDR (fixed)	<b>OFF</b> HD/3G-B/SDR UHD PROMPTER	– 1920×1080/23.98PsF(444) –	<b>OFF</b> HD/3G-B/SDR UHD TRUNK(12G) IN <sup>*1*2</sup> UHD TRUNK(6G) IN <sup>*1*2</sup> UHD TRUNK(3G) IN <sup>*1*2</sup> HD/UHD TRUNK(1.5G) IN <sup>*2</sup> HD RETURN IN <sup>*3</sup>	– 1920×1080/23.98PsF(444) – – – – –

\*1 Can be selected only when NETWORK TRUNK > DATA RATE (setting on the CCU) is set to 100Mbps.

\*2 Can be selected only when a CCU is connected.

\*3 Can be selected only in standalone operation.

<When HZC-HFR50/HFR50M/HFR50W/HFR50P is installed>

SYSTEM FORMAT		HDR/ SDR	OUTPUT FORMAT			
RESOLUTION	FREQUENCY		OETF	SDI-1		SDI-2
			Settings	Output formats	Settings	Output formats
1920×1080	59.94P(2×)	S-Log3 HLG	<b>OFF</b>	–	<b>OFF</b>	–
			HD/12G/HDR/HFR	1920×1080/59.94P/Link A-B	HD/12G/HDR/HFR	1920×1080/59.94P/Link A-B
		HD/3G-A/HDR/HFR	1920×1080/59.94P/Link A	HD/3G-A/HDR/HFR	1920×1080/59.94P/Link B	
		HD/3G-B/HDR/HFR	1920×1080/59.94P/Link A	HD/3G-B/HDR/HFR	1920×1080/59.94P/Link B	
			HD/3G-A/SDR	1920×1080/59.94P	HD/3G-A/SDR	1920×1080/59.94P
			HD/3G-B/SDR	1920×1080/59.94P	HD/3G-B/SDR	1920×1080/59.94P
			HD/1.5G/SDR	1920×1080/59.94i	HD/1.5G/SDR	1920×1080/59.94i
			UHD PROMPTER	–	UHD TRUNK(12G) IN <sup>*1,2</sup>	–
					UHD TRUNK(6G) IN <sup>*1,2</sup>	–
					UHD TRUNK(3G) IN <sup>*1,2</sup>	–
					HD/UHD TRUNK(1.5G) IN <sup>*2</sup>	–
					HD RETURN IN <sup>*3</sup>	–
		SDR	<b>OFF</b>	–	<b>OFF</b>	–
			HD/12G/SDR/HFR	1920×1080/59.94P/Link A-B	HD/12G/SDR/HFR	1920×1080/59.94P/Link A-B
			HD/3G-A/SDR/HFR	1920×1080/59.94P/Link A	HD/3G-A/SDR/HFR	1920×1080/59.94P/Link B
			HD/3G-B/SDR/HFR	1920×1080/59.94P/Link A	HD/3G-B/SDR/HFR	1920×1080/59.94P/Link B
			HD/3G-B/SDR/HFR(i)	1920×1080/59.94i/Link A-B	HD/3G-B/SDR/HFR(i)	1920×1080/59.94i/Link A-B
			HD/3G-A/SDR	1920×1080/59.94P	HD/3G-A/SDR	1920×1080/59.94P
			HD/3G-B/SDR	1920×1080/59.94P	HD/3G-B/SDR	1920×1080/59.94P
			HD/1.5G/SDR	1920×1080/59.94i	HD/1.5G/SDR	1920×1080/59.94i
			UHD PROMPTER	–	UHD TRUNK(12G) IN <sup>*1,2</sup>	–
					UHD TRUNK(6G) IN <sup>*1,2</sup>	–
					UHD TRUNK(3G) IN <sup>*1,2</sup>	–
					HD/UHD TRUNK(1.5G) IN <sup>*2</sup>	–
					HD RETURN IN <sup>*3</sup>	–
	59.94P(3×)	S-Log3 HLG	<b>OFF</b>	–	<b>OFF</b>	–
			HD/12G/HDR/HFR	1920×1080/59.94P/Link A-C	HD/12G/HDR/HFR	1920×1080/59.94P/Link A-C
		HD/3G-A/SDR	1920×1080/59.94P	HD/3G-A/SDR	1920×1080/59.94P	
		HD/3G-B/SDR	1920×1080/59.94P	HD/3G-B/SDR	1920×1080/59.94P	
			HD/1.5G/SDR	1920×1080/59.94i	HD/1.5G/SDR	1920×1080/59.94i
			UHD PROMPTER	–	UHD TRUNK(12G) IN <sup>*1,2</sup>	–
					UHD TRUNK(6G) IN <sup>*1,2</sup>	–
					UHD TRUNK(3G) IN <sup>*1,2</sup>	–
					HD/UHD TRUNK(1.5G) IN <sup>*2</sup>	–
					HD RETURN IN <sup>*3</sup>	–
		SDR	<b>OFF</b>	–	<b>OFF</b>	–
			HD/12G/SDR/HFR	1920×1080/59.94P/Link A-C	HD/12G/SDR/HFR	1920×1080/59.94P/Link A-C
			HD/3G-A/SDR	1920×1080/59.94P	HD/3G-A/SDR	1920×1080/59.94P
			HD/3G-B/SDR	1920×1080/59.94P	HD/3G-B/SDR	1920×1080/59.94P
			HD/1.5G/SDR	1920×1080/59.94i	HD/1.5G/SDR	1920×1080/59.94i
			UHD PROMPTER	–	UHD TRUNK(12G) IN <sup>*1,2</sup>	–
					UHD TRUNK(6G) IN <sup>*1,2</sup>	–
					UHD TRUNK(3G) IN <sup>*1,2</sup>	–
					HD/UHD TRUNK(1.5G) IN <sup>*2</sup>	–
					HD RETURN IN <sup>*3</sup>	–

SYSTEM FORMAT		HDR/ SDR	OUTPUT FORMAT			
RESOLUTION	FREQUENCY		OETF	SDI-1		SDI-2
			Settings	Output formats	Settings	Output formats
1920×1080	59.94P(4×)	S-Log3 HLG	<b>OFF</b> HD/12G/HDR/HFR HD/3G-A/SDR HD/3G-B/SDR HD/1.5G/SDR UHD PROMPTER	– 1920×1080/59.94P/Link A-D 1920×1080/59.94P 1920×1080/59.94P 1920×1080/59.94i –	<b>OFF</b> HD/12G/HDR/HFR HD/3G-A/SDR HD/3G-B/SDR HD/1.5G/SDR UHD TRUNK(12G) IN <sup>*1,2</sup> UHD TRUNK(6G) IN <sup>*1,2</sup> UHD TRUNK(3G) IN <sup>*1,2</sup> HD/UHD TRUNK(1.5G) IN <sup>*2</sup> HD RETURN IN <sup>*3</sup>	– 1920×1080/59.94P/Link A-D 1920×1080/59.94P 1920×1080/59.94P 1920×1080/59.94P 1920×1080/59.94i –
			SDR	<b>OFF</b> HD/12G/SDR/HFR HD/3G-A/SDR HD/3G-B/SDR HD/1.5G/SDR UHD PROMPTER	– 1920×1080/59.94P/Link A-D 1920×1080/59.94P 1920×1080/59.94P 1920×1080/59.94i –	<b>OFF</b> HD/12G/SDR/HFR HD/3G-A/SDR HD/3G-B/SDR HD/1.5G/SDR UHD TRUNK(12G) IN <sup>*1,2</sup> UHD TRUNK(6G) IN <sup>*1,2</sup> UHD TRUNK(3G) IN <sup>*1,2</sup> HD/UHD TRUNK(1.5G) IN <sup>*2</sup> HD RETURN IN <sup>*3</sup>
	59.94P(6×)	All	<b>OFF</b>	–	<b>OFF</b>	–
	59.94P(8×)	All	<b>OFF</b>	–	<b>OFF</b>	–
3840×2160	59.94P(2×) (HZC-UHD50 is required)	S-Log3 HLG	<b>OFF</b> 4K/12G/HDR/HFR 4K/12G/HDR HD/3G-A/SDR HD/3G-B/SDR HD/1.5G/SDR UHD PROMPTER	– 3840×2160/59.94P/Link A 3840×2160/59.94P 1920×1080/59.94P 1920×1080/59.94P 1920×1080/59.94i –	<b>OFF</b> 4K/12G/HDR/HFR 4K/12G/HDR HD/3G-A/SDR HD/3G-B/SDR HD/1.5G/SDR HD/UHD TRUNK(1.5G) IN <sup>*2</sup> HD RETURN IN <sup>*3</sup>	– 3840×2160/59.94P/Link B 3840×2160/59.94P 1920×1080/59.94P 1920×1080/59.94P 1920×1080/59.94P –
			SDR	<b>OFF</b> 4K/12G/SDR/HFR 4K/12G/SDR HD/3G-A/SDR HD/3G-B/SDR HD/1.5G/SDR UHD PROMPTER	– 3840×2160/59.94P/Link A 3840×2160/59.94P 1920×1080/59.94P 1920×1080/59.94P 1920×1080/59.94i –	<b>OFF</b> 4K/12G/SDR/HFR 4K/12G/SDR HD/3G-A/SDR HD/3G-B/SDR HD/1.5G/SDR HD/UHD TRUNK(1.5G) IN <sup>*2</sup> HD RETURN IN <sup>*3</sup>

\*1 Can be selected only when NETWORK TRUNK > DATA RATE (setting on the CCU) is set to 100Mbps.

\*2 Can be selected only when a CCU is connected.

\*3 Can be selected only in standalone operation.

<When HZC-DFR50/DFR50M/DFR50W is installed>

SYSTEM FORMAT		HDR/ SDR	OUTPUT FORMAT			
RESOLUTION	FREQUENCY		OETF	SDI-1		SDI-2
			Settings	Output formats	Settings	Output formats
1920×1080	59.94P(2×)	S-Log3	<b>OFF</b>	–	<b>OFF</b>	–
		HLG	HD/12G/HDR/HFR 1920×1080/59.94P/Link A-B HD/3G-A/HDR/HFR 1920×1080/59.94P/Link A HD/3G-B/HDR/HFR 1920×1080/59.94P/Link A HD/3G-A/SDR 1920×1080/59.94P HD/3G-B/SDR 1920×1080/59.94P HD/1.5G/SDR 1920×1080/59.94i UHD PROMPTER –	HD/12G/HDR/HFR 1920×1080/59.94P/Link A-B HD/3G-A/HDR/HFR 1920×1080/59.94P/Link A HD/3G-B/HDR/HFR 1920×1080/59.94P/Link B HD/3G-A/SDR 1920×1080/59.94P HD/3G-B/SDR 1920×1080/59.94P HD/1.5G/SDR 1920×1080/59.94i UHD TRUNK(12G) IN <sup>*1*2</sup> – UHD TRUNK(6G) IN <sup>*1*2</sup> – UHD TRUNK(3G) IN <sup>*1*2</sup> – HD/UHD TRUNK(1.5G) IN <sup>*2</sup> – HD RETURN IN <sup>*3</sup> –		
		SDR	<b>OFF</b>	–	<b>OFF</b>	–
			HD/12G/SDR/HFR 1920×1080/59.94P/Link A-B HD/3G-A/SDR/HFR 1920×1080/59.94P/Link A HD/3G-B/SDR/HFR 1920×1080/59.94P/Link A HD/3G-B/SDR/HFR(i) 1920×1080/59.94i/Link A-B HD/3G-A/SDR 1920×1080/59.94P HD/3G-B/SDR 1920×1080/59.94P HD/1.5G/SDR 1920×1080/59.94i UHD PROMPTER –	HD/12G/SDR/HFR 1920×1080/59.94P/Link A-B HD/3G-A/SDR/HFR 1920×1080/59.94P/Link B HD/3G-B/SDR/HFR 1920×1080/59.94P/Link B HD/3G-B/SDR/HFR(i) 1920×1080/59.94i/Link A-B HD/3G-A/SDR 1920×1080/59.94P HD/3G-B/SDR 1920×1080/59.94P HD/1.5G/SDR 1920×1080/59.94i UHD TRUNK(12G) IN <sup>*1*2</sup> – UHD TRUNK(6G) IN <sup>*1*2</sup> – UHD TRUNK(3G) IN <sup>*1*2</sup> – HD/UHD TRUNK(1.5G) IN <sup>*2</sup> – HD RETURN IN <sup>*3</sup> –		

\*1 Can be selected only when NETWORK TRUNK > DATA RATE (setting on the CCU) is set to 100Mbps.

\*2 Can be selected only when a CCU is connected.

\*3 Can be selected only in standalone operation.

<When HZC-UG50/UG50M/UG50W is installed>

SYSTEM FORMAT		HDR/ SDR	OUTPUT FORMAT			
RESOLUTION	FREQUENCY		OETF	SDI-1		SDI-2
			Settings	Output formats	Settings	Output formats
1920×1080	59.94i(444)	SDR (fixed)	<b>OFF</b> HD/3G-B/SDR UHD PROMPTER	– 1920×1080/59.94i(444) –	<b>OFF</b> HD/3G-B/SDR UHD TRUNK(12G) IN <sup>*1*2</sup> UHD TRUNK(6G) IN <sup>*1*2</sup> UHD TRUNK(3G) IN <sup>*1*2</sup> HD/UHD TRUNK(1.5G) IN <sup>*2</sup> HD RETURN IN <sup>*3</sup>	– 1920×1080/59.94i(444) – – – – –
	29.97PsF(444) (HZC-PSF50 is required)	SDR (fixed)	<b>OFF</b> HD/3G-B/SDR UHD PROMPTER	– 1920×1080/29.97PsF(444) –	<b>OFF</b> HD/3G-B/SDR UHD TRUNK(12G) IN <sup>*1*2</sup> UHD TRUNK(6G) IN <sup>*1*2</sup> UHD TRUNK(3G) IN <sup>*1*2</sup> HD/UHD TRUNK(1.5G) IN <sup>*2</sup> HD RETURN IN <sup>*3</sup>	– 1920×1080/29.97PsF(444) – – – – –
	23.98PsF(444) (HZC-PSF50 is required)	SDR (fixed)	<b>OFF</b> HD/3G-B/SDR UHD PROMPTER	– 1920×1080/23.98PsF(444) –	<b>OFF</b> HD/3G-B/SDR UHD TRUNK(12G) IN <sup>*1*2</sup> UHD TRUNK(6G) IN <sup>*1*2</sup> UHD TRUNK(3G) IN <sup>*1*2</sup> HD/UHD TRUNK(1.5G) IN <sup>*2</sup> HD RETURN IN <sup>*3</sup>	– 1920×1080/23.98PsF(444) – – – – –

\*1 Can be selected only when NETWORK TRUNK > DATA RATE (setting on the CCU) is set to 100Mbps.

\*2 Can be selected only when a CCU is connected.

\*3 Can be selected only in standalone operation.

<When HZC-UHD50/UHD50M/UHD50W/UHD50P is installed>

SYSTEM FORMAT		HDR/SDR	OUTPUT FORMAT			
RESOLUTION	FREQUENCY		OETF	SDI-1		SDI-2
		Settings		Output formats	Settings	Output formats
3840×2160	59.94P	S-Log3 HLG	<b>OFF</b>	–	<b>OFF</b>	–
			4K/12G/HDR	3840×2160/59.94P	4K/12G/HDR	3840×2160/59.94P
	HD/3G-A/SDR	1920×1080/59.94P	HD/3G-A/SDR	1920×1080/59.94P		
	HD/3G-B/SDR	1920×1080/59.94P	HD/3G-B/SDR	1920×1080/59.94P		
	HD/1.5G/SDR	1920×1080/59.94i	HD/1.5G/SDR	1920×1080/59.94i		
	UHD PROMPTER	–	UHD TRUNK(12G) IN <sup>*1,2</sup>	–		
				UHD TRUNK(6G) IN <sup>*1,2</sup>	–	
				UHD TRUNK(3G) IN <sup>*1,2</sup>	–	
				HD/UHD TRUNK(1.5G) IN <sup>*2</sup>	–	
				HD RETURN IN <sup>*3</sup>	–	
3840×2160	29.97P	S-Log3 HLG	<b>OFF</b>	–	<b>OFF</b>	–
			4K/12G/SDR	3840×2160/59.94P	4K/12G/SDR	3840×2160/59.94P
	HD/3G-A/SDR	1920×1080/59.94P	HD/3G-A/SDR	1920×1080/59.94P		
	HD/3G-B/SDR	1920×1080/59.94P	HD/3G-B/SDR	1920×1080/59.94P		
	HD/1.5G/SDR	1920×1080/59.94i	HD/1.5G/SDR	1920×1080/59.94i		
	UHD PROMPTER	–	UHD TRUNK(12G) IN <sup>*1,2</sup>	–		
				UHD TRUNK(6G) IN <sup>*1,2</sup>	–	
				UHD TRUNK(3G) IN <sup>*1,2</sup>	–	
				HD/UHD TRUNK(1.5G) IN <sup>*2</sup>	–	
				HD RETURN IN <sup>*3</sup>	–	
3840×2160	29.97P	S-Log3 HLG	<b>OFF</b>	–	<b>OFF</b>	–
			4K/6G/HDR	3840×2160/29.97P	4K/6G/HDR	3840×2160/29.97P
	HD/1.5G/SDR	1920×1080/29.97PsF	HD/1.5G/SDR	1920×1080/29.97PsF		
	UHD PROMPTER	–	UHD TRUNK(12G) IN <sup>*1,2</sup>	–		
					UHD TRUNK(6G) IN <sup>*1,2</sup>	–
					UHD TRUNK(3G) IN <sup>*1,2</sup>	–
				HD/UHD TRUNK(1.5G) IN <sup>*2</sup>	–	
				HD RETURN IN <sup>*3</sup>	–	
3840×2160	23.98P	S-Log3 HLG	<b>OFF</b>	–	<b>OFF</b>	–
			4K/6G/SDR	3840×2160/23.98P	4K/6G/SDR	3840×2160/23.98P
	HD/1.5G/SDR	1920×1080/23.98PsF	HD/1.5G/SDR	1920×1080/23.98PsF		
	UHD PROMPTER	–	UHD TRUNK(12G) IN <sup>*1,2</sup>	–		
					UHD TRUNK(6G) IN <sup>*1,2</sup>	–
					UHD TRUNK(3G) IN <sup>*1,2</sup>	–
				HD/UHD TRUNK(1.5G) IN <sup>*2</sup>	–	
				HD RETURN IN <sup>*3</sup>	–	
3840×2160	23.98P	S-Log3 HLG	<b>OFF</b>	–	<b>OFF</b>	–
			4K/6G/SDR	3840×2160/23.98P	4K/6G/SDR	3840×2160/23.98P
	HD/1.5G/SDR	1920×1080/23.98PsF	HD/1.5G/SDR	1920×1080/23.98PsF		
	UHD PROMPTER	–	UHD TRUNK(12G) IN <sup>*1,2</sup>	–		
					UHD TRUNK(6G) IN <sup>*1,2</sup>	–
					UHD TRUNK(3G) IN <sup>*1,2</sup>	–
				HD/UHD TRUNK(1.5G) IN <sup>*2</sup>	–	
				HD RETURN IN <sup>*3</sup>	–	

SYSTEM FORMAT		HDR/SDR	OUTPUT FORMAT			
RESOLUTION	FREQUENCY		OETF	SDI-1		SDI-2
			Settings	Output formats	Settings	Output formats
3840×2160	59.94P(2×) (H2C-HFR50 is required)	S-Log3 HLG	<b>OFF</b> 4K/12G/HDR/HFR 4K/12G/HDR HD/3G-A/SDR HD/3G-B/SDR HD/1.5G/SDR UHD PROMPTER	– 3840×2160/59.94P/Link A 3840×2160/59.94P 1920×1080/59.94P 1920×1080/59.94P 1920×1080/59.94i –	<b>OFF</b> 4K/12G/HDR/HFR 4K/12G/HDR HD/3G-A/SDR HD/3G-B/SDR HD/1.5G/SDR HD/UHD TRUNK(1.5G) IN <sup>*2</sup> HD RETURN IN <sup>*3</sup>	– 3840×2160/59.94P/Link B 3840×2160/59.94P 1920×1080/59.94P 1920×1080/59.94P 1920×1080/59.94i – –
		SDR	<b>OFF</b> 4K/12G/SDR/HFR 4K/12G/SDR HD/3G-A/SDR HD/3G-B/SDR HD/1.5G/SDR UHD PROMPTER	– 3840×2160/59.94P/Link A 3840×2160/59.94P 1920×1080/59.94P 1920×1080/59.94P 1920×1080/59.94i –	<b>OFF</b> 4K/12G/SDR/HFR 4K/12G/SDR HD/3G-A/SDR HD/3G-B/SDR HD/1.5G/SDR HD/UHD TRUNK(1.5G) IN <sup>*2</sup> HD RETURN IN <sup>*3</sup>	– 3840×2160/59.94P/Link B 3840×2160/59.94P 1920×1080/59.94P 1920×1080/59.94P 1920×1080/59.94i – –

\*1 Can be selected only when NETWORK TRUNK > DATA RATE (setting on the CCU) is set to 100Mbps.

\*2 Can be selected only when a CCU is connected.

\*3 Can be selected only in standalone operation.

## 2. Using HDC3500 (or HDC3500 serial number 20000 series, with HKC-CN50 and HKC-FB30 installed)

<Standard format>

SYSTEM FORMAT		HDR/SDR	OUTPUT FORMAT			
RESOLUTION	FREQUENCY		OETF	SDI-1		SDI-2
			Settings	Output formats	Settings	Output formats
1920×1080	59.94i	SDR (fixed)	<b>OFF</b> HD/1.5G/SDR HD PROMPTER	– 1920×1080/59.94i –	<b>OFF</b> HD/1.5G/SDR HD TRUNK IN <sup>*1</sup> RET IN <sup>*2</sup>	– 1920×1080/59.94i – –
1280×720	59.94P	SDR (fixed)	<b>OFF</b> HD/1.5G/SDR HD PROMPTER	– 1280×720/59.94P –	<b>OFF</b> HD/1.5G/SDR HD TRUNK IN <sup>*1</sup> RET IN <sup>*2</sup>	– 1280×720/59.94P – –

\*1 Can be selected only when a CCU is connected.

\*2 Can be selected only in standalone operation.

<When HZC-PSF50/PSF50M/PSF50W is installed>

SYSTEM FORMAT		HDR/ SDR	OUTPUT FORMAT			
RESOLUTION	FREQUENCY		OETF	SDI-1		SDI-2
			Settings	Output formats	Settings	Output formats
1920×1080	29.97PsF	SDR (fixed)	<b>OFF</b> HD/1.5G/SDR HD PROMPTER	– 1920×1080/29.97PsF –	<b>OFF</b> HD/1.5G/SDR HD TRUNK IN *1 RET IN *2	– 1920×1080/29.97PsF – –
	23.98PsF	SDR (fixed)	<b>OFF</b> HD/1.5G/SDR HD PROMPTER	– 1920×1080/23.98PsF –	<b>OFF</b> HD/1.5G/SDR HD TRUNK IN *1 RET IN *2	– 1920×1080/23.98PsF – –
	29.97PsF(444) (HZC-UG50 is required)	SDR (fixed)	<b>OFF</b> HD/3G-B/SDR HD PROMPTER	– 1920×1080/29.97PsF(444) –	<b>OFF</b> HD/3G-B/SDR HD TRUNK IN *1 RET IN *2	– 1920×1080/29.97PsF(444) – –
	23.98PsF(444) (HZC-UG50 is required)	SDR (fixed)	<b>OFF</b> HD/3G-B/SDR HD PROMPTER	– 1920×1080/23.98PsF(444) –	<b>OFF</b> HD/3G-B/SDR HD TRUNK IN *1 RET IN *2	– 1920×1080/23.98PsF(444) – –

\*1 Can be selected only when a CCU is connected.

\*2 Can be selected only in standalone operation.

<When HZC-PRV50/PRV50M/PRV50W is installed>

SYSTEM FORMAT		HDR/ SDR	OUTPUT FORMAT			
RESOLUTION	FREQUENCY		OETF	SDI-1		SDI-2
			Settings	Output formats	Settings	Output formats
1920×1080	59.94P	S-Log3 HLG *2	<b>OFF</b> HD/3G-A/HDR HD/3G-B/HDR HD PROMPTER	– 1920×1080/59.94P 1920×1080/59.94P –	<b>OFF</b> HD/3G-A/HDR HD/3G-B/HDR RET IN	– 1920×1080/59.94P 1920×1080/59.94P –
		SDR	<b>OFF</b> HD/3G-A/SDR HD/3G-B/SDR HD PROMPTER	– 1920×1080/59.94P 1920×1080/59.94P –	<b>OFF</b> HD/3G-A/SDR HD/3G-B/SDR HD TRUNK IN *1 RET IN *2	– 1920×1080/59.94P 1920×1080/59.94P – –
	59.94P (4K/HDR) *1	Set by CCU	<b>OFF</b> HD/3G-A/SDR HD/3G-B/SDR HD PROMPTER	– 1920×1080/59.94P 1920×1080/59.94P –	<b>OFF</b> HD/3G-A/SDR HD/3G-B/SDR HD TRUNK IN	– 1920×1080/59.94P 1920×1080/59.94P –

\*1 Can be selected only when a CCU is connected.

\*2 Can be selected only in standalone operation.

<When HZC-HFR50/HFR50M/HFR50W/HFR50P is installed>

SYSTEM FORMAT		HDR/SDR	OUTPUT FORMAT			
RESOLUTION	FREQUENCY		OETF	SDI-1		SDI-2
RESOLUTION	FREQUENCY	OETF	Settings	Output formats	Settings	Output formats
1920×1080	59.94i(2×)	SDR (fixed)	<b>OFF</b> HD/3G-B/SDR/HFR(i) HD PROMPTER	– 1920×1080/59.94i/Link A-B –	<b>OFF</b> HD/3G-B/SDR/HFR(i) HD TRUNK IN *1 RET IN *2	– 1920×1080/59.94i/Link A-B – –
	59.94P	S-Log3 HLG *2	<b>OFF</b> HD/3G-A/HDR HD/3G-B/HDR HD PROMPTER	– 1920×1080/59.94P 1920×1080/59.94P –	<b>OFF</b> HD/3G-A/HDR HD/3G-B/HDR RET IN	– 1920×1080/59.94P 1920×1080/59.94P –
		SDR	<b>OFF</b> HD/3G-A/SDR HD/3G-B/SDR HD PROMPTER	– 1920×1080/59.94P 1920×1080/59.94P –	<b>OFF</b> HD/3G-A/SDR HD/3G-B/SDR HD TRUNK IN *1 RET IN *2	– 1920×1080/59.94P 1920×1080/59.94P – –
	59.94P (4K/HDR) *1	Set by CCU	<b>OFF</b> HD/3G-A/SDR HD/3G-B/SDR HD PROMPTER	– 1920×1080/59.94P 1920×1080/59.94P –	<b>OFF</b> HD/3G-A/SDR HD/3G-B/SDR HD TRUNK IN	– 1920×1080/59.94P 1920×1080/59.94P –
1280×720	59.94P(2×)	SDR (fixed)	<b>OFF</b> HD/3G-B/SDR/HFR HD PROMPTER	– 1280×720/59.94P/Link A-B –	<b>OFF</b> HD/3G-B/SDR/HFR HD TRUNK IN *1 RET IN *2	– 1280×720/59.94P/Link A-B – –

\*1 Can be selected only when a CCU is connected.

\*2 Can be selected only in standalone operation.

<When HZC-DFR50/DFR50M/DFR50W is installed>

SYSTEM FORMAT		HDR/SDR	OUTPUT FORMAT			
RESOLUTION	FREQUENCY		OETF	SDI-1		SDI-2
RESOLUTION	FREQUENCY	OETF	Settings	Output formats	Settings	Output formats
1920×1080	59.94i(2×)	SDR (fixed)	<b>OFF</b> HD/3G-B/SDR/HFR(i) HD PROMPTER	– 1920×1080/59.94i/Link A-B –	<b>OFF</b> HD/3G-B/SDR/HFR(i) HD TRUNK IN *1 RET IN *2	– 1920×1080/59.94i/Link A-B – –
1280×720	59.94P(2×)	SDR (fixed)	<b>OFF</b> HD/3G-B/SDR/HFR HD PROMPTER	– 1280×720/59.94P/Link A-B –	<b>OFF</b> HD/3G-B/SDR/HFR HD TRUNK IN *1 RET IN *2	– 1280×720/59.94P/Link A-B – –

\*1 Can be selected only when a CCU is connected.

\*2 Can be selected only in standalone operation.

<When HZC-UHD50/UHD50M/UHD50W/UHD50P is installed>

SYSTEM FORMAT		HDR/ SDR	OUTPUT FORMAT			
RESOLUTION	FREQUENCY		OETF	SDI-1		SDI-2
			Settings	Output formats	Settings	Output formats
1920×1080	59.94P	S-Log3 HLG * <sup>2</sup>	<b>OFF</b> HD/3G-A/HDR HD/3G-B/HDR HD PROMPTER	– 1920×1080/59.94P 1920×1080/59.94P –	<b>OFF</b> HD/3G-A/HDR HD/3G-B/HDR RET IN	– 1920×1080/59.94P 1920×1080/59.94P –
		SDR	<b>OFF</b> HD/3G-A/SDR HD/3G-B/SDR HD PROMPTER	– 1920×1080/59.94P 1920×1080/59.94P –	<b>OFF</b> HD/3G-A/SDR HD/3G-B/SDR HD TRUNK IN * <sup>1</sup> RET IN * <sup>2</sup>	– 1920×1080/59.94P 1920×1080/59.94P – –
	59.94P (4K/HDR) * <sup>1</sup>	Set by CCU	<b>OFF</b> HD/3G-A/SDR HD/3G-B/SDR HD PROMPTER	– 1920×1080/59.94P 1920×1080/59.94P –	<b>OFF</b> HD/3G-A/SDR HD/3G-B/SDR HD TRUNK IN	– 1920×1080/59.94P 1920×1080/59.94P –

\*<sup>1</sup> Can be selected only when a CCU is connected.

\*<sup>2</sup> Can be selected only in standalone operation.

<When HZC-UG50/UG50M/UG50W is installed>

SYSTEM FORMAT		HDR/ SDR	OUTPUT FORMAT			
RESOLUTION	FREQUENCY		OETF	SDI-1		SDI-2
			Settings	Output formats	Settings	Output formats
1920×1080	59.94i(444)	SDR (fixed)	<b>OFF</b> HD/3G-B/SDR HD PROMPTER	– 1920×1080/59.94i(444) –	<b>OFF</b> HD/3G-B/SDR HD TRUNK IN * <sup>1</sup> RET IN * <sup>2</sup>	– 1920×1080/59.94i(444) – –
	29.97PsF(444)	SDR (fixed)	<b>OFF</b> HD/3G-B/SDR HD PROMPTER	– 1920×1080/29.97PsF(444) –	<b>OFF</b> HD/3G-B/SDR HD TRUNK IN * <sup>1</sup> RET IN * <sup>2</sup>	– 1920×1080/29.97PsF(444) – –
	23.98PsF(444)	SDR (fixed)	<b>OFF</b> HD/3G-B/SDR HD PROMPTER	– 1920×1080/23.98PsF(444) –	<b>OFF</b> HD/3G-B/SDR HD TRUNK IN * <sup>1</sup> RET IN * <sup>2</sup>	– 1920×1080/23.98PsF(444) – –

\*<sup>1</sup> Can be selected only when a CCU is connected.

\*<sup>2</sup> Can be selected only in standalone operation.

### 3. Using HDC3500 with HKC-CN50 and HKC-TR37 installed for digital triax transmission (equivalent to HDC3170)

<Standard format>

SYSTEM FORMAT		HDR/ SDR	OUTPUT FORMAT	
RESOLUTION	FREQUENCY		OETF	SDI-1
RESOLUTION	FREQUENCY	OETF	Settings	Output formats
1920×1080	59.94P	S-Log3 HLG *2	<b>OFF</b> HD/3G-A/HDR HD/3G-B/HDR	– 1920×1080/59.94P 1920×1080/59.94P
		SDR	<b>OFF</b> HD/3G-A/SDR HD/3G-B/SDR	– 1920×1080/59.94P 1920×1080/59.94P
	59.94P(4K/HDR) *1	Set by CCU	<b>OFF</b>	–
	59.94i *1	SDR (fixed)	<b>OFF</b> HD/1.5G/SDR	– 1920×1080/59.94i
1280×720	59.94P	SDR (fixed)	<b>OFF</b> HD/1.5G/SDR	– 1280×720/59.94P

\*1 Can be selected only when a CCU is connected.

\*2 Can be selected only in standalone operation.

<When HZC-PSF50/PSF50M/PSF50W is installed>

SYSTEM FORMAT		HDR/ SDR	OUTPUT FORMAT	
RESOLUTION	FREQUENCY		OETF	SDI-1
RESOLUTION	FREQUENCY	OETF	Settings	Output formats
1920×1080	29.97PsF	SDR (fixed)	<b>OFF</b> HD/1.5G/SDR	– 1920×1080/29.97PsF

### 4. Using HDC3500 with HKC-CN50 and HKC-WL50 installed

<Standard format>

SYSTEM FORMAT		HDR/ SDR	OUTPUT FORMAT			
RESOLUTION	FREQUENCY		OETF	Settings	Output formats	SDI-2
RESOLUTION	FREQUENCY	OETF	Settings	Output formats	Settings	Output formats
1920×1080	59.94i	SDR (fixed)	HD/1.5G/SDR	1920×1080/59.94i	<b>OFF</b> HD RETURN IN	– –
1280×720	59.94P	SDR (fixed)	HD/1.5G/SDR	1280×720/59.94P	<b>OFF</b> HD RETURN IN	– –

<When HZC-PSF50/PSF50M/PSF50W is installed>

SYSTEM FORMAT		HDR/ SDR	OUTPUT FORMAT			
RESOLUTION	FREQUENCY		OETF	Settings	Output formats	SDI-2
RESOLUTION	FREQUENCY	OETF	Settings	Output formats	Settings	Output formats
1920×1080	29.97PsF	SDR (fixed)	HD/1.5G/SDR	1920×1080/29.97PsF	<b>OFF</b> HD RETURN IN	– –
	23.98PsF	SDR (fixed)	HD/1.5G/SDR	1920×1080/23.98PsF	<b>OFF</b> HD RETURN IN	– –

<When HZC-PRV50/PRV50M/PRV50W is installed>

SYSTEM FORMAT		HDR/SDR	OUTPUT FORMAT			
RESOLUTION	FREQUENCY		OETF	SDI-1		SDI-2
			Settings	Output formats	Settings	Output formats
1920×1080	59.94P	S-Log3 HLG	HD/3G-B/HDR	1920×1080/59.94P	<b>OFF</b> HD RETURN IN HD/3G-B/SDR	- - 1920×1080/59.94P
		SDR	HD/3G-B/SDR	1920×1080/59.94P	<b>OFF</b> HD RETURN IN	- -

<When HZC-HFR50/HFR50M/HFR50W/HFR50P is installed>

SYSTEM FORMAT		HDR/SDR	OUTPUT FORMAT			
RESOLUTION	FREQUENCY		OETF	SDI-1		SDI-2
			Settings	Output formats	Settings	Output formats
1920×1080	59.94P	S-Log3 HLG	HD/3G-B/HDR	1920×1080/59.94P	<b>OFF</b> HD RETURN IN	- -
		SDR	HD/3G-B/SDR	1920×1080/59.94P	<b>OFF</b> HD RETURN IN	- -
	59.94P(2×)	S-Log3 HLG	HD/3G-A/HDR/HFR	1920×1080/59.94P/Link A-B	<b>OFF</b> HD RETURN IN	- -
		SDR	HD/3G-A/SDR/HFR	1920×1080/59.94P/Link A-B	<b>OFF</b> HD RETURN IN	- -
	59.94P(3×)	S-Log3 HLG	HD/3G-A/HDR/HFR	1920×1080/59.94P/Link A-C	<b>OFF</b> HD RETURN IN	- -
		SDR	HD/3G-A/SDR/HFR	1920×1080/59.94P/Link A-C	<b>OFF</b> HD RETURN IN	- -
	59.94P(4×)	S-Log3 HLG	HD/3G-A/HDR/HFR	1920×1080/59.94P/Link A-D	<b>OFF</b> HD RETURN IN	- -
		SDR	HD/3G-A/SDR/HFR	1920×1080/59.94P/Link A-D	<b>OFF</b> HD RETURN IN	- -

<When HZC-DFR50/DFR50M/DFR50W is installed>

SYSTEM FORMAT		HDR/SDR	OUTPUT FORMAT			
RESOLUTION	FREQUENCY		OETF	SDI-1		SDI-2
			Settings	Output formats	Settings	Output formats
1920×1080	59.94P(2×)	S-Log3 HLG	HD/3G-A/HDR/HFR	1920×1080/59.94P/Link A-B	<b>OFF</b> HD RETURN IN	- -
		SDR	HD/3G-A/SDR/HFR	1920×1080/59.94P/Link A-B	<b>OFF</b> HD RETURN IN	- -

<When HZC-UHD50/UHD50M/UHD50W/UHD50P is installed>

SYSTEM FORMAT		HDR/SDR	OUTPUT FORMAT			
RESOLUTION	FREQUENCY		OETF	SDI-1		SDI-2
			Settings	Output formats	Settings	Output formats
3840×2160	59.94P	S-Log3 HLG	4K/12G/HDR	3840×2160/59.94P	<b>OFF</b>	-
			4K/3G-A/HDR	3840×2160/59.94P	HD RETURN IN HD/3G-B/SDR	- 1920×1080/59.94P
		SDR	4K/12G/SDR 4K/3G-A/SDR	3840×2160/59.94P 3840×2160/59.94P	<b>OFF</b> HD RETURN IN HD/3G-B/SDR	- - 1920×1080/59.94P

SYSTEM FORMAT		HDR/ SDR	OUTPUT FORMAT			
RESOLUTION	FREQUENCY		OETF	SDI-1		SDI-2
			Settings	Output formats	Settings	Output formats
1920×1080	59.94P	S-Log3 HLG	HD/3G-B/HDR	1920×1080/59.94P	<b>OFF</b> HD RETURN IN HD/3G-B/SDR	– – 1920×1080/59.94P
		SDR	HD/3G-B/SDR	1920×1080/59.94P	<b>OFF</b> HD RETURN IN	– –

### SDI output format with master frequency of 1/1.000

The following table shows the SDI output formats when the master frequency is 1/1.000.

The SDI output format will vary depending on the combination of camera model, transmission adaptor, and camera operating software.

#### 1. Using HDC5500 or HDC3500 with HKC-CN50 and HKC-FB50 installed

<Standard format>

SYSTEM FORMAT		HDR/ SDR	OUTPUT FORMAT			
RESOLUTION	FREQUENCY		OETF	SDI-1		SDI-2
			Settings	Output formats	Settings	Output formats
1920×1080	50P	S-Log3 HLG	<b>OFF</b> HD/3G-A/HDR HD/3G-A/SDR HD/3G-B/HDR HD/3G-B/SDR HD/1.5G/SDR UHD PROMPTER	– 1920×1080/50P 1920×1080/50P 1920×1080/50P 1920×1080/50P 1920×1080/50i –	<b>OFF</b> HD/3G-A/HDR HD/3G-A/SDR HD/3G-B/HDR HD/3G-B/SDR HD/1.5G/SDR UHD TRUNK(12G) IN <sup>*1*2</sup> UHD TRUNK(6G) IN <sup>*1*2</sup> UHD TRUNK(3G) IN <sup>*1*2</sup> HD/UHD TRUNK(1.5G) IN <sup>*2</sup> HD RETURN IN <sup>*3</sup>	– 1920×1080/50P 1920×1080/50P 1920×1080/50P 1920×1080/50P 1920×1080/50i – – – – –
		SDR	<b>OFF</b> HD/3G-A/SDR HD/3G-B/SDR HD/1.5G/SDR UHD PROMPTER	– 1920×1080/50P 1920×1080/50P 1920×1080/50i –	<b>OFF</b> HD/3G-A/SDR HD/3G-B/SDR HD/1.5G/SDR UHD TRUNK(12G) IN <sup>*1*2</sup> UHD TRUNK(6G) IN <sup>*1*2</sup> UHD TRUNK(3G) IN <sup>*1*2</sup> HD/UHD TRUNK(1.5G) IN <sup>*2</sup> HD RETURN IN <sup>*3</sup>	– 1920×1080/50P 1920×1080/50P 1920×1080/50i – – – – –

\*1 Can be selected only when NETWORK TRUNK > DATA RATE (setting on the CCU) is set to 100Mbps.

\*2 Can be selected only when a CCU is connected.

\*3 Can be selected only in standalone operation.

<When HZC-PSF50/PSF50M/PSF50W is installed>

SYSTEM FORMAT		HDR/ SDR	OUTPUT FORMAT			
RESOLUTION	FREQUENCY		OETF	SDI-1		SDI-2
			Settings	Output formats	Settings	Output formats
1920×1080	25PsF	S-Log3 HLG	<b>OFF</b> HD/1.5G/HDR HD/1.5G/SDR UHD PROMPTER	– 1920×1080/25PsF 1920×1080/25PsF –	<b>OFF</b> HD/1.5G/HDR HD/1.5G/SDR UHD TRUNK(12G) IN <sup>*1*2</sup> UHD TRUNK(6G) IN <sup>*1*2</sup> UHD TRUNK(3G) IN <sup>*1*2</sup> HD/UHD TRUNK(1.5G) IN <sup>*2</sup> HD RETURN IN <sup>*3</sup>	– 1920×1080/25PsF 1920×1080/25PsF – – – – –
		SDR	<b>OFF</b> HD/1.5G/SDR UHD PROMPTER	– 1920×1080/25PsF –	<b>OFF</b> HD/1.5G/SDR UHD TRUNK(12G) IN <sup>*1*2</sup> UHD TRUNK(6G) IN <sup>*1*2</sup> UHD TRUNK(3G) IN <sup>*1*2</sup> HD/UHD TRUNK(1.5G) IN <sup>*2</sup> HD RETURN IN <sup>*3</sup>	– 1920×1080/25PsF – – – – –
	24PsF	S-Log3 HLG	<b>OFF</b> HD/1.5G/HDR HD/1.5G/SDR UHD PROMPTER	– 1920×1080/24PsF 1920×1080/24PsF –	<b>OFF</b> HD/1.5G/HDR HD/1.5G/SDR UHD TRUNK(12G) IN <sup>*1*2</sup> UHD TRUNK(6G) IN <sup>*1*2</sup> UHD TRUNK(3G) IN <sup>*1*2</sup> HD/UHD TRUNK(1.5G) IN <sup>*2</sup> HD RETURN IN <sup>*3</sup>	– 1920×1080/24PsF 1920×1080/24PsF – – – – –
		SDR	<b>OFF</b> HD/1.5G/SDR UHD PROMPTER	– 1920×1080/24PsF –	<b>OFF</b> HD/1.5G/SDR UHD TRUNK(12G) IN <sup>*1*2</sup> UHD TRUNK(6G) IN <sup>*1*2</sup> UHD TRUNK(3G) IN <sup>*1*2</sup> HD/UHD TRUNK(1.5G) IN <sup>*2</sup> HD RETURN IN <sup>*3</sup>	– 1920×1080/24PsF – – – – –
	25PsF(444) (HZC-UG50 is required)	SDR (fixed)	<b>OFF</b> HD/3G-B/SDR UHD PROMPTER	– 1920×1080/25PsF(444) –	<b>OFF</b> HD/3G-B/SDR UHD TRUNK(12G) IN <sup>*1*2</sup> UHD TRUNK(6G) IN <sup>*1*2</sup> UHD TRUNK(3G) IN <sup>*1*2</sup> HD/UHD TRUNK(1.5G) IN <sup>*2</sup> HD RETURN IN <sup>*3</sup>	– 1920×1080/25PsF(444) – – – – –
	24PsF(444) (HZC-UG50 is required)	SDR (fixed)	<b>OFF</b> HD/3G-B/SDR UHD PROMPTER	– 1920×1080/24PsF(444) –	<b>OFF</b> HD/3G-B/SDR UHD TRUNK(12G) IN <sup>*1*2</sup> UHD TRUNK(6G) IN <sup>*1*2</sup> UHD TRUNK(3G) IN <sup>*1*2</sup> HD/UHD TRUNK(1.5G) IN <sup>*2</sup> HD RETURN IN <sup>*3</sup>	– 1920×1080/24PsF(444) – – – – –

\*1 Can be selected only when NETWORK TRUNK > DATA RATE (setting on the CCU) is set to 100Mbps.

\*2 Can be selected only when a CCU is connected.

\*3 Can be selected only in standalone operation.

<When HZC-HFR50/HFR50M/HFR50W/HFR50P is installed>

SYSTEM FORMAT		HDR/SDR	OUTPUT FORMAT			
RESOLUTION	FREQUENCY		OETF	SDI-1		SDI-2
			Settings	Output formats	Settings	Output formats
1920×1080	50P(2x)	S-Log3 HLG	<b>OFF</b>	–	<b>OFF</b>	–
			HD/12G/HDR/HFR	1920×1080/50P/Link A-B	HD/12G/HDR/HFR	1920×1080/50P/Link A-B
			HD/3G-A/HDR/HFR	1920×1080/50P/Link A	HD/3G-A/HDR/HFR	1920×1080/50P/Link B
		HD/3G-B/HDR/HFR	1920×1080/50P/Link A	HD/3G-B/HDR/HFR	1920×1080/50P/Link B	
		HD/3G-A/SDR	1920×1080/50P	HD/3G-A/SDR	1920×1080/50P	
		HD/3G-B/SDR	1920×1080/50P	HD/3G-B/SDR	1920×1080/50P	
HD/1.5G/SDR	1920×1080/50i	HD/1.5G/SDR	1920×1080/50i			
UHD PROMPTER	–	UHD TRUNK(12G) IN <sup>*1,2</sup>	–			
		UHD TRUNK(6G) IN <sup>*1,2</sup>	–			
		UHD TRUNK(3G) IN <sup>*1,2</sup>	–			
		HD/UHD TRUNK(1.5G) IN <sup>*2</sup>	–			
		HD RETURN IN <sup>*3</sup>	–			
1920×1080	50P(2x)	SDR	<b>OFF</b>	–	<b>OFF</b>	–
			HD/12G/SDR/HFR	1920×1080/50P/Link A-B	HD/12G/SDR/HFR	1920×1080/50P/Link A-B
			HD/3G-A/SDR/HFR	1920×1080/50P/Link A	HD/3G-A/SDR/HFR	1920×1080/50P/Link B
		HD/3G-B/SDR/HFR	1920×1080/50P/Link A	HD/3G-B/SDR/HFR	1920×1080/50P/Link B	
		HD/3G-B/SDR/HFR(i)	1920×1080/50i/Link A-B	HD/3G-B/SDR/HFR(i)	1920×1080/50i/Link A-B	
		HD/3G-A/SDR	1920×1080/50P	HD/3G-A/SDR	1920×1080/50P	
HD/3G-B/SDR	1920×1080/50P	HD/3G-B/SDR	1920×1080/50P			
HD/1.5G/SDR	1920×1080/50i	HD/1.5G/SDR	1920×1080/50i			
UHD PROMPTER	–	UHD TRUNK(12G) IN <sup>*1,2</sup>	–			
		UHD TRUNK(6G) IN <sup>*1,2</sup>	–			
		UHD TRUNK(3G) IN <sup>*1,2</sup>	–			
		HD/UHD TRUNK(1.5G) IN <sup>*2</sup>	–			
		HD RETURN IN <sup>*3</sup>	–			
1920×1080	50P(3x)	S-Log3 HLG	<b>OFF</b>	–	<b>OFF</b>	–
			HD/12G/HDR/HFR	1920×1080/50P/Link A-C	HD/12G/HDR/HFR	1920×1080/50P/Link A-C
			HD/3G-A/SDR	1920×1080/50P	HD/3G-A/SDR	1920×1080/50P
		HD/3G-B/SDR	1920×1080/50P	HD/3G-B/SDR	1920×1080/50P	
		HD/1.5G/SDR	1920×1080/50i	HD/1.5G/SDR	1920×1080/50i	
		UHD PROMPTER	–	UHD TRUNK(12G) IN <sup>*1,2</sup>	–	
		UHD TRUNK(6G) IN <sup>*1,2</sup>	–			
		UHD TRUNK(3G) IN <sup>*1,2</sup>	–			
		HD/UHD TRUNK(1.5G) IN <sup>*2</sup>	–			
		HD RETURN IN <sup>*3</sup>	–			
1920×1080	50P(3x)	SDR	<b>OFF</b>	–	<b>OFF</b>	–
			HD/12G/SDR/HFR	1920×1080/50P/Link A-C	HD/12G/SDR/HFR	1920×1080/50P/Link A-C
			HD/3G-A/SDR	1920×1080/50P	HD/3G-A/SDR	1920×1080/50P
		HD/3G-B/SDR	1920×1080/50P	HD/3G-B/SDR	1920×1080/50P	
		HD/1.5G/SDR	1920×1080/50i	HD/1.5G/SDR	1920×1080/50i	
		UHD PROMPTER	–	UHD TRUNK(12G) IN <sup>*1,2</sup>	–	
		UHD TRUNK(6G) IN <sup>*1,2</sup>	–			
		UHD TRUNK(3G) IN <sup>*1,2</sup>	–			
		HD/UHD TRUNK(1.5G) IN <sup>*2</sup>	–			
		HD RETURN IN <sup>*3</sup>	–			

SYSTEM FORMAT		HDR/ SDR	OUTPUT FORMAT			
RESOLUTION	FREQUENCY		OETF	SDI-1		SDI-2
			Settings	Output formats	Settings	Output formats
1920×1080	50P(4x)	S-Log3 HLG	<b>OFF</b> HD/12G/HDR/HFR HD/3G-A/SDR HD/3G-B/SDR HD/1.5G/SDR UHD PROMPTER	– 1920×1080/50P/Link A-D 1920×1080/50P 1920×1080/50P 1920×1080/50i –	<b>OFF</b> HD/12G/HDR/HFR HD/3G-A/SDR HD/3G-B/SDR HD/1.5G/SDR UHD TRUNK(12G) IN <sup>*1,2</sup> UHD TRUNK(6G) IN <sup>*1,2</sup> UHD TRUNK(3G) IN <sup>*1,2</sup> HD/UHD TRUNK(1.5G) IN <sup>*2</sup> HD RETURN IN <sup>*3</sup>	– 1920×1080/50P/Link A-D 1920×1080/50P 1920×1080/50P 1920×1080/50i – – – – –
			SDR	<b>OFF</b> HD/12G/SDR/HFR HD/3G-A/SDR HD/3G-B/SDR HD/1.5G/SDR UHD PROMPTER	– 1920×1080/50P/Link A-D 1920×1080/50P 1920×1080/50P 1920×1080/50i –	<b>OFF</b> HD/12G/SDR/HFR HD/3G-A/SDR HD/3G-B/SDR HD/1.5G/SDR UHD TRUNK(12G) IN <sup>*1,2</sup> UHD TRUNK(6G) IN <sup>*1,2</sup> UHD TRUNK(3G) IN <sup>*1,2</sup> HD/UHD TRUNK(1.5G) IN <sup>*2</sup> HD RETURN IN <sup>*3</sup>
	50P(6x)	All	<b>OFF</b>	–	<b>OFF</b>	–
	50P(8x)	All	<b>OFF</b>	–	<b>OFF</b>	–
3840×2160	50P(2x) (HZC-UHD50 is required)	S-Log3 HLG	<b>OFF</b> 4K/12G/HDR/HFR 4K/12G/HDR HD/3G-A/SDR HD/3G-B/SDR HD/1.5G/SDR UHD PROMPTER	– 3840×2160/50P/Link A 3840×2160/50P 1920×1080/50P 1920×1080/50P 1920×1080/50i –	<b>OFF</b> 4K/12G/HDR/HFR 4K/12G/HDR HD/3G-A/SDR HD/3G-B/SDR HD/1.5G/SDR HD/UHD TRUNK(1.5G) IN <sup>*2</sup> HD RETURN IN <sup>*3</sup>	– 3840×2160/50P/Link B 3840×2160/50P 1920×1080/50P 1920×1080/50P 1920×1080/50i – –
			SDR	<b>OFF</b> 4K/12G/SDR/HFR 4K/12G/SDR HD/3G-A/SDR HD/3G-B/SDR HD/1.5G/SDR UHD PROMPTER	– 3840×2160/50P/Link A 3840×2160/50P 1920×1080/50P 1920×1080/50P 1920×1080/50i –	<b>OFF</b> 4K/12G/SDR/HFR 4K/12G/SDR HD/3G-A/SDR HD/3G-B/SDR HD/1.5G/SDR HD/UHD TRUNK(1.5G) IN <sup>*2</sup> HD RETURN IN <sup>*3</sup>

\*1 Can be selected only when NETWORK TRUNK > DATA RATE (setting on the CCU) is set to 100Mbps.

\*2 Can be selected only when a CCU is connected.

\*3 Can be selected only in standalone operation.

<When HZC-DFR50/DFR50M/DFR50W is installed>

SYSTEM FORMAT		HDR/SDR	OUTPUT FORMAT			
RESOLUTION	FREQUENCY		OETF	SDI-1		SDI-2
			Settings	Output formats	Settings	Output formats
1920×1080	50P(2x)	S-Log3	<b>OFF</b>	–	<b>OFF</b>	–
		HLG	HD/12G/HDR/HFR HD/3G-A/HDR/HFR HD/3G-B/HDR/HFR HD/3G-A/SDR HD/3G-B/SDR HD/1.5G/SDR UHD PROMPTER	1920×1080/50P/Link A-B 1920×1080/50P/Link A 1920×1080/50P/Link A 1920×1080/50P 1920×1080/50P 1920×1080/50i –	HD/12G/HDR/HFR HD/3G-A/HDR/HFR HD/3G-B/HDR/HFR HD/3G-A/SDR HD/3G-B/SDR HD/1.5G/SDR UHD TRUNK(12G) IN <sup>*1*2</sup> UHD TRUNK(6G) IN <sup>*1*2</sup> UHD TRUNK(3G) IN <sup>*1*2</sup> HD/UHD TRUNK(1.5G) IN <sup>*2</sup> HD RETURN IN <sup>*3</sup>	1920×1080/50P/Link A-B 1920×1080/50P/Link B 1920×1080/50P/Link B 1920×1080/50P 1920×1080/50P 1920×1080/50i – – – – –
		SDR	<b>OFF</b>	–	<b>OFF</b>	–
			HD/12G/SDR/HFR HD/3G-A/SDR/HFR HD/3G-B/SDR/HFR HD/3G-B/SDR/HFR(i) HD/3G-A/SDR HD/3G-B/SDR HD/1.5G/SDR UHD PROMPTER	1920×1080/50P/Link A-B 1920×1080/50P/Link A 1920×1080/50P/Link A 1920×1080/50i/Link A-B 1920×1080/50P 1920×1080/50P 1920×1080/50i –	HD/12G/SDR/HFR HD/3G-A/SDR/HFR HD/3G-B/SDR/HFR HD/3G-B/SDR/HFR(i) HD/3G-A/SDR HD/3G-B/SDR HD/1.5G/SDR UHD TRUNK(12G) IN <sup>*1*2</sup> UHD TRUNK(6G) IN <sup>*1*2</sup> UHD TRUNK(3G) IN <sup>*1*2</sup> HD/UHD TRUNK(1.5G) IN <sup>*2</sup> HD RETURN IN <sup>*3</sup>	1920×1080/50P/Link A-B 1920×1080/50P/Link B 1920×1080/50P/Link B 1920×1080/50i/Link A-B 1920×1080/50P 1920×1080/50P 1920×1080/50i – – – – –

\*1 Can be selected only when NETWORK TRUNK > DATA RATE (setting on the CCU) is set to 100Mbps.

\*2 Can be selected only when a CCU is connected.

\*3 Can be selected only in standalone operation.

<When HZC-UG50/UG50M/UG50W is installed>

SYSTEM FORMAT		HDR/ SDR	OUTPUT FORMAT			
RESOLUTION	FREQUENCY		OETF	SDI-1		SDI-2
			Settings	Output formats	Settings	Output formats
1920×1080	50i(444)	SDR (fixed)	<b>OFF</b> HD/3G-B/SDR UHD PROMPTER	– 1920×1080/50i(444) –	<b>OFF</b> HD/3G-B/SDR UHD TRUNK(12G) IN <sup>*1*2</sup> UHD TRUNK(6G) IN <sup>*1*2</sup> UHD TRUNK(3G) IN <sup>*1*2</sup> HD/UHD TRUNK(1.5G) IN <sup>*2</sup> HD RETURN IN <sup>*3</sup>	– 1920×1080/50i(444) – – – – –
	25PsF(444) (HZC-PSF50 is required)	SDR (fixed)	<b>OFF</b> HD/3G-B/SDR UHD PROMPTER	– 1920×1080/25PsF(444) –	<b>OFF</b> HD/3G-B/SDR UHD TRUNK(12G) IN <sup>*1*2</sup> UHD TRUNK(6G) IN <sup>*1*2</sup> UHD TRUNK(3G) IN <sup>*1*2</sup> HD/UHD TRUNK(1.5G) IN <sup>*2</sup> HD RETURN IN <sup>*3</sup>	– 1920×1080/25PsF(444) – – – – –
	24PsF(444) (HZC-PSF50 is required)	SDR (fixed)	<b>OFF</b> HD/3G-B/SDR UHD PROMPTER	– 1920×1080/24PsF(444) –	<b>OFF</b> HD/3G-B/SDR UHD TRUNK(12G) IN <sup>*1*2</sup> UHD TRUNK(6G) IN <sup>*1*2</sup> UHD TRUNK(3G) IN <sup>*1*2</sup> HD/UHD TRUNK(1.5G) IN <sup>*2</sup> HD RETURN IN <sup>*3</sup>	– 1920×1080/24PsF(444) – – – – –

\*1 Can be selected only when NETWORK TRUNK > DATA RATE (setting on the CCU) is set to 100Mbps.

\*2 Can be selected only when a CCU is connected.

\*3 Can be selected only in standalone operation.

<When HZC-UHD50/UHD50M/UHD50W/UHD50P is installed>

SYSTEM FORMAT		HDR/SDR	OUTPUT FORMAT			
RESOLUTION	FREQUENCY		OETF	SDI-1		SDI-2
		Settings		Output formats	Settings	Output formats
3840×2160	50P	S-Log3 HLG	<b>OFF</b> 4K/12G/HDR HD/3G-A/SDR HD/3G-B/SDR HD/1.5G/SDR UHD PROMPTER	– 3840×2160/50P 1920×1080/50P 1920×1080/50P 1920×1080/50i –	<b>OFF</b> 4K/12G/HDR HD/3G-A/SDR HD/3G-B/SDR HD/1.5G/SDR UHD TRUNK(12G) IN <sup>*1</sup> *2 UHD TRUNK(6G) IN <sup>*1</sup> *2 UHD TRUNK(3G) IN <sup>*1</sup> *2 HD/UHD TRUNK(1.5G) IN <sup>*2</sup> HD RETURN IN <sup>*3</sup>	– 3840×2160/50P 1920×1080/50P 1920×1080/50P 1920×1080/50i –
			SDR	– 3840×2160/50P 1920×1080/50P 1920×1080/50P 1920×1080/50i –	<b>OFF</b> 4K/12G/SDR HD/3G-A/SDR HD/3G-B/SDR HD/1.5G/SDR UHD TRUNK(12G) IN <sup>*1</sup> *2 UHD TRUNK(6G) IN <sup>*1</sup> *2 UHD TRUNK(3G) IN <sup>*1</sup> *2 HD/UHD TRUNK(1.5G) IN <sup>*2</sup> HD RETURN IN <sup>*3</sup>	– 3840×2160/50P 1920×1080/50P 1920×1080/50P 1920×1080/50i –
	25P	S-Log3 HLG	<b>OFF</b> 4K/6G/HDR HD/1.5G/SDR UHD PROMPTER	– 3840×2160/25P 1920×1080/25PsF –	<b>OFF</b> 4K/6G/HDR HD/1.5G/SDR UHD TRUNK(12G) IN <sup>*1</sup> *2 UHD TRUNK(6G) IN <sup>*1</sup> *2 UHD TRUNK(3G) IN <sup>*1</sup> *2 HD/UHD TRUNK(1.5G) IN <sup>*2</sup> HD RETURN IN <sup>*3</sup>	– 3840×2160/25P 1920×1080/25PsF –
			SDR	– 3840×2160/25P 1920×1080/25PsF –	<b>OFF</b> 4K/6G/SDR HD/1.5G/SDR UHD TRUNK(12G) IN <sup>*1</sup> *2 UHD TRUNK(6G) IN <sup>*1</sup> *2 UHD TRUNK(3G) IN <sup>*1</sup> *2 HD/UHD TRUNK(1.5G) IN <sup>*2</sup> HD RETURN IN <sup>*3</sup>	– 3840×2160/25P 1920×1080/25PsF –
	24P	S-Log3 HLG	<b>OFF</b> 4K/6G/SDR HD/1.5G/SDR UHD PROMPTER	– 3840×2160/24P 1920×1080/24PsF –	<b>OFF</b> 4K/6G/SDR HD/1.5G/SDR UHD TRUNK(12G) IN <sup>*1</sup> *2 UHD TRUNK(6G) IN <sup>*1</sup> *2 UHD TRUNK(3G) IN <sup>*1</sup> *2 HD/UHD TRUNK(1.5G) IN <sup>*2</sup> HD RETURN IN <sup>*3</sup>	– 3840×2160/24P 1920×1080/24PsF –
			SDR	– 3840×2160/24P 1920×1080/24PsF –	<b>OFF</b> 4K/6G/SDR HD/1.5G/SDR UHD TRUNK(12G) IN <sup>*1</sup> *2 UHD TRUNK(6G) IN <sup>*1</sup> *2 UHD TRUNK(3G) IN <sup>*1</sup> *2 HD/UHD TRUNK(1.5G) IN <sup>*2</sup> HD RETURN IN <sup>*3</sup>	– 3840×2160/24P 1920×1080/24PsF –

SYSTEM FORMAT		HDR/SDR	OUTPUT FORMAT			
RESOLUTION	FREQUENCY		OETF	SDI-1		SDI-2
			Settings	Output formats	Settings	Output formats
3840×2160	50P(2×) (H2C-HFR50 is required)	S-Log3 HLG	<b>OFF</b> 4K/12G/HDR/HFR 4K/12G/HDR HD/3G-A/SDR HD/3G-B/SDR HD/1.5G/SDR UHD PROMPTER	– 3840×2160/50P/Link A 3840×2160/50P 1920×1080/50P 1920×1080/50P 1920×1080/50i –	<b>OFF</b> 4K/12G/HDR/HFR 4K/12G/HDR HD/3G-A/SDR HD/3G-B/SDR HD/1.5G/SDR HD/UHD TRUNK(1.5G) IN <sup>*2</sup> HD RETURN IN <sup>*3</sup>	– 3840×2160/50P/Link B 3840×2160/50P 1920×1080/50P 1920×1080/50P 1920×1080/50i – –
		SDR	<b>OFF</b> 4K/12G/SDR/HFR 4K/12G/SDR HD/3G-A/SDR HD/3G-B/SDR HD/1.5G/SDR UHD PROMPTER	– 3840×2160/50P/Link A 3840×2160/50P 1920×1080/50P 1920×1080/50P 1920×1080/50i –	<b>OFF</b> 4K/12G/SDR/HFR 4K/12G/SDR HD/3G-A/SDR HD/3G-B/SDR HD/1.5G/SDR HD/UHD TRUNK(1.5G) IN <sup>*2</sup> HD TRUNK IN <sup>*3</sup>	– 3840×2160/50P/Link B 3840×2160/50P 1920×1080/50P 1920×1080/50P 1920×1080/50i – –

\*1 Can be selected only when NETWORK TRUNK > DATA RATE (setting on the CCU) is set to 100Mbps.

\*2 Can be selected only when a CCU is connected.

\*3 Can be selected only in standalone operation.

## 2. Using HDC3500 (or HDC3500 serial number 20000 series, with HKC-CN50 and HKC-FB30 installed)

<Standard format>

SYSTEM FORMAT		HDR/SDR	OUTPUT FORMAT			
RESOLUTION	FREQUENCY		OETF	SDI-1		SDI-2
			Settings	Output formats	Settings	Output formats
1920×1080	50i	SDR (fixed)	<b>OFF</b> HD/1.5G/SDR HD PROMPTER	– 1920×1080/50i –	<b>OFF</b> HD/1.5G/SDR HD TRUNK IN <sup>*1</sup> RET IN <sup>*2</sup>	– 1920×1080/50i – –
1280×720	50P	SDR (fixed)	<b>OFF</b> HD/1.5G/SDR HD PROMPTER	– 1280×720/50P –	<b>OFF</b> HD/1.5G/SDR HD TRUNK IN <sup>*1</sup> RET IN <sup>*2</sup>	– 1280×720/50P – –

\*1 Can be selected only when a CCU is connected.

\*2 Can be selected only in standalone operation.

<When HZC-PSF50/PSF50M/PSF50W is installed>

SYSTEM FORMAT		HDR/SDR	OUTPUT FORMAT			
RESOLUTION	FREQUENCY		OETF	SDI-1		SDI-2
RESOLUTION	FREQUENCY	OETF	Settings	Output formats	Settings	Output formats
1920×1080	25PsF	SDR (fixed)	<b>OFF</b> HD/1.5G/SDR HD PROMPTER	– 1920×1080/25PsF –	<b>OFF</b> HD/1.5G/SDR HD TRUNK IN *1 RET IN *2	– 1920×1080/25PsF – –
	24PsF	SDR (fixed)	<b>OFF</b> HD/1.5G/SDR HD PROMPTER	– 1920×1080/24PsF –	<b>OFF</b> HD/1.5G/SDR HD TRUNK IN *1 RET IN *2	– 1920×1080/24PsF – –
	25PsF(444) (HZC-UG50 is required)	SDR (fixed)	<b>OFF</b> HD/3G-B/SDR HD PROMPTER	– 1920×1080/25PsF(444) –	<b>OFF</b> HD/3G-B/SDR HD TRUNK IN *1 RET IN *2	– 1920×1080/25PsF(444) – –
	24PsF(444) (HZC-UG50 is required)	SDR (fixed)	<b>OFF</b> HD/3G-B/SDR HD PROMPTER	– 1920×1080/24PsF(444) –	<b>OFF</b> HD/3G-B/SDR HD TRUNK IN *1 RET IN *2	– 1920×1080/24PsF(444) – –

\*1 Can be selected only when a CCU is connected.

\*2 Can be selected only in standalone operation.

<When HZC-PRV50/PRV50M/PRV50W is installed>

SYSTEM FORMAT		HDR/SDR	OUTPUT FORMAT			
RESOLUTION	FREQUENCY		OETF	SDI-1		SDI-2
RESOLUTION	FREQUENCY	OETF	Settings	Output formats	Settings	Output formats
1920×1080	50P	S-Log3 HLG *2	<b>OFF</b> HD/3G-A/HDR HD/3G-B/HDR HD PROMPTER	– 1920×1080/50P 1920×1080/50P –	<b>OFF</b> HD/3G-A/HDR HD/3G-B/HDR RET IN	– 1920×1080/50P 1920×1080/50P –
		SDR	<b>OFF</b> HD/3G-A/SDR HD/3G-B/SDR HD PROMPTER	– 1920×1080/50P 1920×1080/50P –	<b>OFF</b> HD/3G-A/SDR HD/3G-B/SDR HD TRUNK IN *1 RET IN *2	– 1920×1080/50P 1920×1080/50P – –
	50P (4K/HDR) *1	Set by CCU	<b>OFF</b> HD/3G-A/SDR HD/3G-B/SDR HD PROMPTER	– 1920×1080/50P 1920×1080/50P –	<b>OFF</b> HD/3G-A/SDR HD/3G-B/SDR HD TRUNK IN	– 1920×1080/50P 1920×1080/50P –

\*1 Can be selected only when a CCU is connected.

\*2 Can be selected only in standalone operation.

<When HZC-HFR50/HFR50M/HFR50W/HFR50P is installed>

SYSTEM FORMAT		HDR/SDR	OUTPUT FORMAT			
RESOLUTION	FREQUENCY		OETF	SDI-1		SDI-2
			Settings	Output formats	Settings	Output formats
1920×1080	50i(2×)	SDR (fixed)	<b>OFF</b> HD/3G-B/SDR/HFR(i) HD PROMPTER	– 1920×1080/50i/Link A-B –	<b>OFF</b> HD/3G-B/SDR/HFR(i) HD TRUNK IN *1 RET IN *2	– 1920×1080/50i/Link A-B – –
	50P	S-Log3 HLG *2	<b>OFF</b> HD/3G-A/HDR HD/3G-B/HDR HD PROMPTER	– 1920×1080/50P 1920×1080/50P –	<b>OFF</b> HD/3G-A/HDR HD/3G-B/HDR RET IN	– 1920×1080/50P 1920×1080/50P –
		SDR	<b>OFF</b> HD/3G-A/SDR HD/3G-B/SDR HD PROMPTER	– 1920×1080/50P 1920×1080/50P –	<b>OFF</b> HD/3G-A/SDR HD/3G-B/SDR HD TRUNK IN *1 RET IN *2	– 1920×1080/50P 1920×1080/50P – –
	50P (4K/HDR) *1	Set by CCU	<b>OFF</b> HD/3G-A/SDR HD/3G-B/SDR HD PROMPTER	– 1920×1080/50P 1920×1080/50P –	<b>OFF</b> HD/3G-A/SDR HD/3G-B/SDR HD TRUNK IN	– 1920×1080/50P 1920×1080/50P –
1280×720	50P(2×)	SDR (fixed)	<b>OFF</b> HD/3G-B/SDR/HFR HD PROMPTER	– 1280×720/50P/Link A-B –	<b>OFF</b> HD/3G-B/SDR/HFR HD TRUNK IN *1 RET IN *2	– 1280×720/50P/Link A-B – –

\*1 Can be selected only when a CCU is connected.

\*2 Can be selected only in standalone operation.

<When HZC-DFR50/DFR50M/DFR50W is installed>

SYSTEM FORMAT		HDR/SDR	OUTPUT FORMAT			
RESOLUTION	FREQUENCY		OETF	SDI-1		SDI-2
			Settings	Output formats	Settings	Output formats
1920×1080	50i(2×)	SDR (fixed)	<b>OFF</b> HD/3G-B/SDR/HFR(i) HD PROMPTER	– 1920×1080/50i/Link A-B –	<b>OFF</b> HD/3G-B/SDR/HFR(i) HD TRUNK IN *1 RET IN *2	– 1920×1080/50i/Link A-B – –
1280×720	50P(2×)	SDR (fixed)	<b>OFF</b> HD/3G-B/SDR/HFR HD PROMPTER	– 1280×720/50P/Link A-B –	<b>OFF</b> HD/3G-B/SDR/HFR HD TRUNK IN *1 RET IN *2	– 1280×720/50P/Link A-B – –

\*1 Can be selected only when a CCU is connected.

\*2 Can be selected only in standalone operation.

<When HZC-UHD50/UHD50M/UHD50W/UHD50P is installed>

SYSTEM FORMAT		HDR/ SDR	OUTPUT FORMAT			
RESOLUTION	FREQUENCY		OETF	SDI-1		SDI-2
RESOLUTION	FREQUENCY	OETF	Settings	Output formats	Settings	Output formats
1920×1080	50P	S-Log3 HLG *2	<b>OFF</b> HD/3G-A/HDR HD/3G-B/HDR HD PROMPTER	– 1920×1080/50P 1920×1080/50P –	<b>OFF</b> HD/3G-A/HDR HD/3G-B/HDR RET IN	– 1920×1080/50P 1920×1080/50P –
		SDR	<b>OFF</b> HD/3G-A/SDR HD/3G-B/SDR HD PROMPTER	– 1920×1080/50P 1920×1080/50P –	<b>OFF</b> HD/3G-A/SDR HD/3G-B/SDR HD TRUNK IN *1 RET IN *2	– 1920×1080/50P 1920×1080/50P – –
	50P (4K/HDR) *1	Set by CCU	<b>OFF</b> HD/3G-A/SDR HD/3G-B/SDR HD PROMPTER	– 1920×1080/50P 1920×1080/50P –	<b>OFF</b> HD/3G-A/SDR HD/3G-B/SDR HD TRUNK IN	– 1920×1080/50P 1920×1080/50P –

\*1 Can be selected only when a CCU is connected.

\*2 Can be selected only in standalone operation.

<When HZC-UG50/UG50M/UG50W is installed>

SYSTEM FORMAT		HDR/ SDR	OUTPUT FORMAT			
RESOLUTION	FREQUENCY		OETF	SDI-1		SDI-2
RESOLUTION	FREQUENCY	OETF	Settings	Output formats	Settings	Output formats
1920×1080	50i(444)	SDR (fixed)	<b>OFF</b> HD/3G-B/SDR HD PROMPTER	– 1920×1080/50i(444) –	<b>OFF</b> HD/3G-B/SDR HD TRUNK IN *1 RET IN *2	– 1920×1080/50i(444) – –
	25PsF(444)	SDR (fixed)	<b>OFF</b> HD/3G-B/SDR HD PROMPTER	– 1920×1080/25PsF(444) –	<b>OFF</b> HD/3G-B/SDR HD TRUNK IN *1 RET IN *2	– 1920×1080/25PsF(444) – –
	24PsF(444)	SDR (fixed)	<b>OFF</b> HD/3G-B/SDR HD PROMPTER	– 1920×1080/24PsF(444) –	<b>OFF</b> HD/3G-B/SDR HD TRUNK IN *1 RET IN *2	– 1920×1080/24PsF(444) – –

\*1 Can be selected only when a CCU is connected.

\*2 Can be selected only in standalone operation.

### 3. Using HDC3500 with HKC-CN50 and HKC-TR37 installed for digital triax transmission (equivalent to HDC3170)

<Standard format>

SYSTEM FORMAT		HDR/ SDR	OUTPUT FORMAT	
RESOLUTION	FREQUENCY		OETF	SDI-1
RESOLUTION	FREQUENCY	OETF	Settings	Output formats
1920×1080	50P	S-Log3 HLG *2	<b>OFF</b> HD/3G-A/HDR HD/3G-B/HDR	– 1920×1080/50P 1920×1080/50P
		SDR	<b>OFF</b> HD/3G-A/SDR HD/3G-B/SDR	– 1920×1080/50P 1920×1080/50P
	50P(4K/HDR) *1	Set by CCU	<b>OFF</b>	–
	50i *1	SDR (fixed)	<b>OFF</b> HD/1.5G/SDR	– 1920×1080/50i
1280×720	50P	SDR (fixed)	<b>OFF</b> HD/1.5G/SDR	– 1280×720/50P

\*1 Can be selected only when a CCU is connected.

\*2 Can be selected only in standalone operation.

<When HZC-PSF50/PSF50M/PSF50W is installed>

SYSTEM FORMAT		HDR/ SDR	OUTPUT FORMAT	
RESOLUTION	FREQUENCY		OETF	SDI-1
RESOLUTION	FREQUENCY	OETF	Settings	Output formats
1920×1080	25PsF	SDR (fixed)	<b>OFF</b> HD/1.5G/SDR	– 1920×1080/25PsF

### 4. Using HDC3500 with HKC-CN50 and HKC-WL50 installed

<Standard format>

SYSTEM FORMAT		HDR/ SDR	OUTPUT FORMAT			
RESOLUTION	FREQUENCY		OETF	SDI-1		SDI-2
RESOLUTION	FREQUENCY	OETF	Settings	Output formats	Settings	Output formats
1920×1080	50i	SDR (fixed)	HD/1.5G/SDR	1920×1080/50i	<b>OFF</b> HD RETURN IN	– –
1280×720	50P	SDR (fixed)	HD/1.5G/SDR	1280×720/50P	<b>OFF</b> HD RETURN IN	– –

<When HZC-PSF50/PSF50M/PSF50W is installed>

SYSTEM FORMAT		HDR/ SDR	OUTPUT FORMAT			
RESOLUTION	FREQUENCY		OETF	SDI-1		SDI-2
RESOLUTION	FREQUENCY	OETF	Settings	Output formats	Settings	Output formats
1920×1080	25PsF	SDR (fixed)	HD/1.5G/SDR	1920×1080/25PsF	<b>OFF</b> HD RETURN IN	– –
	24PsF	SDR (fixed)	HD/1.5G/SDR	1920×1080/24PsF	<b>OFF</b> HD RETURN IN	– –

<When HZC-PRV50/PRV50M/PRV50W is installed>

SYSTEM FORMAT		HDR/SDR	OUTPUT FORMAT			
RESOLUTION	FREQUENCY		OETF	SDI-1		SDI-2
			Settings	Output formats	Settings	Output formats
1920×1080	50P	S-Log3 HLG	HD/3G-B/HDR	1920×1080/50P	<b>OFF</b> HD RETURN IN HD/3G-B/SDR	- - 1920×1080/50P
		SDR	HD/3G-B/SDR	1920×1080/50P	<b>OFF</b> HD RETURN IN	- -

<When HZC-HFR50/HFR50M/HFR50W/HFR50P is installed>

SYSTEM FORMAT		HDR/SDR	OUTPUT FORMAT			
RESOLUTION	FREQUENCY		OETF	SDI-1		SDI-2
			Settings	Output formats	Settings	Output formats
1920×1080	50P	S-Log3 HLG	HD/3G-B/HDR	1920×1080/50P	<b>OFF</b> HD RETURN IN	- -
		SDR	HD/3G-B/SDR	1920×1080/50P	<b>OFF</b> HD RETURN IN	- -
	50P(2x)	S-Log3 HLG	HD/3G-A/HDR/HFR	1920×1080/50P/Link A-B	<b>OFF</b> HD RETURN IN	- -
		SDR	HD/3G-A/SDR/HFR	1920×1080/50P/Link A-B	<b>OFF</b> HD RETURN IN	- -
	50P(3x)	S-Log3 HLG	HD/3G-A/HDR/HFR	1920×1080/50P/Link A-C	<b>OFF</b> HD RETURN IN	- -
		SDR	HD/3G-A/SDR/HFR	1920×1080/50P/Link A-C	<b>OFF</b> HD RETURN IN	- -
	50P(4x)	S-Log3 HLG	HD/3G-A/HDR/HFR	1920×1080/50P/Link A-D	<b>OFF</b> HD RETURN IN	- -
		SDR	HD/3G-A/SDR/HFR	1920×1080/50P/Link A-D	<b>OFF</b> HD RETURN IN	- -

<When HZC-DFR50/DFR50M/DFR50W is installed>

SYSTEM FORMAT		HDR/SDR	OUTPUT FORMAT			
RESOLUTION	FREQUENCY		OETF	SDI-1		SDI-2
			Settings	Output formats	Settings	Output formats
1920×1080	50P(2x)	S-Log3 HLG	HD/3G-A/HDR/HFR	1920×1080/50P/Link A-B	<b>OFF</b> HD RETURN IN	- -
		SDR	HD/3G-A/SDR/HFR	1920×1080/50P/Link A-B	<b>OFF</b> HD RETURN IN	- -

<When HZC-UHD50/UHD50M/UHD50W/UHD50P is installed>

SYSTEM FORMAT		HDR/SDR	OUTPUT FORMAT			
RESOLUTION	FREQUENCY		OETF	SDI-1		SDI-2
			Settings	Output formats	Settings	Output formats
3840×2160	50P	S-Log3 HLG	4K/12G/HDR 4K/3G-A/HDR	3840×2160/50P 3840×2160/50P	<b>OFF</b> HD RETURN IN HD/3G-B/SDR	- - 1920×1080/50P
		SDR	4K/12G/SDR 4K/3G-A/SDR	3840×2160/50P 3840×2160/50P	<b>OFF</b> HD RETURN IN HD/3G-B/SDR	- - 1920×1080/50P

SYSTEM FORMAT		HDR/ SDR	OUTPUT FORMAT			
RESOLUTION	FREQUENCY		OETF	SDI-1		SDI-2
			Settings	Output formats	Settings	Output formats
1920×1080	50P	S-Log3 HLG	HD/3G-B/HDR	1920×1080/50P	<b>OFF</b> HD RETURN IN HD/3G-B/SDR	- - 1920×1080/50P
		SDR	HD/3G-B/SDR	1920×1080/50P	<b>OFF</b> HD RETURN IN	- -

## FILE Menu

Seven types of files can be used for easy adjustments of the camera: Operator, Scene, Reference, Lens, OHB, Matrix, and BOX cursor files. You can store the items set with the OPERATION menu and

customized USER menu in the Operator file.

*For the specific items included in these files, refer to the Maintenance Manual.*

FILE			
Page name Page No.	Item	Settings	Description
<OPERATOR FILE> F01	READ (USB → CAM)	Execute using ENTER.	Reads the operator file from a USB drive.
	WRITE (CAM → USB)	Execute using ENTER.	Writes the current settings of the operator file items to a USB drive.
	PRESET	Execute using ENTER.	Sets the operator file items to the preset values in internal memory.
	STORE PRESET FILE	Execute using ENTER.	Stores the current settings of the operator file items in the operator file in internal memory.
	CLEAR PRESET FILE	Execute using ENTER.	Restores the operator file items stored in memory in the unit to the preset values.
<SCENE FILE> F02	1		Stores and reads scene files (paint data): When storing a file in camera memory, specify the number before executing STORE.
	2		
	3		When reading, only specify the number.
	4		
	5		
	STORE	Execute using ENTER.	
	01	<b>01</b> to 32	
	STANDARD	Execute using ENTER.	Reads the standard paint data.
	READ (USB → CAM)	Execute using ENTER.	Loads 32 scene files from a USB drive to internal memory.
	WRITE (CAM → USB)	Execute using ENTER.	Writes 32 scene files in the camera's memory to a USB drive.
	FILE ID	Max. 14 characters	Enters a comment for the scene files to be written to a USB drive. <i>See "To specify a character string" (page 30).</i>
	CAM CODE	Camera code	Display only
	DATE	Date	Display only
	DISSOLVE	<b>OFF</b> , ON	Switches scene files seamlessly.
	SPEED	0.2 to 2.8 (0.2 steps), 3 to 10 (1 steps), <b>0.2</b>	
<REFERENCE> F03	STORE FILE	Execute using ENTER.	Stores the current settings of the reference file items in the reference file in internal memory.
	STANDARD	Execute using ENTER.	Reads the standard values in the reference file in internal memory.
	ALL PRESET	Execute using ENTER.	Resumes the factory-preset reference file.
	READ (USB → CAM)	Execute using ENTER.	Loads a reference file from a USB drive.
	WRITE (CAM → USB)	Execute using ENTER.	Writes the current settings of the reference file items as a reference file to a USB drive.
	FILE ID	Max. 14 characters	Enters a comment for the reference file to be written to a USB drive. <i>See "To specify a character string" (page 30).</i>
	CAM CODE	Camera code	Display only
	DATE	Date	Display only

FILE			
Page name Page No.	Item	Settings	Description
<USER GAMMA> F04 Displayed only when HZC-UG50 series is installed	READ (USB → CAM)	Execute using ENTER.	Reads the user gamma file from a USB drive.
	PRESET	Execute using ENTER.	Sets the user gamma file items to the preset values in internal memory.
	FILE ID	Max. 14 characters	Enters a comment for the user gamma file to be written to a USB drive. See <i>"To specify a character string" (page 30)</i> .
	CAM CODE	Camera code	Display only
	DATE	Date	Display only
<LENS FILE> F05	STORE FILE	Execute using ENTER.	The center marker is not included.
	No.	1 to 17, <b>1</b>	1 to 16: When using a non-serial lens (When using a large lens, this setting depends on the internal setting of the lens.) 17: When using a serial lens
	NAME		Changeable only when using a non-serial lens.
	F NO	F1.0 to F3.4, <b>F1.7</b>	Changeable only when using a non-serial lens.
	CENTER MARKER		Sets and stores the center marker position:
	H POS	-48 to +48, <b>0</b>	H POS: Increasing the value moves the position to the right.
	V POS	-27 to +27, <b>0</b>	V POS: Increasing the value moves the position downwards.
<OHB FILE> F06	STORE FILE	Execute using ENTER.	Stores the offset values of items specific to the CMOS image sensor (once stored, the values do not need to be stored again if the sensor is reinstalled).
<MATRIX FILE> F07	CUSTOM PRESET MATRIX		Stores and reads preset files:
	STORE FILE	Execute using ENTER.	When storing a preset file in camera memory, specify the file number.
	1		
	2		
	3		
	4		
	5		
	CLEAR ALL	Execute using ENTER.	Clears all the files.
	READ (USB → CAM)	Execute using ENTER.	Loads five preset files from a USB drive to internal memory.
	WRITE (CAM → USB)	Execute using ENTER.	Writes five preset files in the camera's memory to a USB drive.
	FILE ID	Max. 14 characters	Enters a comment for the preset files to be written to a USB drive. See <i>"To specify a character string" (page 30)</i> .
CAM CODE	Camera code	Display only	
DATE	Date	Display only	
<BOX CURSOR FILE> F08	1:		BOX CURSOR FILE selection FILE name input.
	2:		Align the cursor to the left of the number to select the BOX CURSOR FILE.
	3:		Align the cursor to the right of the number to enter the BOX CURSOR FILE name.
	4:		See <i>"To specify a character string" (page 30)</i> .
	5:		
	STORE		Stores a BOX CURSOR FILE name in the camera.
READ (USB → CAM)		Transfers a BOX CURSOR FILE from a USB drive to the camera.	
WRITE (CAM → USB)		Transfers a BOX CURSOR FILE from the camera to a USB drive.	

## DIAGNOSIS Menu

This menu is only for viewing and camera settings cannot be made using this menu.

However, some items set the conditions for viewing.

DIAGNOSIS			
Page title Page No.	Item	Indication	Description
<OPTICAL LEVEL> D01	CCU → CAM	GREEN, YELLOW, RED, NG, NO SIGNAL	Not displayed when the HKC-TR37 is installed. <b>NO SIGNAL:</b> When CCU is not connected
	CAM → CCU	GREEN, YELLOW, RED, NG, NO SIGNAL	
	REFLECTION	OK, NG, --	Not displayed when the HKC-TR37 is installed. --: When CCU is not connected
	CABLE LENGTH	x.x km	Displays the camera cable length. (Displayed only when a CCU is connected.) Not displayed when the HKC-TR37 is installed.
<BOARD STATUS> D02	OHB	OK, NG	
	DPR	OK, NG	
	SY	OK, NG	
	PS	OK, NG	
	TX	OK, NG	Not displayed when the HKC-TR37 is installed.
	CD	OK, NG	Displayed only when the HKC-TR37 is installed.
	HOURS METER	xxxx H	Displays the total working time.
<ROM VERSION> D03 (U15)	CAMERA APP	Vx.xx	
	OS	Vx.xx	
	UPDATER	Vx.xx	
	PANEL	Vx.xx	Displayed only when HDLA is attached.
	SY	Vx.xx	
	DPR	Vx.xx	
	PS	Vx.xx	
	TX	Vx.xx	Not displayed when the HKC-TR37 is installed.
	CD1	OK, NG	Displayed only when the HKC-TR37 is installed.
	CD2	OK, NG	
	TR	OK, NG	
<SERIAL NO.> D04	MODEL	xxxxxxx	Displays the model name.
	NO.	xxxxxxx	Displays the serial number.
	EFFECTIVE FUNCTION		Displayed if any option is installed.
<POWER SUPPLY STATUS> D05	CAM LENGTH	x.x km	Displays the cable length that a CCU measured. (Displayed only when a CCU is connected.) Not displayed when the HKC-TR37 is installed.
	CABLE MARGIN	x.x m	Displays the possible cable length extension. (Displayed only when a CCU is connected.) Not displayed when the HKC-TR37 is installed.
	CAM INPUT VOLTAGE	0% to 100%	Displays the ratio of the input voltage on the camera to the output voltage on the CCU.
	CAM CONSUMPTION	0% to 100%	Displays camera power consumption.

### Note

This display has a margin of error for the display of the electric supply state of a camera. Use only as a guide.

---

# Appendix

---

## Precautions

### Note on laser beams

Laser beams may damage the CMOS image sensor. If you shoot a scene that includes a laser beam, be careful not to let a laser beam become directed into the CMOS image sensor of the camera.

### Do not subject to severe shocks

Damage to the case or internal components may result.

### When finished using

Set the power switch to OFF.

### Operation and storage environment

Store in a level place with air conditioning. If the unit gets wet, make sure it is completely dry before storage.

Avoid use or storage in the following places:

- Extremely hot or cold places
- Places with high humidity
- Places with strong vibration
- Near strong magnetic fields
- In places where it receives much direct sunlight, or near heating equipment

### Condensation

If the unit is suddenly taken from a cold to a warm location, or if ambient temperature suddenly rises, moisture may form on the outer surface of the unit and/or inside of the unit. This is known as condensation. If condensation occurs, turn off the unit and wait until the condensation clears before operating the unit. Operating the unit while condensation is present may damage the unit.

### About consumable parts

- The fan and battery are consumable parts that will need periodic replacement.  
When operating at room temperature, a normal replacement cycle will be about 5 years.  
However, this replacement cycle represents only a general guideline and does not imply that the life expectancy of these parts is guaranteed. For details on parts replacement, contact your dealer.
- The life expectancy of the electrolytic capacitor is about 5 years under normal operating temperatures and normal usage (8 hours per day; 25 days per month).  
If usage exceeds the above normal usage frequency, the life expectancy may be reduced correspondingly.

### Camera CMOS image sensor phenomena

#### Note

The following phenomena that may occur in images are specific to image sensors. They do not indicate a malfunction.

### White flecks

Although the image sensors are produced with high-precision technologies, fine white flecks may be generated on the screen in rare cases, caused by cosmic rays, etc. This is related to the principle of image sensors and is not a malfunction.

The white flecks especially tend to be seen in the following cases:

- When operating at a high environmental temperature
- When you have raised the gain (sensitivity)

### Flicker

If shooting under lighting produced by fluorescent lights, sodium lamps, mercury-vapor lamps, or LEDs, the screen may flicker or colors may vary.

### To prevent electromagnetic interference from portable communications devices

The use of portable telephones and other communications devices near this camera can result in malfunctions and interference with audio and video signals.

It is recommended that the portable communications devices near this camera be powered off.

---

## Digital Triax Transmission (when HKC-TR37 is installed)

A powerful error-correction function is incorporated for the transmission between the camera and CCU. However, if an error occurs on long-distance transmission because of external noise or for some other reason, the compensation by interpolation that partially uses the previous picture may operate.

In digital triax transmission, the following video delay in transmission may occur.

- The video delay in transmission between the camera and the CCU is approx. 9 ms to 12 ms.
- A delay of about 1 frame occurs on the viewfinder display if a camera image is sent back from the CCU to the camera as a return signal.
- An appropriate delay is applied to the MIC 1 and 2 audio signals from the CCU to match the video delay.
- A certain time is required for the video signal transmitted between the camera and the CCU to stabilize after power is applied. This is not a malfunction.

### Triax Transmission Distances

The maximum and minimum transmission distances allowed for triax cable connection are shown in the table below. The distances may vary according to the conditions, such as the total power requirements (including the power supply to the camera from the CCU) and cable degradation. Allowable transmission range when using triax cables with the following characteristics:

Attenuation: 3.8 dB to 68.4 dB at 100 MHz (including the connector loss)

Cable type (example)		Max. distance	Min. distance
Fujikura	8.5 mm dia.	900 m (2953 ft)	50 m (164 ft)
Fujikura	14.5 mm dia.	1800 m (5906 ft)	100 m (328 ft)
Belden 9232	13.2 mm dia.	1300 m (4265 ft)	75 m (246 ft)

---

## Error Messages

If a problem occurs during operation, a warning message is displayed.

### Note

To display a message, set the DISPLAY switch to DISPLAY or MENU.

Message	Meaning
TEMP WARNING	The internal temperature is abnormally high.
FAN STOP	The built-in fan is not rotating properly.
SET CORRECT SYSTEM DATE	The time/date of the internal clock have not been set.
OHB BLOCK NG!	A problem is detected in the optical block.
NO USB FLASH DRIVE	A USB drive operation was attempted with no USB drive connected.
USB FLASH DRIVE ERROR	An error occurred during access to a USB drive.
FORMAT ERROR!	A USB drive operation was attempted with an unformatted USB drive.
WRITE PROTECTED	File writing was attempted with a write-protected USB drive.
FILE ERROR	An error occurred while reading a file from a USB drive.
OTHER MODEL'S FILE	You attempted to read a file of other models having no compatibility.
FILE NOT FOUND	The file you attempted to read does not exist in the USB drive.

# Using a USB Drive

You can connect a USB drive to the USB connector to save and load the settings data file.

The following Sony USB drives are recommended. (As of July, 2018)

Series	Product
USM-QX series	USM8GQX, USM16GQX, USM32GQX, USM64GQX, USM128GQX
USM-T series (Japan only)	USM8GT, USM16GT, USM32GT, USM64GT, USM128GT
USM-U series	USM4GU, USM8GU, USM16GU, USM32GU, USM64GU, USM128GU
USM-X series	USM8X, USM16X, USM32X, USM64X
USM-W3 series	USM8W3, USM16W3, USM32W3, USM64W3, USM128W3
USM-R series	USM4GR, USM8GR, USM16GR, USM32GR, USM64GR
USM-W series	USM8W, USM16W, USM32W, USM64W
USM-M1 series	USM8M1, USM16M1, USM32M1, USM64M1
USM-SA3 series	USM16SA3, USM32SA3, USM64SA3
USM-SA2 series	USM16SA2, USM32SA2, USM64SA2
USM-SA1 series	USM8SA1, USM16SA1, USM32SA1, USM64SA1
USM-CA1 series	USM16CA1, USM32CA1, USM64CA1
USM-L series (discontinued)	USM1GL, USM2GL, USM4GL, USM8GL, USM16GL, USM32GL
USM-LX series (discontinued)	USM1GLX, USM2GLX, USM4GLX, USM8GLX, USM16GLX, USM32GLX, USM64GLX
USM-N series (discontinued)	USM4GN, USM8GN, USM16GN, USM32GN
USM-P series (discontinued)	USM4GP, USM8GP, USM16GP, USM32GP, USM64GP
USM-M series (discontinued)	USM4GM, USM8GM, USM16GM, USM32GM
USM-Q series (discontinued)	USM8GQ, USM16GQ, USM32GQ, USM64GQ
USM-S series (discontinued)	USM4GS, USM8GS, USM16GS
USM-V series (discontinued)	USM4GV, USM8GV

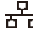
## Notes

- USB drives other than those recommended may not be recognized when connected to the USB connector.
- USB drives must be formatted with the FAT16 or FAT32 file system. Recommended Sony USB drives are preformatted, and can be used without any prior setup.

# Specifications

## HDC5500

General	
Power requirements	240 V AC, 1.4 A (max.) 12 V DC, 9.5 A (max.) 240 V DC, 1.05 A (max.)
Operating temperature	-20 °C to +45 °C (-4 °F to +113 °F)
Storage temperature	-20 °C to +60 °C (-4 °F to +140 °F)
Mass	Approx. 5.0 kg (11 lb 0.4 oz) (Unit only)
External dimensions	See <i>page 100</i> .
Imaging element	
Imaging element	2/3 inch CMOS sensor with global shutter
Form	3-chip, RGB
Electrical characteristics	
Sensitivity	F10.0 with 1080/59.94P F11.0 with 1080/50P (at 2000 lx with 89.9% reflectance)
Noise level	-62 dB
Horizontal resolution	2000 TV lines at center of screen 5% or higher modulation
Geometric distortion	Negligible (not including lens distortion)
Optical system specifications	
Spectral system	F1.4 prism
Built-in filters	ND filters 1: CLEAR 2: 1/4ND 3: 1/8ND 4: 1/16ND 5: 1/64ND  Color temperature conversion filters A: Cross filter B: 3200K (clear) C: 4300K D: 6300K
Input/output connectors	
CCU	Optical/electrical multi connector (1)
LENS	12-pin (1)
VF	20-pin (1)
MIC 1 IN	XLR 3-pin, female (1)
AUDIO IN CH1, CH2	XLR 3-pin, female (1 each) When AUDIO switch is set to MIC: -60 dBu (can be selected up to -20 dBu by menu operation), balanced When AUDIO switch is set to LINE: 0 dBu, balanced
INTERCOM 1, INTERCOM 2	XLR 5-pin, female (1 each)
EARPHONE	4-pole mini jack (1) (2-pole mono, 3-pole stereo, 4-pole CTIA standard, 4-pole OMTP standard)
DC IN	XLR 4-pin (1), 10.5 V to 17 V DC

DC OUT	4-pin (1), 10.5 V to 17 V DC, max. 0.5 A (This may be limited by the imposed load or input conditions.) 2-pin (1), 10.5 V to 17 V DC, max. 2.5 A (This may be limited by the imposed load or input conditions.)
SDI 1, SDI 2, SDI 3	BNC type (1 each)
SDI MONI	BNC type (1)
TEST OUT	BNC type (1)
PROMPTER/GENLOCK	BNC type (1) PROMPTER 1 Vp-p, 75 Ω GENLOCK HD: SMPTE ST274, tri-level sync, 0.6 Vp-p, 75 Ω SD: Black burst (NTSC: 0.286 Vp-p, 75 Ω/ PAL: 0.3 Vp-p, 75 Ω)
RET CTRL	6-pin (1)
REMOTE	8-pin (1)
TRACKER	12-pin (1)
CRANE	12-pin (1)
USB	USB 2.0 Type A 4-pin (1) (for connecting USB drive)
NETWORK TRUNK	 RJ-45 type 8-pin (1)
Supplied accessories	
Before Using This Unit (1)	
Operating Instructions (CD-ROM) (1)	
Cable clamp belt (1 set)	
Screws (+B3×8) (2)	
Attached label (1)	

## Optional accessories/related equipment

Optional accessories	
Triax Transmission Adaptor	HKC-TR37
Side Panel Attachment Kit	HKC-CN50
UHB Fiber Transmission Adaptor	HKC-FB50
Fiber Transmission Adaptor	HKC-FB30
Camera Operating Software	HZC-DFR50/DFR50M/DFR50W HZC-HFR50/HFR50M/HFR50W/ HFR50P HZC-PRV50/PRV50M/PRV50W HZC-PSF50/PSF50M/PSF50W HZC-UHD50/UHD50M/UHD50W/ UHD50P HZC-UG50/UG50M/UG50W
Wireless Transmission Adaptor	HKC-WL50
HD Electronic Viewfinder	HDVF-EL20 (0.7-type, color) HDVF-EL30 (0.7-type, color) HDVF-EL75 (7.4-type, color) HDVF-L750 (7-type, color) HDVF-L770 (7-type, color)
Large Lens Adaptor	HDLA1500/1505

Large Viewfinder Adaptor	HDLA1507
Microphone Holder	CAC-12
Return Video Selector	CAC-6
Tripod Attachment	VCT-14
Low-repulsion Shoulder Pad	A-8286-346-A
<b>Related equipment</b>	
HDCU5000/5500 Camera Control Unit	
RCP-3000/1000 series Remote Control Panel	
CNA-1 Camera Control Network Adaptor	

## HDC3500

### General

Power requirements	240 V AC, 1.4 A (max.) 12 V DC, 9.5 A (max.) 240 V DC, 1.05 A (max.)
Operating temperature	-20 °C to +45 °C (-4 °F to +113 °F)
Storage temperature	-20 °C to +60 °C (-4 °F to +140 °F)
Mass	Approx. 4.9 kg (10 lb 13 oz) (HDC3500 as shipped) Approx. 5.1 kg (11 lb 4 oz) (when HKC-TR37 is installed) Approx. 4.9 kg (10 lb 13 oz) (when HKC-FB30 is installed) Approx. 5.0 kg (11 lb 0.4 oz) (when HKC-FB50 is installed)
Dimensions	See <i>page 100</i> .

### Imager

Imager	2/3 inch CMOS sensor with global shutter
Method	3-chip, RGB

### Electrical characteristics


Sensitivity	F10.0 with 1080/59.94P F11.0 with 1080/50P (Progressive output option installed) (at 2000 lx with 89.9% reflectance)
Noise level	-62 dB
Horizontal resolution	2000 TV lines (at center of screen, 4K output option installed) 5% or higher modulation
Geometric distortion	Negligible (not including lens distortion)

### Optical system specifications

Spectral system	F1.4 prism
Built-in filters	ND filters 1: CLEAR 2: 1/4ND 3: 1/8ND 4: 1/16ND 5: 1/64ND  Color temperature conversion filters A: cross filter B: 3200K(clear) C: 4300K D: 6300K

### Input/output connectors

CCU	Optical/electrical multi-connector (1)
LENS	12-pin (1)
VF	20-pin (1)

MIC 1 IN	XLR 3-pin, female (1)
AUDIO IN CH1, CH2	XLR 3-pin, female (1 each) AUDIO switch for MIC: -60 dBu (can be selected up to -20 dBu in the menu), balanced AUDIO switch for LINE: 0 dBu, balanced
INTERCOM 1, INTERCOM 2	XLR 5-pin, female (1 each)
EARPHONE	4-pole mini jack (1) (2-pole mono, 3-pole stereo, 4-pole CTIA standard, 4-pole OMTP standard)
DC IN	XLR 4-pin (1), DC 10.5 V to 17 V
DC OUT	4-pin (1), DC 10.5 V to 17 V, max. 0.5 A (This may be limited by the imposed load or inputs.) 2-pin (1), DC 10.5 V to 17 V Max. 2.5 A (This may be limited by the imposed load or inputs.)
SDI 1, SDI 2	BNC-type (1-each)
SDI MONI	BNC-type (1)
TEST OUT	BNC-type (1)
PROMPTER/GENLOCK	BNC-type (1) PROMPTER 1 Vp-p, 75 Ω GENLOCK HD: SMPTE ST274, tri-level sync, 0.6 Vp-p, 75 Ω SD: Black burst (NTSC: 0.286 Vp-p, 75 Ω/ PAL: 0.3 Vp-p, 75 Ω)
PROMPTER2	BNC-type (1), 1 Vp-p, 75 Ω
RET CTRL	6-pin (1)
REMOTE	8-pin (1)
TRACKER	12-pin (1)
CRANE	12-pin (1)
USB	USB 2.0 Type A 4-pin (1) (for connecting USB drive)
NETWORK TRUNK	 RJ-45 type 8-pin (1)

### Supplied accessories

Before Using This Unit (1)
Operating Instructions (CD-ROM) (1)
Cable clamp belt (1 set)
Screws (+B3×8) (2)
Attached label (1)

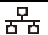
## Optional accessories/related equipment

### Optional accessories

Triax Transmission Adaptor	HKC-TR37
Side Panel Attachment Kit	HKC-CN50
UHB Fiber Transmission Adaptor	HKC-FB50
Fiber Transmission Adaptor	HKC-FB30

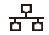
Camera Operating Software	HZC-DFR50/DFR50M/DFR50W HZC-HFR50/HFR50M/HFR50W/HFR50P HZC-PRV50/PRV50M/PRV50W HZC-PSF50/PSF50M/PSF50W HZC-UHD50/UHD50M/UHD50W/UHD50P HZC-UG50/UG50M/UG50W
Wireless Transmission Adaptor	HKC-WL50
HD Electronic Viewfinder	HDVF-EL20 (0.7-type, color) HDVF-EL30 (0.7-type, color) HDVF-EL75 (7.4-type, color) HDVF-L750 (7-type, color) HDVF-L770 (7-type, color)
Large Lens Adaptor	HDLA1500/1505
Large Viewfinder Adaptor	HDLA1507
Microphone Holder	CAC-12
Return Video Selector	CAC-6
Tripod Attachment	VCT-14
Low-repulsion Shoulder Pad	A-8286-346-A
<b>Related equipment</b>	
HDCU3100/3170/3500/5000 Camera Control Unit	
HDCU2000-series HD Camera Control Unit	
RCP-3000/1000 series Remote Control Panel	
CNA-1 Camera Control Network Adaptor	

## HKC-FB50

<b>General</b>	
Operating temperature	-20 °C to +45 °C (-4 °F to +113 °F)
Storage temperature	-20 °C to +60 °C (-4 °F to +140 °F)
Dimensions (width / height / depth)	56 × 181 × 338 mm (2 <sup>1</sup> / <sub>4</sub> × 7 <sup>1</sup> / <sub>4</sub> × 13 <sup>3</sup> / <sub>8</sub> in.)
Mass	Approx. 0.8 kg (1 lb. 12 oz.)
<b>Input/output connectors</b>	
CCU	Optical/electrical multi-connector (1)
SDI1, SDI2, SDI3	BNC type (1 each)
DC OUT	2-pin (1)
NETWORK TRUNK	 RJ-45 type 8-pin (1)
<b>Supplied accessories</b>	
Attached label (1)	
Operating Instructions (1)	

## HKC-FB30

<b>General</b>	
Operating temperature	-20 °C to +45 °C (-4 °F to +113 °F)
Storage temperature	-20 °C to +60 °C (-4 °F to +140 °F)
Dimensions (width / height / depth)	56 × 181 × 338 mm (2 <sup>1</sup> / <sub>4</sub> × 7 <sup>1</sup> / <sub>4</sub> × 13 <sup>3</sup> / <sub>8</sub> in.)
Mass	Approx. 0.7 kg (1 lb. 8.7 oz.)
<b>Input/output connectors</b>	
CCU	Optical/electrical multi-connector (1)
SDI1, SDI2	BNC type (1 each)

PROMPTER2	BNC type (1), 1 Vp-p, 75 Ω
DC OUT	2-pin (1)
NETWORK TRUNK	 RJ-45 type 8-pin (1)
<b>Supplied accessories</b>	
Attached label (1)	
Operating Instructions (1)	

## HKC-TR37

<b>General</b>	
Operating temperature	-20 °C to +45 °C (-4 °F to +113 °F)
Storage temperature	-20 °C to +60 °C (-4 °F to +140 °F)
Dimensions (width / height / depth)	58 × 181 × 338 mm (2 <sup>3</sup> / <sub>8</sub> × 7 <sup>1</sup> / <sub>4</sub> × 13 <sup>3</sup> / <sub>8</sub> in.)
Mass	Approx. 1.0 kg (2 lb. 3.3 oz.)
<b>Input/output connectors</b>	
CCU	Triax connector (1)
SDI	BNC type (1)
DC OUT	2-pin (1)
<b>Supplied accessories</b>	
Attached label (1)	
Operating Instructions (1)	

## HKC-CN50

<b>General</b>	
Operating temperature	-20 °C to +45 °C (-4 °F to +113 °F)
Storage temperature	-20 °C to +60 °C (-4 °F to +140 °F)
Dimensions (width / height / depth)	150 × 50 × 20 mm (6 × 2 × 1 <sup>3</sup> / <sub>16</sub> in.)
Mass	Approx. 0.06 kg (2.1 oz.)
<b>Supplied accessories</b>	
Harness (1)	
Stepped screws (3)	
Screws (PSW 3×6) (2)	
Operating Instructions (1)	
Cushion (2)	

## HKC-WL50

<b>General</b>	
Operating temperature	-20 °C to +45 °C (-4 °F to +113 °F)
Storage temperature	-20 °C to +60 °C (-4 °F to +140 °F)
Dimensions (width / height / depth)	Side panel: 340 × 176 × 54 mm (13 <sup>1</sup> / <sub>2</sub> × 7 × 2 <sup>1</sup> / <sub>4</sub> in.) Battery adaptor: 96 × 212 × 111 mm (3 <sup>7</sup> / <sub>8</sub> × 8 <sup>3</sup> / <sub>8</sub> × 4 <sup>3</sup> / <sub>8</sub> in.)
Mass	Side panel: Approx. 1 kg (2 lb. 3.3 oz.) Battery adaptor: Approx. 0.6 kg (1 lb. 5.2 oz.)
<b>Input/output connectors</b>	
SDI 1A (MCX type)	
SDI 1B (MCX type)	
SDI 1C (MCX type)	

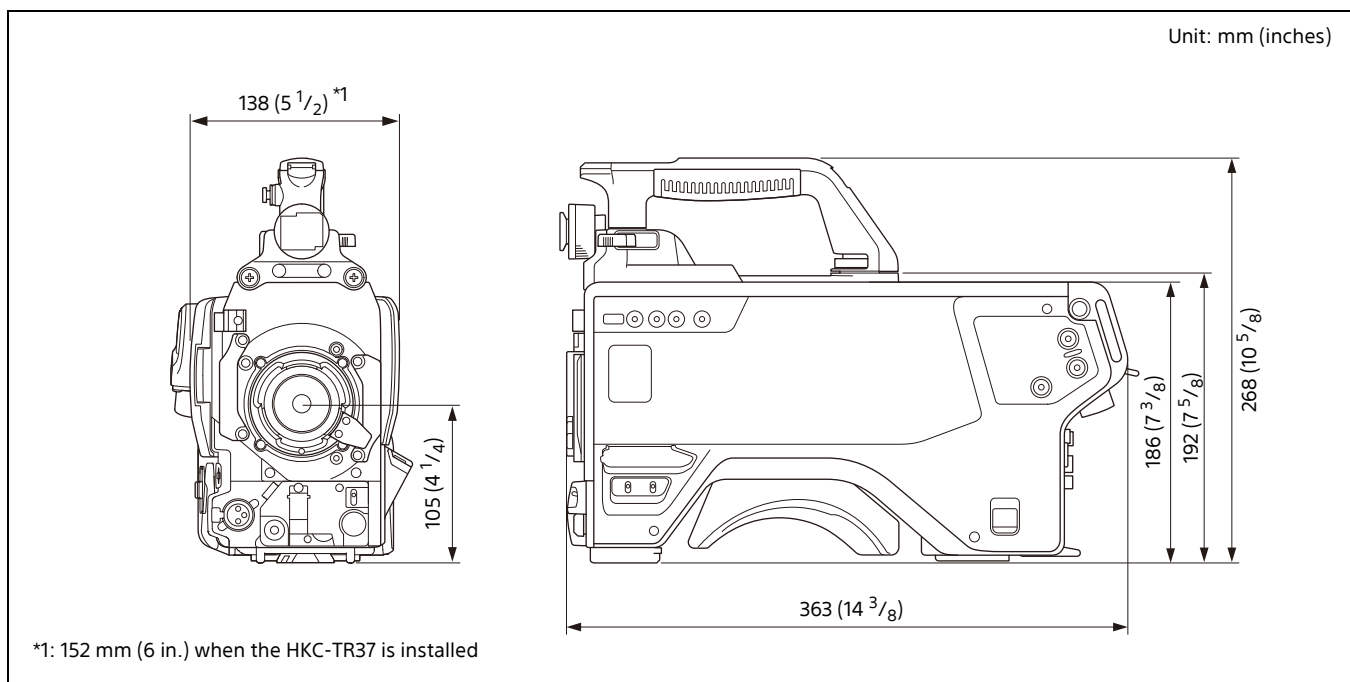
SDI 1D (MCX type)
SDI 2 (MCX type)
POWER CONNECTOR HD15 (D-Sub 15-pin)
<b>Supplied accessories</b>
Harness (1)
Attachment fittings (1 set)
Nut (1)
Operating Instructions (1)
Rating label (1)
Antenna cushion (1)

Design and specifications are subject to change without notice.

**Notes**

- Always verify that the unit is operating properly before use. SONY WILL NOT BE LIABLE FOR DAMAGES OF ANY KIND INCLUDING, BUT NOT LIMITED TO, COMPENSATION OR REIMBURSEMENT ON ACCOUNT OF THE LOSS OF PRESENT OR PROSPECTIVE PROFITS DUE TO FAILURE OF THIS UNIT, EITHER DURING THE WARRANTY PERIOD OR AFTER EXPIRATION OF THE WARRANTY, OR FOR ANY OTHER REASON WHATSOEVER.
- SONY WILL NOT BE LIABLE FOR CLAIMS OF ANY KIND MADE BY USERS OF THIS UNIT OR MADE BY THIRD PARTIES.
- SONY WILL NOT BE LIABLE FOR THE TERMINATION OR DISCONTINUATION OF ANY SERVICES RELATED TO THIS UNIT THAT MAY RESULT DUE TO CIRCUMSTANCES OF ANY KIND.

**Dimensions**



**Open Source Software Licenses**

On the basis of license contracts between Sony and the software copyright holders, this product uses open software. To meet the requirements of the software copyright holders, Sony is obligated to inform you of the content of these licenses. For the content of these licenses, see the PDF file in the "License" folder of the supplied CD-ROM. Adobe Reader must be installed on your computer to view PDF files.

**About the MPEG-4 Visual Patent Portfolio License**

The MPEG-4 Visual Patent Portfolio License is applicable only when the HKC-TR37 Triax Transmission Adaptor is installed.

**MPEG-4 Visual Patent Portfolio License**

THIS PRODUCT IS LICENSED UNDER THE MPEG-4 VISUAL PATENT PORTFOLIO LICENSE FOR THE PERSONAL AND NONCOMMERCIAL USE OF A CONSUMER FOR

- (i) ENCODING VIDEO IN COMPLIANCE WITH THE MPEG-4 VISUAL STANDARD ("MPEG-4 VIDEO") AND/OR
- (ii) DECODING MPEG-4 VIDEO THAT WAS ENCODED BY A CONSUMER ENGAGED IN A PERSONAL AND NON-

COMMERCIAL ACTIVITY AND/OR WAS OBTAINED FROM A VIDEO PROVIDER LICENSED BY MPEG LA TO PROVIDE MPEG-4 VIDEO.

NO LICENSE IS GRANTED OR SHALL BE IMPLIED FOR ANY OTHER USE. ADDITIONAL INFORMATION INCLUDING THAT RELATING TO PROMOTIONAL, INTERNAL AND COMMERCIAL USES AND LICENSING MAY BE OBTAINED FROM MPEG LA, LLC. SEE [HTTP://WWW.MPEGLA.COM](http://www.mpegla.com)

MPEG LA is offering licenses for (i) manufacturing/sales of any storage media storing MPEG-4 Visual video information (ii) distribution/broadcasting of MPEG-4 Visual video information in any manner (such as online video distribution service, internet broadcasting, TV broadcasting). Other usage of this product may be required to obtain license from MPEGLA. Please contact MPEG LA for any further information. MPEG LA, L.L.C., 250 STEELE STREET, SUITE 300, DENVER, COLORADO 80206, <http://www.mpegla.com>