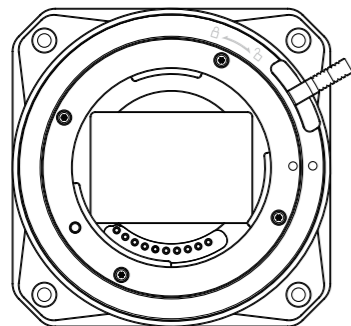


VILTROX

E-T10 II

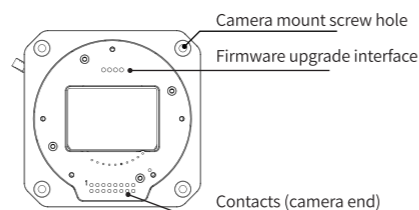
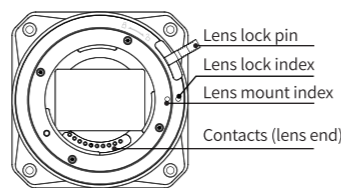


Thank you for choosing Viltrox mount adapter!

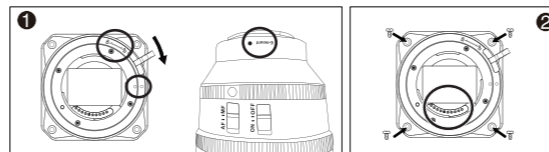
*Before setting the Viltrox mount adapter on your camera, please read this manual carefully for your proper or better use of the adapter.

Product function

Viltrox E-T10 II is a mount adapter that can transfer the E mount series lenses to the Z CAM(E2-F6) cameras.



Install/Uninstall the adapter ring



Product Installation

1. Mount the adapter ring to the E mount series lenses
Firstly, rotate the lens lock pin of the adapter ring towards the " " direction to make the lens lock index coincide with the lens mount index. Then, align the lens mount index of the E mount with the lens lock index of the adapter ring. Rotate the lens lock towards the " " direction to make the lens lock and the lens lock tightly. (1)

2. Install the adapter ring to the Z CAM camera
Align the contacts on the adapter ring with the contacts on the Z CAM camera, and then use the screws provided with the camera to lock the four corners of the adapter ring tightly. (2)

Product Uninstallation

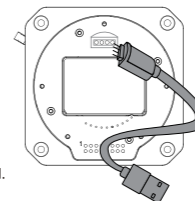
1. Remove the adapter ring from the camera
Turn off the camera power and unscrew the screws at the four corners of the adapter ring to remove it.

2. Remove the adapter ring on the E mount series lens
Turn the lens latch on the adapter ring to the direction of " ", and remove the adapter ring when the lens latch stops rotating.

Note: If the lens is too heavy during operation, hold the lens tightly, especially when attaching it to the camera.

Firmware Update

1. Remove the adapter ring and place it separately from the camera and lens.
2. Download the latest firmware from Viltrox official website: www.viltrox.com.
3. Connect the adapter ring to the computer with a dedicated upgrade cable (as shown in the figure).
4. The new hard disk "E-T10 E2MFT" will appear in the computer.
5. Unzip the file and copy it to "E-T10 E2MFT". Once the file transfer is complete, the disappearance of the drive signifies that the firmware upgrade has been completed.



Note:

1. If your computer can't recognize the drive, check if the dedicated upgrade cable is correctly connected to the adapter ring and ensure the connection is good.
2. The insertion direction of the upgrade line should be consistent with the direction " " of the upgrade interface, **with the arc facing the arc.**

Attentions

1. Make sure that the camera is compatible with the lens before using this adapter ring.
2. Adaptation of physical mechanical structure, which does not affect the performance and imaging quality of main lens.
3. When the lens is heavier than the camera, be sure to hold the lens when moving the camera and shooting.
4. when shooting in rain, please try not to get this adapter ring wet.
5. If it is not used for a long time, please store the device with the desiccant under sealed state.
6. Please keep this manual properly so that you can refer to it at any time in the future.

Specifications

Compatible lens	Sony E-mount series lens
Compatible cameras	Z CAM (E2-F6)
Dimension	80.3mm × 75.2mm × 22mm

VILTROX

Warranty Card

Viltrox international warranty card is an important file. In case of requiring any warranty services during the warranty period, user needs to show the warranty card and original of invoice, both of which are stamped by the Company's authorized dealer. For any information about the change of our designated maintenance outlets and other information, please visit our website at www.viltrox.com. Please keep the warranty card properly, which will not be reissued once lost.

Product name		Dealer's name/seal
Model		
Warranty period		
Date of purchase		
Contact		

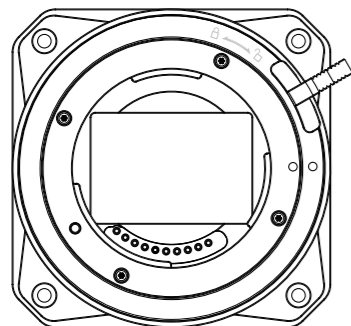


Shenzhen Jueying Technology Co., Ltd.
 TEL: +86-755-2877 9024
 FAX: 0755-2877 4730
 Address: 1207, Floor 12, Block B, Chinto Science&Technology Building, Minzhi Street, Longhua, Shenzhen, Guangdong, China
 Production Address: Floor 3, Building 1, Simaiou Science Park, No. 52-1, Juyuan Road, Qiuchang Town, Huiyang District, Huizhou City, Guangdong Province

Executive Standard: Q/JYKJ001-2019
 URL: www.viltrox.com

VILTROX 唯卓仕

E-T10 II

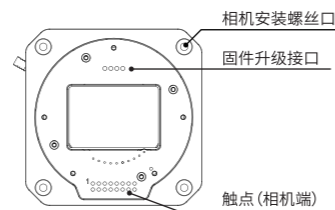
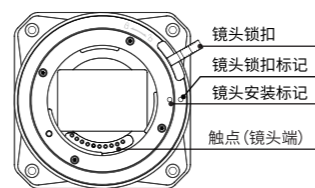


感谢您使用唯卓仕转接环!

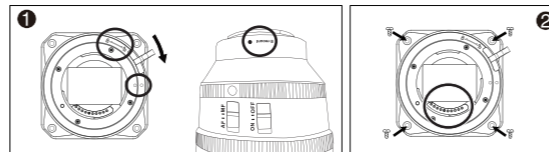
*在把唯卓仕转接环安装到您的相机上前,请仔细阅读本说明书,以便能够了解和正确使用转接环的全部功能。

产品功能

唯卓仕 E-T10 II 是一款能将E卡口的镜头转接到Z CAM(E2-F6)相机上的转接环。



安装/卸载转接环



安装产品

1. 将转接环安装到E卡口系列的镜头上
首先向" "方向转动转接环的镜头锁扣,使镜头锁扣标记与镜头安装标记重合,然后将E卡口的镜头安装标记与转接环的镜头锁扣标记对齐,向" "方向转动镜头锁扣,使镜头锁扣与镜头锁紧 (1)。

2. 将转接环安装到Z CAM相机上
将转接环上的触点与Z CAM相机的触点重合,然后使用相机转配的螺丝把转接环的四个角锁紧 (2)。

卸载产品

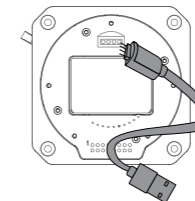
1. 将相机上的转接环卸下
关闭相机电源,把转接环四个角的螺丝拧下即可卸下转接环。

2. 将E卡口系列镜头上的转接环卸下
向" "方向转动转接环上的镜头锁扣,在镜头锁扣停止转动时将转接环取下。

注意:在操作过程中,如果镜头过重,请握紧镜头,尤其是安装到相机上时。

固件升级

1. 将转接环从相机和镜头上取下单独放置。
2. 从官网www.viltrox.com下载最新固件。
3. 将转接环通过升级专用线连接到电脑(如图)。
4. 新硬盘"E-T10 E2MFT"会在电脑中出现。
5. 将文件解压后复制到"E-T10 E2MFT",待文件传输完成后,盘符主动消失代表固件升级完成。



注意:

1. 如电脑无法识别盘符时,请查看转接环专用升级线与转接环是否正确连接,接触是否良好。
2. 升级线的插入方向要跟升级接口的方向" "一致, **圆弧对圆弧。**

注意事项

1. 在使用本设备之前,请确保相机与镜头兼容。
2. 本转接环为物理机械结构转接,不影响主体镜头性能和成像质量。
3. 当您使用的镜头比相机重时,在移动相机及进行拍摄时请务必握住镜头。
4. 在雨天拍摄,尽量不要淋湿本设备。
5. 如果长期不使用,请将本设备与干燥剂一起密封保存。
6. 请务必妥善保管好本说明书,以便日后能随时查阅。

产品规格

兼容镜头	索尼E卡口系列镜头
兼容相机	Z CAM (E2-F6)
尺寸	80.3mm × 75.2mm × 22mm

VILTROX 唯卓仕

产品保修卡

Viltrox国际性保修卡为重要文件,为享有产品的保修服务,在保修登记期间请出示本保修卡与发票正本,须有本公司授权经销商盖章。唯卓仕指定维修站及其他咨询变更,可访问公司网站:www.viltrox.com 请妥善保管好本保修卡,如有遗失,恕不补发。

产品名称		经销商名称/盖章
型号		
保修期限		
购买时间		
联系方式		



深圳市爵影科技有限公司
 电话: +86-755-2877 9024
 电邮: info@viltrox.com
 地址: 广东省深圳市龙华区民治街道展滔大厦B栋12楼1207号
 生产地址: 广东省惠州市惠阳区秋长街道桔园路52-1号斯迈欧科技园1栋3楼

执行标准: Q/JYKJ001-2019
 传真: 0755-2877 4730
 网址: www.viltrox.com