

SPEAKER MOUNTING BRACKETS

HY-WM1B HY-WM1W HY-WM1WP

TOA's HY-WM1 series are used exclusively to mount the HX-5 series speaker system to a wall or ceiling.

These brackets permit the speaker to be tilted downward up to 20° from the horizontal when the speaker is mounted on a wall, or tilted up to 20° from the vertical when the speaker is mounted on a ceiling. Both the HY-WM1B and the HY-WM1W are designed for indoor use, while the HY-WM1WP is designed for under-eave use.

1. SAFETY PRECAUTIONS

- Before installation or use, be sure to carefully read all the instructions in this section for correct and safe operation.
- Be sure to follow all the precautionary instructions in this section, which contain important warnings and/or cautions regarding safety.
- After reading, keep this manual handy for future reference.

WARNING

Indicates a potentially hazardous situation which, if mishandled, could result in death or serious personal injury.

- Install the unit only in a location that can structurally support the weight of the unit and the speaker. Doing otherwise may result in the speaker falling down and causing personal injury and/or property damage.
- (HY-WM1B and HY-WM1W only)
Since the unit is designed for in-door use, do not install it outdoors. If installed outdoors, the aging of parts causes the unit to fall off, resulting in personal injury. Also, when it gets wet with rain, there is a danger of electric shock.
- Owing to the speaker's size and weight, be sure that at least two persons are available to install the speaker. Failure to do so could result in personal injury.
- Do not use other methods than specified to mount the bracket. Extreme force is applied to the unit and the speaker could fall off, possibly resulting in personal injuries.
- Use nuts and bolts that are appropriate for the wall's or ceiling's structure and composition. Failure to do so may cause the speaker to fall, resulting in material damage and possible personal injury.
- Tighten each nut and bolt securely. Ensure that the bracket has no loose joints after installation to prevent accidents that could result in personal injury.
- Use the specified speaker in combination. Doing otherwise may cause the speaker to fall off, resulting in personal injury.
- Do not mount the unit in locations exposed to constant vibration. The mounting bracket can be damaged by excessive vibration, potentially causing the speaker to fall, which could result in personal injury.
- Avoid installing the speaker in locations close to the seashore or in indoor swimming facilities that are not well ventilated. In such locations the bracket may be vulnerable to corrosion, eventually allowing the speaker to fall resulting in personal injury.

CAUTION

Indicates a potentially hazardous situation which, if mishandled, could result in moderate or minor personal injury, and/or property damage.

- Avoid touching the unit's sharp metal edge to prevent injury.

2. PRECAUTIONS WHEN INSTALLING THE HY-WM1WP

- Only the HY-WM1WP can be installed under eaves.
- Only the HX-5B-WP and HX-5W-WP speakers can be installed under eaves.
- All speaker modules must point downward from the horizontal. Failure to do so could adversely affect their intended performance as a splash-proof speaker and their weather-resistant capabilities, leading to malfunction.
- When installing the HX-5B-WP or HX-5W-WP speaker outdoors, be sure to mount it under eaves wherever possible to prevent direct exposure to rain and wind. Failure to follow this instruction could cause the speaker to exceed its capabilities as a splash-proof speaker, potentially leading to malfunction.

3. INSTALLATION

Step 1. Remove the HX-5 series' rear plate, and attach the unit instead.

Step 2. Attach the rear plate (removed in **Step 1**) to the unit.

Step 3. Mount the rear plate to a wall or ceiling.

Note

Anchor bolts, nuts, and washers required for mounting are not supplied with the bracket.

Step 4. Loosen the vertical angle adjustment bolts, fix the speaker in the desired orientation and retighten the angle adjustment bolts.

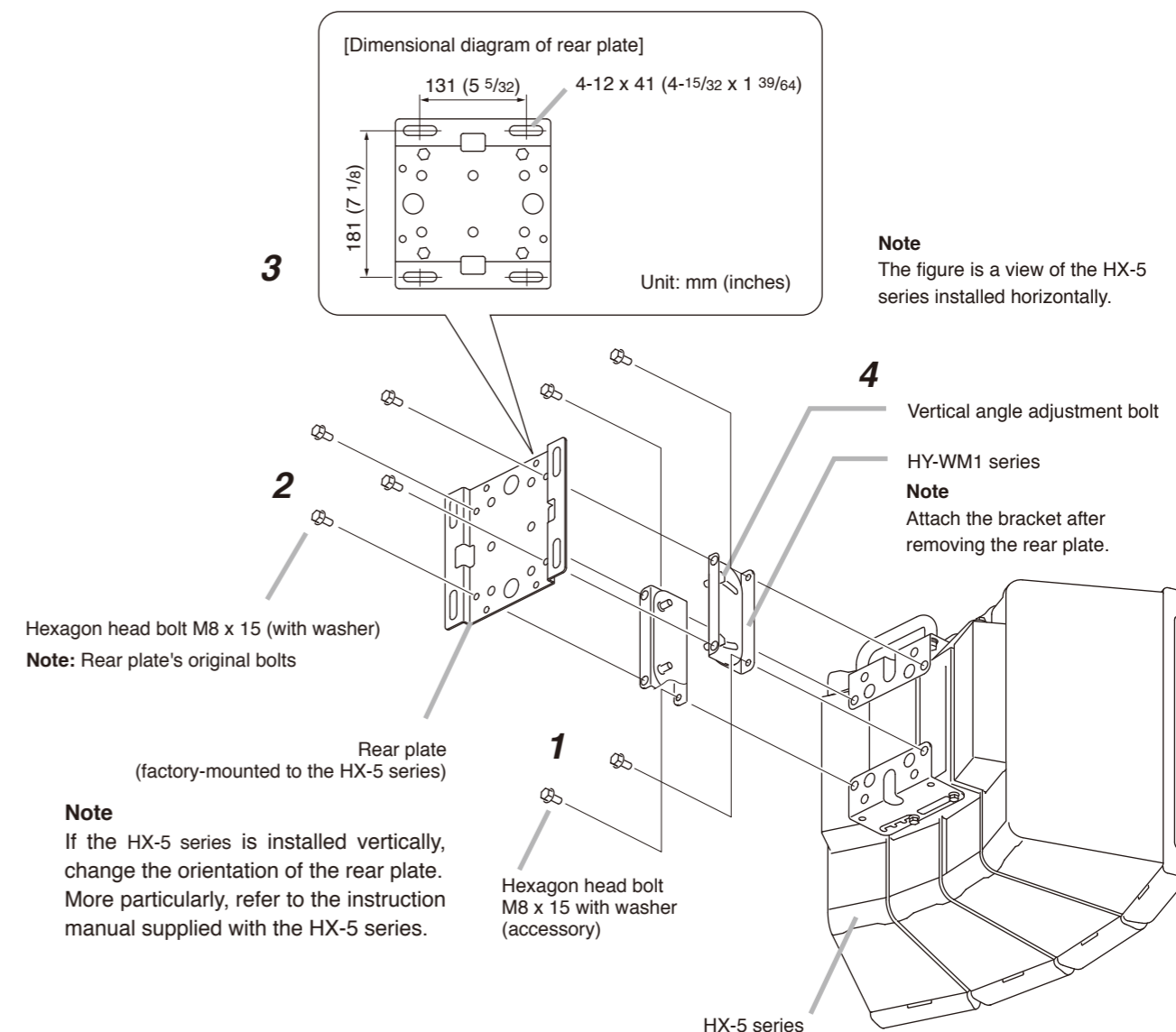
4. SPECIFICATIONS

Model No.	HY-WM1B	HY-WM1W	HY-WM1WP
Finish	Steel plate, black, semi-glossy, paint	Steel plate, white, semi-glossy, paint	Stainless steel
Dimensions	62 (w) x 142 (h) x 22 (d) mm 2 7/16 (w) x 5 19/32 (h) x 55/64 (d) inches		
Weight	750 g		

Note: The design and specifications are subject to change without notice for improvement.

• Accessories

Hexagon head bolt M8 x 15 (with washer) 4



5. INSTALLATION EXAMPLE

