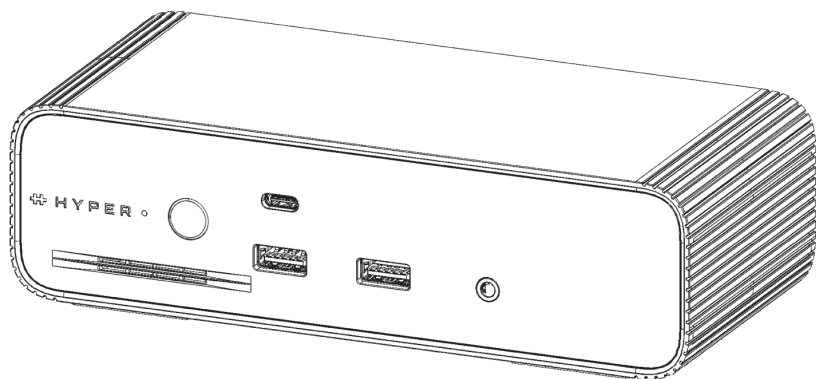




HYPERDRIVE[®] NEXT Thunderbolt 5 Dock



USER GUIDE

Table of Contents

EN – English	6
DE – Deutsch	18
FR – Français	27
CZ – Čeština	36
DK – Dansk	45
FI – Suomi	54
GR – Ελληνικά Πληροφορίες	63
IT – Italiano	72
NL – Nederlands	81
NO – Norsk	90
PL – Polski	99
PT – Português	108
RU – Русский Информация	117

SE	– Svenska	126
TR	– Türkçe	135
ES	– Español	144
AR	– العربية	153
BG	– Български (език)	161
HR	– Hrvatski	169
HU	– Magyar	177
LT	– Lietuviškai	185
RO	– Român	193
SK	– Slovenčina	201
SL	– Slovensko	209
LV	– Latviešu	217
EE	– Eesti	225

Before attempting to connect, operate or adjust this product, please save and read the User Guide completely. The style of the product shown in this User Guide may be different from the actual unit due to various models.

Copyright

This document contains proprietary information protected by copyright. All rights are reserved. No part of this guide may be reproduced by any mechanical, electronic or other means, in any form, without prior written permission of the manufacturer.

Trademarks

Thunderbolt is a trademark of Intel Corporation or its subsidiaries. Mac and macOS are trademarks of Apple Inc., registered in the U.S. and other countries.

Hyper, the ++Hyper logo, and HyperDrive are trademarks or registered trademarks of Targus International LLC in the U.S. and in certain other countries. All trademarks and registered trademarks are the property of their respective owners or companies.

Regulatory Compliance

FCC Conditions

This equipment has been tested and found to comply with the limits for a Class B digital device, pursuant to Part 15 of the FCC Rules. These limits are designed to provide reasonable protection against harmful interference in a residential installation. This equipment generates, uses and can radiate radio frequency energy and, if not installed and used in accordance with the instructions, may cause harmful interference to radio communications.

However, there is no guarantee that interference will not occur in a particular installation. If this equipment does cause harmful interference to radio or television reception, which can be determined by turning the equipment off and on, the user is encouraged to try to correct the interference by one or more of the following measures:

- Reorient or relocate the receiving antenna.
- Increase the separation between the equipment and receiver.
- Connect the equipment into an outlet on a circuit different from that to which the receiver is connected.
- Consult the dealer or an experienced radio/TV technician for help

Any changes or modifications not expressly approved by the party responsible for compliance could void the user's authority to operate this equipment.

This device contains licence-exempt transmitter(s)/receiver(s) that comply with Innovation, Science and Economic Development Canada's licence-exempt RSS(s). Operation is subject to the following two conditions:

- (1) This device may not cause interference.
- (2) This device must accept any interference, including interference that may cause undesired operation of the device.

Le présent appareil est conforme aux CNR d'Industrie Canada applicables aux appareils radio exempts de licence. L'exploitation est autorisée aux deux conditions suivantes:

- (1) l'appareil ne doit pas produire de brouillage, et
- (2) l'utilisateur de l'appareil doit accepter tout brouillage radioélectrique subi, même si le brouillage est susceptible d'en compromettre le fonctionnement.

This device complies with part 15 of the FCC Rules. Operation is subject to the following two conditions: (1) This device may not cause harmful interference, and (2) this device must accept any interference received, including interference that may cause undesired operation.

CAN ICES (B) / NMB (B)



EN-Introduction

The HyperDrive Next Thunderbolt 5 Dock delivers pro-grade performance and expanded connectivity for Thunderbolt 4 and 5 laptops. It supports up to three extended 4K144Hz displays or a single 8K144Hz output, while offering 10 versatile ports including 2.5Gbps Ethernet, USB-A 10Gbps, and 140W USB-C Power Delivery for fast laptop charging. Thunderbolt Share enables high-speed PC-to-PC screen, file, and peripheral sharing, enhancing collaborative workflows. Designed for high-performance environments, this dock is built with a durable aluminium enclosure and 75% post-consumer recycled materials.

Package Contents

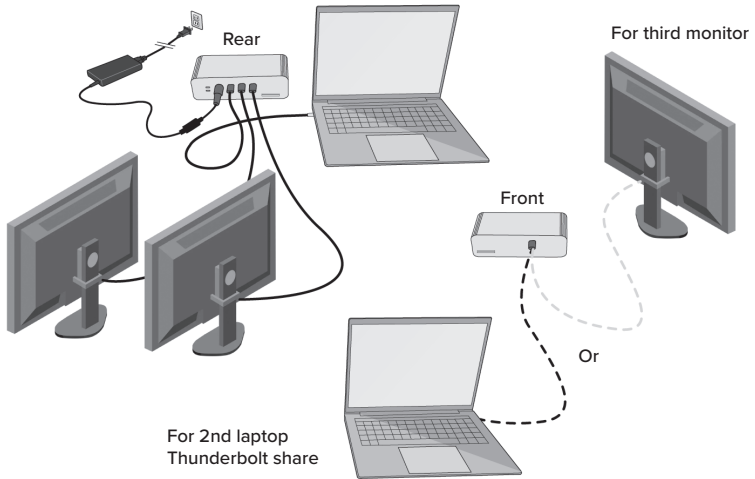
- HD2801GL Thunderbolt 5 Dock
- 1m USB-C Thunderbolt 5 cable (80Gbps/120Gbps)
- 1 x 180W AC Worldwide Power Adapter
- Regional power cord(s)
- User Guide

System Requirements

Hardware

- Thunderbolt 4 or 5 or other compatible USB-C Alternate Mode Windows Host
- macOS 15 Sequoia is required for any Mac to support HD2801 (including a few macOS 15 compatible Thunderbolt 3 Mac).
- 140W charging requires compatible host machine supporting PD3.1 Extended Power Range (EPR). PD 3.0 Power Delivery up to 100W for compatible hosts.

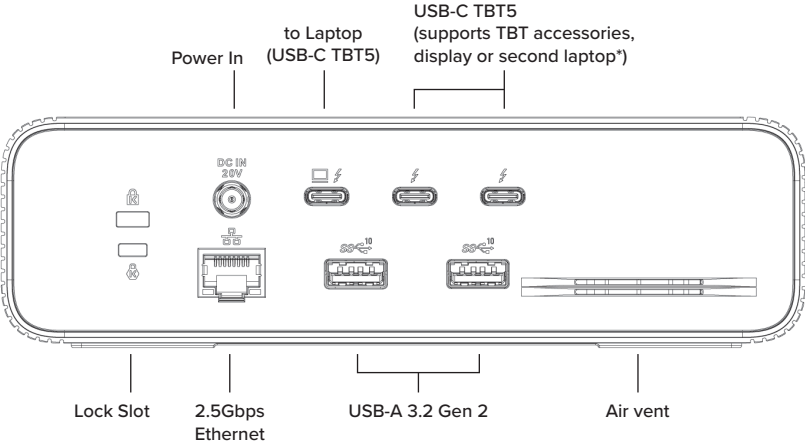
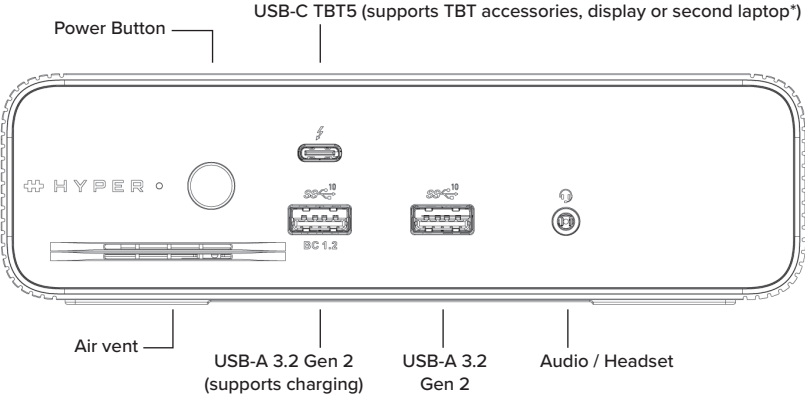
Workstation Setup



Specification

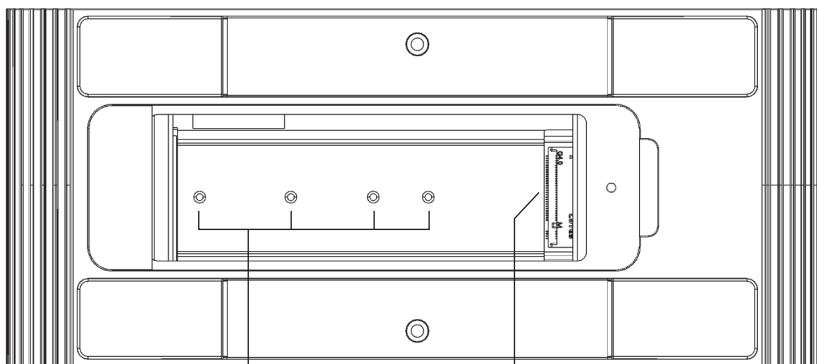
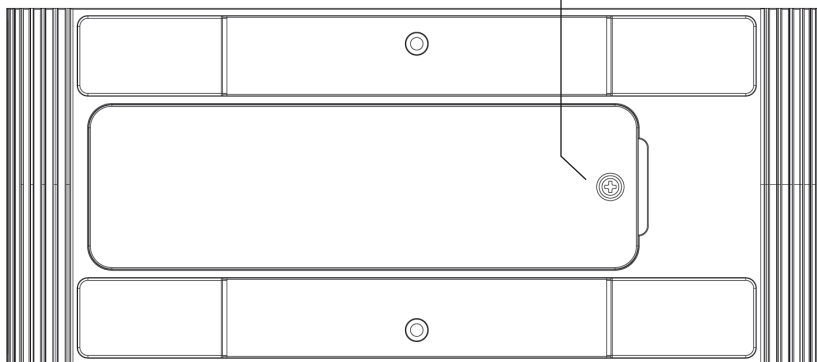
- 1 x Upstream Facing Thunderbolt 5 port supporting 80/120Gbps speeds and Power Delivery 3.1 EPR 140W
- 3 x Thunderbolt 5 port supporting 80/120Gbps speeds and Power Delivery 3.1 EPR 140W
- 1x M.2 SSD slot (2230 / 2242 / 2260/ 2280 Type)
 - 4x PCIe 4.0 NVMe SSD in Thunderbolt mode
 - 2x PCIe 3.0 NVMe SSD in MFDP mode
- 3 x USB-A 10Gbps ports
- 1 x USB-A 10Gbps ports (supports BC 1.2)
- 1 x RJ45 2.5 Gbps Ethernet
- 1 x 3.5mm Headset Audio Port
- 1 x K Security Lock Slot
- 1 x K Nano Security Lock Slot

Docking Station Diagram



*Requires Thunderbolt Share

Screw for removing M.2 door cover



Screw Hole opening to lock
the M.2 device

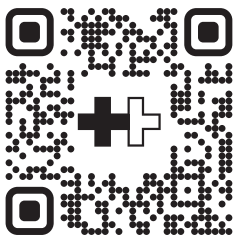
M.2 Socket

M.2 Device Installation

1. Turn the docking station OFF and remove power. Unplug the dock from the host machine and unplug all downstream devices from the dock's ports.
2. Access the M.2 Slot – Turn the dock over and remove the M.2 cover screw using a Phillips screwdriver.
3. Remove Locking Screw – Take out the small M.2 locking screw inside the socket.
4. Insert the M.2 Drive – Align the drive with the slot notch, slide it in at an angle, then press it down and secure it with the locking screw.
5. Reinstall the Cover – Replace the M.2 cover and tighten its screw.
6. Reconnect all downstream devices to the dock's ports, reconnect power and turn the dock ON, and reconnect the dock to the upstream host device.

Quick Start Video Guide

Scan the QR code to watch our setup tutorial video.



Supported Monitor Resolutions

Windows based Thunderbolt 5 Hosts

3 x DP 4-lane Streams

	Host Graphics	Resolution
Single Video (choose any one output)	DP 2.1 UHBR20	7680 x 4320 @60Hz
	DP 2.1 UHBR20 w/DSC	7680 x 4320 @144Hz
Dual Video (choose any two outputs)	DP 2.1 UHBR20	7680 x 4320 @60Hz
	DP 2.1 UHBR20 w/DSC	7680 x 4320 @120Hz
Triple Video	DP 2.1 UHBR20	7680 x 4320 @30Hz
	DP 2.1 UHBR20 w/DSC	7680 x 4320 @60Hz

Windows based Thunderbolt 4 Hosts

2 x DP 4-lane Streams

	Host Graphics	Resolution
Single Video (choose any one output)	DP 1.4 HBR3	7680 x 4320 @30Hz
	DP 1.4 HBR3 w/DSC	7680 x 4320 @60Hz
Dual Video (choose any two outputs)	DP 1.4 HBR3	7680 x 4320 @30Hz+
		3840 x 2160 @30Hz
	DP 1.4 HBR3 w/DSC	7680 x 4320 @60Hz+
		3840 x 2160 @60Hz
Triple Video	Not supported by host machine	

USB4 Hosts

1 x DP 4-lane Stream

	Host Graphics	Resolution
Single Video (choose any one output)	DP 1.4 HBR3	7680 x 4320 @30Hz
	DP 1.4 HBR3 w/DSC	7680 x 4320 @60Hz
	DP 2.1 UHBR20	7680 x 4320 @60Hz
	DP 2.1 UHBR20 w/DSC	7680 x 4320 @144Hz
Dual Video	Not supported by host machine	
Triple Video	Not supported by host machine	

Supported Monitor Resolutions

MacBook Pro M1/M2/M3 Pro or Max
MacBook Air/Pro M4 all variants
MacBook Air M3 (with display lid closed)

	Host Graphics	Resolution
Single Video (choose any one output)	DP 1.4 HBR3	6010 x 3384 @60Hz
	DP 1.4 HBR3 w/DSC	6010 x 3384 @60Hz
Dual Video (choose any two outputs)	DP 1.4 HBR3	6010 x 3384 @60Hz+
		3840 x 2160 @60Hz
	DP 1.4 HBR3 w/DSC	6010 x 3384 @60Hz+
		3840 x 2160 @60Hz
Triple Video	Not supported by host machine	

MacBook Air M1 / M2
1 x DP 4-lane Stream

	Host Graphics	Resolution
Single Video (choose any one output)	DP 1.4 HBR3	6010 x 3384 @60Hz
	DP 1.4 HBR3 w/DSC	6010 x 3384 @60Hz
Dual Video	Not supported by host machine	
Triple Video	Not supported by host machine	

Intel based MacBook
2 x DP 4-lane Streams

	Host Graphics	Resolution
Single Video (choose any one output)	DP 1.2 HBR2	3840 x 2160 @60Hz
	DP 1.4 HBR3	5120 x 2160 @60Hz
Dual Video	DP 1.2 HBR2	3840 x 2160 @60Hz+
		3840 x 2160 @60Hz
	DP 1.4 HBR3	5120 x 2160 @60Hz+
		3840 x 2160 @60Hz

Windows based USB-C (MFD) Hosts
1 x DP 2-lane Stream

	Host Graphics	Resolution
Single Video (choose any one output)	DP 1.2 HBR2	3840 x 2160 @30Hz
	DP 1.4 HBR3	3840 x 2160 @60Hz
	DP 1.4 HBR3 w/DSC	3840 x 2160 @30Hz
Dual Video	Not supported by host machine	
Triple Video	Not supported by host machine	

2 YEAR LIMITED WARRANTY

PORTUGAL AND SPAIN CUSTOMERS: 3 YEARS LIMITED WARRANTY OR AS REQUIRED BY LOCAL LAWS.

We pride ourselves on the quality of our products. For complete warranty details and a list of our Worldwide offices, please visit www.HyperShop.com. Hyper product warranty does not cover any device or product that is not manufactured by Hyper (including, but not limited to, laptops, smartphones, devices, or any other product that may be used in connection with the Hyper product). Hyper Limited Warranty provided is subject to any rights and remedies the purchaser may have under local laws. Australian customers: For complete warranty details, see warranty statement enclosed.

Safety Instructions

- Do not expose to moisture or submerge in liquid.
- Store in a cool, dry place. Recommended storage temperature: -10°C/14°F to 70°C/158°F; Operating temperature: 0°C/32°F to 35°C/95°F.
- Do not disassemble or attempt to re-purpose or modify the product in any manner.
- Stop using and contact manufacturer if the product is excessively hot, emitting odor, deformed or if you witness any other abnormalities.
- Avoid strenuous vibration, impact, extrusion on transportation, and keep the product away from intense sunlight and rain.
- Please dispose of discarded products properly according to local regulations.
- Do not clean with harmful chemicals or detergents.
- Keep away from children under 3 years old for safety.
- Be cautious of drops, bumps, abrasions, or impact.

Compliance Information:

- Ensure to connect the power cord to a socket-outlet with earthing connection.
- The equipment is only suitable for mounting at heights $\leq 2\text{m}$.
- When equipment connecting to docking station via USB-C PD port, the equipment should have fire enclosure.
- The marking information is located at the bottom of apparatus.
- ErP Statement: Off mode power consumption $< 0.3\text{W}$



Supplier's Declaration of Conformity

Per FCC Part 2 Section 2.1077(a)

Manufacturer: Hyper Products Inc. Tel: 1-714-765-5555
Responsible Party :
Address : 1211 North Miller Street, Fax: 1-714-765-5599
Anaheim, CA 92806 USA Internet: www.targus.com

Hereby declares that the Product

Trade name: HYPER

Product name: HyperDrive Next Thunderbolt 5 Dock (with Power/Adapter, A17-180P4B)

Model number: HD2801

Conforms to the following specifications:

**FCC CFR Title 47 Part 15, Subpart B, Class B and ANSI C63.4-2014,
ANSI C64.4a-2017 standard limits**

The test data & results are referred to the test report Number:
(FDBEKS-WTW-P25030210A)

Supplementary Information:

This device complies with part 15 of the FCC Rules. Operation is subject to the following two conditions: (1) This device may not cause harmful interference, and (2) this device must accept any interference received, including interference that may cause undesired operation.

Director, Quality & Compliance,
Targus International LLC

Function Title

CF Ngoh

Name

12/05/2025

Date

Signed for and on behalf of Targus



Declaration of Conformity

Manufacturer: **Hyper Products Inc.** Tel: 1-714-765-5555
Address : 1211 North Miller Street Fax: 1-714-765-5599
Anaheim, CA 92806 USA Internet: www.targus.com
Importer: Targus Europe Ltd. Tel: +44 (0)20 8831 2000
Address: Fourth Floor One London Road
Staines, TW18 4EX, UK

We herewith confirm the following designated product HyperDrive Next Thunderbolt 5 Dock(with Power/Adapter, A17-180P4B), Model No. HD2801, Brand name "HYPER", complies with below UK legislation and relevant standards.

For the evaluation regarding the below legislation, the following standards were applied:

Electromagnetic Compatibility Regulations 2016

BS EN 55032: 2015+A11:2020, Class B

BS EN IEC 61000-3-2: 2019+A1:2021+A2:2024, Class A

BS EN 61000-3-3: 2013+A1:2019+A2:2021

BS EN 55035: 2017+A11:2020

Electrical Equipment (Safety) Regulations 2016

BS EN IEC 62368-1:2020+A11:2020

The Ecodesign for Energy-Related Products and Energy Information (Amendment) (EU Exit) Regulations 2019

EN 50564:2011

The Restriction of the Use of Certain Hazardous Substances in Electrical and Electronic Equipment Regulations 2012

EN IEC 63000:2018

This declaration of conformity is issued under the sole responsibility of the manufacturer.

Director, Targus - Global Sourcing Group

CF Ngoh

Function Title

Name

12/05/ 2025 / Hong Kong

Date / Place of Issue


Signed for and on behalf of Targus



Declaration of Conformity

Manufacturer:	Hyper Products Inc.	Tel:	1-714-765-5555
Address :	1211 North Miller Street, Anaheim, CA 92806 USA	Fax:	1-714-765-5599
Importer:	Targus Europe Ltd.	Internet:	www.targus.com
Address:	Targus EMEA Account Management Van Hilstraat 19, 5145 RK Waalwijk, NETHERLANDS	Tel:	+44 (0)20 8831 2000

We herewith confirm the following designated product HyperDrive Next Thunderbolt 5 Dock(with Power/Adapter, A17-180P4B), Model No. HD2801, Brand name "HYPER", complies with the Low Voltage Directive 2014/35/EU, COMMISSION REGULATION (EU) 2023/826, EMC Directive 2014/30/EU, EU RoHS Directive 2011/65/EU and its amendment Directive (EU) 2015/863.

For the evaluation regarding the above Directives, the following standards were applied:

Low-Voltage Directive: 2014/35/EU

EN IEC 62368-1: 2020+A11:2020

EMC Directive: 2014/30/EU

EN 55032: 2015+A11:2020,Class B

EN IEC 61000-3-2: 2019+A1:2021+A2:2024, Class A

EN 61000-3-3: 2013+A1:2019+A2:2021+AC:2022

EN 55035: 2017+A11:2020

COMMISSION REGULATION (EU) 2023/826

EN 50564:2011

RoHS Directive: 2011/65/EU and its amendment Directive (EU) 2015/863.

EN IEC 63000:2018

Year to begin CE marking: 2025

Director, Targus - Global Sourcing Group

Function Title

CF Ngho

Name

12/05/2025 / Hong Kong

Date / Place of Issue

Signed for and on behalf of Targus

DE-Einführung

Die HyperDrive Next Thunderbolt 5 Dock bietet professionelle Leistung und erweiterte Konnektivität für Thunderbolt 4- und 5-Laptops. Sie unterstützt bis zu drei erweiterte 4K144Hz-Displays oder eine einzelne 8K144Hz-Ausgabe und bietet dabei 10 vielseitige Anschlüsse, darunter 2,5-Gbit/s-Ethernet, USB-A 10 Gbit/s und 140 W USB-C Power Delivery für schnelles Laden des Laptops. Thunderbolt Share ermöglicht die Hochgeschwindigkeits-Freigabe von Bildschirm, Dateien und Peripheriegeräten zwischen PCs und verbessert so die Zusammenarbeit. Für Hochleistungsumgebungen entwickelt, besteht diese Dockingstation aus einem robusten Aluminiumgehäuse und zu 75 % aus recycelten Materialien.

Lieferumfang

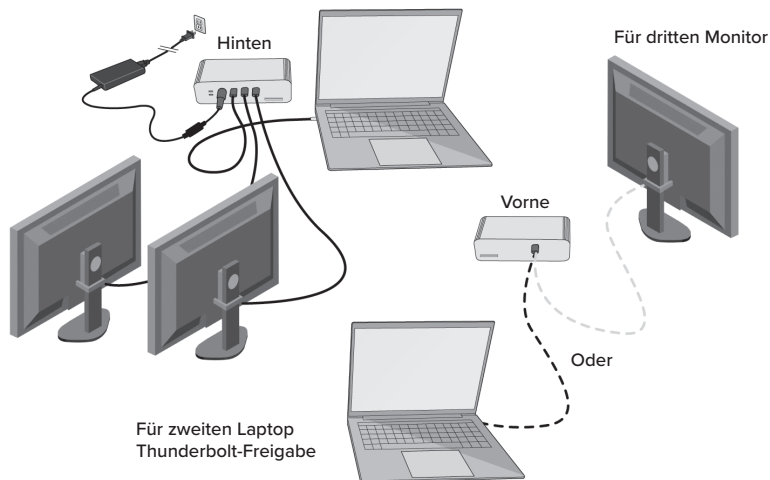
- HD2801GL Thunderbolt 5 Dock
- 1 m USB-C Thunderbolt 5 Kabel (80 Gbit/s/120 Gbit/s)
- 1 x 180 W AC-Netzadapter für weltweiten Einsatz
- Regionale(s) Netzkabel
- Benutzerhandbuch

Systemanforderungen

Hardware

- Thunderbolt 4 oder 5 oder anderer kompatibler USB-C-Alternate-Mode-Windows-Host
- macOS 15 Sequoia ist erforderlich, damit ein Mac HD2801 unterstützt (einschließlich einiger macOS-15-kompatibler Thunderbolt-3-Macs).
- 140-W-Ladung erfordert ein kompatibles Hostgerät mit Unterstützung für PD3.1 Extended Power Range (EPR). PD 3.0 Power Delivery bis zu 100 W für kompatible Hosts.

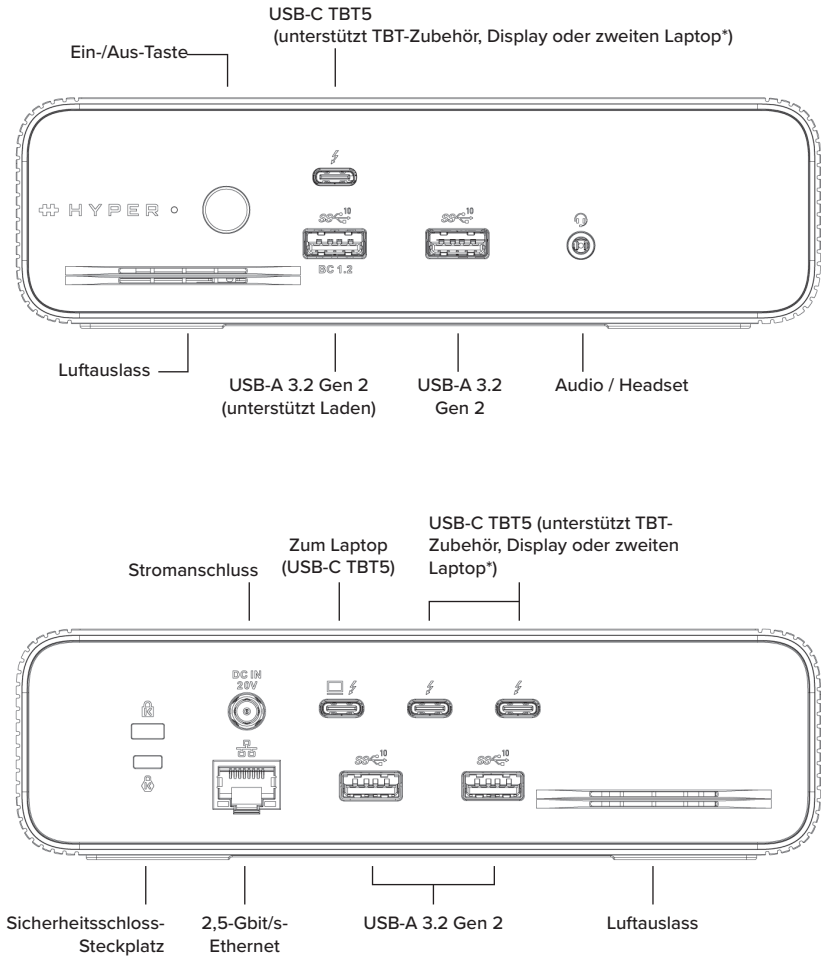
Workstation-Setup



Spezifikation

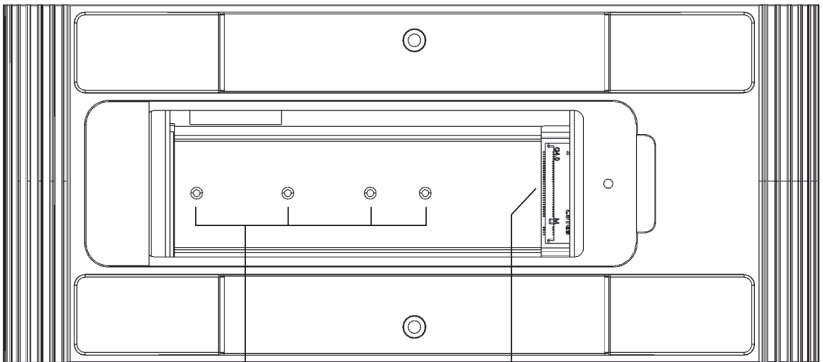
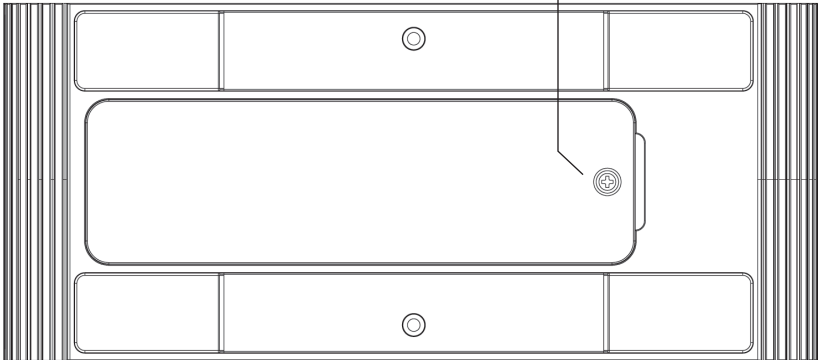
- 1 x Upstream Thunderbolt 5-Port mit Unterstützung für 80/120 Gbit/s und Power Delivery 3.1 EPR 140 W
- 3 x Thunderbolt 5-Ports mit Unterstützung für 80/120 Gbit/s und Power Delivery 3.1 EPR 140 W
- 1 x M.2-SSD-Steckplatz (2230 / 2242 / 2260 / 2280 Typ)
 - 4× PCIe 4.0 NVMe SSDs im Thunderbolt-Modus
 - 2× PCIe 3.0 NVMe SSDs im MFDP-Modus
- 3 x USB-A-Ports mit 10 Gbit/s
- 1 x USB-A-Port mit 10 Gbit/s (unterstützt BC 1.2)
- 1 x RJ45 2,5 Gbit/s Ethernet
- 1 x 3,5-mm-Headset-Audioanschluss
- 1 x K-Sicherheitssteckplatz
- 1 x K-Nano-Sicherheitssteckplatz

Diagramm der Dockingstation



*Erfordert Thunderbolt Share

Schraube zum Entfernen der M.2-Abdeckung



Schraubenloch zum Fixieren
des M.2-Geräts

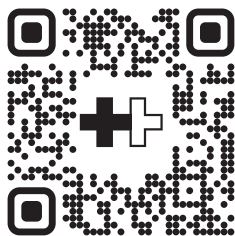
M.2-Steckplatz

Installation des M.2-Geräts

1. Schalten Sie die Dockingstation AUS und trennen Sie die Stromversorgung. Trennen Sie das Dock vom Host-Gerät und ziehen Sie alle angeschlossenen Peripheriegeräte von den Anschlüssen des Docks ab.
2. Zugang zum M.2-Steckplatz – Drehen Sie die Dockingstation um und entfernen Sie die M.2-Abdeckungsschraube mit einem Kreuzschlitzschraubendreher.
3. Entfernen der Verriegelungsschraube – Nehmen Sie die kleine M.2-Verriegelungsschraube im Sockel heraus.
4. Einsetzen des M.2-Laufwerks – Richten Sie das Laufwerk an der Kerbe des Steckplatzes aus, schieben Sie es in einem Winkel hinein, drücken Sie es dann nach unten und sichern Sie es mit der Verriegelungsschraube.
5. Abdeckung wieder anbringen – Setzen Sie die M.2-Abdeckung wieder auf und ziehen Sie die Schraube fest.
6. Schließen Sie alle Peripheriegeräte wieder an die Anschlüsse des Docks an, verbinden Sie die Stromversorgung erneut und schalten Sie das Dock EIN. Verbinden Sie anschließend das Dock wieder mit dem übergeordneten Host-Gerät.

Schnellstart-Videoanleitung

Scannen Sie den QR-Code, um unser Einrichtungsvideo anzusehen.



Unterstützte Monitorauflösungen

Windows-basierte Thunderbolt 5-Hosts – 3 x DP-Streams mit 4 Lanes

	Host-Grafik	Auflösung
Einzelvideo (wählen Sie einen beliebigen Ausgang)	DP 2.1 UHBR20	7680 x 4320 @60Hz
	DP 2.1 UHBR20 w/DSC	7680 x 4320 @144Hz
Doppelvideo (wählen Sie zwei beliebige Ausgänge)	DP 2.1 UHBR20	7680 x 4320 @60Hz
	DP 2.1 UHBR20 w/DSC	7680 x 4320 @120Hz
Dreifachvideo	DP 2.1 UHBR20	7680 x 4320 @30Hz
	DP 2.1 UHBR20 w/DSC	7680 x 4320 @60Hz

Windows-basierte Thunderbolt 4-Hosts – 2 x DP-Streams mit 4 Lanes

	Host-Grafik	Auflösung
Einzelvideo (wählen Sie einen beliebigen Ausgang)	DP 1.4 HBR3	7680 x 4320 @30Hz
	DP 1.4 HBR3 w/DSC	7680 x 4320 @60Hz
Doppelvideo (wählen Sie zwei beliebige Ausgänge)	DP 1.4 HBR3	7680 x 4320 @30Hz+
		3840 x 2160 @30Hz
	DP 1.4 HBR3 w/DSC	7680 x 4320 @60Hz+
		3840 x 2160 @60Hz
Dreifachvideo	Nicht vom Host-Gerät unterstützt	

USB4-Hosts – 1 x DP-Stream mit 4 Lanes

	Host-Grafik	Auflösung
Einzelvideo (wählen Sie einen beliebigen Ausgang)	DP 1.4 HBR3	7680 x 4320 @30Hz
	DP 1.4 HBR3 w/DSC	7680 x 4320 @60Hz
	DP 2.1 UHBR20	7680 x 4320 @60Hz
	DP 2.1 UHBR20 w/DSC	7680 x 4320 @144Hz
Doppelvideo	Nicht vom Host-Gerät unterstützt	
Dreifachvideo	Nicht vom Host-Gerät unterstützt	

Unterstützte Monitorauflösungen

MacBook Pro M1/M2/M3 Pro oder Max

MacBook Air/Pro M4 alle Varianten

MacBook Air M3 (bei geschlossenem Displaydeckel)

	Host-Grafik	Auflösung
Einzelvideo (wählen Sie einen beliebigen Ausgang)	DP 1.4 HBR3	6010 x 3384 @60Hz
	DP 1.4 HBR3 w/DSC	6010 x 3384 @60Hz
Doppelvideo (wählen Sie zwei beliebige Ausgänge)	DP 1.4 HBR3	6010 x 3384 @60Hz+
		3840 x 2160 @60Hz
	DP 1.4 HBR3 w/DSC	6010 x 3384 @60Hz+
		3840 x 2160 @60Hz
Dreifachvideo	Nicht vom Host-Gerät unterstützt	

MacBook Air M1 / M2 1 x DP-Stream mit 4 Lanes

	Host-Grafik	Auflösung
Einzelvideo (wählen Sie einen beliebigen Ausgang)	DP 1.4 HBR3	6010 x 3384 @60Hz
	DP 1.4 HBR3 w/DSC	6010 x 3384 @60Hz
Doppelvideo	Nicht vom Host-Gerät unterstützt	
Dreifachvideo	Nicht vom Host-Gerät unterstützt	

Intel-basierte MacBooks 2 x DP-Streams mit 4 Lanes

	Host-Grafik	Auflösung
Einzelvideo (wählen Sie einen beliebigen Ausgang)	DP 1.2 HBR2	3840 x 2160 @60Hz
	DP 1.4 HBR3	5120 x 2160 @60Hz
Doppelvideo	DP 1.2 HBR2	3840 x 2160 @60Hz+
		3840 x 2160 @60Hz
	DP 1.4 HBR3	5120 x 2160 @60Hz+
		3840 x 2160 @60Hz

Windows-basierte USB-C (MFDP)-Hosts 1 x DP-Stream mit 2 Lanes

	Host-Grafik	Auflösung
Einzelvideo (wählen Sie einen beliebigen Ausgang)	DP 1.2 HBR2	3840 x 2160 @30Hz
	DP 1.4 HBR3	3840 x 2160 @60Hz
	DP 1.4 HBR3 w/DSC	3840 x 2160 @30Hz
Doppelvideo	Nicht vom Host-Gerät unterstützt	
Dreifachvideo	Nicht vom Host-Gerät unterstützt	

Sicherheitsanweisungen

- Nicht Feuchtigkeit aussetzen oder in Flüssigkeit eintauchen.
- An einem kühlen, trockenen Ort lagern. Empfohlene Lagertemperatur: -10°C/14°F bis 70°C/158°F; Betriebstemperatur: 0°C/32°F bis 35°C/95°F.
- Nicht zerlegen oder versuchen, das Produkt in irgendeiner Weise umzuwandeln oder zu modifizieren.
- Verwendung einstellen und Hersteller kontaktieren, wenn das Produkt übermäßig heiß wird, Geruch abgibt, verformt ist oder andere Auffälligkeiten auftreten.
- Starke Vibrationen, Stöße und Quetschungen beim Transport vermeiden und das Produkt vor intensiver Sonneneinstrahlung und Regen schützen.
- Entsorgen Sie ausrangierte Produkte ordnungsgemäß gemäß den örtlichen Vorschriften.
- Nicht mit schädlichen Chemikalien oder Reinigungsmitteln reinigen.
- Aus Sicherheitsgründen von Kindern unter 3 Jahren fernhalten.
- Vorsicht bei Stürzen, Stößen, Kratzern oder Aufprall.

Konformitätsinformationen:

- Stellen Sie sicher, dass das Netzkabel an eine Steckdose mit Erdungsanschluss angeschlossen ist.
- Das Gerät ist nur für die Montage in Höhen ≤ 2 m geeignet.
- Wenn Geräte über den USB-C-PD-Anschluss an die Dockingstation angeschlossen werden, sollte das Gerät ein Brandschutzgehäuse haben.
- Die Kennzeichnungsinformationen befinden sich an der Unterseite des Geräts.
- ErP-Erklärung: Stromverbrauch im Aus-Modus $< 0,3$ W

GERMAN



Konformitätserklärung

Hersteller:	Hyper Products Inc.	Telefon:	1-714-765-5555
Adresse:	1211 North Miller Street, Anaheim, CA 92806 USA	Fax:	1-714-765-5599
Importeur:	Targus Europe Ltd.	Internet:	www.targus.com
Adresse:	Targus EMEA Account Management Van Hilststraat 19, 5145 RK Waalwijk, NETHERLANDS	Telefon:	+44 (0) 20 8831 2000

Hiermit bestätigen wir, dass das folgende Produkt HyperDrive Next Thunderbolt 5 Dock (with Power/Adapter, A17-180P4B), Modellnr. HD2801, Markenname „HYPER“, der the Low Voltage Directive 2014/35/EU, COMMISSION REGULATION (EU) 2023/826, EMC Directive 2014/30/EU, EU RoHS Directive 2011/65/EU and its amendment Directive (EU) 2015/863.

Für die Evaluierung der o. g. Richtlinien wurden folgende Standards angewendet:

Low-Voltage Directive: 2014/35/EU

EN IEC 62368-1: 2020+A11:2020

EMC Directive: 2014/30/EU

EN 55032: 2015+A11:2020, Class B

EN IEC 61000-3-2: 2019+A1:2021+A2:2024, Class A

EN 61000-3-3: 2013+A1:2019+A2:2021+AC:2022

EN 55035: 2017+A11:2020

COMMISSION REGULATION (EU) 2023/826

EN 50564:2011

RoHS Directive: 2011/65/EU and its amendment Directive (EU) 2015/863.

EN IEC 63000:2018

Anfangsjahr für CE-Kennzeichen: 2025

Director, Targus - Global Sourcing Group

CF Ngho

Funktion

Name

12/05/2025/ Hongkong

Datum / Ausstellungsort

Untersignet für und im Namen von Targus

FR-Introduction

La station d'accueil HyperDrive Next Thunderbolt 5 offre des performances professionnelles et une connectivité étendue pour les ordinateurs portables Thunderbolt 4 et 5. Elle prend en charge jusqu'à trois écrans étendus 4K144Hz ou une sortie unique 8K144Hz, tout en proposant 10 ports polyvalents, dont Ethernet 2,5 Gbit/s, USB-A 10 Gbit/s et une alimentation USB-C Power Delivery de 140 W pour une recharge rapide des ordinateurs portables. Thunderbolt Share permet le partage rapide d'écran, de fichiers et de périphériques entre PC, améliorant ainsi les flux de travail collaboratifs. Conçue pour des environnements haute performance, cette station est fabriquée avec un boîtier en aluminium durable et 75 % de matériaux recyclés post-consommation.

Contenu de l'emballage

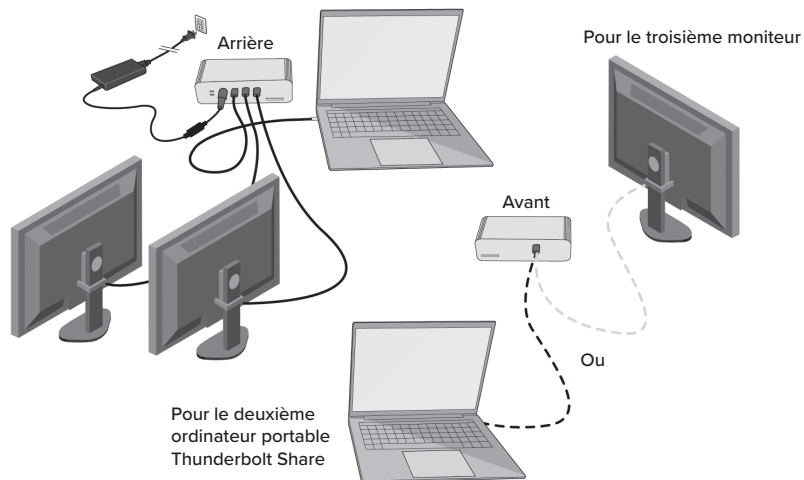
- Station d'accueil Thunderbolt 5 HD2801GL
- Câble USB-C Thunderbolt 5 de 1 m (80 Gbit/s/120 Gbit/s)
- 1 adaptateur secteur universel 180 W
- Câble(s) d'alimentation régional(aux)
- Guide d'utilisation

Configuration requise

Matériel

- Hôte Windows Thunderbolt 4 ou 5 ou autre mode alternatif USB-C compatible
- macOS 15 Sequoia est requis pour que tout Mac prenne en charge HD2801 (y compris certains Mac Thunderbolt 3 compatibles avec macOS 15).
- La charge de 140 W nécessite un appareil hôte compatible prenant en charge PD3.1 Extended Power Range (EPR). Power Delivery PD 3.0 jusqu'à 100 W pour les hôtes compatibles.

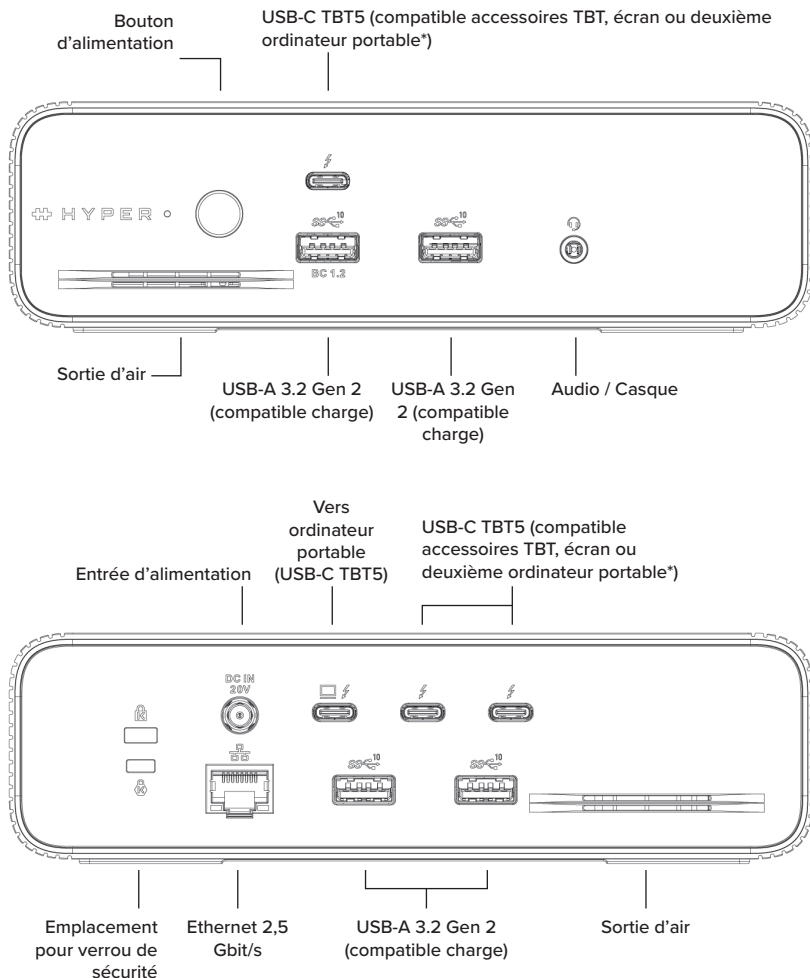
Configuration de la station de travail



Spécifications

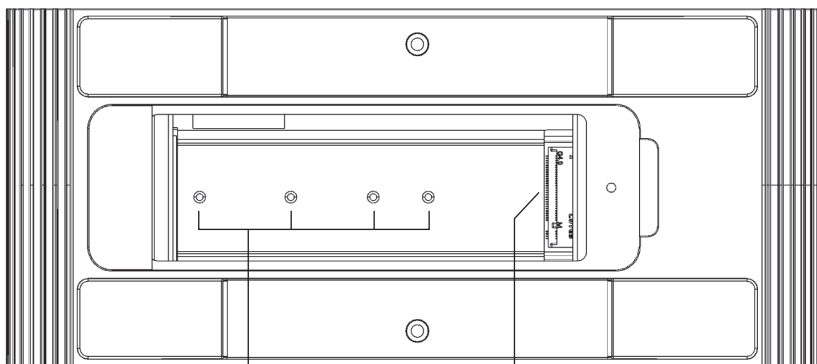
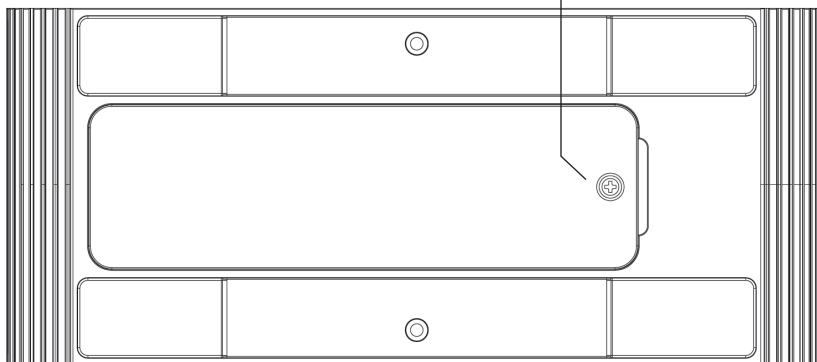
- 1 x port Thunderbolt 5 amont prenant en charge des vitesses de 80/120 Gbit/s et Power Delivery 3.1 EPR 140 W
- 3 x ports Thunderbolt 5 prenant en charge des vitesses de 80/120 Gbit/s et Power Delivery 3.1 EPR 140 W
- 1 x emplacement M.2 SSD (2230 / 2242 / 2260 / 2280 Type)
 - 4× SSD NVMe PCIe 4.0 en mode Thunderbolt
 - 2× SSD NVMe PCIe 3.0 en mode MFD
- 3 x ports USB-A 10 Gbit/s
- 1 x port USB-A 10 Gbit/s (compatible BC 1.2)
- 1 x RJ45 Ethernet 2,5 Gbit/s
- 1 x port audio casque 3,5 mm
- 1 x emplacement de verrouillage de sécurité K
- 1 x emplacement de verrouillage de sécurité K Nano

Schéma de la station d'accueil



*Requiert Thunderbolt Share

Vis pour retirer le couvercle de la porte M.2



Trou de vis pour verrouiller le périphérique M.2

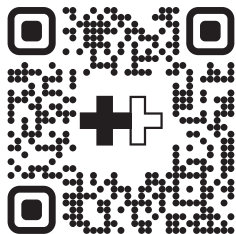
Connecteur M.2

Installation du périphérique M.2

1. Éteignez la station d'accueil et débranchez l'alimentation. Déconnectez la station d'accueil de l'appareil hôte et débranchez tous les périphériques connectés aux ports de la station d'accueil.
2. Accéder au logement M.2 – Retournez la station et retirez la vis du couvercle M.2 à l'aide d'un tournevis cruciforme.
3. Retirer la vis de verrouillage – Retirez la petite vis de verrouillage M.2 à l'intérieur du connecteur.
4. Insérer le disque M.2 – Aligned le disque avec l'encoche du logement, insérez-le en biais, puis appuyez dessus et fixez-le avec la vis de verrouillage.
5. Réinstaller le couvercle – Remplacez le couvercle M.2 et serrez sa vis.
6. Reconnectez tous les périphériques aux ports de la station d'accueil, rebranchez l'alimentation et allumez la station d'accueil, puis reconnectez la station d'accueil à l'appareil hôte en amont.

Guide vidéo de démarrage rapide

Scannez le code QR pour regarder notre vidéo de configuration.



Résolutions de moniteur prises en charge

Hôtes Thunderbolt 5 sous Windows – 3 flux DP à 4 voies

	Graphiques de l'hôte	Résolution
Vidéo unique (choisissez une sortie)	DP 2.1 UHBR20	7680 x 4320 @60Hz
	DP 2.1 UHBR20 w/DSC	7680 x 4320 @144Hz
Double vidéo (choisissez deux sorties)	DP 2.1 UHBR20	7680 x 4320 @60Hz
	DP 2.1 UHBR20 w/DSC	7680 x 4320 @120Hz
Triple vidéo	DP 2.1 UHBR20	7680 x 4320 @30Hz
	DP 2.1 UHBR20 w/DSC	7680 x 4320 @60Hz

Hôtes Thunderbolt 4 sous Windows – 2 flux DP à 4 voies

	Graphiques de l'hôte	Résolution
Vidéo unique (choisissez une sortie)	DP 1.4 HBR3	7680 x 4320 @30Hz
	DP 1.4 HBR3 w/DSC	7680 x 4320 @60Hz
Double vidéo (choisissez deux sorties)	DP 1.4 HBR3	7680 x 4320 @30Hz+
		3840 x 2160 @30Hz
	DP 1.4 HBR3 w/DSC	7680 x 4320 @60Hz+
		3840 x 2160 @60Hz
Triple vidéo	Non pris en charge par la machine hôte	

Hôtes USB4 – 1 flux DP à 4 voies

	Graphiques de l'hôte	Résolution
Vidéo unique (choisissez une sortie)	DP 1.4 HBR3	7680 x 4320 @30Hz
	DP 1.4 HBR3 w/DSC	7680 x 4320 @60Hz
	DP 2.1 UHBR20	7680 x 4320 @60Hz
	DP 2.1 UHBR20 w/DSC	7680 x 4320 @144Hz
Double vidéo	Non pris en charge par la machine hôte	
Triple vidéo	Non pris en charge par la machine hôte	

Résolutions de moniteur prises en charge

MacBook Pro M1/M2/M3 Pro ou Max

MacBook Air/Pro M4 toutes variantes

MacBook Air M3 (avec le couvercle de l'écran fermé)

	Graphiques de l'hôte	Résolution
Vidéo unique (choisissez une sortie)	DP 1.4 HBR3	6010 x 3384 @60Hz
	DP 1.4 HBR3 w/DSC	6010 x 3384 @60Hz
Double vidéo (choisissez deux sorties)	DP 1.4 HBR3	6010 x 3384 @60Hz+
		3840 x 2160 @60Hz
	DP 1.4 HBR3 w/DSC	6010 x 3384 @60Hz+
		3840 x 2160 @60Hz
Triple vidéo	Non pris en charge par la machine hôte	

MacBook Air M1 / M2 1 flux DP à 4 voies

	Graphiques de l'hôte	Résolution
Vidéo unique (choisissez une sortie)	DP 1.4 HBR3	6010 x 3384 @60Hz
	DP 1.4 HBR3 w/DSC	6010 x 3384 @60Hz
Double vidéo	Non pris en charge par la machine hôte	
Triple vidéo	Non pris en charge par la machine hôte	

MacBook à base Intel 2 flux DP à 4 voies

	Graphiques de l'hôte	Résolution
Vidéo unique (choisissez une sortie)	DP 1.2 HBR2	3840 x 2160 @60Hz
	DP 1.4 HBR3	5120 x 2160 @60Hz
Double vidéo	DP 1.2 HBR2	3840 x 2160 @60Hz+
		3840 x 2160 @60Hz
	DP 1.4 HBR3	5120 x 2160 @60Hz+
		3840 x 2160 @60Hz

Hôtes Windows USB-C (MFDP) 1 flux DP à 2 voies

	Graphiques de l'hôte	Résolution
Vidéo unique (choisissez une sortie)	DP 1.2 HBR2	3840 x 2160 @30Hz
	DP 1.4 HBR3	3840 x 2160 @60Hz
	DP 1.4 HBR3 w/DSC	3840 x 2160 @30Hz
Double vidéo	Non pris en charge par la machine hôte	
Triple vidéo	Non pris en charge par la machine hôte	

Instructions de sécurité

- Ne pas exposer à l'humidité ni immerger dans un liquide.
- Conserver dans un endroit frais et sec. Température de stockage recommandée : -10°C/14°F à 70°C/158°F ; Température de fonctionnement : 0°C/32°F à 35°C/95°F.
- Ne pas démonter ni tenter de réutiliser ou de modifier le produit de quelque manière que ce soit.
- Cessez d'utiliser et contactez le fabricant si le produit devient excessivement chaud, dégage une odeur, est déformé ou présente toute autre anomalie.
- Évitez les vibrations intenses, les chocs, la compression lors du transport et gardez le produit à l'abri du soleil intense et de la pluie.
- Veuillez éliminer les produits jetés conformément aux réglementations locales.
- Ne pas nettoyer avec des produits chimiques nocifs ou des détergents.
- Tenir hors de portée des enfants de moins de 3 ans pour des raisons de sécurité.
- Soyez prudent en cas de chute, de choc, d'abrasion ou d'impact.

Informations de conformité :

- Assurez-vous de connecter le cordon d'alimentation à une prise avec connexion à la terre.
- L'équipement est uniquement adapté pour une installation à des hauteurs ≤ 2 m.
- Lorsque l'équipement est connecté à la station d'accueil via le port USB-C PD, il doit disposer d'un boîtier ignifuge.
- Les informations de marquage se trouvent au bas de l'appareil.
- Déclaration ErP : Consommation électrique en mode arrêt < 0,3 W

FRENCH



Déclaration de conformité

Fabricant :	Hyper Products Inc.	Tél :	1-714-765-5555
Adresse :	1211 North Miller Street, Anaheim, CA 92806 USA	Fax :	1-714-765-5599
Importateur :	Targus EMEA Account Management	Internet :	www.targus.com
Adresse :	Van Hilststraat 19, 5145 RK Waalwijk, NETHERLANDS	Tél :	+44 (0)20 8831 2000

Nous confirmons par les présentes que le produit désigné ci-après HyperDrive Next Thunderbolt 5 Dock(with Power/Adapter, A17-180P4B), Numéro de référence HD2801, Nom de marque « HYPER », est conforme à the Low Voltage Directive 2014/35/EU, COMMISSION REGULATION (EU) 2023/826, EMC Directive 2014/30/EU, EU RoHS Directive 2011/65/EU and its amendment Directive (EU) 2015/863.

Pour l'évaluation relative aux Directives susmentionnées, les standards suivants ont été appliqués :

Low-Voltage Directive: 2014/35/EU

EN IEC 62368-1: 2020+A11:2020

EMC Directive: 2014/30/EU

EN 55032: 2015+A11:2020, Class B

EN IEC 61000-3-2: 2019+A1:2021+A2:2024, Class A

EN 61000-3-3: 2013+A1:2019+A2:2021+AC:2022

EN 55035: 2017+A11:2020

COMMISSION REGULATION (EU) 2023/826

EN 50564:2011

RoHS Directive: 2011/65/EU and its amendment Directive (EU) 2015/863.

EN IEC 63000:2018

Année de début du marquage CE : 2025

Directeur, Targus - Global Sourcing Group


CF Ngoh

Intitulé de la fonction

Nom

12/05/2025/ Hong Kong

Date / Lieu


Signé pour et au nom de Targus

CZ-Úvod

HyperDrive Next Thunderbolt 5 Dock poskytuje profesionální výkon a rozšířenou konektivitu pro notebooky s Thunderbolt 4 a 5. Podporuje až tři rozšířené displeje 4K144Hz nebo jeden výstup 8K144Hz a nabízí 10 univerzálních portů, včetně 2,5Gbps Ethernetu, USB-A 10Gbps a 140W USB-C Power Delivery pro rychlé nabíjení notebooku. Funkce Thunderbolt Share umožňuje vysokorychlostní sdílení obrazovky, souborů a periférií mezi počítači, čímž zlepšuje spolupráci. Dok je navržen pro prostředí s vysokým výkonem a je vyroben z odolného hliníkového krytu a 75 % recyklovaných materiálů po spotřebě.

Obsah balení

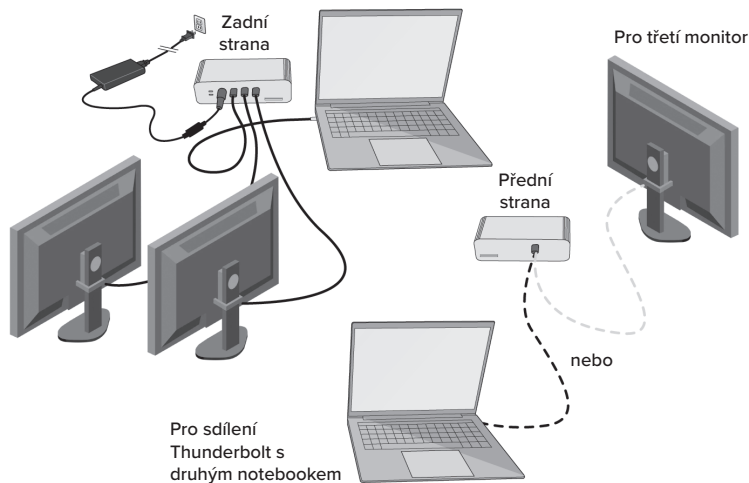
- Dokovací stanice Thunderbolt 5 HD2801GL
- 1m USB-C Thunderbolt 5 kabel (80Gbps/120Gbps)
- 1 × 180W AC univerzální napájecí adaptér
- Regionální napájecí kabel(y)
- Uživatelská příručka

Systémové požadavky

Hardware

- Thunderbolt 4 nebo 5 nebo jiný kompatibilní USB-C Alternate Mode Windows hostitel
- macOS 15 Sequoia je vyžadován pro jakýkoli Mac podporující HD2801 (včetně několika Mac s Thunderbolt 3 kompatibilních s macOS 15).
- Nabíjení 140W vyžaduje kompatibilní hostitelský počítač podporující PD3.1 Extended Power Range (EPR). PD 3.0 Power Delivery až 100W pro kompatibilní hostitele.

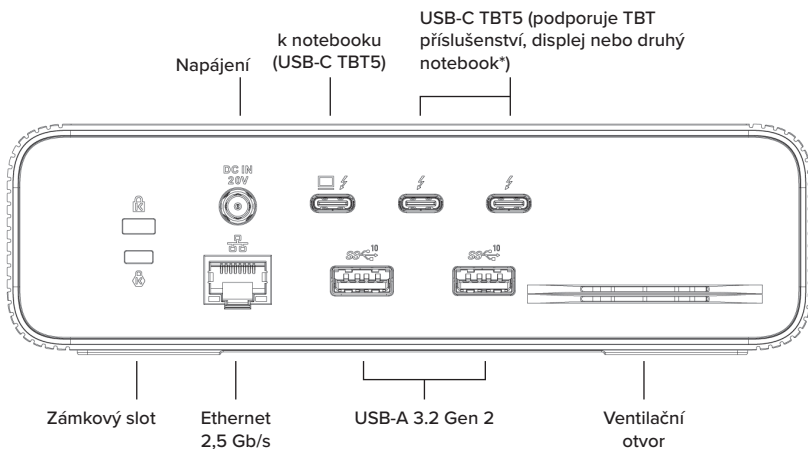
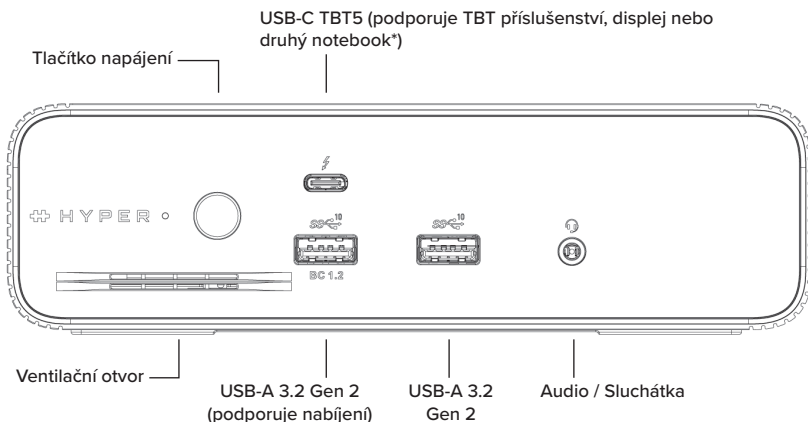
Nastavení pracovní stanice



Specifikace

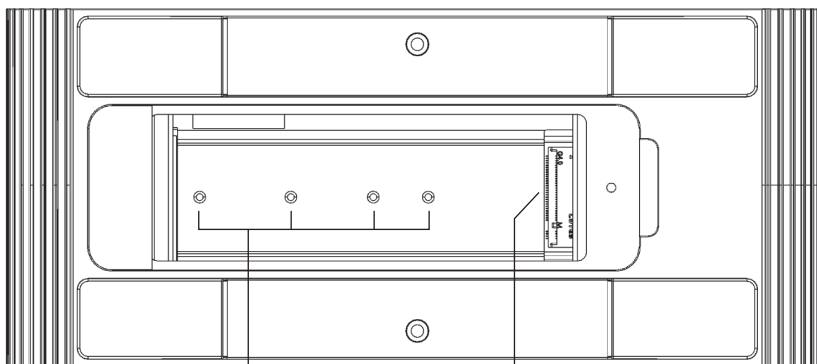
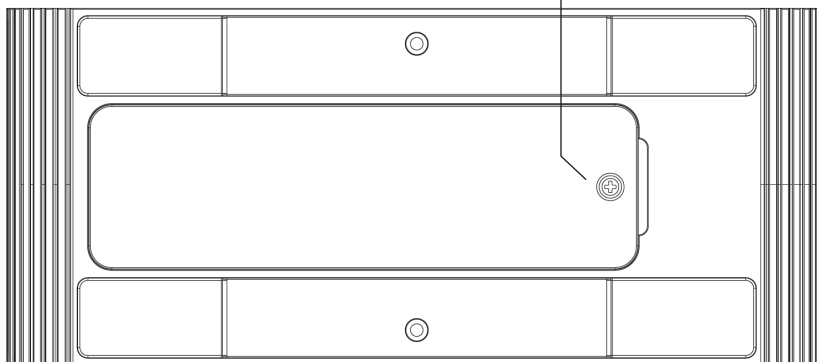
- 1× upstream Thunderbolt 5 port podporující rychlosti 80/120 Gb/s a Power Delivery 3.1 EPR 140 W
- 3× Thunderbolt 5 porty podporující rychlosti 80/120 Gb/s a Power Delivery 3.1 EPR 140 W
- 1× slot M.2 SSD (2230 / 2242 / 2260 / 2280 typ)
 - 4× NVMe SSD PCIe 4.0 v režimu Thunderbolt
 - 2× NVMe SSD PCIe 3.0 v režimu MFDP
- 3× USB-A porty 10 Gb/s
- 1× USB-A port 10 Gb/s (podporuje BC 1.2)
- 1× RJ45 Ethernet 2,5 Gb/s
- 1× 3,5mm audio port pro headset
- 1× slot pro bezpečnostní zámek K
- 1× slot pro bezpečnostní zámek K Nano

Schéma dokovací stanice



*Vyžaduje Thunderbolt Share

Šroub pro odstranění krytu dvířek M.2



Otvor pro šroub k zajištění
zařízení M.2

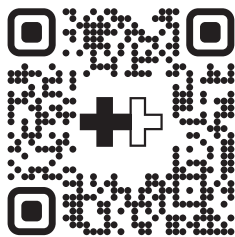
Zásuvka M.2

Instalace zařízení M.2

1. Vypněte dokovací stanici a odpojte napájení. Odpojte dok od hostitelského zařízení a odpojte všechna navazující zařízení z portů doku.
2. Přístup ke slotu M.2 – Otočte dok a odstraňte šroub krytu M.2 pomocí křížového šroubováku.
3. Odstranění zajišťovacího šroubu – Vyjměte malý zajišťovací šroub M.2 uvnitř zásuvky.
4. Vložení disku M.2 – Zarovnejte disk s výřezem ve slotu, zasuňte jej pod úhlem, poté stlačte dolů a zajistěte zajišťovacím šroubem.
5. Opětovná instalace krytu – Vraťte kryt M.2 a utáhněte jeho šroub.
6. Znovu připojte všechna navazující zařízení k portům doku, znovu připojte napájení, zapněte dok a znovu připojte dok k nadřazenému hostitelskému zařízení.

Rychlý start – videonávod

Naskenujte QR kód a podívejte se na naše instruktážní video.



Podporovaná rozlišení monitorů

Windows Thunderbolt 5 hosty

3 × DP 4-lane streamy

	Grafika hostitele	Rozlišení
Jedno vide (vyberte jeden výstup)	DP 2.1 UHBR20	7680 x 4320 @60Hz
	DP 2.1 UHBR20 w/DSC	7680 x 4320 @144Hz
Dvojité video (vyberte dva výstupy)	DP 2.1 UHBR20	7680 x 4320 @60Hz
	DP 2.1 UHBR20 w/DSC	7680 x 4320 @120Hz
Trojité video	DP 2.1 UHBR20	7680 x 4320 @30Hz
	DP 2.1 UHBR20 w/DSC	7680 x 4320 @60Hz

Windows Thunderbolt 4 hosty

2 × DP 4-lane streamy

	Grafika hostitele	Rozlišení
Jedno vide (vyberte jeden výstup)	DP 1.4 HBR3	7680 x 4320 @30Hz
	DP 1.4 HBR3 w/DSC	7680 x 4320 @60Hz
Dvojité video (vyberte dva výstupy)	DP 1.4 HBR3	7680 x 4320 @30Hz+
		3840 x 2160 @30Hz
	DP 1.4 HBR3 w/DSC	7680 x 4320 @60Hz+
		3840 x 2160 @60Hz
Trojité video	Nepodporováno hostitelským počítačem	

USB4 hosty

1 × DP 4-lane stream

	Grafika hostitele	Rozlišení
Jedno vide (vyberte jeden výstup)	DP 1.4 HBR3	7680 x 4320 @30Hz
	DP 1.4 HBR3 w/DSC	7680 x 4320 @60Hz
	DP 2.1 UHBR20	7680 x 4320 @60Hz
	DP 2.1 UHBR20 w/DSC	7680 x 4320 @144Hz
Dvojité video	Nepodporováno hostitelským počítačem	
Trojité video	Nepodporováno hostitelským počítačem	

Podporovaná rozlišení monitorů

MacBook Pro M1/M2/M3 Pro nebo Max
MacBook Air/Pro M4 všechny varianty
MacBook Air M3 (s víkem displeje zavřeným)

	Grafika hostitele	Rozlišení
Jedno vide (vyberte jeden výstup)	DP 1.4 HBR3	6010 x 3384 @60Hz
	DP 1.4 HBR3 w/DSC	6010 x 3384 @60Hz
Dvojité video (vyberte dva výstupy)	DP 1.4 HBR3	6010 x 3384 @60Hz+
		3840 x 2160 @60Hz
	DP 1.4 HBR3 w/DSC	6010 x 3384 @60Hz+
		3840 x 2160 @60Hz
Trojité video	Nepodporováno hostitelským počítačem	

MacBook Air M1 / M2
1 x DP 4-lane streamy

	Grafika hostitele	Rozlišení
Jedno vide (vyberte jeden výstup)	DP 1.4 HBR3	6010 x 3384 @60Hz
	DP 1.4 HBR3 w/DSC	6010 x 3384 @60Hz
Dvojité video	Nepodporováno hostitelským počítačem	
Trojité video	Nepodporováno hostitelským počítačem	

Intel based MacBook
2 x DP 4-lane streamy

	Grafika hostitele	Rozlišení
Jedno vide (vyberte jeden výstup)	DP 1.2 HBR2	3840 x 2160 @60Hz
	DP 1.4 HBR3	5120 x 2160 @60Hz
Dvojité video	DP 1.2 HBR2	3840 x 2160 @60Hz+
		3840 x 2160 @60Hz
	DP 1.4 HBR3	5120 x 2160 @60Hz+
		3840 x 2160 @60Hz

Windows USB-C (MFDP) hosty
1 x DP 2-lane streamy

	Grafika hostitele	Rozlišení
Jedno vide (vyberte jeden výstup)	DP 1.2 HBR2	3840 x 2160 @30Hz
	DP 1.4 HBR3	3840 x 2160 @60Hz
	DP 1.4 HBR3 w/DSC	3840 x 2160 @30Hz
Dvojité video	Nepodporováno hostitelským počítačem	
Trojité video	Nepodporováno hostitelským počítačem	

Bezpečnostní pokyny

- Nevystavujte vlhkosti ani neponožujte do kapaliny.
- Skladujte na chladném, suchém místě. Doporučená teplota skladování: -10°C/14°F až 70°C/158°F; Provozní teplota: 0°C/32°F až 35°C/95°F.
- Neprovádějte demontáž ani se nepokoušejte produkt jakkoli upravovat nebo přetvářet.
- Přestaňte používat a kontaktujte výrobce, pokud je produkt nadměrně horký, vydává zápach, je deformovaný nebo vykazuje jiné abnormality.
- Vyhněte se silným vibracím, nárazům, stlačení při přepravě a chraňte produkt před intenzivním slunečním zářením a deštěm.
- Likvidujte vyřazené produkty v souladu s místními předpisy.
- Nečistěte škodlivými chemikáliemi nebo detergenty.
- Uchovávejte mimo dosah dětí mladších 3 let.
- Dávejte pozor na pády, nárazy, oděry nebo údery.

Informace o shodě:

- Připojte napájecí kabel do zásuvky s uzemněním.
- Zařízení je vhodné pouze pro montáž do výšky ≤ 2 m.
- Pokud je zařízení připojeno k dokovací stanici přes port USB-C PD, musí mít požární kryt.
- Informace o označení se nachází na spodní straně zařízení.
- Prohlášení ErP: Spotřeba energie v režimu vypnuto $< 0,3$ W.

CZECH



Prohlášení o shodě

Výrobce:	Hyper Products Inc.	Tel:	1-714-765-5555
Adresa:	1211 North Miller Street, Anaheim, CA 92806 USA	Fax:	1-714-765-5599
Dovozce:	Targus Europe Ltd.	Internet:	www.targus.com
Adresa:	Targus EMEA Account Management Van Hilststraat 19, 5145 RK Waalwijk, NETHERLANDS	Tel:	+44 (0)20 8831 2000

Tímto potvrzujeme, že následující výrobek s označením HyperDrive Next Thunderbolt 5 Dock(with Power/Adapter, A17-180P4B), model č.HD2801, název značky „HYPER“, splňuje požadavky the Low Voltage Directive 2014/35/EU, COMMISSION REGULATION (EU) 2023/826, EMC Directive 2014/30/EU, EU RoHS Directive 2011/65/EU and its amendment Directive (EU) 2015/863.

Za účelem provedení hodnocení podle výše uvedených nařízení byly použity následující normy:

Low-Voltage Directive: 2014/35/EU

EN IEC 62368-1: 2020+A11:2020

EMC Directive: 2014/30/EU

EN 55032: 2015+A11:2020,Class B

EN IEC 61000-3-2: 2019+A1:2021+A2:2024, Class A

EN 61000-3-3: 2013+A1:2019+A2:2021+AC:2022

EN 55035: 2017+A11:2020

COMMISSION REGULATION (EU) 2023/826

EN 50564:2011

RoHS Directive: 2011/65/EU and its amendment Directive (EU) 2015/863.

EN IEC 63000:2018

CE označení připojeno od roku: 2025

ředitel, Targus - celosvětová dodavatelská skupina

CF Ngoh

Funkce, titul

Jméno

12/05/2025, Hong Kong

Datum / Místo vydání

Podepsáno za společnost Targus a jejím jménem

DK-Introduktion

HyperDrive Next Thunderbolt 5 Dock leverer professionel ydeevne og udvidet tilslutning til Thunderbolt 4- og 5-bærbare computere. Den understøtter op til tre udvidede 4K144Hz-skærme eller en enkelt 8K144Hz-udgang og tilbyder 10 alsidige porte, herunder 2,5Gbps Ethernet, USB-A 10Gbps og 140W USB-C Power Delivery til hurtig opladning af bærbare computere. Thunderbolt Share muliggør højhastighedsdeling af skærm, filer og periferiudstyr mellem pc'er, hvilket forbedrer samarbejdsprocesser. Denne dock er designet til højtydende miljøer og er bygget med et holdbart aluminiumskabinet og 75 % genanvendte materialer.

Pakkens indhold

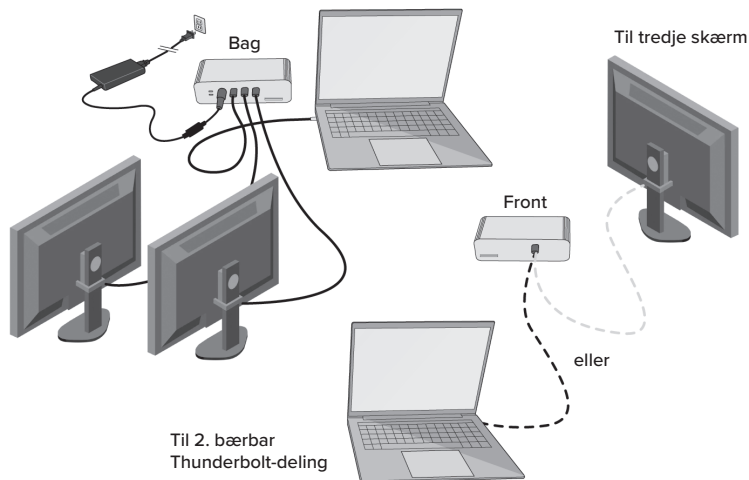
- HD2801GL Thunderbolt 5-dockingstation
- 1 m USB-C Thunderbolt 5-kabel (80Gbps/120Gbps)
- 1 × 180W AC global strømforsyningsadapter
- Regionale strømkabler
- Brugervejledning

Systemkrav

Hardware

- Thunderbolt 4 eller 5 eller anden kompatibel USB-C Alternate Mode Windows-vært
- macOS 15 Sequoia kræves for enhver Mac, der understøtter HD2801 (inklusive nogle få Thunderbolt 3 Mac med macOS 15-kompatibilitet).
- 140W opladning kræver kompatibel vært, der understøtter PD3.1 Extended Power Range (EPR). PD 3.0 Power Delivery op til 100W for kompatible værter.

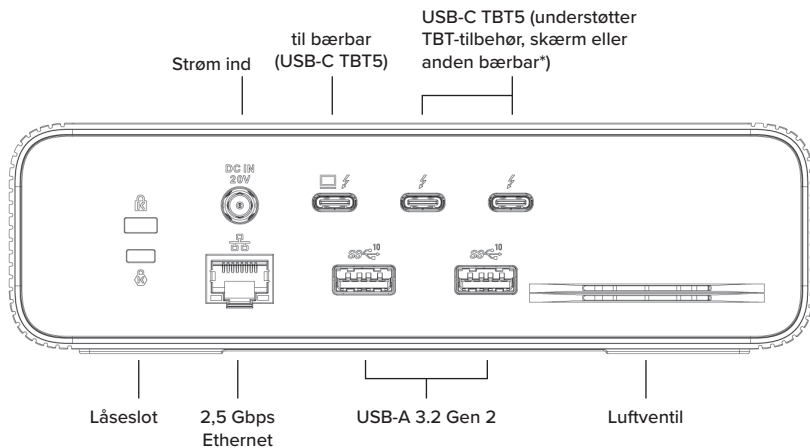
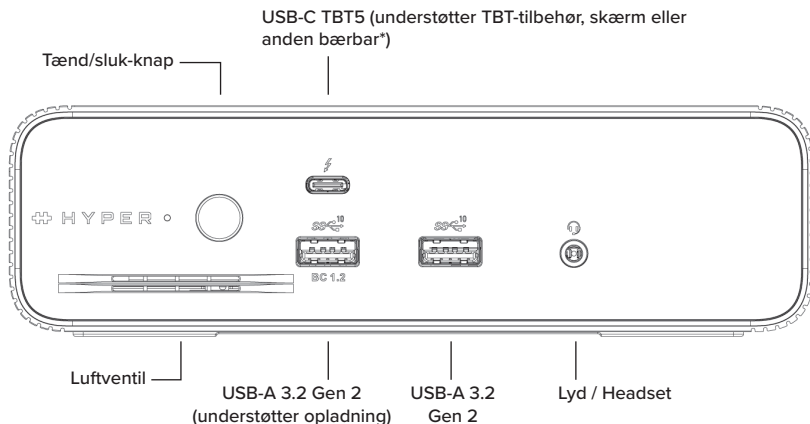
Arbejdsstation Opsætning



Specifikation

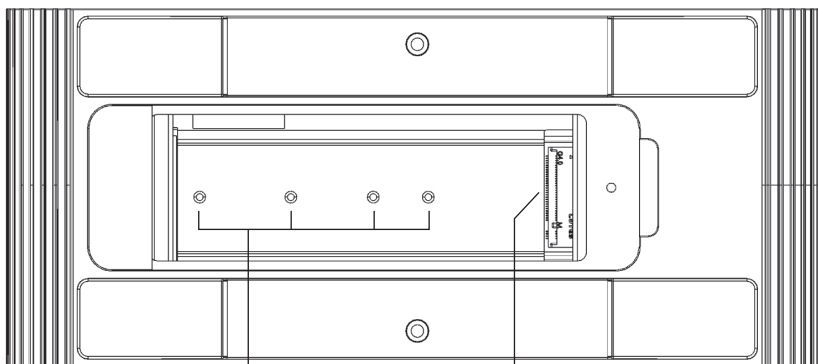
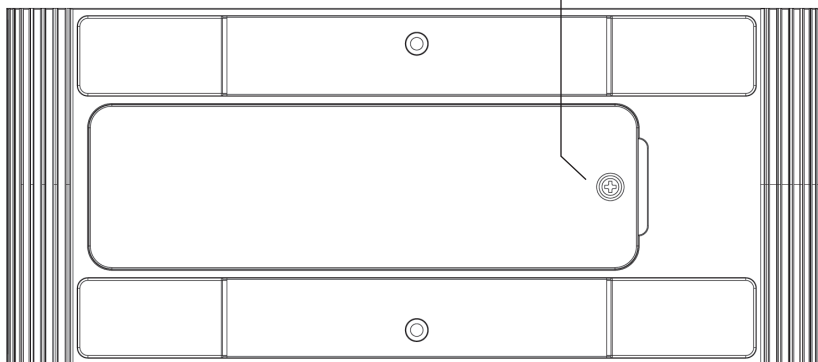
- 1× upstream Thunderbolt 5-port med hastigheder på 80/120 Gb/s og Power Delivery 3.1 EPR 140 W
- 3× Thunderbolt 5-porte med hastigheder på 80/120 Gb/s og Power Delivery 3.1 EPR 140 W
- 1× M.2 SSD-slot (2230 / 2242 / 2260 / 2280 type)
 - 4× PCIe 4.0 NVMe SSD i Thunderbolt-tilstand
 - 2× PCIe 3.0 NVMe SSD i MFDP-tilstand
- 3× USB-A 10 Gb/s porte
- 1× USB-A 10 Gb/s port (understøtter BC 1.2)
- 1× RJ45 2,5 Gb/s Ethernet
- 1× 3,5 mm headset-lydport
- 1× K-sikkerhedslåseslot
- 1× K Nano-sikkerhedslåseslot

Dockingstationsdiagram



**Kræver Thunderbolt Share

Skrue til fjernelse af M.2-dæksel



Skruehul til at låse M.2-
enheden

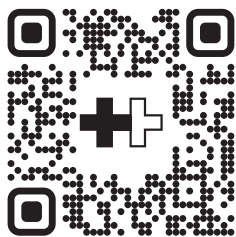
M.2-socket

Installation af M.2-enhed

1. Sluk dockingstationen, og afbryd strømmen. Frakobl docken fra værtsmaskinen, og frakobl alle tilsluttede enheder fra dockens porte.
2. Adgang til M.2-slot – Vend docken om og fjern M.2-dækselskruen med en stjerneskrueetrækker.
3. Fjern låseskrue – Tag den lille M.2-låseskrue ud inde i soklen.
4. Indsæt M.2-drevet – Juster drevet med slottets hak, skub det ind i en vinkel, tryk det ned og fastgør med låseskruen.
5. Genmonter dækslet – Sæt M.2-dækslet tilbage og stram skruen.
6. Tilslut alle tilsluttede enheder igen til dockens porte, tilslut strømmen igen, tænd docken, og tilslut docken igen til værtsenheden.

Hurtig start-videoguide

Scan QR-koden for at se vores opsætningsvideo.



Understøttede skærmopløsninger

Windows-baserede Thunderbolt 5 værter 3 x DP 4-lane Streams

	Værtsgrafik	Opløsning
Enkelt video (vælg én udgang)	DP 2.1 UHBR20	7680 x 4320 @60Hz
	DP 2.1 UHBR20 w/DSC	7680 x 4320 @144Hz
Dobbelt video (vælg to udgange)	DP 2.1 UHBR20	7680 x 4320 @60Hz
	DP 2.1 UHBR20 w/DSC	7680 x 4320 @120Hz
Trippel video	DP 2.1 UHBR20	7680 x 4320 @30Hz
	DP 2.1 UHBR20 w/DSC	7680 x 4320 @60Hz

Windows-baserede Thunderbolt 4 værter 2 x DP 4-lane Streams

	Værtsgrafik	Opløsning
Enkelt video (vælg én udgang))	DP 1.4 HBR3	7680 x 4320 @30Hz
	DP 1.4 HBR3 w/DSC	7680 x 4320 @60Hz
Dobbelt video (vælg to udgange)	DP 1.4 HBR3	7680 x 4320 @30Hz+
		3840 x 2160 @30Hz
	DP 1.4 HBR3 w/DSC	7680 x 4320 @60Hz+
		3840 x 2160 @60Hz
Trippel video	Ikke understøttet af værtsmaskinen	

USB4 værter 1 x DP 4-lane Stream

	Værtsgrafik	Opløsning
Enkelt video (vælg én udgang))	DP 1.4 HBR3	7680 x 4320 @30Hz
	DP 1.4 HBR3 w/DSC	7680 x 4320 @60Hz
	DP 2.1 UHBR20	7680 x 4320 @60Hz
	DP 2.1 UHBR20 w/DSC	7680 x 4320 @144Hz
Dobbelt video	Ikke understøttet af værtsmaskinen	
Trippel video	Ikke understøttet af værtsmaskinen	

Understøttede skærmopløsninger

MacBook Pro M1/M2/M3 Pro eller Max

MacBook Air/Pro M4 alle varianter

MacBook Air M3 (med lukket låg)

	Værtsgrafik	Opløsning
Enkelt video (vælg én udgang)	DP 1.4 HBR3	6010 x 3384 @60Hz
	DP 1.4 HBR3 w/DSC	6010 x 3384 @60Hz
Dobbelt video (vælg to udgange)	DP 1.4 HBR3	6010 x 3384 @60Hz+
		3840 x 2160 @60Hz
	DP 1.4 HBR3 w/DSC	6010 x 3384 @60Hz+
		3840 x 2160 @60Hz
Trippel video	Ikke understøttet af værtsmaskinen	

MacBook Air M1 / M2

1 x DP 4-lane Stream

	Værtsgrafik	Opløsning
Enkelt video (vælg én udgang)	DP 1.4 HBR3	6010 x 3384 @60Hz
	DP 1.4 HBR3 w/DSC	6010 x 3384 @60Hz
Dobbelt video	Ikke understøttet af værtsmaskinen	
Trippel video	Ikke understøttet af værtsmaskinen	

Intel-baseret MacBook

2 x DP 4-lane Streams

	Værtsgrafik	Opløsning
Enkelt video (vælg én udgang)	DP 1.2 HBR2	3840 x 2160 @60Hz
	DP 1.4 HBR3	5120 x 2160 @60Hz
Dobbelt video	DP 1.2 HBR2	3840 x 2160 @60Hz+
		3840 x 2160 @60Hz
	DP 1.4 HBR3	5120 x 2160 @60Hz+
		3840 x 2160 @60Hz

Windows-baserede USB-C (MFDP) værter

1 x DP 2-lane Stream

	Værtsgrafik	Opløsning
Enkelt video (vælg én udgang)	DP 1.2 HBR2	3840 x 2160 @30Hz
	DP 1.4 HBR3	3840 x 2160 @60Hz
	DP 1.4 HBR3 w/DSC	3840 x 2160 @30Hz
Dobbelt video	Ikke understøttet af værtsmaskinen	
Trippel video	Ikke understøttet af værtsmaskinen	

Sikkerhedsinstruktioner

- Må ikke udsættes for fugt eller nedsænkes i væske.
- Opbevares på et køligt, tørt sted. Anbefalet opbevaringstemperatur: -10°C/14°F til 70°C/158°F; Driftstemperatur: 0°C/32°F til 35°C/95°F.
- Demonter ikke og forsøg ikke at ændre eller ombygge produktet på nogen måde.
- Stop brugen og kontakt producenten, hvis produktet bliver meget varmt, afgiver lugt, er deformeret eller viser andre unormale tegn.
- Undgå kraftige vibrationer, stød, pres under transport, og hold produktet væk fra stærkt sollys og regn.
- Bortskaf kasserede produkter korrekt i henhold til lokale regler.
- Rengør ikke med skadelige kemikalier eller rengøringsmidler.
- Hold væk fra børn under 3 år af sikkerhedshensyn.
- Vær opmærksom på fald, stød, slid eller slag.

Overensstemmelsesinformation:

- Sørg for at tilslutte netledningen til en stikkontakt med jordforbindelse.
- Udstyret er kun egnet til montering i højder ≤ 2 m.
- Når udstyret tilsluttes en dockingstation via USB-C PD-port, skal det have brandbeskyttelse.
- Mærkningsoplysninger findes på apparatets bund.
- ErP-erklæring: Strømforbrug i slukket tilstand $< 0,3$ W.

DANISH



Overensstemmelseserklæring

Producent:	Hyper Products Inc.	Tlf.:	1-714-765-5555
Adresse:	1211 North Miller Street, Anaheim, CA 92806 USA	Fax:	1-714-765-5599
Importør:	Targus Europe Ltd.	Internet:	www.targus.com
Adresse:	Targus EMEA Account Management Van Hilstraat 19, 5145 RK Waalwijk, NETHERLANDS	Tlf.:	+44 (0)20 8831 2000

Vi bekræfter hermed, at følgende betegnede produkt HyperDrive Next Thunderbolt 5 Dock(with Power/Adapter, A17-180P4B), model nr. HD2801, Brand navn "HYPER", overholder the Low Voltage Directive 2014/35/EU, COMMISSION REGULATION (EU) 2023/826, EMC Directive 2014/30/EU, EU RoHS Directive 2011/65/EU and its amendment Directive (EU) 2015/863.

Til evalueringen vedrørende ovennævnte direktiver blev følgende standarder anvendt:

Low-Voltage Directive: 2014/35/EU

EN IEC 62368-1: 2020+A11:2020

EMC Directive: 2014/30/EU

EN 55032: 2015+A11:2020, Class B

EN IEC 61000-3-2: 2019+A1:2021+A2:2024, Class A

EN 61000-3-3: 2013+A1:2019+A2:2021+AC:2022

EN 55035: 2017+A11:2020

COMMISSION REGULATION (EU) 2023/826

EN 50564:2011

RoHS Directive: 2011/65/EU and its amendment Directive (EU) 2015/863.

EN IEC 63000:2018

Årstal for CE-mærkningens påbegyndelse: 2025

Director, Targus - Global Sourcing Group

CF Ngoh

Stilling

Navn

12/05/2025/ Hongkong

Dato / Sted

Underskrevet på vegne af Targus

FI-Johdanto

HyperDrive Next Thunderbolt 5 Dock tarjoaa ammattitason suorituskyvyn ja laajennetun liitettävyyden Thunderbolt 4- ja 5-kannettaville. Se tukee jopa kolmea laajennettua 4K144Hz-näyttöä tai yhtä 8K144Hz-ulostuloa ja tarjoaa 10 monipuolista porttia, mukaan lukien 2,5Gbps Ethernet, USB-A 10Gbps ja 140W USB-C Power Delivery nopeaan kannettavan lataukseen. Thunderbolt Share mahdollistaa nopean PC-PC-näytön, tiedostojen ja oheislaitteiden jakamisen, parantaen yhteistyötä. Telakka on suunniteltu korkean suorituskyvyn ympäristöihin ja valmistettu kestävästä alumiinikotelosta ja 75 % kierrätetyistä materiaaleista.

Pakkauksen sisältö

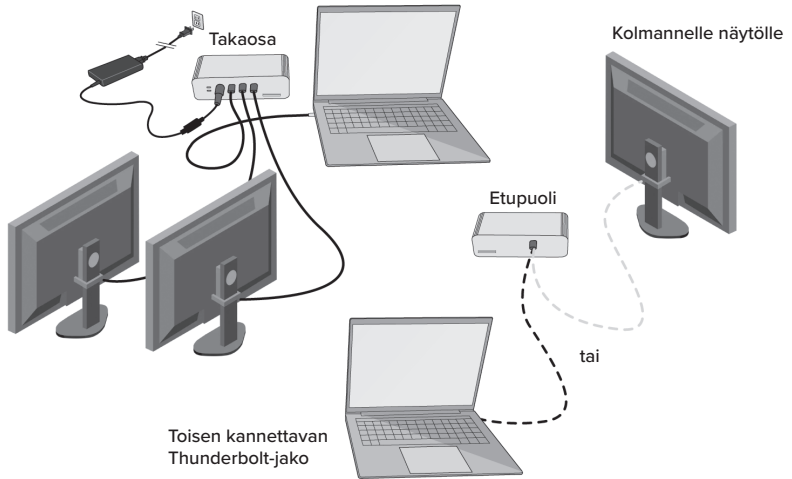
- HD2801GL Thunderbolt 5 -telakka
- 1 m USB-C Thunderbolt 5 -kaapeli (80Gbps/120Gbps)
- 1 x 180 W AC maailmanlaajuinen virtalähde
- Alueelliset virtajohdot
- Käyttöopas

Järjestelmävaatimukset

Laitteisto

- Thunderbolt 4 tai 5 tai muu yhteensopiva USB-C Alternate Mode Windows-isäntä
- macOS 15 Sequoia vaaditaan kaikille Mac-tietokoneille, jotka tukevat HD2801 (mukaan lukien muutamia macOS 15 -yhteensopivat Thunderbolt 3 Macit).
- 140 W lataus vaatii yhteensopivan laitteen, joka tukee PD3.1 Extended Power Range (EPR). PD 3.0 Power Delivery jopa 100 W yhteensopiville laitteille.

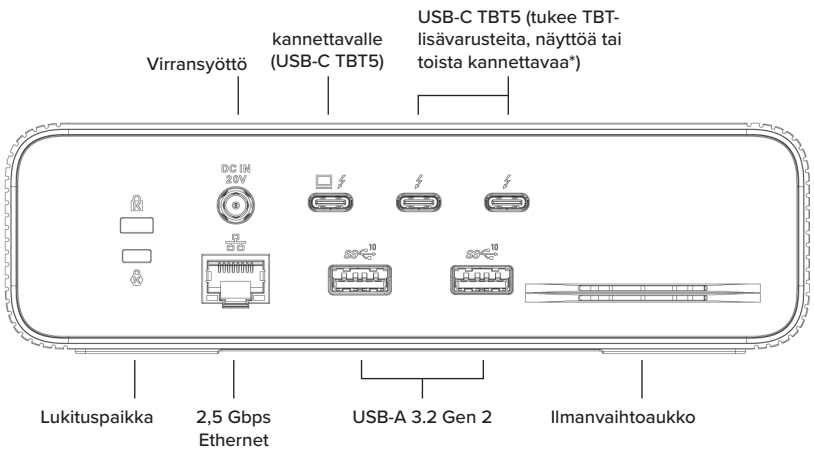
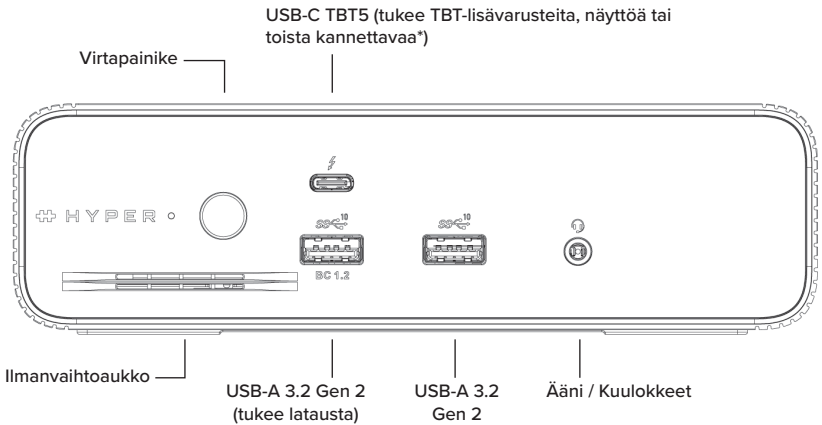
Työaseman asennus



Tekniset tiedot

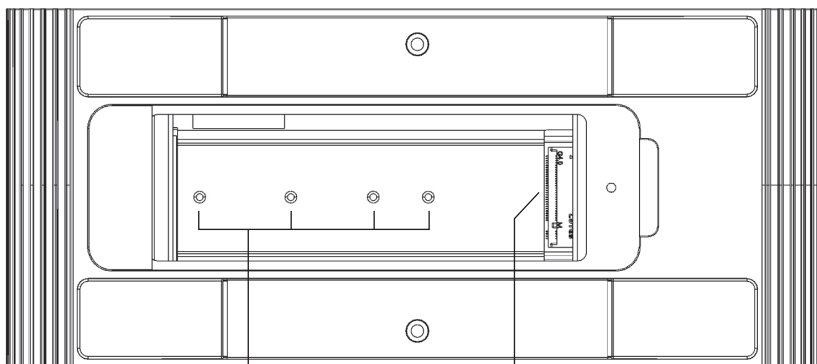
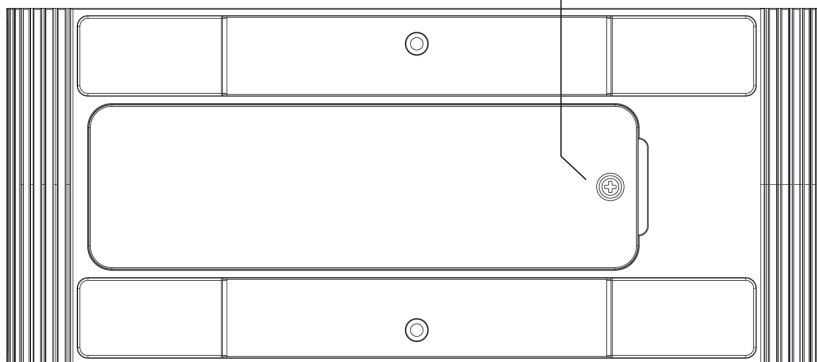
- 1× upstream Thunderbolt 5 -portti, joka tukee 80/120 Gb/s nopeuksia ja Power Delivery 3.1 EPR 140 W
- 3× Thunderbolt 5 -porttia, jotka tukevat 80/120 Gb/s nopeuksia ja Power Delivery 3.1 EPR 140 W
- 1× M.2 SSD-paikka (2230 / 2242 / 2260 / 2280 tyyppi)
 - 4× PCIe 4.0 NVMe SSD Thunderbolt-tilassa
 - 2× PCIe 3.0 NVMe SSD MFDP-tilassa
- 3× USB-A 10 Gb/s porttia
- 1× USB-A 10 Gb/s portti (tukee BC 1.2)
- 1× RJ45 2,5 Gb/s Ethernet
- 1× 3,5 mm kuulokeääniliitäntä
- 1× K-turvalukon paikka
- 1× K Nano -turvalukon paikka

Telakointiaseman kaavio



*Vaatii Thunderbolt Share

Ruuvit M.2-kannen poistamiseen



Ruuvireikä M.2-laitteen
lukitsemiseen

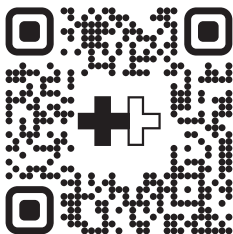
M.2-liitin

M.2-laitteen asennus

1. Sammuta telakka ja irrota virtajohto. Irrota telakka isäntälaitteesta ja irrota kaikki alavirran laitteet telakan porteista.
2. Pääsy M.2-paikkaan – Käännä telakka ympäri ja irrota M.2-kannen ruuvi ristipääruuvimeisselillä.
3. Poista lukitusruuvi – Ota pieni M.2-lukitusruuvi pois liittimestä.
4. Aseta M.2-asema – Kohdista asema loven mukaan, työnnä se vinosti sisään, paina alas ja kiinnitä lukitusruuvilla.
5. Asenna kansi takaisin – Kiinnitä M.2-kansi ja kiristä ruuvi.
6. Kytke kaikki alavirran laitteet takaisin telakan portteihin, kytke virta uudelleen, käynnistä telakka ja liitä telakka uudelleen ylätasoin isäntälaitteeseen.

Pika-aloitusvideo-opas

Skannaa QR-koodi katsoaksesi asennusvideomme.



Tuetut näyttötarkkuudet

Windows-pohjaiset Thunderbolt 5 -isännät

3 × DP 4-kaistainen virta

	Isäntälaitteen grafiikka	Resoluutio
Yksi video (valitse yksi lähtö)	DP 2.1 UHBR20	7680 x 4320 @60Hz
	DP 2.1 UHBR20 w/DSC	7680 x 4320 @144Hz
Kaksi videota (valitse kaksi lähtöä)	DP 2.1 UHBR20	7680 x 4320 @60Hz
	DP 2.1 UHBR20 w/DSC	7680 x 4320 @120Hz
Kolme videota	DP 2.1 UHBR20	7680 x 4320 @30Hz
	DP 2.1 UHBR20 w/DSC	7680 x 4320 @60Hz

Windows-pohjaiset Thunderbolt 4 -isännät

2 × DP 4-kaistainen virta

	Isäntälaitteen grafiikka	Resoluutio
Yksi video (valitse yksi lähtö)	DP 1.4 HBR3	7680 x 4320 @30Hz
	DP 1.4 HBR3 w/DSC	7680 x 4320 @60Hz
Kaksi videota (valitse kaksi lähtöä)	DP 1.4 HBR3	7680 x 4320 @30Hz+
		3840 x 2160 @30Hz
	DP 1.4 HBR3 w/DSC	7680 x 4320 @60Hz+
		3840 x 2160 @60Hz
Kolme videota	Not supported by host machine	

USB4-isännät

1 × DP 4-kaistainen virta

	Isäntälaitteen grafiikka	Resoluutio
Yksi video (valitse yksi lähtö)	DP 1.4 HBR3	7680 x 4320 @30Hz
	DP 1.4 HBR3 w/DSC	7680 x 4320 @60Hz
	DP 2.1 UHBR20	7680 x 4320 @60Hz
	DP 2.1 UHBR20 w/DSC	7680 x 4320 @144Hz
Kaksi videota	Not supported by host machine	
Kolme videota	Not supported by host machine	

Tuetut näyttötarkkuudet

MacBook Pro M1/M2/M3 Pro tai Max
MacBook Air/Pro M4 kaikki versiot
MacBook Air M3 (näytön kansi suljettuna)

	Isäntälaitteen grafiikka	Resoluutio
Yksi video (valitse yksi lähtö)	DP 1.4 HBR3	6010 x 3384 @60Hz
	DP 1.4 HBR3 w/DSC	6010 x 3384 @60Hz
Kaksi videota (valitse kaksi lähtöä)	DP 1.4 HBR3	6010 x 3384 @60Hz+
		3840 x 2160 @60Hz
	DP 1.4 HBR3 w/DSC	6010 x 3384 @60Hz+
		3840 x 2160 @60Hz
Kolme videota	Not supported by host machine	

MacBook Air M1 / M2
1 × DP 4-kaistainen virta

	Isäntälaitteen grafiikka	Resoluutio
Yksi video (valitse yksi lähtö)	DP 1.4 HBR3	6010 x 3384 @60Hz
	DP 1.4 HBR3 w/DSC	6010 x 3384 @60Hz
Kaksi videota	Not supported by host machine	
Kolme videota	Not supported by host machine	

Intel-pohjainen MacBook
2 × DP 4-kaistainen virta

	Isäntälaitteen grafiikka	Resoluutio
Yksi video (valitse yksi lähtö)	DP 1.2 HBR2	3840 x 2160 @60Hz
	DP 1.4 HBR3	5120 x 2160 @60Hz
Kaksi videota	DP 1.2 HBR2	3840 x 2160 @60Hz+
		3840 x 2160 @60Hz
	DP 1.4 HBR3	5120 x 2160 @60Hz+
		3840 x 2160 @60Hz

Windows-pohjaiset USB-C (MFD) isännät
1 × DP 2-kaistainen virta

	Isäntälaitteen grafiikka	Resoluutio
Yksi video (valitse yksi lähtö)	DP 1.2 HBR2	3840 x 2160 @30Hz
	DP 1.4 HBR3	3840 x 2160 @60Hz
	DP 1.4 HBR3 w/DSC	3840 x 2160 @30Hz
Kaksi videota	Not supported by host machine	
Kolme videota	Not supported by host machine	

Turvaohjeet

- Älä altista kosteudelle tai upota nesteeseen.
- Säilytä viileässä ja kuivassa paikassa. Suositeltu säilytyslämpötila: -10°C/14°F – 70°C/158°F; Käyttölämpötila: 0°C/32°F – 35°C/95°F.
- Älä pura tai yritä muokata tuotetta millään tavalla.
- Lopeta käyttö ja ota yhteyttä valmistajaan, jos tuote kuumenee liikaa, haisee, on muotoutunut tai havaitset muita poikkeavuuksia.
- Vältä voimakasta tärinää, iskuja, puristusta kuljetuksen aikana ja pidä tuote poissa voimakkaasta auringonvalosta ja sateesta.
- Hävitä käytöstä poistetut tuotteet asianmukaisesti paikallisten määräysten mukaisesti.
- Älä puhdista haitallisilla kemikaaleilla tai pesuaineilla.
- Pidä poissa alle 3-vuotiaiden lasten ulottuvilta turvallisuuden vuoksi.
- Varo pudotuksia, kolhuja, hankaumia tai iskuja.

Yhdenmukaisuustiedot:

- Varmista, että virtajohto on liitetty maadoitettuun pistorasiaan.
- Laite soveltuu vain asennettavaksi korkeuksiin ≤ 2 m.
- Kun laite liitetään telakkaan USB-C PD-portin kautta, sen tulee olla palosuojattu.
- Merkintätiedot sijaitsevat laitteen pohjassa.
- ErP-lauseke: Virrankulutus pois päältä $< 0,3$ W.

FINNISH



Yhdenmukaisuusilmoitus

Valmistaja:	Hyper Products Inc.	Puh:	1-714-765-5555
Osoite:	1211 North Miller Street, Anaheim, CA 92806 USA	Faksi:	1-714-765-5599
Maahantuoja:	Targus Europe Ltd.	Internet:	www.targus.com
Osoite:	Targus EMEA Account Management Van Hilststraat 19, 5145 RK Waalwijk, NETHERLANDS	Puh:	+44 (0)20 8831 2000

Täten vakuutamme, että tuote HyperDrive Next Thunderbolt 5 Dock(with Power/Adapter, A17-180P4B), mallinro HD2801, tuotemerkki HYPER, täyttää the Low Voltage Directive 2014/35/EU, COMMISSION REGULATION (EU) 2023/826, EMC Directive 2014/30/EU, EU RoHS Directive 2011/65/EU and its amendment Directive (EU) 2015/863.

Arvioitaessa seuraavien direktiivien vaatimusten täyttymistä noudatetaan seuraavia standardeja:

Low-Voltage Directive: 2014/35/EU

EN IEC 62368-1: 2020+A11:2020

EMC Directive: 2014/30/EU

EN 55032: 2015+A11:2020, Class B

EN IEC 61000-3-2: 2019+A1:2021+A2:2024, Class A

EN 61000-3-3: 2013+A1:2019+A2:2021+AC:2022

EN 55035: 2017+A11:2020

COMMISSION REGULATION (EU) 2023/826

EN 50564:2011

RoHS Directive: 2011/65/EU and its amendment Directive (EU) 2015/863.

EN IEC 63000:2018

CE-merkinnän myöntämisvuosi: 2025

Director, Targus - Global Sourcing Group

CF Ngho

Tehtävä

Nimi

Hongkong 12/05/2025

A handwritten signature in black ink, appearing to be "CF Ngho".

Antamispäivä ja -paikka

Targuksen puolesta

GR-Εισαγωγή

Το HyperDrive Next Thunderbolt 5 Dock προσφέρει επαγγελματική απόδοση και διευρυμένη συνδεσιμότητα για φορητούς υπολογιστές Thunderbolt 4 και 5. Υποστηρίζει έως τρεις επεκταμένες οθόνες 4K144Hz ή μία έξοδο 8K144Hz, ενώ προσφέρει 10 ευέλικτες θύρες, συμπεριλαμβανομένων 2.5Gbps Ethernet, USB-A 10Gbps και 140W USB-C Power Delivery για γρήγορη φόρτιση φορητού υπολογιστή. Το Thunderbolt Share επιτρέπει γρήγορη κοινή χρήση οθόνης, αρχείων και περιφερειακών μεταξύ υπολογιστών, βελτιώνοντας τη συνεργασία. Σχεδιασμένο για περιβάλλοντα υψηλής απόδοσης, το dock είναι κατασκευασμένο από ανθεκτικό περίβλημα αλουμινίου και 75% ανακυκλωμένα υλικά.

Περιεχόμενα Συσκευασίας

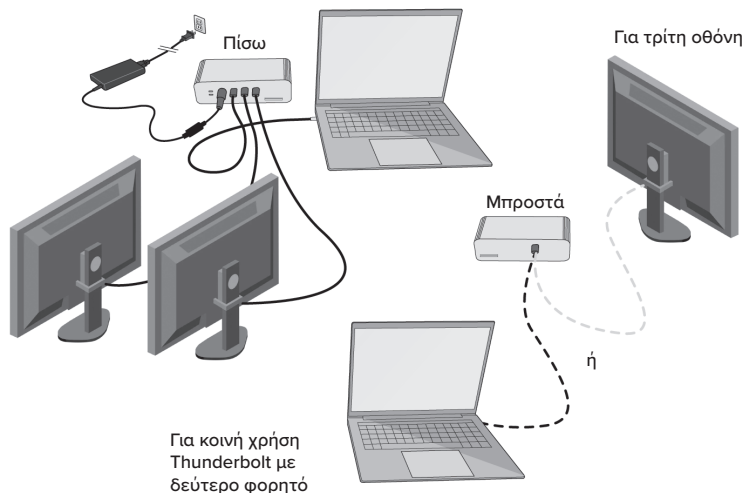
- Σταθμός σύνδεσης Thunderbolt 5 HD2801GL
- Καλώδιο USB-C Thunderbolt 5 μήκους 1m (80Gbps/120Gbps)
- 1 × 180W AC Παγκόσμιος Αντάπτορας Ρεύματος
- Περιφερειακά καλώδια τροφοδοσίας
- Οδηγός Χρήσης

Απαιτήσεις Συστήματος

Υλικό

- Thunderbolt 4 ή 5 ή άλλη συμβατή θύρα USB-C Alternate Mode για Windows
- Απαιτείται macOS 15 Sequoia για οποιοδήποτε Mac που υποστηρίζει HD2801 (συμπεριλαμβανομένων ορισμένων Mac με Thunderbolt 3 συμβατών με macOS 15).
- Η φόρτιση 140W απαιτεί συμβατό υπολογιστή που υποστηρίζει PD3.1 Extended Power Range (EPR). PD 3.0 Power Delivery έως 100W για συμβατές συσκευές.

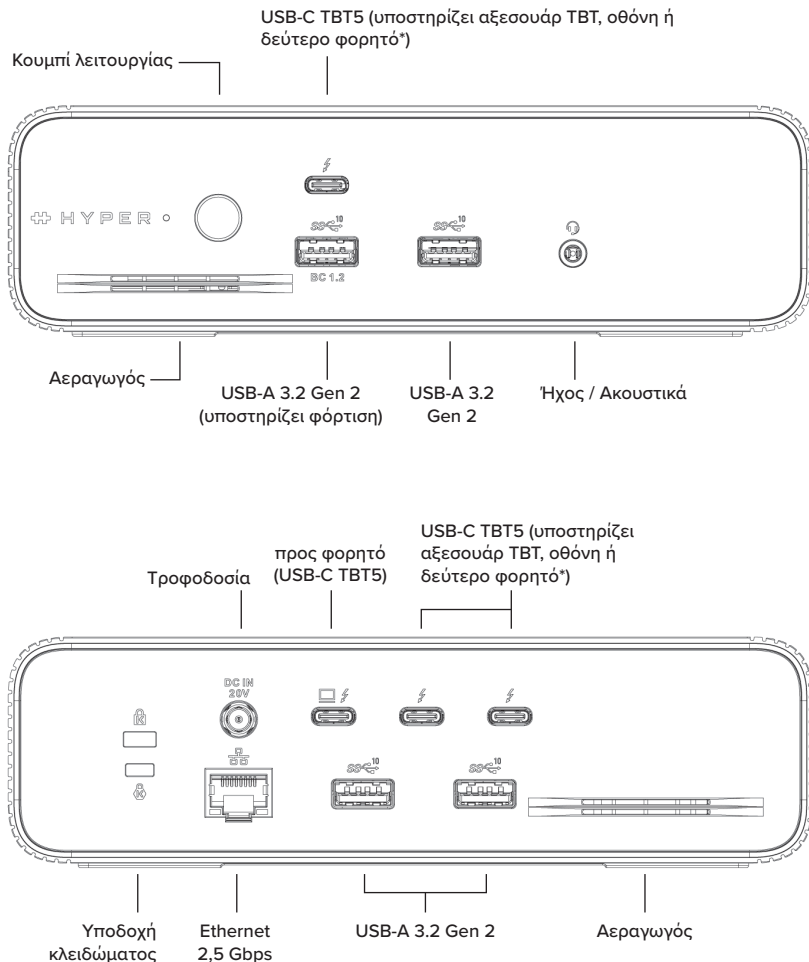
Ρύθμιση Σταθμού Εργασίας



Προδιαγραφές

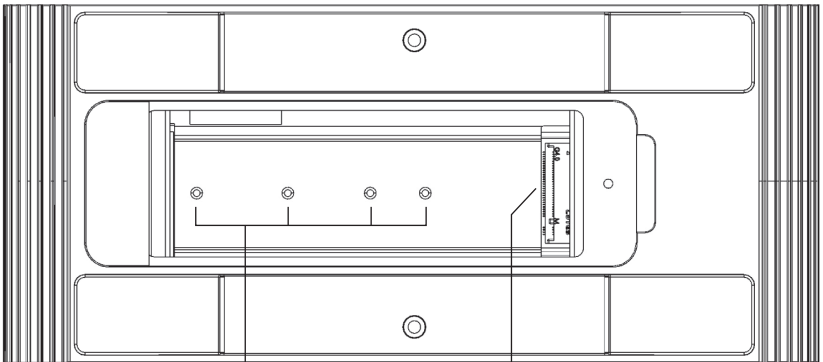
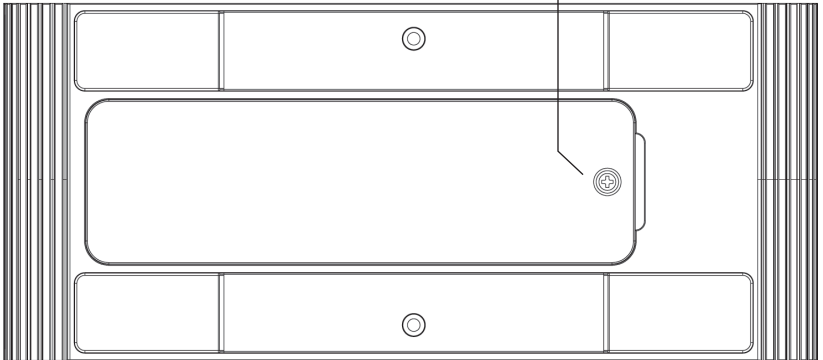
- 1× upstream Thunderbolt 5 θύρα που υποστηρίζει ταχύτητες 80/120 Gb/s και Power Delivery 3.1 EPR 140 W
- 3× Thunderbolt 5 θύρες που υποστηρίζουν ταχύτητες 80/120 Gb/s και Power Delivery 3.1 EPR 140 W
- 1× υποδοχή M.2 SSD (2230 / 2242 / 2260 / 2280 τύπος)
 - 4× NVMe SSD PCIe 4.0 σε λειτουργία Thunderbolt
 - 2× NVMe SSD PCIe 3.0 σε λειτουργία MFDP
- 3× θύρες USB-A 10 Gb/s
- 1× θύρα USB-A 10 Gb/s (υποστηρίζει BC 1.2)
- 1× RJ45 Ethernet 2,5 Gb/s
- 1× θύρα ήχου ακουστικών 3,5 mm
- 1× υποδοχή κλειδώματος ασφαλείας K
- 1× υποδοχή κλειδώματος ασφαλείας K Nano

Διάγραμμα σταθμού σύνδεσης



*Απαιτεί Thunderbolt Share

Βίδα για αφαίρεση του καλύμματος M.2



Ανοιγμα οπής βίδας για κλείδωμα της συσκευής M.2

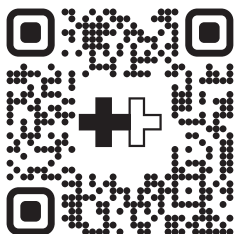
Υποδοχή M.2

Εγκατάσταση συσκευής M.2

1. Απενεργοποιήστε τον σταθμό σύνδεσης και αποσυνδέστε την τροφοδοσία. Αποσυνδέστε τον σταθμό από τη συσκευή υποδοχής και αφαιρέστε όλες τις συσκευές κατάντη από τις θύρες του σταθμού.
2. Πρόσβαση στη θύρα M.2 – Γυρίστε το dock ανάποδα και αφαιρέστε τη βίδα του καλύμματος M.2 με κατσαβίδι Phillips.
3. Αφαίρεση βίδας κλειδώματος – Βγάλτε τη μικρή βίδα κλειδώματος M.2 μέσα στην υποδοχή.
4. Εισαγωγή της μονάδας M.2 – Ευθυγραμμίστε τη μονάδα με την εγκοπή, σύρετέ την υπό γωνία, πιέστε προς τα κάτω και ασφαλίστε με τη βίδα κλειδώματος.
5. Επανατοποθέτηση καλύμματος – Τοποθετήστε ξανά το κάλυμμα M.2 και σφίξτε τη βίδα.
6. Επανασυνδέστε όλες τις συσκευές κατάντη στις θύρες του σταθμού, επανασυνδέστε την τροφοδοσία, ενεργοποιήστε τον σταθμό και συνδέστε ξανά τον σταθμό στη συσκευή υποδοχής ανάντη.

Οδηγός βίντεο γρήγορης εκκίνησης

Σαρώστε τον κωδικό QR για να παρακολουθήσετε το βίντεο ρύθμισης.



Υποστηριζόμενες αναλύσεις οθόνης

Windows Thunderbolt 5 υπολογιστές

3 × DP 4-lane ροές

	Γραφικά υπολογιστή υποδοχής	Ανάλυση
Μονό βίντεο (επιλέξτε μία έξοδο)	DP 2.1 UHBR20	7680 x 4320 @60Hz
	DP 2.1 UHBR20 w/DSC	7680 x 4320 @144Hz
Διπλό βίντεο (επιλέξτε δύο εξόδους)	DP 2.1 UHBR20	7680 x 4320 @60Hz
	DP 2.1 UHBR20 w/DSC	7680 x 4320 @120Hz
Τριπλό βίντεο	DP 2.1 UHBR20	7680 x 4320 @30Hz
	DP 2.1 UHBR20 w/DSC	7680 x 4320 @60Hz

Windows Thunderbolt 4 υπολογιστές

2 × DP 4-lane ροές

	Γραφικά υπολογιστή υποδοχής	Ανάλυση
Μονό βίντεο (επιλέξτε μία έξοδο)	DP 1.4 HBR3	7680 x 4320 @30Hz
	DP 1.4 HBR3 w/DSC	7680 x 4320 @60Hz
Διπλό βίντεο (επιλέξτε δύο εξόδους)	DP 1.4 HBR3	7680 x 4320 @30Hz+
		3840 x 2160 @30Hz
	DP 1.4 HBR3 w/DSC	7680 x 4320 @60Hz+
		3840 x 2160 @60Hz
Τριπλό βίντεο	Δεν υποστηρίζεται από τον υπολογιστή	

USB4 υπολογιστές

1 × DP 4-lane ροή

	Γραφικά υπολογιστή υποδοχής	Ανάλυση
Μονό βίντεο (επιλέξτε μία έξοδο)	DP 1.4 HBR3	7680 x 4320 @30Hz
	DP 1.4 HBR3 w/DSC	7680 x 4320 @60Hz
	DP 2.1 UHBR20	7680 x 4320 @60Hz
	DP 2.1 UHBR20 w/DSC	7680 x 4320 @144Hz
Διπλό βίντεο	Δεν υποστηρίζεται από τον υπολογιστή	
Τριπλό βίντεο	Δεν υποστηρίζεται από τον υπολογιστή	

Υποστηριζόμενες αναλύσεις οθόνης

MacBook Pro M1/M2/M3 Pro ή Max
MacBook Air/Pro M4 όλες οι εκδόσεις
MacBook Air M3 (με κλειστό καπάκι)

	Γραφικά υπολογιστή υποδοχής	Ανάλυση
Μονό βίντεο (επιλέξτε μία έξοδο)	DP 1.4 HBR3	6010 x 3384 @60Hz
	DP 1.4 HBR3 w/DSC	6010 x 3384 @60Hz
Διπλό βίντεο (επιλέξτε δύο εξόδους)	DP 1.4 HBR3	6010 x 3384 @60Hz+
		3840 x 2160 @60Hz
	DP 1.4 HBR3 w/DSC	6010 x 3384 @60Hz+
		3840 x 2160 @60Hz
Τριπλό βίντεο	Δεν υποστηρίζεται από τον υπολογιστή	

MacBook Air M1 / M2
1 × DP 4-lane ροή

	Γραφικά υπολογιστή υποδοχής	Ανάλυση
Μονό βίντεο (επιλέξτε μία έξοδο)	DP 1.4 HBR3	6010 x 3384 @60Hz
	DP 1.4 HBR3 w/DSC	6010 x 3384 @60Hz
Διπλό βίντεο	Δεν υποστηρίζεται από τον υπολογιστή	
Τριπλό βίντεο	Δεν υποστηρίζεται από τον υπολογιστή	

Intel MacBook
2 × DP 4-lane ροές

	Γραφικά υπολογιστή υποδοχής	Ανάλυση
Μονό βίντεο (επιλέξτε μία έξοδο)	DP 1.2 HBR2	3840 x 2160 @60Hz
	DP 1.4 HBR3	5120 x 2160 @60Hz
Διπλό βίντεο	DP 1.2 HBR2	3840 x 2160 @60Hz+
		3840 x 2160 @60Hz
	DP 1.4 HBR3	5120 x 2160 @60Hz+
		3840 x 2160 @60Hz

Windows USB-C (MFDP) υπολογιστές
1 × DP 2-lane ροή

	Γραφικά υπολογιστή υποδοχής	Ανάλυση
Μονό βίντεο (επιλέξτε μία έξοδο)	DP 1.2 HBR2	3840 x 2160 @30Hz
	DP 1.4 HBR3	3840 x 2160 @60Hz
	DP 1.4 HBR3 w/DSC	3840 x 2160 @30Hz
Διπλό βίντεο	Δεν υποστηρίζεται από τον υπολογιστή	
Τριπλό βίντεο	Δεν υποστηρίζεται από τον υπολογιστή	

Οδηγίες Ασφαλείας

- Μην εκθέτετε σε υγρασία ή βυθίζετε σε υγρό.
- Αποθηκεύστε σε δροσερό, ξηρό μέρος. Συνιστώμενη θερμοκρασία αποθήκευσης: $-10^{\circ}\text{C}/14^{\circ}\text{F}$ έως $70^{\circ}\text{C}/158^{\circ}\text{F}$; Θερμοκρασία λειτουργίας: $0^{\circ}\text{C}/32^{\circ}\text{F}$ έως $35^{\circ}\text{C}/95^{\circ}\text{F}$.
- Μην αποσυναρμολογείτε ή προσπαθείτε να τροποποιήσετε το προϊόν με οποιονδήποτε τρόπο.
- Διακόψτε τη χρήση και επικοινωνήστε με τον κατασκευαστή εάν το προϊόν είναι υπερβολικά ζεστό, εκπέμπει οσμή, έχει παραμορφωθεί ή παρατηρήσετε άλλες ανωμαλίες.
- Αποφύγετε έντονους κραδασμούς, κρούσεις, πίεση κατά τη μεταφορά και κρατήστε το προϊόν μακριά από έντονη ηλιακή ακτινοβολία και βροχή.
- Απορρίψτε τα προϊόντα σύμφωνα με τους τοπικούς κανονισμούς.
- Μην καθαρίζετε με επιβλαβή χημικά ή απορρυπαντικά.
- Κρατήστε μακριά από παιδιά κάτω των 3 ετών για ασφάλεια.
- Να είστε προσεκτικοί με πτώσεις, χτυπήματα, εκδορές ή κρούσεις.

Πληροφορίες Συμμόρφωσης:

- Βεβαιωθείτε ότι το καλώδιο τροφοδοσίας είναι συνδεδεμένο σε πρίζα με γείωση.
- Ο εξοπλισμός είναι κατάλληλος μόνο για τοποθέτηση σε ύψος ≤ 2 μ.
- Όταν συνδέεται σε σταθμό σύνδεσης μέσω θύρας USB-C PD, ο εξοπλισμός πρέπει να διαθέτει περίβλημα πυρασφάλειας.
- Οι πληροφορίες σήμανσης βρίσκονται στο κάτω μέρος της συσκευής.
- Δήλωση ErP: Κατανάλωση ισχύος σε κατάσταση απενεργοποίησης $< 0,3$ W.

GREEK



Δήλωση συμμόρφωσης

Κατασκευαστής:	Hyper Products Inc.	Τηλ:	1-714-765-5555
Διεύθυνση:	1211 North Miller Street, Anaheim, CA 92806 USA	Φαξ:	1-714-765-5599
Εισαγωγέας:	Targus Europe Ltd.	Ιστοσελίδα:	www.targus.com
Διεύθυνση:	Targus EMEA Account Management Van Hilststraat 19, 5145 RK Waalwijk, NETHERLANDS	Τηλ:	+44 (0)20 8831 2000

Δια της παρούσης βεβαιώνουμε ότι το ακόλουθο προϊόν HyperDrive Next Thunderbolt 5 Dock (with Power Adapter, A17-180P4B) αρ. Μοντέλου HD2801 με το εμπορικό όνομα «HYPER», συμμορφώνεται με τις οδηγίες the Low Voltage Directive 2014/35/EU, COMMISSION REGULATION (EU) 2023/826, EMC Directive 2014/30/EU, EU RoHS Directive 2011/65/EU and its amendment Directive (EU) 2015/863.

Για την αξιολόγηση σχετικά με τις ανωτέρω οδηγίες, εφαρμόστηκαν τα ακόλουθα πρότυπα:

Low-Voltage Directive: 2014/35/EU

EN IEC 62368-1: 2020+A11:2020

EMC Directive: 2014/30/EU

EN 55032: 2015+A11:2020, Class B

EN IEC 61000-3-2: 2019+A1:2021+A2:2024, Class A

EN 61000-3-3: 2013+A1:2019+A2:2021+AC:2022

EN 55035: 2017+A11:2020

COMMISSION REGULATION (EU) 2023/826

EN 50564:2011

RoHS Directive: 2011/65/EU and its amendment Directive (EU) 2015/863.

EN IEC 63000:2018

Έτος έναρξης σήμανσης CE: 2025

Διευθυντής της Targus - Global Sourcing Group

CF Ngho

Τίτλος

Όνομα

12/05/2025/ Χονγκ Κονγκ

Ημερομηνία/ Τόπος έκδοσης

Υπογραφή για λογαριασμό της Targus

IT-Introduzione

HyperDrive Next Thunderbolt 5 Dock offre prestazioni professionali e connettività avanzata per laptop Thunderbolt 4 e 5. Supporta fino a tre display estesi 4K144Hz o un singolo output 8K144Hz, offrendo 10 porte versatili tra cui Ethernet 2,5Gbps, USB-A 10Gbps e USB-C Power Delivery da 140W per una ricarica rapida del laptop. Thunderbolt Share consente la condivisione ad alta velocità di schermo, file e periferiche tra PC, migliorando i flussi di lavoro collaborativi. Progettato per ambienti ad alte prestazioni, questo dock è realizzato con un involucro in alluminio resistente e materiali riciclati post-consumo al 75%.

Contenuto della confezione

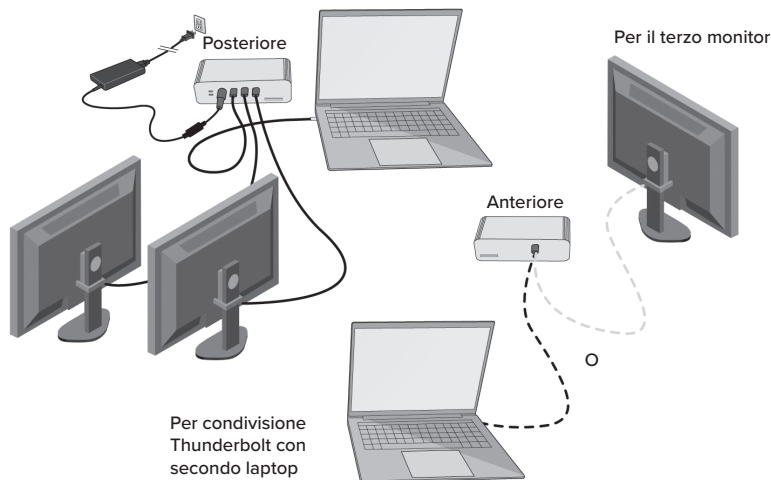
- Dock Thunderbolt 5 HD2801GL
- Cavo USB-C Thunderbolt 5 da 1 m (80Gbps/120Gbps)
- 1 × Alimentatore AC universale da 180W
- Cavi di alimentazione regionali
- Guida utente

Requisiti di sistema

Hardware

- Thunderbolt 4 o 5 o altro host Windows compatibile con USB-C Alternate Mode
- macOS 15 Sequoia è richiesto per qualsiasi Mac che supporti HD2801 (inclusi alcuni Mac Thunderbolt 3 compatibili con macOS 15).
- La ricarica a 140W richiede un host compatibile che supporti PD3.1 Extended Power Range (EPR). Power Delivery PD 3.0 fino a 100W per host compatibili.

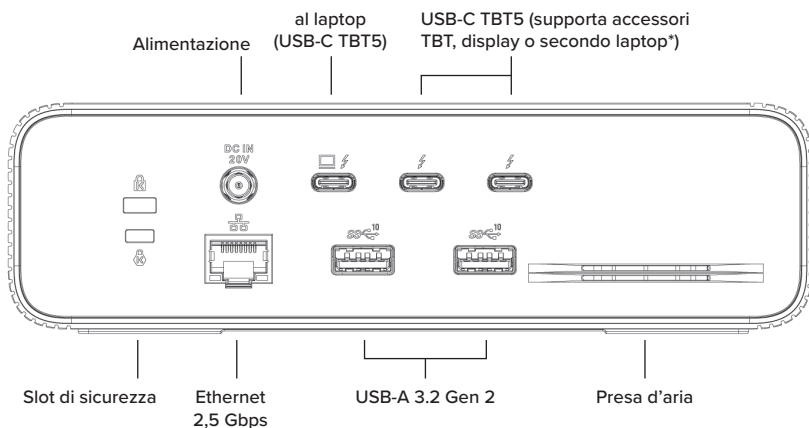
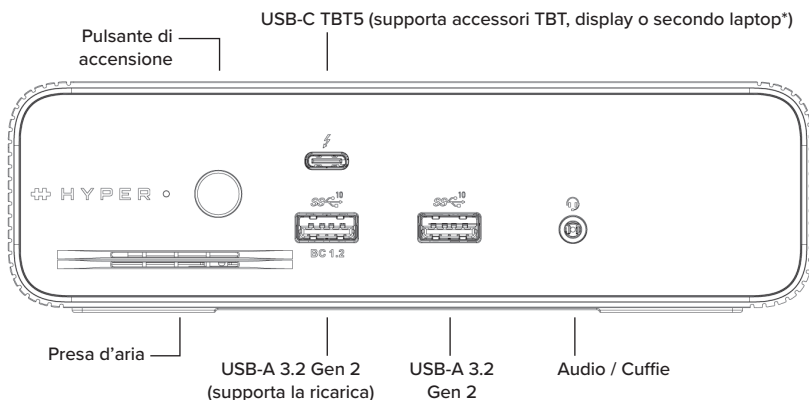
Configurazione Workstation



Specifiche

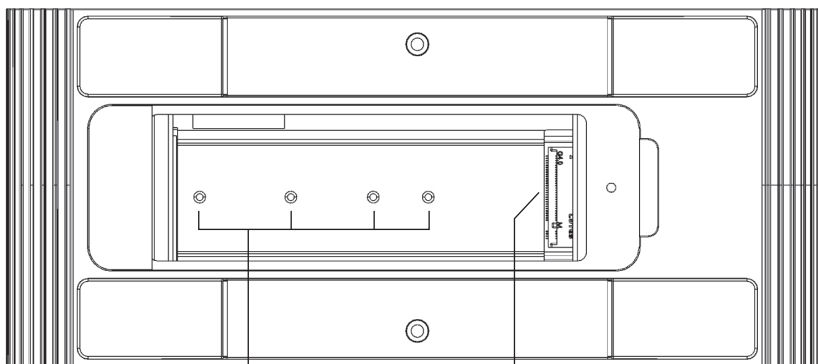
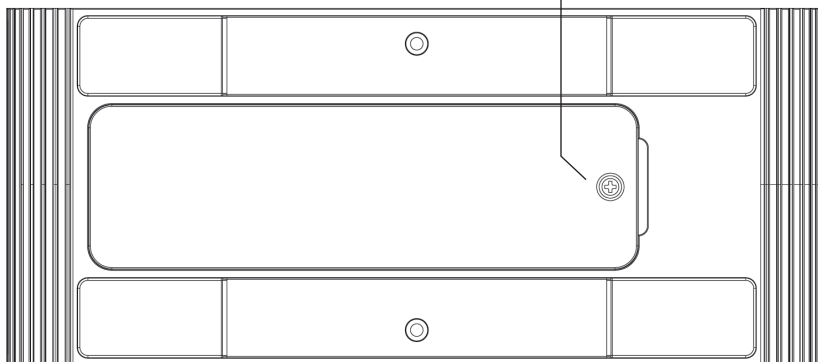
- 1× porta Thunderbolt 5 upstream che supporta velocità di 80/120 Gb/s e Power Delivery 3.1 EPR 140 W
- 3× porte Thunderbolt 5 che supportano velocità di 80/120 Gb/s e Power Delivery 3.1 EPR 140 W
- 1× slot M.2 SSD (2230 / 2242 / 2260 / 2280 tipo)
 - 4× SSD NVMe PCIe 4.0 in modalità Thunderbolt
 - 2× SSD NVMe PCIe 3.0 in modalità MFDP
- 3× porte USB-A 10 Gb/s
- 1× porta USB-A 10 Gb/s (supporta BC 1.2)
- 1× RJ45 Ethernet 2,5 Gb/s
- 1× porta audio cuffie da 3,5 mm
- 1× slot per blocco di sicurezza K
- 1× slot per blocco di sicurezza K Nano

Schema della docking station



*Richiede Thunderbolt Share

Vite per rimuovere il coperchio M.2



Foro per vite per bloccare il dispositivo M.2

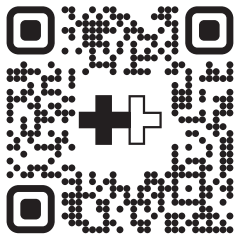
Presca M.2

Installazione del dispositivo M.2

1. Spegnerne la docking station e scollegare l'alimentazione. Scollegare il dock dal dispositivo host e scollegare tutti i dispositivi downstream dalle porte del dock.
2. Accedere allo slot M.2 – Capovolgere il dock e rimuovere la vite del coperchio M.2 con un cacciavite a croce.
3. Rimuovere la vite di bloccaggio – Estrarre la piccola vite di bloccaggio M.2 all'interno della presa.
4. Inserire l'unità M.2 – Allineare l'unità con la tacca dello slot, inserirla inclinata, poi premere verso il basso e fissare con la vite di bloccaggio.
5. Reinstallare il coperchio – Riposizionare il coperchio M.2 e serrare la vite.
6. Ricollegare tutti i dispositivi downstream alle porte del dock, ricollegare l'alimentazione, accendere il dock e ricollegare il dock al dispositivo host upstream.

Guida video di avvio rapido

Scansiona il codice QR per guardare il nostro video di configurazione.



Risoluzioni del monitor supportate

Host Windows Thunderbolt 5

3 × flussi DP a 4 corsie

	Grafica host	Risoluzione
Video singolo (scegliere un'uscita)	DP 2.1 UHBR20	7680 x 4320 @60Hz
	DP 2.1 UHBR20 w/DSC	7680 x 4320 @144Hz
Video doppio (scegliere due uscite)	DP 2.1 UHBR20	7680 x 4320 @60Hz
	DP 2.1 UHBR20 w/DSC	7680 x 4320 @120Hz
Video triplo	DP 2.1 UHBR20	7680 x 4320 @30Hz
	DP 2.1 UHBR20 w/DSC	7680 x 4320 @60Hz

Host Windows Thunderbolt 4

2 × flussi DP a 4 corsie

	Grafica host	Risoluzione
Video singolo (scegliere un'uscita)	DP 1.4 HBR3	7680 x 4320 @30Hz
	DP 1.4 HBR3 w/DSC	7680 x 4320 @60Hz
Video doppio (scegliere due uscite)	DP 1.4 HBR3	7680 x 4320 @30Hz+
		3840 x 2160 @30Hz
	DP 1.4 HBR3 w/DSC	7680 x 4320 @60Hz+
		3840 x 2160 @60Hz
Video triplo	Non supportato dal computer host	

Host USB4

1 × flusso DP a 4 corsie

	Grafica host	Risoluzione
Video singolo (scegliere un'uscita)	DP 1.4 HBR3	7680 x 4320 @30Hz
	DP 1.4 HBR3 w/DSC	7680 x 4320 @60Hz
	DP 2.1 UHBR20	7680 x 4320 @60Hz
	DP 2.1 UHBR20 w/DSC	7680 x 4320 @144Hz
Video doppio	Non supportato dal computer host	
Video triplo	Non supportato dal computer host	

Risoluzioni del monitor supportate

MacBook Pro M1/M2/M3 Pro o Max
MacBook Air/Pro M4 tutte le varianti
MacBook Air M3 (con coperchio chiuso)

	Grafica host	Risoluzione
Video singolo (scegliere un'uscita)	DP 1.4 HBR3	6010 x 3384 @60Hz
	DP 1.4 HBR3 w/DSC	6010 x 3384 @60Hz
Video doppio (scegliere due uscite)	DP 1.4 HBR3	6010 x 3384 @60Hz+
		3840 x 2160 @60Hz
	DP 1.4 HBR3 w/DSC	6010 x 3384 @60Hz+
		3840 x 2160 @60Hz
Video triplo	Non supportato dal computer host	

MacBook Air M1 / M2
1 × flusso DP a 4 corsie

	Grafica host	Risoluzione
Video singolo (scegliere un'uscita)	DP 1.4 HBR3	6010 x 3384 @60Hz
	DP 1.4 HBR3 w/DSC	6010 x 3384 @60Hz
Video doppio	Non supportato dal computer host	
Video triplo	Non supportato dal computer host	

MacBook Intel
2 × flussi DP a 4 corsie

	Grafica host	Risoluzione
Video singolo (scegliere un'uscita)	DP 1.2 HBR2	3840 x 2160 @60Hz
	DP 1.4 HBR3	5120 x 2160 @60Hz
Video doppio	DP 1.2 HBR2	3840 x 2160 @60Hz+
		3840 x 2160 @60Hz
	DP 1.4 HBR3	5120 x 2160 @60Hz+
		3840 x 2160 @60Hz

Host Windows USB-C (MDFP)
1 × flusso DP a 2 corsie

	Grafica host	Risoluzione
Video singolo (scegliere un'uscita)	DP 1.2 HBR2	3840 x 2160 @30Hz
	DP 1.4 HBR3	3840 x 2160 @60Hz
	DP 1.4 HBR3 w/DSC	3840 x 2160 @30Hz
Video doppio	Non supportato dal computer host	
Video triplo	Non supportato dal computer host	

Istruzioni di sicurezza

- Non esporre all'umidità né immergere in liquidi.
- Conservare in un luogo fresco e asciutto. Temperatura di conservazione consigliata: -10°C/14°F – 70°C/158°F; Temperatura di funzionamento: 0°C/32°F – 35°C/95°F.
- Non smontare né tentare di modificare il prodotto in alcun modo.
- Interrompere l'uso e contattare il produttore se il prodotto diventa eccessivamente caldo, emette odore, è deformato o presenta altre anomalie.
- Evitare vibrazioni intense, urti, schiacciamenti durante il trasporto e tenere il prodotto lontano da luce solare intensa e pioggia.
- Smaltire correttamente i prodotti scartati secondo le normative locali.
- Non pulire con sostanze chimiche dannose o detersivi.
- Tenere lontano dalla portata dei bambini sotto i 3 anni per sicurezza.
- Fare attenzione a cadute, urti, abrasioni o impatti.

Informazioni sulla conformità:

- Assicurarsi di collegare il cavo di alimentazione a una presa con connessione di terra.
- L'apparecchiatura è adatta solo per il montaggio a un'altezza ≤ 2 m.
- Quando l'apparecchiatura è collegata a una docking station tramite porta USB-C PD, deve avere un involucro ignifugo.
- Le informazioni di marcatura si trovano nella parte inferiore dell'apparecchio.
- Dichiarazione ErP: Consumo energetico in modalità spenta $< 0,3$ W.

ITALIAN



Dichiarazione di conformità

Fabbricante:	Hyper Products Inc.	Tel.:	1-714-765-5555
Indirizzo:	1211 North Miller Street, Anaheim, CA 92806 USA	Fax:	1-714-765-5599
Importatore:	Targus Europe Ltd.	Internet:	www.targus.com
Indirizzo:	Targus EMEA Account Management Van Hilstraat 19, 5145 RK Waalwijk, NETHERLANDS	Tel.:	+44 (0)20 8831 2000

Con la presente confermiamo che il seguente prodotto denominato HyperDrive Next Thunderbolt 5 Dock (with Power/Adapter, A17-180P4B), Modello N. HD2801, Nome del marchio "HYPER", è conforme a the Low Voltage Directive 2014/35/EU, COMMISSION REGULATION (EU) 2023/826, EMC Directive 2014/30/EU, EU RoHS Directive 2011/65/EU and its amendment Directive (EU) 2015/863.

Per la valutazione relativa alle Direttive indicate sopra, sono stati applicati i seguenti standard:

Low-Voltage Directive: 2014/35/EU

EN IEC 62368-1: 2020+A11:2020

EMC Directive: 2014/30/EU

EN 55032: 2015+A11:2020, Class B

EN IEC 61000-3-2: 2019+A1:2021+A2:2024, Class A

EN 61000-3-3: 2013+A1:2019+A2:2021+AC:2022

EN 55035: 2017+A11:2020

COMMISSION REGULATION (EU) 2023/826

EN 50564:2011

RoHS Directive: 2011/65/EU and its amendment Directive (EU) 2015/863.

EN IEC 63000:2018

Anno di inizio della marcatura CE: 2025

Direttore, Targus - Global Sourcing Group

CF Ngoh

Funzione / Titolo

Nome

12/05/2025/ Hong Kong

Data / Luogo di emissione

Sottoscritto in nome e per conto di Targus

NL-Introductie

De HyperDrive Next Thunderbolt 5 Dock levert professionele prestaties en uitgebreide connectiviteit voor Thunderbolt 4- en 5-laptops. Het ondersteunt tot drie uitgebreide 4K144Hz-schermen of één enkele 8K144Hz-uitgang en biedt 10 veelzijdige poorten, waaronder 2,5Gbps Ethernet, USB-A 10Gbps en 140W USB-C Power Delivery voor snel opladen van laptops. Thunderbolt Share maakt snelle PC-naar-PC-scherm-, bestand- en randapparatuurdeling mogelijk, waardoor samenwerking wordt verbeterd. Deze dock is ontworpen voor omgevingen met hoge prestaties en is gebouwd met een duurzame aluminium behuizing en 75% gerecyclede materialen..

Inhoud van de verpakking

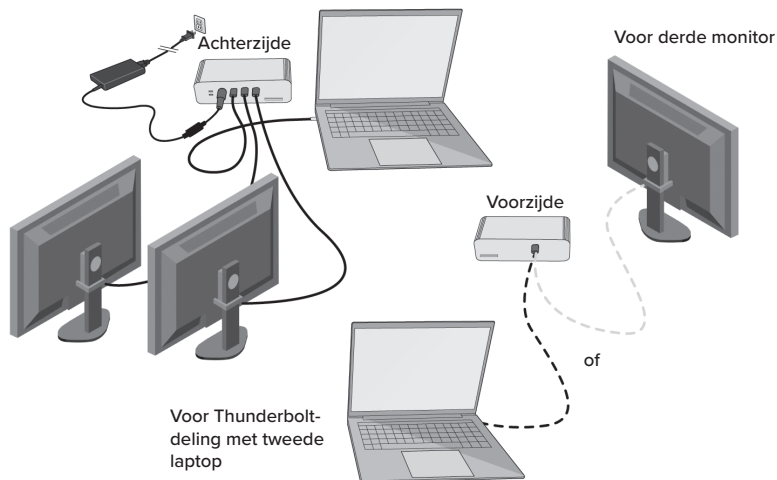
- HD2801GL Thunderbolt 5-dock
- 1 m USB-C Thunderbolt 5-kabel (80Gbps/120Gbps)
- 1 × 180W AC wereldwijde voedingsadapter
- Regionale voedingskabel(s)
- Gebruikershandleiding

Systeemvereisten

Hardware

- Thunderbolt 4 of 5 of andere compatibele USB-C Alternate Mode Windows-host
- macOS 15 Sequoia is vereist voor elke Mac die HD2801 ondersteunt (inclusief enkele Thunderbolt 3 Macs die compatibel zijn met macOS 15).
- 140W opladen vereist een compatibele host die PD3.1 Extended Power Range (EPR) ondersteunt. PD 3.0 Power Delivery tot 100W voor compatibele hosts.

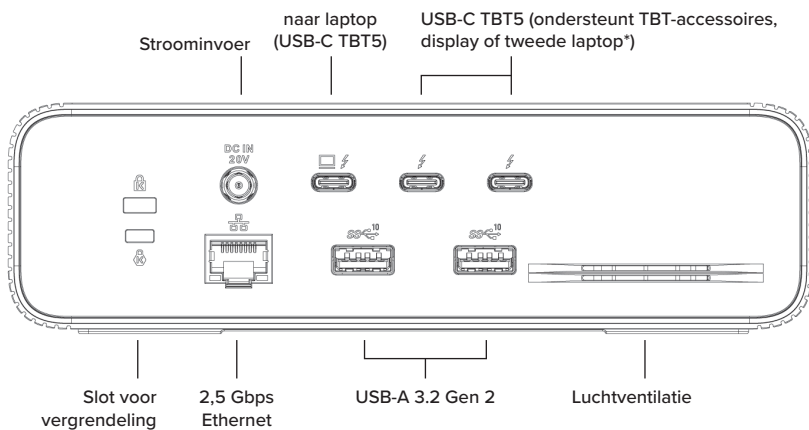
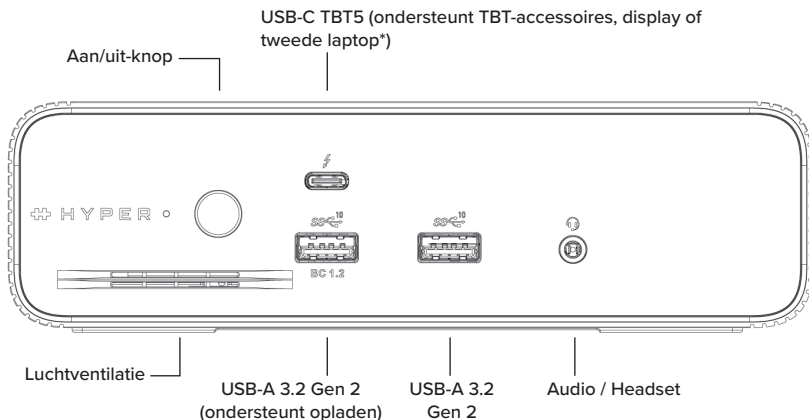
Werkstation Configuratie



Specificatie

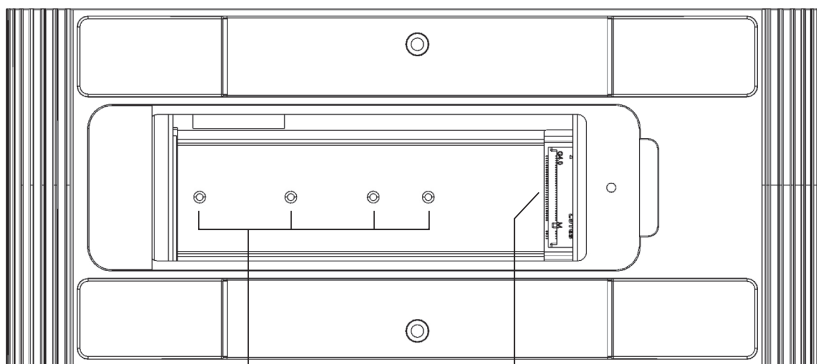
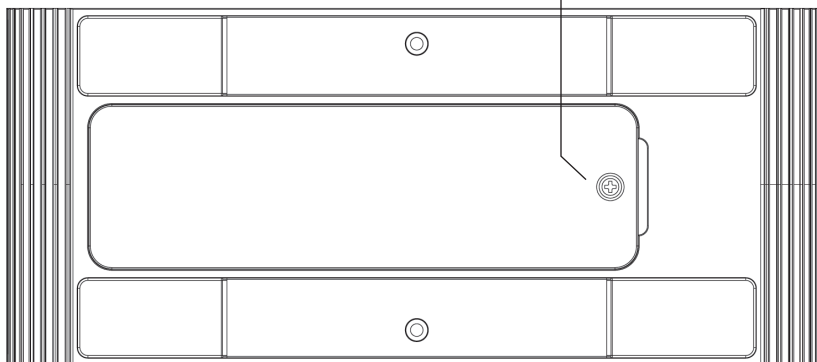
- 1× upstream Thunderbolt 5-poort die 80/120 Gb/s ondersteunt en Power Delivery 3.1 EPR 140 W
- 3× Thunderbolt 5-poorten die 80/120 Gb/s ondersteunen en Power Delivery 3.1 EPR 140 W
- 1× M.2 SSD-slot (2230 / 2242 / 2260 / 2280 type)
 - 4× PCIe 4.0 NVMe SSD in Thunderbolt-modus
 - 2× PCIe 3.0 NVMe SSD in MFDP-modus
- 3× USB-A 10 Gb/s poorten
- 1× USB-A 10 Gb/s poort (ondersteunt BC 1.2)
- 1× RJ45 2,5 Gb/s Ethernet
- 1× 3,5 mm headset-audio poort
- 1× K-beveiligingslot
- 1× K Nano-beveiligingslot

Dockingstationdiagram



*Vereist Thunderbolt Share

Schroef voor het verwijderen van M.2-deksel



Schroefgat om het M.2-
apparaat vast te zetten

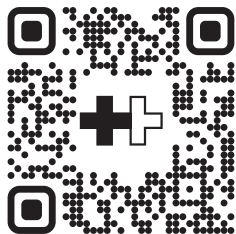
M.2-socket

Installatie van M.2-apparaat

1. Schakel het dockingstation UIT en koppel de stroom los. Koppel de dock los van de hostcomputer en ontkoppel alle downstream-apparaten van de poorten van de dock.
2. Toegang tot M.2-slot – Draai het dock om en verwijder de M.2-dekselschroef met een kruiskopschroevendraaier.
3. Verwijder borgschroef – Haal de kleine M.2-borgschroef uit de socket.
4. Plaats de M.2-drive – Lijn de drive uit met de inkeping van de sleuf, schuif deze onder een hoek erin, druk naar beneden en zet vast met de borgschroef.
5. Deksel opnieuw monteren – Plaats het M.2-deksel terug en draai de schroef vast.
6. Sluit alle downstream-apparaten opnieuw aan op de poorten van de dock, sluit de stroom weer aan, schakel de dock IN en verbind de dock opnieuw met het upstream hostapparaat.

Snelstart-videohandleiding

Scan de QR-code om onze installatievideo te bekijken.



Ondersteunde monitorresoluties

Windows Thunderbolt 5 hosts 3 x DP 4-lane Streams

	Hostgrafische kaart	Resolutie
Enkele video (kies één uitgang)	DP 2.1 UHBR20	7680 x 4320 @60Hz
	DP 2.1 UHBR20 w/DSC	7680 x 4320 @144Hz
Dubbele video (kies twee uitgangen)	DP 2.1 UHBR20	7680 x 4320 @60Hz
	DP 2.1 UHBR20 w/DSC	7680 x 4320 @120Hz
Drievoudige video	DP 2.1 UHBR20	7680 x 4320 @30Hz
	DP 2.1 UHBR20 w/DSC	7680 x 4320 @60Hz

Windows Thunderbolt 4 hosts 2 x DP 4-lane Streams

	Hostgrafische kaart	Resolutie
Enkele video (kies één uitgang)	DP 1.4 HBR3	7680 x 4320 @30Hz
	DP 1.4 HBR3 w/DSC	7680 x 4320 @60Hz
Dubbele video (kies twee uitgangen)	DP 1.4 HBR3	7680 x 4320 @30Hz+
		3840 x 2160 @30Hz
	DP 1.4 HBR3 w/DSC	7680 x 4320 @60Hz+
		3840 x 2160 @60Hz
Drievoudige video	Niet ondersteund door hostmachine	

USB4 hosts 1 x DP 4-lane Stream

	Hostgrafische kaart	Resolutie
Enkele video (kies één uitgang)	DP 1.4 HBR3	7680 x 4320 @30Hz
	DP 1.4 HBR3 w/DSC	7680 x 4320 @60Hz
	DP 2.1 UHBR20	7680 x 4320 @60Hz
	DP 2.1 UHBR20 w/DSC	7680 x 4320 @144Hz
Dubbele video	Niet ondersteund door hostmachine	
Drievoudige video	Niet ondersteund door hostmachine	

Ondersteunde monitorresoluties

MacBook Pro M1/M2/M3 Pro of Max
MacBook Air/Pro M4 alle varianten
MacBook Air M3 (met gesloten deksel)

	Hostgrafische kaart	Resolutie
Enkele video (kies één uitgang)	DP 1.4 HBR3	6010 x 3384 @60Hz
	DP 1.4 HBR3 w/DSC	6010 x 3384 @60Hz
Dubbele video (kies twee uitgangen)	DP 1.4 HBR3	6010 x 3384 @60Hz+
		3840 x 2160 @60Hz
	DP 1.4 HBR3 w/DSC	6010 x 3384 @60Hz+
		3840 x 2160 @60Hz
Drievoudige video	Niet ondersteund door hostmachine	

MacBook Air M1 / M2
1 x DP 4-lane Stream

	Hostgrafische kaart	Resolutie
Enkele video (kies één uitgang)	DP 1.4 HBR3	6010 x 3384 @60Hz
	DP 1.4 HBR3 w/DSC	6010 x 3384 @60Hz
Dubbele video	Niet ondersteund door hostmachine	
Drievoudige video	Niet ondersteund door hostmachine	

Intel MacBook
2 x DP 4-lane Streams

	Hostgrafische kaart	Resolutie
Enkele video (kies één uitgang)	DP 1.2 HBR2	3840 x 2160 @60Hz
	DP 1.4 HBR3	5120 x 2160 @60Hz
Dubbele video	DP 1.2 HBR2	3840 x 2160 @60Hz+
		3840 x 2160 @60Hz
	DP 1.4 HBR3	5120 x 2160 @60Hz+
		3840 x 2160 @60Hz

Windows USB-C (MFDP) hosts
1 x DP 2-lane Stream

	Hostgrafische kaart	Resolutie
Enkele video (kies één uitgang)	DP 1.2 HBR2	3840 x 2160 @30Hz
	DP 1.4 HBR3	3840 x 2160 @60Hz
	DP 1.4 HBR3 w/DSC	3840 x 2160 @30Hz
Dubbele video	Niet ondersteund door hostmachine	
Drievoudige video	Niet ondersteund door hostmachine	

Veiligheidsinstructies

- Niet blootstellen aan vocht of onderdompelen in vloeistof.
- Bewaar op een koele, droge plaats. Aanbevolen opslagtemperatuur: -10°C/14°F tot 70°C/158°F; Bedrijfstemperatuur: 0°C/32°F tot 35°C/95°F.
- Niet demonteren of proberen het product op enigerlei wijze aan te passen of te wijzigen.
- Stop met gebruiken en neem contact op met de fabrikant als het product extreem heet wordt, geur afgeeft, vervormd is of andere afwijkingen vertoont.
- Vermijd sterke trillingen, schokken, druk tijdens transport en houd het product uit de buurt van fel zonlicht en regen.
- Gooi afgedankte producten op de juiste manier weg volgens de lokale voorschriften.
- Niet reinigen met schadelijke chemicaliën of reinigingsmiddelen.
- Buiten bereik van kinderen jonger dan 3 jaar houden voor de veiligheid.
- Wees voorzichtig met vallen, stoten, schuren of impact.

Conformiteitsinformatie:

- Zorg ervoor dat het netsnoer is aangesloten op een geaarde stopcontact.
- De apparatuur is alleen geschikt voor montage op een hoogte ≤ 2 m.
- Wanneer de apparatuur via een USB-C PD-poort op een dockingstation wordt aangesloten, moet deze een brandwerende behuizing hebben.
- De markeringsinformatie bevindt zich aan de onderkant van het apparaat.
- ErP-verklaring: Stroomverbruik in uitgeschakelde modus < 0,3 W.

Dutch



Conformiteitsverklaring

Fabrikant:	Hyper Products Inc.	Tel:	1-714-765-5555
Adres:	1211 North Miller Street, Anaheim, CA 92806 VS	Fax:	1-714-765-5599
Importeur:	Targus Europe Ltd.	Internet:	www.targus.com
Adres:	Targus EMEA Account Management Van Hilststraat 19, 5145 RK Waalwijk, NETHERLANDS	Tel:	+44 (0)20 8831 2000

Hierbij bevestigen wij dat het volgende specifieke product HyperDrive Next Thunderbolt 5 Dock (with Power/Adapter, A17-180P4B), Modelnummer HD2801, merknaam "HYPER", voldoet aan de de Low Voltage Directive 2014/35/EU, COMMISSION REGULATION (EU) 2023/826, EMC Directive 2014/30/EU, EU RoHS Directive 2011/65/EU and its amendment Directive (EU) 2015/863.

Voor de evaluatie betreffende bovenstaande richtlijnen, zijn de volgende standaards toegepast:

Low-Voltage Directive: 2014/35/EU

EN IEC 62368-1: 2020+A11:2020

EMC Directive: 2014/30/EU

EN 55032: 2015+A11:2020, Class B

EN IEC 61000-3-2: 2019+A1:2021+A2:2024, Class A

EN 61000-3-3: 2013+A1:2019+A2:2021+AC:2022

EN 55035: 2017+A11:2020

COMMISSION REGULATION (EU) 2023/826

EN 50564:2011

RoHS Directive: 2011/65/EU and its amendment Directive (EU) 2015/863.

EN IEC 63000:2018

Jaren tot begin E-markering: 2025

Directeur Targus, Global Sourcing Group

Functietitel

CF Ngho

Naam

12/05/2025, Hong Kong

Datum /Uitgifteplaats

A handwritten signature in black ink, appearing to be "CF Ngho".

Getekend voor en namens Targus

NO-Introduksjon

The HyperDrive Next Thunderbolt 5 Dock delivers pro-grade performance and expanded connectivity for Thunderbolt 4 and 5 laptops. It supports up to three extended 4K144Hz displays or a single 8K144Hz output, while offering 10 versatile ports including 2.5Gbps Ethernet, USB-A 10Gbps, and 140W USB-C Power Delivery for fast laptop charging. Thunderbolt Share enables high-speed PC-to-PC screen, file, and peripheral sharing, enhancing collaborative workflows. Designed for high-performance environments, this dock is built with a durable aluminium enclosure and 75% post-consumer recycled materials.

Pakkens innhold

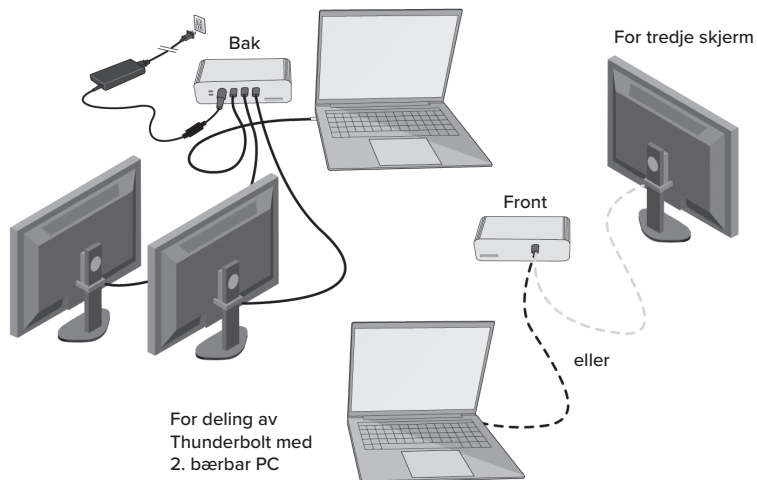
- HD2801GL Thunderbolt 5-dockingstasjon
- 1 m USB-C Thunderbolt 5-kabel (80Gbps/120Gbps)
- 1 × 180W AC universell strømadapter
- Regionale strømkabler
- Brukerveiledning

Systemkrav

Maskinvare

- Thunderbolt 4 eller 5 eller annen kompatibel USB-C Alternate Mode Windows-vert
- macOS 15 Sequoia kreves for enhver Mac som støtter HD2801 (inkludert noen Thunderbolt 3 Mac-er kompatible med macOS 15).
- 140W lading krever kompatibel vert som støtter PD3.1 Extended Power Range (EPR). PD 3.0 Power Delivery opptil 100W for kompatible verter.

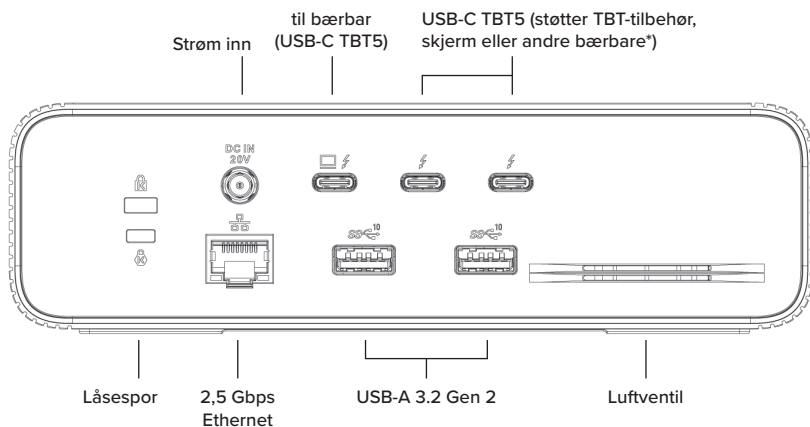
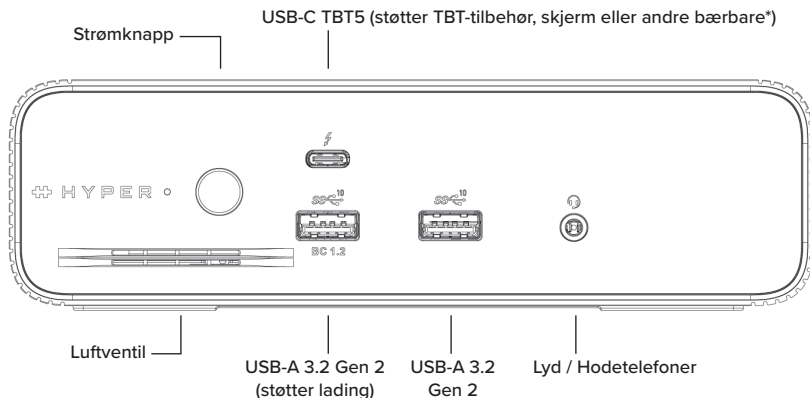
Arbeidsstasjon Oppsett



Spesifikasjon

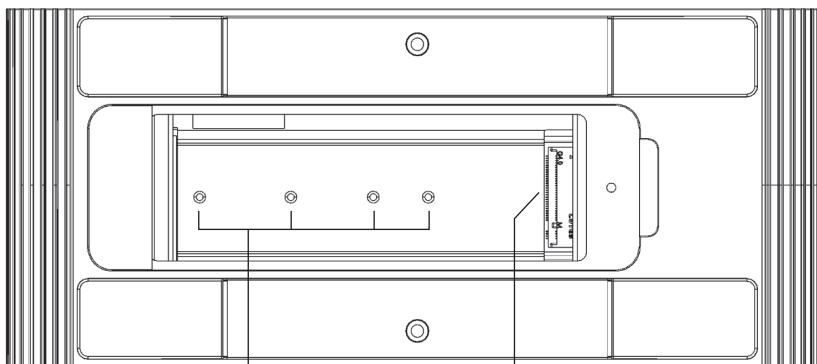
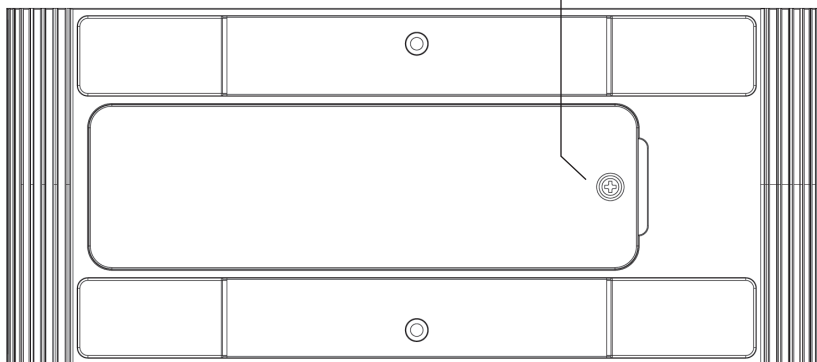
- 1× upstream Thunderbolt 5-port som støtter 80/120 Gb/s og Power Delivery 3.1 EPR 140 W
- 3× Thunderbolt 5-porter som støtter 80/120 Gb/s og Power Delivery 3.1 EPR 140 W
- 1× M.2 SSD-spor (2230 / 2242 / 2260 / 2280 type)
 - 4× PCIe 4.0 NVMe SSD i Thunderbolt-modus
 - 2× PCIe 3.0 NVMe SSD i MFDP-modus
- 3× USB-A 10 Gb/s porter
- 1× USB-A 10 Gb/s port (støtter BC 1.2)
- 1× RJ45 2,5 Gb/s Ethernet
- 1× 3,5 mm hodetelefon lydport
- 1× K sikkerhetslåsespor
- 1× K Nano sikkerhetslåsespor

Dockingstasjonsdiagram



*Krever Thunderbolt Share

Skrue for å fjerne M.2-deksel



Skruer hull for å låse M.2-enheten

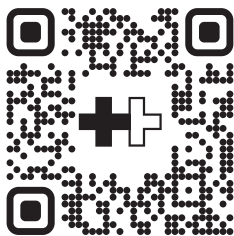
M.2-sokkel

Installasjon av M.2-enhet

1. Slå AV dokkingstasjonen og koble fra strømmen. Koble dokken fra vertsmaskinen og koble fra alle nedstrømsenheter fra dokkens porter.
2. Tilgang til M.2-sporet – Snu dokken og fjern M.2-dekselskruen med en stjerneskrutrekker.
3. Fjern låseskrue – Ta ut den lille M.2-låseskruen inne i sokkelen.
4. Sett inn M.2-stasjonen – Juster stasjonen med hakket i sporet, skyv den inn i en vinkel, trykk ned og fest med låseskruen.
5. Monter dekselet igjen – Sett M.2-dekselet tilbake og stram skruen.
6. Koble alle nedstrømsenheter til dokkens porter igjen, koble til strømmen, slå dokken PÅ og koble dokken til vertsenheten igjen.

Hurtigstart-videoguide

Skann QR-koden for å se vår oppsettsvideo.



Støttede skjermoppløsninger

Windows-baserte Thunderbolt 5-verter

3 × DP 4-lane strømmer

	Vertsgrafikk	Opplesning
Enkeltvideo (velg én utgang)	DP 2.1 UHBR20	7680 x 4320 @60Hz
	DP 2.1 UHBR20 w/DSC	7680 x 4320 @144Hz
Dobbelvideo (velg to utganger)	DP 2.1 UHBR20	7680 x 4320 @60Hz
	DP 2.1 UHBR20 w/DSC	7680 x 4320 @120Hz
Trippelvideo	DP 2.1 UHBR20	7680 x 4320 @30Hz
	DP 2.1 UHBR20 w/DSC	7680 x 4320 @60Hz

Windows-baserte Thunderbolt 4-verter

2 × DP 4-lane strømmer

	Vertsgrafikk	Opplesning
Enkeltvideo (velg én utgang)	DP 1.4 HBR3	7680 x 4320 @30Hz
	DP 1.4 HBR3 w/DSC	7680 x 4320 @60Hz
Dobbelvideo (velg to utganger)	DP 1.4 HBR3	7680 x 4320 @30Hz+
		3840 x 2160 @30Hz
	DP 1.4 HBR3 w/DSC	7680 x 4320 @60Hz+
		3840 x 2160 @60Hz
Trippelvideo	Ikke støttet av vertsmaskinen	

USB4-verter

1 × DP 4-lane strøm

	Vertsgrafikk	Opplesning
Enkeltvideo (velg én utgang)	DP 1.4 HBR3	7680 x 4320 @30Hz
	DP 1.4 HBR3 w/DSC	7680 x 4320 @60Hz
	DP 2.1 UHBR20	7680 x 4320 @60Hz
	DP 2.1 UHBR20 w/DSC	7680 x 4320 @144Hz
Dobbelvideo	Ikke støttet av vertsmaskinen	
Trippelvideo	Ikke støttet av vertsmaskinen	

Støttede skjermoppløsninger

MacBook Pro M1/M2/M3 Pro eller Max

MacBook Air/Pro M4 alle varianter

MacBook Air M3 (med lokket lukket)

	Vertsgrafikk	Oppøsning
Enkeltvideo (velg én utgang)	DP 1.4 HBR3	6010 x 3384 @60Hz
	DP 1.4 HBR3 w/DSC	6010 x 3384 @60Hz
Dobbelvideo (velg to utganger)	DP 1.4 HBR3	6010 x 3384 @60Hz+
		3840 x 2160 @60Hz
	DP 1.4 HBR3 w/DSC	6010 x 3384 @60Hz+
		3840 x 2160 @60Hz
Trippelvideo	Ikke støttet av vertsmaskinen	

MacBook Air M1 / M2

1 × DP 4-lane strøm

	Vertsgrafikk	Oppøsning
Enkeltvideo (velg én utgang)	DP 1.4 HBR3	6010 x 3384 @60Hz
	DP 1.4 HBR3 w/DSC	6010 x 3384 @60Hz
Dobbelvideo	Ikke støttet av vertsmaskinen	
Trippelvideo	Ikke støttet av vertsmaskinen	

Intel-basert MacBook

2 × DP 4-lane strømmer

	Vertsgrafikk	Oppøsning
Enkeltvideo (velg én utgang)	DP 1.2 HBR2	3840 x 2160 @60Hz
	DP 1.4 HBR3	5120 x 2160 @60Hz
Dobbelvideo	DP 1.2 HBR2	3840 x 2160 @60Hz+
		3840 x 2160 @60Hz
	DP 1.4 HBR3	5120 x 2160 @60Hz+
		3840 x 2160 @60Hz

Windows-baserte USB-C (MDFP) verter

1 × DP 2-lane strøm

	Vertsgrafikk	Oppøsning
Enkeltvideo (velg én utgang)	DP 1.2 HBR2	3840 x 2160 @30Hz
	DP 1.4 HBR3	3840 x 2160 @60Hz
	DP 1.4 HBR3 w/DSC	3840 x 2160 @30Hz
Dobbelvideo	Ikke støttet av vertsmaskinen	
Trippelvideo	Ikke støttet av vertsmaskinen	

Sikkerhetsinstruksjoner

- Ikke utsett for fuktighet eller senk ned i væske.
- Oppbevar på et kjølig, tørt sted. Anbefalt lagringstemperatur: -10°C/14°F til 70°C/158°F; Driftstemperatur: 0°C/32°F til 35°C/95°F.
- Ikke demonter eller forsøk å endre produktet på noen måte.
- Slutt å bruke og kontakt produsenten hvis produktet blir svært varmt, avgir lukt, er deformert eller viser andre unormale tegn.
- Unngå kraftige vibrasjoner, støt, trykk under transport, og hold produktet unna sterkt sollys og regn.
- Kast kasserte produkter i henhold til lokale forskrifter.
- Ikke rengjør med skadelige kjemikalier eller rengjøringsmidler.
- Hold unna barn under 3 år av sikkerhetsgrunner.
- Vær forsiktig med fall, støt, slitasje eller slag.

Samsvarsinformasjon:

- Sørg for å koble strømkabelen til en jordet stikkontakt.
- Utstyret er kun egnet for montering i høyder ≤ 2 m.
- Når utstyret kobles til en dokkingstasjon via USB-C PD-port, må det ha brannsikkert kabinett.
- Merkinginformasjon finnes på undersiden av apparatet.
- ErP-erklæring: Strømforbruk i av-modus $< 0,3$ W.

NORWEGIAN



Samsvarserklæring

Produsent:	Hyper Products Inc.	Tlf.:	1-714-765-5555
Adresse :	1211 North Miller Street, Anaheim, CA 92806 USA	Faks:	1-714-765-5599
Importør:	Targus Europe Ltd.	Internett:	www.targus.com
Adresse:	Targus EMEA Account Management Van Hilststraat 19, 5145 RK Waalwijk, NETHERLANDS	Tlf.:	+44 (0)20 8831 2000

Herved bekrefter vi at følgende angitt produkt HyperDrive Next Thunderbolt 5 Dock(with Power/Adapter, A17-180P4B), modellnr. HD2801, merkenavn "HYPER", the Low Voltage Directive 2014/35/EU, COMMISSION REGULATION (EU) 2023/826, EMC Directive 2014/30/EU, EU RoHS Directive 2011/65/EU and its amendment Directive (EU) 2015/863.

Ved evalueringen angående direktivene ovenfor, ble følgende standarder benyttet:

Low-Voltage Directive: 2014/35/EU

EN IEC 62368-1: 2020+A11:2020

EMC Directive: 2014/30/EU

EN 55032: 2015+A11:2020, Class B

EN IEC 61000-3-2: 2019+A1:2021+A2:2024, Class A

EN 61000-3-3: 2013+A1:2019+A2:2021+AC:2022

EN 55035: 2017+A11:2020

COMMISSION REGULATION (EU) 2023/826

EN 50564:2011

RoHS Directive: 2011/65/EU and its amendment Directive (EU) 2015/863.

EN IEC 63000:2018

Året for start av CE-merking: 2025

Director, Targus - Global Sourcing Group

Yrkestittel

CF Ngoh

Navn

12/05/2025 Hong Kong

Dato

Utstedelsessted

Underskrevet for og på vegne av Targus

PL-Wprowadzenie

HyperDrive Next Thunderbolt 5 Dock zapewnia profesjonalną wydajność i rozszerzoną łączność dla laptopów Thunderbolt 4 i 5. Obsługuje do trzech rozszerzonych ekranów 4K144Hz lub jeden wyjściowy 8K144Hz, oferując 10 wszechstronnych portów, w tym Ethernet 2,5Gbps, USB-A 10Gbps oraz 140W USB-C Power Delivery do szybkiego ładowania laptopa. Funkcja Thunderbolt Share umożliwia szybkie udostępnianie ekranu, plików i urządzeń peryferyjnych między komputerami, poprawiając współpracę. Stacja dokująca została zaprojektowana do środowisk o wysokiej wydajności i wykonana z trwałej aluminiowej obudowy oraz w 75% z materiałów pochodzących z recyklingu..

Zawartość opakowania

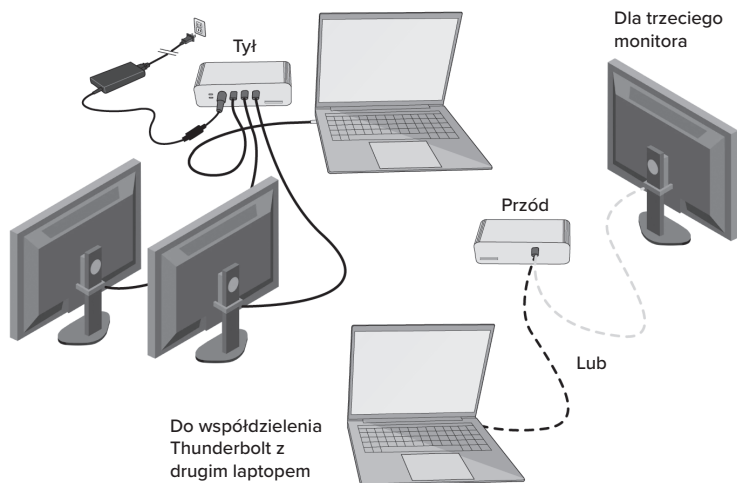
- Stacja dokująca Thunderbolt 5 HD2801GL
- Kabel USB-C Thunderbolt 5 o długości 1 m (80Gbps/120Gbps)
- 1 × Uniwersalny zasilacz AC 180W
- Regionalne przewody zasilające
- Instrukcja obsługi

Wymagania systemowe

Sprzęt

- Thunderbolt 4 lub 5 albo inny kompatybilny tryb USB-C Alternate Mode dla Windows
- macOS 15 Sequoia jest wymagany dla każdego Maca obsługującego HD2801 (w tym niektóre Mac z Thunderbolt 3 kompatybilne z macOS 15).
- adowanie 140W wymaga kompatybilnego hosta obsługującego PD3.1 Extended Power Range (EPR). PD 3.0 Power Delivery do 100W dla kompatybilnych urządzeń..

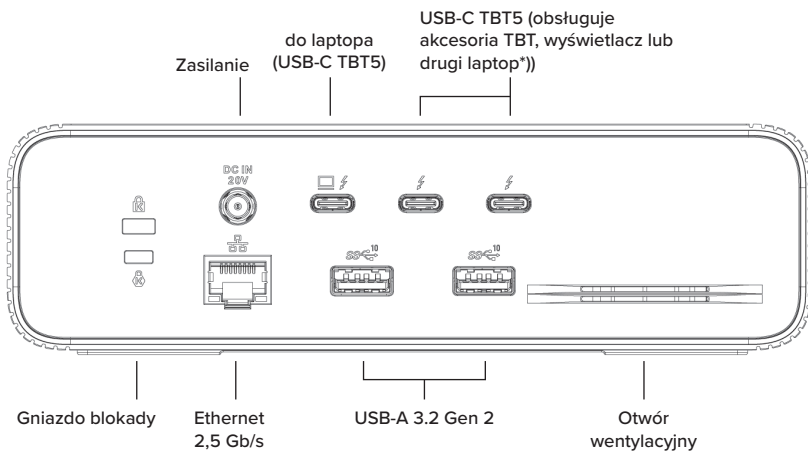
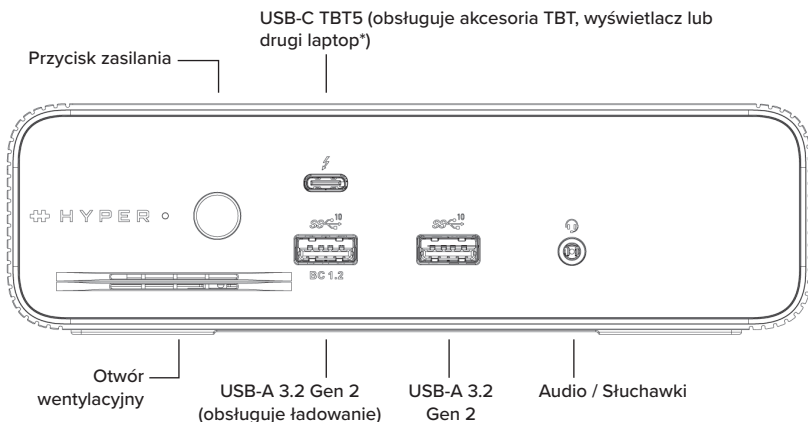
Konfiguracja Stacji Roboczej



Specyfikacja

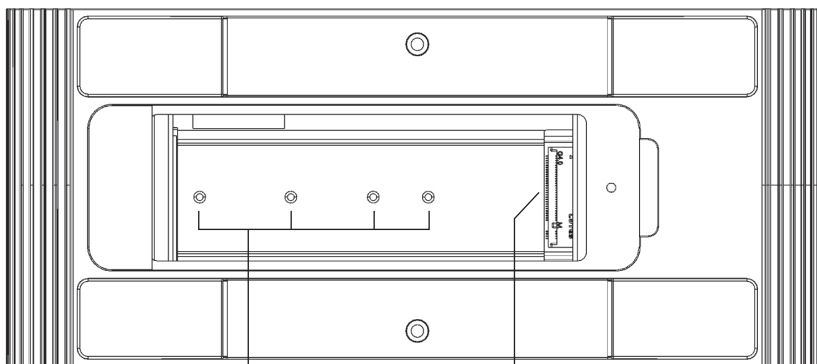
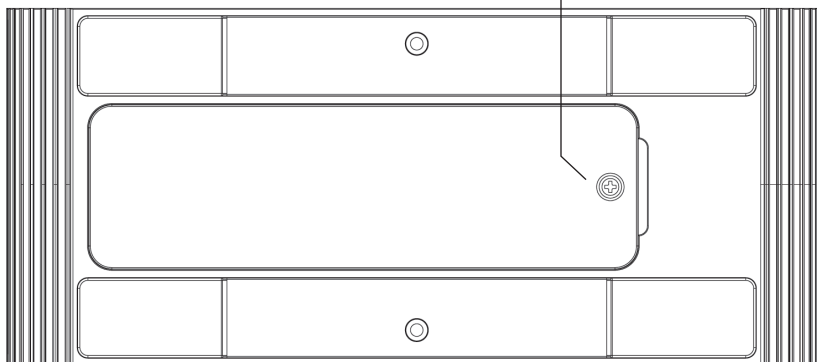
- 1× port Thunderbolt 5 upstream obsługujący prędkości 80/120 Gb/s i Power Delivery 3.1 EPR 140 W
- 3× porty Thunderbolt 5 obsługujące prędkości 80/120 Gb/s i Power Delivery 3.1 EPR 140 W
- 1× gniazdo M.2 SSD (2230 / 2242 / 2260 / 2280 typ)
 - 4× dysk SSD NVMe PCIe 4.0 w trybie Thunderbolt
 - 2× dysk SSD NVMe PCIe 3.0 w trybie MFDP
- 3× porty USB-A 10 Gb/s
- 1× port USB-A 10 Gb/s (obsługuje BC 1.2)
- 1× RJ45 Ethernet 2,5 Gb/s
- 1× port audio słuchawek 3,5 mm
- 1× gniazdo blokady bezpieczeństwa K
- 1× gniazdo blokady bezpieczeństwa K Nano

Schemat stacji dokującej



*Wymaga Thunderbolt Share

Śruba do zdjęcia pokrywy M.2



Otwór na śrubę do
zablokowania urządzenia M.2

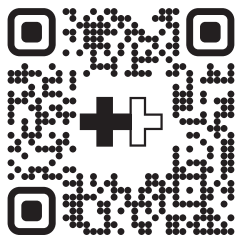
Gniazdo M.2

Instalacja urządzenia M.2

1. Wyłącz stację dokującą i odłącz zasilanie. Odłącz stację od komputera hosta i odłącz wszystkie urządzenia podrzędne od portów stacji.
2. Dostęp do gniazda M.2 – Odwróć stację i usuń śrubę pokrywy M.2 za pomocą śrubokręta krzyżakowego.
3. Usuń śrubę blokującą – Wyjmij małą śrubę blokującą M.2 wewnątrz gniazda.
4. Włóż dysk M.2 – Wyrównaj dysk z wycięciem w gnieździe, wsuwaj pod kątem, następnie dociśnij i zabezpiecz śrubą blokującą.
5. Załóż pokrywę – Załóż pokrywę M.2 i dokręć śrubę.
6. Podłącz ponownie wszystkie urządzenia podrzędne do portów stacji, podłącz zasilanie, włącz stację i ponownie podłącz ją do urządzenia hosta.

Szybki przewodnik wideo

Zeskanuj kod QR, aby obejrzeć nasz film instruktażowy..



Obsługiwane rozdzielczości monitorów

Hosty Windows Thunderbolt 5

3 × strumienie DP 4-lane

	Grafika hosta	Rozdzielczość
Pojedyncze wideo (wybierz jedno wyjście)	DP 2.1 UHBR20	7680 x 4320 @60Hz
	DP 2.1 UHBR20 w/DSC	7680 x 4320 @144Hz
Podwójne wideo (wybierz dwa wyjścia)	DP 2.1 UHBR20	7680 x 4320 @60Hz
	DP 2.1 UHBR20 w/DSC	7680 x 4320 @120Hz
Potrójne wideo	DP 2.1 UHBR20	7680 x 4320 @30Hz
	DP 2.1 UHBR20 w/DSC	7680 x 4320 @60Hz

Hosty Windows Thunderbolt 4

2 × strumienie DP 4-lane

	Grafika hosta	Rozdzielczość
Pojedyncze wideo (wybierz jedno wyjście)	DP 1.4 HBR3	7680 x 4320 @30Hz
	DP 1.4 HBR3 w/DSC	7680 x 4320 @60Hz
Podwójne wideo (wybierz dwa wyjścia)	DP 1.4 HBR3	7680 x 4320 @30Hz+
		3840 x 2160 @30Hz
	DP 1.4 HBR3 w/DSC	7680 x 4320 @60Hz+
		3840 x 2160 @60Hz
Potrójne wideo	Nieobsługiwane przez komputer hosta	

Hosty USB4

1 × strumień DP 4-lane

	Grafika hosta	Rozdzielczość
Pojedyncze wideo (wybierz jedno wyjście)	DP 1.4 HBR3	7680 x 4320 @30Hz
	DP 1.4 HBR3 w/DSC	7680 x 4320 @60Hz
	DP 2.1 UHBR20	7680 x 4320 @60Hz
	DP 2.1 UHBR20 w/DSC	7680 x 4320 @144Hz
Podwójne wideo	Nieobsługiwane przez komputer hosta	
Potrójne wideo	Nieobsługiwane przez komputer hosta	

Obsługiwane rozdzielczości monitorów

MacBook Pro M1/M2/M3 Pro lub Max
MacBook Air/Pro M4 wszystkie warianty
MacBook Air M3 (z zamkniętą pokrywą)

	Grafika hosta	Rozdzielczość
Pojedyncze wideo (wybierz jedno wyjście)	DP 1.4 HBR3	6010 x 3384 @60Hz
	DP 1.4 HBR3 w/DSC	6010 x 3384 @60Hz
Podwójne wideo (wybierz dwa wyjścia)	DP 1.4 HBR3	6010 x 3384 @60Hz+
		3840 x 2160 @60Hz
	DP 1.4 HBR3 w/DSC	6010 x 3384 @60Hz+
		3840 x 2160 @60Hz
Potrójne wideo	Nieobsługiwane przez komputer hosta	

MacBook Air M1 / M2
1 × strumień DP 4-lane

	Grafika hosta	Rozdzielczość
Pojedyncze wideo (wybierz jedno wyjście)	DP 1.4 HBR3	6010 x 3384 @60Hz
	DP 1.4 HBR3 w/DSC	6010 x 3384 @60Hz
Podwójne wideo	Nieobsługiwane przez komputer hosta	
Potrójne wideo	Nieobsługiwane przez komputer hosta	

MacBook z procesorem Intel
2 × strumienie DP 4-lane

	Grafika hosta	Rozdzielczość
Pojedyncze wideo (wybierz jedno wyjście)	DP 1.2 HBR2	3840 x 2160 @60Hz
	DP 1.4 HBR3	5120 x 2160 @60Hz
Podwójne wideo	DP 1.2 HBR2	3840 x 2160 @60Hz+
		3840 x 2160 @60Hz
	DP 1.4 HBR3	5120 x 2160 @60Hz+
		3840 x 2160 @60Hz

Hosty Windows USB-C (MFDP)
1 × strumień DP 2-lane

	Grafika hosta	Rozdzielczość
Pojedyncze wideo (wybierz jedno wyjście)	DP 1.2 HBR2	3840 x 2160 @30Hz
	DP 1.4 HBR3	3840 x 2160 @60Hz
	DP 1.4 HBR3 w/DSC	3840 x 2160 @30Hz
Podwójne wideo	Nieobsługiwane przez komputer hosta	
Potrójne wideo	Nieobsługiwane przez komputer hosta	

Instrukcje bezpieczeństwa

- Nie narażaj na wilgoć ani nie zanurzaj w cieczy.
- Przechowuj w chłodnym, suchym miejscu. Zalecana temperatura przechowywania: -10°C/14°F do 70°C/158°F; Temperatura pracy: 0°C/32°F do 35°C/95°F.
- Nie demontuj ani nie próbuj modyfikować produktu w jakikolwiek sposób.
- Przestań używać i skontaktuj się z producentem, jeśli produkt jest nadmiernie gorący, wydziela zapach, jest zdeformowany lub występują inne nieprawidłowości.
- Unikaj silnych wibracji, uderzeń, zgniatania podczas transportu i chroń produkt przed intensywnym światłem słonecznym i deszczem.
- Utylizuj zużyte produkty zgodnie z lokalnymi przepisami.
- Nie czyść szkodliwymi chemikaliami ani detergentami.
- Trzymaj z dala od dzieci poniżej 3 lat.
- Uważaj na upadki, uderzenia, otarcia lub wstrząsy.

Informacje o zgodności:

- Podłącz przewód zasilający do gniazdka z uziemieniem.
- Urządzenie nadaje się tylko do montażu na wysokości ≤ 2 m.
- Gdy urządzenie jest podłączone do stacji dokującej przez port USB-C PD, musi mieć obudowę ognioodporną.
- Informacje o oznaczeniu znajdują się na spodzie urządzenia.
- Deklaracja ErP: Zużycie energii w trybie wyłączonym $< 0,3$ W.

POLISH



Deklaracja zgodności

Producent:	Hyper Products Inc.	Tel.:	1-714-765-5555
Adres:	1211 North Miller Street, Anaheim, CA 92806 USA	Faks:	1-714-765-5599
Importer:	Targus Europe Ltd.	Strona	www.targus.com
Adres:	Targus EMEA Account Management Van Hilststraat 19, 5145 RK Waalwijk, NETHERLANDS	www:	+44 (0)20 8831 2000
		Tel.:	

Niniejszym potwierdzamy zgodność wyrobu o nazwie HyperDrive Next Thunderbolt 5 Dock(with Power/Adapter, A17-180P4B), nr modelu HD2801, pod marką „HYPER”, z wymaganiami następujących przepisów: the Low Voltage Directive 2014/35/EU, COMMISSION REGULATION (EU) 2023/826, EMC Directive 2014/30/EU, EU RoHS Directive 2011/65/EU and its amendment Directive (EU) 2015/863.

Oceny w zakresie powyższych Dyrektyw dokonano przy zastosowaniu następujących norm:

Low-Voltage Directive: 2014/35/EU

EN IEC 62368-1: 2020+A11:2020

EMC Directive: 2014/30/EU

EN 55032: 2015+A11:2020, Class B

EN IEC 61000-3-2: 2019+A1:2021+A2:2024, Class A

EN 61000-3-3: 2013+A1:2019+A2:2021+AC:2022

EN 55035: 2017+A11:2020

COMMISSION REGULATION (EU) 2023/826

EN 50564:2011

RoHS Directive: 2011/65/EU and its amendment Directive (EU) 2015/863.

EN IEC 63000:2018

Rok rozpoczęcia znakowania CE: 2025

Dyrektor, Targus - Global Sourcing Group

Stanowisko

CF Ngoh

Imię i nazwisko

12/05/2025/ Hong Kong

Data / Miejsce wydania:

A handwritten signature in black ink, appearing to read "CF Ngoh".

Podpisano w imieniu firmy Targus

PT-Introdução

A HyperDrive Next Thunderbolt 5 Dock oferece desempenho profissional e conectividade expandida para laptops Thunderbolt 4 e 5. Suporta até três monitores estendidos 4K144Hz ou uma saída única 8K144Hz, oferecendo 10 portas versáteis, incluindo Ethernet 2,5Gbps, USB-A 10Gbps e USB-C Power Delivery de 140W para carregamento rápido do laptop. O Thunderbolt Share permite compartilhamento rápido de tela, arquivos e periféricos entre PCs, melhorando fluxos de trabalho colaborativos. Projetada para ambientes de alto desempenho, esta dock é construída com um gabinete de alumínio durável e 75% de materiais reciclados pós-consumo.

Conteúdo da embalagem

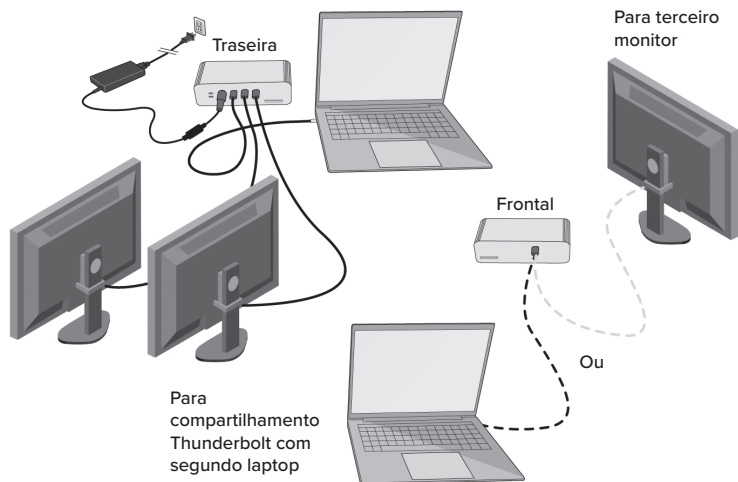
- Dock Thunderbolt 5 HD2801GL
- Cabo USB-C Thunderbolt 5 de 1 m (80Gbps/120Gbps)
- 1 × Adaptador de energia AC universal de 180W
- Cabos de alimentação regionais
- Guia do usuário

Requisitos do sistema

Hardware

- Thunderbolt 4 ou 5 ou outro host Windows compatível com USB-C Alternate Mode
- macOS 15 Sequoia é necessário para qualquer Mac que suporte HD2801 (incluindo alguns Mac Thunderbolt 3 compatíveis com macOS 15).
- Carregamento de 140W requer host compatível que suporte PD3.1 Extended Power Range (EPR). PD 3.0 Power Delivery até 100W para hosts compatíveis.

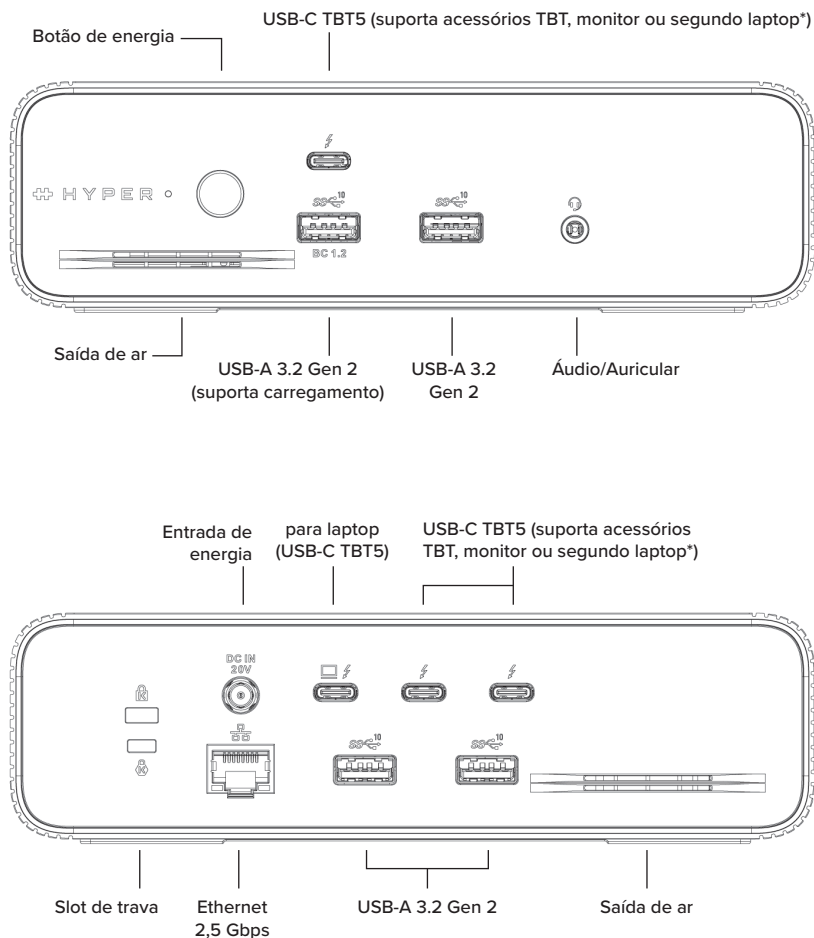
Configuração da Estação de Trabalho



Especificações

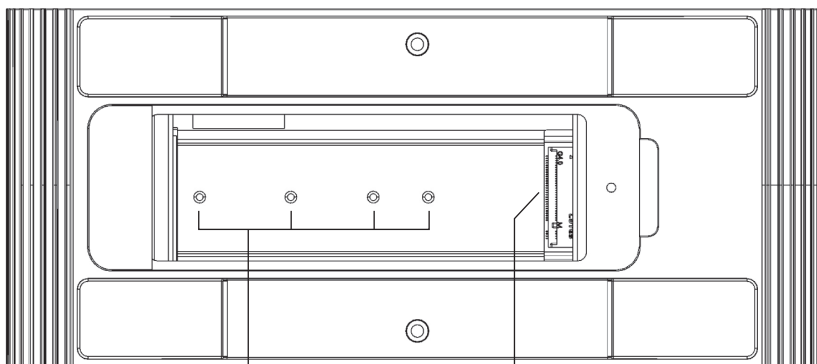
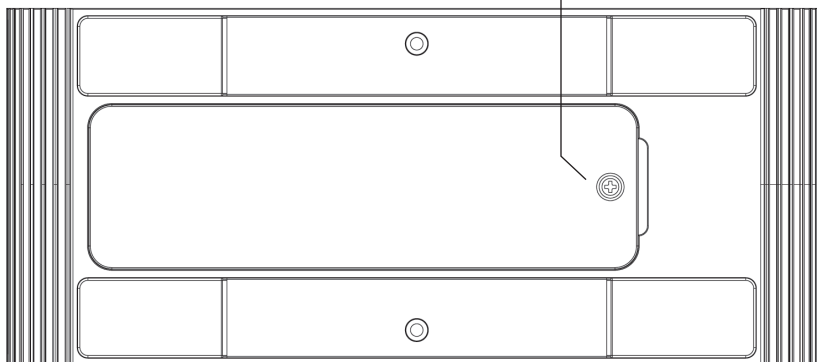
- 1× porta Thunderbolt 5 upstream que suporta velocidades de 80/120 Gb/s e Power Delivery 3.1 EPR 140 W
- 3× portas Thunderbolt 5 que suportam velocidades de 80/120 Gb/s e Power Delivery 3.1 EPR 140 W
- 1× slot M.2 SSD (2230 / 2242 / 2260 / 2280 tipo)
 - 4× SSD NVMe PCIe 4.0 em modo Thunderbolt
 - 2× SSD NVMe PCIe 3.0 em modo MFDP
- 3× portas USB-A 10 Gb/s
- 1× porta USB-A 10 Gb/s (suporta BC 1.2)
- 1× RJ45 Ethernet 2,5 Gb/s
- 1× porta de áudio para headset 3,5 mm
- 1× slot de trava de segurança K
- 1× slot de trava de segurança K Nano

Diagrama da estação de acoplamento



*Requer Thunderbolt Share

Parafuso para remover a tampa M.2



Abertura do parafuso para
travar o dispositivo M.2

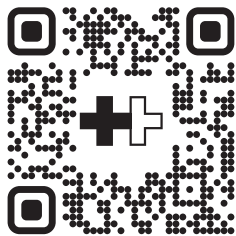
Soquete M.2

Instalação do dispositivo M.2

1. Desligue a estação de acoplamento e desconecte a alimentação. Desconecte o dock do dispositivo host e desconecte todos os dispositivos downstream das portas do dock.
2. Acessar o slot M.2 – Vire a base e remova o parafuso da tampa M.2 com uma chave Phillips.
3. Remover parafuso de travamento – Retire o pequeno parafuso de travamento M.2 dentro do soquete.
4. Inserir a unidade M.2 – Alinhe a unidade com a fenda, deslize-a em ângulo, pressione para baixo e fixe com o parafuso de travamento.
5. Reinstalar a tampa – Recoloque a tampa M.2 e aperte o parafuso.
6. Reconecte todos os dispositivos downstream às portas do dock, reconecte a alimentação, ligue o dock e reconecte o dock ao dispositivo host upstream.

Guia de vídeo de início rápido

Digitalize o código QR para assistir ao nosso vídeo de configuração.



Resoluções de monitor suportadas

Hosts Windows Thunderbolt 5

3 × fluxos DP de 4 pistas

	Gráficos do host	Resolução
Vídeo único (escolha uma saída)	DP 2.1 UHBR20	7680 x 4320 @60Hz
	DP 2.1 UHBR20 w/DSC	7680 x 4320 @144Hz
Vídeo duplo (escolha duas saídas)	DP 2.1 UHBR20	7680 x 4320 @60Hz
	DP 2.1 UHBR20 w/DSC	7680 x 4320 @120Hz
Vídeo triplo	DP 2.1 UHBR20	7680 x 4320 @30Hz
	DP 2.1 UHBR20 w/DSC	7680 x 4320 @60Hz

Hosts Windows Thunderbolt 4

2 × fluxos DP de 4 pistas

	Gráficos do host	Resolução
Vídeo único (escolha uma saída)	DP 1.4 HBR3	7680 x 4320 @30Hz
	DP 1.4 HBR3 w/DSC	7680 x 4320 @60Hz
Vídeo duplo (escolha duas saídas)	DP 1.4 HBR3	7680 x 4320 @30Hz+
		3840 x 2160 @30Hz
	DP 1.4 HBR3 w/DSC	7680 x 4320 @60Hz+
		3840 x 2160 @60Hz
Vídeo triplo	Não suportado pela máquina host	

Hosts USB4

1 × fluxo DP de 4 pistas

	Gráficos do host	Resolução
Vídeo único (escolha uma saída)	DP 1.4 HBR3	7680 x 4320 @30Hz
	DP 1.4 HBR3 w/DSC	7680 x 4320 @60Hz
	DP 2.1 UHBR20	7680 x 4320 @60Hz
	DP 2.1 UHBR20 w/DSC	7680 x 4320 @144Hz
Vídeo duplo	Não suportado pela máquina host	
Vídeo triplo	Não suportado pela máquina host	

Resoluções de monitor suportadas

MacBook Pro M1/M2/M3 Pro ou Max
MacBook Air/Pro M4 todas as variantes
MacBook Air M3 (com tampa fechada)

	Gráficos do host	Resolução
Vídeo único (escolha uma saída)	DP 1.4 HBR3	6010 x 3384 @60Hz
	DP 1.4 HBR3 w/DSC	6010 x 3384 @60Hz
Vídeo duplo (escolha duas saídas)	DP 1.4 HBR3	6010 x 3384 @60Hz+
		3840 x 2160 @60Hz
	DP 1.4 HBR3 w/DSC	6010 x 3384 @60Hz+
		3840 x 2160 @60Hz
Vídeo triplo	Não suportado pela máquina host	

MacBook Air M1 / M2
1 × fluxo DP de 4 pistas

	Gráficos do host	Resolução
Vídeo único (escolha uma saída)	DP 1.4 HBR3	6010 x 3384 @60Hz
	DP 1.4 HBR3 w/DSC	6010 x 3384 @60Hz
Vídeo duplo	Não suportado pela máquina host	
Vídeo triplo	Não suportado pela máquina host	

MacBook Intel
2 × fluxos DP de 4 pistas

	Gráficos do host	Resolução
Vídeo único (escolha uma saída)	DP 1.2 HBR2	3840 x 2160 @60Hz
	DP 1.4 HBR3	5120 x 2160 @60Hz
Vídeo triplo	DP 1.2 HBR2	3840 x 2160 @60Hz+
		3840 x 2160 @60Hz
	DP 1.4 HBR3	5120 x 2160 @60Hz+
		3840 x 2160 @60Hz

Hosts Windows USB-C (MFDP)
1 × fluxo DP de 2 pistas

	Gráficos do host	Resolução
Vídeo único (escolha uma saída)	DP 1.2 HBR2	3840 x 2160 @30Hz
	DP 1.4 HBR3	3840 x 2160 @60Hz
	DP 1.4 HBR3 w/DSC	3840 x 2160 @30Hz
Vídeo duplo	Não suportado pela máquina host	
Vídeo triplo	Não suportado pela máquina host	

Instruções de segurança

- Não exponha à umidade nem submerja em líquido.
- Armazene em local fresco e seco. Temperatura recomendada de armazenamento: -10°C/14°F a 70°C/158°F; Temperatura de operação: 0°C/32°F a 35°C/95°F.
- Não desmonte nem tente modificar o produto de qualquer forma.
- Pare de usar e contate o fabricante se o produto estiver excessivamente quente, emitir odor, estiver deformado ou apresentar outras anomalias.
- Evite vibrações fortes, impactos, pressão durante o transporte e mantenha o produto longe de luz solar intensa e chuva.
- Descarte produtos de acordo com as regulamentações locais.
- Não limpe com produtos químicos nocivos ou detergentes.
- Mantenha fora do alcance de crianças menores de 3 anos.
- Tenha cuidado com quedas, choques, abrasões ou impactos.

Informações de conformidade:

- Certifique-se de conectar o cabo de alimentação a uma tomada com aterramento.
- O equipamento é adequado apenas para montagem em alturas ≤ 2 m.
- Quando conectado à estação de acoplamento via porta USB-C PD, o equipamento deve ter invólucro à prova de fogo.
- As informações de marcação estão localizadas na parte inferior do aparelho.
- Declaração ErP: Consumo de energia em modo desligado $< 0,3$ W.

PORTUGUESE



Declaração de conformidade

Fabricante:	Hyper Products Inc.	Tel:	1-714-765-5555
Morada:	1211 North Miller Street, Anaheim, CA 92806 USA	Fax:	1-714-765-5599
Importador:	Targus Europe Ltd.	Internet:	www.targus.com
Morada:	Targus EMEA Account Management Van Hilststraat 19, 5145 RK Waalwijk, NETHERLANDS	Tel:	+44 (0)20 8831 2000

Vimos por este meio confirmar que o produto com a designação HyperDrive Next Thunderbolt 5 Dock(with Power/Adapter, A17-180P4B), n.º de modelo HD2801, da marca "HYPER", está em conformidade com a the Low Voltage Directive 2014/35/EU, COMMISSION REGULATION (EU) 2023/826, EMC Directive 2014/30/EU, EU RoHS Directive 2011/65/EU and its amendment Directive (EU) 2015/863.

Na avaliação respeitante às Diretivas atrás referidas foram aplicadas as seguintes normas:

Low-Voltage Directive: 2014/35/EU

EN IEC 62368-1: 2020+A11:2020

EMC Directive: 2014/30/EU

EN 55032: 2015+A11:2020, Class B

EN IEC 61000-3-2: 2019+A1:2021+A2:2024, Class A

EN 61000-3-3: 2013+A1:2019+A2:2021+AC:2022

EN 55035: 2017+A11:2020

COMMISSION REGULATION (EU) 2023/826

EN 50564:2011

RoHS Directive: 2011/65/EU and its amendment Directive (EU) 2015/863.

EN IEC 63000:2018

Ano de início da marcação CE: 2025

Administrador, Targus - Global Sourcing Group

CF Ngoh

Cargo

Nome

12/05/2025/ Hong Kong

Data / Local de emissão

A handwritten signature in black ink, appearing to be "CF Ngoh".

Assinado em representação da Targus

RU-Введение

HyperDrive Next Thunderbolt 5 Dock обеспечивает профессиональную производительность и расширенную подключаемость для ноутбуков с Thunderbolt 4 и 5. Поддерживает до трёх расширенных дисплеев 4K144Hz или один выход 8K144Hz, предлагая 10 универсальных портов, включая Ethernet 2,5Gbps, USB-A 10Gbps и USB-C Power Delivery 140W для быстрой зарядки ноутбука. Thunderbolt Share позволяет быстро обмениваться экраном, файлами и периферийными устройствами между ПК, улучшая совместную работу. Док-станция разработана для высокопроизводительных сред и выполнена из прочного алюминиевого корпуса и на 75% из переработанных материалов.

Содержимое упаковки

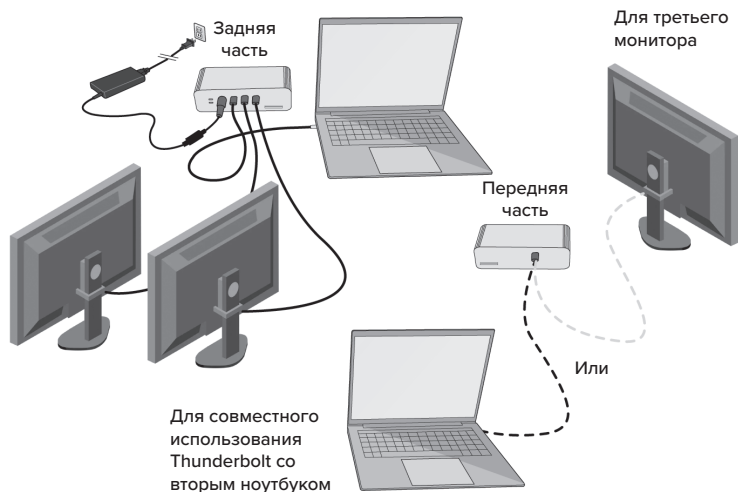
- Док-станция Thunderbolt 5 HD2801GL
- Кабель USB-C Thunderbolt 5 длиной 1 м (80Gbps/120Gbps)
- 1 × Универсальный сетевой адаптер AC мощностью 180 Вт
- Региональные сетевые кабели
- Руководство пользователя

Системные требования

Аппаратное обеспечение

- Thunderbolt 4 или 5 либо другой совместимый режим USB-C Alternate Mode для Windows
- macOS 15 Sequoia требуется для любого Mac, поддерживающего HD2801 (включая некоторые Mac с Thunderbolt 3, совместимые с macOS 15).
- Зарядка 140 Вт требует совместимого устройства, поддерживающего PD3.1 Extended Power Range (EPR). PD 3.0 Power Delivery до 100 Вт для совместимых устройств.

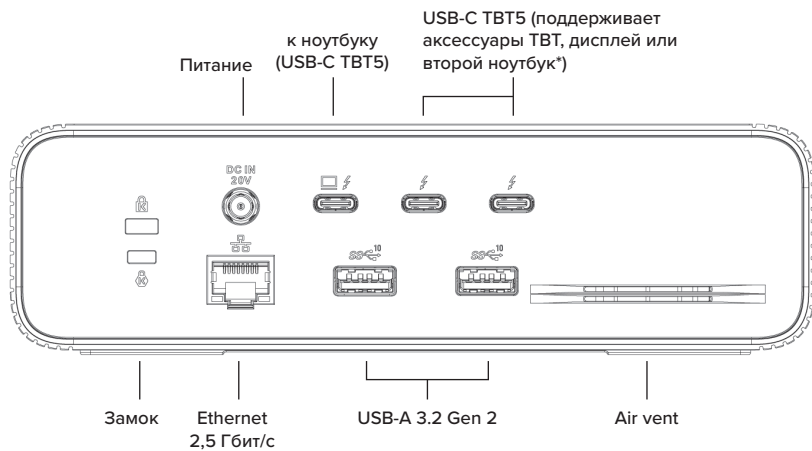
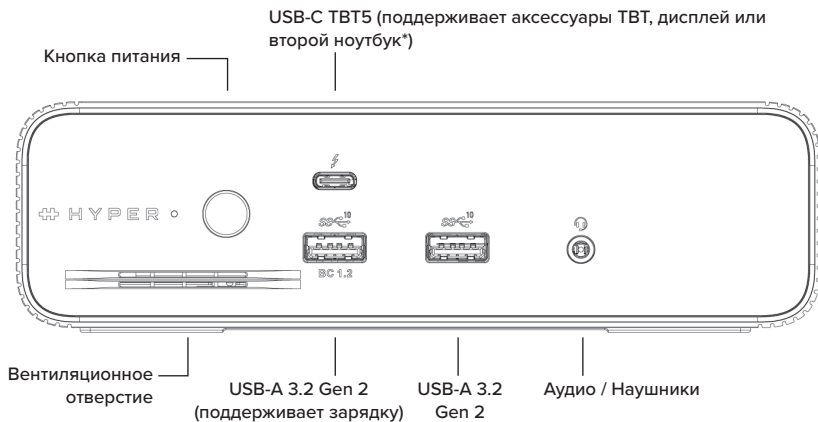
Настройка Рабочей Станции



Характеристики

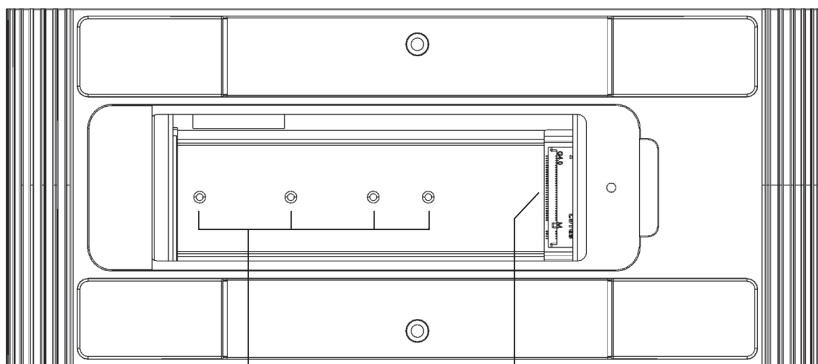
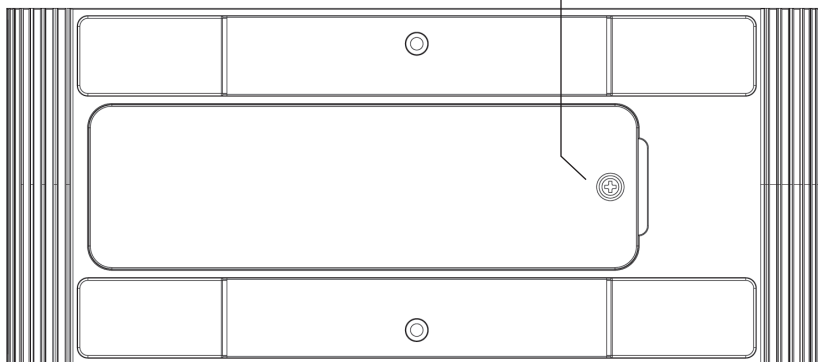
- 1× порт Thunderbolt 5 upstream, поддерживающий скорость 80/120 Гбит/с и Power Delivery 3.1 EPR 140 Вт
- 3× порта Thunderbolt 5, поддерживающие скорость 80/120 Гбит/с и Power Delivery 3.1 EPR 140 Вт
- 1× слот M.2 SSD (тип 2230 / 2242 / 2260 / 2280)
 - 4× NVMe SSD PCIe 4.0 в режиме Thunderbolt
 - 2× NVMe SSD PCIe 3.0 в режиме MFDP
- 3× порта USB-A 10 Гбит/с
- 1× порт USB-A 10 Гбит/с (поддержка BC 1.2)
- 1× RJ45 Ethernet 2,5 Гбит/с
- 1× аудиопорт для гарнитуры 3,5 мм
- 1× слот замка безопасности K
- 1× слот замка безопасности K Nano

Схема док-станции



*Требуется Thunderbolt Share

Винт для снятия крышки М.2



Отверстие для винта для фиксации устройства М.2

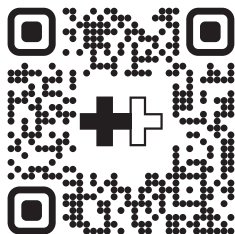
Разъём М.2

Установка устройства M.2

1. Выключите док-станцию и отключите питание. Отсоедините док-станцию от хост-устройства и отключите все периферийные устройства от портов док-станции.
2. Доступ к слоту M.2 – Переверните док-станцию и снимите винт крышки M.2 с помощью крестовой отвертки.
3. Удалите фиксирующий винт – Извлеките маленький фиксирующий винт M.2 внутри разъёма.
4. Вставьте накопитель M.2 – Совместите накопитель с вырезом слота, вставьте под углом, затем прижмите вниз и закрепите фиксирующим винтом.
5. Установите крышку – Верните крышку M.2 и затяните винт.
6. Подключите все периферийные устройства обратно к портам док-станции, подключите питание, включите док-станцию и снова подключите её к хост-устройству.

Видеоинструкция по быстрому запуску

Отсканируйте QR-код, чтобы посмотреть наше видео по настройке.



Поддерживаемые разрешения мониторов

Хосты Windows Thunderbolt 5

3 × потока DP 4-lane

	Графика хост-системы	Разрешение
Одно видео (выберите один выход)	DP 2.1 UHBR20	7680 x 4320 @60Hz
	DP 2.1 UHBR20 w/DSC	7680 x 4320 @144Hz
Два видео (выберите два выхода)	DP 2.1 UHBR20	7680 x 4320 @60Hz
	DP 2.1 UHBR20 w/DSC	7680 x 4320 @120Hz
Три видео	DP 2.1 UHBR20	7680 x 4320 @30Hz
	DP 2.1 UHBR20 w/DSC	7680 x 4320 @60Hz

Хосты Windows Thunderbolt 4

2 × потока DP 4-lane

	Графика хост-системы	Разрешение
Одно видео (выберите один выход)	DP 1.4 HBR3	7680 x 4320 @30Hz
	DP 1.4 HBR3 w/DSC	7680 x 4320 @60Hz
Два видео (выберите два выхода)	DP 1.4 HBR3	7680 x 4320 @30Hz+
		3840 x 2160 @30Hz
	DP 1.4 HBR3 w/DSC	7680 x 4320 @60Hz+
		3840 x 2160 @60Hz
Три видео	Не поддерживается хост-машиной	

Хосты USB4

1 × поток DP 4-lane

	Графика хост-системы	Разрешение
Одно видео (выберите один выход)	DP 1.4 HBR3	7680 x 4320 @30Hz
	DP 1.4 HBR3 w/DSC	7680 x 4320 @60Hz
	DP 2.1 UHBR20	7680 x 4320 @60Hz
	DP 2.1 UHBR20 w/DSC	7680 x 4320 @144Hz
Два видео	Не поддерживается хост-машиной	
Три видео	Не поддерживается хост-машиной	

Поддерживаемые разрешения мониторов

MacBook Pro M1/M2/M3 Pro или Max
MacBook Air/Pro M4 все варианты
MacBook Air M3 (с закрытой крышкой)

	Графика хост-системы	Разрешение
Одно видео (выберите один выход)	DP 1.4 HBR3	6010 x 3384 @60Hz
	DP 1.4 HBR3 w/DSC	6010 x 3384 @60Hz
Два видео (выберите два выхода)	DP 1.4 HBR3	6010 x 3384 @60Hz+
		3840 x 2160 @60Hz
	DP 1.4 HBR3 w/DSC	6010 x 3384 @60Hz+
		3840 x 2160 @60Hz
Три видео	Не поддерживается хост-машиной	

MacBook Air M1 / M2
1 × поток DP 4-lane

	Графика хост-системы	Разрешение
Одно видео (выберите один выход)	DP 1.4 HBR3	6010 x 3384 @60Hz
	DP 1.4 HBR3 w/DSC	6010 x 3384 @60Hz
Два видео	Не поддерживается хост-машиной	
Три видео	Не поддерживается хост-машиной	

MacBook на базе Intel
2 × потока DP 4-lane

	Графика хост-системы	Разрешение
Одно видео (выберите один выход)	DP 1.2 HBR2	3840 x 2160 @60Hz
	DP 1.4 HBR3	5120 x 2160 @60Hz
Два видео	DP 1.2 HBR2	3840 x 2160 @60Hz+
		3840 x 2160 @60Hz
	DP 1.4 HBR3	5120 x 2160 @60Hz+
		3840 x 2160 @60Hz

Хосты Windows USB-C (MFDP)
1 × поток DP 2-lane

	Графика хост-системы	Разрешение
Одно видео (выберите один выход)	DP 1.2 HBR2	3840 x 2160 @30Hz
	DP 1.4 HBR3	3840 x 2160 @60Hz
	DP 1.4 HBR3 w/DSC	3840 x 2160 @30Hz
Два видео	Не поддерживается хост-машиной	
Три видео	Не поддерживается хост-машиной	

Инструкции по безопасности

- Не подвергайте воздействию влаги и не погружайте в жидкость.
- Храните в прохладном, сухом месте. Рекомендуемая температура хранения: -10°C/14°F до 70°C/158°F; Рабочая температура: 0°C/32°F до 35°C/95°F.
- Не разбирайте и не пытайтесь изменить продукт любым образом.
- Прекратите использование и свяжитесь с производителем, если продукт чрезмерно нагревается, издает запах, деформирован или наблюдаются другие аномалии.
- Избегайте сильной вибрации, ударов, давления при транспортировке и держите продукт вдали от прямых солнечных лучей и дождя.
- Утилизируйте отработанные продукты в соответствии с местными нормами.
- Не очищайте вредными химическими веществами или мощными средствами.
- Держите вдали от детей младше 3 лет.
- Остерегайтесь падений, ударов, истирания или воздействия.

Информация о соответствии:

- Подключайте кабель питания к розетке с заземлением.
- Оборудование подходит только для установки на высоте ≤ 2 м.
- При подключении оборудования к док-станции через порт USB-C PD оно должно иметь огнестойкий корпус.
- Информация о маркировке находится на нижней части устройства.
- Заявление ErP: Потребление энергии в режиме «выключено» $< 0,3$ Вт.

RUSSIAN



Декларация соответствия

Производитель :	Hyper Products Inc.	телефон:	1-714-765-5555
Адрес :	1211 North Miller Street Anaheim, CA 92806 USA	факс:	1-714-765-5599
Импортер :	Targus Europe Ltd.	интернет:	www.targus.com
Адрес :	Targus EMEA Account Management Van Hilststraat 19, 5145 RK Waalwijk, NETHERLANDS	телефон:	+44 (0)20 8831 2000

Настоящим мы подтверждаем, что указанное изделие HyperDrive Next Thunderbolt 5 Dock(with Power/Adapter, A17-180P4B), Модель №. HD2801, Наименование бренда "HYPER", соответствует the Low Voltage Directive 2014/35/EU, COMMISSION REGULATION (EU) 2023/826, EMC Directive 2014/30/EU, EU RoHS Directive 2011/65/EU and its amendment Directive (EU) 2015/863.

При проведении оценки в соответствии с вышеуказанными директивами принимались во внимание следующие стандарты:

Low-Voltage Directive: 2014/35/EU

EN IEC 62368-1: 2020+A11:2020

EMC Directive: 2014/30/EU

EN 55032: 2015+A11:2020, Class B

EN IEC 61000-3-2: 2019+A1:2021+A2:2024, Class A

EN 61000-3-3: 2013+A1:2019+A2:2021+AC:2022

EN 55035: 2017+A11:2020

COMMISSION REGULATION (EU) 2023/826

EN 50564:2011

RoHS Directive: 2011/65/EU and its amendment Directive (EU) 2015/863.

EN IEC 63000:2018

Год применения маркировки CE: 2025

Директор, Targus - Global Sourcing Group

Должность

CF Ngoh

ФИО

12/05/2025/ Hong Kong

Дата /Место выдачи

A handwritten signature in black ink, appearing to be "CF Ngoh".

Подпись от имени

SE-Introduktion

HyperDrive Next Thunderbolt 5 Dock levererar professionell prestanda och utökad anslutning för Thunderbolt 4- och 5-laptops. Den stöder upp till tre utökade 4K144Hz-skärmar eller en enda 8K144Hz-utgång och erbjuder 10 mångsidiga portar, inklusive 2,5Gbps Ethernet, USB-A 10Gbps och 140W USB-C Power Delivery för snabb laddning av laptop. Thunderbolt Share möjliggör höghastighetsdelning av skärm, filer och kringutrustning mellan datorer, vilket förbättrar samarbetet. Dockan är designad för högpresterande miljöer och byggd med ett hållbart aluminiumhölje och 75 % återvunnet material.

Förpackningens innehåll

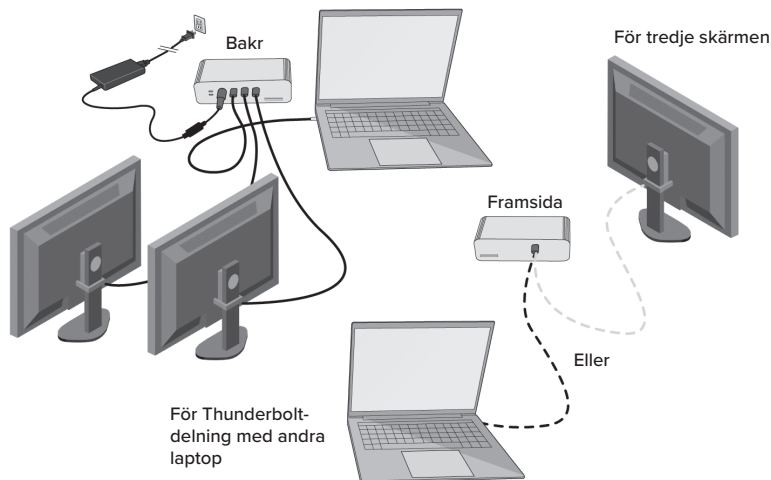
- HD2801GL Thunderbolt 5-dockningsstation
- 1 m USB-C Thunderbolt 5-kabel (80Gbps/120Gbps)
- 1 × 180W AC universell strömadapter
- Regionala strömkablar
- Användarhandbok

Systemkrav

Hårdvara

- Thunderbolt 4 eller 5 eller annan kompatibel USB-C Alternate Mode Windows-värd
- macOS 15 Sequoia krävs för alla Mac som stöder HD2801 (inklusive vissa Thunderbolt 3 Mac som är kompatibla med macOS 15).
- 140W laddning kräver kompatibel värd som stöder PD3.1 Extended Power Range (EPR). PD 3.0 Power Delivery upp till 100W för kompatibla värdar.

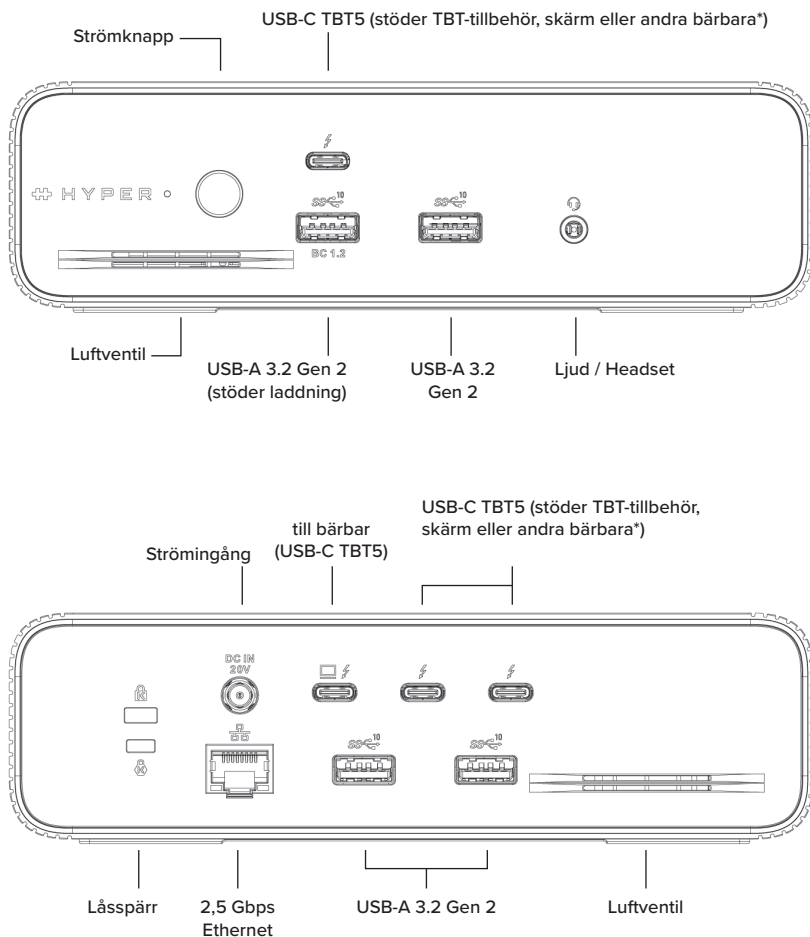
Arbetsstation Inställning



Specifikation

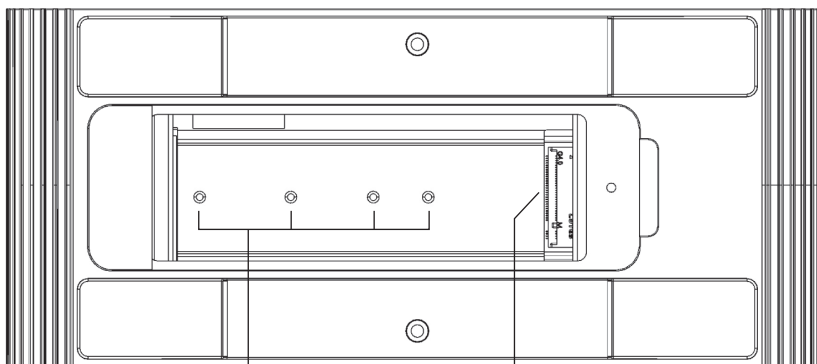
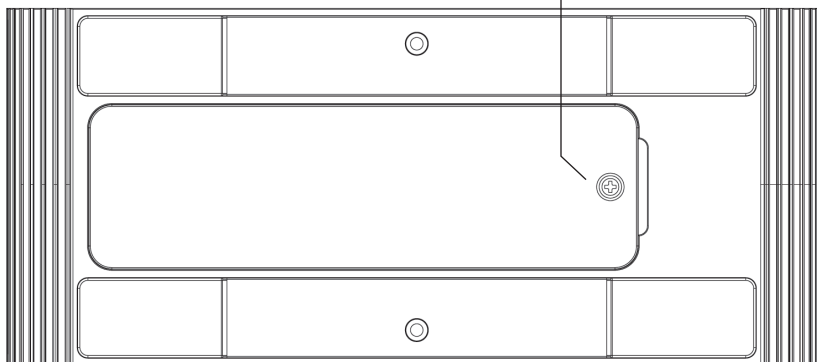
- 1× upstream Thunderbolt 5-port som stöder 80/120 Gb/s och Power Delivery 3.1 EPR 140 W
- 3× Thunderbolt 5-portar som stöder 80/120 Gb/s och Power Delivery 3.1 EPR 140 W
- 1× M.2 SSD-plats (2230 / 2242 / 2260 / 2280 typ)
 - 4× PCIe 4.0 NVMe SSD i Thunderbolt-läge
 - 2× PCIe 3.0 NVMe SSD i MFDP-läge
- 3× USB-A 10 Gb/s portar
- 1× USB-A 10 Gb/s port (stöder BC 1.2)
- 1× RJ45 2,5 Gb/s Ethernet
- 1× 3,5 mm headset-ljudport
- 1× K-säkerhetslåsslott
- 1× K Nano-säkerhetslåsslott

Dockningsstationsdiagram



*Kräver Thunderbolt Share

Skruv för att ta bort M.2-locket



Skruvhål för att låsa M.2-enheten

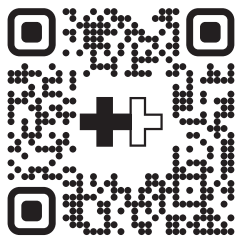
M.2-socket

Installation av M.2-enhet

1. Stäng AV dockningsstationen och koppla bort strömmen. Koppla bort dockan från värddatorn och koppla bort alla nedströmsenheter från dockans portar.
2. Tillgång till M.2-platsen – Vänd dockan och ta bort M.2-lockets skruv med en stjärnskruvmejsel.
3. Ta bort låsskruven – Ta ut den lilla M.2-låsskruven inuti sockeln.
4. Sätt i M.2-enheten – Rikta in enheten med spårets urtag, skjut in den i vinkel, tryck ned och säkra med låsskruven.
5. Montera locket igen – Sätt tillbaka M.2-locket och dra åt skruven.
6. Anslut alla nedströmsenheter igen till dockans portar, anslut strömmen, slå PÅ dockan och anslut dockan igen till värdenheten.

Snabbstart-videoguide

Skanna QR-koden för att se vår installationsvideo.



Stödda skärmupplösningar

Windows-baserade Thunderbolt 5-värdar 3 × DP 4-lane strömmar

	Värdgrafik	Upplösning
Enkel video (välj en utgång)	DP 2.1 UHBR20	7680 x 4320 @60Hz
	DP 2.1 UHBR20 w/DSC	7680 x 4320 @144Hz
Dubbel video (välj två utgångar)	DP 2.1 UHBR20	7680 x 4320 @60Hz
	DP 2.1 UHBR20 w/DSC	7680 x 4320 @120Hz
Trippel video	DP 2.1 UHBR20	7680 x 4320 @30Hz
	DP 2.1 UHBR20 w/DSC	7680 x 4320 @60Hz

Windows-baserade Thunderbolt 4-värdar 2 × DP 4-lane strömmar

	Värdgrafik	Upplösning
Enkel video (välj en utgång)	DP 1.4 HBR3	7680 x 4320 @30Hz
	DP 1.4 HBR3 w/DSC	7680 x 4320 @60Hz
Dubbel video (cvälj två utgångar)	DP 1.4 HBR3	7680 x 4320 @30Hz+
		3840 x 2160 @30Hz
	DP 1.4 HBR3 w/DSC	7680 x 4320 @60Hz+
		3840 x 2160 @60Hz
Trippel video	Stöds inte av värdatorn	

USB4-värdar 1 × DP 4-lane ström

	Värdgrafik	Upplösning
Enkel video (välj en utgång)	DP 1.4 HBR3	7680 x 4320 @30Hz
	DP 1.4 HBR3 w/DSC	7680 x 4320 @60Hz
	DP 2.1 UHBR20	7680 x 4320 @60Hz
	DP 2.1 UHBR20 w/DSC	7680 x 4320 @144Hz
Dubbel video	Stöds inte av värdatorn	
Trippel video	Stöds inte av värdatorn	

Stödda skärmupplösningar

MacBook Pro M1/M2/M3 Pro eller Max

MacBook Air/Pro M4 alla varianter

MacBook Air M3 (med stängt lock)

	Värdgrafik	Upplösning
Enkel video (välj en utgång)	DP 1.4 HBR3	6010 x 3384 @60Hz
	DP 1.4 HBR3 w/DSC	6010 x 3384 @60Hz
Dubbel video (välj två utgångar)	DP 1.4 HBR3	6010 x 3384 @60Hz+
		3840 x 2160 @60Hz
	DP 1.4 HBR3 w/DSC	6010 x 3384 @60Hz+
		3840 x 2160 @60Hz
Trippel video	Stöds inte av värd datorn	

MacBook Air M1 / M2

1 × DP 4-lane ström

	Värdgrafik	Upplösning
Enkel video (välj en utgång)	DP 1.4 HBR3	6010 x 3384 @60Hz
	DP 1.4 HBR3 w/DSC	6010 x 3384 @60Hz
Dubbel video	Stöds inte av värd datorn	
Trippel video	Stöds inte av värd datorn	

Intel-baserad MacBook

2 × DP 4-lane strömmar

	Värdgrafik	Upplösning
Enkel video (välj en utgång)	DP 1.2 HBR2	3840 x 2160 @60Hz
	DP 1.4 HBR3	5120 x 2160 @60Hz
Dubbel video	DP 1.2 HBR2	3840 x 2160 @60Hz+
		3840 x 2160 @60Hz
	DP 1.4 HBR3	5120 x 2160 @60Hz+
		3840 x 2160 @60Hz

Windows-baserade USB-C (MFDP) värdar

1 × DP 2-lane ström

	Värdgrafik	Upplösning
Enkel video (välj en utgång)	DP 1.2 HBR2	3840 x 2160 @30Hz
	DP 1.4 HBR3	3840 x 2160 @60Hz
	DP 1.4 HBR3 w/DSC	3840 x 2160 @30Hz
Dubbel video	Stöds inte av värd datorn	
Trippel video	Stöds inte av värd datorn	

Säkerhetsinstruktioner

- Utsätt inte för fukt eller sänk ner i vätska.
- Förvara på en sval, torr plats. Rekommenderad lagringstemperatur: -10°C/14°F till 70°C/158°F; Driftstemperatur: 0°C/32°F till 35°C/95°F.
- Demontera inte och försök inte att modifiera produkten på något sätt.
- Sluta använda och kontakta tillverkaren om produkten blir extremt varm, avger lukt, är deformerad eller visar andra avvikelser.
- Undvik kraftiga vibrationer, stötar, tryck vid transport och håll produkten borta från starkt solljus och regn.
- Kassera kasserade produkter korrekt enligt lokala bestämmelser.
- Rengör inte med skadliga kemikalier eller rengöringsmedel.
- Förvara utom räckhåll för barn under 3 år.
- Var försiktig med fall, stötar, skrapor eller slag.

Information om överensstämmelse:

- Anslut nätkabeln till ett jordat uttag.
- Utrustningen är endast lämplig för montering på höjder ≤ 2 m.
- När utrustningen ansluts till en dockningsstation via USB-C PD-port måste den ha brandskyddshölje.
- Märkningsinformationen finns på apparatens undersida.
- ErP-uttalande: Strömförbrukning i avstängt läge $< 0,3$ W.

SWEDISH



Överensstämmelsedeklaration

Tillverkare:	Hyper Products Inc.	Tel:	1-714-765-5555
Adress :	1211 North Miller Street, Anaheim, CA 92806 USA	Fax:	1-714-765-5599
Importör:	Targus Europe Ltd.	Internet:	www.targus.com
Adress :	Targus EMEA Account Management Van Hilststraat 19, 5145 RK Waalwijk, NETHERLANDS	Tel:	+44 (0)20 8831 2000

Härmed bekräftar vi följande angivna produkt HyperDrive Next Thunderbolt 5 Dock(with Power/Adapter, A17-180P4B), Modellnr. HD2801, varumärke "HYPER" överensstämmer med the Low Voltage Directive 2014/35/EU, COMMISSION REGULATION (EU) 2023/826, EMC Directive 2014/30/EU, EU RoHS Directive 2011/65/EU and its amendment Directive (EU) 2015/863.

För utvärdering beträffande ovanstående direktiv har följande standards tillämpats:

Low-Voltage Directive: 2014/35/EU

EN IEC 62368-1: 2020+A11:2020

EMC Directive: 2014/30/EU

EN 55032: 2015+A11:2020, Class B

EN IEC 61000-3-2: 2019+A1:2021+A2:2024, Class A

EN 61000-3-3: 2013+A1:2019+A2:2021+AC:2022

EN 55035: 2017+A11:2020

COMMISSION REGULATION (EU) 2023/826

EN 50564:2011

RoHS Directive: 2011/65/EU and its amendment Directive (EU) 2015/863.

EN IEC 63000:2018

Begynnelseår för CE-märkning: 2025

Direktör, Targus - Global Sourcing Group

CF Ngoh

Titel

Namn

12/05/2025/ Hong Kong

Datum / Ort för utfärdande

Undertecknat för och på uppdrag av Targus

TR-Giriş

HyperDrive Next Thunderbolt 5 Dock, Thunderbolt 4 ve 5 dizüstü bilgisayarlar için profesyonel performans ve genişletilmiş bağlantı sunar. Üç adet genişletilmiş 4K144Hz ekranı veya tek bir 8K144Hz çıkışı destekler ve 2,5Gbps Ethernet, USB-A 10Gbps ve 140W USB-C Power Delivery dahil olmak üzere 10 çok yönlü bağlantı noktası sunar. Thunderbolt Share, PC'ler arasında yüksek hızlı ekran, dosya ve çevre birimi paylaşımını mümkün kılarak işbirliğini geliştirir. Yüksek performanslı ortamlar için tasarlanan bu dock, dayanıklı alüminyum gövde ve %75 geri dönüştürülmüş malzemelerle üretilmiştir.

Paket İçeriği

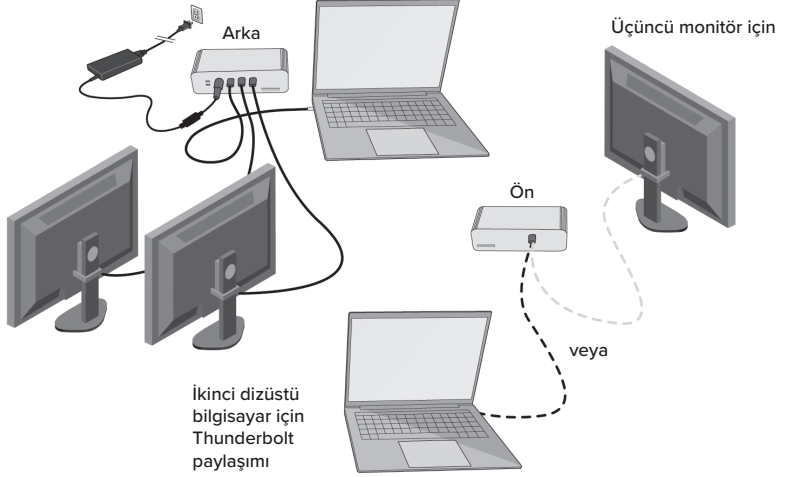
- HD2801GL Thunderbolt 5 Dock İstasyonu
- 1 m USB-C Thunderbolt 5 kablosu (80Gbps/120Gbps)
- 1 × 180W AC evrensel güç adaptörü
- Bölgesel güç kabloları
- Kullanıcı kılavuzu

Sistem Gereksinimleri

Donanım

- Thunderbolt 4 veya 5 veya başka uyumlu USB-C Alternate Mode Windows ana bilgisayarları
- macOS 15 Sequoia, HD2801'i destekleyen herhangi bir Mac için gereklidir (macOS 15 uyumlu bazı Thunderbolt 3 Mac'ler dahil).
- 140W şarj, PD3.1 Extended Power Range (EPR) destekleyen uyumlu ana bilgisayar gerektirir. PD 3.0 Power Delivery uyumlu cihazlar için 100W'a kadar.

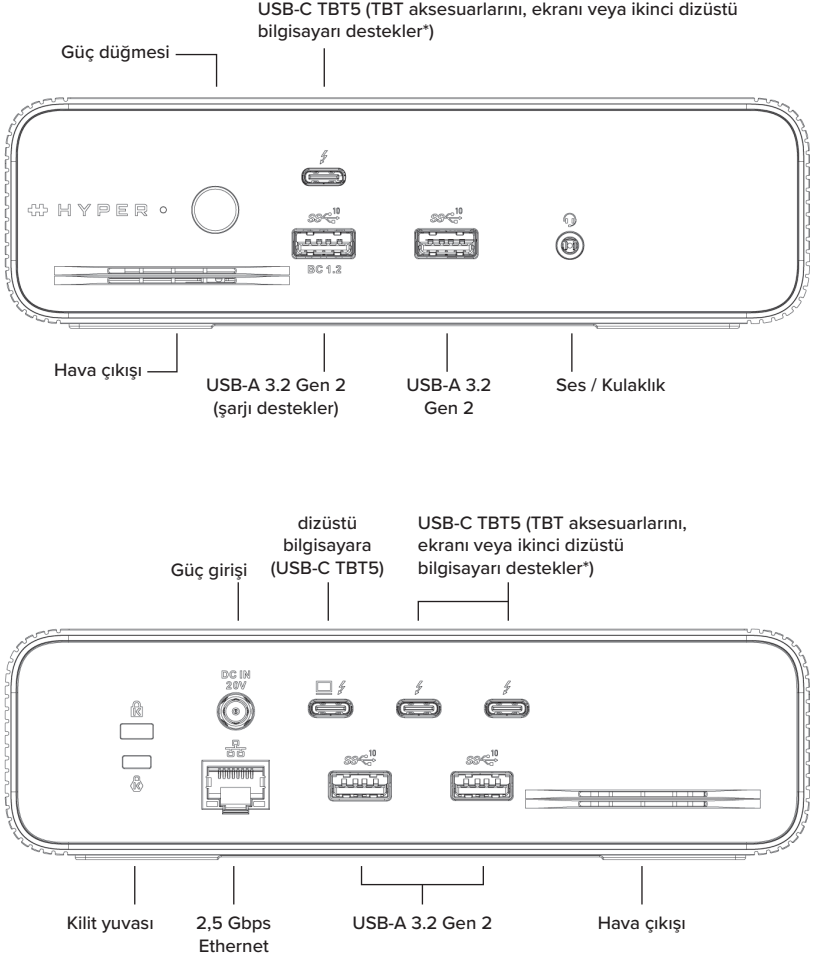
İş İstasyonu Kurulumu



Özellikler

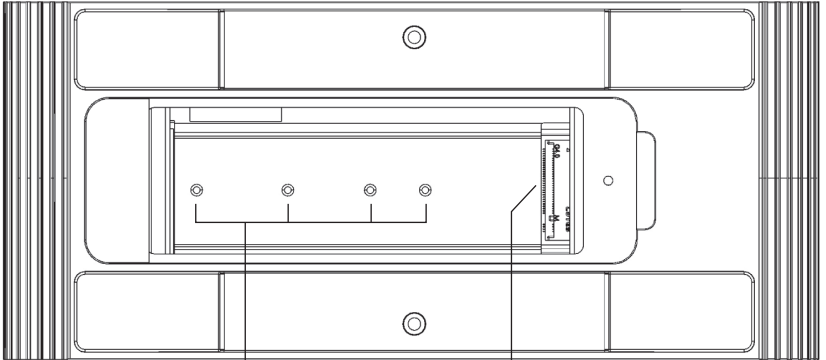
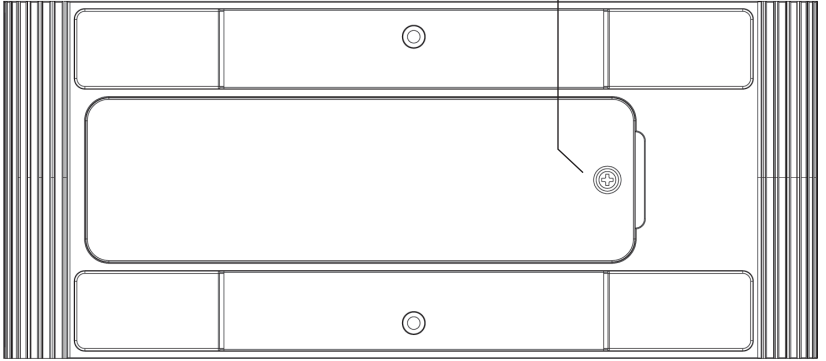
- 1× upstream Thunderbolt 5 portu, 80/120 Gb/s hızlarını ve Power Delivery 3.1 EPR 140 W destekler
- 3× Thunderbolt 5 portu, 80/120 Gb/s hızlarını ve Power Delivery 3.1 EPR 140 W destekler
- 1× M.2 SSD yuvası (2230 / 2242 / 2260 / 2280 tip)
 - Thunderbolt modunda 4× PCIe 4.0 NVMe SSD
 - MFD modunda 2× PCIe 3.0 NVMe SSD
- 3× USB-A 10 Gb/s portu
- 1× USB-A 10 Gb/s portu (BC 1.2 destekler)
- 1× RJ45 2,5 Gb/s Ethernet
- 1× 3,5 mm kulaklık ses portu
- 1× K güvenlik kilidi yuvası
- 1× K Nano güvenlik kilidi yuvası

Bağlantı istasyonu diyagramı



*Thunderbolt Share gerektirir

M.2 kapađını ıkarmak iin vida



M.2 cihazını sabitlemek iin
vida deliđi

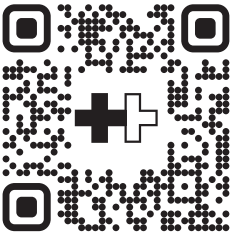
M.2 yuvası

M.2 cihazı kurulumu

1. Dock istasyonunu KAPATIN ve güç bağlantısını kesin. Dock'u ana bilgisayardan ayırın ve tüm bağlı cihazları dock'un bağlantı noktalarından çıkarın.
2. M.2 yuvasına erişin – İstasyonu ters çevirin ve bir yıldız tornavida ile M.2 kapağı vidasını çıkarın.
3. Kilit vidasını çıkarın – Yuva içindeki küçük M.2 kilit vidasını çıkarın.
4. M.2 sürücüsünü takın – Sürücüyü yuvanın girintisiyle hizalayın, açılı olarak kaydırın, ardından aşağı bastırın ve kilit vidasıyla sabitleyin.
5. Kapağı yeniden takın – M.2 kapağını yerine koyun ve vidasını sıkın.
6. Tüm bağlı cihazları dock'un bağlantı noktalarına yeniden bağlayın, gücü tekrar bağlayın, dock'u AÇIN ve dock'u ana cihaza yeniden bağlayın.

Hızlı Başlangıç Video Kılavuzu

Kurulum videomuzu izlemek için QR kodunu tarayın.



Desteklenen Monitör Çözünürlükleri

Windows tabanlı Thunderbolt 5 ana makineler

3 × DP 4-lane akış

	Ana Bilgisayar Grafikleri	Çözünürlük
Tek video (bir çıkış seçin)	DP 2.1 UHBR20	7680 x 4320 @60Hz
	DP 2.1 UHBR20 w/DSC	7680 x 4320 @144Hz
DÇift video (iki çıkış seçin)	DP 2.1 UHBR20	7680 x 4320 @60Hz
	DP 2.1 UHBR20 w/DSC	7680 x 4320 @120Hz
Üçlü video	DP 2.1 UHBR20	7680 x 4320 @30Hz
	DP 2.1 UHBR20 w/DSC	7680 x 4320 @60Hz

Windows tabanlı Thunderbolt 4 ana makineler

2 × DP 4-lane akış

	Ana Bilgisayar Grafikleri	Çözünürlük
Tek video (bir çıkış seçin)	DP 1.4 HBR3	7680 x 4320 @30Hz
	DP 1.4 HBR3 w/DSC	7680 x 4320 @60Hz
Çift video (iki çıkış seçin)	DP 1.4 HBR3	7680 x 4320 @30Hz+
		3840 x 2160 @30Hz
	DP 1.4 HBR3 w/DSC	7680 x 4320 @60Hz+
		3840 x 2160 @60Hz
Üçlü video	Ana makine tarafından desteklenmiyor	

USB4 ana makineler

1 × DP 4-lane akış

	Ana Bilgisayar Grafikleri	Çözünürlük
Tek video (bir çıkış seçin)	DP 1.4 HBR3	7680 x 4320 @30Hz
	DP 1.4 HBR3 w/DSC	7680 x 4320 @60Hz
	DP 2.1 UHBR20	7680 x 4320 @60Hz
	DP 2.1 UHBR20 w/DSC	7680 x 4320 @144Hz
Çift video	Ana makine tarafından desteklenmiyor	
Üçlü video	Ana makine tarafından desteklenmiyor	

Desteklenen Monitör Çözünürlükleri

MacBook Pro M1/M2/M3 Pro veya Max
MacBook Air/Pro M4 tüm varyantlar
MacBook Air M3 (kapak kapalı)

	Ana Bilgisayar Grafikleri	Çözünürlük
Tek video (bir çıkış seçin)	DP 1.4 HBR3	6010 x 3384 @60Hz
	DP 1.4 HBR3 w/DSC	6010 x 3384 @60Hz
Çift video (iki çıkış seçin)	DP 1.4 HBR3	6010 x 3384 @60Hz+
		3840 x 2160 @60Hz
	DP 1.4 HBR3 w/DSC	6010 x 3384 @60Hz+
		3840 x 2160 @60Hz
Üçlü video	Ana makine tarafından desteklenmiyor	

MacBook Air M1 / M2
1 × DP 4-lane akış

	Ana Bilgisayar Grafikleri	Çözünürlük
Tek video (bir çıkış seçin)	DP 1.4 HBR3	6010 x 3384 @60Hz
	DP 1.4 HBR3 w/DSC	6010 x 3384 @60Hz
Çift video	Ana makine tarafından desteklenmiyor	
Triple Video	Ana makine tarafından desteklenmiyor	

Intel tabanlı MacBook
2 × DP 4-lane akış

	Ana Bilgisayar Grafikleri	Çözünürlük
Tek video (bir çıkış seçin)	DP 1.2 HBR2	3840 x 2160 @60Hz
	DP 1.4 HBR3	5120 x 2160 @60Hz
Çift video	DP 1.2 HBR2	3840 x 2160 @60Hz+
		3840 x 2160 @60Hz
	DP 1.4 HBR3	5120 x 2160 @60Hz+
		3840 x 2160 @60Hz

Windows tabanlı USB-C (MFDP) ana makineler
1 × DP 2-lane akış

	Ana Bilgisayar Grafikleri	Çözünürlük
Tek video (bir çıkış seçin)	DP 1.2 HBR2	3840 x 2160 @30Hz
	DP 1.4 HBR3	3840 x 2160 @60Hz
	DP 1.4 HBR3 w/DSC	3840 x 2160 @30Hz
Çift video	Ana makine tarafından desteklenmiyor	
Üçlü video	Ana makine tarafından desteklenmiyor	

Güvenlik Talimatları

- Neme maruz bırakmayın veya sıvıya daldırmayın.
- Serin ve kuru bir yerde saklayın. Önerilen saklama sıcaklığı: -10°C/14°F ile 70°C/158°F; Çalışma sıcaklığı: 0°C/32°F ile 35°C/95°F.
- Ürünü sökmeyin veya herhangi bir şekilde değiştirmeye çalışmayın.
- Ürün aşırı ısınıyorsa, koku yayıyorsa, deforme olmuşsa veya başka anormallikler fark ederseniz kullanmayı bırakın ve üreticiyle iletişime geçin.
- Taşıma sırasında güçlü titreşim, darbe, baskıdan kaçının ve ürünü yoğun güneş ışığı ve yağmurdan uzak tutun.
- Atık ürünleri yerel düzenlemelere uygun şekilde imha edin.
- Zararlı kimyasallar veya deterjanlarla temizlemeyin.
- Güvenlik için 3 yaşından küçük çocuklardan uzak tutun.
- Düşmelere, darbelere, aşınmalara veya çarpmalara karşı dikkatli olun.

Uyumluluk Bilgisi:

- Güç kablosunu topraklamalı bir prize bağlayın.
- Ekipman yalnızca ≤ 2 m yüksekliklerde montaj için uygundur.
- Ekipman USB-C PD bağlantı noktası üzerinden yuva istasyonuna bağlandığında, yangına dayanıklı muhafazaya sahip olmalıdır.
- İşaretleme bilgileri cihazın alt kısmında bulunur.
- ErP Beyanı: Kapalı modda güç tüketimi $< 0,3$ W.

TURKISH



Uyumluluk Bildirimi

Üretici: Hyper Products Inc. Tel: 1-714-765-5555
Adres: 1211 North Miller Street, Faks: 1-714-765-5599
Anaheim, CA 92806 USA İnternet: www.targus.com
İthalatçı Firma: Targus Europe Ltd. Tel: +44 (0)20 8831 2000
Adres: Targus EMEA Account Management
Van Hilststraat 19, 5145 RK Waalwijk,
NETHERLANDS

Bu belge ile aşağıda detayları verilen HyperDrive Next Thunderbolt 5 Dock(with Power/Adapter, A17-180P4B), Model No. HD2801, Marka adı "HYPER" ürününün, the Low Voltage Directive 2014/35/EU, COMMISSION REGULATION (EU) 2023/826, EMC Directive 2014/30/EU, EU RoHS Directive 2011/65/EU and its amendment Directive (EU) 2015/863.

Yukarıdaki Yönergelere ilişkin değerlendirme için aşağıda verilen standartlar uygulanmıştır:

Low-Voltage Directive: 2014/35/EU

EN IEC 62368-1: 2020+A11:2020

EMC Directive: 2014/30/EU

EN 55032: 2015+A11:2020, Class B

EN IEC 61000-3-2: 2019+A1:2021+A2:2024, Class A

EN 61000-3-3: 2013+A1:2019+A2:2021+AC:2022

EN 55035: 2017+A11:2020

COMMISSION REGULATION (EU) 2023/826

EN 50564:2011

RoHS Directive: 2011/65/EU and its amendment Directive (EU) 2015/863.

EN IEC 63000:2018

CE işaretinin başlangıç yılı: 2025

Direktör, Targus - Global Kaynak Kullanım

Grubu

CF Ngho

İşlev Unvanı

Adı

12/05/2025/ Hong Kong

Tarih / Düzenleme Yeri

Targus için ve Targus adına imzalanmıştır

ES-Introducción

La base HyperDrive Next Thunderbolt 5 ofrece un rendimiento de nivel profesional y conectividad ampliada para portátiles Thunderbolt 4 y 5. Admite hasta tres pantallas extendidas 4K144Hz o una salida única 8K144Hz, mientras ofrece 10 puertos versátiles, incluidos Ethernet de 2,5 Gbps, USB-A 10 Gbps y carga rápida mediante USB-C Power Delivery de 140 W. Thunderbolt Share permite compartir pantalla, archivos y periféricos entre PC a alta velocidad, mejorando los flujos de trabajo colaborativos. Diseñada para entornos de alto rendimiento, esta base está fabricada con una carcasa de aluminio duradera y un 75 % de materiales reciclados postconsumo.

Contenido del paquete

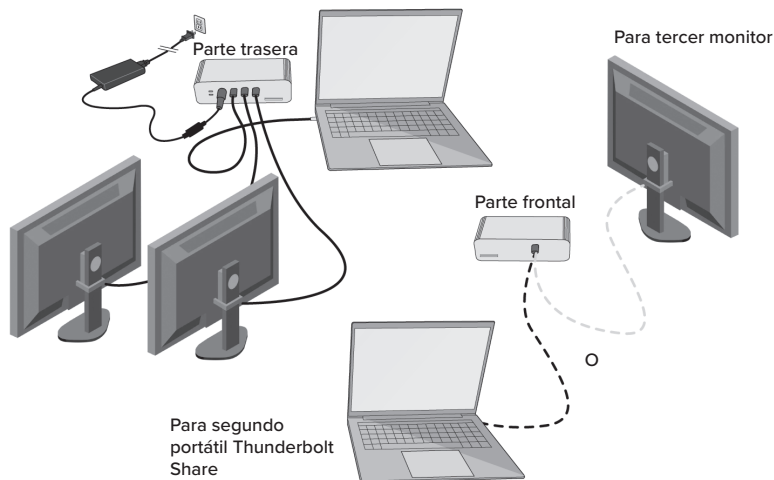
- Dock Thunderbolt 5 HD2801GL
- Cable USB-C Thunderbolt 5 de 1 m (80 Gbps/120 Gbps)
- 1 adaptador de corriente universal de 180 W
- Cable(s) de alimentación regional(es)
- Guía del usuario

Requisitos del sistema

Hardware

- Host Windows Thunderbolt 4 o 5 u otro modo alternativo USB-C compatible
- macOS 15 Sequoia es necesario para que cualquier Mac sea compatible con HD2801 (incluidos algunos Mac Thunderbolt 3 compatibles con macOS 15).
- La carga de 140 W requiere un equipo anfitrión compatible con PD3.1 Extended Power Range (EPR). Power Delivery PD 3.0 hasta 100 W para equipos compatibles.

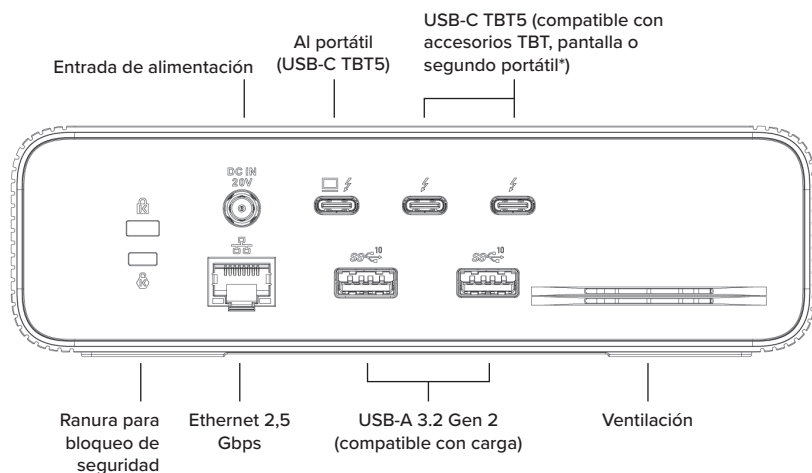
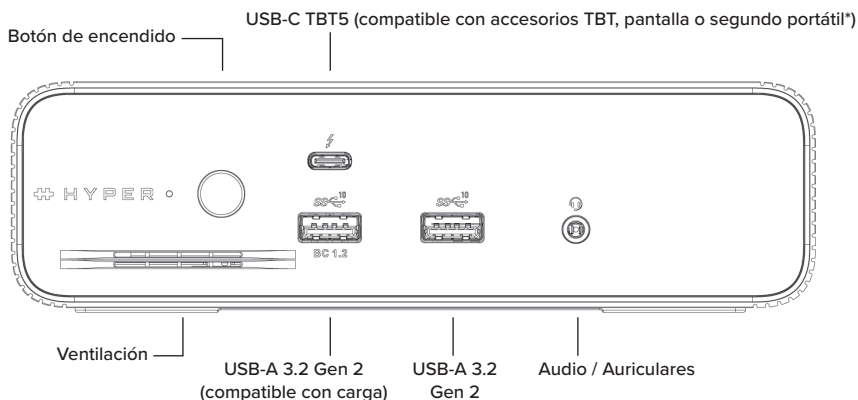
Configuración de estación de trabajo



Especificaciones

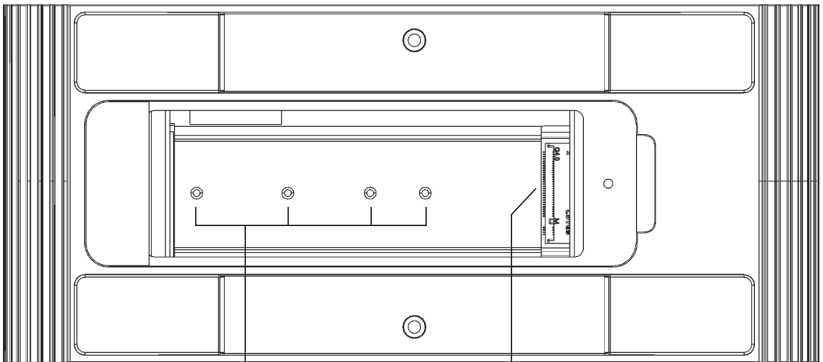
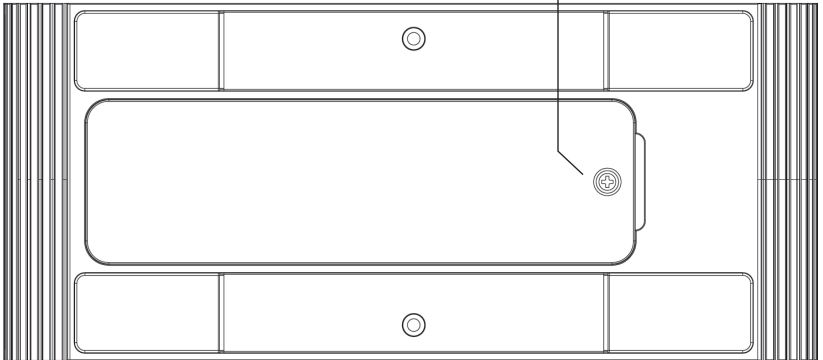
- 1 x puerto Thunderbolt 5 ascendente compatible con velocidades de 80/120 Gbps y Power Delivery 3.1 EPR 140 W
- 3 x puertos Thunderbolt 5 compatibles con velocidades de 80/120 Gbps y Power Delivery 3.1 EPR 140 W
- 1 x ranura M.2 SSD (2230 / 2242 / 2260 / 2280 Tipo)
 - 4× SSD NVMe PCIe 4.0 en modo Thunderbolt
 - 2× SSD NVMe PCIe 3.0 en modo MFDP
- 3 x puertos USB-A 10 Gbps
- 1 x puerto USB-A 10 Gbps (compatible con BC 1.2)
- 1 x RJ45 Ethernet 2,5 Gbps
- 1 x puerto de audio para auriculares de 3,5 mm
- 1 x ranura de seguridad K
- 1 x ranura de seguridad K Nano

Diagrama de la estación de acoplamiento



*Requiere Thunderbolt Share

Tornillo para quitar la tapa de la puerta M.2



Orificio para tornillo para fijar
el dispositivo M.2

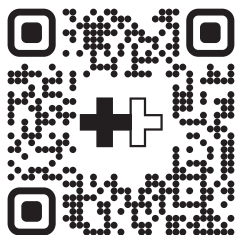
Zócalo M.2

Instalación del dispositivo M.2

1. Apague la estación de acoplamiento y desconecte la alimentación. Desconecte el dock del equipo host y retire todos los dispositivos conectados a los puertos del dock.
2. Acceder a la ranura M.2 – Voltee la base y retire el tornillo de la tapa M.2 con un destornillador Phillips.
3. Retirar el tornillo de bloqueo – Saque el pequeño tornillo de bloqueo M.2 dentro del zócalo.
4. Insertar la unidad M.2 – Alinee la unidad con la muesca de la ranura, deslícela en ángulo, luego presiónela hacia abajo y asegúrela con el tornillo de bloqueo.
5. Reinstalar la tapa – Coloque nuevamente la tapa M.2 y apriete su tornillo.
6. Vuelva a conectar todos los dispositivos a los puertos del dock, reconecte la alimentación y encienda el dock, y luego vuelva a conectar el dock al dispositivo host ascendente.

Guía de inicio rápido en video

Escanee el código QR para ver nuestro video de configuración.



Resoluciones de monitor compatibles

Hosts Thunderbolt 5 basados en Windows – 3 flujos DP de 4 carriles

	Gráficos del host	Resolución
Vídeo único (elija cualquier salida)	DP 2.1 UHBR20	7680 x 4320 @60Hz
	DP 2.1 UHBR20 w/DSC	7680 x 4320 @144Hz
Vídeo doble (elija dos salidas)	DP 2.1 UHBR20	7680 x 4320 @60Hz
	DP 2.1 UHBR20 w/DSC	7680 x 4320 @120Hz
Vídeo triple	DP 2.1 UHBR20	7680 x 4320 @30Hz
	DP 2.1 UHBR20 w/DSC	7680 x 4320 @60Hz

Hosts Thunderbolt 4 basados en Windows – 2 flujos DP de 4 carriles

	Gráficos del host	Resolución
Vídeo único (elija cualquier salida)	DP 1.4 HBR3	7680 x 4320 @30Hz
	DP 1.4 HBR3 w/DSC	7680 x 4320 @60Hz
Vídeo doble (elija dos salidas)	DP 1.4 HBR3	7680 x 4320 @30Hz+
		3840 x 2160 @30Hz
	DP 1.4 HBR3 w/DSC	7680 x 4320 @60Hz+
		3840 x 2160 @60Hz
Vídeo triple	Not supported by host machine	

Hosts USB4 – 1 flujo DP de 4 carriles

	Gráficos del host	Resolución
Vídeo único (elija cualquier salida)	DP 1.4 HBR3	7680 x 4320 @30Hz
	DP 1.4 HBR3 w/DSC	7680 x 4320 @60Hz
	DP 2.1 UHBR20	7680 x 4320 @60Hz
	DP 2.1 UHBR20 w/DSC	7680 x 4320 @144Hz
Vídeo doble	No compatible con el equipo host	
Vídeo triple	No compatible con el equipo host	

Resoluciones de monitor compatibles

MacBook Pro M1/M2/M3 Pro o Max

MacBook Air/Pro M4 todas las variantes

MacBook Air M3 (con la tapa de la pantalla cerrada)

	Gráficos del host	Resolución
Vídeo único (elija cualquier salida)	DP 1.4 HBR3	6010 x 3384 @60Hz
	DP 1.4 HBR3 w/DSC	6010 x 3384 @60Hz
Vídeo doble (elija dos salidas)	DP 1.4 HBR3	6010 x 3384 @60Hz+
		3840 x 2160 @60Hz
	DP 1.4 HBR3 w/DSC	6010 x 3384 @60Hz+
		3840 x 2160 @60Hz
Vídeo triple	No compatible con el equipo host	

MacBook Air M1 / M2 1 flujo DP de 4 carriles

	Gráficos del host	Resolución
Vídeo único (elija cualquier salida)	DP 1.4 HBR3	6010 x 3384 @60Hz
	DP 1.4 HBR3 w/DSC	6010 x 3384 @60Hz
Vídeo doble	No compatible con el equipo host	
Vídeo triple	No compatible con el equipo host	

MacBook con procesador Intel 2 flujos DP de 4 carriles

	Gráficos del host	Resolución
Vídeo único (elija cualquier salida)	DP 1.2 HBR2	3840 x 2160 @60Hz
	DP 1.4 HBR3	5120 x 2160 @60Hz
Vídeo doble	DP 1.2 HBR2	3840 x 2160 @60Hz+
		3840 x 2160 @60Hz
	DP 1.4 HBR3	5120 x 2160 @60Hz+
		3840 x 2160 @60Hz

Hosts Windows USB-C (MFDP) 1 flujo DP de 2 carriles

	Gráficos del host	Resolución
Vídeo único (elija cualquier salida)	DP 1.2 HBR2	3840 x 2160 @30Hz
	DP 1.4 HBR3	3840 x 2160 @60Hz
	DP 1.4 HBR3 w/DSC	3840 x 2160 @30Hz
Vídeo doble	No compatible con el equipo host	
Vídeo triple	No compatible con el equipo host	

Instrucciones de seguridad

- No exponga a la humedad ni sumerja en líquido.
- Guarde en un lugar fresco y seco. Temperatura de almacenamiento recomendada: -10°C/14°F a 70°C/158°F; Temperatura de funcionamiento: 0°C/32°F a 35°C/95°F.
- No desmonte ni intente reutilizar o modificar el producto de ninguna manera.
- Deje de usarlo y contacte al fabricante si el producto está excesivamente caliente, emite olor, está deformado o presenta cualquier otra anomalía.
- Evite vibraciones fuertes, impactos, aplastamientos durante el transporte y mantenga el producto alejado de la luz solar intensa y la lluvia.
- Deseche los productos desechados adecuadamente según las normativas locales.
- No limpie con productos químicos dañinos ni detergentes.
- Mantener fuera del alcance de niños menores de 3 años por seguridad.
- Tenga cuidado con caídas, golpes, abrasiones o impactos.

Información de conformidad:

- Asegúrese de conectar el cable de alimentación a una toma con conexión a tierra.
- El equipo solo es adecuado para montaje a alturas ≤ 2 m.
- Cuando el equipo se conecta a la estación de acoplamiento mediante el puerto USB-C PD, debe tener una carcasa ignífuga.
- La información de marcado se encuentra en la parte inferior del aparato.
- Declaración ErP: Consumo de energía en modo apagado $< 0,3$ W

SPANISH



Declaración de conformidad con la normativa vigente

Fabricante:	Hyper Products Inc.	Tel:	1-714-765-5555
Dirección:	1211 North Miller Street, Anaheim, CA 92806 EE. UU.	Fax:	1-714-765-5599
Importador:	Targus Europe Ltd.	Internet:	www.targus.com
Dirección:	Targus EMEA Account Management Van Hilststraat 19, 5145 RK Waalwijk, NETHERLANDS	Tel:	+44 (0)20 8831 2000

Por medio de la presente confirmamos que el producto denominado HyperDrive Next Thunderbolt 5 Dock(with Power/Adapter, A17-180P4B), con referencias nº HD2801, de la marca "HYPER", cumple con las normativas the Low Voltage Directive 2014/35/EU, COMMISSION REGULATION (EU) 2023/826, EMC Directive 2014/30/EU, EU RoHS Directive 2011/65/EU and its amendment Directive (EU) 2015/863.

A fin de evaluar el cumplimiento de las normativas anteriores se aplicaron los estándares siguientes:

Low-Voltage Directive: 2014/35/EU

EN IEC 62368-1: 2020+A11:2020

EMC Directive: 2014/30/EU

EN 55032: 2015+A11:2020, Class B

EN IEC 61000-3-2: 2019+A1:2021+A2:2024, Class A

EN 61000-3-3: 2013+A1:2019+A2:2021+AC:2022

EN 55035: 2017+A11:2020

COMMISSION REGULATION (EU) 2023/826

EN 50564:2011

RoHS Directive: 2011/65/EU and its amendment Directive (EU) 2015/863.

EN IEC 63000:2018

Año a partir del que se usa la marca CE: 2025

Director, Targus – Distribuidora mundial

CF Ngho

Cargo

Nombre

12/05/2025/ Hong Kong

Fecha /Lugar de emisión

Firmado por y en nombre de Targus

AR-المقدمة

توفر قاعدة Thunderbolt 5 HyperDrive Next أداءً احترافيًا واتصالًا موسعًا لأجهزة الكمبيوتر المحمولة Thunderbolt 4 و5. تدعم ما يصل إلى ثلاث شاشات ممتدة بدقة 4K144Hz أو مخرج واحد بدقة 8K144Hz، مع تقديم 10 منافذ متعددة الاستخدامات بما في ذلك إيثرنت بسرعة 2.5Gbps، وUSB-A بسرعة 10Gbps، و140 واط USB-C Power Delivery لشحن سريع للكمبيوتر المحمول. تتبع ميزة Thunderbolt Share مشاركة الشاشة والملفات والأجهزة الطرفية بين أجهزة الكمبيوتر بسرعة عالية، مما يعزز سير العمل التعاوني. تم تصميم هذه القاعدة لبيئات عالية الأداء، وهي مصنوعة من هيك.

محتويات العبوة

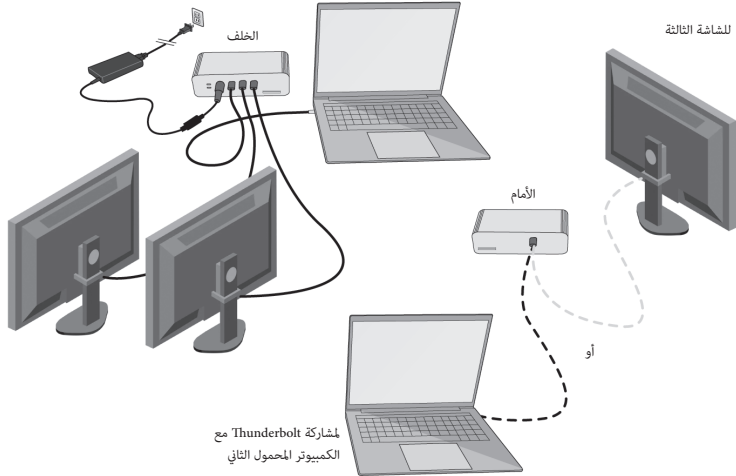
- قاعدة توصيل Thunderbolt 5 HD2801GL
- كابل USB-C Thunderbolt 5 بطول 1 متر (80Gbps/120Gbps)
- 1 × محول طاقة عالمي بقدرة 180 واط
- أسلاك طاقة إقليمية
- دليل المستخدم

متطلبات النظام

الأجهزة

- Thunderbolt 4 أو 5 أو وضع USB-C Alternate Mode متوافق مع Windows
- يتطلب macOS 15 Sequoia لأي جهاز Mac يدعم HD2801 (بما في ذلك بعض أجهزة Mac المزودة بـ Thunderbolt 3 والمتوافقة مع macOS 15).
- يتطلب الشحن بقدرة 140 واط جهازًا متوافقًا يدعم (EPR) PD3.1 Extended Power Range. حتى 100 واط عبر PD 3.0 Power Delivery للأجهزة المتوافقة.

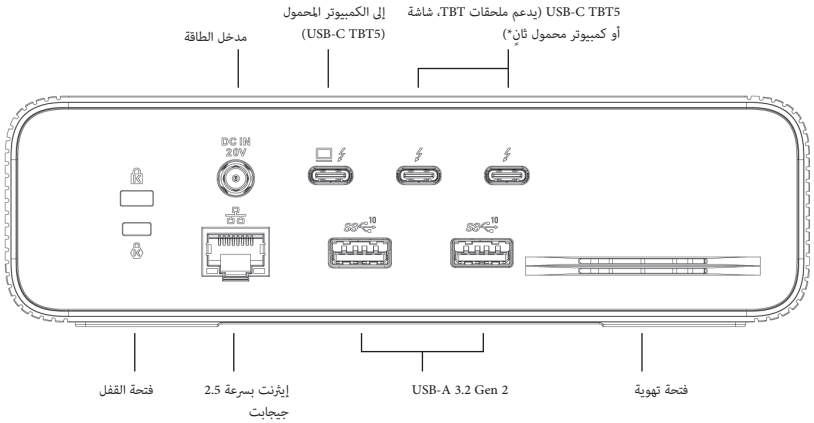
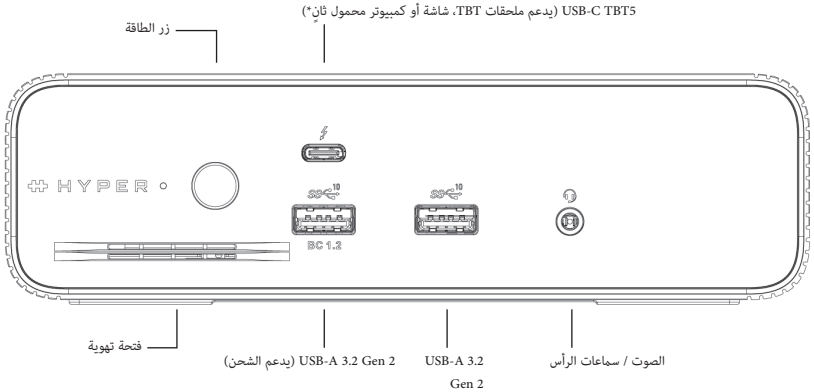
إعداد محطة العمل



المواصفات

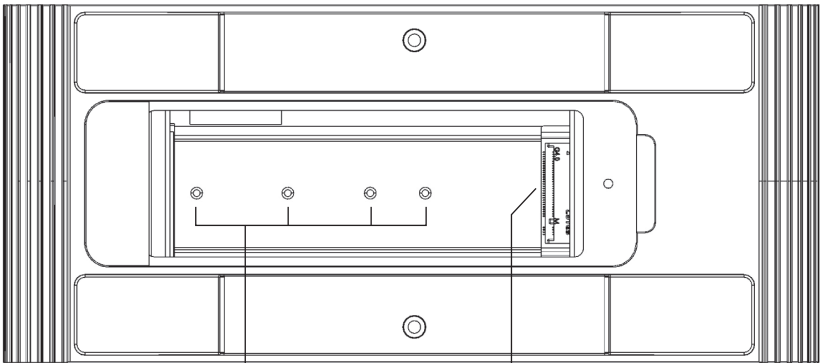
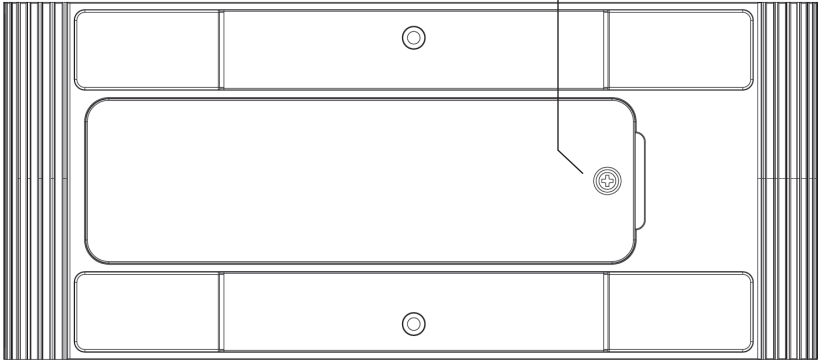
- منفذ 5 Thunderbolt واحد (upstream) يدعم سرعات 80/120 جيجابت/ثانية وتقنية EPR 3.1 Power Delivery بقدرة 140 واط
- 3 منافذ 5 Thunderbolt تدعم سرعات 80/120 جيجابت/ثانية وتقنية EPR 3.1 Power Delivery بقدرة 140 واط
- فتحة SSD M.2 واحدة (أنواع 2280 / 2260 / 2242 / 2230) في وضع Thunderbolt - 4 وحدات SSD NVMe PCIe 4.0 في وضع Thunderbolt - 2 وحدات SSD NVMe PCIe 3.0 في وضع MFD
- 3 منافذ USB-A بسرعة 10 جيجابت/ثانية
- منفذ USB-A واحد بسرعة 10 جيجابت/ثانية (يدعم BC 1.2)
- منفذ RJ45 بسرعة 2.5 جيجابت/ثانية
- منفذ صوت لساعة الرأس مقاس 3.5 مم
- فتحة قفل أمان K
- فتحة قفل أمان Nano K

مخطط محطة الإرساء



*يتطلب Thunderbolt Share

برغي لإزالة غطاء M.2



فتحة البرغي لتثبيت جهاز M.2

منفذ M.2

تثبيت جهاز M.2

1. أوقف تشغيل قاعدة التوصيل وافصل مصدر الطاقة. افصل القاعدة عن الجهاز المضيف وافصل جميع الأجهزة المتصلة من منافذ القاعدة.
2. الوصول إلى فتحة M.2 - اقلب القاعدة وأزل برغي غطاء M.2 باستخدام مفك براغي فيليبس.
3. إزالة برغي التثبيت - أخرج البرغي الصغير لتثبيت M.2 داخل المنفذ.
4. إدخال وحدة M.2 - قم بمحاذاة الوحدة مع الفتحة، أدخلها بزاوية، ثم اضغط لأسفل وثبتها برغي التثبيت.
5. إعادة تركيب الغطاء - ضع غطاء M.2 مرة أخرى وشد البرغي.
6. أعد توصيل جميع الأجهزة المتصلة بمنافذ القاعدة، ثم أعد توصيل الطاقة، وشغل القاعدة، وأعد توصيلها بالجهاز المضيف.

دليل فيديو البدء السريع

امسح رمز الاستجابة السريعة لمشاهدة فيديو الإعداد الخاص بنا.



دقات الشاشة المدعومة

Windows Thunderbolt 5 أجهزة

بأربع مسارات DP تدفقات $3 \times$

الدقة	رسومات الجهاز المضيف	
7680 x 4320 @60Hz	DP 2.1 UHBR20	(فيديو واحد (اختر مخرجًا واحدًا
	DP 2.1 UHBR20 w/DSC	
7680 x 4320 @144Hz	DP 2.1 UHBR20	(فيديو مزدوج (اختر مخرجين
	DP 2.1 UHBR20 w/DSC	
7680 x 4320 @120Hz	DP 2.1 UHBR20	فيديو ثلاثي
	DP 2.1 UHBR20 w/DSC	
7680 x 4320 @30Hz	DP 2.1 UHBR20	
7680 x 4320 @60Hz	DP 2.1 UHBR20 w/DSC	

Windows Thunderbolt 4 أجهزة

بأربع مسارات DP تدفقات $2 \times$

الدقة	رسومات الجهاز المضيف	
7680 x 4320 @30Hz	DP 1.4 HBR3	(فيديو واحد (اختر مخرجًا واحدًا
	DP 1.4 HBR3 w/DSC	
7680 x 4320 @60Hz	DP 1.4 HBR3	(فيديو مزدوج (اختر مخرجين
	DP 1.4 HBR3 w/DSC	
7680 x 4320 @30Hz+	DP 1.4 HBR3	فيديو ثلاثي
3840 x 2160 @30Hz		
7680 x 4320 @60Hz+		
3840 x 2160 @60Hz		غير مدعوم من جهاز المضيف

USB4 أجهزة

بأربع مسارات DP تدفق $1 \times$

الدقة	رسومات الجهاز المضيف	
7680 x 4320 @30Hz	DP 1.4 HBR3	(فيديو واحد (اختر مخرجًا واحدًا
	DP 1.4 HBR3 w/DSC	
	DP 2.1 UHBR20	
	DP 2.1 UHBR20 w/DSC	
7680 x 4320 @60Hz		
7680 x 4320 @144Hz		
غير مدعوم من جهاز المضيف		فيديو مزدوج
غير مدعوم من جهاز المضيف		فيديو ثلاثي

دقات الشاشة المدعومة

MacBook Pro M1/M2/M3 Pro أو Max

جميع الإصدارات

MacBook Air M3 (مع غطاء مغلق)

الدقة	رسومات الجهاز المضيف	
6010 x 3384 @60Hz	DP 1.4 HBR3	(فيديو واحد (اختر مخرجًا واحدًا
6010 x 3384 @60Hz	DP 1.4 HBR3 w/DSC	
6010 x 3384 @60Hz+	DP 1.4 HBR3	(فيديو مزدوج (اختر مخرجين
3840 x 2160 @60Hz		
6010 x 3384 @60Hz+	DP 1.4 HBR3 w/DSC	
3840 x 2160 @60Hz		
غير مدعوم من جهاز المضيف		فيديو ثلاثي

MacBook Air M1 / M2

بأربع مسارات DP تدفق 1 ×

الدقة	رسومات الجهاز المضيف	
6010 x 3384 @60Hz	DP 1.4 HBR3	Single Video
6010 x 3384 @60Hz	DP 1.4 HBR3 w/DSC	(choose any one output)
غير مدعوم من جهاز المضيف		فيديو مزدوج
غير مدعوم من جهاز المضيف		فيديو ثلاثي

Intel معالج MacBook

بأربع مسارات DP تدفقات 2 ×

الدقة	رسومات الجهاز المضيف	
3840 x 2160 @60Hz	DP 1.2 HBR2	(فيديو واحد (اختر مخرجًا واحدًا
5120 x 2160 @60Hz	DP 1.4 HBR3	
3840 x 2160 @60Hz+	DP 1.2 HBR2	فيديو مزدوج
3840 x 2160 @60Hz		
5120 x 2160 @60Hz+	DP 1.4 HBR3	
3840 x 2160 @60Hz		

Windows USB-C (MFD) أجهزة

بمسارين DP تدفق 1 ×

الدقة	رسومات الجهاز المضيف	
3840 x 2160 @30Hz	DP 1.2 HBR2	(فيديو واحد (اختر مخرجًا واحدًا
3840 x 2160 @60Hz	DP 1.4 HBR3	
3840 x 2160 @30Hz	DP 1.4 HBR3 w/DSC	
غير مدعوم من جهاز المضيف		فيديو مزدوج
غير مدعوم من جهاز المضيف		فيديو ثلاثي

تعليمات السلامة

- لا تعرض المنتج للرطوبة أو تغمره في السوائل.
- قم بالتخزين في مكان بارد وجاف. درجة الحرارة الموصى بها للتخزين: $10^{\circ}\text{C}/14^{\circ}\text{F}$ إلى $70^{\circ}\text{C}/158^{\circ}\text{F}$; درجة حرارة التشغيل: $0^{\circ}\text{C}/32^{\circ}\text{F}$ إلى $35^{\circ}\text{C}/95^{\circ}\text{F}$.
- لا تقم بتفكيك المنتج أو محاولة تعديله بأي شكل من الأشكال.
- توقف عن الاستخدام واتصل بالشركة المصنعة إذا أصبح المنتج ساخناً جداً، أو انبعثت منه رائحة، أو تشوه، أو لاحظت أي شذوذ آخر.
- تجنب الاهتزازات القوية، الصدمات، الضغط أثناء النقل، وأبعد المنتج عن أشعة الشمس القوية والمطر.
- تخلص من المنتجات التالفة بشكل صحيح وفقاً للوائح المحلية.
- لا تنظف باستخدام مواد كيميائية ضارة أو منظفات.
- أبعد عن تناول الأطفال دون سن 3 سنوات للسلامة.
- كن حذراً من السقوط، الصدمات، الخدوش أو التأثيرات.

معلومات الامتثال:

- تأكد من توصيل سلك الطاقة بمقبس يحتوي على تأريض.
- المعدات مناسبة فقط للتركيب على ارتفاعات ≥ 2 متر.
- عند توصيل المعدات بمحطة الإرساء عبر منفذ USB-C PD، يجب أن تحتوي على غلاف مقاوم للحريق.
- معلومات العلامات موجودة في الجزء السفلي من الجهاز.
- بيان ErP: استهلاك الطاقة في وضع الإيقاف > 0.3 واط.

VG-Въведение

HyperDrive Next Thunderbolt 5 Dock предлага професионална производителност и разширена свързаност за лаптопи с Thunderbolt 4 и 5. Поддържа до три разширени дисплея 4K144Hz или един изход 8K144Hz, като предлага 10 универсални порта, включително 2,5Gbps Ethernet, USB-A 10Gbps и 140W USB-C Power Delivery за бързо зареждане на лаптопа. Thunderbolt Share позволява високоскоростно споделяне на екран, файлове и периферни устройства между компютри, подобрявайки съвместната работа. Докът е проектиран за среди с висока производителност и е изработен от здрава алуминиева обвивка и 75% рециклирани материали.

Съдържание на опаковката

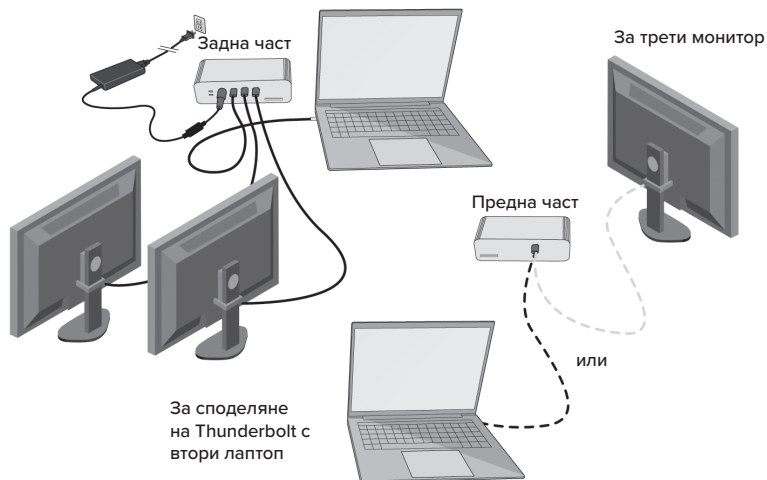
- HD2801GL Thunderbolt 5 докинг станция
- 1 м USB-C Thunderbolt 5 кабел (80Gbps/120Gbps)
- 1 × 180W AC универсален адаптер за храняване
- Регионални храняващи кабели
- Ръководство за потребителя

Системни изисквания

Хардуер

- Thunderbolt 4 или 5 или друг съвместим USB-C Alternate Mode Windows хост
- macOS 15 Sequoia е необходим за всеки Mac, който поддържа HD2801 (включително някои Mac с Thunderbolt 3, съвместими с macOS 15).
- Зареждане с 140W изисква съвместим хост, който поддържа PD3.1 Extended Power Range (EPR). PD 3.0 Power Delivery до 100W за съвместими хостове.

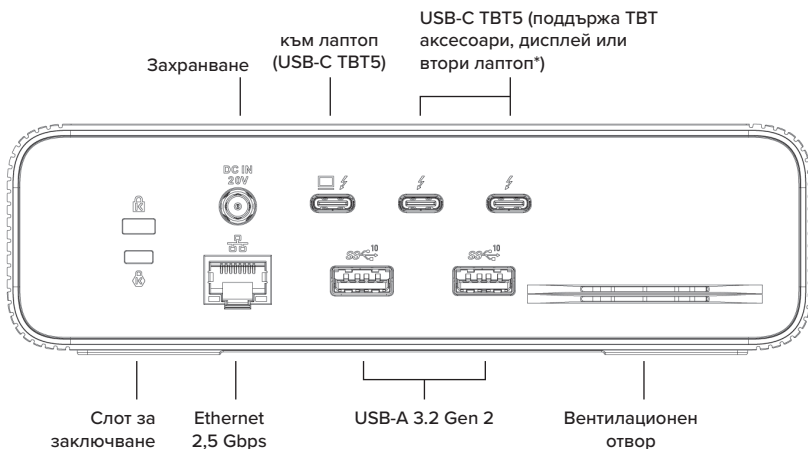
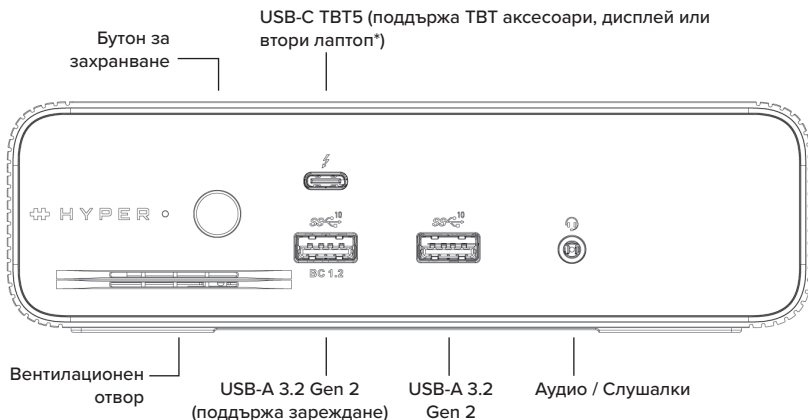
Настройка на работна станция



Спецификация

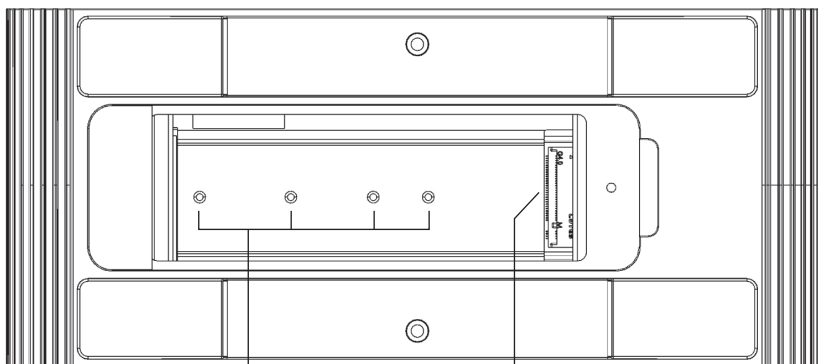
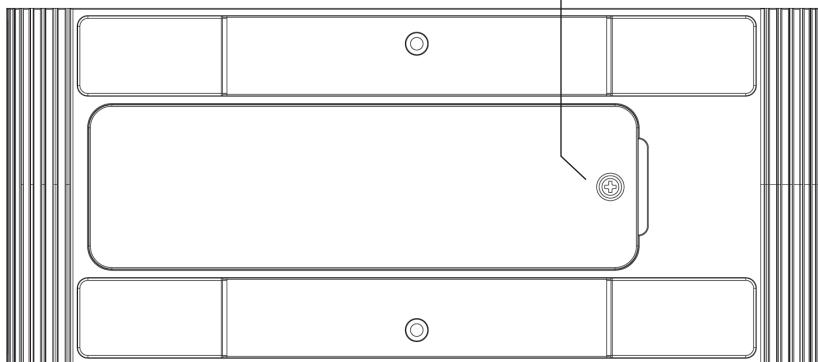
- 1× upstream Thunderbolt 5 порт, поддържащ скорости 80/120 Gb/s и Power Delivery 3.1 EPR 140 W
- 3× Thunderbolt 5 порта, поддържащи скорости 80/120 Gb/s и Power Delivery 3.1 EPR 140 W
- 1× слот M.2 SSD (2230 / 2242 / 2260 / 2280 тип)
 - 4× PCIe 4.0 NVMe SSD в режим Thunderbolt
 - 2× PCIe 3.0 NVMe SSD в режим MFD
- 3× USB-A портове 10 Gb/s
- 1× USB-A порт 10 Gb/s (поддържа BC 1.2)
- 1× RJ45 Ethernet 2,5 Gb/s
- 1× аудио порт за слушалки 3,5 мм
- 1× слот за К заключване
- 1× слот за К Nano заключване

Диаграма на докинг станцията



*Изисква Thunderbolt Share

Винт за премахване на капака М.2



Отвор за винт за заключване
на устройството М.2

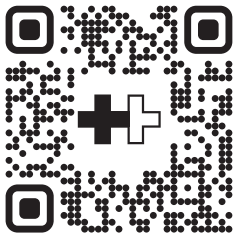
Гнездо М.2

Инсталиране на устройство M.2

1. Изключете докинг станцията и прекъснете захранването. Изключете дока от хост устройството и изключете всички свързани устройства от портовете на дока.
2. Достъп до слота M.2 – Обърнете дока и премахнете винта на капака M.2 с кръстата отвертка.
3. Премахване на заключващия винт – Извадете малкия заключващ винт M.2 вътре в гнездото.
4. Поставяне на M.2 устройството – Подравнете устройството с прореза на слота, плъзнете го под ъгъл, след това натиснете надолу и закрепете с заключващия винт.
5. Монтиране на капака – Поставете обратно капака M.2 и затегнете винта.
6. Свържете отново всички свързани устройства към портовете на дока, възстановете захранването, включете докинг станцията и отново свържете дока към хост устройството.

Видео ръководство за бърз старт

Сканирайте QR кода, за да гледате нашето видео за настройка.



Поддържани резолюции на мониторите

Windows Thunderbolt 5 хостове 3 × DP 4-лентови потока

	Графика на хост устройството	Резолюция
Едно видео (изберете един изход)	DP 2.1 UHBR20	7680 x 4320 @60Hz
	DP 2.1 UHBR20 w/DSC	7680 x 4320 @144Hz
Двойно видео (изберете два изхода)	DP 2.1 UHBR20	7680 x 4320 @60Hz
	DP 2.1 UHBR20 w/DSC	7680 x 4320 @120Hz
Тройно видео	DP 2.1 UHBR20	7680 x 4320 @30Hz
	DP 2.1 UHBR20 w/DSC	7680 x 4320 @60Hz

Windows Thunderbolt 4 хостове 2 × DP 4-лентови потока

	Графика на хост устройството	Резолюция
Едно видео (изберете един изход)	DP 1.4 HBR3	7680 x 4320 @30Hz
	DP 1.4 HBR3 w/DSC	7680 x 4320 @60Hz
Двойно видео (изберете два изхода)	DP 1.4 HBR3	7680 x 4320 @30Hz+
		3840 x 2160 @30Hz
	DP 1.4 HBR3 w/DSC	7680 x 4320 @60Hz+
		3840 x 2160 @60Hz
Тройно видео	Не се поддържа от хост машината	

USB4 хостове 1 × DP 4-лентов поток

	Графика на хост устройството	Резолюция
Едно видео (изберете един изход)	DP 1.4 HBR3	7680 x 4320 @30Hz
	DP 1.4 HBR3 w/DSC	7680 x 4320 @60Hz
	DP 2.1 UHBR20	7680 x 4320 @60Hz
	DP 2.1 UHBR20 w/DSC	7680 x 4320 @144Hz
Двойно видео	Не се поддържа от хост машината	
Тройно видео	Не се поддържа от хост машината	

Поддържани резолюции на мониторите

MacBook Pro M1/M2/M3 Pro или Max
MacBook Air/Pro M4 всички варианти
MacBook Air M3 (със затворен капак)

	Графика на хост устройството	Резолюция
Едно видео (изберете един изход)	DP 1.4 HBR3	6010 x 3384 @60Hz
	DP 1.4 HBR3 w/DSC	6010 x 3384 @60Hz
Двойно видео (изберете два изхода)	DP 1.4 HBR3	6010 x 3384 @60Hz+
		3840 x 2160 @60Hz
	DP 1.4 HBR3 w/DSC	6010 x 3384 @60Hz+
		3840 x 2160 @60Hz
Тройно видео	Не се поддържа от хост машината	

MacBook Air M1 / M2
1 × DP 4-лентов поток

	Графика на хост устройството	Резолюция
Едно видео (изберете един изход)	DP 1.4 HBR3	6010 x 3384 @60Hz
	DP 1.4 HBR3 w/DSC	6010 x 3384 @60Hz
Двойно видео	Не се поддържа от хост машината	
Тройно видео	Не се поддържа от хост машината	

Intel базиран MacBook
2 × DP 4-лентови потока

	Графика на хост устройството	Резолюция
Едно видео (изберете един изход)	DP 1.2 HBR2	3840 x 2160 @60Hz
	DP 1.4 HBR3	5120 x 2160 @60Hz
Двойно видео	DP 1.2 HBR2	3840 x 2160 @60Hz+
		3840 x 2160 @60Hz
	DP 1.4 HBR3	5120 x 2160 @60Hz+
		3840 x 2160 @60Hz

Windows USB-C (MFDP) хостове
1 × DP 2-лентов поток

	Графика на хост устройството	Резолюция
Едно видео (изберете един изход)	DP 1.2 HBR2	3840 x 2160 @30Hz
	DP 1.4 HBR3	3840 x 2160 @60Hz
	DP 1.4 HBR3 w/DSC	3840 x 2160 @30Hz
Двойно видео	Не се поддържа от хост машината	
Тройно видео	Не се поддържа от хост машината	

Инструкции за безопасност

- Не излагайте на влага и не потапяйте в течност.
- Съхранявайте на хладно и сухо място. Препоръчителна температура за съхранение: $-10^{\circ}\text{C}/14^{\circ}\text{F}$ до $70^{\circ}\text{C}/158^{\circ}\text{F}$; Работна температура: $0^{\circ}\text{C}/32^{\circ}\text{F}$ до $35^{\circ}\text{C}/95^{\circ}\text{F}$.
- Не разглобявайте и не се опитвайте да модифицирате продукта по никакъв начин.
- Спрете употребата и се свържете с производителя, ако продуктът е прекалено горещ, излъчва миризма, деформиран е или забележите други аномалии.
- Избягвайте силни вибрации, удари, притискане по време на транспорт и дръжте продукта далеч от силна слънчева светлина и дъжд.
- Изхвърляйте излезли от употреба продукти според местните разпоредби.
- Не почиствайте с вредни химикали или препарати.
- Дръжте далеч от деца под 3 години.
- Внимавайте за падания, удари, ожулвания или въздействия.

Информация за съответствие:

- Свържете захранващия кабел към контакт с заземяване.
- Оборудването е подходящо само за монтаж на височина ≤ 2 м.
- Когато оборудването е свързано към докинг станция чрез USB-C PD порт, то трябва да има огнеупорен корпус.
- Информацията за маркировката се намира на дъното на устройството.
- ErP декларация: Консумация на енергия в изключен режим $< 0,3$ W.

HR-Uvod

HyperDrive Next Thunderbolt 5 Dock pruža profesionalne performanse i proširenu povezanost za prijenosna računala s Thunderbolt 4 i 5. Podržava do tri proširena 4K144Hz zaslona ili jedan 8K144Hz izlaz, nudeći 10 svestranih priključaka, uključujući 2,5Gbps Ethernet, USB-A 10Gbps i 140W USB-C Power Delivery za brzo punjenje prijenosnog računala. Thunderbolt Share omogućuje brzo dijeljenje zaslona, datoteka i perifernih uređaja između računala, poboljšavajući suradnju. Dock je dizajniran za visokoučinkovita okruženja i izrađen od izdržljivog aluminijskog kućišta i 75% recikliranih materijala.

Sadržaj paketa

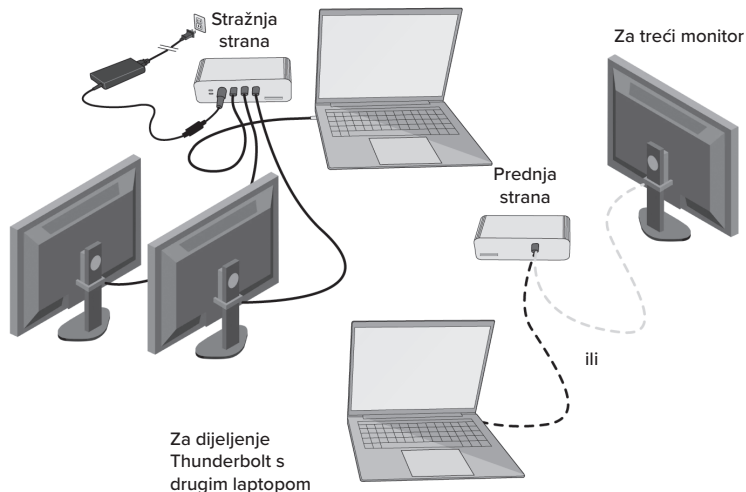
- HD2801GL Thunderbolt 5 priključna stanica
- 1 m USB-C Thunderbolt 5 kabel (80Gbps/120Gbps)
- 1 × 180W AC univerzalni adapter za napajanje
- Regionalni kabeli za napajanje
- Korisnički priručnik

Zahtjevi sustava

Hardver

- Thunderbolt 4 ili 5 ili drugi kompatibilni USB-C Alternate Mode Windows domaćin
- macOS 15 Sequoia potreban je za svaki Mac koji podržava HD2801 (uključujući nekoliko Mac računala s Thunderbolt 3 kompatibilnih s macOS 15).
- Punjenje od 140W zahtijeva kompatibilan domaćin koji podržava PD3.1 Extended Power Range (EPR). PD 3.0 Power Delivery do 100W za kompatibilne domaćine.

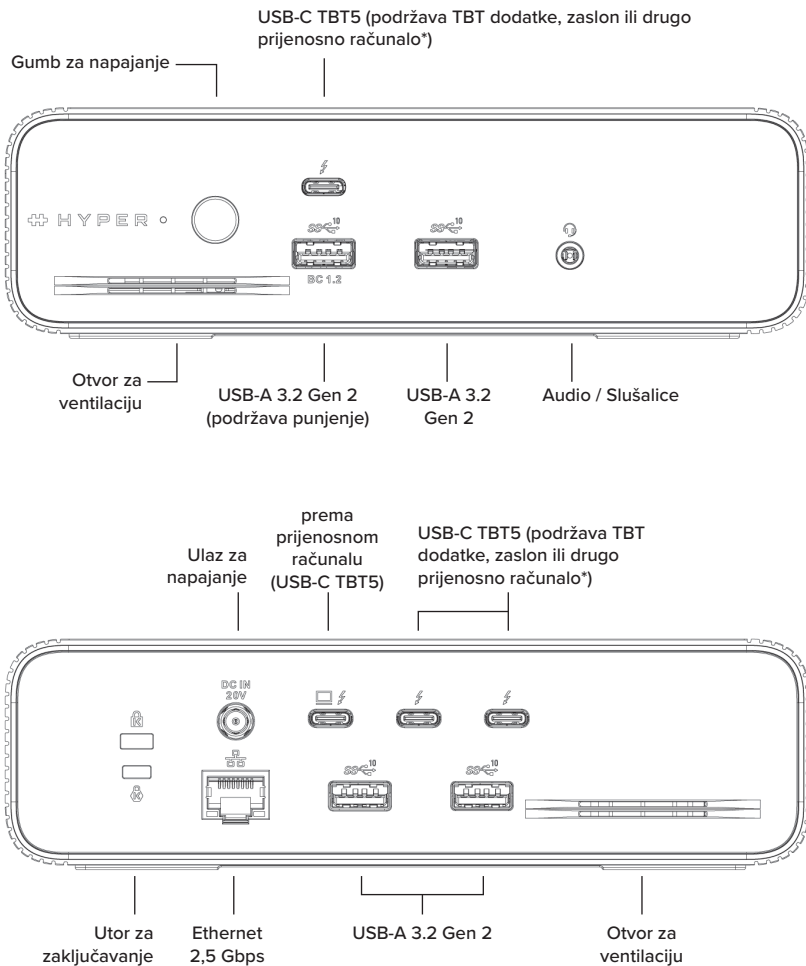
Postavljanje Radne Stanice



Specifikacija

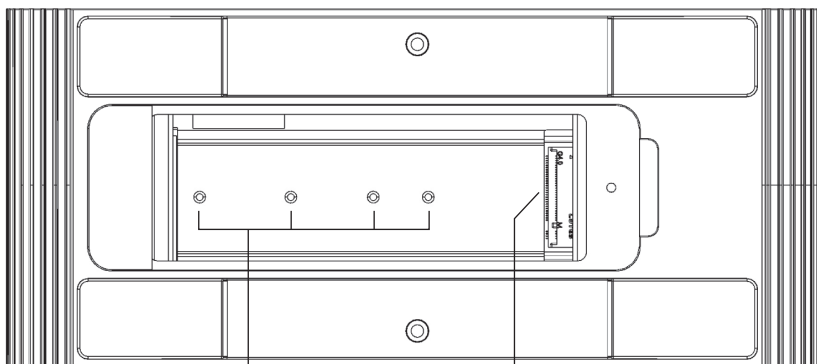
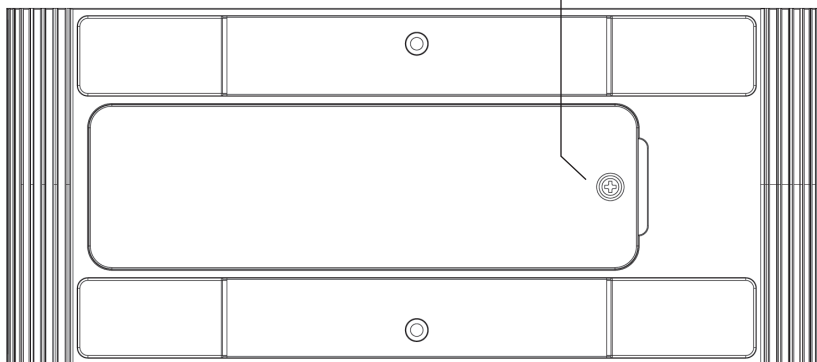
- 1× upstream Thunderbolt 5 port koji podržava brzine 80/120 Gb/s i Power Delivery 3.1 EPR 140 W
- 3× Thunderbolt 5 porta koji podržavaju brzine 80/120 Gb/s i Power Delivery 3.1 EPR 140 W
- 1× M.2 SSD utor (2230 / 2242 / 2260 / 2280 tip)
 - 4× PCIe 4.0 NVMe SSD u Thunderbolt načinu rada
 - 2× PCIe 3.0 NVMe SSD u MFDP načinu rada
- 3× USB-A portovi 10 Gb/s
- 1× USB-A port 10 Gb/s (podržava BC 1.2)
- 1× RJ45 Ethernet 2,5 Gb/s
- 1× audio port za slušalice 3,5 mm
- 1× utor za sigurnosni K zaključavanje
- 1× utor za sigurnosni K Nano zaključavanje

Dijagram priključne stanice



*Zahtijeva Thunderbolt Share

Vijak za uklanjanje poklopca M.2



Otvor za vijak za zaključavanje
M.2 uređaja

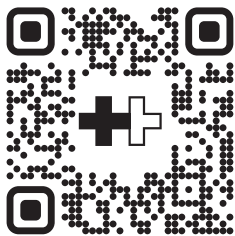
M.2 utičnica

Instalacija M.2 uređaja

1. Isključite priključnu stanicu i odspojite napajanje. Odspojite stanicu od glavnog uređaja i odspojite sve povezane uređaje s priključaka stanice.
2. Pristup M.2 utoru – Okrenite dock i uklonite vijak poklopca M.2 pomoću križnog odvijača.
3. Uklonite vijak za zaključavanje – Izvadite mali M.2 vijak za zaključavanje unutar utičnice.
4. Umetnite M.2 disk – Poravnajte disk s utorom, umetnite ga pod kutom, zatim pritisnite dolje i osigurajte vijkom za zaključavanje.
5. Ponovno postavite poklopac – Vratite poklopac M.2 i zategnite vijak.
6. Ponovno spojite sve povezane uređaje na priključke stanice, ponovno spojite napajanje, uključite stanicu i ponovno je spojite na glavni uređaj.

Video vodič za brzi početak

Skenirajte QR kôd kako biste pogledali naš video za postavljanje.



Podržane razlučivosti monitora

Windows Thunderbolt 5 hostovi

3 × DP 4-lane tokovi

	Grafika glavnog uređaja	Rezolucija
Jedan video (odaberite jedan izlaz)	DP 2.1 UHBR20	7680 x 4320 @60Hz
	DP 2.1 UHBR20 w/DSC	7680 x 4320 @144Hz
Dva videa (odaberite dva izlaza)	DP 2.1 UHBR20	7680 x 4320 @60Hz
	DP 2.1 UHBR20 w/DSC	7680 x 4320 @120Hz
Tri videa	DP 2.1 UHBR20	7680 x 4320 @30Hz
	DP 2.1 UHBR20 w/DSC	7680 x 4320 @60Hz

Windows Thunderbolt 4 hostovi

2 × DP 4-lane tokovi

	Grafika glavnog uređaja	Rezolucija
Jedan video (odaberite jedan izlaz)	DP 1.4 HBR3	7680 x 4320 @30Hz
	DP 1.4 HBR3 w/DSC	7680 x 4320 @60Hz
Dva videa (odaberite dva izlaza)	DP 1.4 HBR3	7680 x 4320 @30Hz+
		3840 x 2160 @30Hz
	DP 1.4 HBR3 w/DSC	7680 x 4320 @60Hz+
		3840 x 2160 @60Hz
Tri videa	Nije podržano na host računalu	

USB4 hostovi

1 × DP 4-lane tok

	Grafika glavnog uređaja	Rezolucija
Jedan video (odaberite jedan izlaz)	DP 1.4 HBR3	7680 x 4320 @30Hz
	DP 1.4 HBR3 w/DSC	7680 x 4320 @60Hz
	DP 2.1 UHBR20	7680 x 4320 @60Hz
	DP 2.1 UHBR20 w/DSC	7680 x 4320 @144Hz
Dva videa	Nije podržano na host računalu	
Tri videa	Nije podržano na host računalu	

Podržane razlučivosti monitora

MacBook Pro M1/M2/M3 Pro ili Max
MacBook Air/Pro M4 sve varijante
MacBook Air M3 (zatvoren poklopac)

	Grafika glavnog uređaja	Rezolucija
Jedan video (odaberite jedan izlaz)	DP 1.4 HBR3	6010 x 3384 @60Hz
	DP 1.4 HBR3 w/DSC	6010 x 3384 @60Hz
Dva videa (odaberite dva izlaza)	DP 1.4 HBR3	6010 x 3384 @60Hz+
		3840 x 2160 @60Hz
	DP 1.4 HBR3 w/DSC	6010 x 3384 @60Hz+
		3840 x 2160 @60Hz
Tri videa	Nije podržano na host računalu	

MacBook Air M1 / M2
1 × DP 4-lane tok

	Grafika glavnog uređaja	Rezolucija
Jedan video (odaberite jedan izlaz)	DP 1.4 HBR3	6010 x 3384 @60Hz
	DP 1.4 HBR3 w/DSC	6010 x 3384 @60Hz
Dva videa	Nije podržano na host računalu	
Tri videa	Nije podržano na host računalu	

Intel MacBook
2 × DP 4-lane tokovi

	Grafika glavnog uređaja	Rezolucija
Jedan video (odaberite jedan izlaz)	DP 1.2 HBR2	3840 x 2160 @60Hz
	DP 1.4 HBR3	5120 x 2160 @60Hz
Dva videa	DP 1.2 HBR2	3840 x 2160 @60Hz+
		3840 x 2160 @60Hz
	DP 1.4 HBR3	5120 x 2160 @60Hz+
		3840 x 2160 @60Hz

Windows USB-C (MFDP) hostovi
1 × DP 2-lane tok

	Grafika glavnog uređaja	Rezolucija
Jedan video (odaberite jedan izlaz)	DP 1.2 HBR2	3840 x 2160 @30Hz
	DP 1.4 HBR3	3840 x 2160 @60Hz
	DP 1.4 HBR3 w/DSC	3840 x 2160 @30Hz
Dva videa	Nije podržano na host računalu	
Tri videa	Nije podržano na host računalu	

Upute za sigurnost

- DNe izlagati vlazi niti uranjati u tekućinu.
- Čuvati na hladnom i suhom mjestu. Preporučena temperatura skladištenja: -10°C/14°F do 70°C/158°F; Radna temperatura: 0°C/32°F do 35°C/95°F.
- Ne rastavljajte niti pokušavajte mijenjati proizvod na bilo koji način.
- Prestanite koristiti i kontaktirajte proizvođača ako je proizvod pretjerano vruć, ispušta miris, deformiran je ili primijetite druge nepravilnosti.
- Izbjegavajte jake vibracije, udarce, pritisak tijekom transporta i držite proizvod dalje od jakog sunčevog svjetla i kiše.
- Odložite odbačene proizvode u skladu s lokalnim propisima.
- Ne čistite štetnim kemikalijama ili deterđentima.
- Držite dalje od djece mlađe od 3 godine.
- Pazite na padove, udarce, ogrebotine ili udare.

Informacije o sukladnosti:

- Spojite kabel za napajanje na utičnicu s uzemljenjem.
- Oprema je prikladna samo za montažu na visini ≤ 2 m.
- Kada je oprema spojena na priključnu stanicu putem USB-C PD porta, mora imati vatrootporno kućište.
- Informacije o oznakama nalaze se na dnu uređaja.
- ErP izjava: Potrošnja energije u isključenom načinu rada $< 0,3$ W.

HU-Bevezetés

A HyperDrive Next Thunderbolt 5 Dock professzionális teljesítményt és kibővített csatlakoztathatóságot biztosít Thunderbolt 4 és 5 laptopokhoz. Akár három 4K144Hz kijelzőt vagy egyetlen 8K144Hz kimenetet támogat, és 10 sokoldalú portot kínál, köztük 2,5Gbps Ethernetet, USB-A 10Gbps-t és 140W USB-C Power Delivery-t a gyors laptop töltéshez. A Thunderbolt Share lehetővé teszi a nagy sebességű képernyő-, fájl- és periféria-megosztást PC-k között, javítva az együttműködést. A dokkoló nagy teljesítményű környezetekhez készült, tartós alumínium házzal és 75%-ban újrahasznosított anyagokkal.

Csomag tartalma

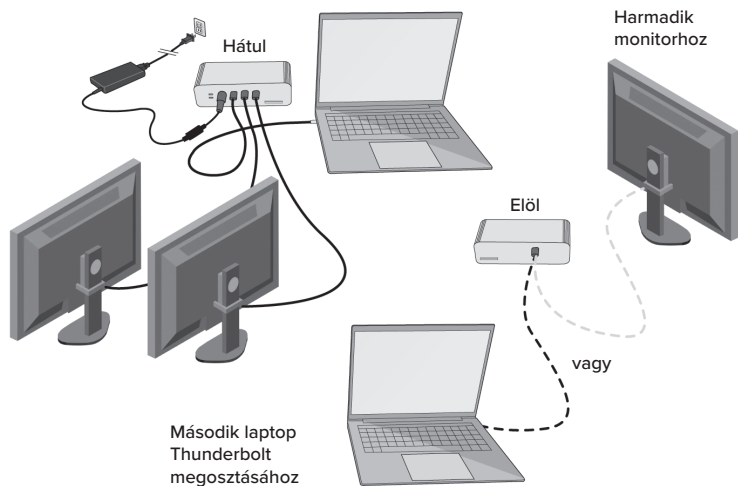
- HD2801GL Thunderbolt 5 dokkolóállomás
- 1 m USB-C Thunderbolt 5 kábel (80Gbps/120Gbps)
- 1 × 180W AC univerzális tápegység
- Regionális tápkábelek
- Felhasználói kézikönyv

Rendszerkövetelmények

Hardver

- Thunderbolt 4 vagy 5 vagy más kompatibilis USB-C Alternate Mode Windows gazdagép
- macOS 15 Sequoia szükséges minden Mac-hez, amely támogatja a HD2801-et (beleértve néhány macOS 15 kompatibilis Thunderbolt 3 Mac-et).
- 40W töltéshez kompatibilis gazdagép szükséges, amely támogatja a PD3.1 Extended Power Range (EPR)-t. PD 3.0 Power Delivery akár 100W-ig kompatibilis gazdagépeknél.

Munkaállomás Beállítása



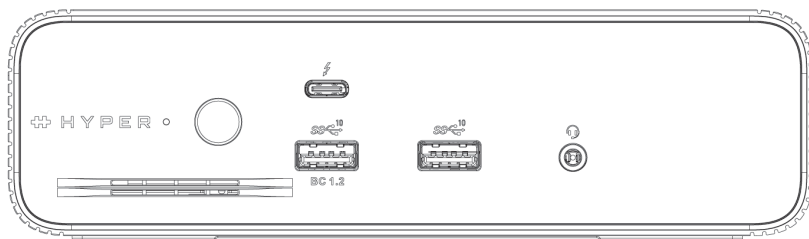
Specifikáció

- 1× upstream Thunderbolt 5 port, amely támogatja a 80/120 Gb/s sebességet és a Power Delivery 3.1 EPR 140 W-ot
- 3× Thunderbolt 5 port, amely támogatja a 80/120 Gb/s sebességet és a Power Delivery 3.1 EPR 140 W-ot
- 1× M.2 SSD foglalat (2230 / 2242 / 2260 / 2280 típus)
 - 4× PCIe 4.0 NVMe SSD Thunderbolt módban
 - 2× PCIe 3.0 NVMe SSD MFDP módban
- 3× USB-A 10 Gb/s port
- 1× USB-A 10 Gb/s port (BC 1.2 támogatással)
- 1× RJ45 Ethernet 2,5 Gb/s
- 1× 3,5 mm fejhallgató audio port
- 1× K biztonsági zárhely
- 1× K Nano biztonsági zárhely

Dokkoló állomás diagramja

USB-C TBT5 (TBT kiegészítőket, kijelzőt vagy második laptopot támogat*)

Bekapcsológomb



Szellőzőnyílás

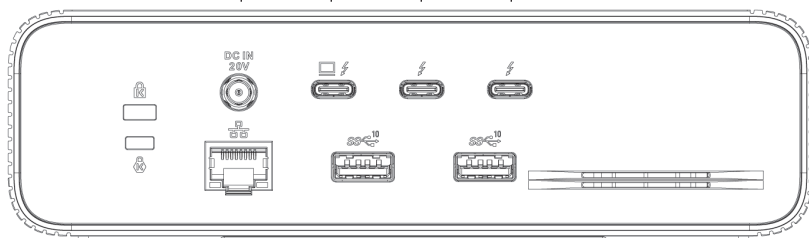
USB-A 3.2 Gen 2
(támogatja a töltést)

USB-A 3.2
Gen 2

Hang / Fejhallgató

Tápellátás
laptophoz
(USB-C TBT5)

USB-C TBT5 (TBT kiegészítőket,
kijelzőt vagy második laptopot
támogat*)



Zárhely

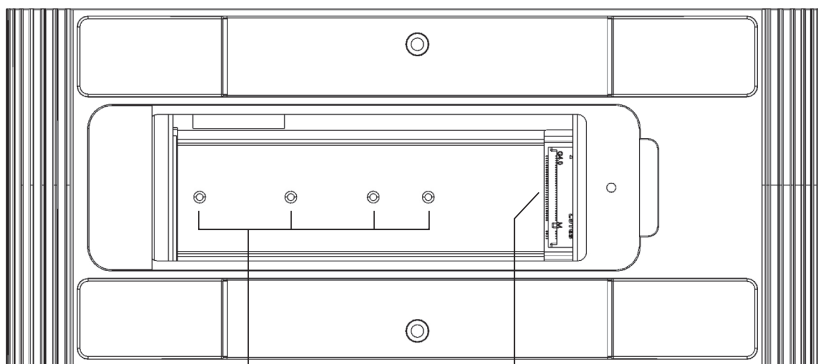
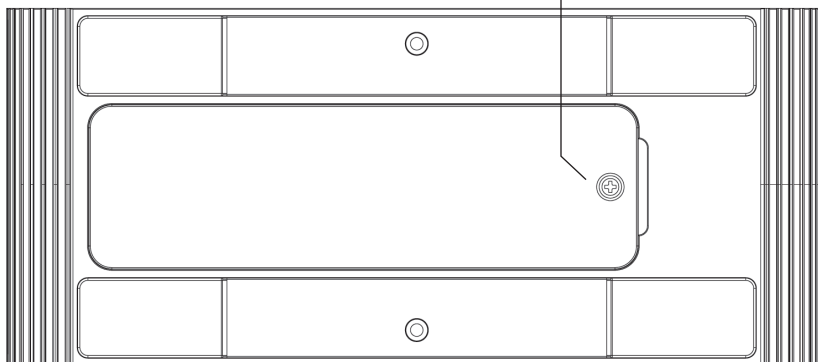
2,5 Gbps
Ethernet

USB-A 3.2 Gen 2

Szellőzőnyílás

*Thunderbolt Share szükséges

Csavar az M.2 fedél eltávolításához



Csavarnyílás az M.2 eszköz
rögzítéséhez

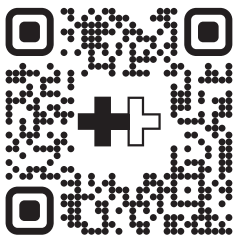
M.2 foglalat

M.2 eszköz telepítése

1. Kapcsolja KI a dokkolóállomást, és húzza ki a tápellátást. Válassza le a dokkolót a gazdaeszköztől, és húzza ki az összes csatlakoztatott eszközt a dokkoló portjairól.
2. Hozzáférés az M.2 foglalathoz – Fordítsa meg a dokkolót, és távolítsa el az M.2 fedél csavarját keresztfejű csavarhúzóval.
3. Rögzítőcsavar eltávolítása – Vegye ki a kis M.2 rögzítőcsavart a foglalatból.
4. Helyezze be az M.2 meghajtót – Igazítsa a meghajtót a nyílással, csúsztassa be szögben, majd nyomja le és rögzítse a csavarral.
5. Fedél visszaszerelése – Tegye vissza az M.2 fedelet és húzza meg a csavart.
6. Csatlakoztassa újra az összes eszközt a dokkoló portjaihoz, csatlakoztassa vissza a tápellátást, kapcsolja BE a dokkolót, majd csatlakoztassa újra a gazdaeszközhöz.

Gyorsindítási videó útmutató

Olvassa be a QR-kódot a beállítási videó megtekintéséhez.



Támogatott monitorfelbontások

Windows Thunderbolt 5 gazdagépek

3 × DP 4-sávós adatfolyam

	Gazdaeszköz grafika	Felbontás
Egyetlen videó (válasszon egy kimenetet)	DP 2.1 UHBR20	7680 x 4320 @60Hz
	DP 2.1 UHBR20 w/DSC	7680 x 4320 @144Hz
Kettős videó (válasszon két kimenetet)	DP 2.1 UHBR20	7680 x 4320 @60Hz
	DP 2.1 UHBR20 w/DSC	7680 x 4320 @120Hz
Hármas videó	DP 2.1 UHBR20	7680 x 4320 @30Hz
	DP 2.1 UHBR20 w/DSC	7680 x 4320 @60Hz

Windows Thunderbolt 4 gazdagépek

2 × DP 4-sávós adatfolyam

	Gazdaeszköz grafika	Felbontás
Egyetlen videó (válasszon egy kimenetet)	DP 1.4 HBR3	7680 x 4320 @30Hz
	DP 1.4 HBR3 w/DSC	7680 x 4320 @60Hz
Kettős videó (válasszon két kimenetet)	DP 1.4 HBR3	7680 x 4320 @30Hz+
		3840 x 2160 @30Hz
	DP 1.4 HBR3 w/DSC	7680 x 4320 @60Hz+
		3840 x 2160 @60Hz
Hármas videó	Nem támogatott a gazdagép által	

USB4 gazdagépek

1 × DP 4-sávós adatfolyam

	Gazdaeszköz grafika	Felbontás
Egyetlen videó (válasszon egy kimenetet)	DP 1.4 HBR3	7680 x 4320 @30Hz
	DP 1.4 HBR3 w/DSC	7680 x 4320 @60Hz
	DP 2.1 UHBR20	7680 x 4320 @60Hz
	DP 2.1 UHBR20 w/DSC	7680 x 4320 @144Hz
Kettős videó	Nem támogatott a gazdagép által	
Hármas videó	Nem támogatott a gazdagép által	

Támogatott monitorfelbontások

MacBook Pro M1/M2/M3 Pro vagy Max
MacBook Air/Pro M4 minden változat
MacBook Air M3 (zárt fedéllel)

	Gazdaeszköz grafika	Felbontás
Egyetlen videó (válasszon egy kimenetet)	DP 1.4 HBR3	6010 x 3384 @60Hz
	DP 1.4 HBR3 w/DSC	6010 x 3384 @60Hz
Kettős videó (válasszon két kimenetet)	DP 1.4 HBR3	6010 x 3384 @60Hz+
		3840 x 2160 @60Hz
	DP 1.4 HBR3 w/DSC	6010 x 3384 @60Hz+
		3840 x 2160 @60Hz
Hármas videó	Nem támogatott a gazdagép által	

MacBook Air M1 / M2
1 × DP 4-sávós adatfolyam

	Gazdaeszköz grafika	Felbontás
Egyetlen videó (válasszon egy kimenetet)	DP 1.4 HBR3	6010 x 3384 @60Hz
	DP 1.4 HBR3 w/DSC	6010 x 3384 @60Hz
Kettős videó	Nem támogatott a gazdagép által	
Hármas videó	Nem támogatott a gazdagép által	

Intel alapú MacBook
2 × DP 4-sávós adatfolyam

	Gazdaeszköz grafika	Felbontás
Egyetlen videó (válasszon egy kimenetet)	DP 1.2 HBR2	3840 x 2160 @60Hz
	DP 1.4 HBR3	5120 x 2160 @60Hz
Kettős videó	DP 1.2 HBR2	3840 x 2160 @60Hz+
		3840 x 2160 @60Hz
	DP 1.4 HBR3	5120 x 2160 @60Hz+
		3840 x 2160 @60Hz

Windows USB-C (MFDP) gazdagépek
1 × DP 2-sávós adatfolyam

	Gazdaeszköz grafika	Felbontás
Egyetlen videó (válasszon egy kimenetet)	DP 1.2 HBR2	3840 x 2160 @30Hz
	DP 1.4 HBR3	3840 x 2160 @60Hz
	DP 1.4 HBR3 w/DSC	3840 x 2160 @30Hz
Kettős videó	Nem támogatott a gazdagép által	
Hármas videó	Nem támogatott a gazdagép által	

Biztonsági utasítások

- Ne tegye ki nedvességnek, és ne merítse folyadékba.
- Hűvös, száraz helyen tárolja. Ajánlott tárolási hőmérséklet: $-10^{\circ}\text{C}/14^{\circ}\text{F}$ – $70^{\circ}\text{C}/158^{\circ}\text{F}$; Üzemi hőmérséklet: $0^{\circ}\text{C}/32^{\circ}\text{F}$ – $35^{\circ}\text{C}/95^{\circ}\text{F}$.
- Ne szerelje szét, és ne próbálja meg módosítani a terméket semmilyen módon.
- Hagyja abba a használatot, és vegye fel a kapcsolatot a gyártóval, ha a termék túl forró, szagot áraszt, deformálódott, vagy más rendellenességet észlel.
- Kerülje az erős rezgést, ütést, nyomást szállítás közben, és tartsa távol a terméket az erős napfénytől és esőtől.
- A leselejtezett termékeket a helyi előírásoknak megfelelően ártalmatlanítsa.
- Ne tisztítsa káros vegyszerekkel vagy tisztítószerekkel.
- Tartsa távol a 3 év alatti gyermekektől.
- Ügyeljen az esésekre, ütésekre, horzsolásokra vagy behatásokra.

Megfelelőségi információ:

- Csatlakoztassa a tápkábelt földelt aljzathoz.
- A berendezés csak ≤ 2 m magasságban történő szerelésre alkalmas.
- Ha a berendezés USB-C PD porton keresztül dokkolóállomáshoz csatlakozik, tűzálló burkolattal kell rendelkeznie.
- A jelölési információk a készülék alján találhatóak.
- ErP nyilatkozat: Kikapcsolt állapotban az energiafogyasztás $< 0,3$ W.

LT-Įvadas

HyperDrive Next Thunderbolt 5 Dock suteikia profesionalų našumą ir išplėstą jungiamumą Thunderbolt 4 ir 5 nešiojamiesiems kompiuteriams. Palaiko iki trijų išplėstų 4K144Hz ekranų arba vieną 8K144Hz išvestį, siūlydamas 10 universalių prievadų, įskaitant 2,5Gbps Ethernet, USB-A 10Gbps ir 140W USB-C Power Delivery greitam nešiojamojo kompiuterio įkrovimui. Thunderbolt Share leidžia greitai dalintis ekranu, failais ir periferiniais įrenginiais tarp kompiuterių, pagerindamas bendradarbiavimą. Ši stotelė sukurta didelio našumo aplinkoms ir pagaminta iš patvaraus aliuminio korpuso bei 75 % perdirbtų medžiagų.

Pakuotės turinys

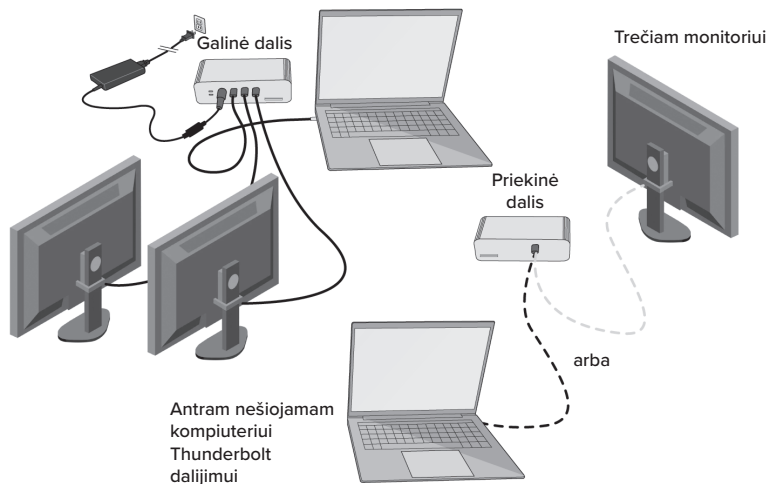
- „HD2801GL Thunderbolt 5“ doko stotis
- 1 m USB-C Thunderbolt 5 kabelis (80Gbps/120Gbps)
- 1 × 180W AC universalus maitinimo adapteris
- Regioniniai maitinimo laidai
- Naudotojo vadovas

Sistemos reikalavimai

Aparatinė įranga

- Thunderbolt 4 arba 5 arba kitas suderinamas USB-C Alternate Mode Windows kompiuteris
- macOS 15 Sequoia reikalinga bet kuriam Mac, palaikančiam HD2801 (įskaitant kelis macOS 15 suderinamus Thunderbolt 3 Mac).
- 140W įkrovimas reikalauja suderinamo kompiuterio, palaikančio PD3.1 Extended Power Range (EPR). PD 3.0 Power Delivery iki 100W suderinamiems kompiuteriams.

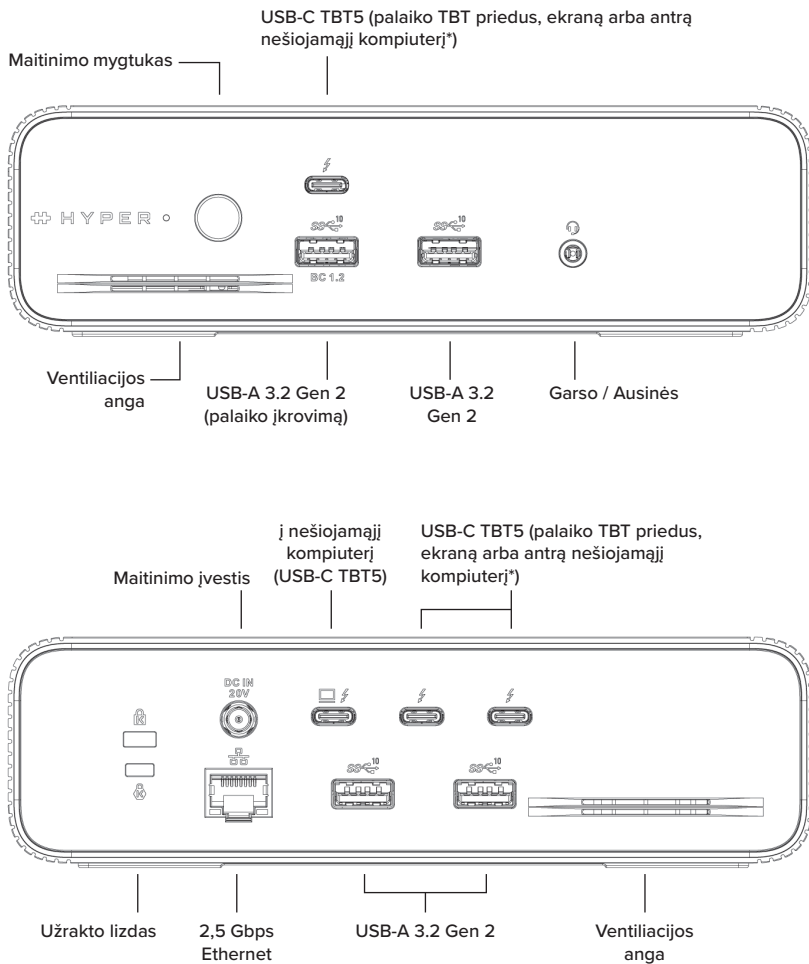
Darbo Stoties Nustatymas



Specifikacija

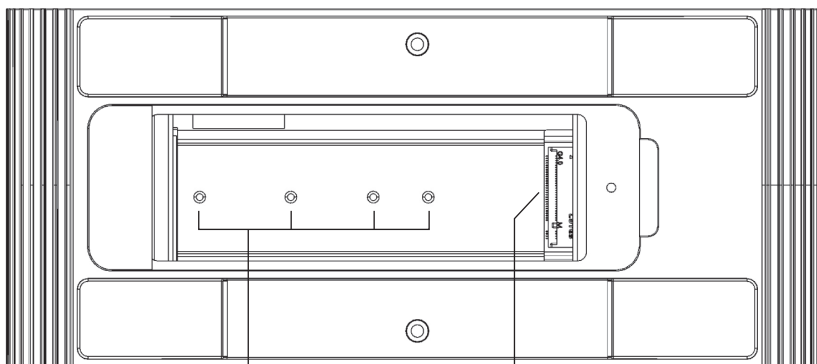
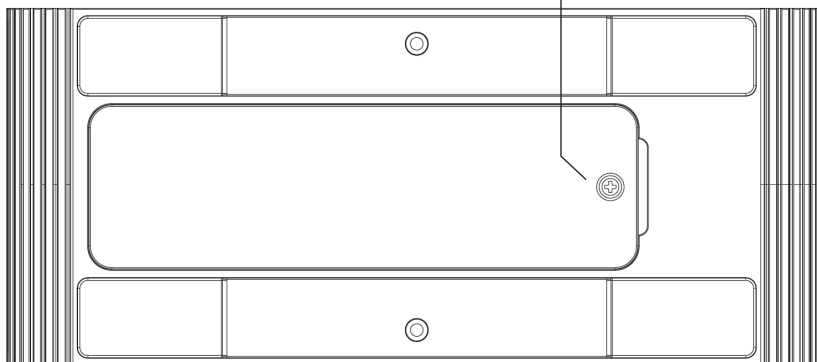
- 1× upstream Thunderbolt 5 prievadas, palaikantis 80/120 Gb/s greitį ir Power Delivery 3.1 EPR 140 W
- 3× Thunderbolt 5 prievada, palaikantys 80/120 Gb/s greitį ir Power Delivery 3.1 EPR 140 W
- 1× M.2 SSD lizdas (2230 / 2242 / 2260 / 2280 tipas)
 - 4× PCIe 4.0 NVMe SSD „Thunderbolt“ režimu
 - 2× PCIe 3.0 NVMe SSD MFDP režimu
- 3× USB-A 10 Gb/s prievada
- 1× USB-A 10 Gb/s prievadas (palaiko BC 1.2)
- 1× RJ45 Ethernet 2,5 Gb/s
- 1× 3,5 mm ausinių garso prievadas
- 1× K saugos užrakto lizdas
- 1× K Nano saugos užrakto lizdas

Dokavimo stoties schema



*Reikia Thunderbolt Share

Varžtas M.2 dangteliui nuimti



Varžto anga M.2 įrenginiui
užfiksuoti

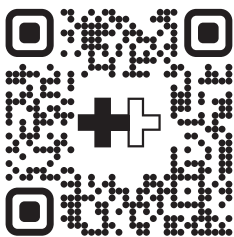
M.2 lizdas

M.2 įrenginio montavimas

1. Išjunkite doko stotį ir atjunkite maitinimą. Atjunkite doką nuo pagrindinio įrenginio ir atjunkite visus prijungtus įrenginius nuo doko prievadų.
2. Prieiga prie M.2 lizdo – Apverskite stotelę ir nuimkite M.2 dangtelio varžtą kryžminiu atsuktuvu.
3. Pašalinkite fiksavimo varžtą – Išimkite mažą M.2 fiksavimo varžtą iš lizdo.
4. Įdėkite M.2 diską – Suderinkite diską su lizdo išpjova, įstatykite kampu, tada paspauskite žemyn ir pritvirtinkite fiksavimo varžtu.
5. Uždėkite dangtelį – Uždėkite M.2 dangtelį ir priveržkite varžtą.
6. Iš naujo prijunkite visus įrenginius prie doko prievadų, vėl prijunkite maitinimą, įjunkite doką ir prijunkite jį prie pagrindinio įrenginio.

Greitojo paleidimo vaizdo vadovas

Nuskaitykite QR kodą ir peržiūrėkite mūsų nustatymo vaizdo įrašą.



Palaikomos monitorių raiškos

Windows Thunderbolt 5 pagrindiniai kompiuteriai

3 × DP 4 juostų srutai

	Pagrindinio įrenginio grafika	Raiška
Vienas vaizdo išėjimas (pasirinkite vieną)	DP 2.1 UHBR20	7680 x 4320 @60Hz
	DP 2.1 UHBR20 w/DSC	7680 x 4320 @144Hz
Dvigubas vaizdas (pasirinkite du išėjimus)	DP 2.1 UHBR20	7680 x 4320 @60Hz
	DP 2.1 UHBR20 w/DSC	7680 x 4320 @120Hz
Trigubas vaizdas	DP 2.1 UHBR20	7680 x 4320 @30Hz
	DP 2.1 UHBR20 w/DSC	7680 x 4320 @60Hz

Windows Thunderbolt 4 pagrindiniai kompiuteriai

2 × DP 4 juostų srutai

	Pagrindinio įrenginio grafika	Raiška
Vienas vaizdo išėjimas (pasirinkite vieną)	DP 1.4 HBR3	7680 x 4320 @30Hz
	DP 1.4 HBR3 w/DSC	7680 x 4320 @60Hz
Dvigubas vaizdas (pasirinkite du išėjimus)	DP 1.4 HBR3	7680 x 4320 @30Hz+
		3840 x 2160 @30Hz
	DP 1.4 HBR3 w/DSC	7680 x 4320 @60Hz+
		3840 x 2160 @60Hz
Trigubas vaizdas	Nepalaikoma pagrindinio kompiuterio	

USB4 pagrindiniai kompiuteriai

1 × DP 4 juostų srutas

	Pagrindinio įrenginio grafika	Raiška
Vienas vaizdo išėjimas (pasirinkite vieną)	DP 1.4 HBR3	7680 x 4320 @30Hz
	DP 1.4 HBR3 w/DSC	7680 x 4320 @60Hz
	DP 2.1 UHBR20	7680 x 4320 @60Hz
	DP 2.1 UHBR20 w/DSC	7680 x 4320 @144Hz
Dvigubas vaizdas	Nepalaikoma pagrindinio kompiuterio	
Trigubas vaizdas	Nepalaikoma pagrindinio kompiuterio	

Palaikomos monitorių raiškos

MacBook Pro M1/M2/M3 Pro arba Max

MacBook Air/Pro M4 visos versijos

MacBook Air M3 (uždarytu dangčiu)

	Pagrindinio įrenginio grafika	Raiška
Vienas vaizdo išėjimas (pasirinkite vieną)	DP 1.4 HBR3	6010 x 3384 @60Hz
	DP 1.4 HBR3 w/DSC	6010 x 3384 @60Hz
Dvigubas vaizdas (pasirinkite du išėjimus)	DP 1.4 HBR3	6010 x 3384 @60Hz+
		3840 x 2160 @60Hz
	DP 1.4 HBR3 w/DSC	6010 x 3384 @60Hz+
		3840 x 2160 @60Hz
Trigubas vaizdas	Nepalaikoma pagrindinio kompiuterio	

MacBook Air M1 / M2

1 × DP 4 juostų srutas

	Pagrindinio įrenginio grafika	Raiška
Vienas vaizdo išėjimas (pasirinkite vieną)	DP 1.4 HBR3	6010 x 3384 @60Hz
	DP 1.4 HBR3 w/DSC	6010 x 3384 @60Hz
Dvigubas vaizdas	Nepalaikoma pagrindinio kompiuterio	
Trigubas vaizdas	Nepalaikoma pagrindinio kompiuterio	

Intel pagrindu sukurtas MacBook

2 × DP 4 juostų srutai

	Pagrindinio įrenginio grafika	Raiška
Vienas vaizdo išėjimas (pasirinkite vieną)	DP 1.2 HBR2	3840 x 2160 @60Hz
	DP 1.4 HBR3	5120 x 2160 @60Hz
Dvigubas vaizdas	DP 1.2 HBR2	3840 x 2160 @60Hz+
		3840 x 2160 @60Hz
	DP 1.4 HBR3	5120 x 2160 @60Hz+
		3840 x 2160 @60Hz

Windows USB-C (MFDP) pagrindiniai kompiuteriai

1 × DP 2 juostų srutas

	Pagrindinio įrenginio grafika	Raiška
Vienas vaizdo išėjimas (pasirinkite vieną)	DP 1.2 HBR2	3840 x 2160 @30Hz
	DP 1.4 HBR3	3840 x 2160 @60Hz
	DP 1.4 HBR3 w/DSC	3840 x 2160 @30Hz
Dvigubas vaizdas	Nepalaikoma pagrindinio kompiuterio	
Trigubas vaizdas	Nepalaikoma pagrindinio kompiuterio	

Saugos instrukcijos

- Neeksponuokite drėgmei ir nemerkitė į skystį.
- Laikykitė vėsioje, sausoje vietoje. Rekomenduojama laikymo temperatūra: -10°C/14°F iki 70°C/158°F; Darbinė temperatūra: 0°C/32°F iki 35°C/95°F.
- Neskaidykite ir nebandykite modifikuoti gaminio jokia būdu.
- Nustokite naudoti ir susisiekitė su gamintoju, jei gaminys per daug įkaista, skleidžia kvapą, deformuojasi arba pastebite kitų anomalijų.
- Venkite stiprių vibracijų, smūgių, spaudimo transportuojant ir laikykite gaminį atokiau nuo intensyvios saulės šviesos ir lietaus.
- Išmeskite panaudotus gaminius pagal vietinius reikalavimus.
- Nevalykite kenksmingomis cheminėmis medžiagomis ar plovikliais.
- Laikykitė atokiau nuo vaikų iki 3 metų.
- Būkitė atsargūs dėl kritimų, smūgių, įbrėžimų ar poveikio.

Atitikties informacija:

- Įsitinkinkite, kad maitinimo laidas prijungtas prie įžemintos lizdo.
- Įranga tinkama montuoti tik ≤ 2 m aukštyje.
- Kai įranga prijungiama prie dokavimo stoties per USB-C PD priedadą, ji turi turėti ugniai atsparų korpusą.
- Žymėjimo informacija yra įrenginio apačioje.
- ErP pareiškimas: Energijos suvartojimas išjungus < 0,3 W.

RO-Introducere

HyperDrive Next Thunderbolt 5 Dock oferă performanță profesională și conectivitate extinsă pentru laptopuri Thunderbolt 4 și 5. Suportă până la trei ecrane extinse 4K144Hz sau o singură ieșire 8K144Hz, oferind 10 porturi versatile, inclusiv Ethernet 2,5Gbps, USB-A 10Gbps și USB-C Power Delivery de 140W pentru încărcare rapidă a laptopului. Thunderbolt Share permite partajarea rapidă a ecranului, fișierelor și perifericelor între PC-uri, îmbunătățind fluxurile de lucru colaborative. Dock-ul este proiectat pentru medii de înaltă performanță și este construit dintr-o carcasă durabilă din aluminiu și 75% materiale reciclate.

Conținutul pachetului

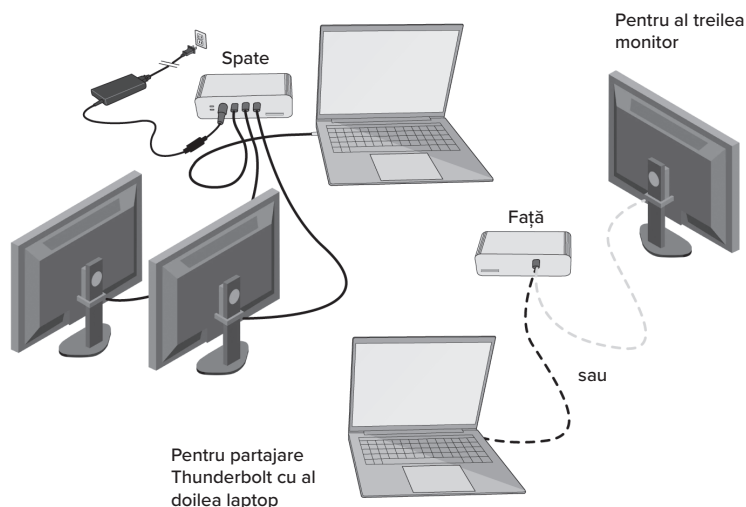
- Stație de andocare Thunderbolt 5 HD2801GL
- Cablu USB-C Thunderbolt 5 de 1 m (80Gbps/120Gbps)
- 1 × Adaptor de alimentare AC universal de 180W
- Cabluri de alimentare regionale
- Ghidul utilizatorului

Cerințe de sistem

Hardware

- Thunderbolt 4 sau 5 sau alt mod USB-C Alternate Mode compatibil pentru Windows
- macOS 15 Sequoia este necesar pentru orice Mac care acceptă HD2801 (inclusiv câteva Mac-uri Thunderbolt 3 compatibile cu macOS 15).
- Încărcarea de 140W necesită un dispozitiv gazdă compatibil care acceptă PD3.1 Extended Power Range (EPR). PD 3.0 Power Delivery până la 100W pentru dispozitive compatibile.

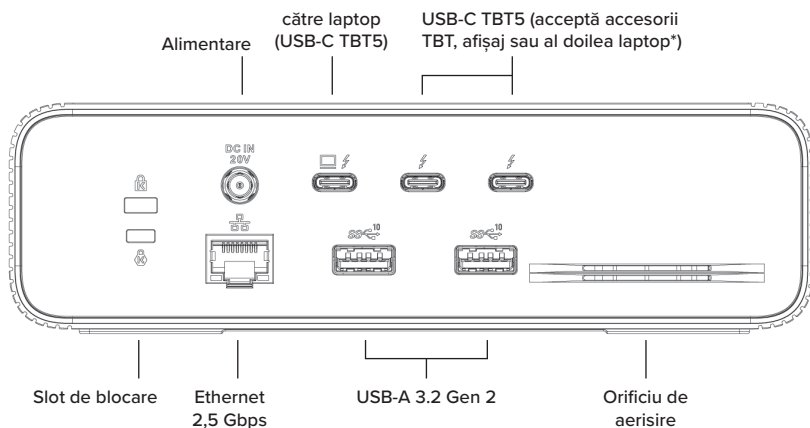
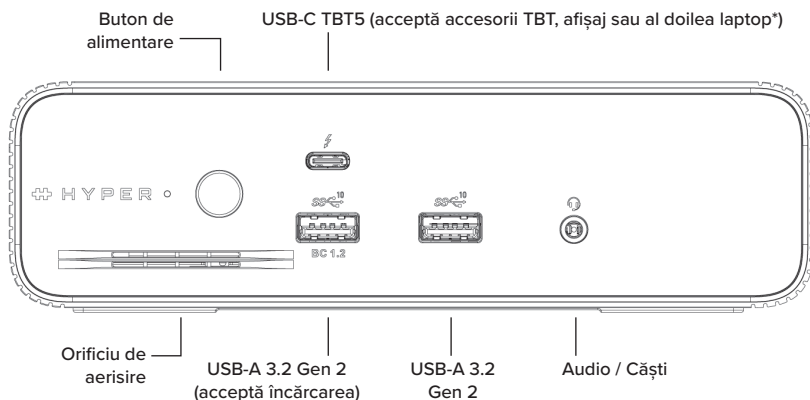
Configurare Stație de Lucru



Specificații

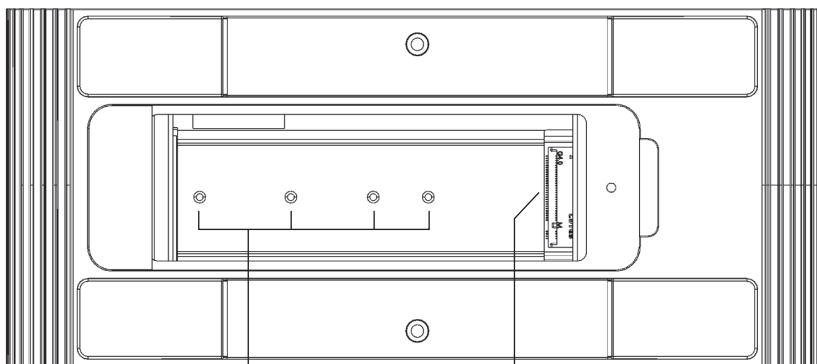
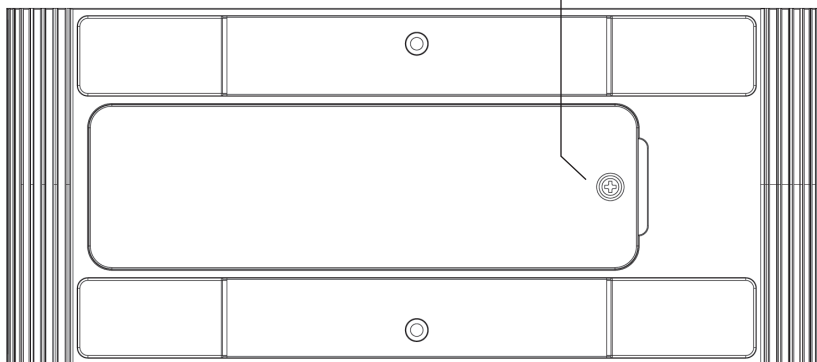
- 1× port Thunderbolt 5 upstream care suportă viteze de 80/120 Gb/s și Power Delivery 3.1 EPR 140 W
- 3× porturi Thunderbolt 5 care suportă viteze de 80/120 Gb/s și Power Delivery 3.1 EPR 140 W
- 1× slot M.2 SSD (2230 / 2242 / 2260 / 2280 tip)
 - 4× SSD NVMe PCIe 4.0 în modul Thunderbolt
 - 2× SSD NVMe PCIe 3.0 în modul MFDP
- 3× porturi USB-A 10 Gb/s
- 1× port USB-A 10 Gb/s (suportă BC 1.2)
- 1× RJ45 Ethernet 2,5 Gb/s
- 1× port audio pentru căști 3,5 mm
- 1× slot pentru blocare de securitate K
- 1× slot pentru blocare de securitate K Nano

Diagrama stației de andocare



*Necesită Thunderbolt Share

Șurub pentru îndepărtarea capacului M.2



Orificiu pentru șurub pentru
blocarea dispozitivului M.2

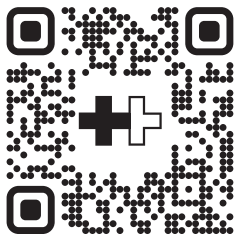
Soclu M.2

Instalarea dispozitivului M.2

1. Opriți stația de andocare și deconectați alimentarea. Deconectați dock-ul de la dispozitivul gazdă și deconectați toate dispozitivele conectate de la porturile dock-ului.
2. Acces la slotul M.2 – Întoarceți stația și scoateți șurubul capacului M.2 cu o șurubelniță Phillips.
3. Scoateți șurubul de blocare – Îndepărtați șurubul mic de blocare M.2 din soclu.
4. Introduceți unitatea M.2 – Aliniați unitatea cu creștătura slotului, introduceți-o oblic, apoi apăsați în jos și fixați cu șurubul de blocare.
5. Reinstalați capacul – Puneți la loc capacul M.2 și strângeți șurubul.
6. 6. Reconectați toate dispozitivele la porturile dock-ului, reconectați alimentarea, porniți dock-ul și reconectați-l la dispozitivul gazdă.

Ghid video de pornire rapidă

Scanați codul QR pentru a urmări videoclipul nostru de configurare.



Rezoluții de monitor acceptate

Gazde Windows Thunderbolt 5

3 × fluxuri DP cu 4 linii

	Grafică dispozitiv gazdă	Rezoluție
Video unic (alegeți o ieșire)	DP 2.1 UHBR20	7680 x 4320 @60Hz
	DP 2.1 UHBR20 w/DSC	7680 x 4320 @144Hz
Video dublu (alegeți două ieșiri)	DP 2.1 UHBR20	7680 x 4320 @60Hz
	DP 2.1 UHBR20 w/DSC	7680 x 4320 @120Hz
Video triplu	DP 2.1 UHBR20	7680 x 4320 @30Hz
	DP 2.1 UHBR20 w/DSC	7680 x 4320 @60Hz

Gazde Windows Thunderbolt 4

2 × fluxuri DP cu 4 linii

	Grafică dispozitiv gazdă	Rezoluție
Video unic (alegeți o ieșire)	DP 1.4 HBR3	7680 x 4320 @30Hz
	DP 1.4 HBR3 w/DSC	7680 x 4320 @60Hz
Video dublu (alegeți două ieșiri))	DP 1.4 HBR3	7680 x 4320 @30Hz+
		3840 x 2160 @30Hz
	DP 1.4 HBR3 w/DSC	7680 x 4320 @60Hz+
		3840 x 2160 @60Hz
Video triplu	Nu este suportat de mașina gazdă	

Gazde USB4

1 × flux DP cu 4 linii

	Grafică dispozitiv gazdă	Rezoluție
Video unic (alegeți o ieșire)	DP 1.4 HBR3	7680 x 4320 @30Hz
	DP 1.4 HBR3 w/DSC	7680 x 4320 @60Hz
	DP 2.1 UHBR20	7680 x 4320 @60Hz
	DP 2.1 UHBR20 w/DSC	7680 x 4320 @144Hz
Video dublu	Nu este suportat de mașina gazdă	
Video triplu	Nu este suportat de mașina gazdă	

Rezoluții de monitor acceptate

MacBook Pro M1/M2/M3 Pro sau Max
MacBook Air/Pro M4 toate variantele
MacBook Air M3 (cu capacul închis)

	Grafică dispozitiv gazdă	Rezoluție
Video unic (alegeți o ieșire)	DP 1.4 HBR3	6010 x 3384 @60Hz
	DP 1.4 HBR3 w/DSC	6010 x 3384 @60Hz
Video dublu (alegeți două ieșiri)	DP 1.4 HBR3	6010 x 3384 @60Hz+
		3840 x 2160 @60Hz
	DP 1.4 HBR3 w/DSC	6010 x 3384 @60Hz+
		3840 x 2160 @60Hz
Video triplu	Nu este suportat de mașina gazdă	

MacBook Air M1 / M2
1 × flux DP cu 4 linii

	Grafică dispozitiv gazdă	Rezoluție
Single Video (choose any one output)	DP 1.4 HBR3	6010 x 3384 @60Hz
	DP 1.4 HBR3 w/DSC	6010 x 3384 @60Hz
Video dublu	Nu este suportat de mașina gazdă	
Video triplu	Nu este suportat de mașina gazdă	

MacBook bazat pe Intel
2 × fluxuri DP cu 4 linii

	Grafică dispozitiv gazdă	Rezoluție
Video unic (alegeți o ieșire)	DP 1.2 HBR2	3840 x 2160 @60Hz
	DP 1.4 HBR3	5120 x 2160 @60Hz
Video dublu	DP 1.2 HBR2	3840 x 2160 @60Hz+
		3840 x 2160 @60Hz
	DP 1.4 HBR3	5120 x 2160 @60Hz+
		3840 x 2160 @60Hz

Gazde Windows USB-C (MFDP)
1 × flux DP cu 2 linii

	Grafică dispozitiv gazdă	Rezoluție
Video unic (alegeți o ieșire)	DP 1.2 HBR2	3840 x 2160 @30Hz
	DP 1.4 HBR3	3840 x 2160 @60Hz
	DP 1.4 HBR3 w/DSC	3840 x 2160 @30Hz
Video dublu	Nu este suportat de mașina gazdă	
Video triplu	Nu este suportat de mașina gazdă	

Instrucțiuni de siguranță

- Nu expuneți la umiditate și nu scufundați în lichid.
- Depozitați într-un loc răcoros și uscat. Temperatura recomandată pentru depozitare: -10°C/14°F până la 70°C/158°F; Temperatura de funcționare: 0°C/32°F până la 35°C/95°F.
- Nu demontați și nu încercați să modificați produsul în niciun fel.
- Opriti utilizarea și contactați producătorul dacă produsul este excesiv de fierbinte, emană miros, este deformat sau observați alte anomalii.
- Evitați vibrațiile puternice, impactul, presiunea în timpul transportului și țineți produsul departe de lumina solară intensă și ploaie.
- Eliminați produsele uzate conform reglementărilor locale.
- Nu curățați cu substanțe chimice dăunătoare sau detergenți.
- Țineți departe de copiii sub 3 ani.
- Fiți atenți la căderi, lovituri, abraziuni sau impacturi.

Informații de conformitate:

- Asigurați-vă că conectați cablul de alimentare la o priză cu împământare.
- Echipamentul este potrivit doar pentru montare la înălțimi ≤ 2 m.
- Când echipamentul este conectat la stația de andocare prin portul USB-C PD, acesta trebuie să aibă carcasă ignifugă.
- Informațiile de marcare se află în partea de jos a aparatului.
- Declarație ErP: Consum de energie în modul oprit < 0,3 W.

SK-Úvod

HyperDrive Next Thunderbolt 5 Dock poskytuje profesionálny výkon a rozšírenú konektivitu pre notebooky s Thunderbolt 4 a 5. Podporuje až tri rozšírené displeje 4K144Hz alebo jeden výstup 8K144Hz a ponúka 10 univerzálnych portov vrátane 2,5Gbps Ethernetu, USB-A 10Gbps a 140W USB-C Power Delivery na rýchle nabíjanie notebooku. Funkcia Thunderbolt Share umožňuje vysokorychlostné zdieľanie obrazovky, súborov a periférií medzi počítačmi, čím zlepšuje spoluprácu. Dok je navrhnutý pre prostredia s vysokým výkonom a je vyrobený z odolného hliníkového krytu a 75 % recyklovaných materiálov.

Obsah balenia

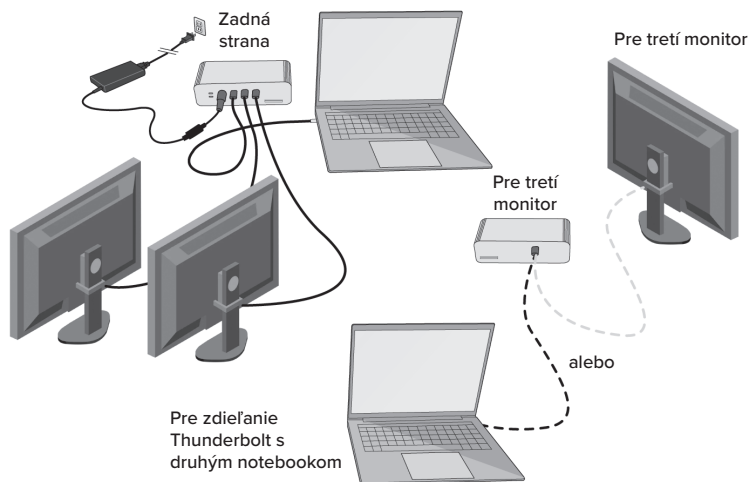
- Dokovacia stanica Thunderbolt 5 HD2801GL
- 1 m USB-C Thunderbolt 5 kábel (80Gbps/120Gbps)
- 1 × 180W AC univerzálny napájací adaptér
- Regionálne napájacie káble
- Používateľská príručka

Systémové požiadavky

Hardvér

- Thunderbolt 4 alebo 5 alebo iný kompatibilný USB-C Alternate Mode Windows hostiteľ
- macOS 15 Sequoia je potrebný pre každý Mac podporujúci HD2801 (vrátane niektorých Mac s Thunderbolt 3 kompatibilných s macOS 15).
- Nabíjanie 140W vyžaduje kompatibilný hostiteľ podporujúci PD3.1 Extended Power Range (EPR). PD 3.0 Power Delivery až do 100W pre kompatibilné hosty.

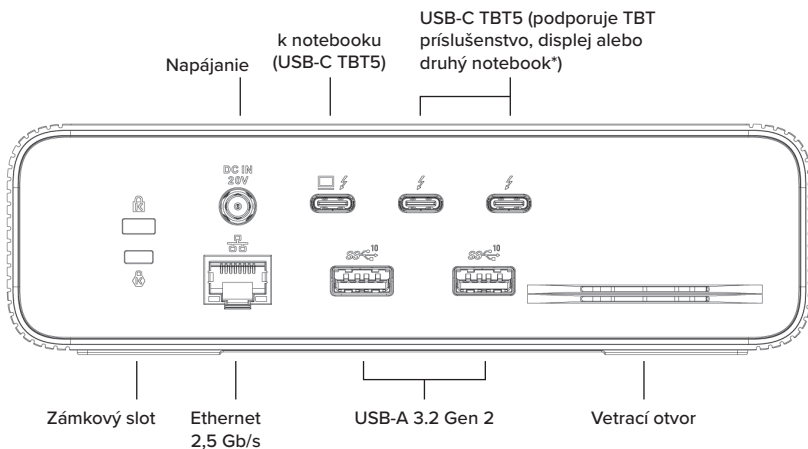
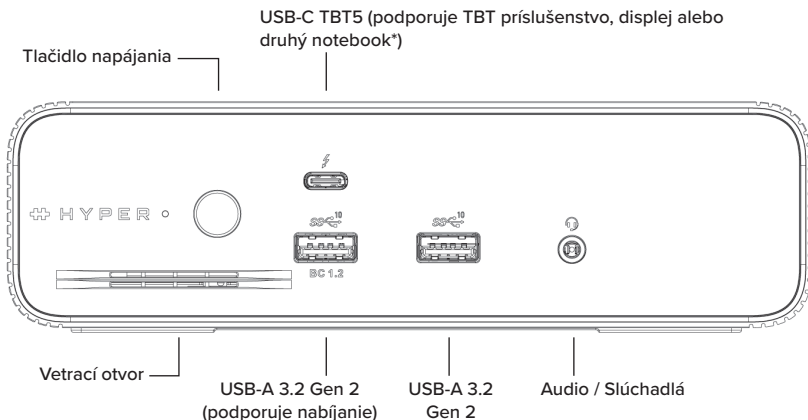
Nastavenie pracovnej stanice



Špecifikácia

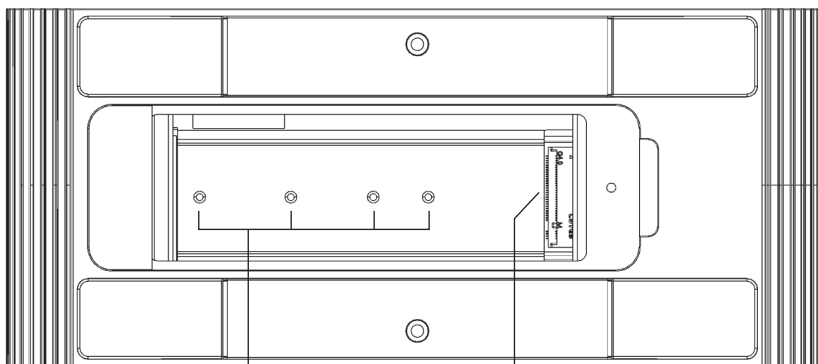
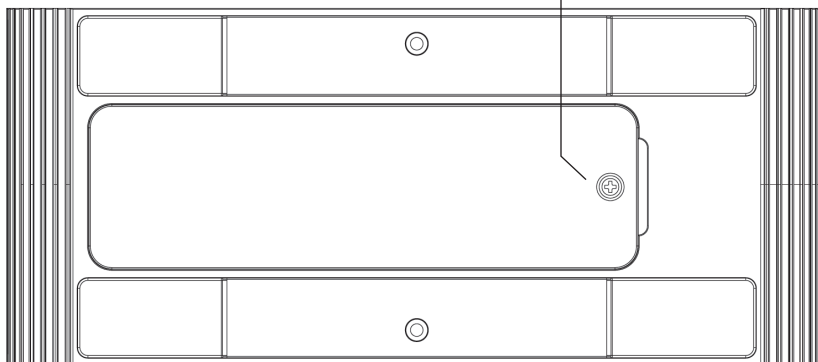
- 1× upstream Thunderbolt 5 port podporujúci rýchlosti 80/120 Gb/s a Power Delivery 3.1 EPR 140 W
- 3× Thunderbolt 5 porty podporujúce rýchlosti 80/120 Gb/s a Power Delivery 3.1 EPR 140 W
- 1× slot M.2 SSD (2230 / 2242 / 2260 / 2280 typ)
 - 4× PCIe 4.0 NVMe SSD v režime Thunderbolt
 - 2× PCIe 3.0 NVMe SSD v režime MFDP
- 3× USB-A porty 10 Gb/s
- 1× USB-A port 10 Gb/s (podporuje BC 1.2)
- 1× RJ45 Ethernet 2,5 Gb/s
- 1× 3,5 mm audio port pre slúchadlá
- 1× slot pre bezpečnostný zámok K
- 1× slot pre bezpečnostný zámok K Nano

Schéma dokovacej stanice



*Vyžaduje Thunderbolt Share

Skrutka na odstránenie krytu M.2



Otvor na skrutku na uzamknutie zariadenia M.2

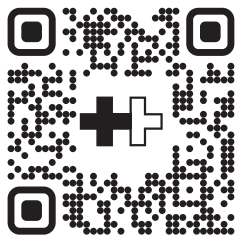
Zásuvka M.2

Inštalácia zariadenia M.2

1. Vypnite dokovaciu stanicu a odpojte napájanie. Odpojte dok od hostiteľského zariadenia a odpojte všetky pripojené zariadenia z portov doku.
2. Prístup k slotu M.2 – Otočte stanicu a odstráňte skrutku krytu M.2 pomocou krížového skrutkovača.
3. Odstránenie uzamykacej skrutky – Vyberte malú uzamykaciu skrutku M.2 vo vnútri zásuvky.
4. Vloženie disku M.2 – Zarovnajte disk s výrezom v slotu, zasuňte ho pod uhlom, potom stlačte nadol a zaistite uzamykacou skrutkou.
5. Opätovná montáž krytu – Vráťte kryt M.2 a utiahnite skrutku.
6. 6. Znova pripojte všetky pripojené zariadenia k portom doku, znova pripojte napájanie, zapnite dok a znova pripojte dok k hostiteľskému zariadeniu.

Rýchly štart – video sprievodca

Naskenujte QR kód a pozrite si naše inštaláčne video.



Podporované rozlíšenia monitorov

Windows Thunderbolt 5 hosty

3 × DP 4-lane prúdy

	Grafika hostiteľského zariadenia	Rozlíšenie
Jedno video (vyberte jeden výstup)	DP 2.1 UHBR20	7680 x 4320 @60Hz
	DP 2.1 UHBR20 w/DSC	7680 x 4320 @144Hz
Dvojité video (vyberte dva výstupy)	DP 2.1 UHBR20	7680 x 4320 @60Hz
	DP 2.1 UHBR20 w/DSC	7680 x 4320 @120Hz
Trojité video	DP 2.1 UHBR20	7680 x 4320 @30Hz
	DP 2.1 UHBR20 w/DSC	7680 x 4320 @60Hz

Windows Thunderbolt 4 hosty

2 × DP 4-lane prúdy

	Grafika hostiteľského zariadenia	Rozlíšenie
Jedno video (vyberte jeden výstup)	DP 1.4 HBR3	7680 x 4320 @30Hz
	DP 1.4 HBR3 w/DSC	7680 x 4320 @60Hz
Dvojité video (vyberte dva výstupy)	DP 1.4 HBR3	7680 x 4320 @30Hz+
		3840 x 2160 @30Hz
	DP 1.4 HBR3 w/DSC	7680 x 4320 @60Hz+
		3840 x 2160 @60Hz
Trojité video	Nepodporované hostiteľským počítačom	

USB4 hosty

1 × DP 4-lane prúd

	Grafika hostiteľského zariadenia	Rozlíšenie
Jedno video (vyberte jeden výstup)	DP 1.4 HBR3	7680 x 4320 @30Hz
	DP 1.4 HBR3 w/DSC	7680 x 4320 @60Hz
	DP 2.1 UHBR20	7680 x 4320 @60Hz
	DP 2.1 UHBR20 w/DSC	7680 x 4320 @144Hz
Dvojité video	Nepodporované hostiteľským počítačom	
Trojité video	Nepodporované hostiteľským počítačom	

Podporované rozlíšenia monitorov

MacBook Pro M1/M2/M3 Pro alebo Max
MacBook Air/Pro M4 všetky varianty
MacBook Air M3 (so zatvoreným krytom)

	Grafika hostiteľského zariadenia	Rozlíšenie
Jedno video (vyberte jeden výstup)	DP 1.4 HBR3	6010 x 3384 @60Hz
	DP 1.4 HBR3 w/DSC	6010 x 3384 @60Hz
Dvojité video (vyberte dva výstupy)	DP 1.4 HBR3	6010 x 3384 @60Hz+
		3840 x 2160 @60Hz
	DP 1.4 HBR3 w/DSC	6010 x 3384 @60Hz+
		3840 x 2160 @60Hz
Trojité video	Nepodporované hostiteľským počítačom	

MacBook Air M1 / M2
1 × DP 4-lane prúd

	Grafika hostiteľského zariadenia	Rozlíšenie
Jedno video (vyberte jeden výstup)	DP 1.4 HBR3	6010 x 3384 @60Hz
	DP 1.4 HBR3 w/DSC	6010 x 3384 @60Hz
Dvojité video	Nepodporované hostiteľským počítačom	
Trojité video	Nepodporované hostiteľským počítačom	

Intel MacBook
2 × DP 4-lane prúdy

	Grafika hostiteľského zariadenia	Rozlíšenie
Jedno video (vyberte jeden výstup)	DP 1.2 HBR2	3840 x 2160 @60Hz
	DP 1.4 HBR3	5120 x 2160 @60Hz
Dvojité video	DP 1.2 HBR2	3840 x 2160 @60Hz+
		3840 x 2160 @60Hz
	DP 1.4 HBR3	5120 x 2160 @60Hz+
		3840 x 2160 @60Hz

Windows USB-C (MFDP) hosty
1 × DP 2-lane prúd

	Grafika hostiteľského zariadenia	Rozlíšenie
Jedno video (vyberte jeden výstup)	DP 1.2 HBR2	3840 x 2160 @30Hz
	DP 1.4 HBR3	3840 x 2160 @60Hz
	DP 1.4 HBR3 w/DSC	3840 x 2160 @30Hz
Dvojité video	Nepodporované hostiteľským počítačom	
Trojité video	Nepodporované hostiteľským počítačom	

Bezpečnostné pokyny

- Nevystavujte vlhkosti ani neponárajte do kvapaliny.
- Skladujte na chladnom a suchom mieste. Odporúčaná teplota skladovania: -10°C/14°F až 70°C/158°F; Prevádzková teplota: 0°C/32°F až 35°C/95°F.
- Nerozoberajte ani sa nepokúšajte produkt akokoľvek upravovať.
- Prestaňte používať a kontaktujte výrobcu, ak je produkt nadmerne horúci, vydáva zápach, je deformovaný alebo ak spozorujete iné nezvyčajné stavy.
- Vyhnite sa silným vibráciám, nárazom, stlačeniu pri preprave a chráňte produkt pred intenzívnym slnečným žiarením a dažďom.
- Zlikvidujte vyradené produkty v súlade s miestnymi predpismi.
- Nečistite škodlivými chemikáliami alebo čistiacimi prostriedkami.
- Uchovávajte mimo dosahu detí mladších ako 3 roky.
- Dávajte pozor na pády, nárazy, odreniny alebo údery.

Informácie o zhode:

- Pripojte napájací kábel do zásuvky s uzemnením.
- Zariadenie je vhodné iba na montáž vo výške ≤ 2 m.
- Ak je zariadenie pripojené k dokovacej stanici cez USB-C PD port, musí mať ohňovzdorný kryt.
- Informácie o označení sa nachádzajú na spodnej strane zariadenia.
- Vyhlásenie ErP: Spotreba energie v režime vypnutia $< 0,3$ W.

SL-Uvod

HyperDrive Next Thunderbolt 5 Dock zagotavlja profesionalno zmogljivost in razširjeno povezljivost za prenosnike Thunderbolt 4 in 5. Podpira do tri razširjene zaslone 4K144Hz ali en izhod 8K144Hz ter ponuja 10 vsestranskih priključkov, vključno z 2,5Gbps Ethernetom, USB-A 10Gbps in 140W USB-C Power Delivery za hitro polnjenje prenosnika. Thunderbolt Share omogoča hitro deljenje zaslona, datotek in perifernih naprav med računalniki, kar izboljšuje sodelovanje. Dock je zasnovan za okolja z visoko zmogljivostjo in je izdelan iz trpežnega aluminijastega ohišja ter 75 % recikliranih materialov.

Vsebina paketa

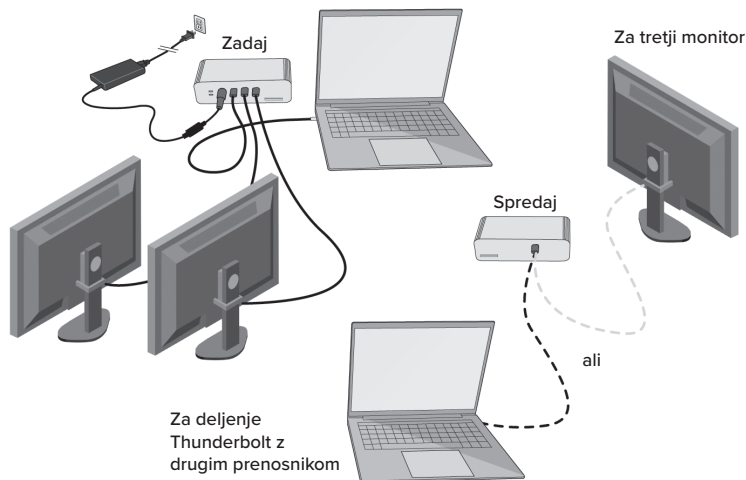
- Priklopna postaja Thunderbolt 5 HD2801GL
- 1 m USB-C Thunderbolt 5 kabel (80Gbps/120Gbps)
- 1 × 180W AC univerzalni napajalnik
- Regionalni napajalni kabli
- Uporabniški priročnik

Sistemske zahteve

Strojna oprema

- Thunderbolt 4 ali 5 ali drug združljiv USB-C Alternate Mode Windows gostitelj
- macOS 15 Sequoia je potreben za vsak Mac, ki podpira HD2801 (vključno z nekaterimi Mac napravami s Thunderbolt 3, združljivimi z macOS 15).
- Polnjenje 140W zahteva združljiv gostitelj, ki podpira PD3.1 Extended Power Range (EPR). PD 3.0 Power Delivery do 100W za združljive gostitelje.

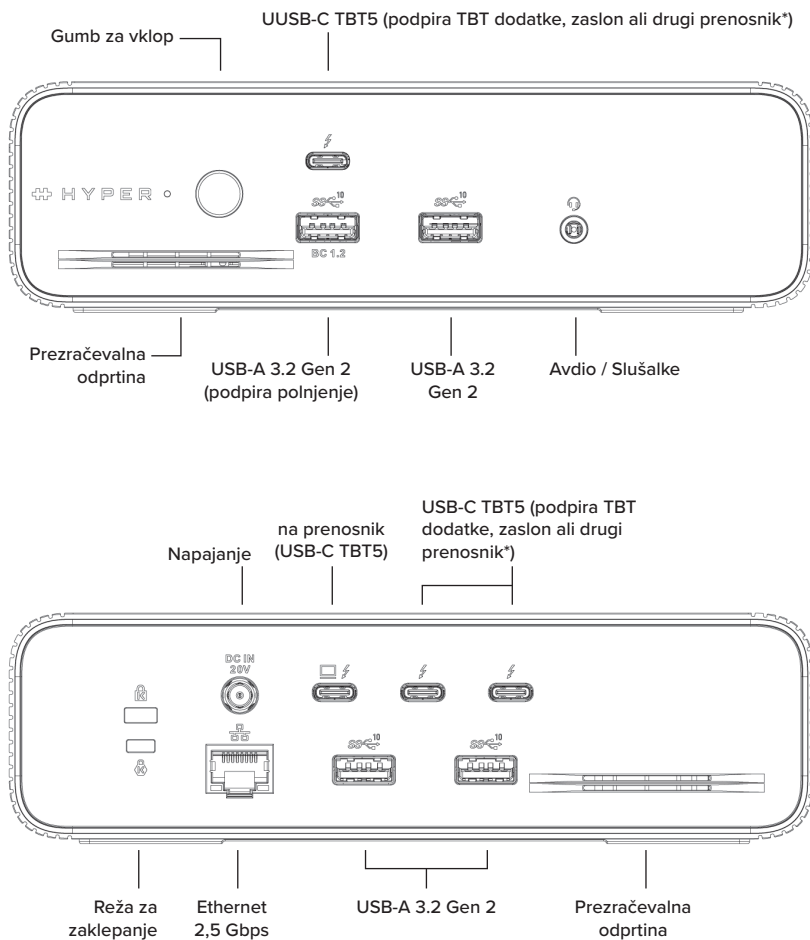
Nastavitev Delovne Postaje



Specifikacija

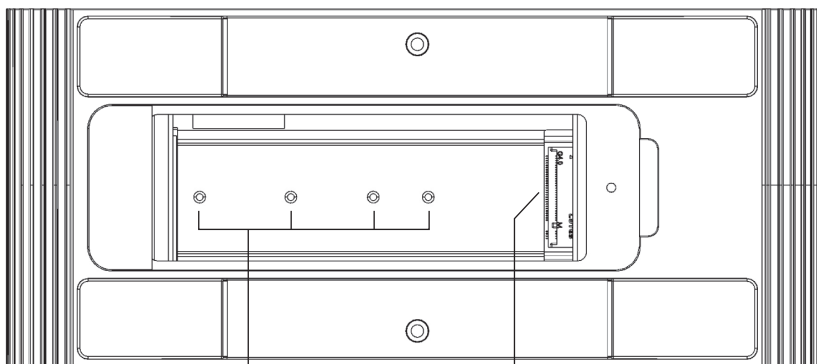
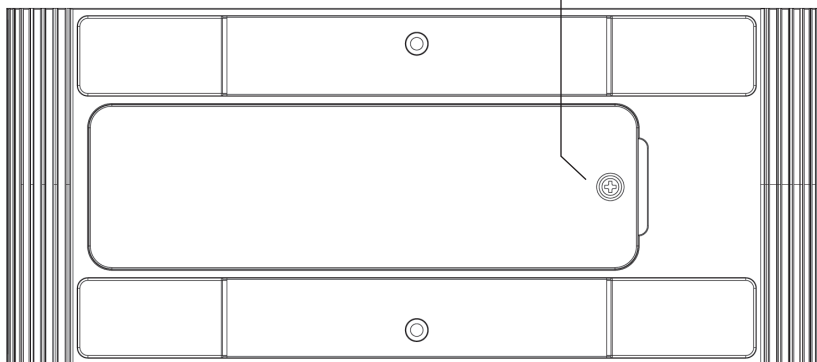
- 1× upstream Thunderbolt 5 priključek, ki podpira hitrosti 80/120 Gb/s in Power Delivery 3.1 EPR 140 W
- 3× Thunderbolt 5 priključki, ki podpirajo hitrosti 80/120 Gb/s in Power Delivery 3.1 EPR 140 W
- 1× M.2 SSD reža (2230 / 2242 / 2260 / 2280 tip)
 - 4× PCIe 4.0 NVMe SSD v načinu Thunderbolt
 - 2× PCIe 3.0 NVMe SSD v načinu MFDP
- 3× USB-A priključki 10 Gb/s
- 1× USB-A priključek 10 Gb/s (podpira BC 1.2)
- 1× RJ45 Ethernet 2,5 Gb/s
- 1× 3,5 mm avdio priključek za slušalke
- 1× reža za varnostno ključavnico K
- 1× reža za varnostno ključavnico K Nano

Diagram priklopne postaje



*Zahteva Thunderbolt Share

Vijak za odstranitev pokrova M.2



Luknja za vijak za zaklepanje
naprave M.2

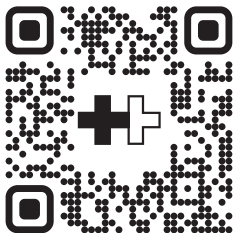
Vtičnica M.2

Namestitev naprave M.2

1. Izklopite priklopno postajo in odklopite napajanje. Odklopite postajo od gostiteljske naprave in odklopite vse priključene naprave z vrat postaje.
2. Dostop do reže M.2 – Obrnite postajo in odstranite vijak pokrova M.2 s križnim izvijačem.
3. Odstranitev zaklepnega vijaka – Odstranite majhen zaklepni vijak M.2 znotraj vtičnice.
4. Vstavite M.2 pogon – Poravnajte pogon z zarezo v reži, vstavite ga pod kotom, nato pritisnite navzdol in pritrdite z zaklepnim vijakom.
5. Ponovna namestitev pokrova – Namestite pokrov M.2 nazaj in privijte vijak.
6. 6. Ponovno priklopite vse naprave na vrata postaje, ponovno priklopite napajanje, vklopite postajo in jo ponovno povežite z gostiteljsko napravo.

Videovodnik za hitri začetek

Skenirajte kodo QR za ogled našega videa za nastavitev.



Podprte ločljivosti monitorjev

Windows Thunderbolt 5 gostitelji

3 × DP 4-lane tokovi

	Grafika gostitelja	Ločljivost
Enojni video (izberite en izhod)	DP 2.1 UHBR20	7680 x 4320 @60Hz
	DP 2.1 UHBR20 w/DSC	7680 x 4320 @144Hz
Dvojni video (izberite dva izhoda)	DP 2.1 UHBR20	7680 x 4320 @60Hz
	DP 2.1 UHBR20 w/DSC	7680 x 4320 @120Hz
Trojni video	DP 2.1 UHBR20	7680 x 4320 @30Hz
	DP 2.1 UHBR20 w/DSC	7680 x 4320 @60Hz

Windows Thunderbolt 4 gostitelji

2 × DP 4-lane tokovi

	Grafika gostitelja	Ločljivost
Enojni video (izberite en izhod)	DP 1.4 HBR3	7680 x 4320 @30Hz
	DP 1.4 HBR3 w/DSC	7680 x 4320 @60Hz
Dvojni video (izberite dva izhoda)	DP 1.4 HBR3	7680 x 4320 @30Hz+
		3840 x 2160 @30Hz
	DP 1.4 HBR3 w/DSC	7680 x 4320 @60Hz+
		3840 x 2160 @60Hz
Trojni video	Ni podprto na gostitelju	

USB4 gostitelji

1 × DP 4-lane tok

	Grafika gostitelja	Ločljivost
Enojni video (izberite en izhod)	DP 1.4 HBR3	7680 x 4320 @30Hz
	DP 1.4 HBR3 w/DSC	7680 x 4320 @60Hz
	DP 2.1 UHBR20	7680 x 4320 @60Hz
	DP 2.1 UHBR20 w/DSC	7680 x 4320 @144Hz
Dvojni video	Ni podprto na gostitelju	
Trojni video	Ni podprto na gostitelju	

Podprte ločljivosti monitorjev

MacBook Pro M1/M2/M3 Pro ali Max
MacBook Air/Pro M4 vse različice
MacBook Air M3 (z zaprtim pokrovom)

	Grafika gostitelja	Ločljivost
Enojni video (izberite en izhod)	DP 1.4 HBR3	6010 x 3384 @60Hz
	DP 1.4 HBR3 w/DSC	6010 x 3384 @60Hz
Dvojni video (izberite dva izhoda)	DP 1.4 HBR3	6010 x 3384 @60Hz+
		3840 x 2160 @60Hz
	DP 1.4 HBR3 w/DSC	6010 x 3384 @60Hz+
		3840 x 2160 @60Hz
Trojni video	Ni podprto na gostitelju	

MacBook Air M1 / M2

1 × DP 4-lane tok

	Grafika gostitelja	Ločljivost
Enojni video (izberite en izhod)	DP 1.4 HBR3	6010 x 3384 @60Hz
	DP 1.4 HBR3 w/DSC	6010 x 3384 @60Hz
Dvojni video	Ni podprto na gostitelju	
Trojni video	Ni podprto na gostitelju	

Intel MacBook

2 × DP 4-lane tokovi

	Grafika gostitelja	Ločljivost
Enojni video (izberite en izhod)	DP 1.2 HBR2	3840 x 2160 @60Hz
	DP 1.4 HBR3	5120 x 2160 @60Hz
Dvojni video	DP 1.2 HBR2	3840 x 2160 @60Hz+
		3840 x 2160 @60Hz
	DP 1.4 HBR3	5120 x 2160 @60Hz+
		3840 x 2160 @60Hz

Windows USB-C (MFDP) gostitelji

1 × DP 2-lane tok

	Grafika gostitelja	Ločljivost
Enojni video (izberite en izhod)	DP 1.2 HBR2	3840 x 2160 @30Hz
	DP 1.4 HBR3	3840 x 2160 @60Hz
	DP 1.4 HBR3 w/DSC	3840 x 2160 @30Hz
Dvojni video	Ni podprto na gostitelju	
Trojni video	Ni podprto na gostitelju	

Varnostna navodila

- DNe izpostavljajte vlagi in ne potaplajte v tekočino.
- Shranjujte na hladnem in suhem mestu. Priporočena temperatura shranjevanja: -10°C/14°F do 70°C/158°F; Delovna temperatura: 0°C/32°F do 35°C/95°F.
- Ne razstavljajte in ne poskušajte spreminjati izdelka na kakršen koli način.
- Prenehajte z uporabo in se obrnite na proizvajalca, če je izdelek pretirano vroč, oddaja vonj, je deformiran ali opazite druge nepravilnosti.
- Izogibajte se močnim vibracijam, udarcem, pritisku med transportom in izdelek hranite stran od močne sončne svetlobe in dežja.
- Odvrzite zavržene izdelke v skladu z lokalnimi predpisi.
- Ne čistite s škodljivimi kemikalijami ali detergenti.
- Hranite izven dosega otrok, mlajših od 3 let.
- Bodite previdni pri padcih, udarcih, odrgninah ali vplivih.

Informacije o skladnosti:

- Priključite napajalni kabel v vtičnico z ozemljitvijo.
- Oprema je primerna samo za montažo na višini ≤ 2 m.
- Ko je oprema priključena na priključno postajo prek USB-C PD priključka, mora imeti ognjevarno ohišje.
- Informacije o označevanju se nahajajo na spodnji strani naprave.
- Izjava ErP: Poraba energije v izklopljenem načinu < 0,3 W.

LV-ievads

HyperDrive Next Thunderbolt 5 Dock nodrošina profesionālu veiktspēju un paplašinātu savienojamību Thunderbolt 4 un 5 klēpj datoriem. Tas atbalsta līdz trim paplašinātiem 4K144Hz displejiem vai vienu 8K144Hz izvadi, piedāvājot 10 daudzpusīgus portus, tostarp 2,5Gbps Ethernet, USB-A 10Gbps un 140W USB-C Power Delivery ātrai klēpj datora uzlādei. Thunderbolt Share ļauj ātri koplietot ekrānu, failus un perifērijas ierīces starp datoriem, uzlabojot sadarbību. Šī dokstacija ir izstrādāta augstas veiktspējas vidēm un izgatavota no izturīga alumīnija korpusa un 75 % pārstrādātu materiālu.

Iepakojuma saturs

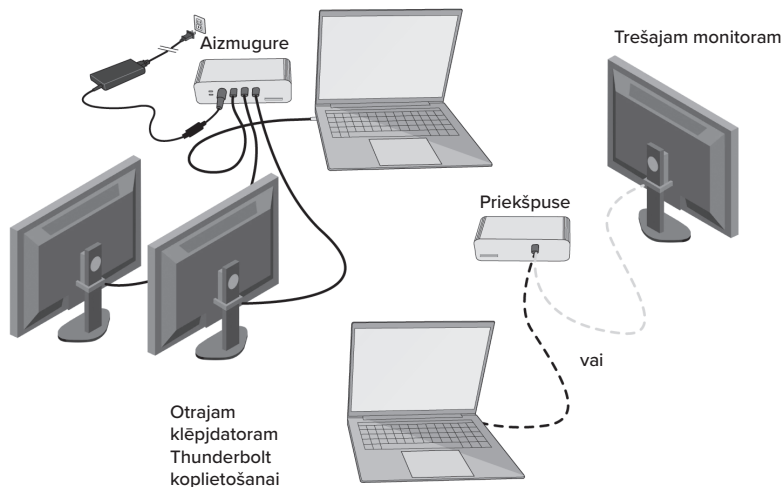
- Thunderbolt 5 dokstacija HD2801GL
- 1 m USB-C Thunderbolt 5 kabelis (80Gbps/120Gbps)
- 1 × 180W AC universāls strāvas adapteris
- Reģionālie strāvas vadi
- Lietotāja rokasgrāmata

Sistēmas prasības

Aparatūra

- Thunderbolt 4 vai 5 vai cits saderīgs USB-C Alternate Mode Windows resursdators
- macOS 15 Sequoia nepieciešams jebkuram Mac, kas atbalsta HD2801 (ieskaitot dažus Thunderbolt 3 Mac, kas ir saderīgi ar macOS 15).
- 140W uzlādei nepieciešams saderīgs resursdators, kas atbalsta PD3.1 Extended Power Range (EPR). PD 3.0 Power Delivery līdz 100W saderīgiem resursdatoriem.

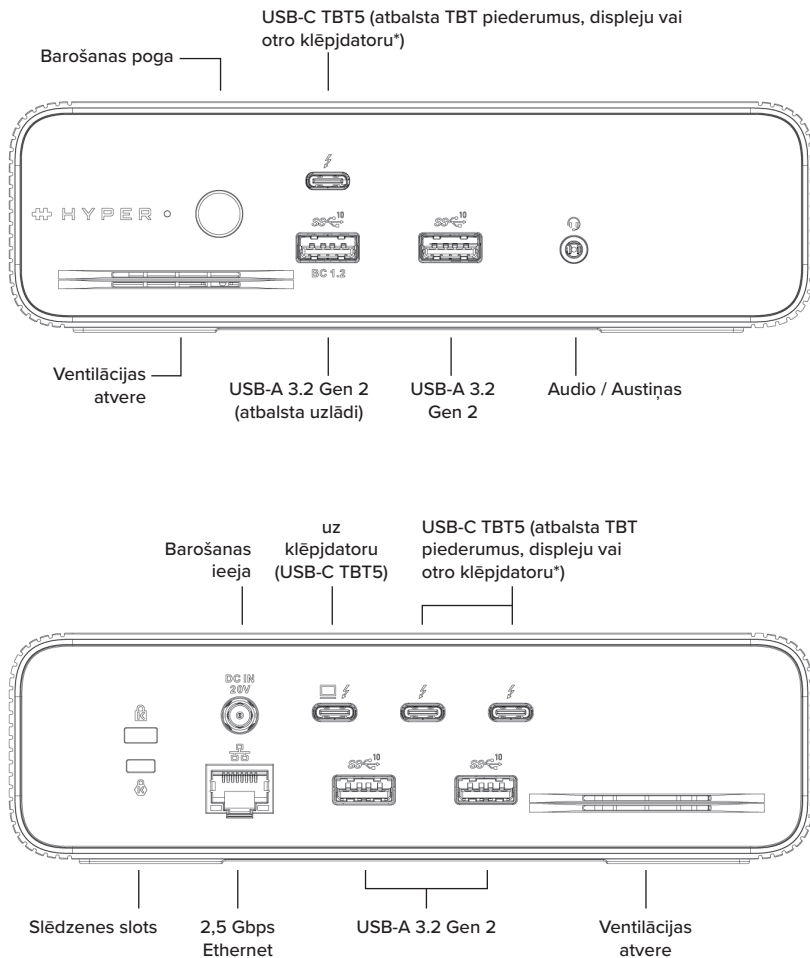
Darbstacijas iestatīšana



Specifikācija

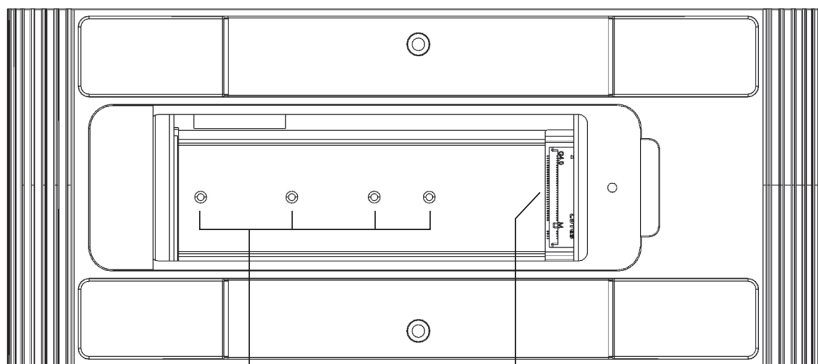
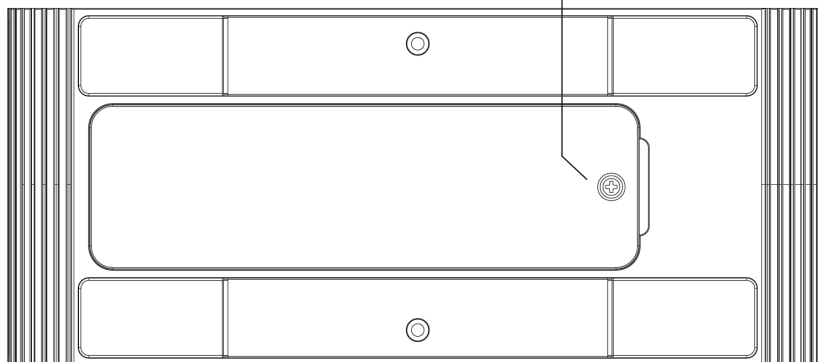
- 1× upstream Thunderbolt 5 ports, kas atbalsta ātrumu 80/120 Gb/s un Power Delivery 3.1 EPR 140 W
- 3× Thunderbolt 5 porti, kas atbalsta ātrumu 80/120 Gb/s un Power Delivery 3.1 EPR 140 W
- 1× M.2 SSD slots (2230 / 2242 / 2260 / 2280 tips)
 - 4× PCIe 4.0 NVMe SSD Thunderbolt režīmā
 - 2× PCIe 3.0 NVMe SSD MFD P režīmā
- 3× USB-A 10 Gb/s porti
- 1× USB-A 10 Gb/s ports (atbalsta BC 1.2)
- 1× RJ45 Ethernet 2,5 Gb/s
- 1× 3,5 mm austiņu audio ports
- 1× K drošības slota
- 1× K Nano drošības slota

Dokstacijas shēma



*Nepieciešams Thunderbolt Share

Skrūve M.2 vāka noņemšanai



Skrūves atvere M.2 ierīces
fiksēšanai

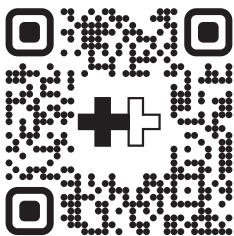
M.2 ligzda

M.2 ierīces uzstādīšana

1. Izslēdziet dokstaciju un atvienojiet strāvas padevi. Atvienojiet doku no resursdatora un atvienojiet visas pievienotās ierīces no doka pieslēgvietām.
2. Piekļuve M.2 slotam – Apgrieziet dokstaciju un noņemiet M.2 vāka skrūvi ar krusta skrūvgriezi.
3. Noņemiet fiksācijas skrūvi – Izņemiet mazo M.2 fiksācijas skrūvi ligzdas iekšpusē.
4. Ievietojiet M.2 disku – Saskaņojiet disku ar spraugas izgriezumu, ievietojiet to leņķī, pēc tam piespiediet uz leju un nostipriniet ar fiksācijas skrūvi.
5. Uzstādiet vāku atpakaļ – Uzlieciet M.2 vāku un pievelciet skrūvi.
6. Atkārtoti pievienojiet visas ierīces doka pieslēgvietām, atjaunojiet strāvas padevi, ieslēdziet doku un atkārtoti pievienojiet to resursdatoram.

Ātrās palaišanas video ceļvedis

Noskenējiet QR kodu, lai noskatītos mūsu iestatīšanas video.



Atbalstītās monitora izšķirtspējas

Windows Thunderbolt 5 resursdatori

3 × DP 4-lane straumes

	Resursdatora grafika	Izšķirtspēja
Viens video (izvēlieties vienu izeju)	DP 2.1 UHBR20	7680 x 4320 @60Hz
	DP 2.1 UHBR20 w/DSC	7680 x 4320 @144Hz
Divi video (izvēlieties divas izejas)	DP 2.1 UHBR20	7680 x 4320 @60Hz
	DP 2.1 UHBR20 w/DSC	7680 x 4320 @120Hz
Trīs video	DP 2.1 UHBR20	7680 x 4320 @30Hz
	DP 2.1 UHBR20 w/DSC	7680 x 4320 @60Hz

Windows Thunderbolt 4 resursdatori

2 × DP 4-lane straumes

	Resursdatora grafika	Izšķirtspēja
Viens video (izvēlieties vienu izeju)	DP 1.4 HBR3	7680 x 4320 @30Hz
	DP 1.4 HBR3 w/DSC	7680 x 4320 @60Hz
Divi video (izvēlieties divas izejas)	DP 1.4 HBR3	7680 x 4320 @30Hz+
		3840 x 2160 @30Hz
	DP 1.4 HBR3 w/DSC	7680 x 4320 @60Hz+
		3840 x 2160 @60Hz
Trīs video	Nav atbalstīts resursdatora datorā	

USB4 resursdatori

1 × DP 4-lane straume

	Resursdatora grafika	Izšķirtspēja
Viens video (izvēlieties vienu izeju)	DP 1.4 HBR3	7680 x 4320 @30Hz
	DP 1.4 HBR3 w/DSC	7680 x 4320 @60Hz
	DP 2.1 UHBR20	7680 x 4320 @60Hz
	DP 2.1 UHBR20 w/DSC	7680 x 4320 @144Hz
Divi video	Nav atbalstīts resursdatora datorā	
Trīs video	Nav atbalstīts resursdatora datorā	

Atbalstītās monitora izšķirtspējas

MacBook Pro M1/M2/M3 Pro vai Max

MacBook Air/Pro M4 visas versijas

MacBook Air M3 (ar aizvērtu vāku)

	Resursdatora grafika	Izšķirtspēja
Viens video (izvēlieties vienu izeju)	DP 1.4 HBR3	6010 x 3384 @60Hz
	DP 1.4 HBR3 w/DSC	6010 x 3384 @60Hz
Divi video (izvēlieties divas izejas)	DP 1.4 HBR3	6010 x 3384 @60Hz+
		3840 x 2160 @60Hz
	DP 1.4 HBR3 w/DSC	6010 x 3384 @60Hz+
		3840 x 2160 @60Hz
Trīs video	Nav atbalstīts resursdatora datorā	

MacBook Air M1 / M2

1 × DP 4-lane straume

	Resursdatora grafika	Izšķirtspēja
Viens video (izvēlieties vienu izeju)	DP 1.4 HBR3	6010 x 3384 @60Hz
	DP 1.4 HBR3 w/DSC	6010 x 3384 @60Hz
Divi video	Nav atbalstīts resursdatora datorā	
Trīs video	Nav atbalstīts resursdatora datorā	

Intel MacBook

2 × DP 4-lane straumes

	Resursdatora grafika	Izšķirtspēja
Viens video (izvēlieties vienu izeju)	DP 1.2 HBR2	3840 x 2160 @60Hz
	DP 1.4 HBR3	5120 x 2160 @60Hz
Divi video	DP 1.2 HBR2	3840 x 2160 @60Hz+
		3840 x 2160 @60Hz
	DP 1.4 HBR3	5120 x 2160 @60Hz+
		3840 x 2160 @60Hz

Windows USB-C (MFDP) resursdatori

1 × DP 2-lane straume

	Resursdatora grafika	Izšķirtspēja
Viens video (izvēlieties vienu izeju)	DP 1.2 HBR2	3840 x 2160 @30Hz
	DP 1.4 HBR3	3840 x 2160 @60Hz
	DP 1.4 HBR3 w/DSC	3840 x 2160 @30Hz
Divi video	Nav atbalstīts resursdatora datorā	
Trīs video	Nav atbalstīts resursdatora datorā	

Drošības instrukcijas

- Neizlieciet mitrumam un neiegremdējiet šķidrumā.
- Uzglabājiet vēsā, sausā vietā. Ieteicamā uzglabāšanas temperatūra: -10°C/14°F līdz 70°C/158°F; Darbības temperatūra: 0°C/32°F līdz 35°C/95°F.
- Nedemontējiet un nemēģiniet modificēt produktu jebkādā veidā.
- Pārtrauciet lietošanu un sazinieties ar ražotāju, ja produkts ir pārmēri karsts, izdala smaku, ir deformēts vai novērojat citas anomālijas.
- Izvairieties no spēcīgām vibrācijām, triecieniem, spiediena transportēšanas laikā un turiet produktu tālu no intensīvas saules gaismas un lietus.
- Izmetiet nolietotos produktus saskaņā ar vietējiem noteikumiem.
- Netīriet ar kaitīgām ķīmiskām vielām vai mazgāšanas līdzekļiem.
- Turiet bērniem līdz 3 gadu vecumam nepieejamā vietā.
- Esiet uzmanīgi pret kritieniem, triecieniem, nobrāzumiem vai ietekmi.

Atbilstības informācija:

- Pievienojiet strāvas kabeli pie kontaktligzdas ar zemējumu.
- Iekārta ir piemērota tikai uzstādīšanai augstumā ≤ 2 m.
- Kad iekārta ir pievienota dokstacijai caur USB-C PD portu, tai jābūt ugunsdrošam korpusam.
- Marķējuma informācija atrodas ierīces apakšā.
- ErP paziņojums: Enerģijas patēriņš izslēgtā režīmā < 0,3 W.

EE-Sissejuhatus

HyperDrive Next Thunderbolt 5 Dock pakub professionaalset jõudlust ja laiendatud ühenduvust Thunderbolt 4 ja 5 sülearvutitele. See toetab kuni kolme laiendatud 4K144Hz ekraani või ühte 8K144Hz väljundit, pakkudes 10 mitmekülgset porti, sealhulgas 2,5Gbps Ethernet, USB-A 10Gbps ja 140W USB-C Power Delivery kiireks sülearvuti laadimiseks. Thunderbolt Share võimaldab kiiret ekraani, failide ja välisseadmete jagamist arvutite vahel, parandades koostööd. Dok on loodud suure jõudlusega keskkondade jaoks ja valmistatud vastupidavast alumiiniumkorpusest ning 75% taaskasutatud materjalidest.

Pakendi sisu

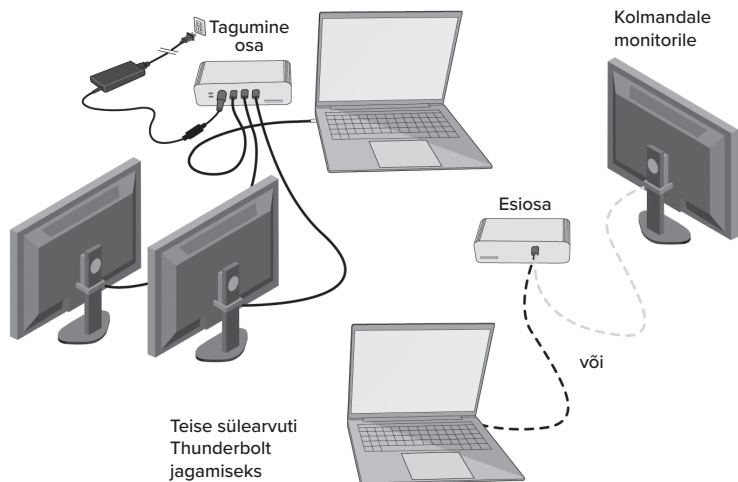
- HD2801GL Thunderbolt 5 dokk
- 1 m USB-C Thunderbolt 5 kaabel (80Gbps/120Gbps)
- 1 × 180W AC universaalne toiteadapter
- Piirkondlikud toitekaablid
- Kasutusjuhend

Süsteeminõuded

Riistvara

- Thunderbolt 4 või 5 või muu ühilduv USB-C Alternate Mode Windows host
- macOS 15 Sequoia on vajalik iga Maci jaoks, mis toetab HD2801 (sealhulgas mõned Thunderbolt 3 Macid, mis ühilduvad macOS 15-ga).
- 140W laadimine nõuab ühilduvat hosti, mis toetab PD3.1 Extended Power Range (EPR). PD 3.0 Power Delivery kuni 100W ühilduvate hostide jaoks.

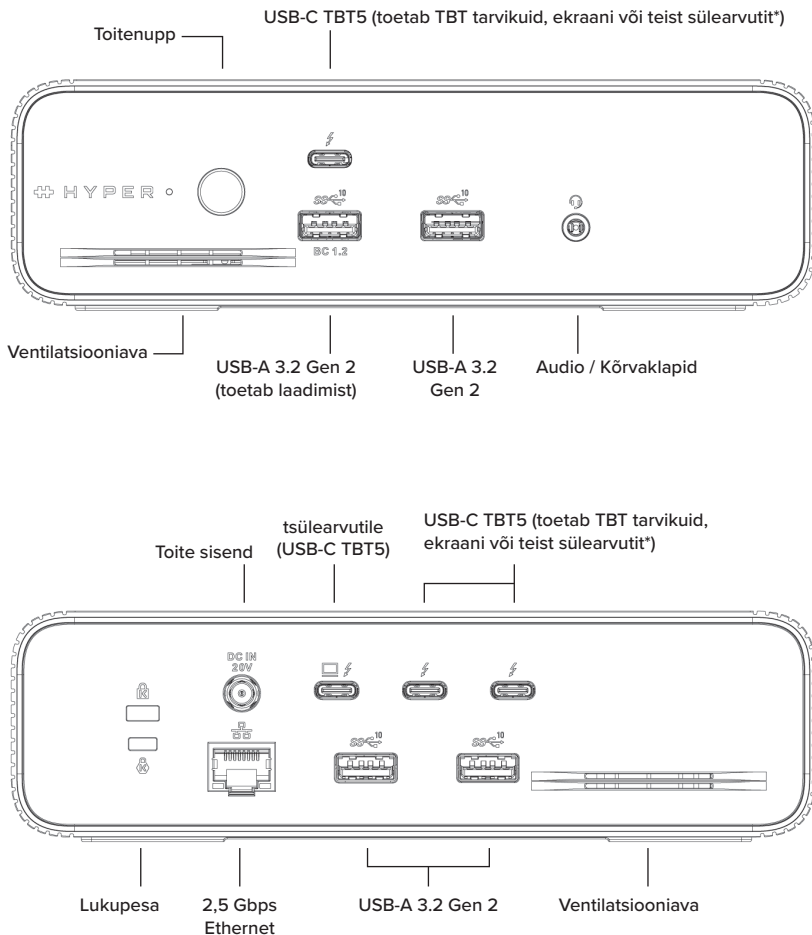
Tööjaama Seadistus



Spetsifikatsioon

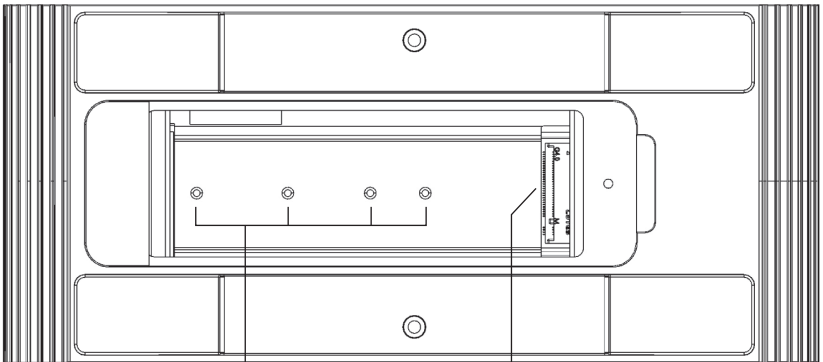
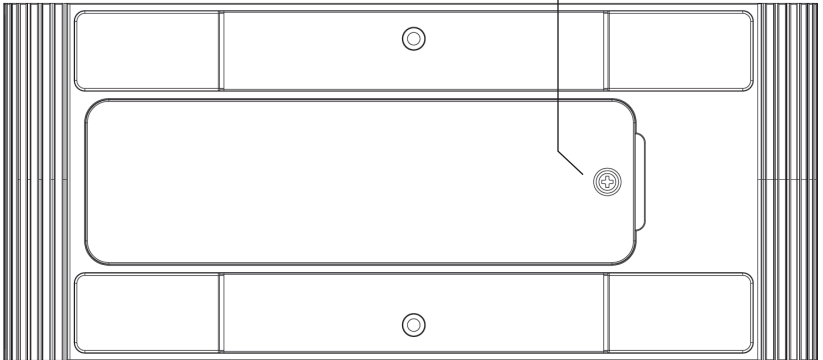
- 1× upstream Thunderbolt 5 port, mis toetab kiirusi 80/120 Gb/s ja Power Delivery 3.1 EPR 140 W
- 3× Thunderbolt 5 porti, mis toetavad kiirusi 80/120 Gb/s ja Power Delivery 3.1 EPR 140 W
- 1× M.2 SSD pesa (2230 / 2242 / 2260 / 2280 tüüp)
 - 4× PCIe 4.0 NVMe SSD Thunderbolt-režiimis
 - 2× PCIe 3.0 NVMe SSD MFDP-režiimis
- 3× USB-A 10 Gb/s porti
- 1× USB-A 10 Gb/s port (toetab BC 1.2)
- 1× RJ45 Ethernet 2,5 Gb/s
- 1× 3,5 mm kõrvaklappide helipistik
- 1× K turvaluku pesa
- 1× K Nano turvaluku pesa

Dokkimisjaama skeem



*Nõuab Thunderbolt Share

Kruvi M.2 katte eemaldamiseks



Kruviauk M.2 seadme
lukustamiseks

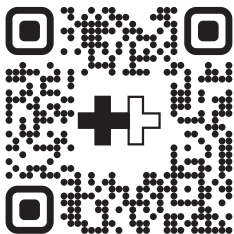
M.2 pesa

M.2 seadme paigaldamine

1. Lülitage dokk VÄLJA ja eemaldage toide. Ühendage dokk lahti hostseadmest ja eemaldage kõik ühendatud seadmed doki portidest.
2. Juurdepääs M.2 pesale – Pööra dokk ümber ja eemalda M.2 katte kruvi ristpeaga kruvikeerajaga.
3. Eemalda lukustuskruvi – Võta välja väike M.2 lukustuskruvi pesa seest.
4. Sisesta M.2 seade – Joonda seade pesas oleva sälguga, libista see nurga all sisse, vajuta alla ja kinnita lukustuskruviga.
5. Paigalda kate tagasi – Pane M.2 kate tagasi ja pinguta kruvi.
6. Ühendage kõik seadmed uuesti doki portidesse, taastage toide, lülitage dokk SISSE ja ühendage dokk uuesti hostseadmega.

Kiirkäivituse videojuhend

Skannige QR-kood, et vaadata meie seadistusvideot.



Toetatud monitori eraldusvõimed

Windows Thunderbolt 5 hostid

3 × DP 4-lane vood

	Hostseadme graafika	Eraldusvõime
Üks video (vali üks väljund)	DP 2.1 UHBR20	7680 x 4320 @60Hz
	DP 2.1 UHBR20 w/DSC	7680 x 4320 @144Hz
Kaks videot (vali kaks väljundit)	DP 2.1 UHBR20	7680 x 4320 @60Hz
	DP 2.1 UHBR20 w/DSC	7680 x 4320 @120Hz
Kolm videot	DP 2.1 UHBR20	7680 x 4320 @30Hz
	DP 2.1 UHBR20 w/DSC	7680 x 4320 @60Hz

Windows Thunderbolt 4 hostid

2 × DP 4-lane vood

	Hostseadme graafika	Eraldusvõime
Üks video (vali üks väljund)	DP 1.4 HBR3	7680 x 4320 @30Hz
	DP 1.4 HBR3 w/DSC	7680 x 4320 @60Hz
Kaks videot (vali kaks väljundit)	DP 1.4 HBR3	7680 x 4320 @30Hz+
		3840 x 2160 @30Hz
	DP 1.4 HBR3 w/DSC	7680 x 4320 @60Hz+
		3840 x 2160 @60Hz
Kolm videot	Ei ole toetatud hostmasinas	

USB4 hostid

11 × DP 4-lane voog

	Hostseadme graafika	Eraldusvõime
Üks video (vali üks väljund)	DP 1.4 HBR3	7680 x 4320 @30Hz
	DP 1.4 HBR3 w/DSC	7680 x 4320 @60Hz
	DP 2.1 UHBR20	7680 x 4320 @60Hz
	DP 2.1 UHBR20 w/DSC	7680 x 4320 @144Hz
Kaks videot	Ei ole toetatud hostmasinas	
Kolm videot	Ei ole toetatud hostmasinas	

Toetatud monitori eraldusvõimed

MacBook Pro M1/M2/M3 Pro või Max

MacBook Air/Pro M4 kõik variandid

MacBook Air M3 (suletud kaanega)

	Hostseadme graafika	Eraldusvõime
Single Video (choose any one output)	DP 1.4 HBR3	6010 x 3384 @60Hz
	DP 1.4 HBR3 w/DSC	6010 x 3384 @60Hz
Kaks videot (vali kaks väljundit)	DP 1.4 HBR3	6010 x 3384 @60Hz+
		3840 x 2160 @60Hz
	DP 1.4 HBR3 w/DSC	6010 x 3384 @60Hz+
		3840 x 2160 @60Hz
Kolm videot	Ei ole toetatud hostmasinas	

MacBook Air M1 / M2

1 × DP 4-lane voog

	Hostseadme graafika	Eraldusvõime
Üks video (vali üks väljund)	DP 1.4 HBR3	6010 x 3384 @60Hz
	DP 1.4 HBR3 w/DSC	6010 x 3384 @60Hz
Kaks videot	Ei ole toetatud hostmasinas	
Kolm videot	Ei ole toetatud hostmasinas	

Intel MacBook

2 × DP 4-lane vood

	Hostseadme graafika	Eraldusvõime
Üks video (vali üks väljund)	DP 1.2 HBR2	3840 x 2160 @60Hz
	DP 1.4 HBR3	5120 x 2160 @60Hz
Kaks videot	DP 1.2 HBR2	3840 x 2160 @60Hz+
		3840 x 2160 @60Hz
	DP 1.4 HBR3	5120 x 2160 @60Hz+
		3840 x 2160 @60Hz

Windows USB-C (MFDP) hostid

1 × DP 2-lane voog

	Hostseadme graafika	Eraldusvõime
Üks video (vali üks väljund)	DP 1.2 HBR2	3840 x 2160 @30Hz
	DP 1.4 HBR3	3840 x 2160 @60Hz
	DP 1.4 HBR3 w/DSC	3840 x 2160 @30Hz
Kaks videot	Ei ole toetatud hostmasinas	
Kolm videot	Ei ole toetatud hostmasinas	

Ohutusjuhised

- DÄrge jätke niiskuse kätte ega uputage vedelikku.
- Hoidke jahedas ja kuivas kohas. Soovitav hoiustamistemperatuur: -10°C/14°F kuni 70°C/158°F; Töötetemperatuur: 0°C/32°F kuni 35°C/95°F.
- Ärge demonteerige ega proovige toodet mingil viisil muuta.
- Lõpetage kasutamine ja võtke tootjaga ühendust, kui toode on liiga kuum, eritab lõhna, on deformeerunud või märkate muid kõrvalekaldeid.
- Vältige tugevat vibratsiooni, lööke, survet transpordi ajal ja hoidke toodet eemal intensiivsest päikesevalgusest ja vihmast.
- Hoidke kasutusest kõrvaldatud tooted vastavalt kohalikele eeskirjadele.
- Ärge puhastage kahjulike kemikaalide või pesuvahenditega.
- Hoidke alla 3-aastaste laste käeulatuses eemal.
- Olge ettevaatlik kukkumiste, löökide, kriimustuste või mõjude suhtes.

Vastavusteave:

- Ühendage toitejuhe maandusega pistikupesasa.
- Seade sobib ainult paigaldamiseks kõrgusele ≤ 2 m.
- Kui seade on ühendatud dokkimisjaamaga USB-C PD pordi kaudu, peab sellel olema tulekindel korpus.
- Märgistusinfo asub seadme allosas.
- ErP avaldus: Voolutarbimine väljalülitatud režiimis < 0,3 W.

Technical Support

For technical questions, please visit:

Hyper Customer Support Email:

support@hypershop.com

Hyper Customer Support Phone:

1 (844) 674-6789(USA)

US Internet:

<http://targus.com/us/support>

Canada Internet:

<http://www.targus.com/ca/support>

Australia Internet:

<http://www.targus.com/au/support>

Email:

infoaust@targus.com

Telephone:

1-800-641-645

New Zealand Telephone:

0800-633-222

Latin America Email:

latam.soporte@targus.com

AUSTRALIAN AND NEW ZEALAND CONSUMERS ONLY

Thank you for your purchase. Hyper warrants to the original purchaser that its products are free from defects in materials and workmanship and, during the specified warranty period, and lasts as long as the original purchaser owns the product. The warranty period is stated on the packaging or in the documentation provided with this Hyper product. Hyper's Limited Product Warranty excludes damage caused by accident, neglect, abuse, misuse, improper care, normal wear and tear, ownership transfer, or alteration. The limited warranty also excludes any product that is not manufactured by Hyper (including, without limitation, laptops, smartphones, devices, tablets, or any other non-Hyper item) that is used in connection with the Hyper product. In the event that the Hyper product has a defect in materials or workmanship Hyper will, after receiving a warranty claim and inspecting the product, at its discretion, do one of the following: repair, replace, or refund with the same or a similar product (or part) of no lesser quality and ship it to the original purchaser at Hyper's expense. As part of this inspection, proof of purchase will be required. There is no charge for inspection. To make a warranty claim, please contact Hyper Australia or New Zealand (see details below), or return the product to the place of purchase. The original purchaser must bear the cost of the delivery to Hyper. Under Australian and/or New Zealand Consumer Laws, in addition to any warranty Hyper gives, our products come with guarantees that cannot be excluded. You are entitled to a replacement or refund for a major failure and compensation for any other reasonably foreseeable loss or damage. You are entitled to have the products repaired or replaced if they fail to be of acceptable quality and the failure does not amount to a major failure.

For any warranty question, contact Targus Australia Pty. Ltd. (i) by mail at Suite 204, Level 2, 5 Rider Boulevard, Rhodes NSW 2138, by phone AUS 1800 641 645 or NZ 0800 633 222 or by Email: infoaust@targus.com. For additional information, check out our website at targus.com/au/warranty.

© 2026 HYPER PRODUCTS INC
All rights reserved.

