

BIRDCAGE PRO

TPS* TWIN PLATE SYSTEM

Innovative design, with Ultra-Thin baseplate to reach very low shooting angles, and incredible lightweight, working with gimbals and drones.
T-Riser and Metaplate T-Riser works in combination offering several mounting choices.



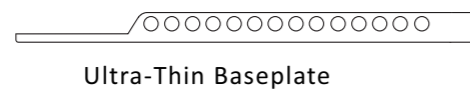
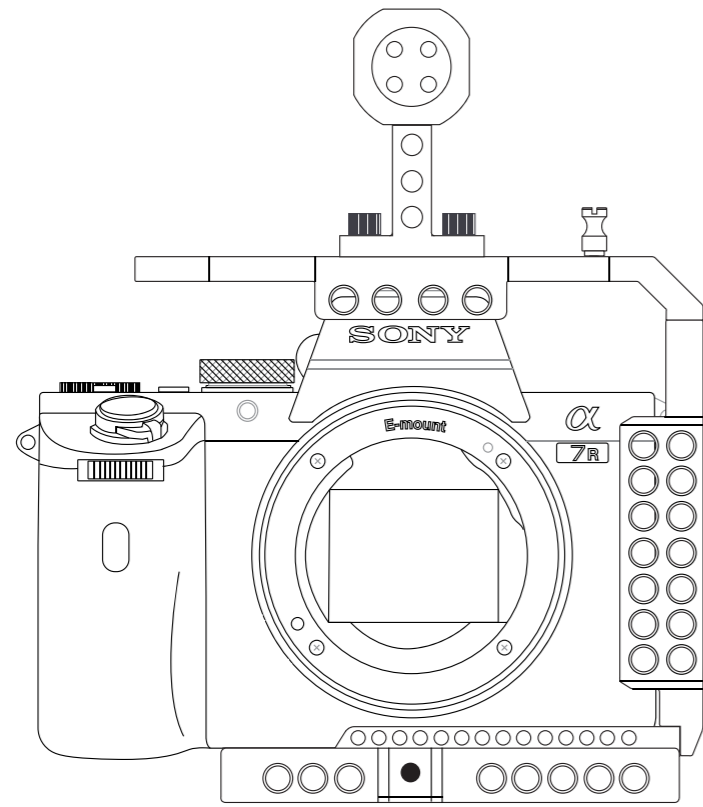
IMS* INTELLIGENT MOUNT SYSTEM

A complete series of P+S Mount Adapters integrating exclusive Positive-Lock for cinema style lens mounting. The Lock-Mount interface connects to the IMS Plate creating a rock-solid monolithic shooting tool.

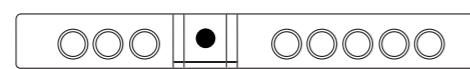
- ① **#BCA7M2PRO-KIT**
Bird Cage PRO A7 MK2 Kit / Twin Baseplate - Ultra Thin Plate + T-Riser baseplate
- ② **#BC-TGHS**
Top Grip Handle S
- ③ **#BC-FPP**
Focal Plain Pin (tape measurement hook)
- ④ **#LPFLEX-KIT**
Flex Port Kit Micro HDMI to Full Size HDMI Adapter / 3 cables
- ⑤ **#MBA7M2-IMS**
A7 MK2 IMS Block for P+S IMS Mounts locking to the camera baseplate

- ⑥ **#MBA7M2-MB**
A7 MK2 Meta Block for Metabones locking to the camera baseplate
- ⑦ **#BC-HS**
Hot Shoe
- ⑧ **#BCA7-IMSPL**
P+S IMS PL Mount / E-Mount / Lock-Mount
- ⑨ **#BCA7-IMSEF**
P+S IMS Canon Mount / E-Mount / Lock-Mount
- ⑩ **#BCA7-IMSF**
P+S IMS Nikon Mount / E-Mount / Lock-Mount

BIRDCAGE PRO



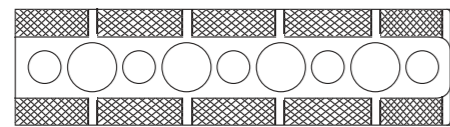
Ultra-Thin Baseplate



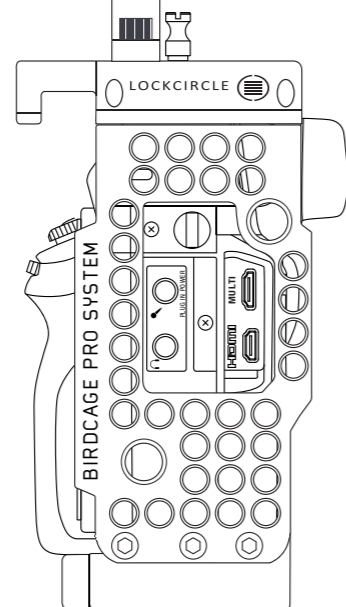
T-Riser Baseplate

TPS* TWIN PLATE SYSTEM

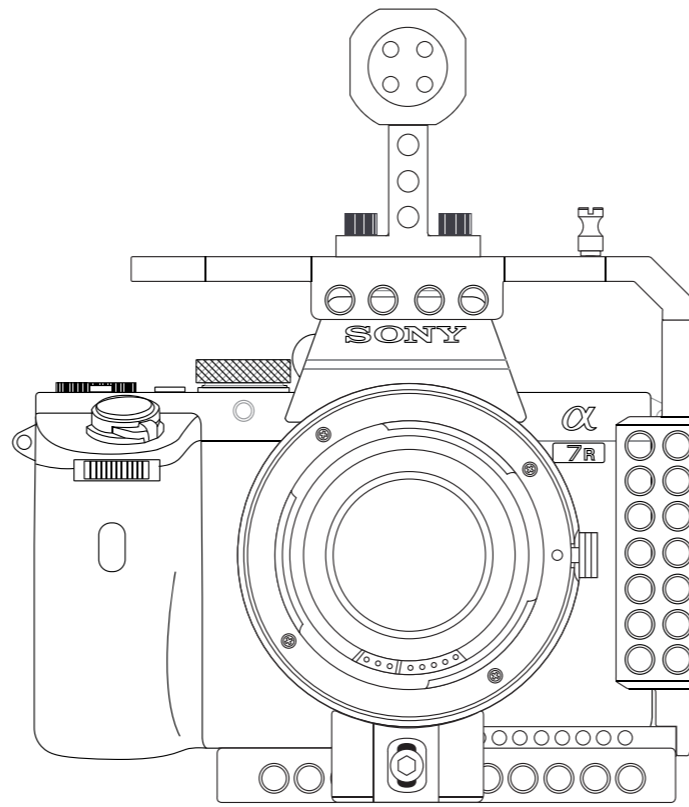
Innovative design, with Ultra-Thin baseplate to reach very low shooting angles, and incredible lightweight, working with gimbals and drones. The T-Riser baseplate works in combination offering several mounting choices.



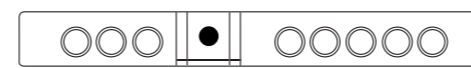
STANDARD SONY E-MOUNT



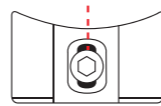
BIRDCAGE PRO WITH META-BLOCK FOR METABONES MOUNTS



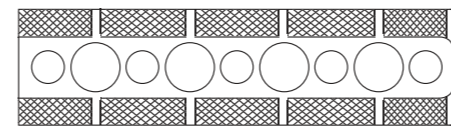
Ultra-Thin Baseplate



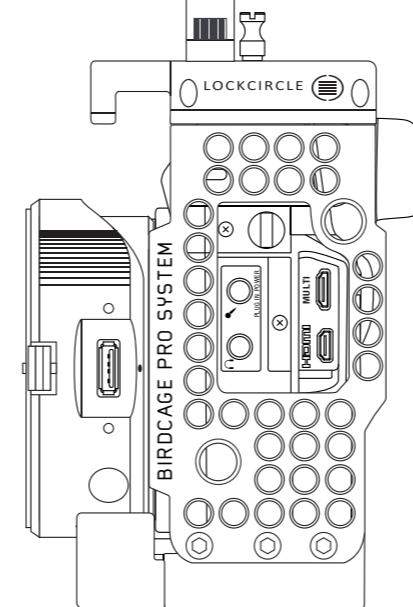
T-Riser Baseplate



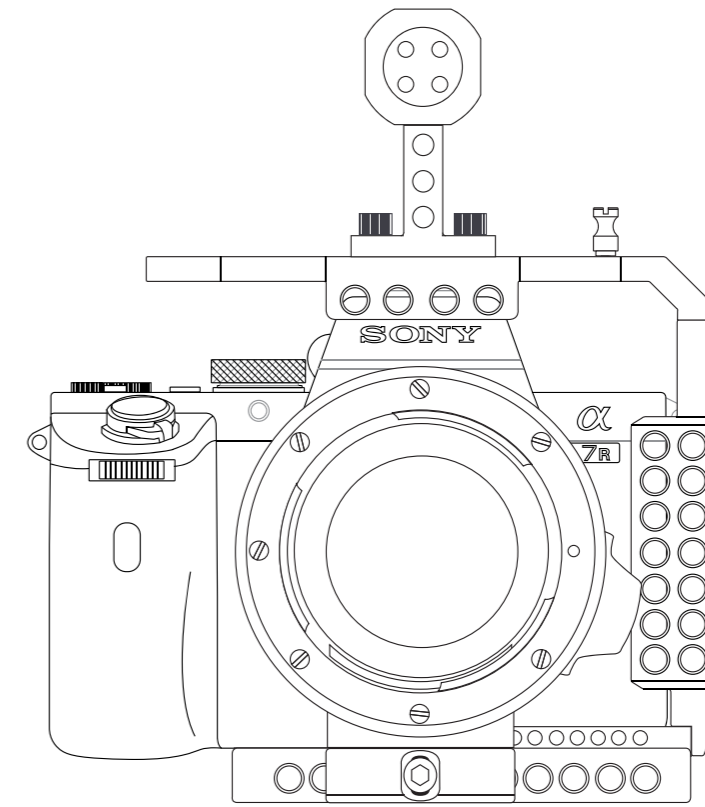
Meta-Block
for Metabones locking



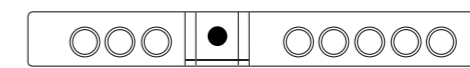
SONY E-MOUNT
TO CANON EF MOUNT
METABONES



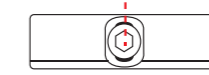
BIRDCAGE PRO WITH IMS-BLOCK FOR P+S IMS MOUNTS



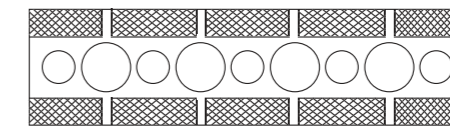
Ultra-Thin Baseplate



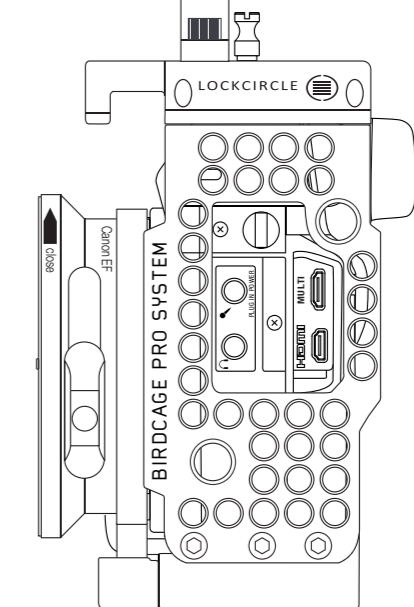
T-Riser Baseplate



IMS-Block
for P+S IMS Mounts locking

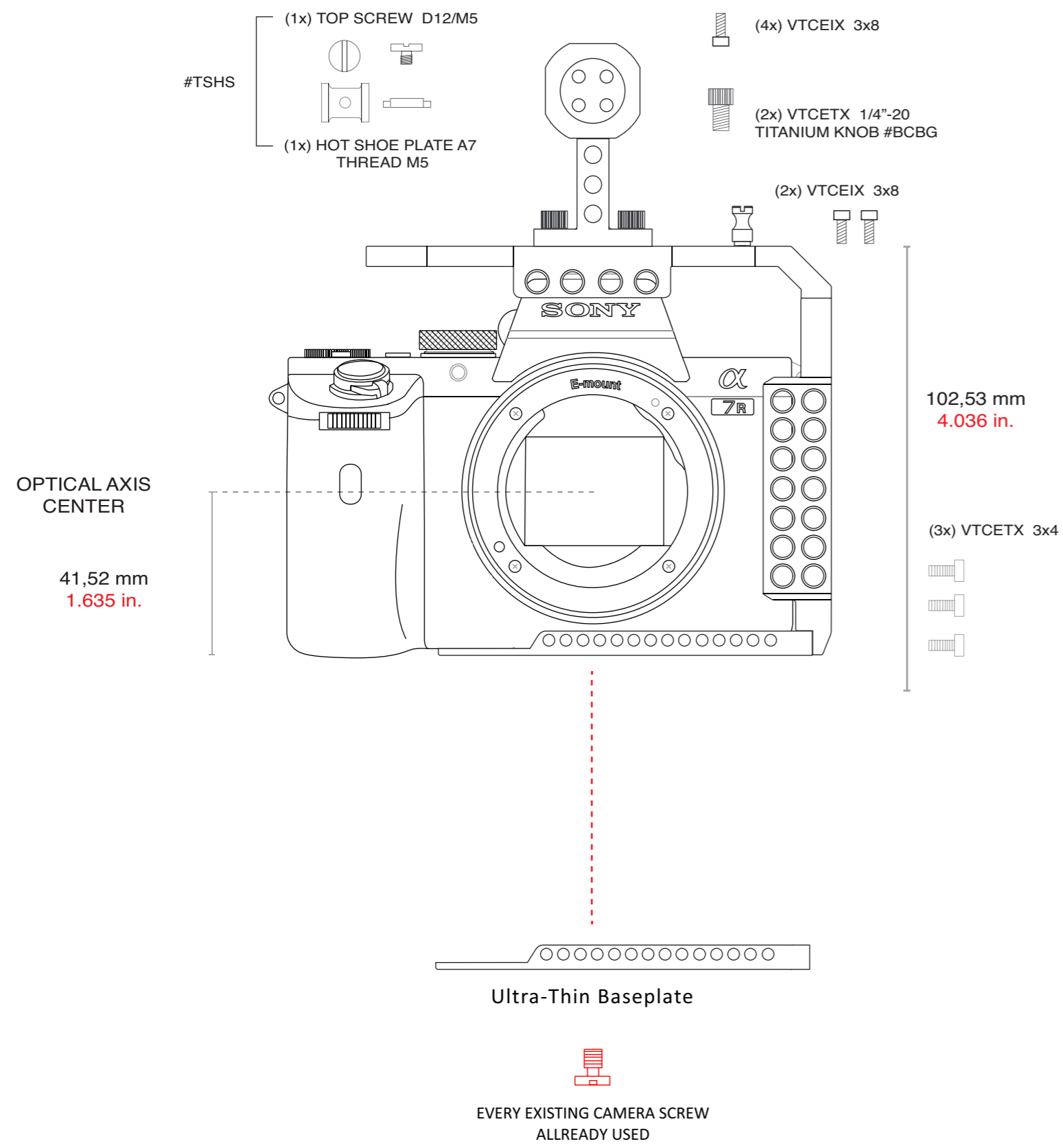


SONY E-MOUNT
TO CANON EF MOUNT
NIKON F MOUNT
PL MOUNT
P+S IMS MOUNT
SYSTEM



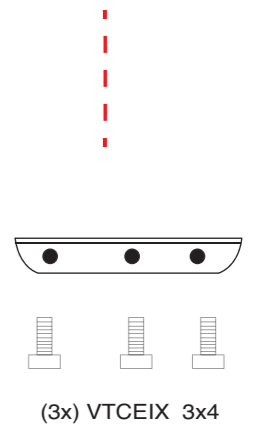
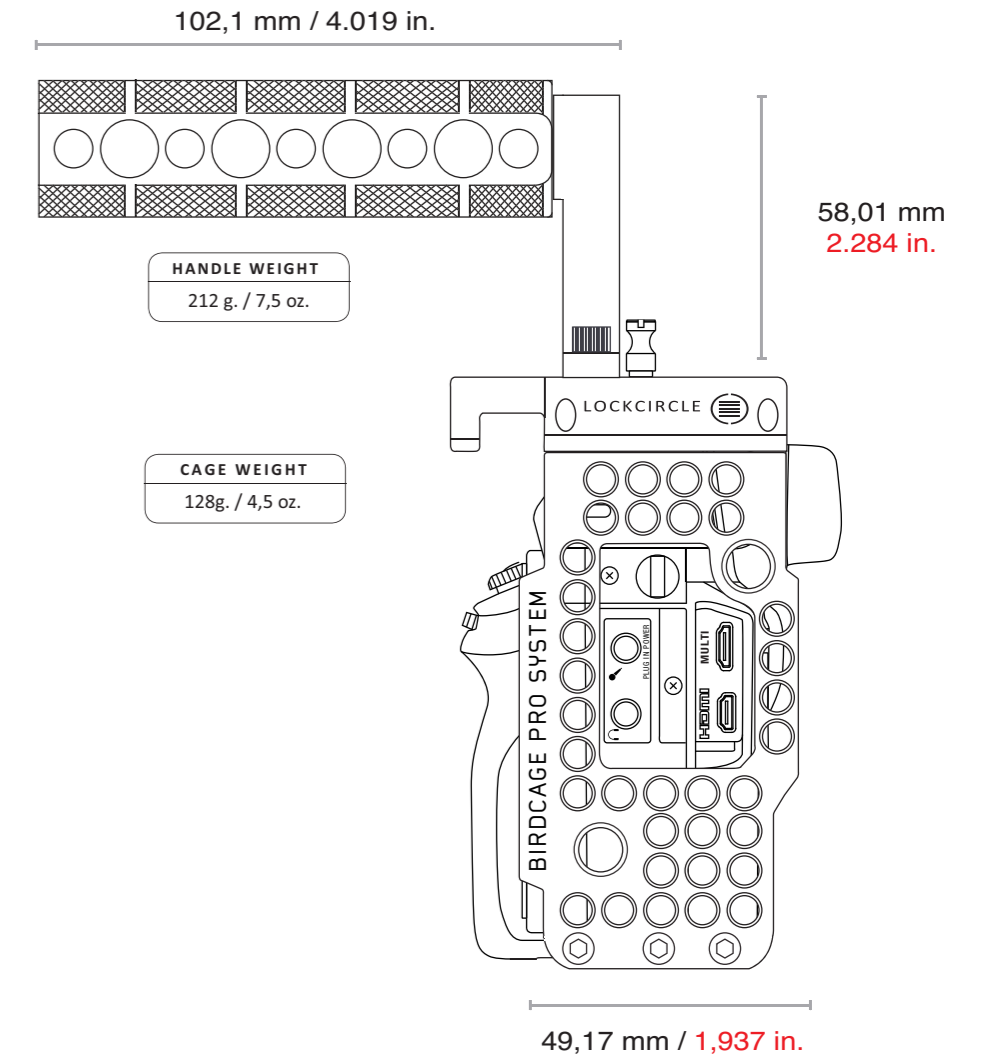
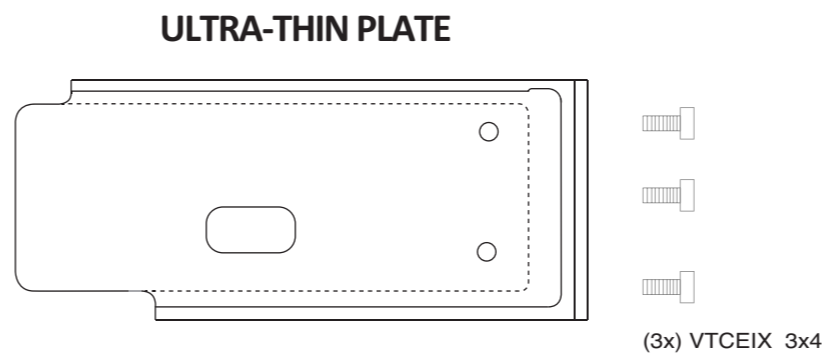
BIRDCAGE PRO

BIRDCAGE PRO + ULTRA THIN PLATE



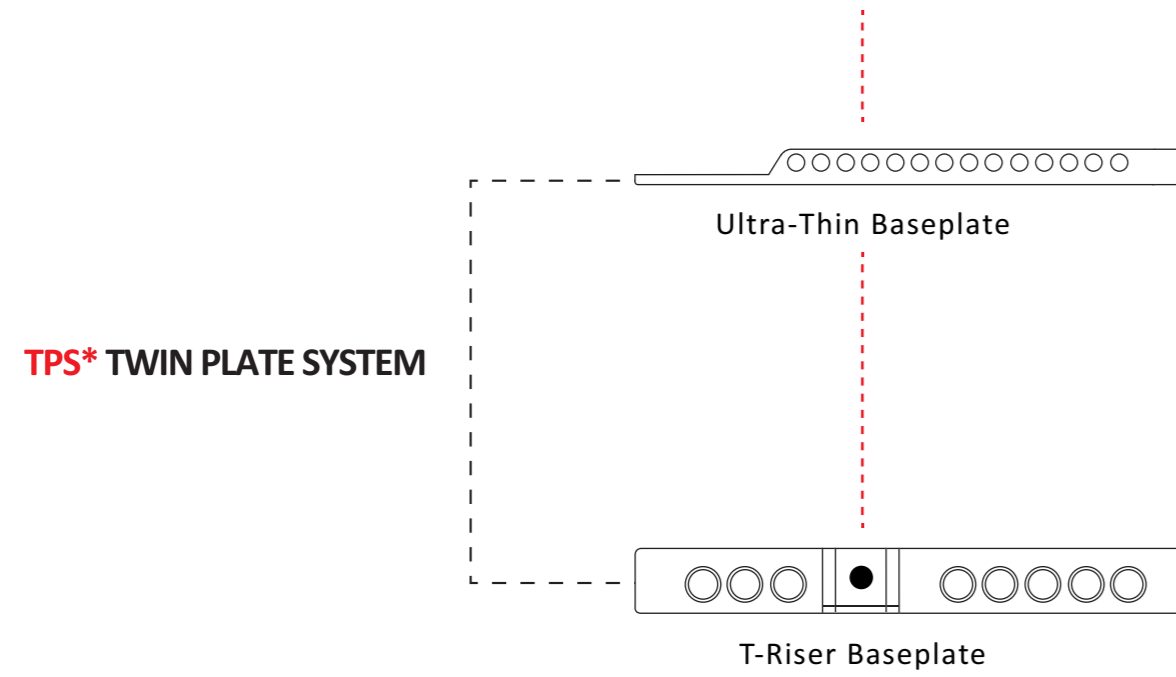
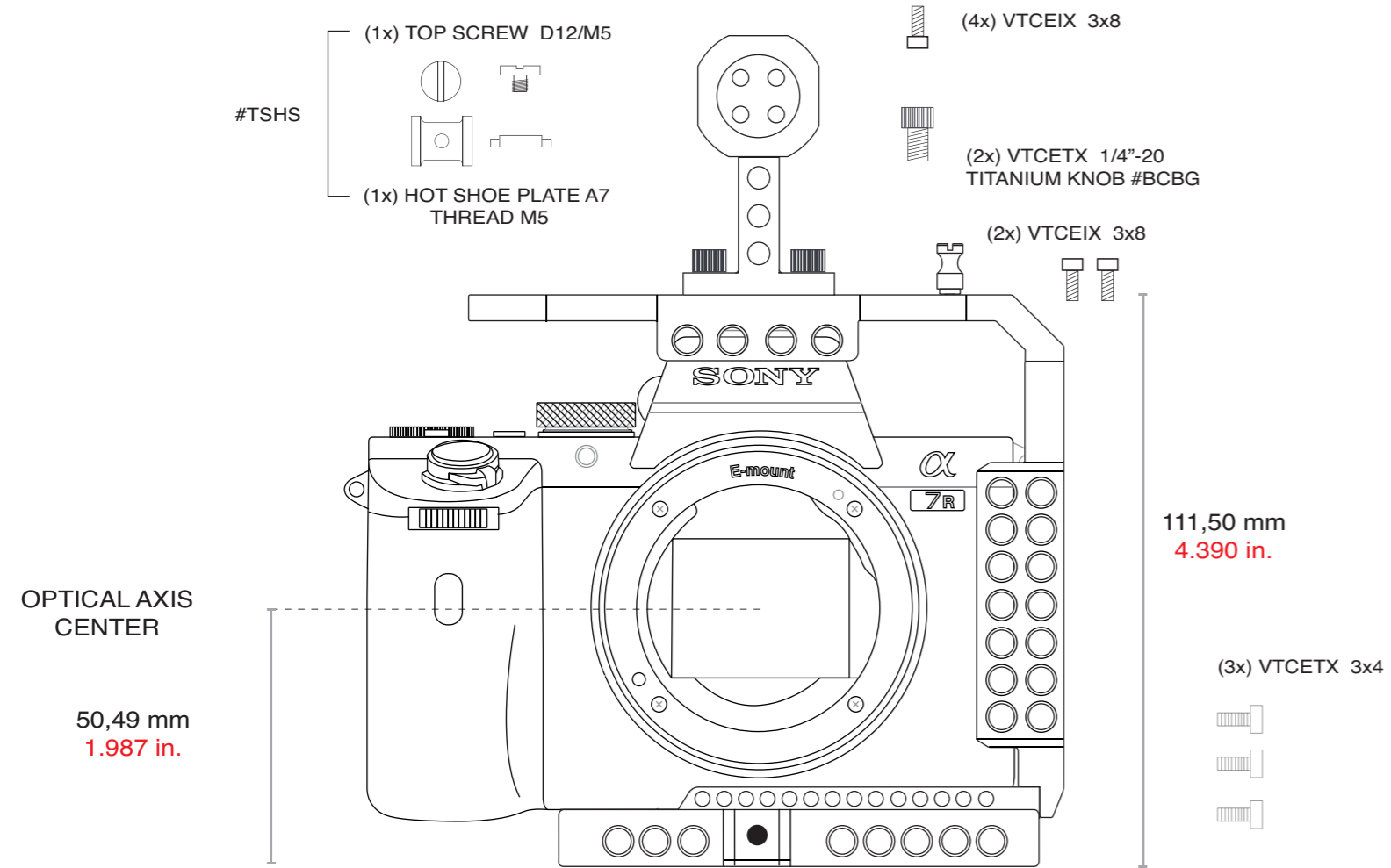
TPS* TWIN PLATE SYSTEM

Innovative design, with Ultra-Thin baseplate to reach very low shooting angles, and incredible lightweight, working with gimbals and drones. The T-Riser baseplate works in combination offering several mounting choices



BIRDCAGE PRO

BIRDCAGE PRO + ULTRA THIN PLATE + T-RISER BASEPLATE

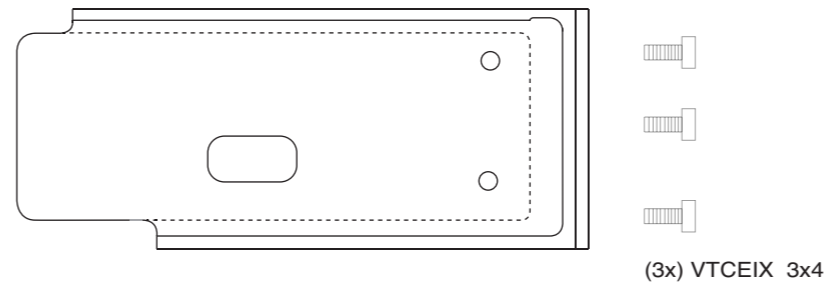


(1x) CS 30121
TWIN BASEPLATE CAMERA SCREW

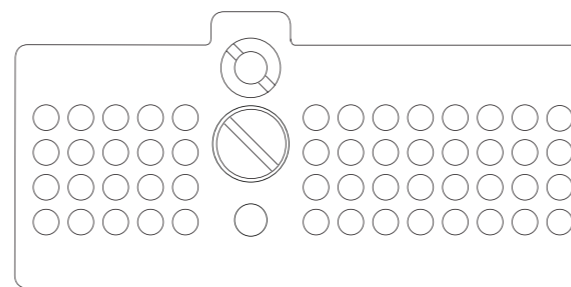
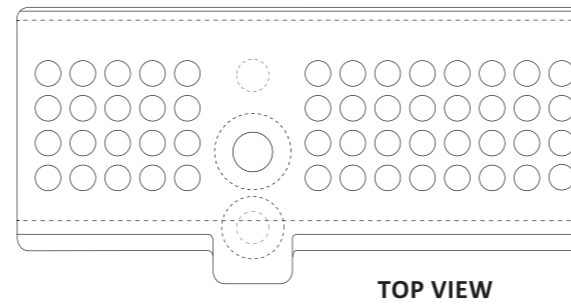
TPS* TWIN PLATE SYSTEM

Innovative design, with Ultra-Thin baseplate to reach very low shooting angles, and incredible lightweight, working with gimbals and drones. The T-Riser baseplate works in combination offering several mounting choices



ULTRA-THIN PLATE

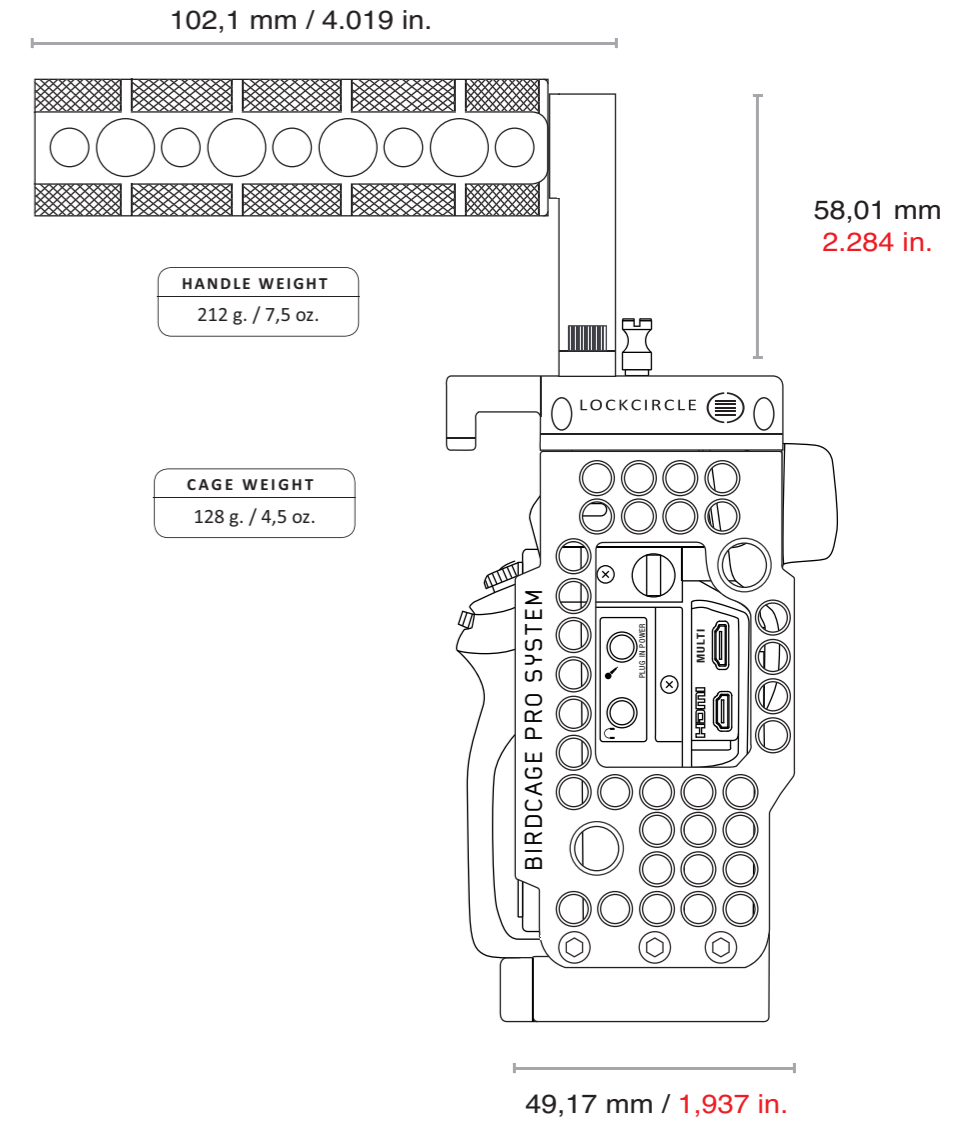


T-RISER BASEPLATE



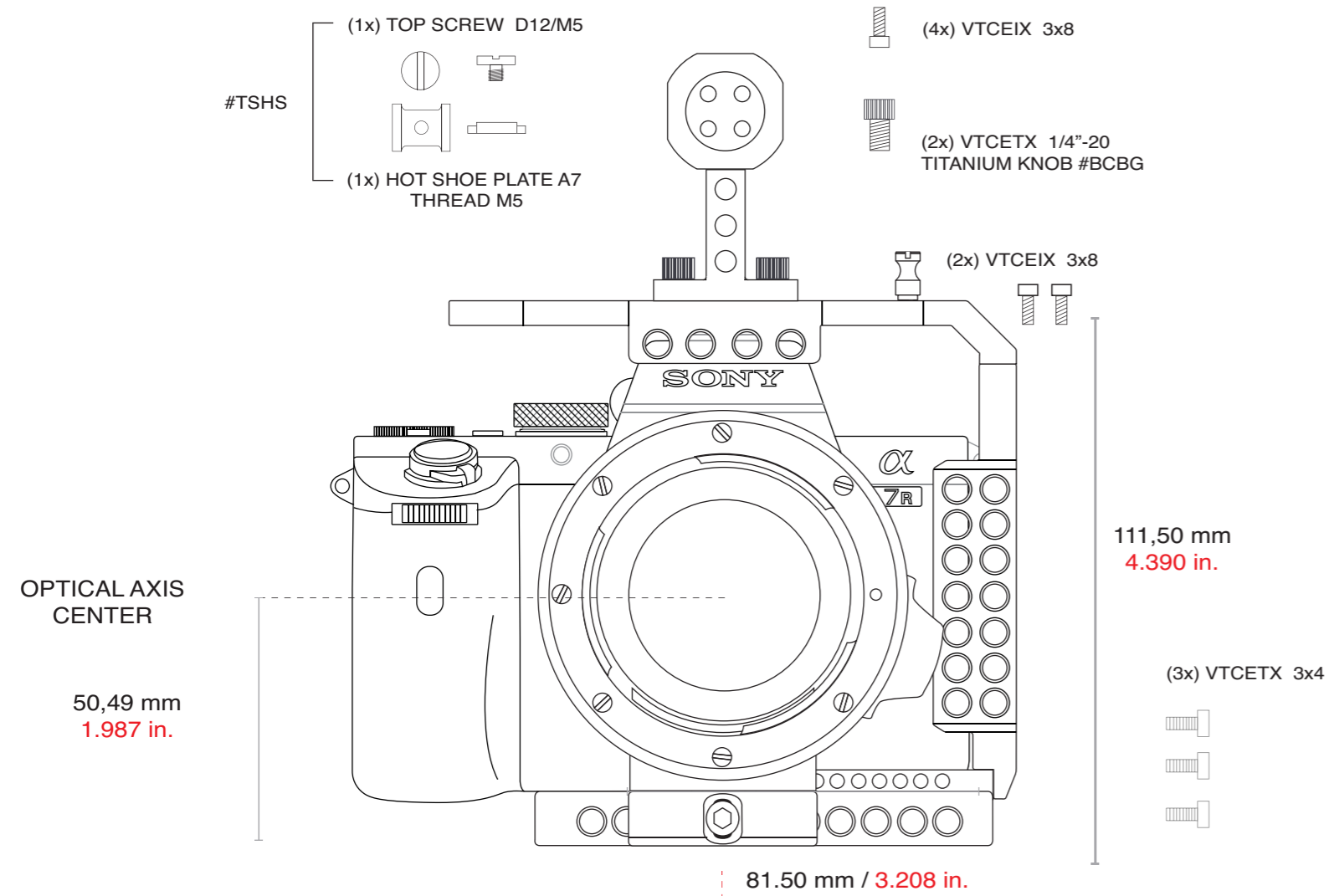
BOTTOM VIEW

-  ADAPTER 3/8" - 1/4"
-  (1x) CS 30121
TWIN BASEPLATE
CAMERA SCREW
- 1-THREAD 3/8"
- 1-THREADS 1/4"



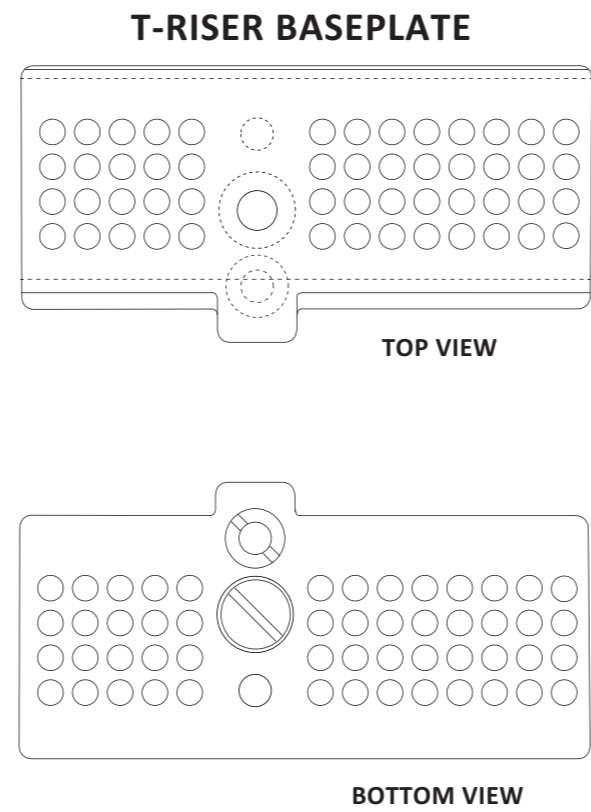
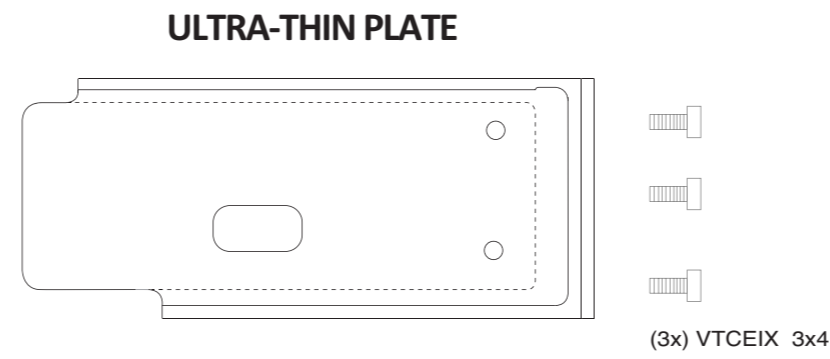
BIRDCAGE PRO

BIRDCAGE PRO + ULTRA THIN PLATE + T-RISER BASEPLATE WITH IMS BLOCK



TPS* TWIN PLATE SYSTEM

Innovative design, with Ultra-Thin baseplate to reach very low shooting angles, and incredible lightweight, working with gimbals and drones. The T-Riser baseplate works in combination offering several mounting choices

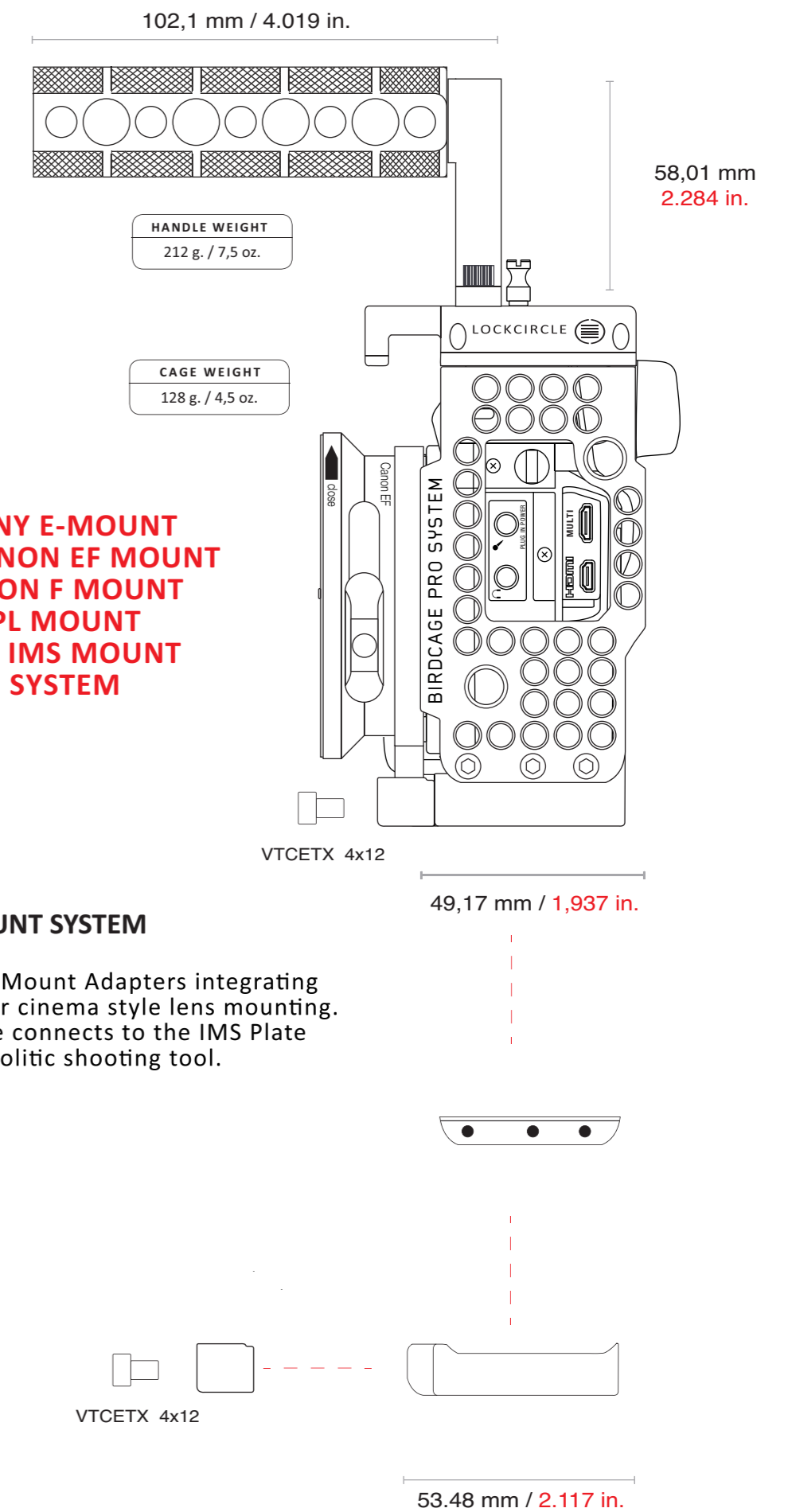


**SONY E-MOUNT
TO CANON EF MOUNT
NIKON F MOUNT
PL MOUNT
P+S IMS MOUNT
SYSTEM**

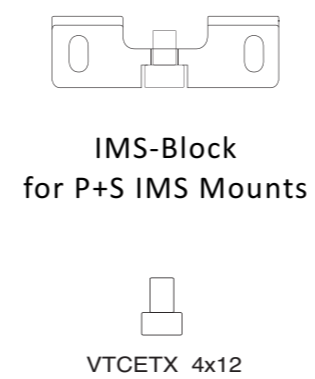
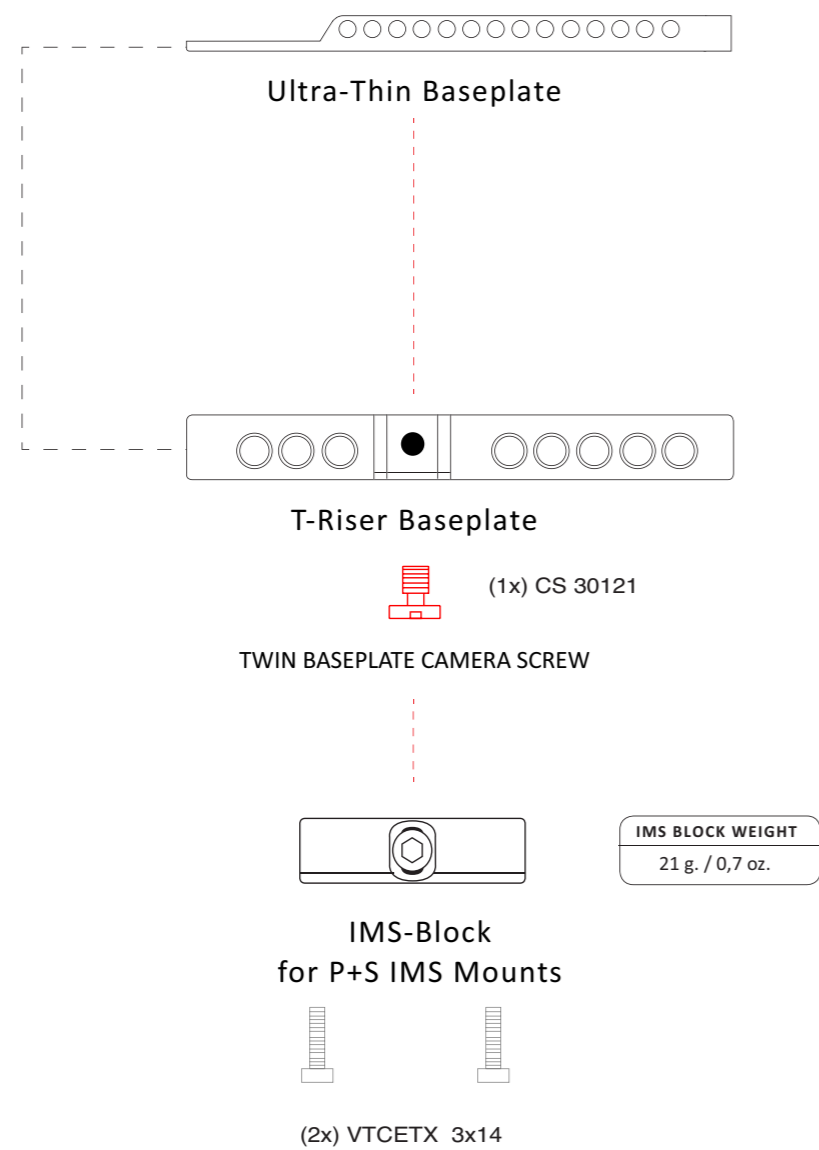
IMS* INTELLIGENT MOUNT SYSTEM

A complete series of P+S Mount Adapters integrating exclusive Positive-Lock for cinema style lens mounting. The Lock-Mount interface connects to the IMS Plate creating a rock-solid monolithic shooting tool.

- ADAPTER 3/8" - 1/4"
- (1x) CS 30121
TWIN BASEPLATE
CAMERA SCREW TITANIUM
- 1-THREAD 3/8"
- 1-THREADS 1/4"

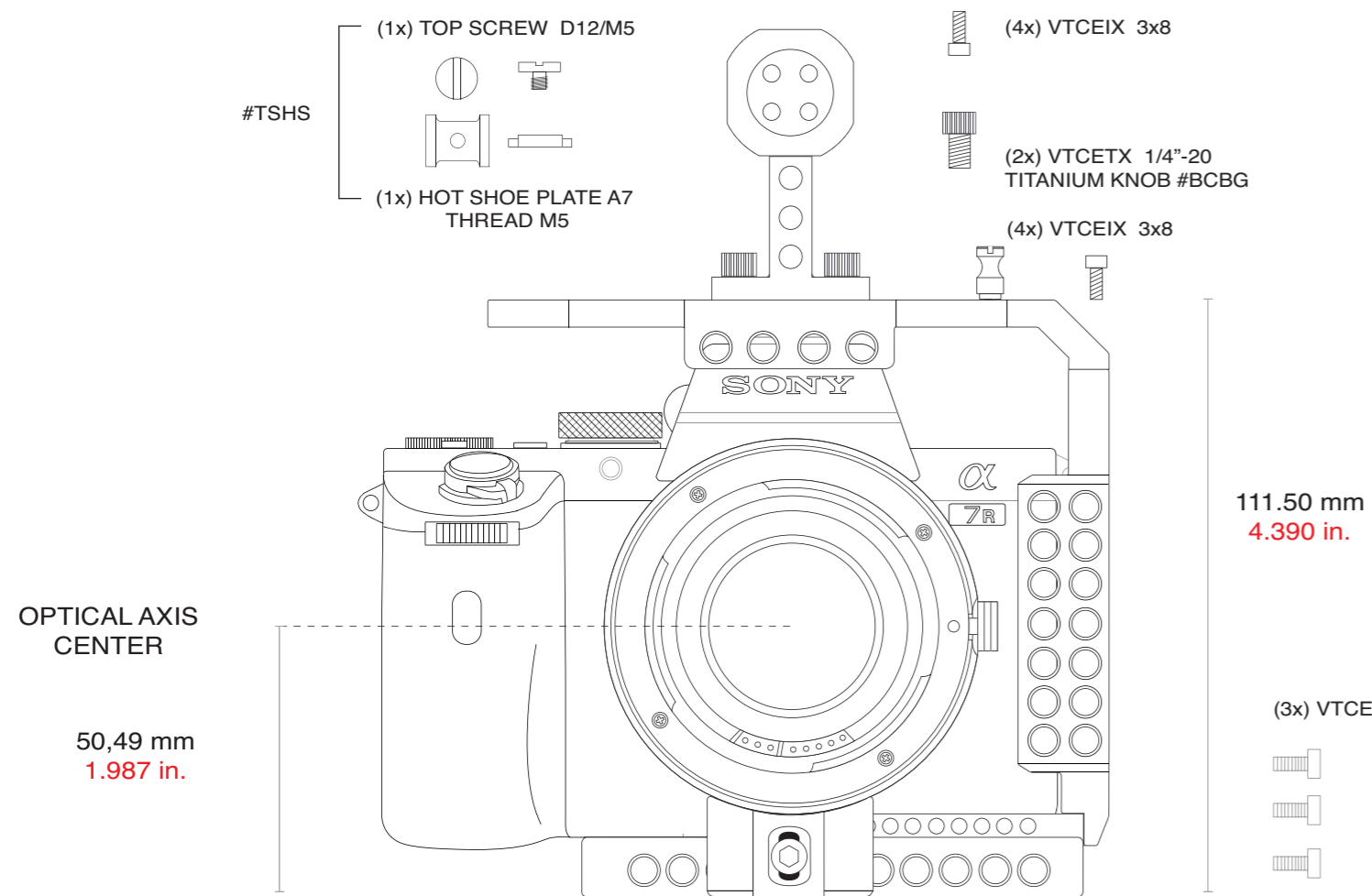


TPS* TWIN PLATE SYSTEM



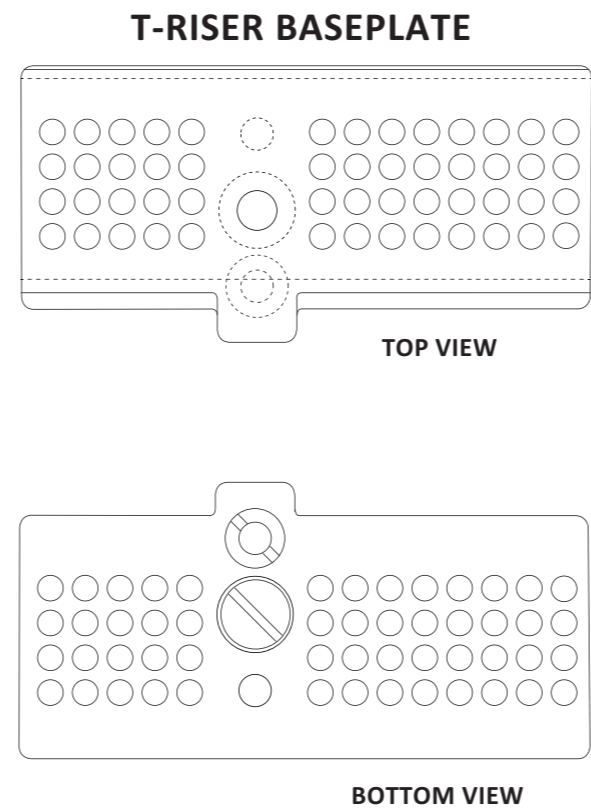
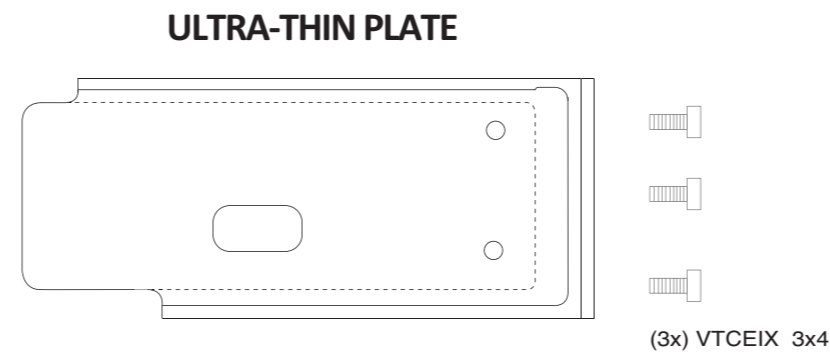
BIRDCAGE PRO

BIRDCAGE PRO + ULTRA THIN PLATE + T-RISER BASEPLATE WITH META-BLOCK FOR METABONES MOUNTS



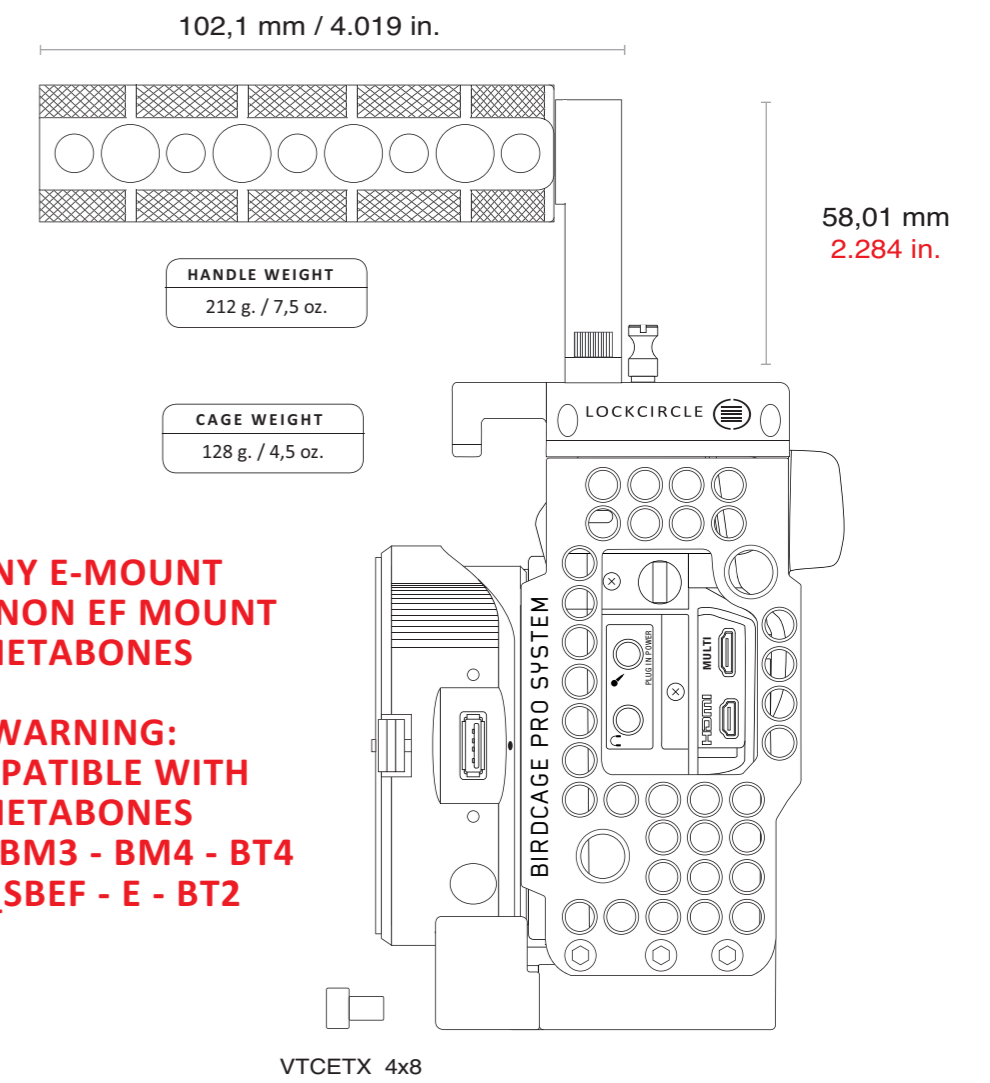
TPS* TWIN PLATE SYSTEM

Innovative design, with Ultra-Thin baseplate to reach very low shooting angles, and incredible lightweight, working with gimbals and drones. The T-Riser baseplate works in combination offering several mounting choices

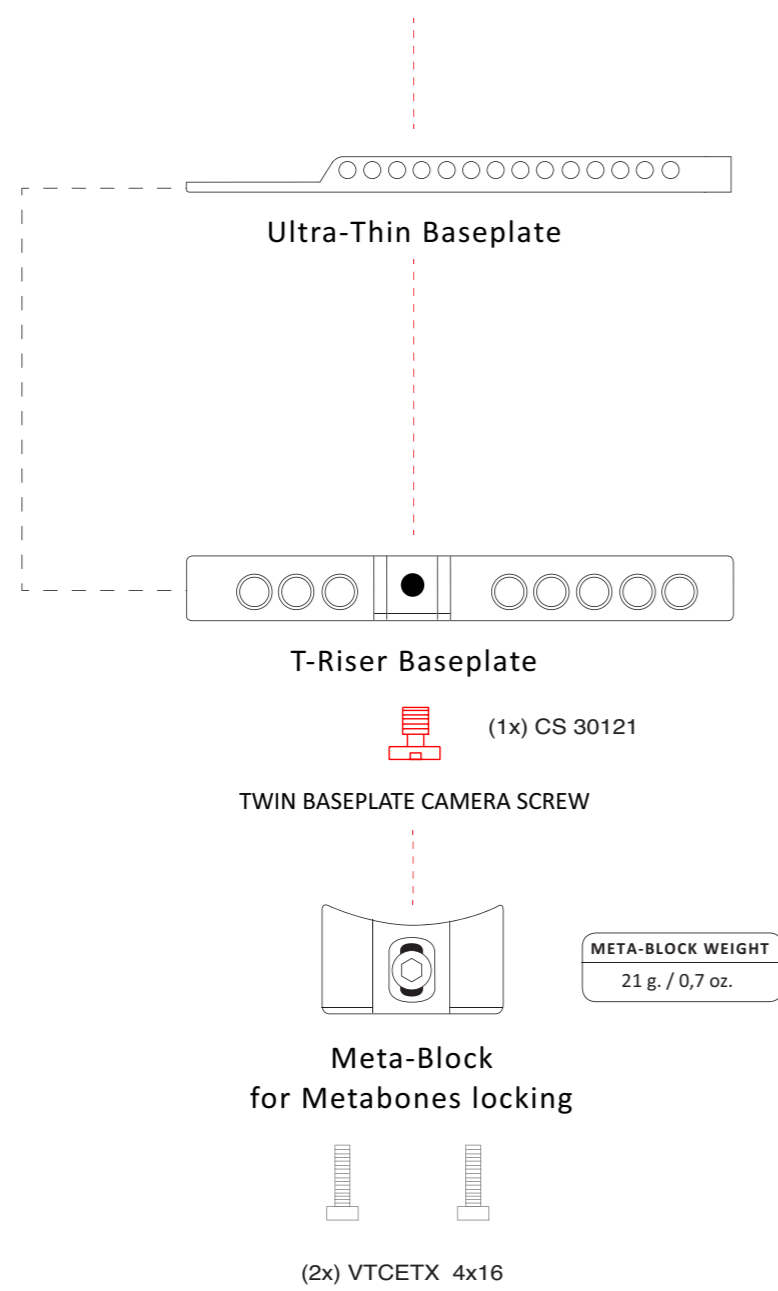


SONY E-MOUNT TO CANON EF MOUNT METABONES

WARNING:
COMPATIBLE WITH METABONES
EF - E - BM3 - BM4 - BT4
MB_SBEF - E - BT2



TPS* TWIN PLATE SYSTEM

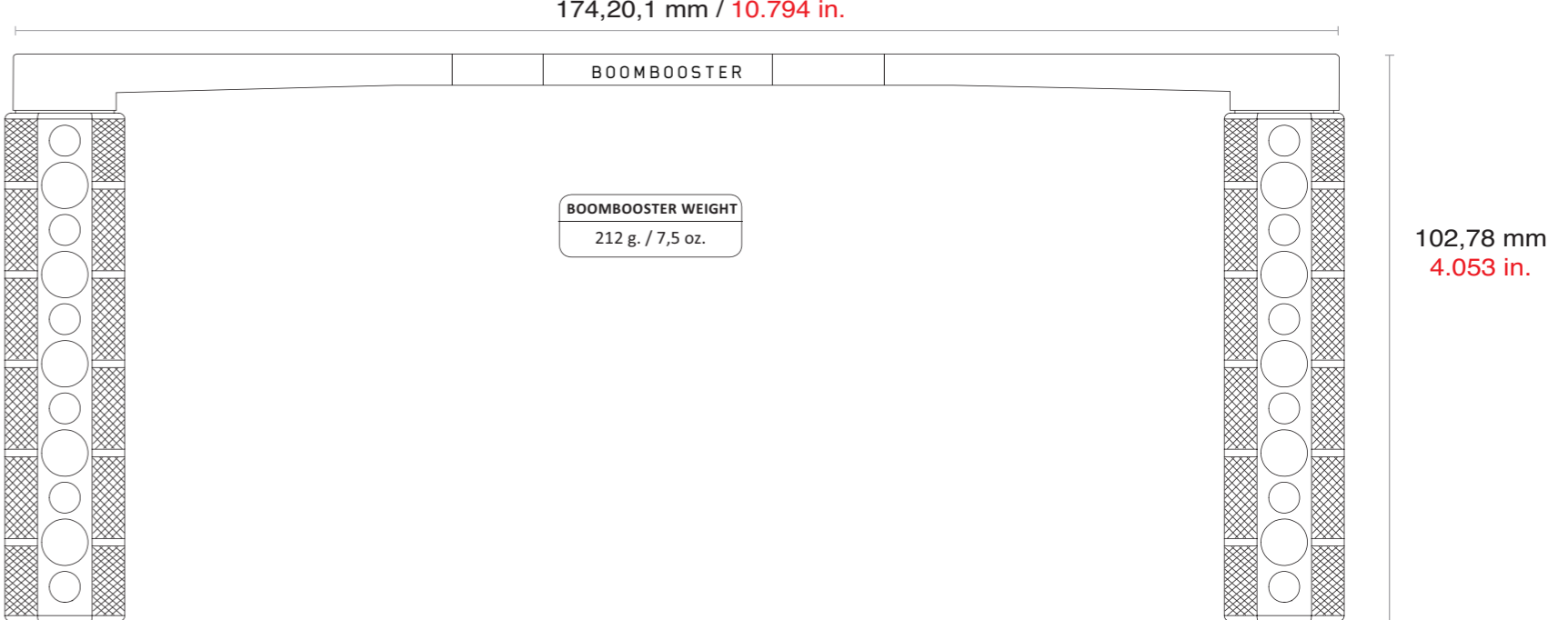
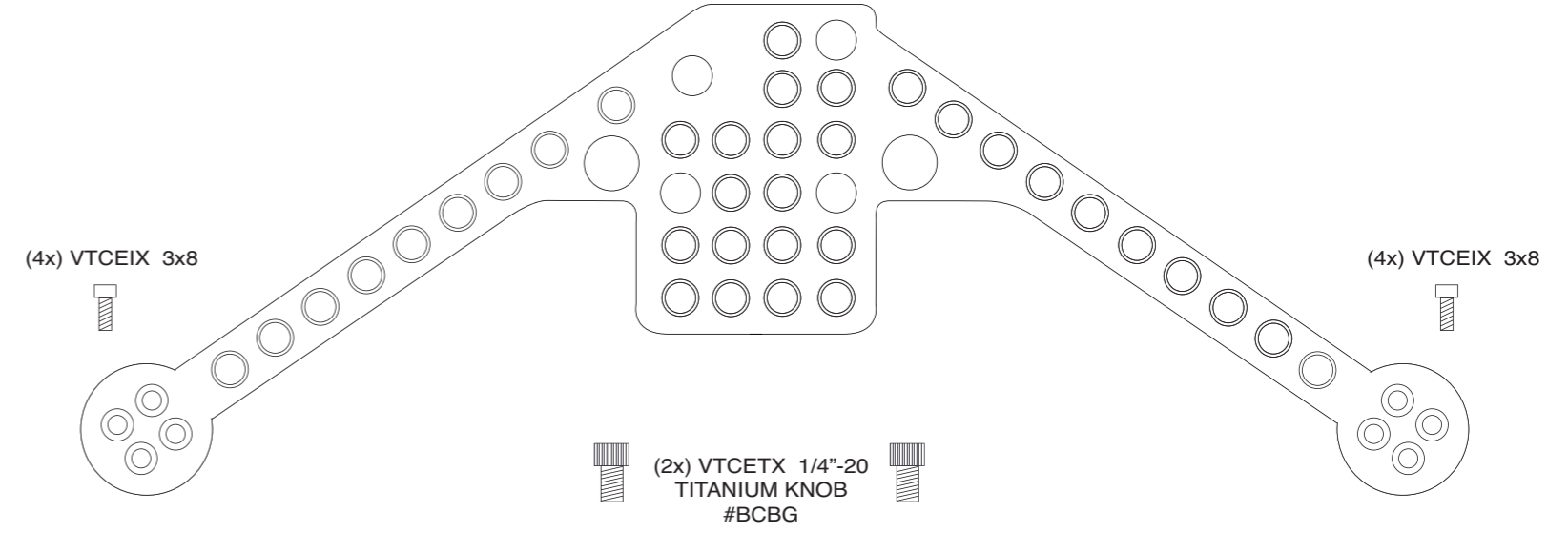
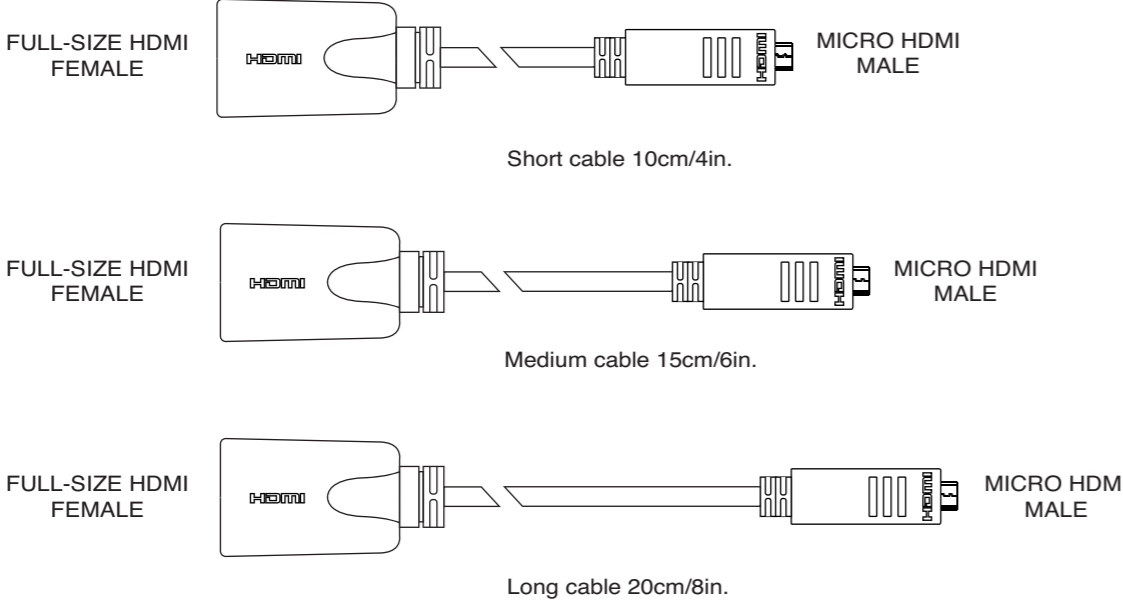
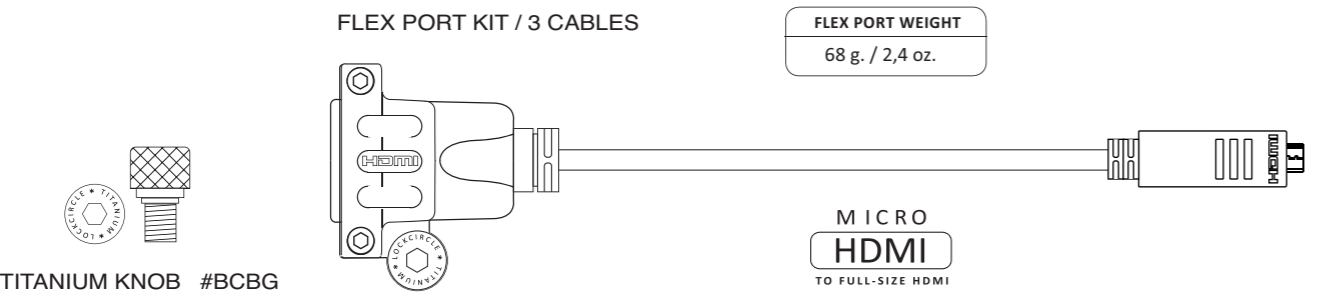
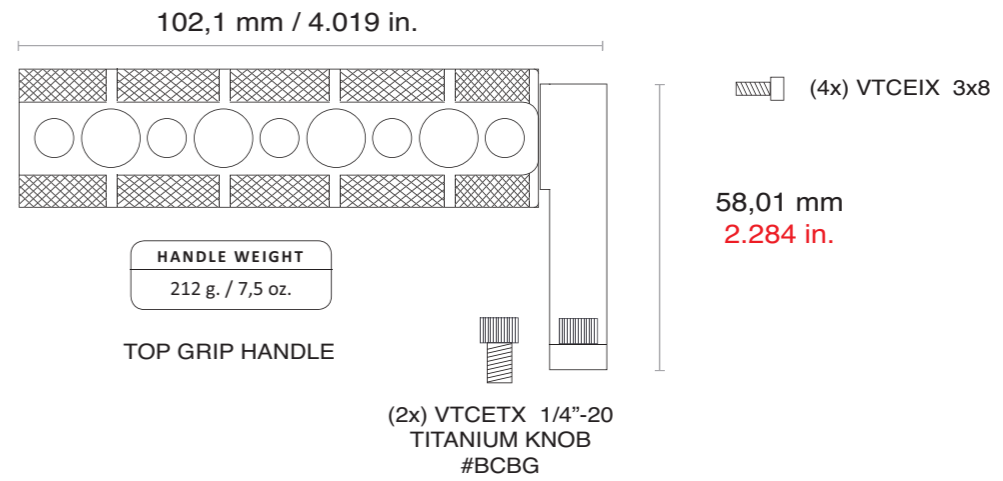
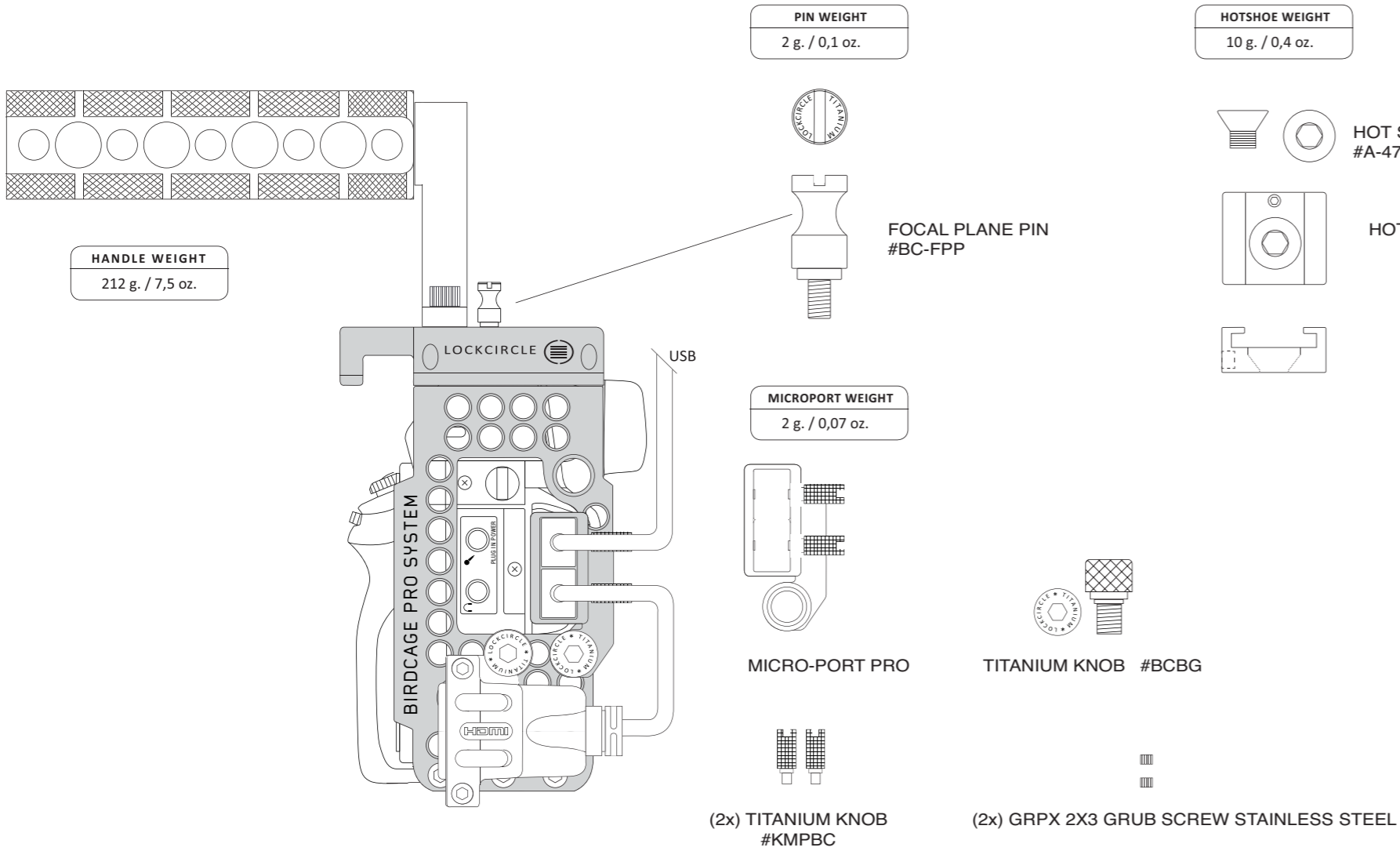


- ADAPTER 3/8" - 1/4"
- (1x) CS 30121 TWIN BASEPLATE CAMERA SCREW TITANIUM
- 1-THREAD 3/8"
- 1-THREADS 1/4"



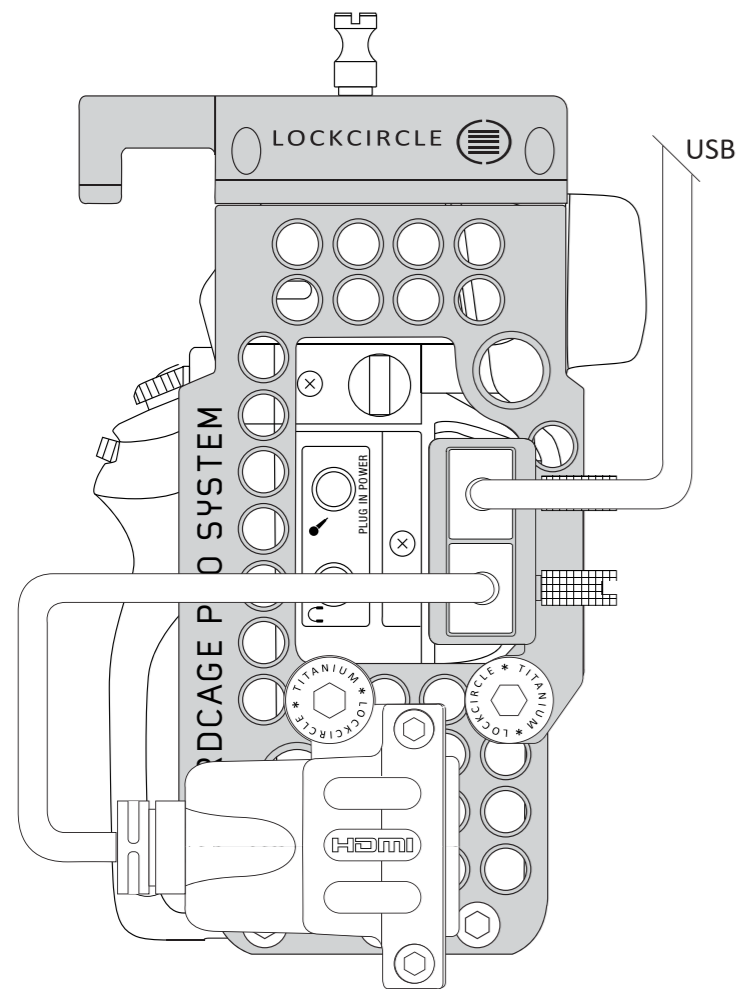
BIRDCAGE PRO

ACCESSORIES

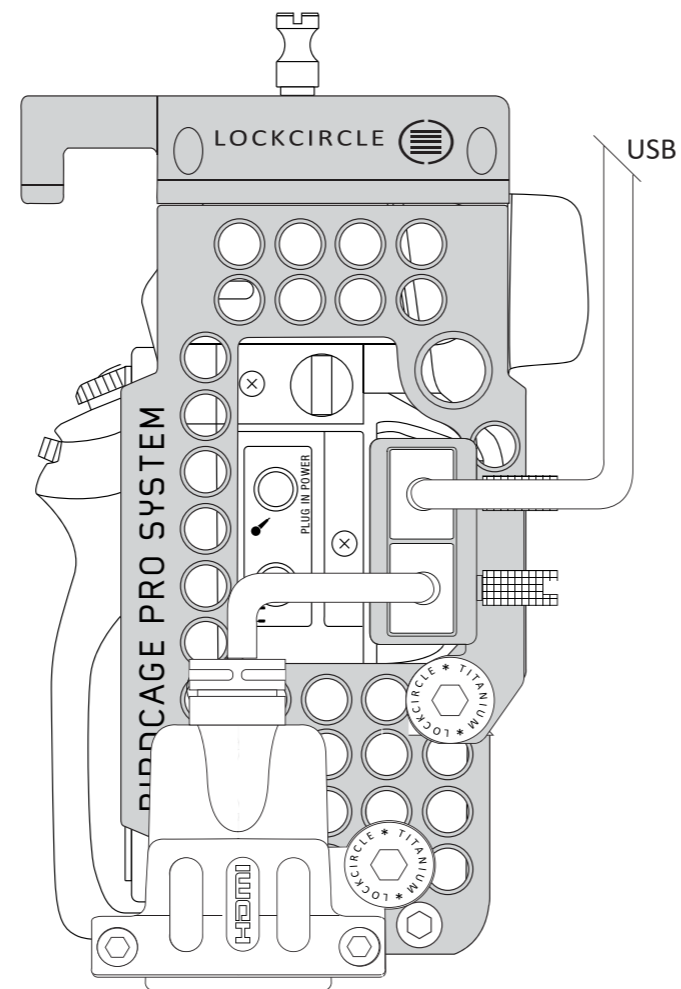


SET YOUR CAMERA HDMI PORT WHERE YOU NEED!

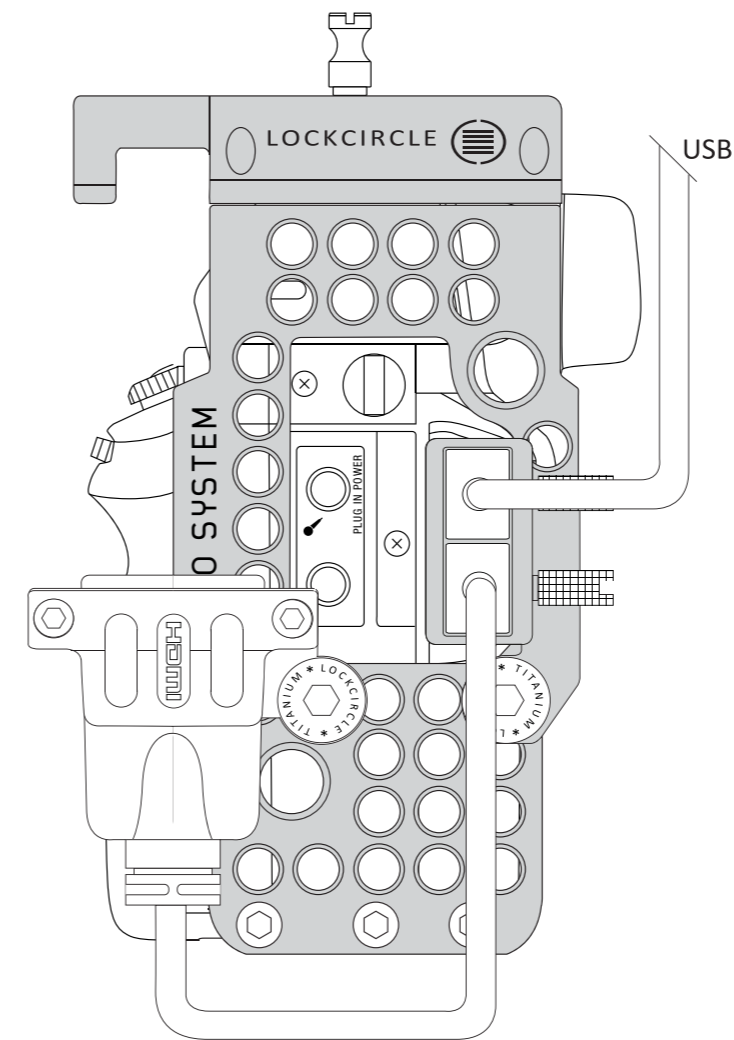
NEW MICROPORT FOR CAMERA MICRO HDMI / MINI USB LOCKING.



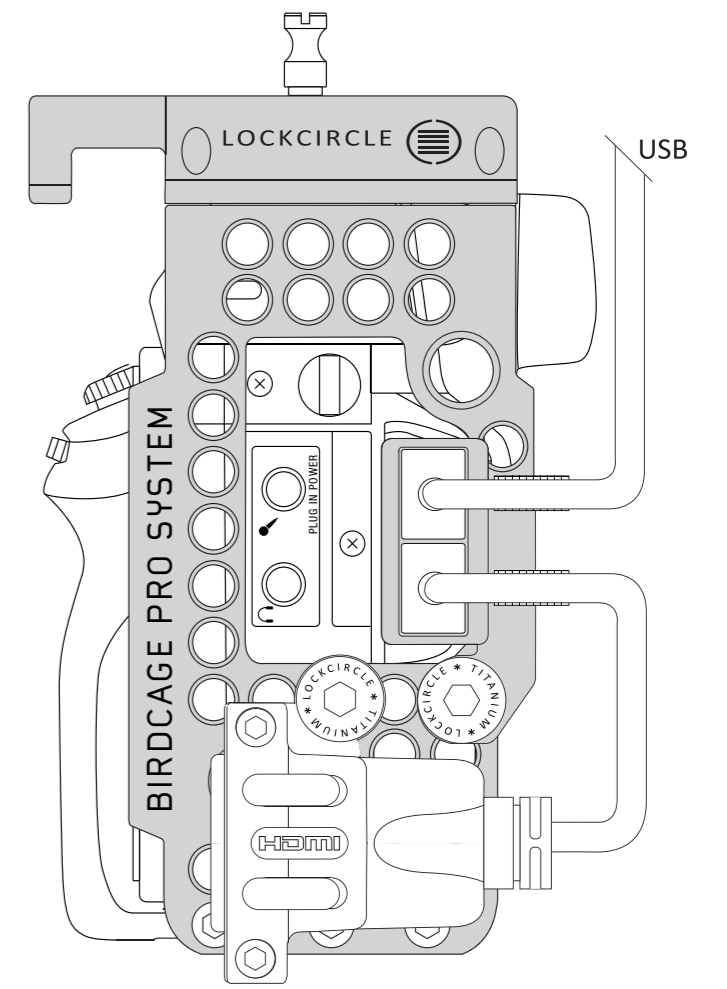
REAR OUTPUT



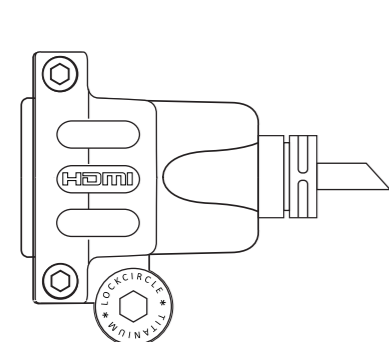
BOTTOM OUTPUT



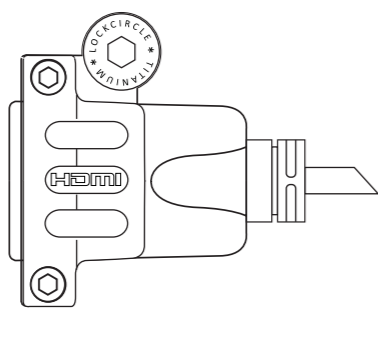
TOP OUTPUT



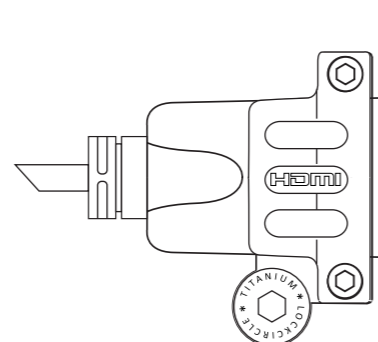
LEFT OUTPUT



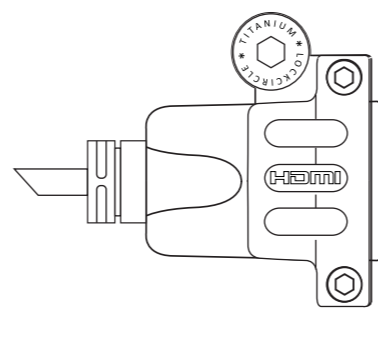
LEFT OUTPUT
BOTTOM MOUNT



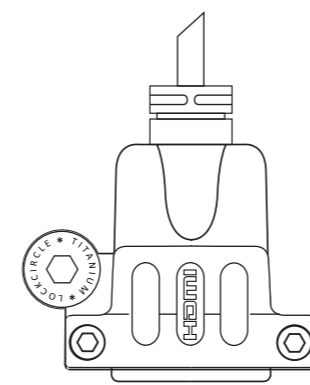
LEFT OUTPUT
TOP MOUNT



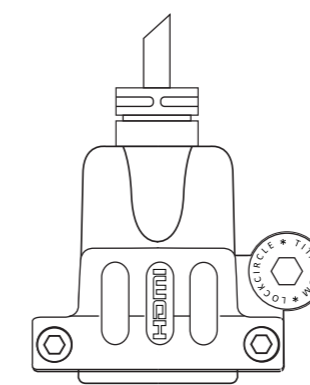
RIGHT OUTPUT
BOTTOM MOUNT



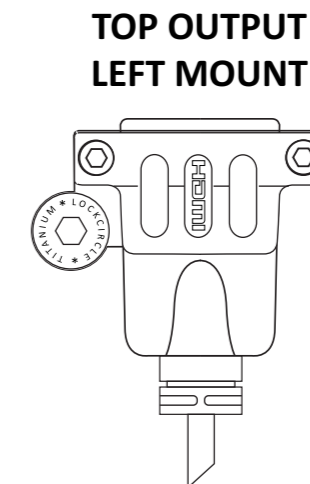
RIGHT OUTPUT
TOP MOUNT



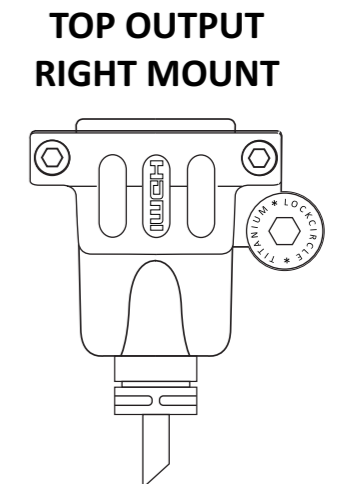
BOTTOM OUTPUT
LEFT MOUNT



BOTTOM OUTPUT
RIGHT MOUNT



TOP OUTPUT
LEFT MOUNT



TOP OUTPUT
RIGHT MOUNT

- double sided reversible plate for best mounting position - titanium knurled/hex locking knob -



Set your HDMI port output in the best position to reach viewfinders and monitors with a better cable layout on your rigs, improving gimbal balancing by unwanted cable pulling eliminating drag or erratic camera movements in your shots.

LOCKCIRCLE
CINEMATIC ENGINEERING

