

- ①
- ②
- ④
- ⑤

BCA7-KIT - BIRDCAGE A7 KIT

- ①
- ②
- ③
- ④
- ⑤

BCA7-BLE - BIRDCAGE A7 BUNDLE



BIRDCAGE

MODULAR PRODUCTION SYSTEM

TPS* TWIN PLATE SYSTEM

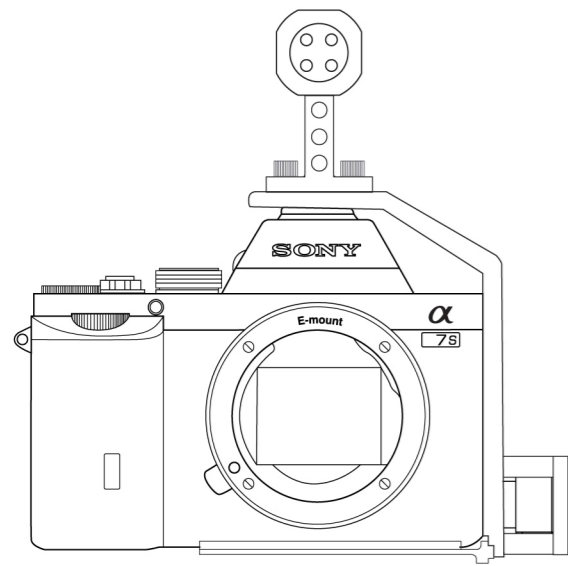
Innovative design, with Ultra-Thin baseplate to reach very low shooting angles, and incredible lightweight, working with gimbals and drones. T-Riser and Metaplate T-Riser works in combination offering several mounting choices.

IMS* INTELLIGENT MOUNT SYSTEM

A complete series of P+S Mount Adapters integrating exclusive Positive-Lock for cinema style lens mounting. The Lock-Mount interface connects to the IMS Plate creating a rock-solid monolithic shooting tool.

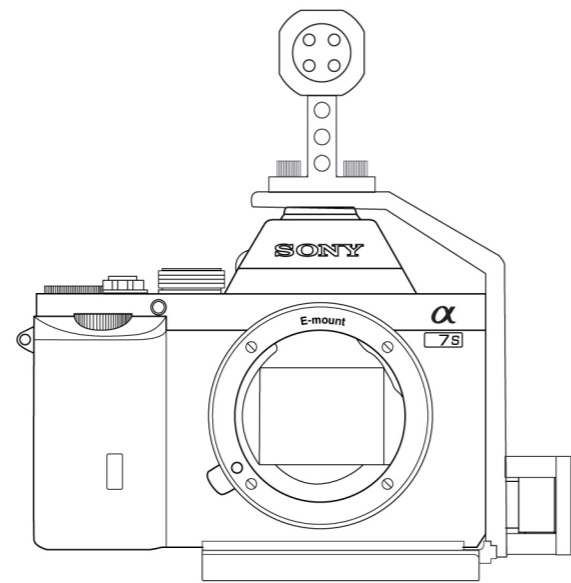
- ① BIRDCAGE A7
- ② LOCKPORT MICRO TU FULL-SIZE HDMI
- ③ # BC-TGH TOP GRIP HANDLE
- ④ A7 ULTRA-THIN T-PLATE (TWIN PLATE)
- ⑤ BCA7 BASEPLATE T-RISER (TWIN PLATE)
- ⑥ # BCA7-MPL METAPLATE T-RISER LOW
- ⑦ # BCA7-MPH METAPLATE M-RISER HIGH
- ⑧ # BCA7-IMSP IMS PLATE M-RISER HIGH
- ⑨ # BC-HS HOT SHOE
- ⑩ # BCA7-IMSPL P+S IMS PL MOUNT ADAPTER
- ⑪ # BCA7-IMS F P+S IMS NIKON F MOUNT ADAPTER
- ⑫ # BCA7-IMSEF P+S IMS CANON EF MOUNT ADAPTER

TPS* TWIN PLATE SYSTEM



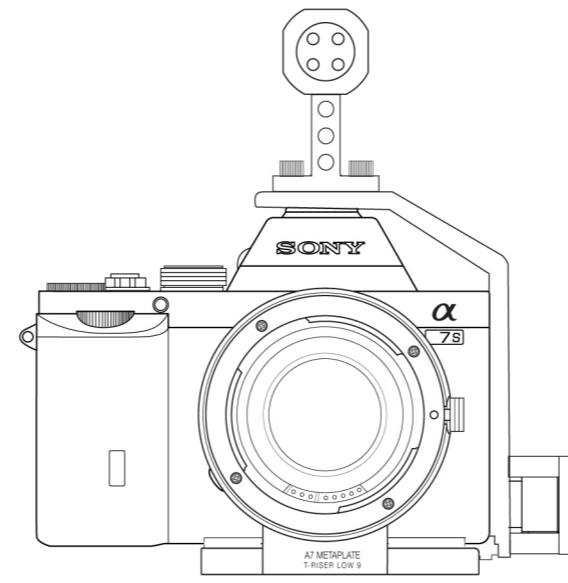
ULTRA-THIN T-PLATE

To reach very low shooting angles, and incredible lightweight, working with gimbals and drones.



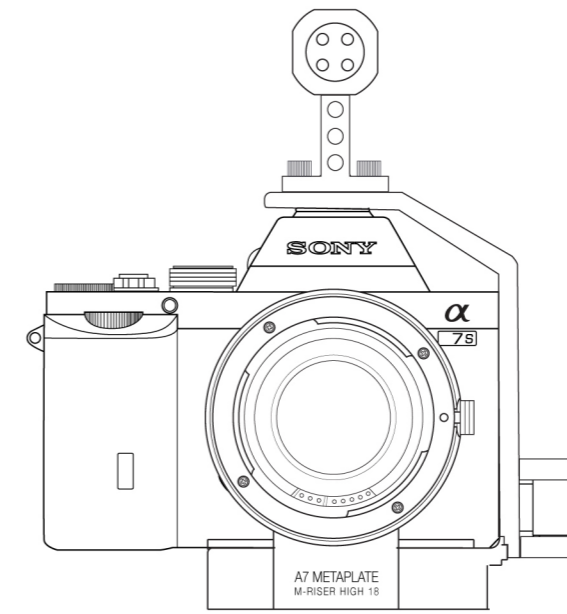
ULTRA-THIN T-PLATE

BASEPLATE T-RISER

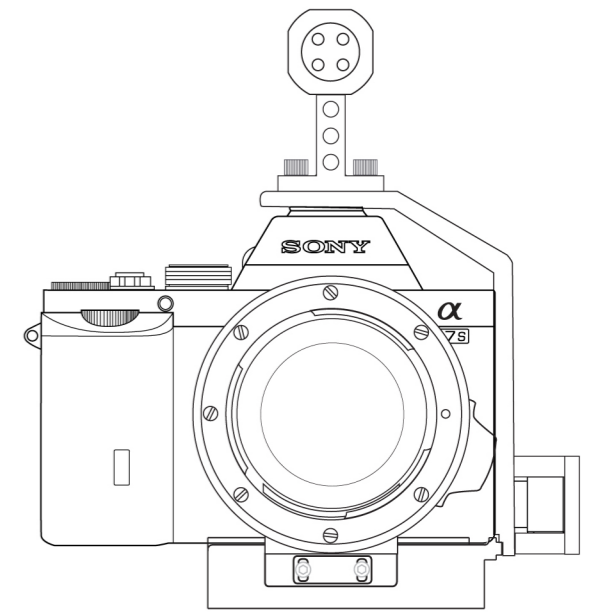


ULTRA-THIN T-PLATE

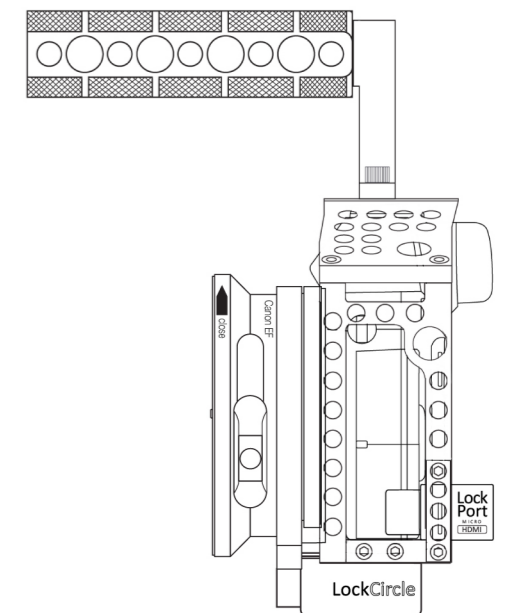
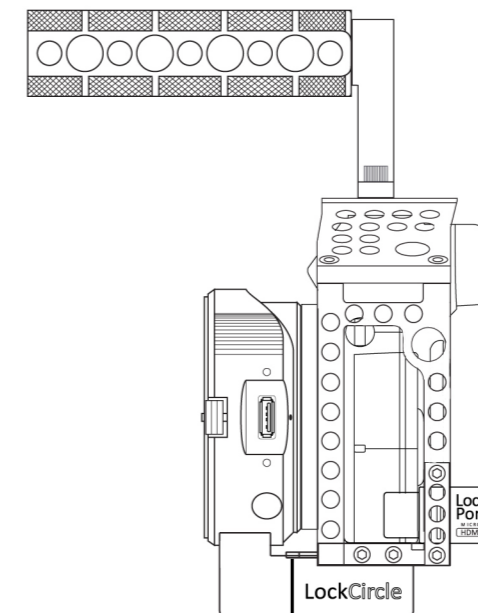
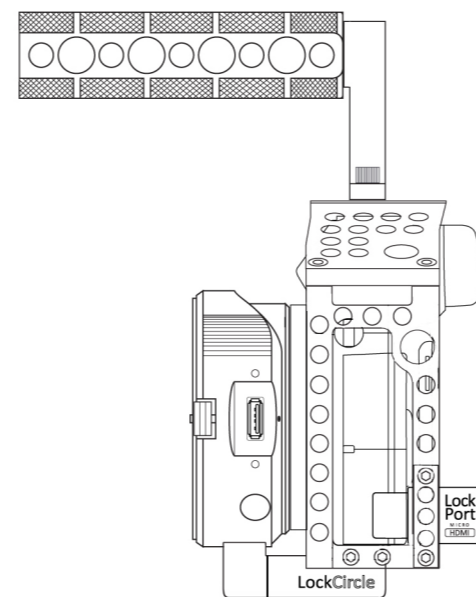
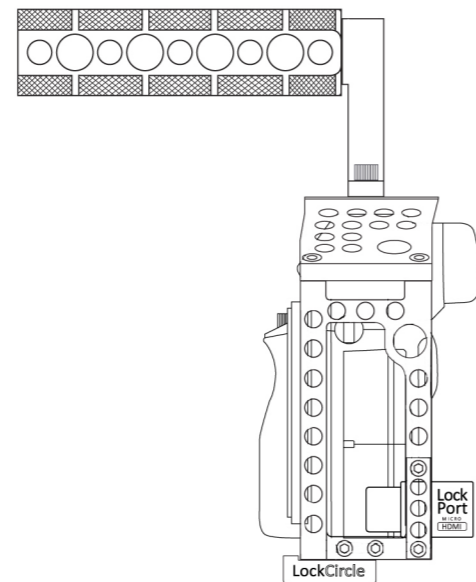
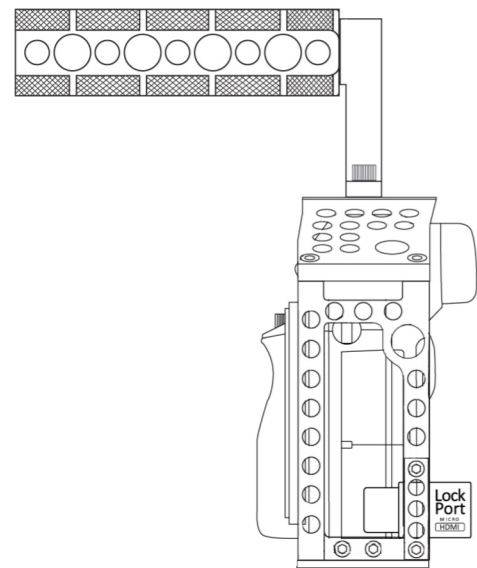
METAPLATE T-RISER LOW FOR METABONES SMART ADAPTER



METAPLATE M-RISER HIGH FOR METABONES SMART ADAPTER

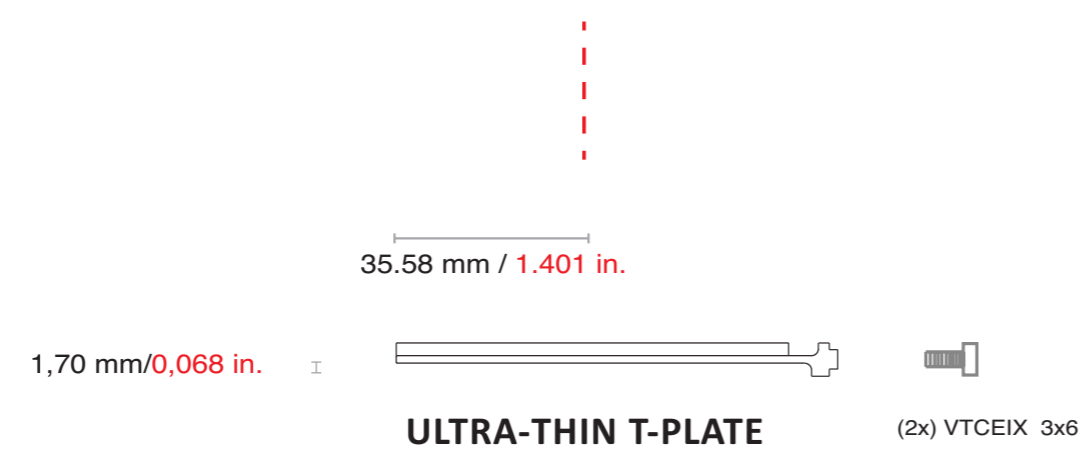
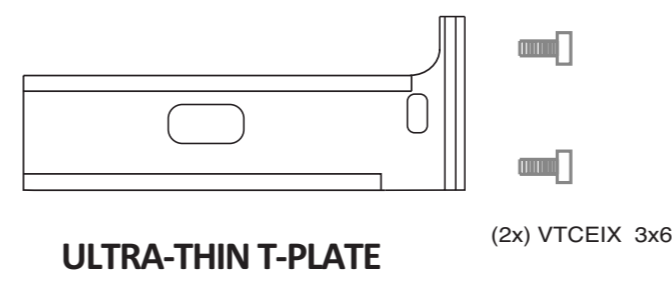
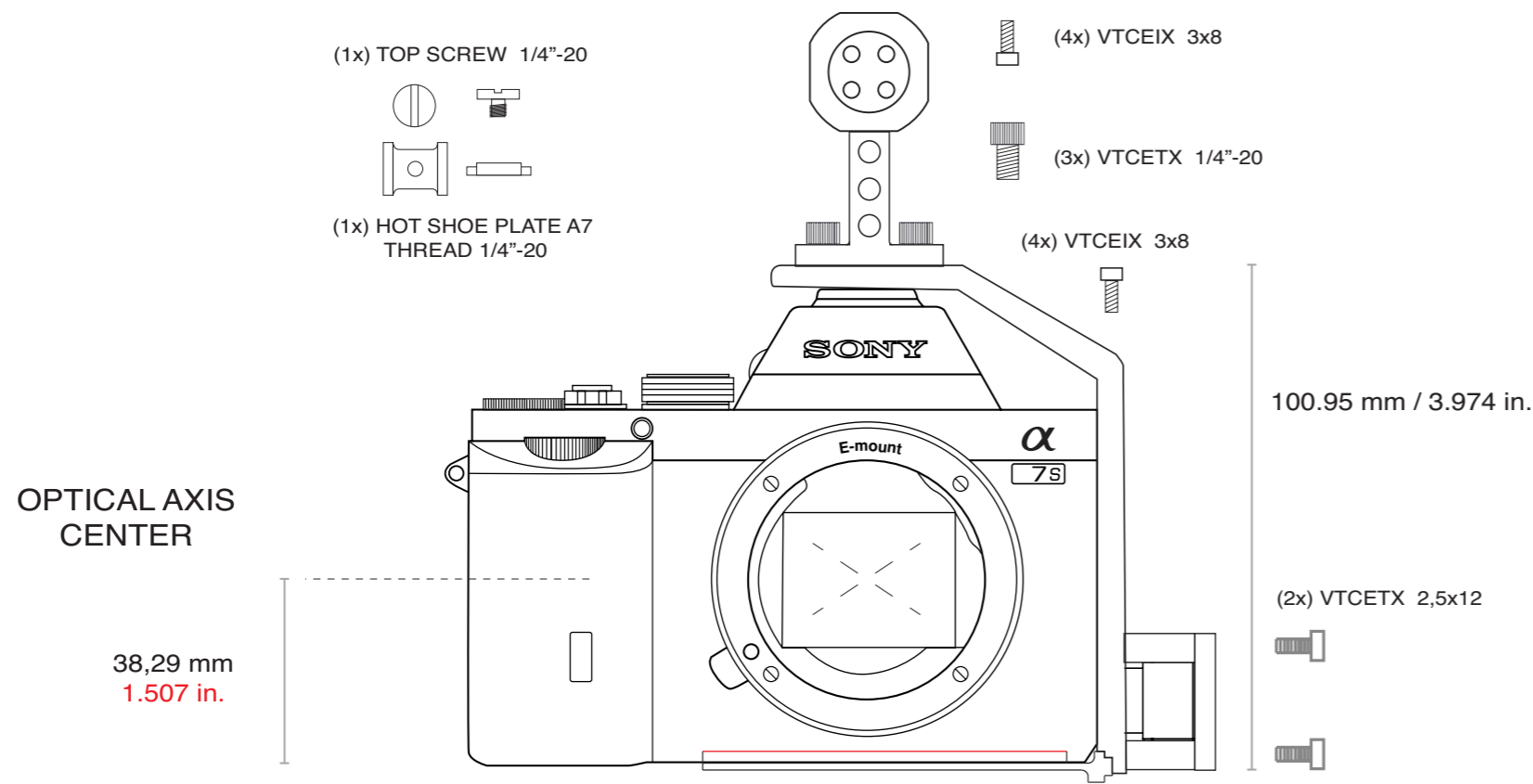


IMS PLATE M-RISER HIGH FOR P+S IMS MOUNT SYSTEM

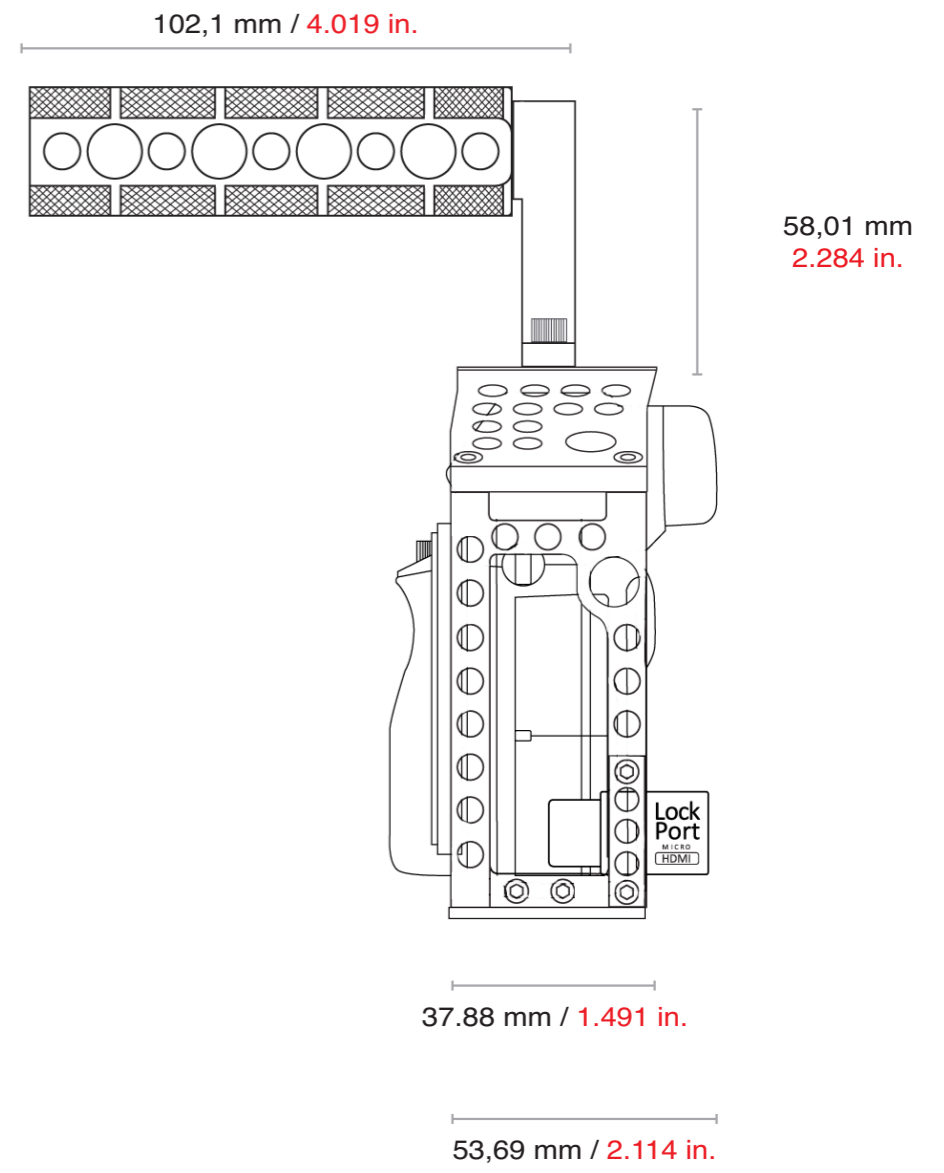


IMS* INTELLIGENT MOUNT SYSTEM

BIRDCAGE WITH ULTRA-THIN T-PLATE (TWIN PLATE SYSTEM)



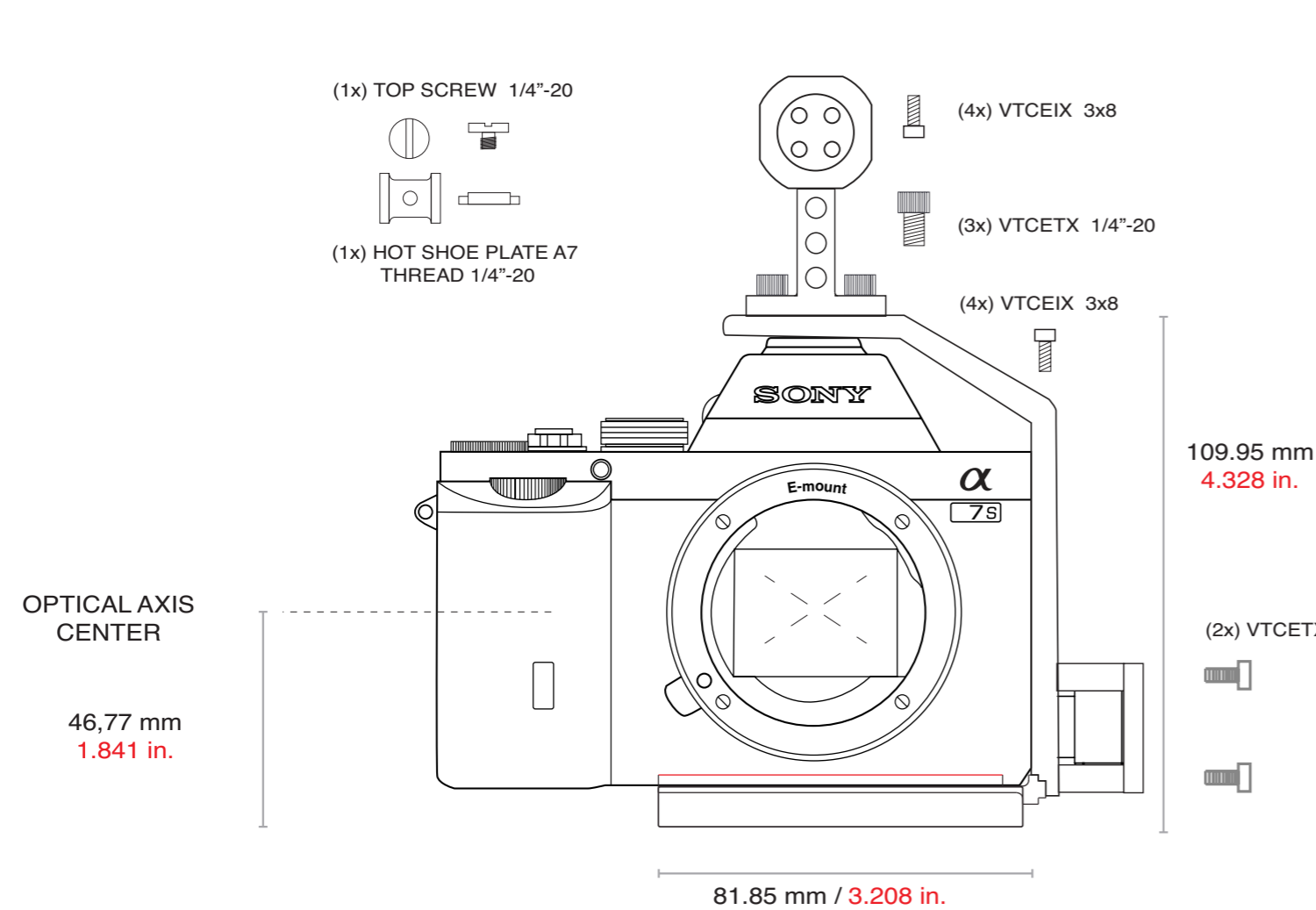
FITS EVERY STANDARD CAMERA MOUNTING SCREW



TPS* TWIN PLATE SYSTEM

Innovative design, with Ultra-Thin baseplate to reach very low shooting angles, and incredible lightweight, working with gimbals and drones. T-Riser and Metaplate T-Riser works in combination offering several mounting choices.

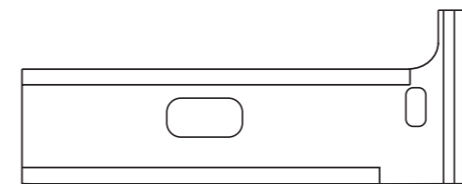
BIRDCAGE WITH ULTRA-THIN T-PLATE + BASEPLATE T-RISER (TWIN PLATE SYSTEM)



TPS* TWIN PLATE SYSTEM

Innovative design, with Ultra-Thin baseplate to reach very low shooting angles, and incredible lightweight, working with gimbals and drones. T-Riser and Metaplate T-Riser works in combination offering several mounting choices.

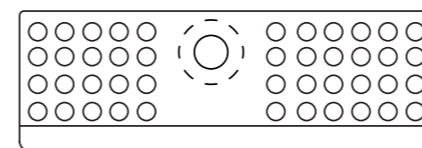
(2x) VTCEIX 2,5x12



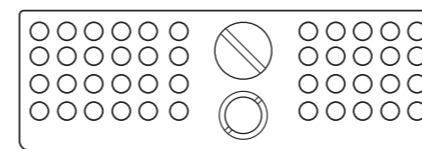
ULTRA-THIN T-PLATE

(2x) VTCEIX 3x6

BASEPLATE T-RISER



TOP VIEW

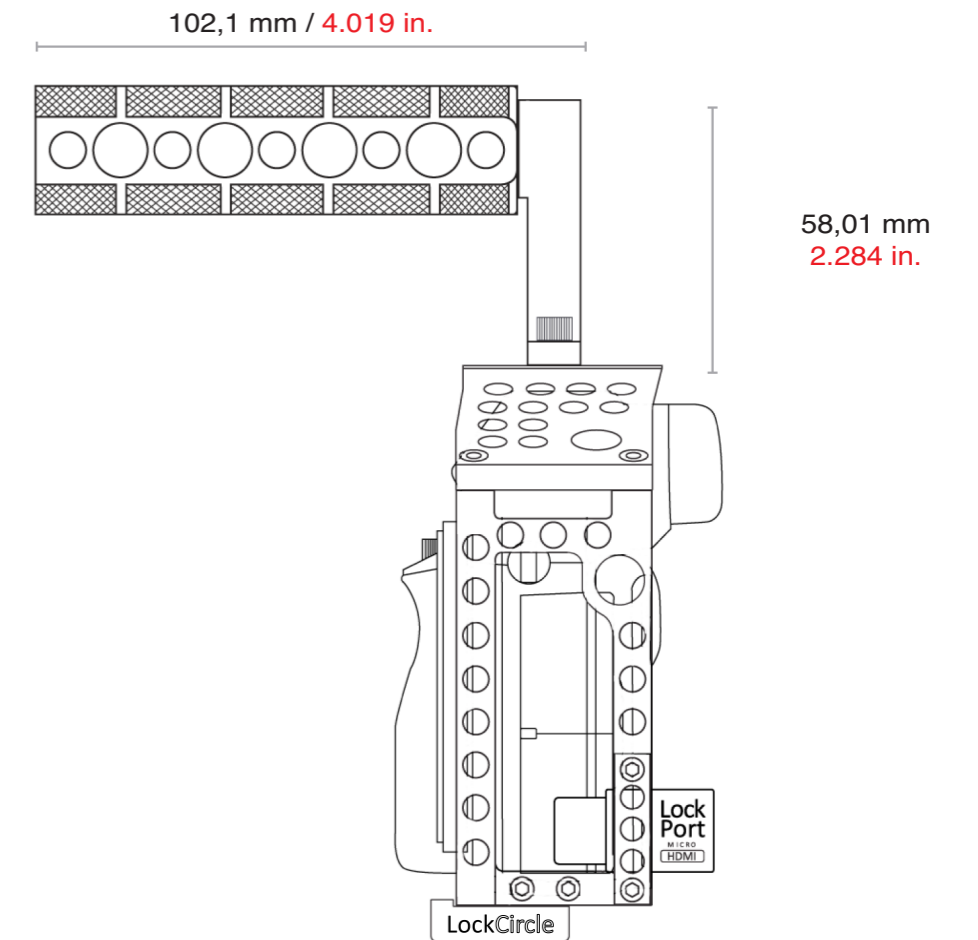


BOTTOM VIEW

(1x) CS 30121
TWIN BASEPLATE CAMERA SCREW

ADAPTER 3/8" - 1/4"

1-THREAD 3/8"



1,70 mm / 0,068 in.



ULTRA-THIN T-PLATE

(2x) VTCEIX 3x6

37.98 mm / 1.475 in.



BASEPLATE T-RISER

9 mm
0.355 in.



(1x) CS 30121

TWIN BASEPLATE CAMERA SCREW

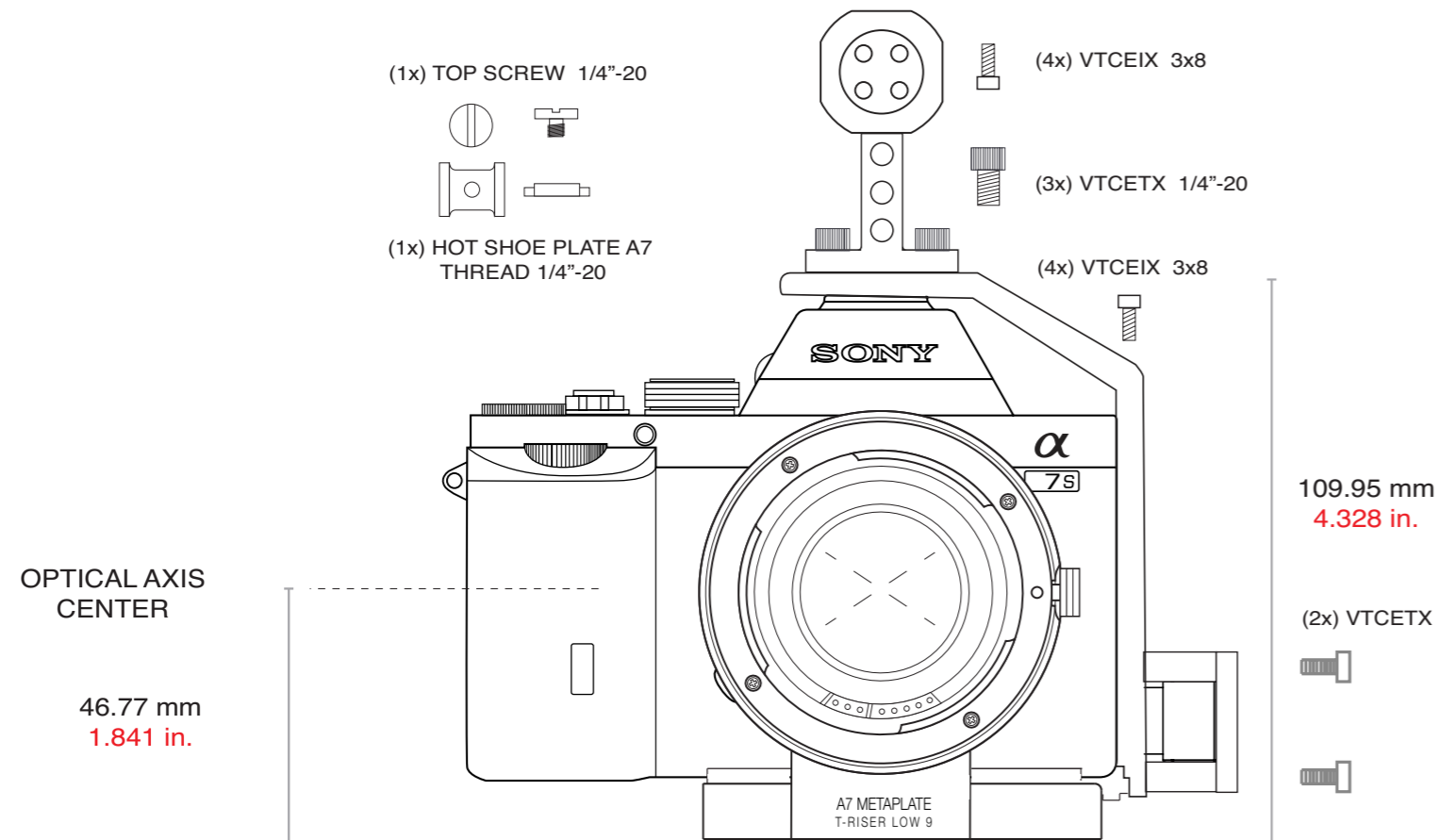
TPS* TWIN PLATE SYSTEM

www.lockcircle.com

LockCircle™

BIRDCAGE
MODULAR PRODUCTION SYSTEM

BIRDCAGE WITH ULTRA-THIN PLATE + METAPLATE T-RISER LOW (TWIN PLATE) FOR METABONES SMART ADAPTER



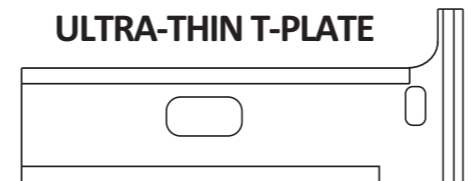
OPTICAL AXIS CENTER
46.77 mm
1.841 in.

109.95 mm
4.328 in.

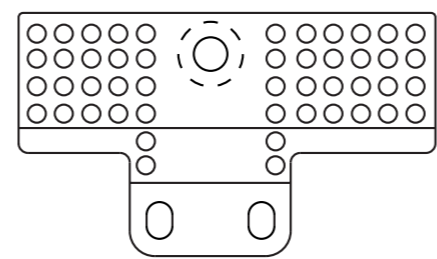
81.50 mm / 3.208 in.

TPS* TWIN PLATE SYSTEM

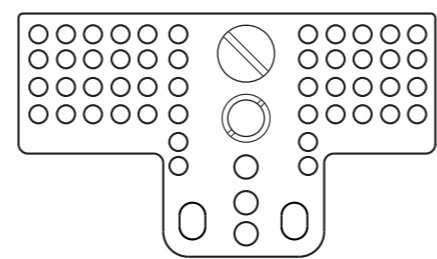
Innovative design, with Ultra-Thin baseplate to reach very low shooting angles, and incredible lightweight, working with gimbals and drones. T-Riser and Metaplate T-Riser works in combination offering several mounting choices.



METAPLATE T-RISER LOW FOR METABONES SMART ADAPTER

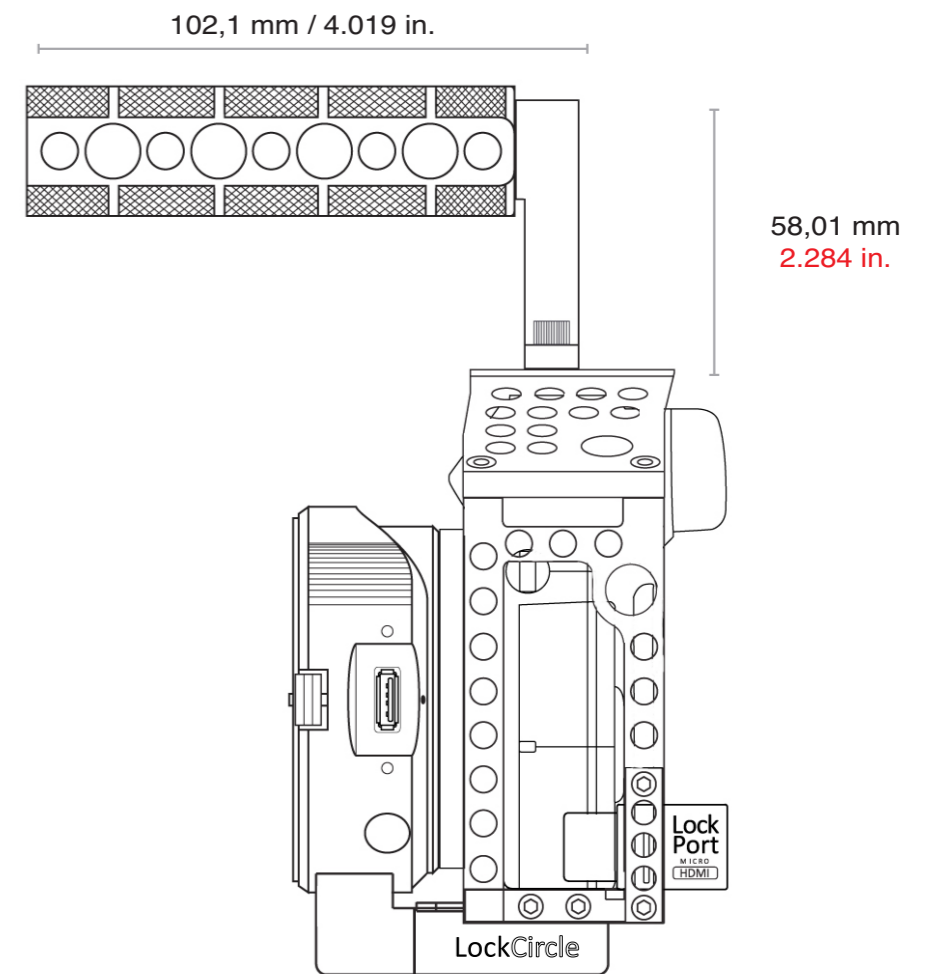


TOP VIEW



BOTTOM VIEW

- (1x) CS 30121 TWIN BASEPLATE CAMERA SCREW
- ADAPTER 3/8" - 1/4"
- 1-THREAD 3/8"
- 3-THREADS 1/4"

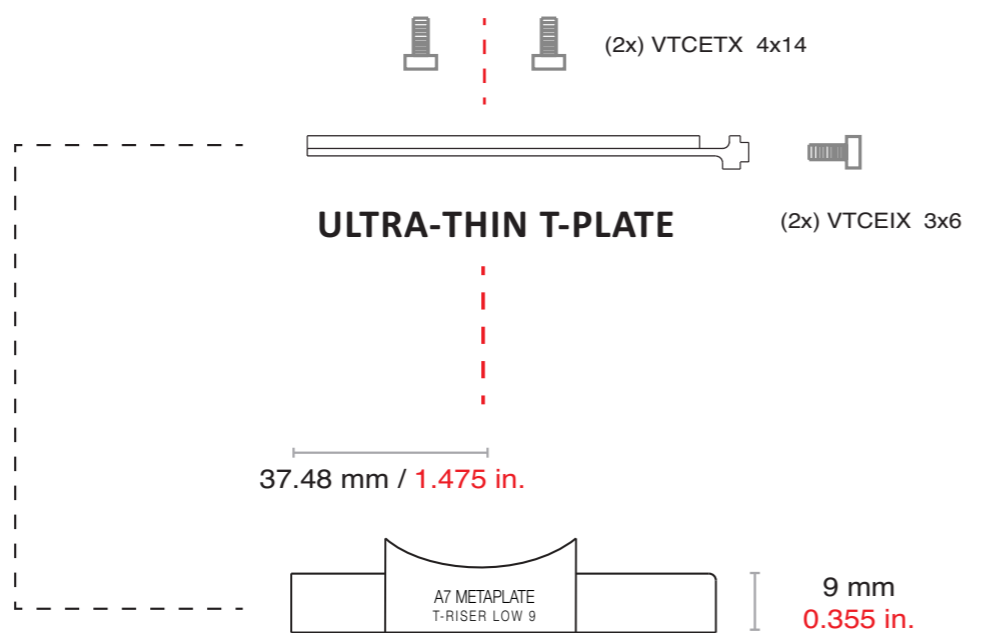


(2x) VTCEIX 4x14

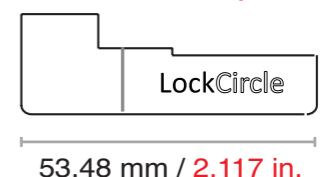
38.14 mm / 1.501 in.

53.86 mm / 2.121 in.

TPS* TWIN PLATE SYSTEM

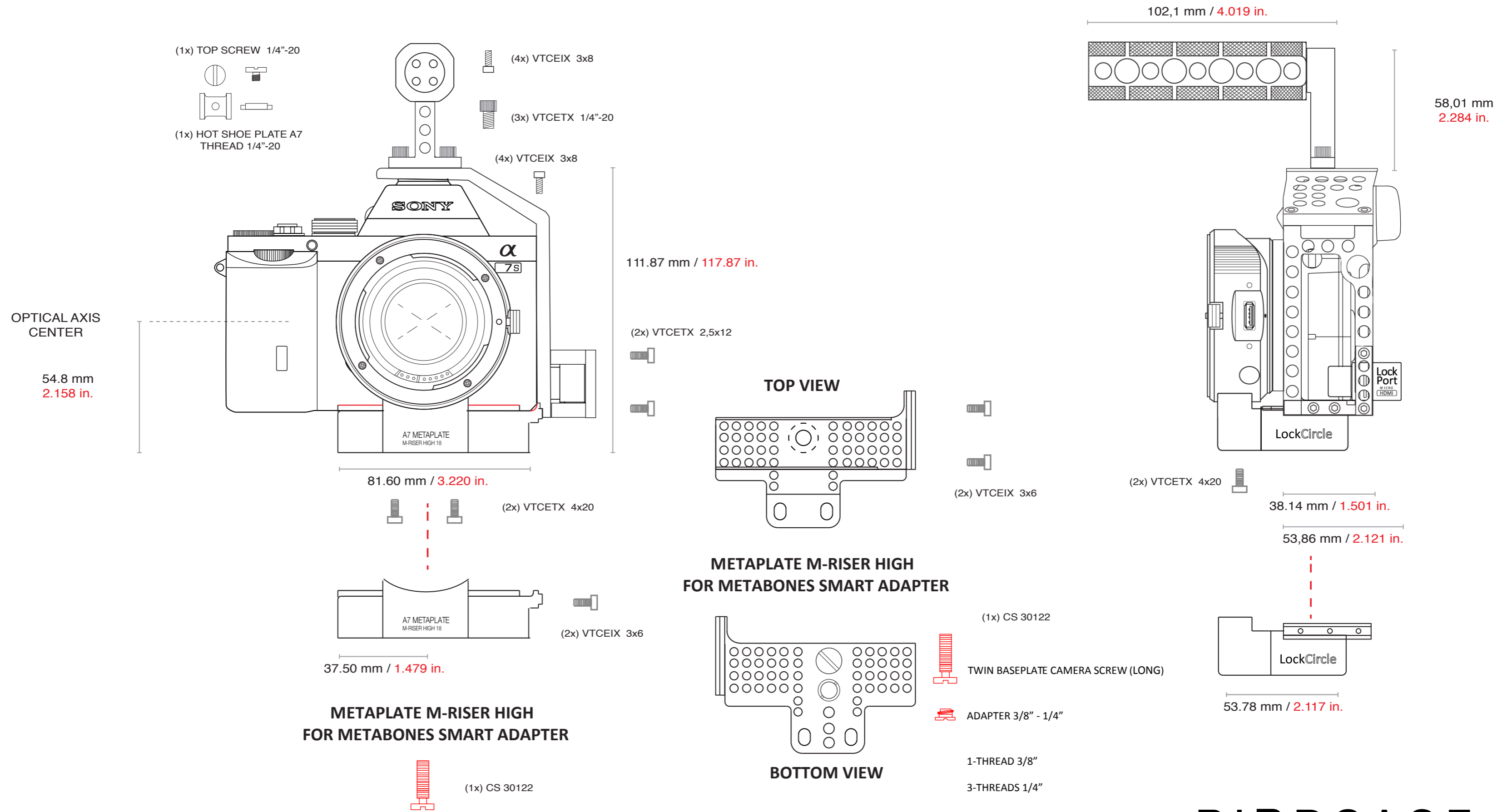


METAPLATE T-RISER LOW FOR METABONES SMART ADAPTER



53.48 mm / 2.117 in.

BIRDCAGE WITH METAPLATE M-RISER HIGH FOR METABONES SMART ADAPTER



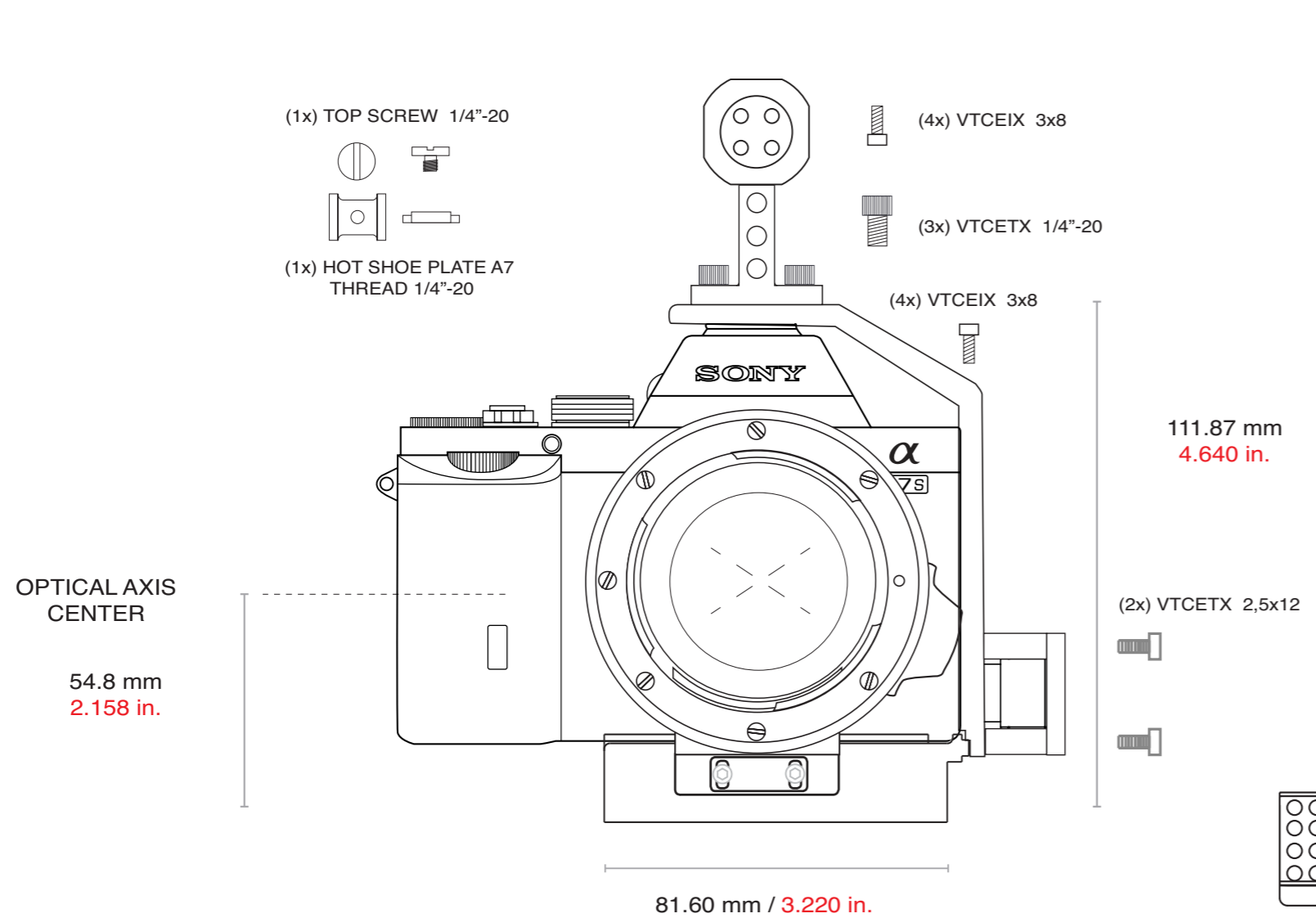
www.lockcircle.com

LockCircle™

TWIN BASEPLATE CAMERA SCREW (LONG)

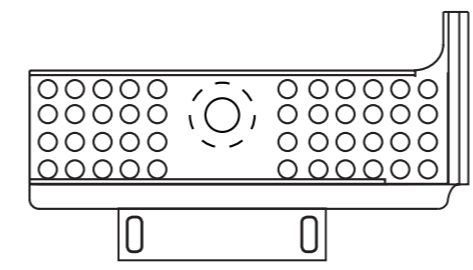
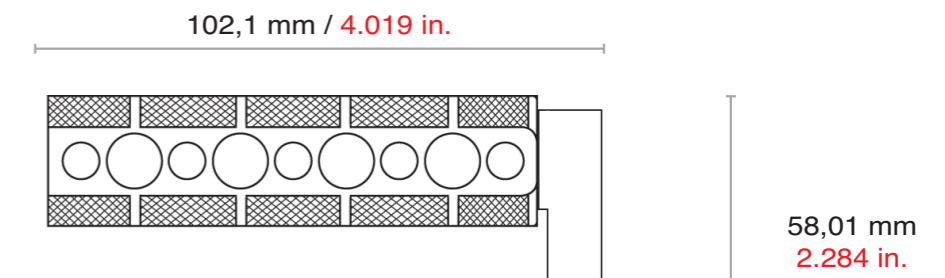
BIRDCAGE
MODULAR PRODUCTION SYSTEM

BIRDCAGE WITH IMS PLATE M-RISER HIGH FOR P+S IMS MOUNT SYSTEM

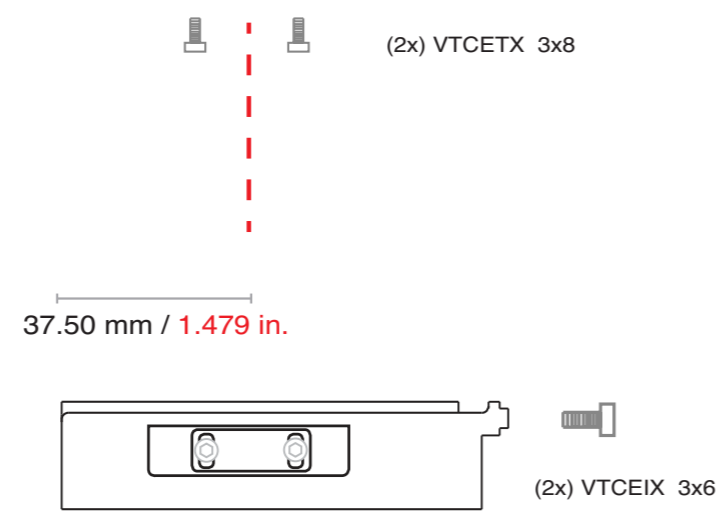
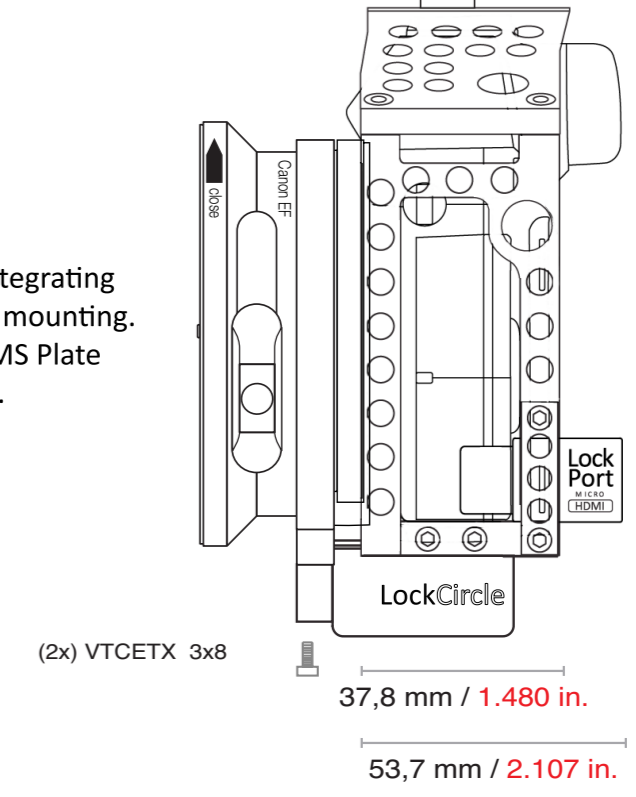


IMS* INTELLIGENT MOUNT SYSTEM

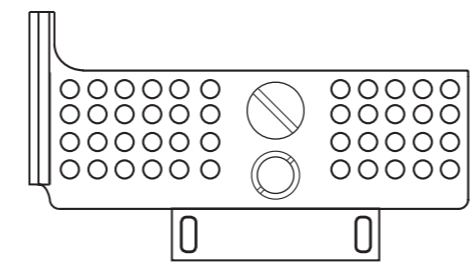
A complete series of P+S Mount Adapters integrating exclusive Positive-Lock for cinema style lens mounting. The Lock-Mount interface connects to the IMS Plate creating a rock-solid monolithic shooting tool.



TOP VIEW

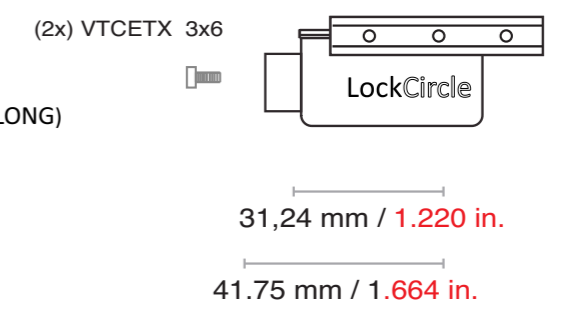


IMS PLATE M-RISER HIGH FOR P+S IMS MOUNT SYSTEM



BOTTOM VIEW

- (1x) CS 30122
TWIN BASEPLATE CAMERA SCREW (LONG)
- ADAPTER 3/8" - 1/4"
- 1-THREAD 3/8"



www.lockcircle.com

LockCircle™

(1x) CS 30122
 TWIN BASEPLATE CAMERA SCREW (LONG)

BIRDCAGE
 MODULAR PRODUCTION SYSTEM