



Oben™

Camera Grip with Arca Plate



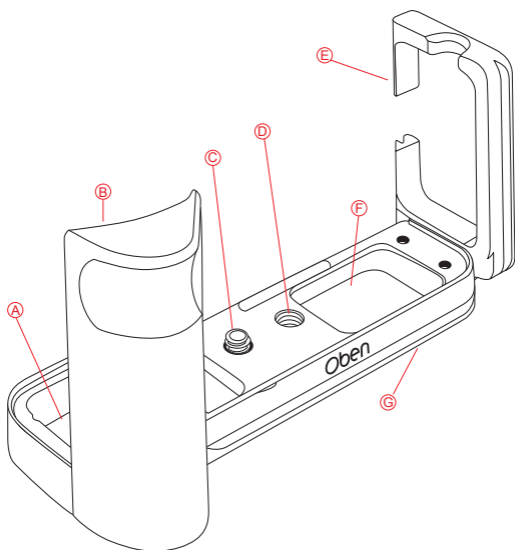
You're on steady ground™

Thank You for choosing Oben!

The Oben camera grip optimizes your mirrorless camera's handling. It's stylish and made from milled-aluminum alloy that is satin anodized, and it's machined to fit your camera body seamlessly. Each part of the grip can be removed based on your shooting needs. The ergonomic grip provides more surface area for a secure hold in your hand. You can easily attach the baseplate to your camera's tripod socket by using a screwdriver or coin, and still access the battery compartment. The baseplate works with Arca-type tripod heads, as well as standard 1/4"-20 tripod mounts.

Note: Images are for illustrative purposes only. Actual product may vary.

Key Features	3
Connecting the Grip to Your Camera	4
Specifications	5
Warnings	5
Warranty Information	6



Ⓐ Battery compartment access port Ⓒ Baseplate

Ⓑ Hand grip (removable)

Ⓒ 1/4" - 20 camera mounting screw

Select Models Include:

Ⓓ 1/4" - 20 tripod socket

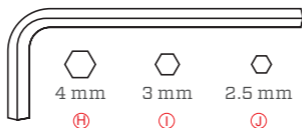
Ⓗ 4 mm hex wrench

Ⓔ Vertical plate (removable)

Ⓘ 3 mm hex wrench

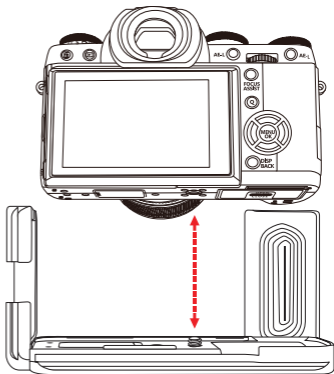
Ⓕ Alternate camera access port

Ⓙ 2.5 mm hex wrench

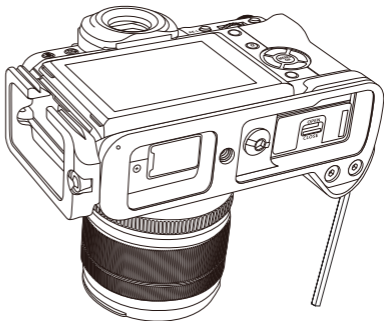


Connecting the Grip to Your Camera

1. Align the camera mounting screw with your camera's tripod socket.
2. Place the camera into the grip. Keep in mind that the camera strap connectors may have to be repositioned for a proper fitting.



3. Tighten the mounting screw with a screwdriver, coin, or the included hex wrench.



Note: To remove the grip or vertical plate from the baseplate, use one of the included hex wrenches.

Material	CNC milled-aluminum alloy
Finish	Satin anodized
Mounts	1/4" – 20

For dimensions and weight, please visit the Oben website at www.obensupports.com.

**Warnings:**

- *Please read and follow these instructions, and keep this manual in a safe place.*
- *Make sure the item is intact and there are no missing parts.*
- *Make sure everything is secure before use.*
- *Keep out of reach of children.*

*Visit our website at **ObenSupports.com**
for more Oben products.*

WARRANTY

Limited Warranty

This warranty (“Warranty”) sets forth the warranty provider’s responsibilities regarding Warranty service in the unlikely event of a defect. Purchaser is advised to read this warranty carefully.

Term and Extent of Warranty

This product is warranted, to the original purchaser only (“Purchaser”), to be free of defects in material and workmanship for a period of one (1) year from the original purchase date (the “Warranty Period”) or thirty (30) days after replacement, whichever occurs later. If any part or portion of this product fails to conform to the Warranty within the Warranty Period, the warranty provider will, at its option, either replace or repair the defective portion or part. This Warranty extends only to purchases made within the United States or Canada and is neither transferable nor assignable.

THIS WARRANTY DOES NOT COVER DAMAGE OR DEFECT CAUSED BY misuse, improper handling, negligence, inappropriate on-site operating conditions, repair by personnel not authorized by the warranty provider, accident in transit, tampering, alterations, a change in location or operating use, exposure to the elements, Acts of God, theft or installation contrary to the warranty provider’s recommendations or specifications, or if the manufacturer’s serial number has been removed or otherwise altered in any manner.

Additional Information

THIS WARRANTY SETS FORTH PURCHASER’S SOLE AND EXCLUSIVE REMEDY AND IS IN LIEU OF AND EXCLUDES ALL OTHER WARRANTIES, EXPRESS OR IMPLIED, INCLUDING MERCHANTABILITY AND FITNESS FOR A PARTICULAR PURPOSE. REPAIR OR REPLACEMENT OF A DEFECTIVE PRODUCT DOES NOT EXTEND THE ORIGINAL WARRANTY PERIOD. WARRANTY PROVIDER IS NOT LIABLE FOR INDIRECT, SPECIAL, INCIDENTAL, OR CONSEQUENTIAL DAMAGES OF ANY KIND, INCLUDING WITHOUT LIMITATION LOST PROFITS, BUSINESS INTERRUPTION OR LOSS OF DATA, WHETHER ANY CLAIM IS BASED UPON THEORIES OF CONTRACT, NEGLIGENCE, STRICT LIABILITY, TORT, OR OTHERWISE. WARRANTY PROVIDER’S LIABILITY IN ANY EVENT SHALL NOT EXCEED THE NET PRODUCT PURCHASE PRICE OF THE WARRANTED PRODUCT. NO SALESPERSON, EMPLOYEE OR AGENT OF THE WARRANTY PROVIDER IS AUTHORIZED TO ALTER THE TERMS OF THIS WARRANTY.

The warranty provider's obligations are conditioned upon timely receipt of full payment of the product purchase price and any other amounts due. If any provision of this Warranty is found invalid and/or unenforceable by a Court of competent jurisdiction, the remaining terms and provisions shall continue in full force and effect.

This Warranty represents the entire agreement between the warranty provider and Purchaser with respect to the subject matter herein and supersedes all prior or contemporaneous oral or written communications, representations, understandings or agreements relating to this subject. This Warranty shall be governed by and construed under New York State law, irrespective of any conflict of laws rules. The State Courts in New York County, New York State shall have exclusive jurisdiction over any disputes arising out of this Warranty.

Warranty Claims Procedure

In the event of a Warranty claim, the Purchaser shall contact Customer Support at www.obensupports.com, or by calling 212-594-2353 to obtain a Return Merchandise Authorization (RMA) number, and return the defective product along with the RMA and proof of purchase. Subject to the limitations specified herein, the warranty provider will repair or replace the defective product without charge for material. This Warranty does not cover labor costs. All shipping costs are Purchaser's responsibility, and shipping of the defective product is at the purchaser's own risk. Warranty coverage will be extended only if the warranty provider's inspection discloses the claimed defect and shows no signs of treatment or use that would void the coverage of this Warranty. All defective products and component parts replaced under this warranty become the property of the warranty provider.



*Product warranty provided by the Gradus Group.
www.gradusgroup.com*

*Oben is a registered trademark of the Gradus Group.
© 2016 Gradus Group LLC. All Rights Reserved.*



© 2016 Gradus Group LLC. All Rights Reserved.
All other trademarks are the property of their respective owners.