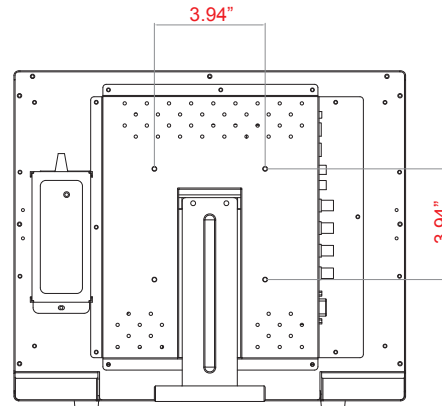
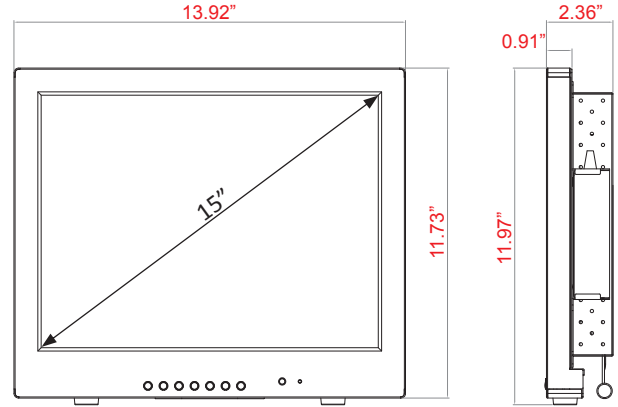




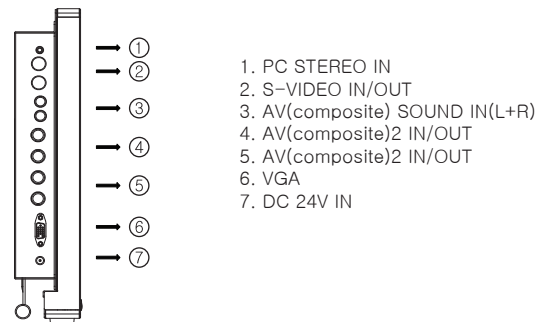
VZ-15RTC ADVANTAGES:

- 15" LCD CCTV Monitor
- All Metal Cabinet
- BNC, VGA
- 3D Comb-filter, De-interlace, Built-in Speakers
- 3-Year Warranty



MODEL #	VZ-15RTC
DISPLAY	
Screen Size	15"
Max. Resolution	1024x768 @60Hz
Pixel Pitch	0.297mm x 0.297mm
Brightness	225cd/m ² (Typical)
Contrast Ratio	600:1
Aspect Ratio	4 : 3
Viewing Angle (H/V)	160°/130°
Display Color	16.7 Million
Response Time	< 8ms
Video System	NTSC / PAL
Frequency (H)	31 ~ 48KHz
Frequency (V)	56 ~ 75Hz
INTERFACE	
AV(Composite) In/ Out	2 / 2
S-Video In / Out	1 / 1
RGB In(15Pin D-Sub)	1
Component(Y, Pb, Pr, Sound L/R) In	N/A
DVI-In	N/A
HDMI In	N/A
Trigger In	N/A
AV(Composite) Sound In/Out (RCA Type)	1 / 0
PC Stereo In/Out	1 / 0
AUDIO	
Built in speaker	2 W x 2
SPECIAL FEATURES	
Multi Display Function	PIP / PBP
Filter Type	3D Comb filter / DeInterlace
LCD Protection Glass	YES
Video Resolution(Max)	520 TV Line
Multi-lingual Language	English, Spanish, French, German, Italian, Portuguese, Dutch
DIMENSIONS	
Outline Dimension (W x H x D)	13.92" x 11.73" x 2.36" (353.6mm x 289mm x 60mm)
Net Weight	10.58 lbs (4.81kg)
MOUNT	
VESA	100mm x 100mm, M4x10 Screws
GENERAL	
Transmitter - IR Remote Control	YES
Power - Electrical Ratings - Consumption	DC 12V, 3A (AC100 ~ 240V[50/60Hz]) 36W
Warranty - Parts/ Labor - MTBF (Approx.)	3 Year / 3 Year 50,000 Hours
Operating Temperature	32 - 104°F / 0 - 40°C
Regulations	UL, CB, FCC(B), CE-Emc(LVD)
Compatible Mounts - WALL - CEILING - Rack	VZ-WM05, VZ-WM10, VZ-WM31 VZ-CMK01, VZ-CMK05 VZ-RMK08

INTERFACE



Contact ViewZ

- Address: 1220 N.Kraemer Blvd, Anaheim, CA, 92806
- Phone: (714)630-3380, Fax: (714)630-2335
- Sales: sales@viewzusa.com
- Specifications subject to change without notice.