

OKLAHOMA SOUND CORP.
149 Entin Road, Clifton, NJ 07014
Tel: 973-594-9000 • Fax: 973-594-9339
e-mail: info@oklahomasound.com
Web-Site www.oklahomasound.com



**ARISTOCRAT
Contour Floor Lectern**

ASSEMBLY MANUAL



MODEL #600

INTRODUCTION

Aristocrat Contour Floor Lectern — Model 600

A perfect lectern for the most demanding, upscale look. Contoured style with radius curves. Available in four wood-grain thermofused melamine laminate on 3/4" flakeboard. Two built in shelves and side mounted slide-out shelf for A/V presentation equipment. Accented by attractive T-Mold edging. Moves effortlessly on four easy roll castors, two locking. Ready to assemble.

Colors: Walnut, Light Oak, Med. Oak Mahogany/Black Edge
Dimensions: 25¼" W x 46"H x 20¼"D.

ASSEMBLY TIPS

- Read the instructions carefully and follow diagrams to ensure an easy and correct assembly.
- Do not use a sharp instrument such as a knife or a screwdriver to open the packaging, as this may scratch or possibly damage the unit.
- All assembly should be done on a clean protected surface such as carpet or the like.
- Make sure that you have all the required parts. A list of all the parts are listed.

OPTIONAL/ADDITIONAL EQUIPMENT

BRASS READING LAMP / #BRL

Attach an elegant brushed brass reading lamp to the reading table of your new Speaker Stand. Not only will you shed light on the subject, but you will add pizzazz to your new stand.



13" GOOSENECK ASSEMBLY / #GSN

Choose from Black or Chrome colored 13" flexible gooseneck arm. Includes mount with three screws..

ARISTOCRAT SOUND FLOOR LECTERN / #6010

Perfect for the smallest to largest venues. Executive style podium include 50 Watt Multimedia amplifier with two built in 8" speakers surrounded by gold appointments. Includes Microphones, Holders, Digital Timepiece & rolls on four casters. For audiences up to 2,500 people. Assembly required.

Dimensions: 25¼" W x 46"H x 20¼"D
Walnut, Lt. Oak, Med. Oak, Mahogany

ARISTOCRAT CONTOUR TABLE TOP LECTERN / #60

Move this attractive, affordable lectern from room to room and keep your notes in order and your audiences wowed. Made of thermofused laminate in four color selections with T-mold edging. Protective non marring glides included. Assembly required.

Dimensions: 25" W x 15" H x 20" D
Walnut, Lt. Oak, Med. Oak, Mahogany



- 5) Now apply the left side panel to the semi assembled unit. Be sure to align the cam bolts to the holes on both the front panel & the shelf. Be sure to align the dowels. Be sure that the "BOTTOM" is securely in groove. Tighten cams. (Diagram D)

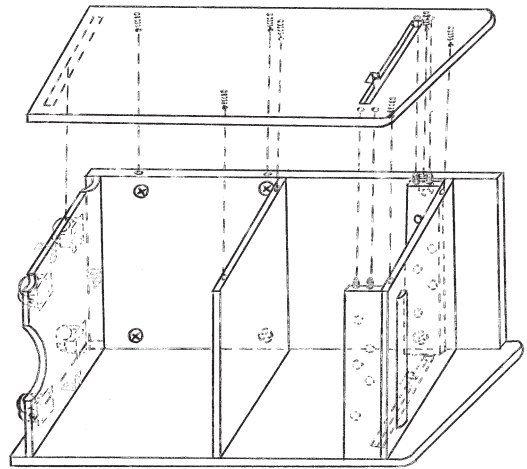


Diagram D

- 6) Screw the Corner braces into the "SIDE PANEL" & the "FRONT PANEL".

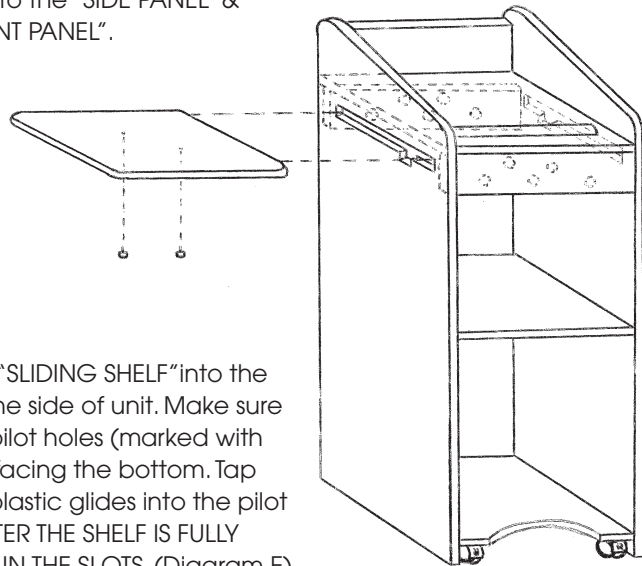


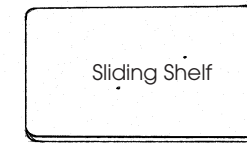
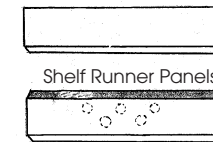
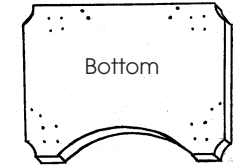
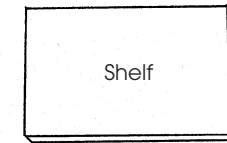
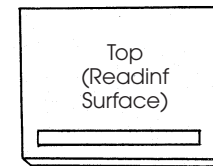
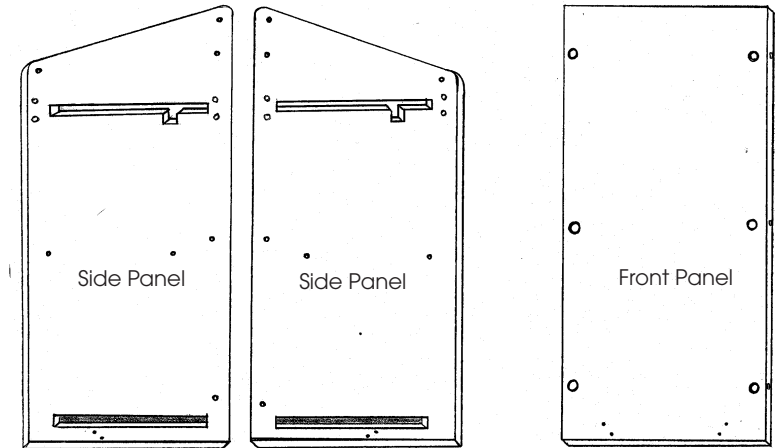
Diagram E

- 7) Slide the "SLIDING SHELF" into the slots on the side of unit. Make sure the two pilot holes (marked with red) are facing the bottom. Tap the two plastic glides into the pilot holes, AFTER THE SHELF IS FULLY INSERTED IN THE SLOTS. (Diagram E)

- 8) Once again go over all the cams & check to make sure the lectern is sturdy.

Congratulations! You have successfully assembled your lectern, which if cared for correctly should give you long & satisfactory usage.

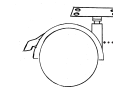
ASSEMBLY PARTS



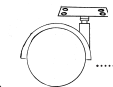
(8) Wooden Dowels



(2) Plastic Glides



(2) Locking Castors



(2) Non Locking Castors



(2) Corner Braces



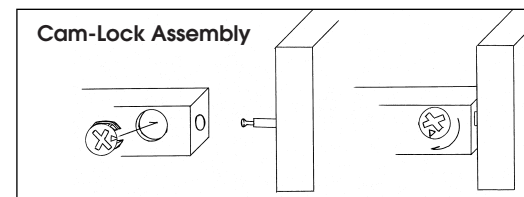
(14) Cams



(14) Bolts



(32) #8 1/2" Phillips Screw



Tools Required

- #2 Phillips Head Screwdriver
- Hammer

INSTALLATION OF HARDWARE

- 1) Lay out the wood panels as shown in diagram "A" (make sure the factory drilled holes are facing upwards). You can determine the top of the front panel by identifying the edge cut on an angle.
- 2) Identify the holes numbered "1" in Diagram A. Screw the bolts into the inserts with a #2 Phillips-head screwdriver. Be sure to tighten the screws all the way. P.S. Be careful not to over-tighten the bolts as this will strip the wood!!
- 3) Insert the cams in the larger holes as shown on diagram. MAKE SURE THE ARROW ON THE CAM IS POINTING TO THE CLOSEST EDGE & ALIGNED WITH THE HOLE ON THE EDGE.
- 4) Insert the 8 wooden dowels into the holes of the edges on the 2 "SHELF RUNNER PANELS".
- 5) On the BOTTOM panel screw in the four casters. The locking casters should be screwed into the bottom closest to the shaped finished edge. The second pair of non-locking casters should be attached closest to the unfinished edge.

- 6) The 4 corner braces should be screwed into the bottom panel. There are pre-drilled holes to guide you for proper placement. (Diagram A)

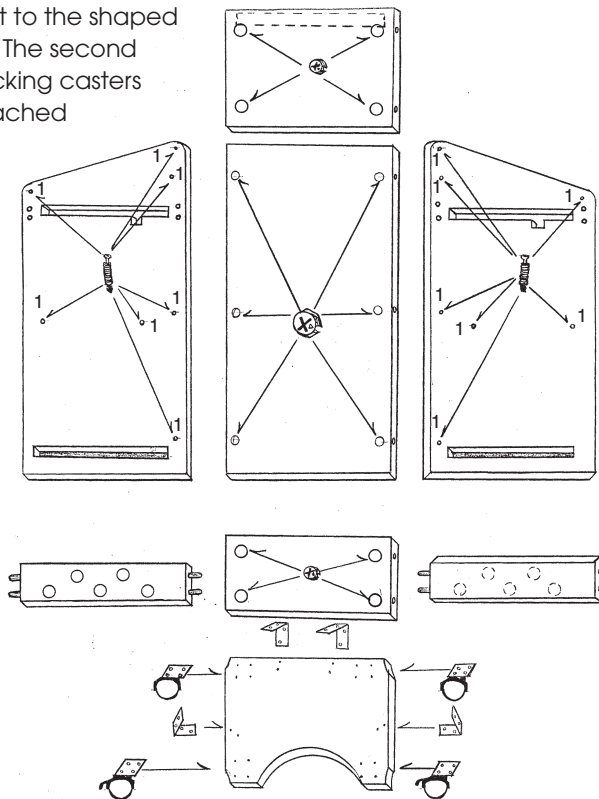


Diagram A

ASSEMBLY OF LECTERN

It is important that the instructions on the assembly are followed carefully

- 1) The first step of assembly will be to align the holes on the edge of panel edges with the three cam bolts on the side panel. Tighten the cams by turning clock-wise until locked.
- 2) Take the "TOP" & "SHELF" and tighten cams. Make sure the cams on the "TOP" & "BOTTOM" face the bottom of the lectern. The two bolts just above the slots align with the two holes on the edge of the "TOP" (these holes reach until the cams). The two bolts in the center of the right side panel will align with the two holes on the edge of the shelf. Gently push the panel down on to the cam bolts until the panel is completely on the right side panel.
- 3) Taking the "BOTTOM" panels, with the casters facing the bottom of the unit, insert panel into the groove, make sure that the panel is all the way in the groove. Screw in the corner brace to the side, there are pre-drilled holes to guide you. (Diagram B)

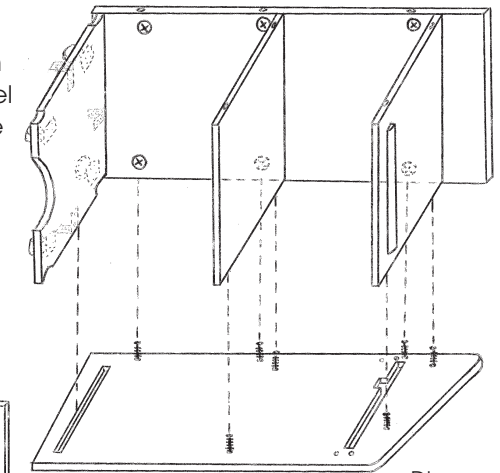


Diagram B

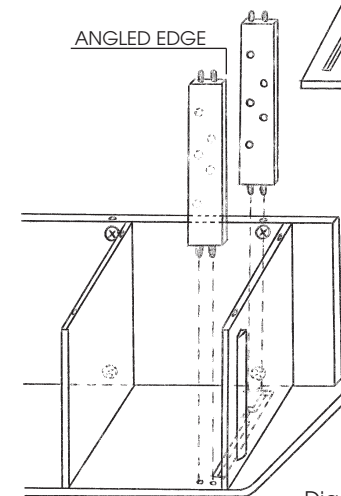


Diagram C

- 4) Next to be installed will be the shelf frames. Identify the runner panel with 1 edge cut on an angle — refer to diagram C. Now the second "SHELF RUNNER PANEL" shall be installed under the "TOP" and near the "FRONT" with the plastic glides facing the other side. (Diagram C)