

ACCXT101

## Left/Right Speaker Accessory

Compatible with Peerless-AV™ PP740, PA740, SP740P and SA740P mounts

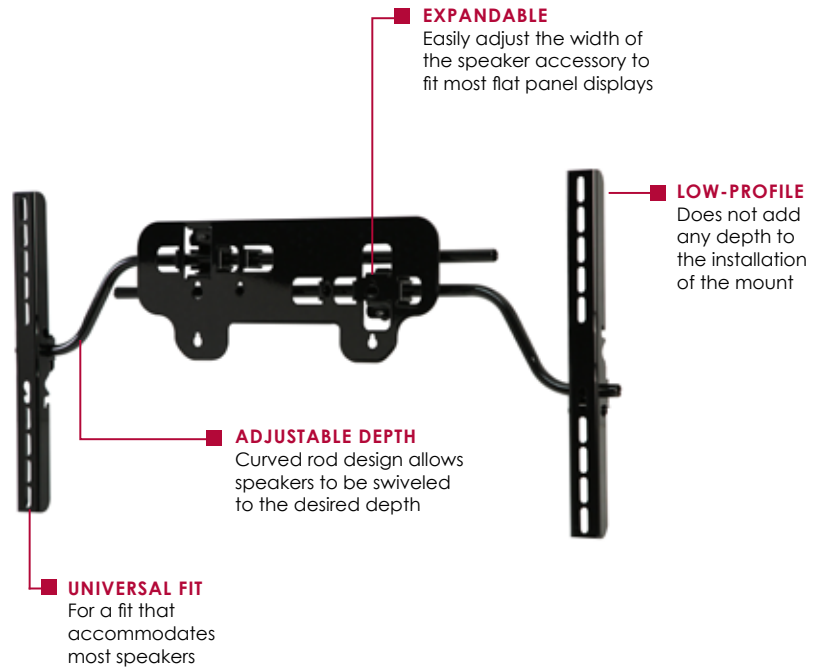
Images and sound belong together and there has never been an easier and more stylish way to combine them into a single installation than with the Left/Right Speaker Accessories from Peerless-AV™. Providing a low profile look that seamlessly blends the speakers into today's slim installations, and the freedom to expand the speakers out or retract them for perfect positioning. The universal design works with virtually any speaker brands.



Max load: 10lb (4.5kg)

### FEATURES

- Universal, fits most speaker brands
- Compatible with Peerless-AV PP740, PA740, SP740P and SA740P mounts
- Easily attaches to compatible Peerless-AV flat panel mounts
- Set the perfect speaker width with simple speaker extension and retraction
- Curved rod design makes it simple to match the low profile of even the slimmest flat panels or to set the depth where it is most desired



Shown attached to Peerless-AV SA740P mount

RoHS

**ACCXT101** Left/Right Speaker Accessory compatible with Peerless-AV PP740, PA740, SP740P and SA740P mounts

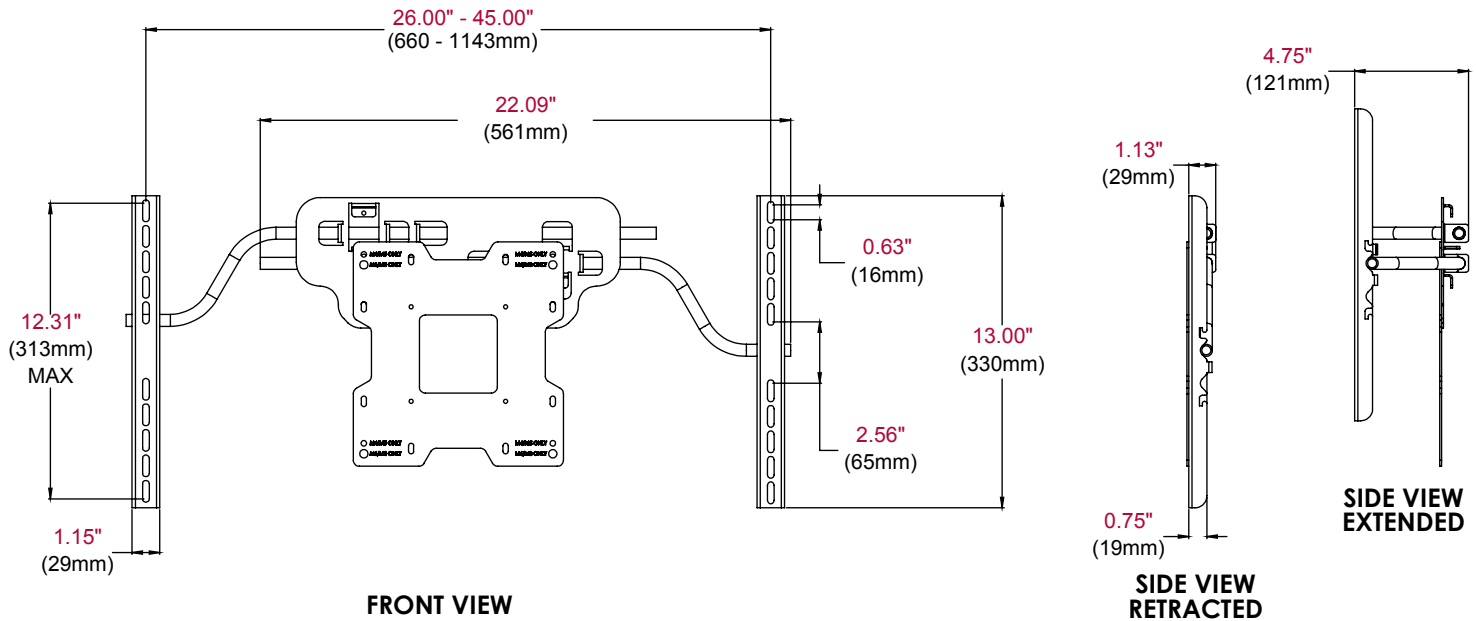
**Product Specifications**

	<b>DIMENSIONS (W x H x D)</b>	<b>PRODUCT WEIGHT</b>	<b>LOAD CAPACITY</b>	<b>FINISH</b>	<b>AVAILABLE COLORS</b>
<b>ACCXT101</b>	22.09" x 13.00" x 1.13" (561 x 330 x 29mm)	3.55lb (1.61kg)	10lb (4.5kg) each	Powder coat	High Gloss Black

**Package Specifications**

	<b>PACKAGE SIZE (W x H x D)</b>	<b>PACKAGE SHIP WEIGHT</b>	<b>PACKAGE UPC CODE</b>	<b>PACKAGE CONTENTS</b>	<b>UNITS IN PACKAGE</b>
<b>ACCXT101</b>	8.63" x 3.88" x 31.80" (219 x 99 x 808mm)	4.6lb (2.09kg)	735029280231	Universal speaker mount, mount attachment hardware, installation instructions	1

All dimensions = inch (mm)



**ARCHITECTS SPECIFICATIONS**

The Left/Right Speaker Accessory shall be a Peerless-AV model ACCXT101 and shall be located where indicated on the plans. It shall feature scratch resistant black fused epoxy finish. Assembly and installation shall be done according to instructions provided by the manufacturer.