

Fiilex

P360 Pro

Portable LED Light

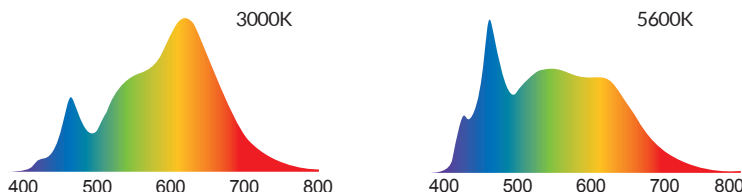


FEATURES

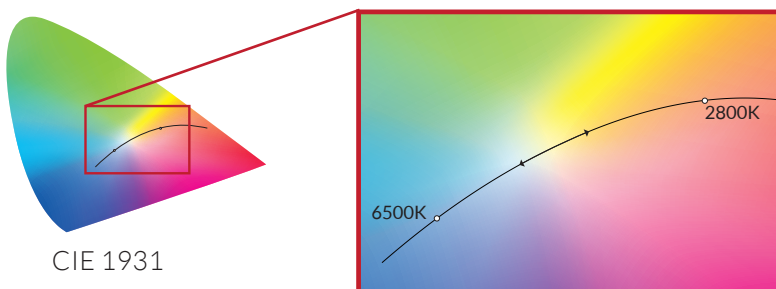
- 450W Equivalent Output (Tungsten) - Draws 90W
- 2800-6500K Continuous Tuning
- Full Spectrum Light Quality
- Dimming (100% - 0%)
- Flicker Free
- Point Source for Easy Beam Shaping
- Does Not Emit UV Light/Radiation
- DMX Controllable (2-channels: Intensity & CCT)
- IP-24 Water Resistant
- OLED display
- Mechanical Mount with Magnetic Locking for Accessories



FULL SPECTRUM



TUNABLE CCT & HUE



EXCELLENT COLOR RENDERING

CCT	R1	R2	R3	R4	R5	R6	R7	R8	R9	R10	R11	R12	R13	R14	R15	CRI _{Ra} *	CRI _{Ext} *	TLCI
3000K	98	99	97	96	97	97	95	90	79	95	96	85	99	97	96	96	94	94
5600K	96	99	98	92	94	96	94	89	73	95	92	84	97	99	94	95	93	95

Values in this table are typical.

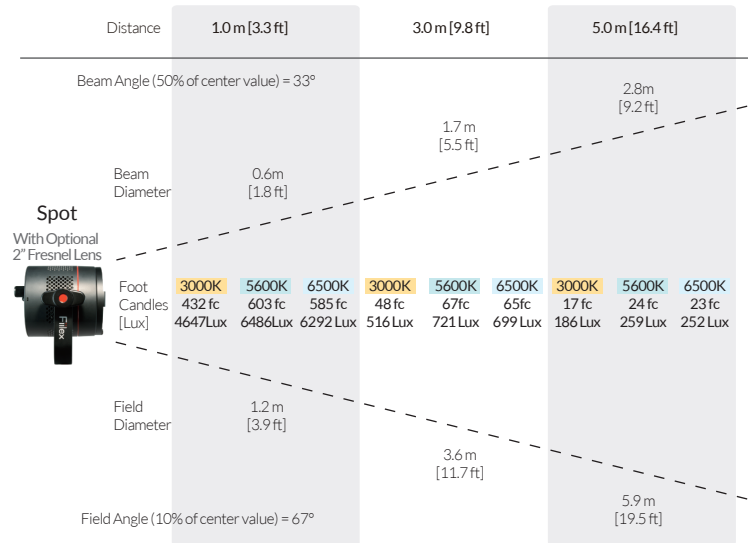
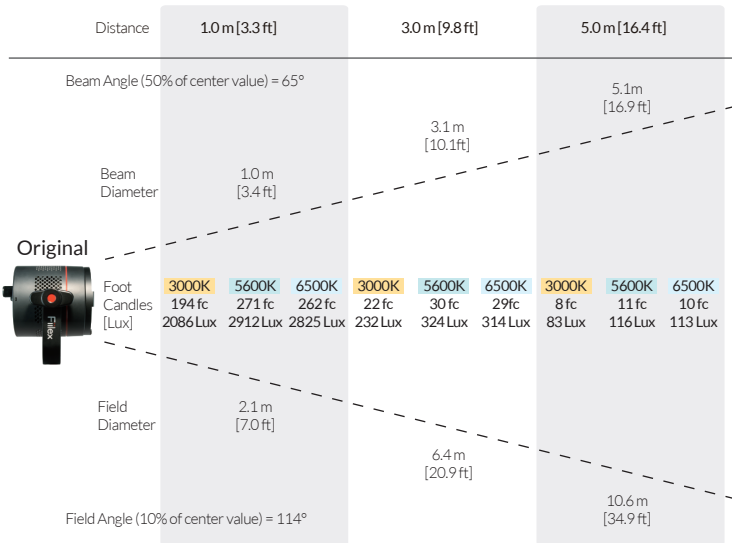
*CRI_{Ra} is the averaged result of R1 to R8; CRI_{Ext} is the averaged value of R1 to R15.



P360 Pro

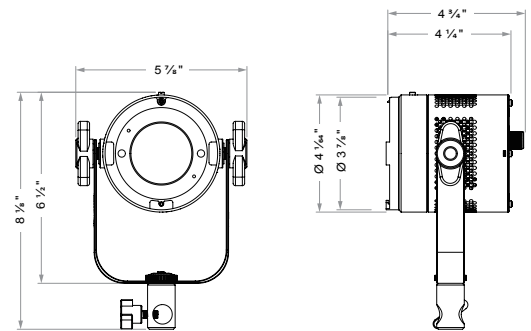
Portable LED Light

PHOTOMETRIC DATA



SPECIFICATIONS

Size (without Barndoor)	4" (Diameter) x 4.7" (Length)
Weight (Includes Yoke)	1.7 lbs / 0.74 kg
LED	Dense Matrix LED
Thermal Design	Active Cooling
CCT Range	2800-6500K Continuous Tuning
CRI	≥93
Power Consumption	90W Max / Comparable in Output to 400W Tungsten
Power Input	12 to 30 V DC
AC Adapter	100-240V AC, 50/60Hz (In) / 24V DC, 90W max. (Out)
Operating Temperature	32 to 104°F / 0 to 40 °C
DMX	2-channels: Intensity, CCT



OPTIONAL ACCESSORIES & KITS

