



DeSisti

// SoftLED Series
2017 Catalog

2 available versions: Vari-White (VW) LED Version from 2800°K to 6500°K or single color Remote Phosphor (P) with interchangeable panels from 3000°K to 5600°K

- *Wider softer beam*
- *High output*
- *Fully tunable*
- *Large aperture*
- *Ideal for multiple camera use*

- *Extremely high CRI and TLCI*
- *Manual or Pole operation available*
- *Highly efficiency silent passive cooling*

- *Self-contained PSU*
- *Easy connection*
- *Rugged and lightweight housing*
- *100% Flicker free operation*
- *No Pixel effect*

The De Sisti SoftLED Series offers a versatile soft source for studio and location applications.



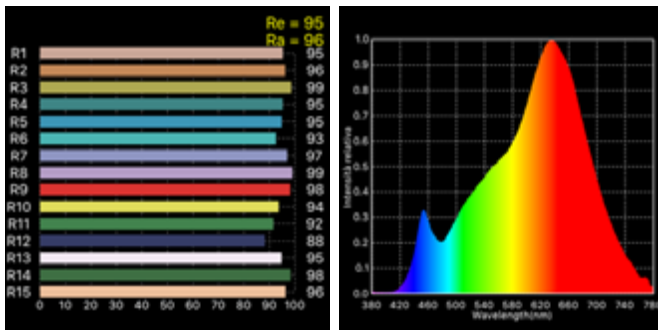
Available in 4 different sizes and wattages with self-contained PSU (no external unit needed)

Paint your scene in the white of your choice

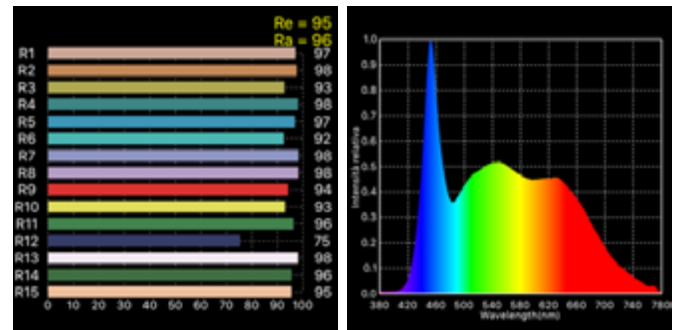
The SoftLED VW Series allows you to select specific color temperature from 2800°K to 6500°K with CRI Value >95 and enhanced spectrum color rendition.

TLCI value is higher than 96 offering an extreme help in the Image set-up and allowing a perfect performance.

For single white applications, the remote phosphor version offers panels from 2800°K to 5600°K.



Soft Vari-White Spectrum and R1-R15 histogram at 2700°K



Soft Vari-White Spectrum and R1-R15 histogram at 6500°K



DeSisti

Versatility and output

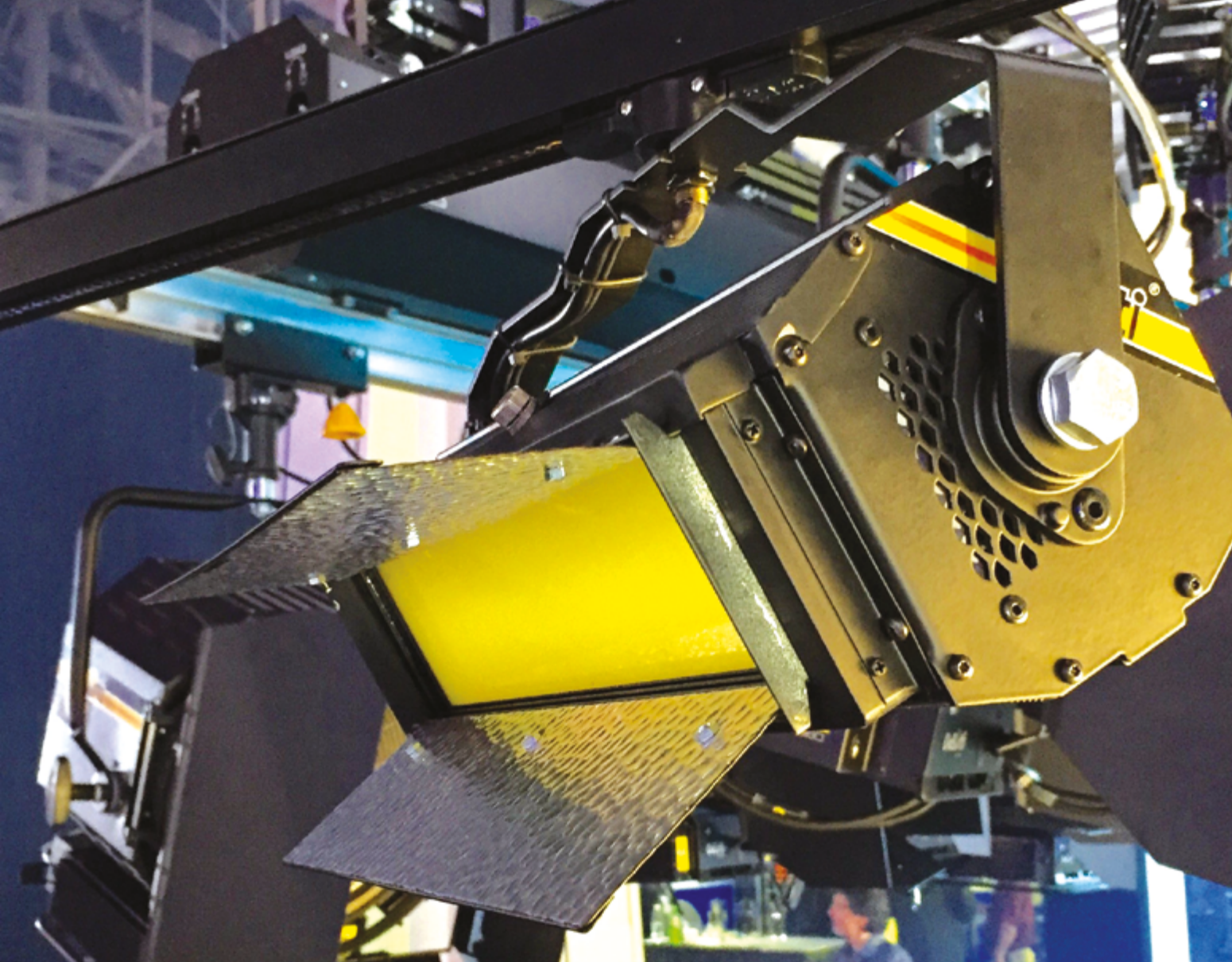
De Sisti SoftLED offer a wide range of sizes and the units are powerful to allow you to have the proper fixtures for your set needs.

The rugged and lightweight Aluminum extrusion housing with black oxidized low glare finish is highly impact resistant while maintaining a user friendly feel.

Honeycombs and intensifier accessories work perfectly to shape and control the beam spread. DMX daisy chaining and Power Pass Through features allow for quicker installations of the lighting system.

De Sisti SoftLED 1 is available with D Track (Data/Power) adapters.





Functionality and Flexibility

The SoftLED is a 100% flicker free system with universal Power Supply unit 90-240V to work in every condition and frame rate.

DMX (or local) control of the Light intensity from 0 to 100% with smooth transition and theatrical quality dimming.

High efficiency, silent passive heat management. Thermal stabilization of the LED operating temperature is managed by an internal thermal sensor and CPU, variable fan speed and heat sink to maintain the LEDs at optimal constant temperature.

Available with either positive lock manual yokes for comfort and ease of handling, or pole operated yokes for pan and tilt adjustment.



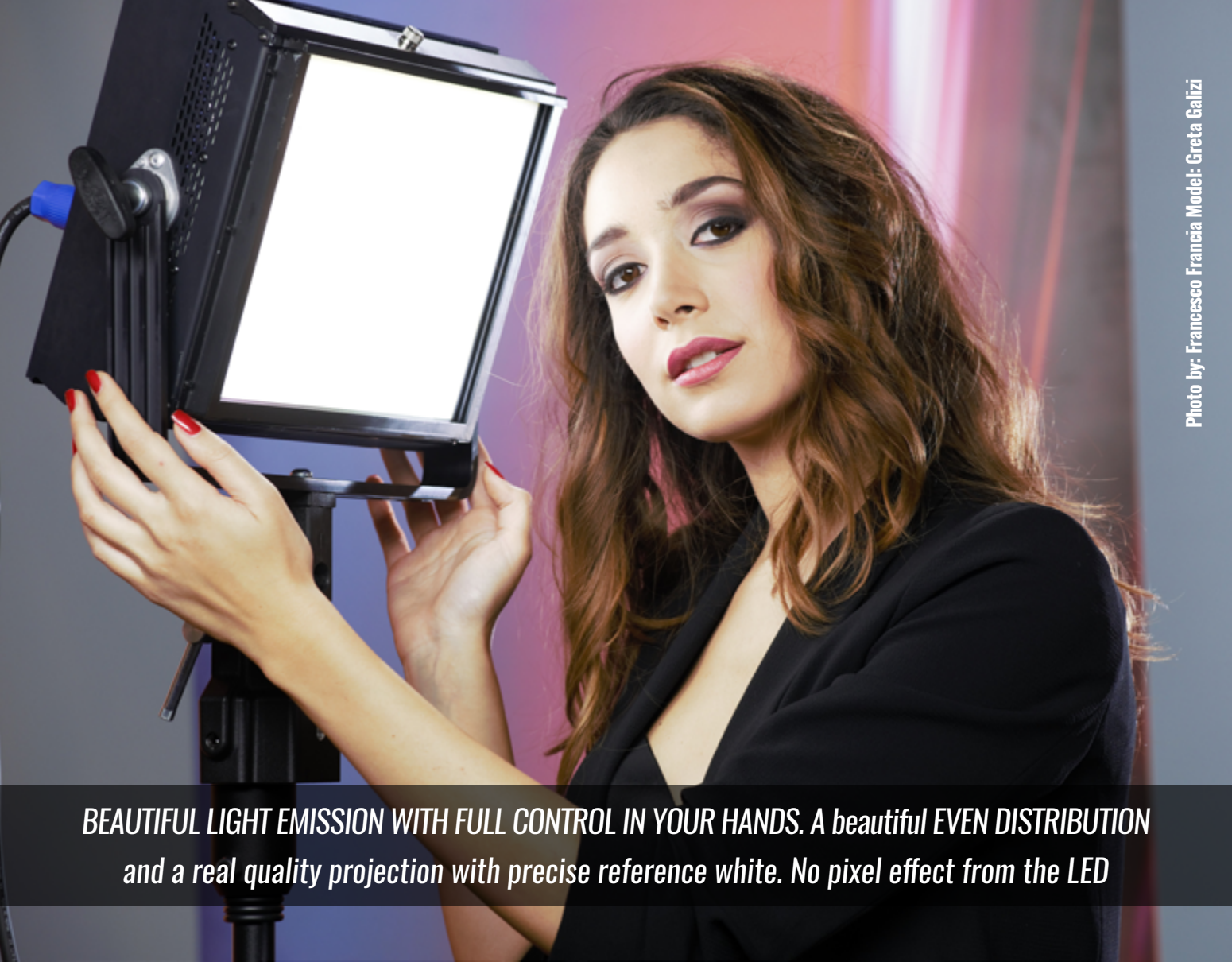


Photo by: Francesco Francia Model: Greta Galizi

BEAUTIFUL LIGHT EMISSION WITH FULL CONTROL IN YOUR HANDS. A beautiful EVEN DISTRIBUTION and a real quality projection with precise reference white. No pixel effect from the LED

// SoftLED1

Power to Led 60W

// P.O. VERSION
 Mod. S1VW.PO Vari-White
 Mod. S1PT.PO Phosphors Tungsten
 Mod. S1PD.PO Phosphors Daylight

// M.O. VERSION
 Mod. S1VW.MO Vari-White
 Mod. S1PT.MO Phosphors Tungsten
 Mod. S1PD.MO Phosphors Daylight



CHARACTERISTICS & PERFORMANCE DATA

DESCRIPTION	VALUE	
☛ Power to LED	60W Flicker Free	
☛ Power Consumption	Europe	America
	72W @ 230 V 50-60 Hz	75W @ 120 V 50-60 Hz
☛ DMX Data link USITT DMX512-A	This product uses a 5-pin XLR for DMX input and output. Use a shielded data cables. Do not overload the daisy chain. Up to a maximum of 32 devices can be used on a single DMX chain.	
☛ DMX Channels	2 for Remote Phosphors 4 for Vari-White	
☛ LED BARS Lifetime	50.000 hours with 70% Lumen Maintenance.	
☛ Protection Type	IP 22	
☛ Max. Housing Surface Temperature	70° C	
☛ Weight of Fixture with yoke	M.O.	P.O.
	3 kg. 6.6 lbs	4,2 kg. 9.2 lbs
☛ PFC Power Supply Integrated		

// SOFT LED 1



Vari-White at C.C.T. (Correlated Color Temperature) balanced to 2,800°K - 60W (CRI>95 - TLCI>96)

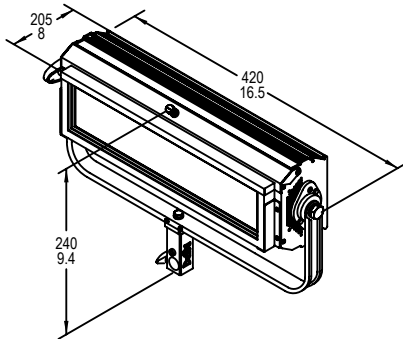
Illumination center values at the following distances

	2 mt 6.6 ft	3 mt 9.8 ft	5 mt 16.4 ft
SL1 VW at 2,800°K w/o Front Accessories Central Light Intensity (Candle Power)	990 cd 248 lux 23 FC	110 lux 10.2 FC	40 lux 3.7 FC
SL1 VW at 2,800°K with Medium Black H.Comb Central Light Intensity (Candle Power)	693 cd 173 lux 16 FC	77 lux 7.1 FC	28 lux 2.6 FC
SL1 VW at 2,800°K with Narrow Black H.Comb Central Light Intensity (Candle Power)	567 cd 142 lux 13.2 FC	63 lux 5.8 FC	23 lux 2.1 FC

Vari-White at C.C.T. (Correlated Color Temperature) balanced to 6,500°K - 60W (CRI>95 - TLCI>96)

Illumination center values at the following distances

	2 mt 6.6 ft	3 mt 9.8 ft	5 mt 16.4 ft
SL1 VW at 6,500°K w/o Front Accessories Central Light Intensity (Candle Power)	1,107 cd 277 lux 25.7 FC	123 lux 11.4 FC	44 lux 4.1 FC
SL1 VW at 6,500°K with Medium Black H.Comb Central Light Intensity (Candle Power)	774 cd 194 lux 18 FC	86 lux 8 FC	31 lux 2.9 FC
SL1 VW at 6,500°K with Narrow Black H.Comb Central Light Intensity (Candle Power)	630 cd 158 lux 14.7 FC	70 lux 6.5 FC	25 lux 2.3 FC



C.C.T. (Correlated Color Temperature) balanced to match 3,200°K TUNGSTEN LAMPS - 60W (CRI>92)

Illumination center values at the following distances

	2 mt 6.6 ft	3 mt 9.8 ft	5 mt 16.4 ft
SL1 Tungsten w/o Front Accessories Central Light Intensity (Candle Power)	900 cd 225 lux 20.9 FC	100 lux 9.3 FC	36 lux 3.3 FC
SL1 Tungsten with Medium Black H.Comb Central Light Intensity (Candle Power)	630 cd 158 lux 14.7 FC	70 lux 6.5 FC	25 lux 2.3 FC
SL1 Tungsten with Narrow Black H.Comb Central Light Intensity (Candle Power)	513 cd 128 lux 11.9 FC	57 lux 5.3 FC	21 lux 1.9 FC

C.C.T. (Correlated Color Temperature) balanced to match 5,600°K DAYLIGHT LAMPS - 60W (CRI>92)

Illumination center values at the following distances

	2 mt 6.6 ft	3 mt 9.8 ft	5 mt 16.4 ft
SL1 Daylight w/o Front Accessories Central Light Intensity (Candle Power)	990 cd 248 lux 23 FC	110 lux 10.2 FC	40 lux 3.7 FC
SL1 Daylight with Medium Black H.Comb Central Light Intensity (Candle Power)	693 cd 173 lux 16 FC	77 lux 7.1 FC	28 lux 2.6 FC
SL1 Daylight with Narrow Black H.Comb Central Light Intensity (Candle Power)	567 cd 142 lux 13.2 FC	63 lux 5.8 FC	23 lux 2.1 FC

BEAM COVERAGE ON SOFT LED 1 - 60W

Light beam Width with Beam Angle w/o accessories	110.0°	5.71 mt 18.7 ft	8.57 mt 28.1 ft	14.28 mt 46.8 ft
Light beam Height with Beam Angle w/o accessories	96.0°	4.44 mt 14.5 ft	6.66 mt 21.8 ft	11.11 mt 36.4 ft
Light beam Width with Beam Angle with Medium Black H.Comb	60.0°	2.31 mt 7.6 ft	3.46 mt 11.3 ft	5.77 mt 18.9 ft
Light beam Height with Beam Angle with Medium Black H.Comb	55.0°	2.08 mt 6.8 ft	3.12 mt 10.2 ft	5.21 mt 17.1 ft
Light beam Width with Beam Angle with Narrow Black H.Comb	35.0°	1.26 mt 4.1 ft	1.89 mt 6.2 ft	3.15 mt 10.3 ft
Light beam Height with Beam Angle with Narrow Black H.Comb	35.0°	1.26 mt 4.1 ft	1.89 mt 6.2 ft	3.15 mt 10.3 ft

PHOTOMETRIC DATA
PRELIMINARY INFORMATION

// SoftLED2

Power to Led 120W

// P.O. VERSION
 Mod. S2VW.PO Vari-White
 Mod. S2PT.PO Phosphors Tungsten
 Mod. S2PD.PO Phosphor Daylight

// M.O. VERSION
 Mod. S2VW.MO Vari-White
 Mod. S2PT.MO Phosphors Tungsten
 Mod. S2PD.MO Phosphors Daylight



CHARACTERISTICS & PERFORMANCE DATA

DESCRIPTION	VALUE	
➤ Power to LED	120W Flicker Free	
➤ Power Consumption	Europe	America
	140W @ 230 V 50-60 Hz	150W @ 120 V 50-60 Hz
➤ DMX Data link USITT DMX512-A	This product uses a 5-pin XLR for DMX input and output. Use a shielded data cables. Do not overload the daisy chain. Up to a maximum of 32 devices can be used on a single DMX chain.	
➤ DMX Channels	2 for Remote Phosphors 4 for Vari-White	
➤ LED BARS Lifetime	50.000 hours with 70% Lumen Maintenance.	
➤ Protection Type	IP 22	
➤ Max. Housing Surface Temperature	70° C	
➤ Weight of Fixture with yoke	M.O.	P.O.
	4,1 kg.	5,3 kg.
➤ PFC Power Supply Integrated	9,0 lbs	11,7 lbs

// SOFT LED 2



Vari-White at C.C.T. (Correlated Color Temperature) balanced to 2,800°K - 120W (CRI>95 - TlCl>96)

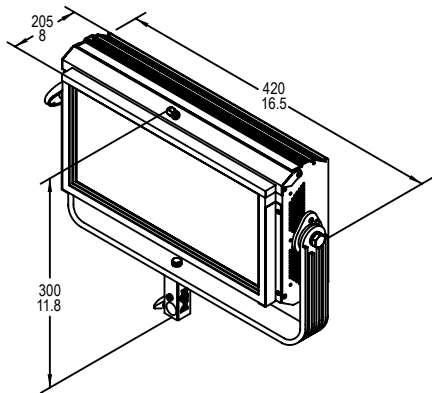
Illumination center values at the following distances

		2 mt 6.6 ft	3 mt 9.8 ft	5 mt 16.4 ft
SL2 VW at 2,800°K w/o Front Accessories Central Light Intensity (Candle Power)	3,150 cd	788 lux 73.2 FC	350 lux 32.5 FC	126 lux 11.7 FC
SL2 VW at 2,800°K with Medium Black H.Comb Central Light Intensity (Candle Power)	2,205 cd	551 lux 51.2 FC	245 lux 22.8 FC	88 lux 8.2 FC
SL2 VW at 2,800°K with Narrow Black H.Comb Central Light Intensity (Candle Power)	1,800 cd	450 lux 41.8 FC	200 lux 18.6 FC	72 lux 6.7 FC

Vari-White at C.C.T. (Correlated Color Temperature) balanced to 6,500°K - 120W (CRI>95 - TlCl>96)

Illumination center values at the following distances

		2 mt 6.6 ft	3 mt 9.8 ft	5 mt 16.4 ft
SL2 VW at 6,500°K w/o Front Accessories Central Light Intensity (Candle Power)	3,330 cd	833 lux 77.4 FC	370 lux 34.4 FC	133 lux 12.4 FC
SL2 VW at 6,500°K with Medium Black H.Comb Central Light Intensity (Candle Power)	2,331 cd	583 lux 54.2 FC	259 lux 24.1 FC	93 lux 8.6 FC
SL2 VW at 6,500°K with Narrow Black H.Comb Central Light Intensity (Candle Power)	1,899 cd	475 lux 44.1 FC	211 lux 19.6 FC	76 lux 7.0 FC



C.C.T. (Correlated Color Temperature) balanced to match 3,200°K TUNGSTEN LAMPS - 120W (CRI>97)

Illumination center values at the following distances

		2 mt 6.6 ft	3 mt 9.8 ft	5 mt 16.4 ft
SL2 Tungsten w/o Front Accessories Central Light Intensity (Candle Power)	2,880 cd	720 lux 66.9 FC	320 lux 29.7 FC	115 lux 10.7 FC
SL2 Tungsten with Medium Black H.Comb Central Light Intensity (Candle Power)	2,016 cd	504 lux 46.8 FC	224 lux 20.8 FC	81 lux 7.5 FC
SL2 Tungsten with Narrow Black H.Comb Central Light Intensity (Candle Power)	1,638 cd	410 lux 38.1 FC	182 lux 16.9 FC	66 lux 6.1 FC

C.C.T. (Correlated Color Temperature) balanced to match 5,600°K DAYLIGHT LAMPS - 120W (CRI>92)

Illumination center values at the following distances

		2 mt 6.6 ft	3 mt 9.8 ft	5 mt 16.4 ft
SL2 Daylight w/o Front Accessories Central Light Intensity (Candle Power)	3,060 cd	765 lux 71.1 FC	340 lux 31.6 FC	122 lux 11.3 FC
SL2 Daylight with Medium Black H.Comb Central Light Intensity (Candle Power)	2,142 cd	536 lux 49.8 FC	238 lux 22.1 FC	86 lux 8 FC
SL2 Daylight with Narrow Black H.Comb Central Light Intensity (Candle Power)	1,746 cd	437 lux 40.6 FC	194 lux 18 FC	70 lux 6.5 FC

BEAM COVERAGE ON SOFT LED 2 - 120W

Light beam Width with Beam Angle w/o accessories	110.0°	5.71 mt 18.7 ft	8.57 mt 28.1 ft	14.28 mt 46.8 ft
Light beam Height with Beam Angle w/o accessories	100.0°	4.77 mt 15.6 ft	7.15 mt 23.4 ft	11.92 mt 36.1 ft
Light beam Width with Beam Angle with Medium Black H.Comb	60.0°	2.31 mt 7.6 ft	3.46 mt 11.3 ft	5.77 mt 18.8 ft
Light beam Height with Beam Angle with Medium Black H.Comb	55.0°	2.08 mt 6.8 ft	3.12 mt 10.2 ft	5.21 mt 17.1 ft
Light beam Width with Beam Angle with Narrow Black H.Comb	35.0°	1.26 mt 4.1 ft	1.89 mt 6.2 ft	3.15 mt 10.3 ft
Light beam Height with Beam Angle with Narrow Black H.Comb	35.0°	1.26 mt 4.1 ft	1.89 mt 6.2 ft	3.15 mt 10.3 ft

PHOTOMETRIC DATA
PRELIMINARY INFORMATION

// SoftLED4

Power to Led 180W

// P.O. VERSION
 Mod. S4VW.PO Vari-White
 Mod. S4PT.PO Phosphors Tungsten
 Mod. S4PD.PO Phosphors Daylight

// M.O. VERSION
 Mod. S4VW.MO Vari-White
 Mod. S4PT.MO Phosphors Tungsten
 Mod. S4PD.MO Phosphors Daylight



CHARACTERISTICS & PERFORMANCE DATA

DESCRIPTION	VALUE	
➤ Power to LED	180W Flicker Free	
➤ Power Consumption	Europe 200W @ 230 V 50-60 Hz	America 205W @ 120 V 50-60 Hz
	This product uses a 5-pin XLR for DMX input and output. Use a shielded data cables. Do not overload the daisy chain. Up to a maximum of 32 devices can be used on a single DMX chain.	
➤ DMX Data link USITT DMX512-A		
➤ DMX Channels	2 for Remote Phosphors 4 for Vari-White	
➤ LED BARS Lifetime	50.000 hours with 70% Lumen Maintenance.	
➤ Protection Type	IP 22	
➤ Max. Housing Surface Temperature	70° C	
➤ Weight of Fixture with yoke	M.O.	P.O.
	5,5 kg. 12,1 lbs	6,7 kg. 14,8 lbs
➤ PFC Power Supply Integrated		

// SOFT LED 4



Vari-White at C.C.T. (Correlated Color Temperature) balanced to 2,800°K - 180W (CRI>95 - TlCl>96)

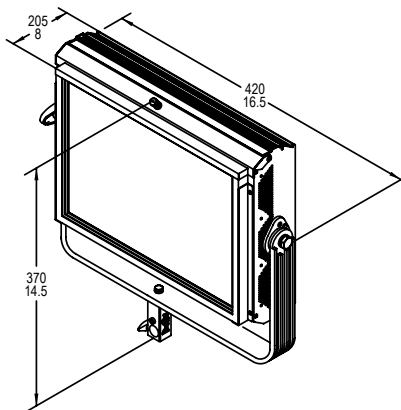
Illumination center values at the following distances

	2 mt 6.6 ft	3 mt 9.8 ft	5 mt 16.4 ft
SL4 VW at 2,800°K w/o Front Accessories Central Light Intensity (Candle Power)	4,500 cd 1,125 lux 104.5 FC	500 lux 46.5 FC	180 lux 16.7 FC
SL4 VW at 2,800°K with Medium Black H.Comb Central Light Intensity (Candle Power)	3,150 cd 788 lux 73.2 FC	350 lux 32.5 FC	126 lux 11.7 FC
SL4 VW at 2,800°K with Narrow Black H.Comb Central Light Intensity (Candle Power)	2,565 cd 641 lux 59.6 FC	285 lux 26.5 FC	103 lux 9.6 FC

Vari-White at C.C.T. (Correlated Color Temperature) balanced to 6,500°K - 180W (CRI>95 - TlCl>96)

Illumination center values at the following distances

	2 mt 6.6 ft	3 mt 9.8 ft	5 mt 16.4 ft
SL4 VW at 6,500°K w/o Front Accessories Central Light Intensity (Candle Power)	4,680 cd 1,170 lux 108.7 FC	520 lux 48.3 FC	187 lux 17.4 FC
SL4 VW at 6,500°K with Medium Black H.Comb Central Light Intensity (Candle Power)	3,276 cd 819 lux 76.1 FC	364 lux 33.8 FC	131 lux 12.2 FC
SL4 VW at 6,500°K with Narrow Black H.Comb Central Light Intensity (Candle Power)	2,664 cd 666 lux 61.9 FC	296 lux 27.5 FC	107 lux 9.9 FC



C.C.T. (Correlated Color Temperature) balanced to match 3,200°K TUNGSTEN LAMPS - 180W (CRI>97)

Illumination center values at the following distances

	2 mt 6.6 ft	3 mt 9.8 ft	5 mt 16.4 ft
SL4 Tungsten w/o Front Accessories Central Light Intensity (Candle Power)	4,410 cd 1,103 lux 102.5 FC	480 lux 45.5 FC	176 lux 16.4 FC
SL4 Tungsten with Medium Black H.Comb Central Light Intensity (Candle Power)	3,087 cd 772 lux 71.7 FC	343 lux 31.9 FC	123 lux 11.4 FC
SL4 Tungsten with Narrow Black H.Comb Central Light Intensity (Candle Power)	2,511 cd 628 lux 58.3 FC	279 lux 25.9 FC	100 lux 9.3 FC

C.C.T. (Correlated Color Temperature) balanced to match 5,600°K DAYLIGHT LAMPS - 180W (CRI>92)

Illumination center values at the following distances

	2 mt 6.6 ft	3 mt 9.8 ft	5 mt 16.4 ft
SL4 Daylight w/o Front Accessories Central Light Intensity (Candle Power)	4,590 cd 1,148 lux 106.7 FC	510 lux 47.4 FC	184 lux 17.1 FC
SL4 Daylight with Medium Black H.Comb Central Light Intensity (Candle Power)	3,213 cd 803 lux 74.6 FC	357 lux 33.2 FC	129 lux 12 FC
SL4 Daylight with Narrow Black H.Comb Central Light Intensity (Candle Power)	2,619 cd 655 lux 60.9 FC	291 lux 27 FC	105 lux 9.8 FC

BEAM COVERAGE ON SOFT LED 4 - 180W

Light beam Width with Beam Angle w/o accessories	110.0°	5.71 mt 18.7 ft	8.57 mt 28.1 ft	14.28 mt 46.8 ft
Light beam Height with Beam Angle w/o accessories	96.0°	4.44 mt 14.5 ft	6.66 mt 21.8 ft	11.11 mt 36.4 ft
Light beam Width with Beam Angle with Medium Black H.Comb	60.0°	2.31 mt 7.6 ft	3.46 mt 11.3 ft	5.77 mt 18.9 ft
Light beam Height with Beam Angle with Medium Black H.Comb	55.0°	2.08 mt 6.8 ft	3.12 mt 10.2 ft	5.21 mt 17.1 ft
Light beam Width with Beam Angle with Narrow Black H.Comb	35.0°	1.26 mt 4.1 ft	1.89 mt 6.2 ft	3.15 mt 10.3 ft
Light beam Height with Beam Angle with Narrow Black H.Comb	35.0°	1.26 mt 4.1 ft	1.89 mt 6.2 ft	3.15 mt 10.3 ft

PHOTOMETRIC DATA
PRELIMINARY INFORMATION

// SoftLED8

Power to Led 360W

// P.O. VERSION
 Mod. S8VW.PO Vari-White
 Mod. S8PT.PO Phosphors Tungsten
 Mod. S8PD.PO Phosphors Daylight

// M.O. VERSION
 Mod. S8VW.MO Vari-White
 Mod. S8PT.MO Phosphors Tungsten
 Mod. S8PD.MO Phosphors Daylight



CHARACTERISTICS & PERFORMANCE DATA

DESCRIPTION	VALUE	
➤ Power to LED	360W Flicker Free	
➤ Power Consumption	Europe	America
	400W @ 230 V 50-60 Hz	400W @ 120 V 50-60 Hz
➤ DMX Data link USITT DMX512-A	This product uses a 5-pin XLR for DMX input and output. Use a shielded data cables. Do not overload the daisy chain. Up to a maximum of 32 devices can be used on a single DMX chain.	
➤ DMX Channels	2 for Remote Phosphors 4 for Vari-White	
➤ LED BARS Lifetime	50.000 hours with 70% Lumen Maintenance.	
➤ Protection Type	IP 22	
➤ Max. Housing Surface Temperature	70° C	
➤ Weight of Fixture with yoke ➤ PFC Power Supply Integrated	M.O.	P.O.
	11 kg. 24.2 lbs	12.3 kg 27.1 lbs

// SOFT LED 8



Vari-White at C.C.T. (Correlated Color Temperature) balanced to 2,800°K - 360W (CRI>95 - TLD>96)

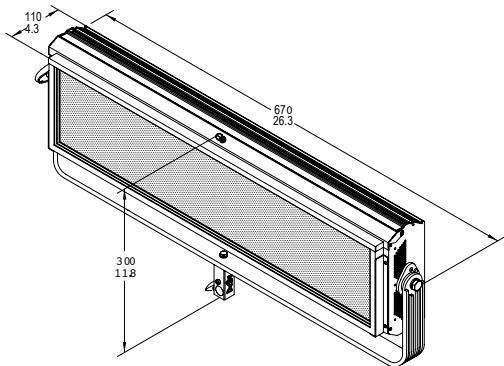
Illumination center values at the following distances

	2 mt 6.6 ft	3 mt 9.8 ft	5 mt 16.4 ft
SL8 VW at 2,800°K w/o Front Accessories Central Light Intensity (Candle Power)	9,900 cd 2,475 lux 229.9 FC	1,100 lux 102.2 FC	396 lux 36.8 FC
SL8 VW at 2,800°K with Medium Black H.Comb Central Light Intensity (Candle Power)	6,930 cd 1,733 lux 161 FC	770 lux 71.5 FC	277 lux 25.7 FC
SL8 VW at 2,800°K with Narrow Black H.Comb Central Light Intensity (Candle Power)	5,643 cd 1,411 lux 131.1 FC	627 lux 58.3 FC	226 lux 21 FC

Vari-White at C.C.T. (Correlated Color Temperature) balanced to 6,500°K - 360W (CRI>95 - TLD>96)

Illumination center values at the following distances

	2 mt 6.6 ft	3 mt 9.8 ft	5 mt 16.4 ft
SL8 VW at 6,500°K w/o Front Accessories Central Light Intensity (Candle Power)	10,800 cd 2,700 lux 250.8 FC	1,200 lux 111.5 FC	432 lux 40.1 FC
SL8 VW at 6,500°K with Medium Black H.Comb Central Light Intensity (Candle Power)	7,560 cd 1,890 lux 175.6 FC	840 lux 78 FC	302 lux 28.1 FC
SL8 VW at 6,500°K with Narrow Black H.Comb Central Light Intensity (Candle Power)	6,156 cd 1,539 lux 143 FC	684 lux 63.5 FC	246 lux 22.9 FC



C.C.T. (Correlated Color Temperature) balanced to match 3,200°K TUNGSTEN LAMPS - 360W (CRI>97)

Illumination center values at the following distances

	2 mt 6.6 ft	3 mt 9.8 ft	5 mt 16.4 ft
SL8 Tungsten w/o Front Accessories Central Light Intensity (Candle Power)	9,000 cd 2,250 lux 209 FC	1,000 lux 92.9 FC	360 lux 33.4 FC
SL8 Tungsten with Medium Black H.Comb Central Light Intensity (Candle Power)	6,300 cd 1,575 lux 146.3 FC	700 lux 65 FC	252 lux 23.4 FC
SL8 Tungsten with Narrow Black H.Comb Central Light Intensity (Candle Power)	5,130 cd 1,283 lux 119.2 FC	570 lux 53 FC	205 lux 19 FC

C.C.T. (Correlated Color Temperature) balanced to match 5,600°K DAYLIGHT LAMPS - 360W (CRI>92)

Illumination center values at the following distances

	2 mt 6.6 ft	3 mt 9.8 ft	5 mt 16.4 ft
SL8 Daylight w/o Front Accessories Central Light Intensity (Candle Power)	9,900 cd 2,475 lux 229.9 FC	1,100 lux 102.2 FC	396 lux 36.8 FC
SL8 Daylight with Medium Black H.Comb Central Light Intensity (Candle Power)	6,930 cd 1,733 lux 161 FC	770 lux 71.5 FC	277 lux 25.7 FC
SL8 Daylight with Narrow Black H.Comb Central Light Intensity (Candle Power)	5,643 cd 1,411 lux 131.1 FC	627 lux 58.3 FC	226 lux 21 FC

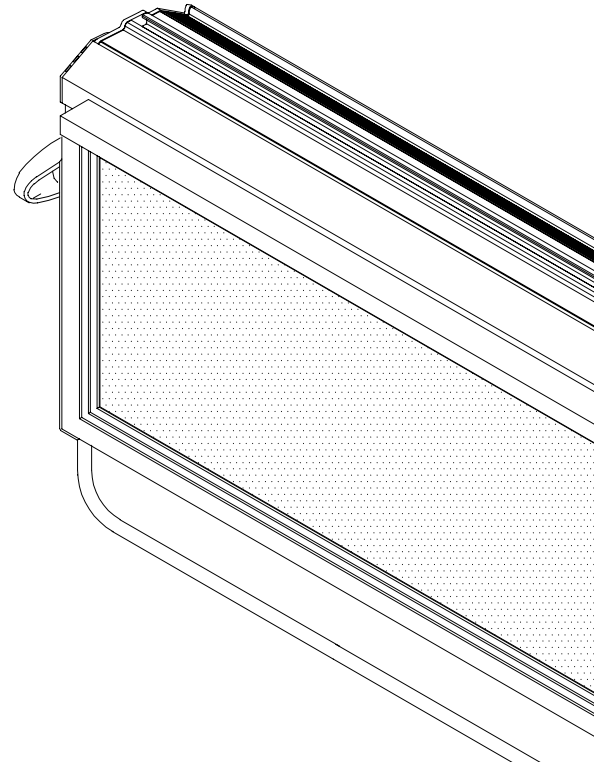
BEAM COVERAGE ON SOFT LED 8 - 360W

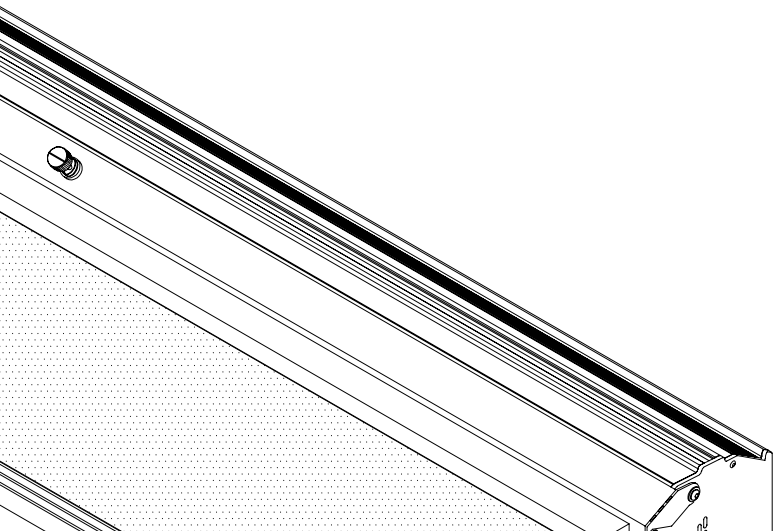
Light beam Width with Beam Angle w/o accessories	110.0°	5.71 mt 18.7 ft	8.57 mt 28.1 ft	14.28 mt 46.8 ft
Light beam Height with Beam Angle w/o accessories	100.0°	4.77 mt 15.6 ft	7.15 mt 23.4 ft	11.92 mt 39.1 ft
Light beam Width with Beam Angle with Medium Black H.Comb	60.0°	2.31 mt 7.6 ft	3.46 mt 11.3 ft	5.77 mt 18.9 ft
Light beam Height with Beam Angle with Medium Black H.Comb	55.0°	2.08 mt 6.8 ft	3.12 mt 10.2 ft	5.21 mt 17.1 ft
Light beam Width with Beam Angle with Narrow Black H.Comb	35.0°	1.26 mt 4.1 ft	1.89 mt 6.2 ft	3.15 mt 10.3 ft
Light beam Height with Beam Angle with Narrow Black H.Comb	35.0°	1.26 mt 4.1 ft	1.89 mt 6.2 ft	3.15 mt 10.3 ft

PHOTOMETRIC DATA
PRELIMINARY INFORMATION

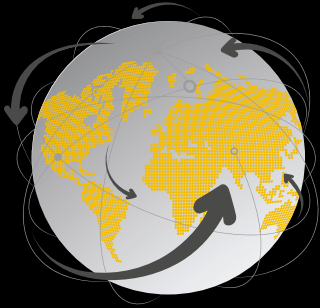
ACCESSORIES

- *BLACK Honeycomb for NEW SOFT LED fixtures, 1/4" black honeycomb, NARROW.*
 - *BLACK Honeycomb for NEW SOFT LED fixtures, 1/2" black honeycomb, MEDIUM.*
 - *Intensifier for SoftLED fixtures*
 - *Colorframe for SoftLED fixtures*
 - *Remote Phosphors Panel for SoftLED P*
 - *Manual Operated Stirrup with or w/o B.S. Spiggot*
 - *Pole Operated Stirrup with or w/o B.S. Spiggot*
-





DeSisti



ITALY

Tel. +39-06-902901
Fax +39-06-90231051
desisti@desisti.it

USA

Tel. +1-908-317-0020
Fax +1-908-317-0021
desisti@desistiusa.com

ASIA

Tel. +65-6745-1811
Fax +65-6844-3633
info@desisti.tv

SPAIN

Tel. +34-91-304-6617
Fax +34-91-304-9201
jgines@desiberica-desisti.com