

## THE SOFTBOX

### Specs and Features

#### Pro Studio Solutions EZ-Pro

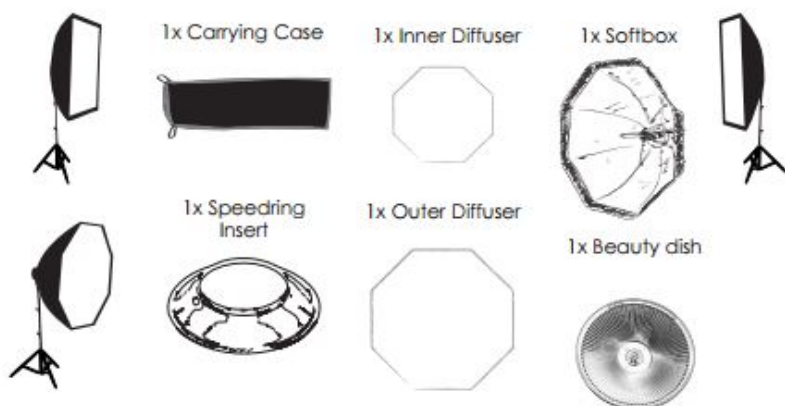
THIS UNIQUELY DESIGNED SOFTBOX is perfect for studio and location shooting. It is made with Fotodiox high quality reflective and diffusive material. The dome of the softbox is made of durable Pro-grade omni-bounce silver reflective fabric with black backing. It also features a neutral diffusive baffle inside the dome to provide softer lighting if needed. A diffusive white fabric closes the front of the softbox and is attached by Velcro. The Softbox features a patent and unique beauty dish which eliminates the harsh hot spot common in other softboxes.

#### Product Features:

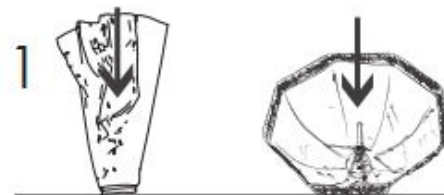
- Assemble and disassemble in a heart beat
- Great for travel. Pro grade, heat resistant reflective fabric
- Heavy duty construction
- Features inner baffle, and outer diffusive cover for even light throw
- Sealable venting for use with modeling lamp or continuous lighting
- Rotation speeding ring with thumb screw lock

## CONTENTS

### Stripbox, Rectangular/Square and Octagon Softboxes Include

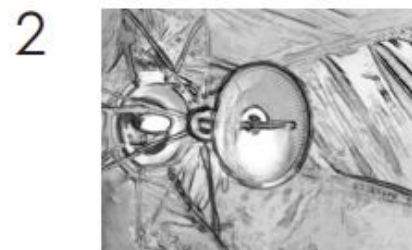


## ASSEMBLING THE SOFTBOX

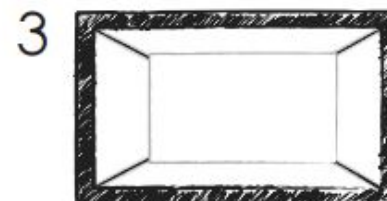


Find a large open area and stand the Softbox on the floor, silver side up.

To open, push the umbrella plate against the floor until it clicks / locks.



Place the beauty dish in the center rod at your desired distance along the center rod.



Connect all corners of the Inner Diffuser to the elastic bands.



Grab the Outer Diffuser and attach the Velcro to the entire perimeter of the Softbox. Press firmly around the perimeter to close any gaps between the Shell and the Diffuser.



Be sure attach the Diffuser on the inner side of the Softbox, leaving a good amount of Velcro to attach a Grid if desired.

5 To replace the insert (if needed) simply remove the four screws from the plate, remove the existing insert and replace it with a new insert screwing it back on.

