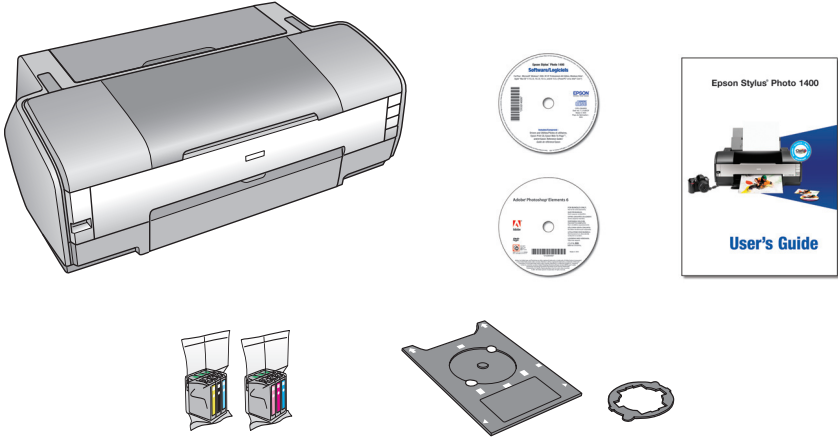


Start Here

Epson Stylus® Photo 1400

1

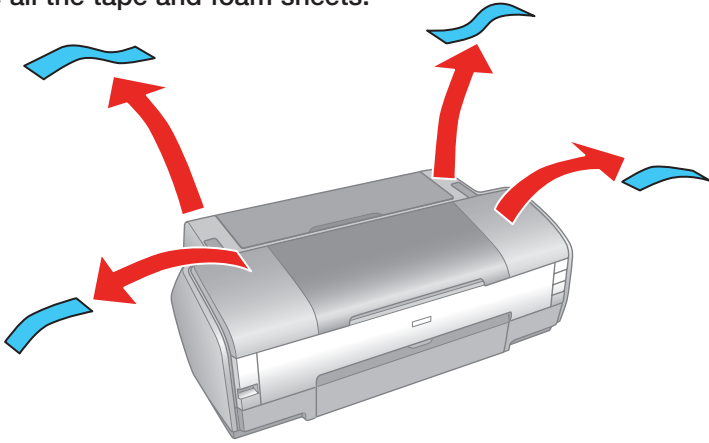
Unpack



Caution: Do not open ink cartridge packages until you are ready to install the ink. Cartridges are vacuum packed to maintain reliability.

If anything is missing, contact Epson® as described on the back of this sheet.

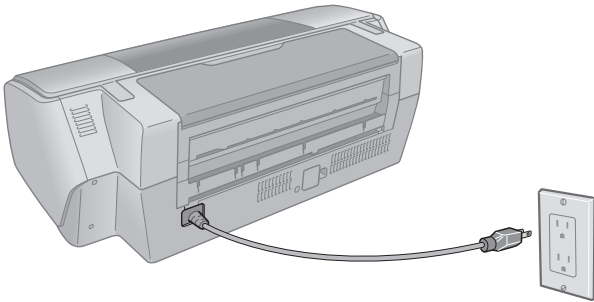
Remove all the tape and foam sheets.



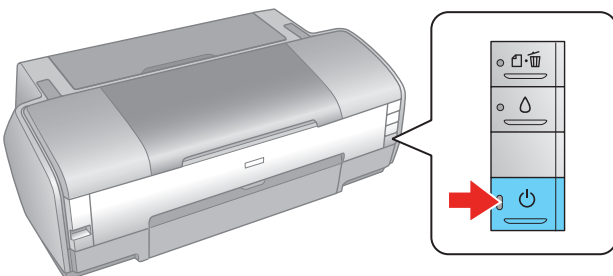
2

Turn On the Printer

1 Plug in the power cable.



2 Press the  power button.



411559800

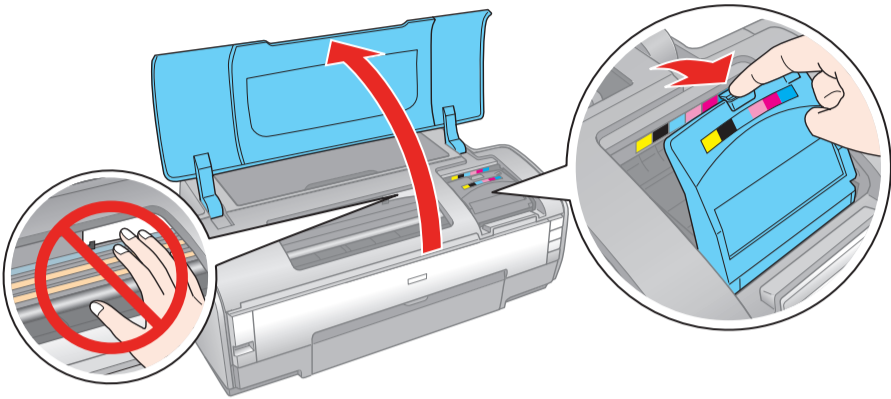
EPSON®
EXCEED YOUR VISION

3

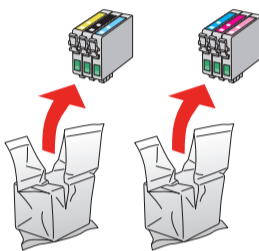
Install Ink Cartridges

Note: Don't load paper before installing the ink cartridges.

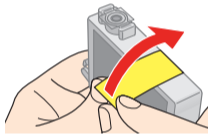
- 1 Lift up the printer cover.
- 2 Open the cartridge cover.



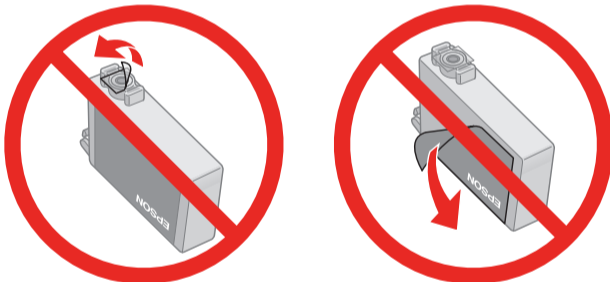
- 3 Unpack the ink cartridges.



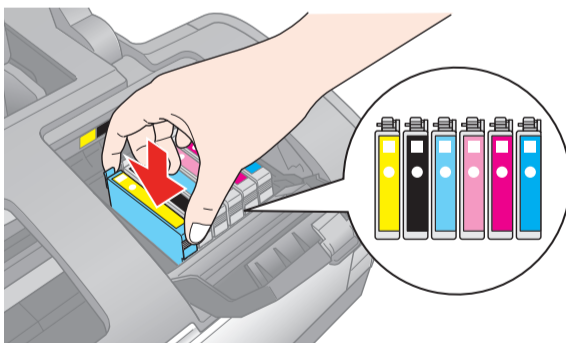
- 4 Remove only the yellow tape from each cartridge.



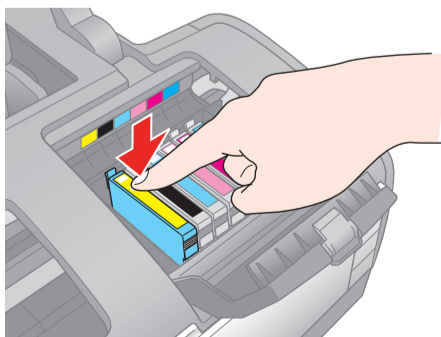
Caution: Don't remove any other seals from the cartridges.



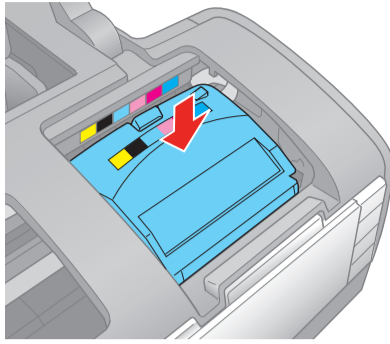
- 5 Insert the cartridges in the holder for each color.



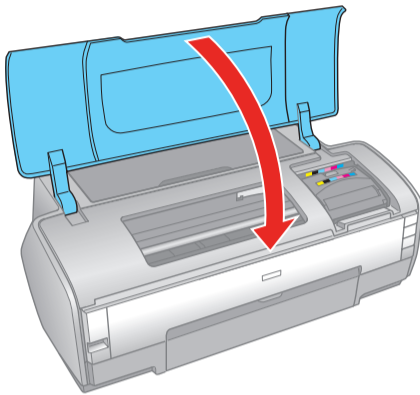
- 6 Press the cartridges down until they click.




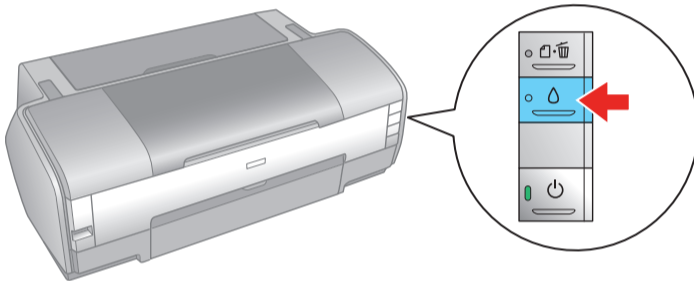
- 7** Close the ink cartridge cover and press it down until it clicks.



- 8** Close the printer cover.



- 9** Press the  ink button to charge ink. Charging takes about three minutes.

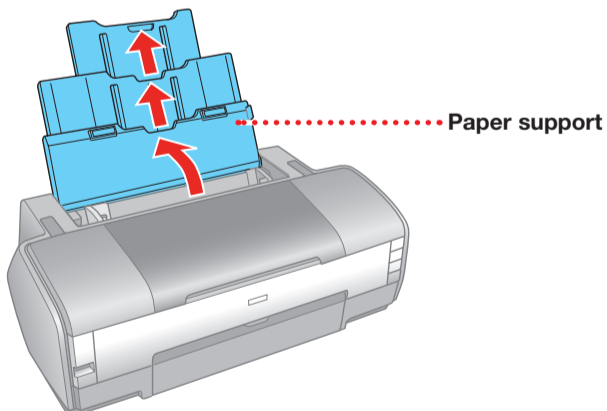


Caution: Don't turn off the printer while the  power light is flashing or you'll waste ink.

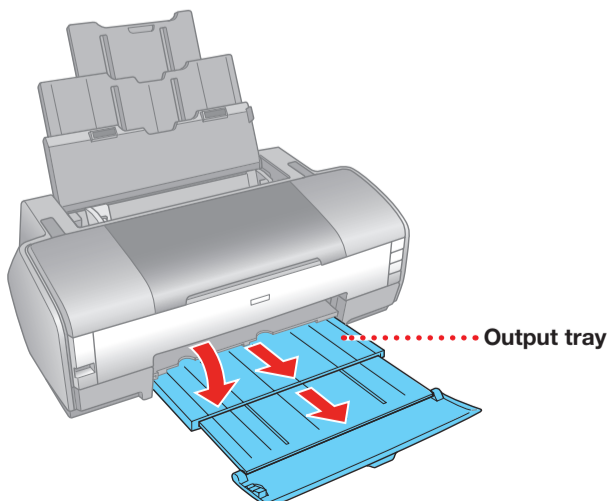
Note: The first time you install ink cartridges, the printer uses some ink to charge the printing system, so print yields may be lower with the first cartridges. Subsequent ink cartridges will last for their full rated life.

4 Load Paper

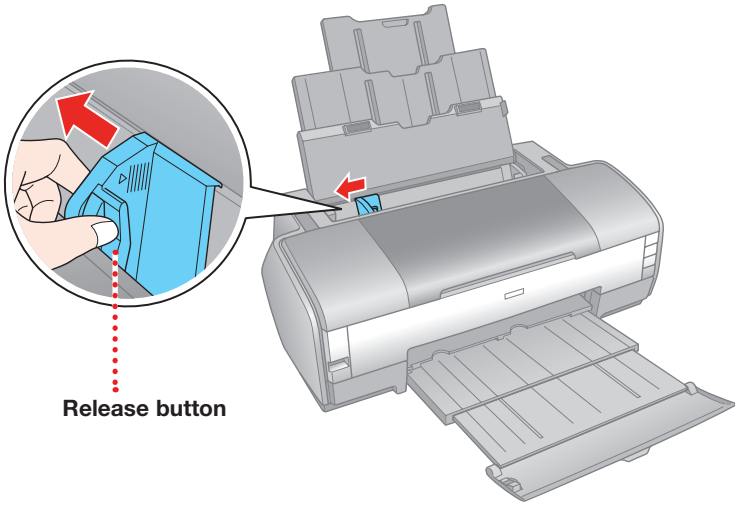
- 1** Open the paper support and pull up its extensions.



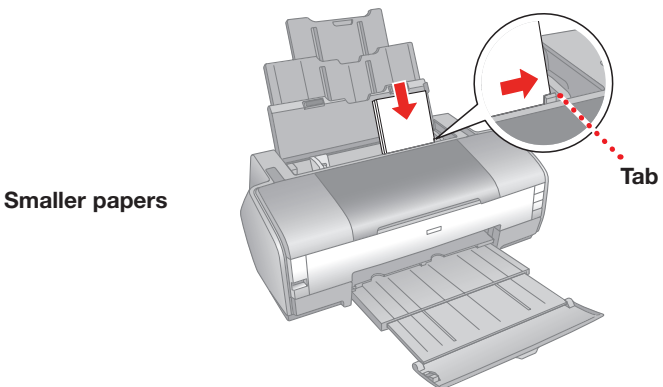
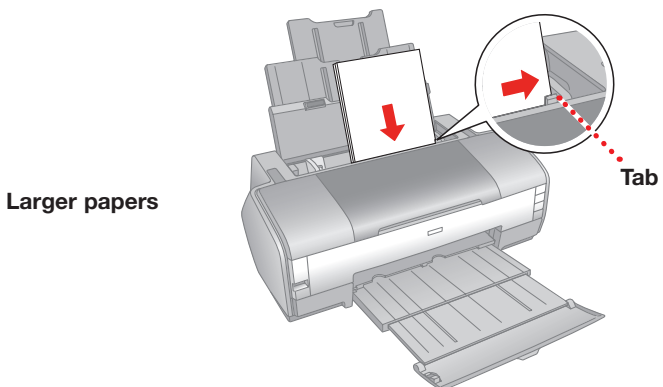
- 2** Open the output tray and pull out its extension.



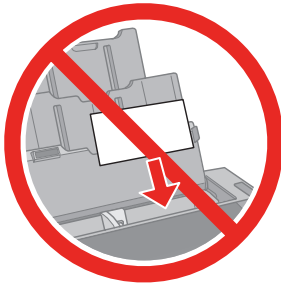
- 3** Press in the release button and slide the edge guide to the left.



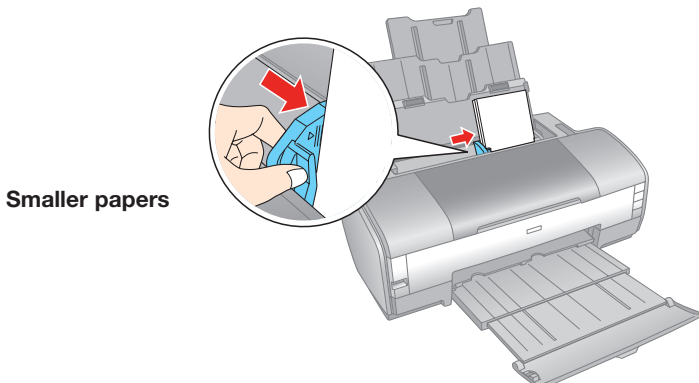
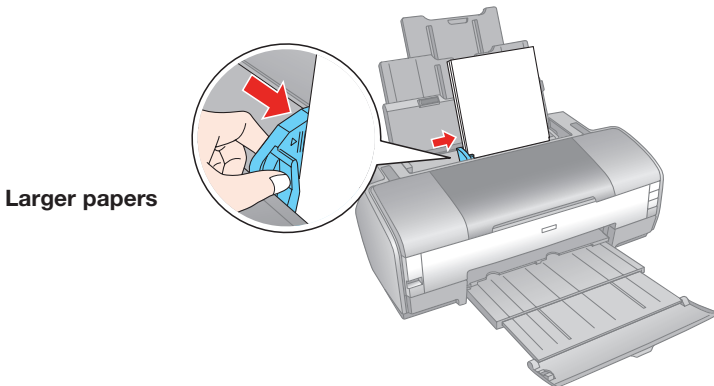
- 4** Load paper against the right edge guide and behind the tab.



Note: Don't load paper sideways; always load it short edge first.



- 5** Press in the release button and slide the left edge guide over.



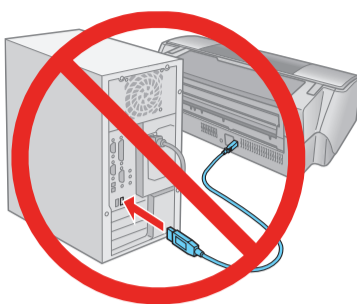
5

Install Software

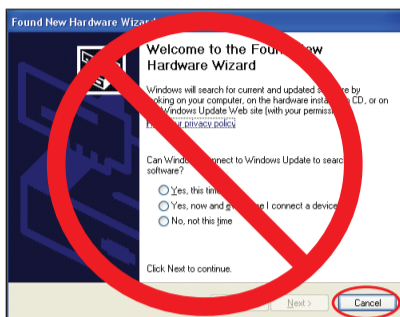
Your software works with Windows® 2000, XP, XP Professional x64 Edition, and Windows Vista®, and Mac OS® X 10.2.8, 10.3.9, 10.4.x, and 10.5.x.

Windows

- 1 Make sure the printer is **NOT CONNECTED** to your computer.



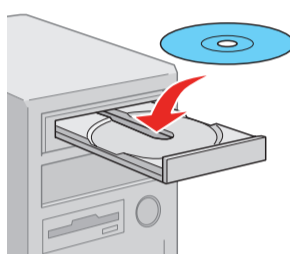
Note: If you see a screen like this, click **Cancel** and disconnect the USB cable. You can't install your software that way.



- 2 Insert the printer **Software CD**.

With Windows Vista, if you see the Autoplay window, click **Run Epsetup.exe**.

Then click **Continue** at the User Account Control screen.



- 3 Click **Install** and follow the on-screen instructions. Software installation takes several minutes.

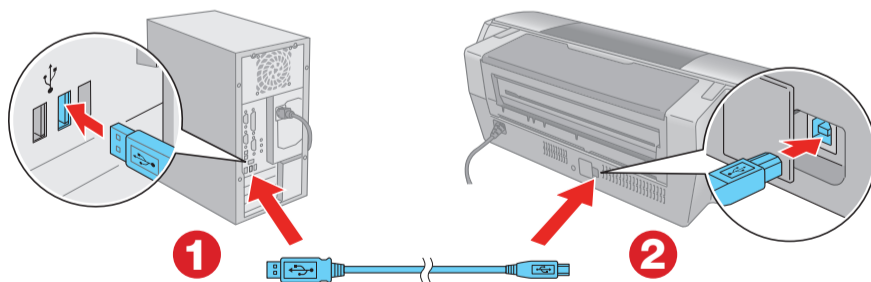


- 4 When you see this screen, click the first option and then click **Next**.

If you will connect your printer to your computer through an external print server, click the second option, click **Next**, and skip to step 7.



- 5 When prompted, connect the USB cable. Use any open USB port on your computer. Make sure the printer is turned on.



Note: If installation doesn't continue after a moment, make sure you securely connected and turned on the printer.

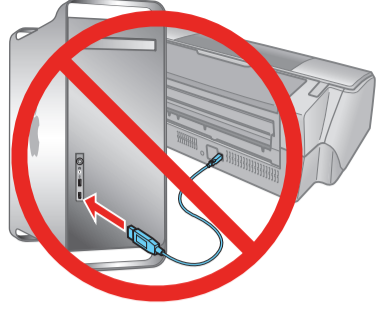
- 6 Follow the on-screen instructions to install the rest of the software and register your printer.

- 7 When you're done, remove the CD.

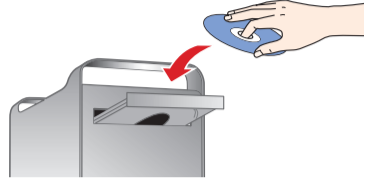
You're ready to print! See your *User's Guide* or your on-screen *Reference Guide* for instructions.

Macintosh

- 1** Make sure the printer is **NOT CONNECTED** to your computer.

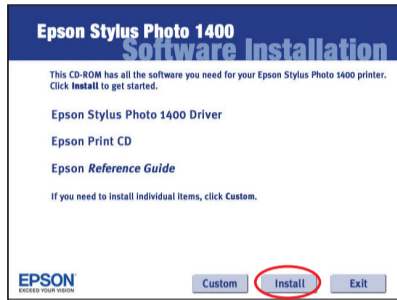


- 2** Insert the printer Software CD.

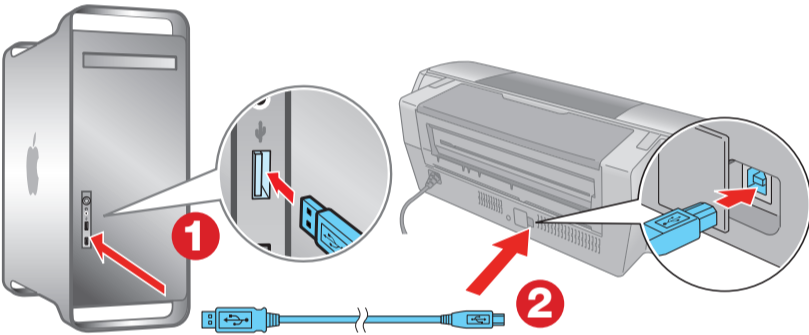


- 3** Double-click the **EPSON** Epson icon.

- 4** Click **Install** and follow the on-screen instructions. Software installation takes several minutes.



- 5** When prompted, connect the USB cable. Use any open USB port on your computer. Make sure the printer is turned on.



- 6** Mac OS X 10.5 users: skip to step 10.
Other users: continue with step 7.

- 7** When you see this screen, click **Open the Printer List**.



- 8** Follow the steps to the right to add the Stylus Photo 1400.



..... Instructions

- 9** Click **Next** again, if necessary.

- 10** Follow the on-screen instructions to install the rest of the software and register your printer.

- 11** When you're done, eject the CD.

You're ready to print! See your *User's Guide* or your on-screen *Reference Guide* for instructions.

Solving Problems

The printer makes noise after ink cartridge installation.

- The first time you install ink cartridges, the printer must charge its print head for three minutes or so. Wait until charging finishes (the green power light stops flashing) before you turn off the printer, or it may charge improperly and use excess ink the next time you turn it on.
- If the printer stops moving or making noise, but the green power light is still flashing after five minutes, turn off the printer. If the light is still flashing when you turn it back on, contact Epson as described in “Any Questions?”.
- Turn off the printer, then make sure the ink cartridges are inserted all the way and the ink cartridge cover is closed completely. Also make sure no packing material remains in the printer. Wait a moment, then turn the printer back on to clear the error.

You’re having problems installing the printer software.

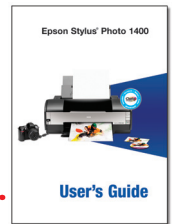
- Carefully follow the installation instructions to the left. Do not connect your printer to the computer until you are instructed to do so, and make sure your printer is turned on and the USB cable is securely connected at both ends. Also make sure your system meets the system requirements listed in the *User’s Guide*.
- Close your other programs, including any screen savers and virus protection software, and install the software again.

Any Questions?

Look here for answers:

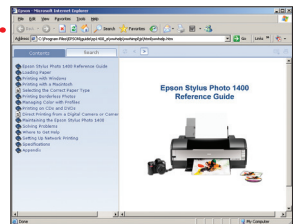
User’s Guide

Basic steps for using the printer.



On-screen Reference Guide

Click the desktop shortcut for easy access to printer information.



On-screen help with your software

Select **Help** or **?** when you’re using your software.

Epson Technical Support

Internet Support

Visit Epson’s support website at epson.com/support and select your product for solutions to common problems. You can download drivers and documentation, get FAQs and troubleshooting advice, or e-mail Epson with your questions.

Speak to a Support Representative

Before you call Epson for support, please have the following information ready:

- Product name (Epson Stylus Photo 1400)
- Product serial number (located on the back of the printer)
- Proof of purchase (such as a store receipt) and date of purchase
- Computer configuration
- Description of the problem

Then call:

- U.S.: (562) 276-7282, 6 AM to 6 PM, Pacific Time, Monday through Friday
- Canada: (905) 709-2567, 6 AM to 6 PM, Pacific Time, Monday through Friday

Days and hours of support are subject to change without notice.
Toll or long distance charges may apply.

Software Technical Support

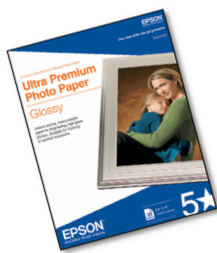
Adobe® Photoshop® Elements
(206) 675-6358
Web: www.adobe.com/support

Need Paper and Ink?

For the best prints, use genuine Epson paper and ink. You can purchase them at Epson Supplies CentralSM at www.epson.com/ink3 (U.S. sales) or www.epson.ca (Canadian sales). You can also purchase genuine Epson paper and ink from an Epson authorized reseller. To find the nearest one, call 800-GO-EPSON (800-463-7766).

Recommended Papers

Epson papers are specially coated to work with genuine Epson inks for optimal image quality and maximum longevity.



Ultra Premium Photo Paper Glossy

Instant-drying heavyweight paper for long-lasting, high gloss photos. Suitable for framing or special occasions.



Premium Photo Paper Glossy

High gloss, instant-drying paper for beautiful, durable photos made to share or display in an album.

Genuine Epson Inks



Look for the number below to find your cartridges. It's as easy as remembering your number!



Black T079120



Magenta T079320



Cyan T079220



Lt. Magenta T079620



Lt. Cyan T079520



Yellow T079420

Epson, Epson Stylus, and Claria are registered trademarks; Epson Exceed Your Vision is a registered logomark; and Supplies Central is a service mark of Seiko Epson Corporation.

General Notice: Other product names used herein are for identification purposes only and may be trademarks of their respective owners. Epson disclaims any and all rights in those marks.

This information is subject to change without notice.

© 2008 Epson America, Inc. 8/08

CPD-22648R1

Cut out the card below and keep it with you when purchasing replacement ink cartridges.

Epson Stylus® Photo 1400 Ink

| | |
|------------------|---------------------|
| Black T079120 | Magenta T079320 |
| Cyan T079220 | Lt. Magenta T079620 |
| Lt. Cyan T079520 | Yellow T079420 |