

## SPECIFICATIONS:

Weight: .....4.4 ounces (125g)  
Height:.....2" overall, 1.85" added height  
Load Capacity:..... 5 pounds (2.3kg)  
Tripod Mount:.....female ¼"-20 socket  
Ball Articulation: ..... ±45°, 90° notch  
Panning Base:..... 5° increments, zero to 360°  
Optional Mount Stud: .....1/4"-20 x 1/2"  
Ball Diameter:..... 16mm  
Stem Base Diameter:..... 0.725"  
Tension Adjustment:..... via ball clamp lever  
Locking Mechanism:.....nested jaw & pan lock knobs

***PATENT PENDING***

## MAINTENANCE

### General Care

Keep ball free of dust and grit. Do not attempt to disassemble the BPC-16.

### Clamp Maintenance

Our clamp delivers a lifetime of wear. However, from time to time, we recommend placing a drop of lubricant on the shaft to prevent binding. If you find that your clamp is not closing as smoothly as it used to, unscrew the knob to fully open the clamp and turn it upside down. Blow out any dirt or grit, and place a drop of lubricant on the threads.

### GUARANTEE

ALL REALLY RIGHT STUFF BRAND PRODUCTS ARE GUARANTEED TO THE ORIGINAL PURCHASER TO BE FREE OF DEFECTS IN MATERIALS OR WORKMANSHIP FOR FIVE (5) YEARS FROM THE DATE OF PURCHASE. PRODUCTS WILL BE REPAIRED OR REPLACED AT OUR OPTION.

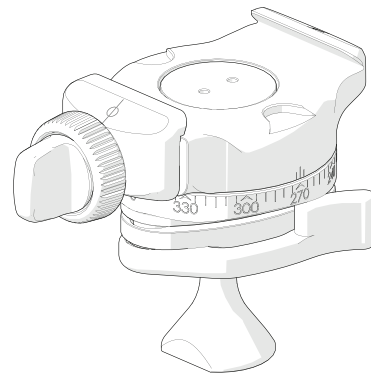
®, ™, © 1990-2018 Really Right Stuff, LLC. All rights reserved.



1146 Farmhouse Lane, San Luis Obispo, CA 93401 USA  
1-805-528-6321 | 1-888-777-5557  
[www.ReallyRightStuff.com](http://www.ReallyRightStuff.com)

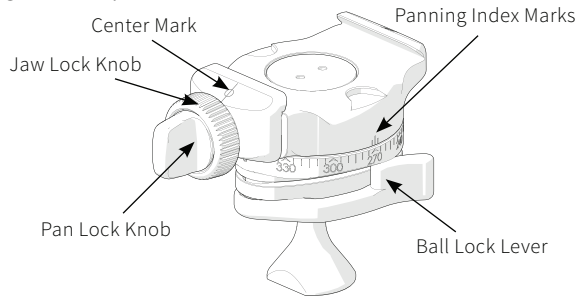
# BPC-16 PANNING MICRO BALL

***PATENT PENDING***

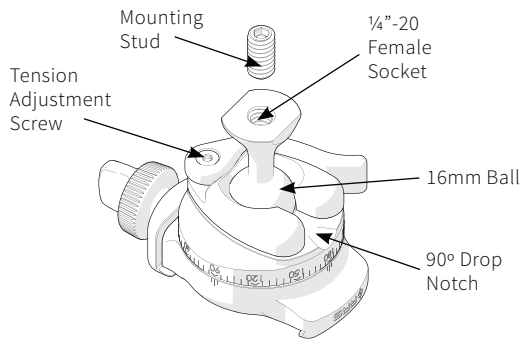


Comes with ¼"-20 stud, ⅛" hex key, T8 Torx

## TOP VIEW:



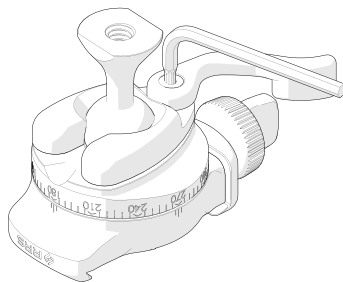
## BOTTOM VIEW:



## TENSION ADJUSTMENT

The BPC-16 comes from the factory with a tension setting that is suitable for most support setups. The ball lock lever can also be adjusted to apply more press tension to the ball.

- 1 Position Ball Lock Lever to the middle and insert Torx key tool into Tension Adjustment Screw

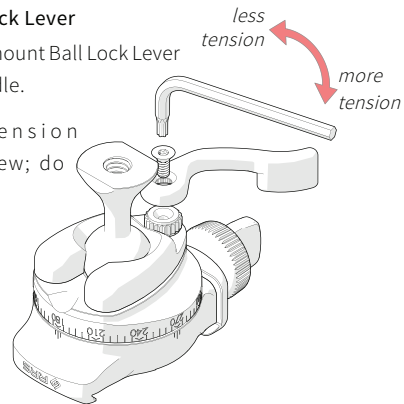


- 2 Remove Tension Adjustment Screw and Ball Lock Lever

- 3 Re-install Ball Lock Lever

For less tension, mount Ball Lock Lever to the left of middle.

Re-install Tension Adjustment Screw; do not overtighten.



## USING THE DROP NOTCH

- 1 Loosen the Ball Lock Knob
- 2 Fully seat camera into the drop notch
- 3 Release Pan Lock Knob, rotate the camera to your desired angle and retighten Pan Lock Knob

