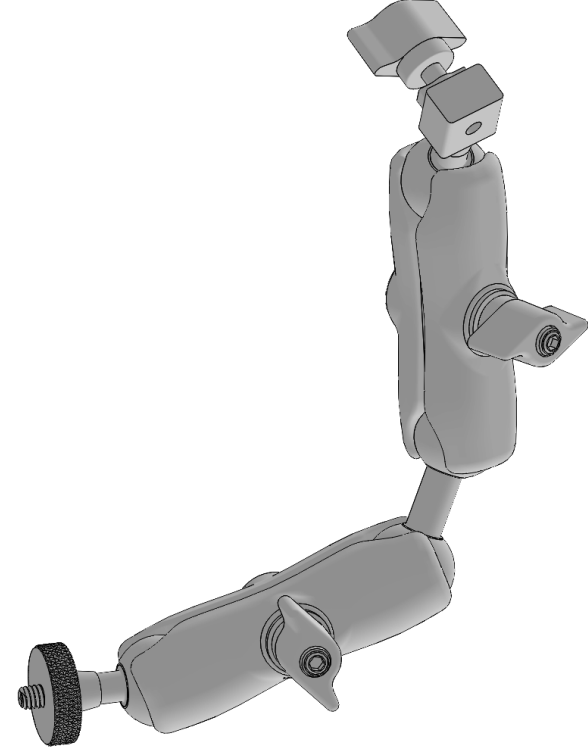


Wimberley

M-4 Macro Arm Flash Bracket Module

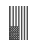
M-4 Macro Arm



Weight: 12.1 oz
Dimensions (Overall L x W x H): 11.0 X 2.36 x 1.27 in
Materials: Powder coated aluminum, stainless steel, Ram Mount rubber balls

Package Contents:

- M-4 Module: Macro Arm (Qty 1)

Made in USA 

Wimberley, Inc.
1750 Broadway St
Charlottesville, VA
22902 USA

Phone: 1-434-529-8385
Toll Free: 1-888-665-2746 (USA & Canada)

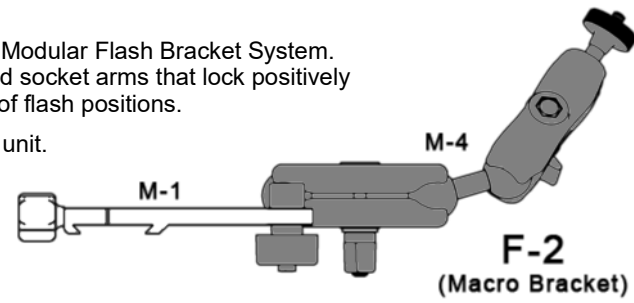
www.tripodhead.com
info@tripodhead.com

5 Year Warranty – for details see www.tripodhead.com/warranty.cfm

The M-4 Macro Arm:

is one component of the Wimberley Modular Flash Bracket System. It is comprised of two double ball and socket arms that lock positively and offer an almost endless variety of flash positions.

It is included in the following combo unit.



Attaching and Removing Your Flash Unit:

Wimberley Flash brackets have a 1/4"-20 thumbscrew that attaches to an off-camera hot shoe cable or a wireless cold shoe adapter such as the Wimberley AP-7. The flash cord connects your flash unit to the camera body electrically. We do not sell flash cords.

Please follow camera and flash unit recommendations when purchasing flash cords to ensure proper signal transmission.

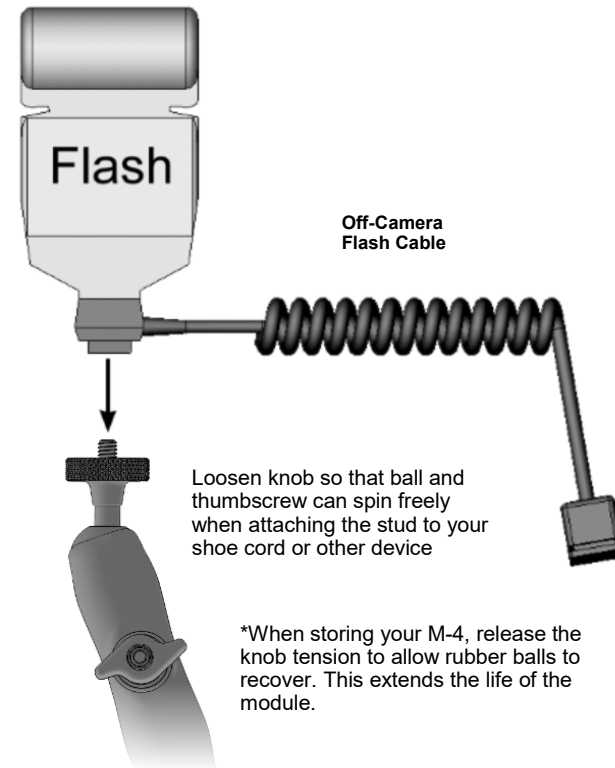


Canon Off-camera Shoe Cord

Nikon Off-Camera Shoe Cord



AP-7 Cold Shoe



Off-Camera Flash Cable

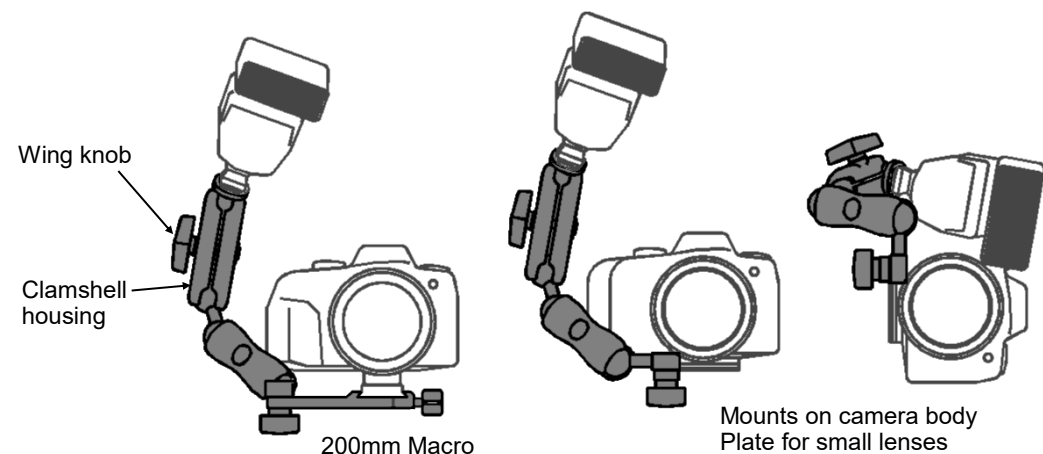
Loosen knob so that ball and thumbscrew can spin freely when attaching the stud to your shoe cord or other device

*When storing your M-4, release the knob tension to allow rubber balls to recover. This extends the life of the module.

Positioning your Flash:

To position your flash, simply loosen the two wing knobs on the Macro Arm clamshells.

Loosening all four ball & socket joints allows for quite a wide array of flash positions. Tighten the wing knobs to lock the flash securely into position.

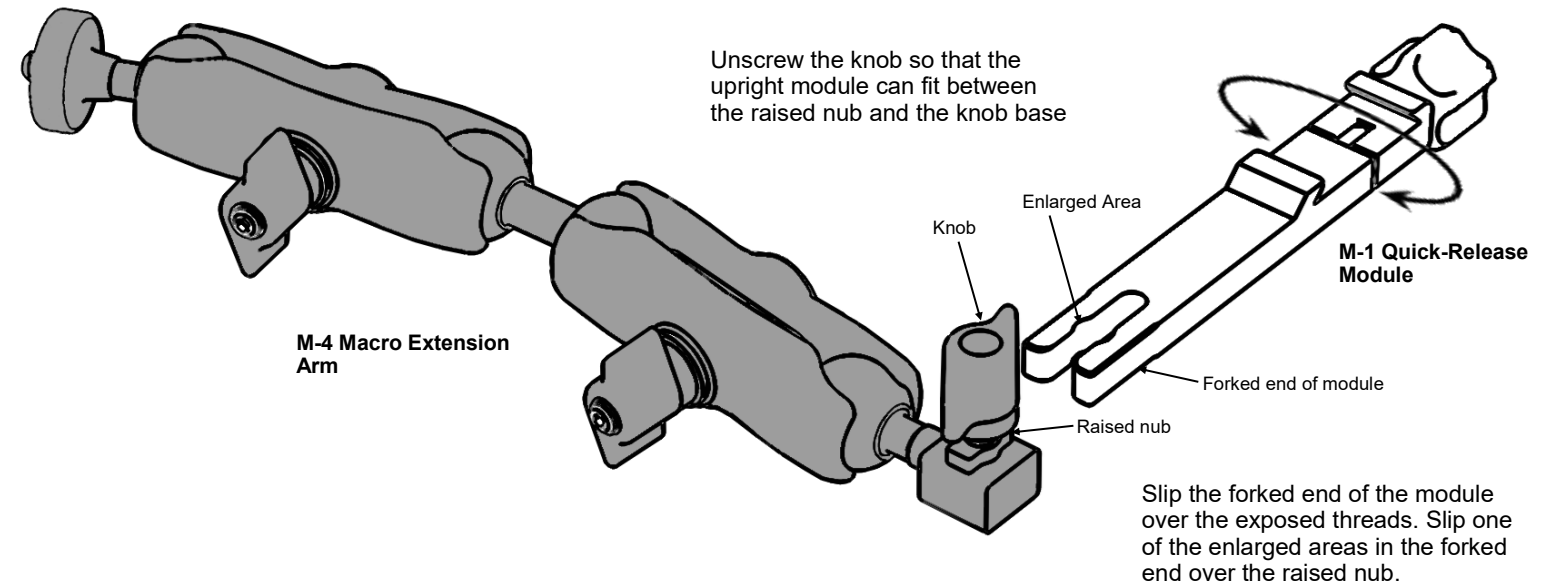


200mm Macro

Mounts on camera body Plate for small lenses

F-2 Macro bracket shown attached to lens plate

Connecting Flash Bracket Modules:



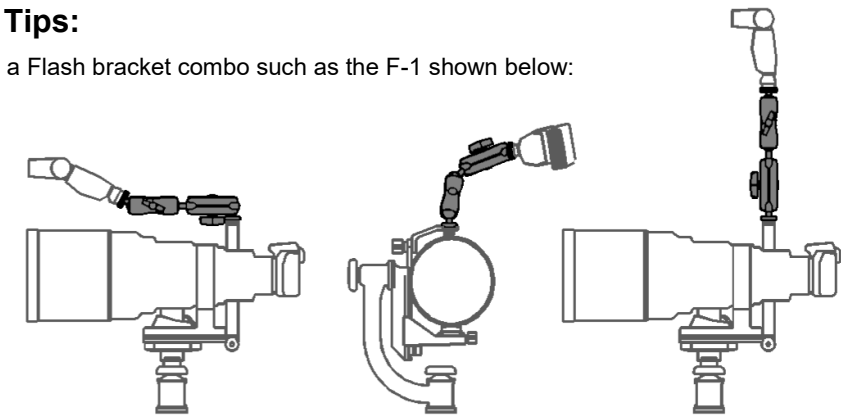
Unscrew the knob so that the upright module can fit between the raised nub and the knob base

M-1 Quick-release Arm Module can be flipped to face QR up or down.

Slip the forked end of the module over the exposed threads. Slip one of the enlarged areas in the forked end over the raised nub.

Other Uses and Tips:

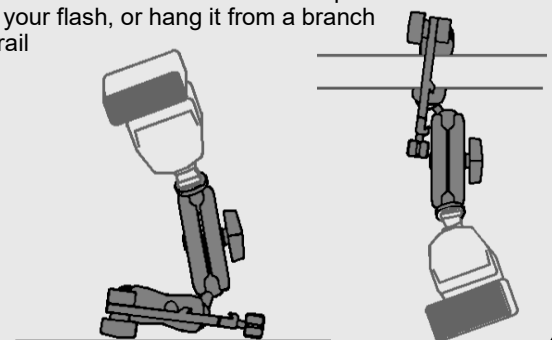
Use the M-4 to extend a Flash bracket combo such as the F-1 shown below:



After extended use you may have trouble with the balls slipping or creeping when fully tightened. If this occurs try washing the rubber surfaces with a small amount of dishwashing soap and a toothbrush to remove any oils that may have gotten onto the rubber. Rinse well and allow to dry thoroughly before using.

Please contact us if you have difficulty with the performance of your macro bracket.

Use the bracket with an M-1 module unattached to the lens as a mini tripod for your flash, or hang it from a branch or rail



Thank you for your interest in Wimberley products. If you have any questions or comments please feel free to contact us.