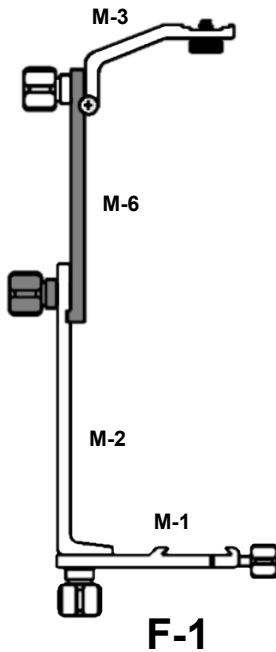


About the M-6

The **M-6 Extension Post** allows you to extend the height of your flash bracket to reduce red-eye or "steel eye" reflections in people or animal subjects.



Telephoto Bracket with M-6 Extension

The M-6 gives you up to 5" of flash extension. You can combine up to three extension posts to achieve the desired height.

Pairs fit together for compact storage.

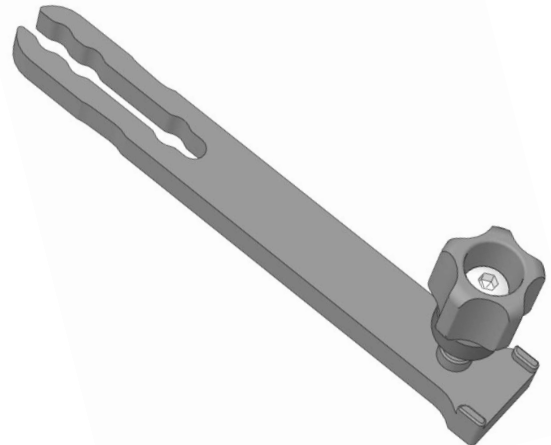


Wimberley

M-6 Extension Post Flash Bracket Module



7 53182 83426 9



Weight: 2.8 oz

Dimensions (Overall L x W x H): 6.0 x 0.95 x 1.6 in

Materials: Anodized 6061 Aluminum, stainless steel fasteners

Package Contents:

- **M-6 Module:** Extension Post (Qty 1) Made in USA

Wimberley, Inc.

1750 Broadway St
Charlottesville, VA
22902 USA

Phone: 1-434-529-8385

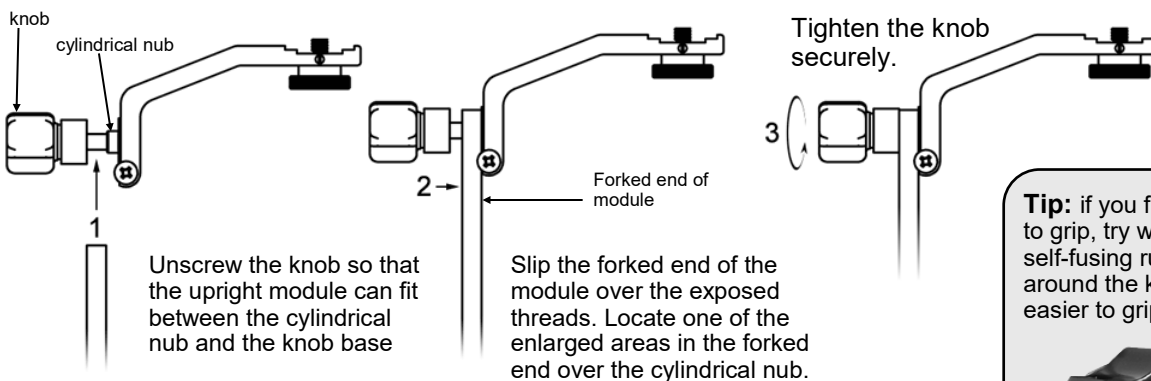
Toll Free: 1-888-665-2746 (USA & Canada)

www.tripodhead.com info@tripodhead.com

5 Year Warranty – See www.tripodhead.com/warranty.cfm for complete details

Connecting Flash Bracket Modules:

(The figure below shows the connection between M-3 and upright module; the same principle applies for other module connections.)



Tip: if you find the metal knobs difficult to grip, try wrapping several layers of self-fusing rubber grip tape (**3M 2155**) around the knob to cushion it and make it easier to grip in the field.

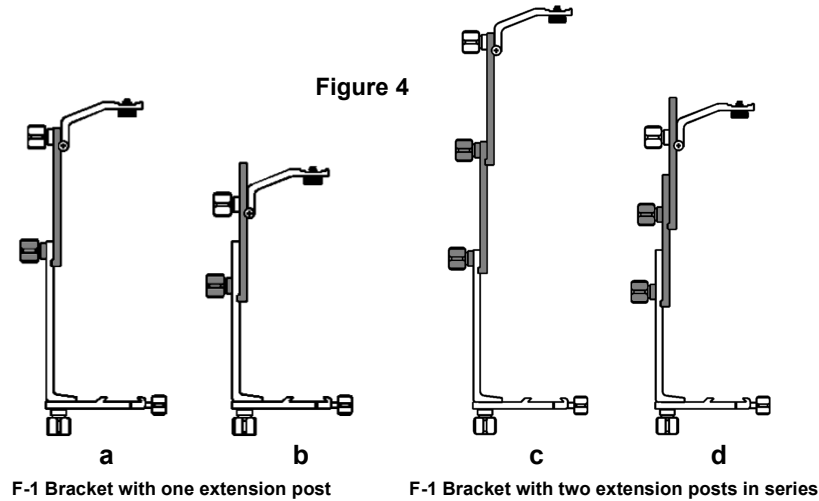


Feel free to contact us if you have any questions.

Instructions continued on back>>

— Instructions (Continued)

If you desire less than 5" of extension, you can lower the flash by positioning the M-3 Tilt Arm in the lowest slot of the forked end of the post module. In some cases, you can also position the Extension Post in the lower slot of the module to which it is attached. This allows you to have as little as 2" of extension (Fig. 4 b).

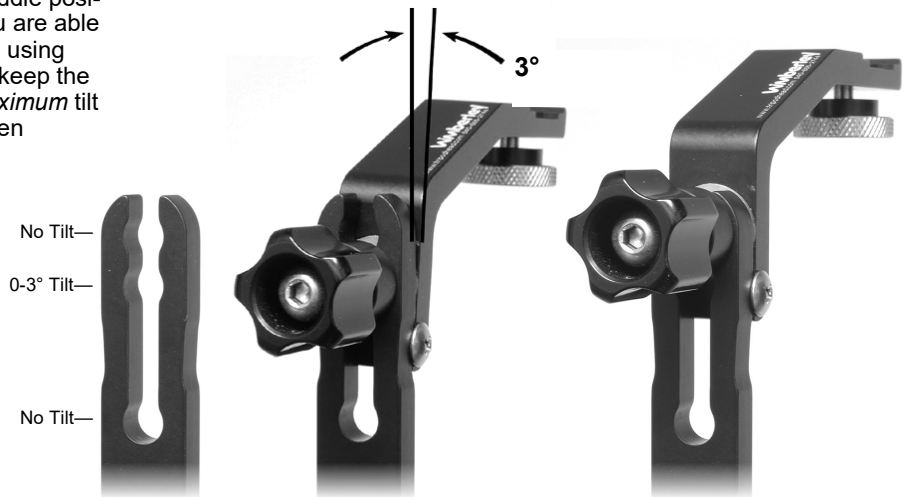


Adjusting the Tilt and Height of your flash:

You may need to tilt the flash so that it is pointed down at the subject if you extend the flash well above the lens barrel or when your subject is close.

If you attach the tilt arm of your flash bracket in the middle position of the slot of the M-6 module, you will find that you are able to tilt the flash 3 degrees forward even though you are using both of the stop screws in the tilt arm (which normally keep the flash from tilting at all). This three degree tilt is the *maximum* tilt that you should need to counteract 5" of extension when shooting at a subject 8 feet away from the flash. If your subject is further away, you need not tilt the flash the full 3 degrees, but the 3 degree stopping position gives you a handy benchmark.

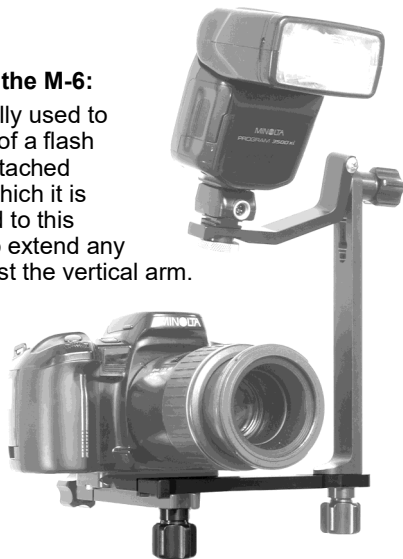
When you do not need to tilt the flash, simply use the upper or lower position in the slot of the M-6. This will ensure that your flash is always pointed parallel to the lens barrel. If you use two Extension Posts in series, you can use the middle position of both posts, giving you a maximum of 6 degrees of tilt.



Other uses:

Extending Laterally with the M-6:

The M-6 module is generally used to extend the vertical aspect of a flash bracket and is generally attached parallel to the piece with which it is mating. You are not limited to this however. You can use it to extend any part of your bracket, not just the vertical arm.



To shoot from a blind or vehicle:

attaching the Extension Post in a perpendicular orientation to other Wimberley Flash Bracket Modules allows you to extend your flash up and out of the window or blind opening.



Thank you for your interest in Wimberley products. If you have any questions or comments please feel free to contact us.