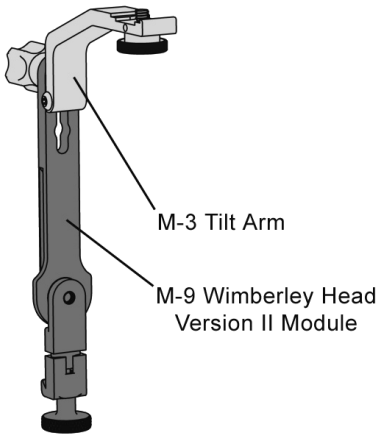


About the M-9

The **M-9 Wimberley Head Bracket** is a vertical upright with an Arca-Swiss style quick-release that is useful for several flash applications. It is part of the Wimberley Modular Flash Bracket System. It is included in the following combo unit.



F-9

(Wimberley Head Version II Flash Bracket)

Wimberley

M-9 Wimberley Head Version II Flash Bracket Module



Weight: 3.1 oz
 Dimensions (Overall L x W x H): 7.5 x 1.27 x .3 in
 Materials: Anodized 6061 Aluminum, stainless steel fasteners

Package Contents:

- **M-9 Module** - Wimberley Head Version II Upright and Quick-release (Qty 1) Made in USA

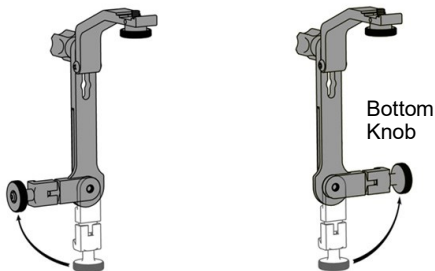
Wimberley, Inc. Phone: 1-434-529-8385
 1750 Broadway St Toll Free: 1-888-665-2746 (USA & Canada)
 Charlottesville, VA 22902 USA www.tripodhead.com info@tripodhead.com

5 Year Warranty – See www.tripodhead.com/warranty.cfm for complete details

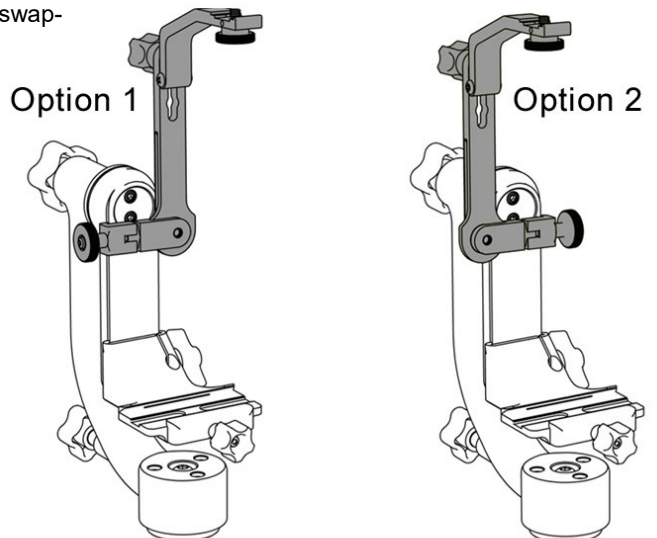
Attaching the M-9 Bracket to the Wimberley Head Version II:

The M-9 bracket is designed to attach to the Arca Swiss slots on the swing arm of the Wimberley Head version II (WH-200). This bracket can stay on the head when swapping lenses.

1. Pivot the moving jaw with the knob to either side, perpendicular to the upright portion of the M-9 module. Choose the option that feels best to you and allows you to comfortably access the focusing ring on your lens.



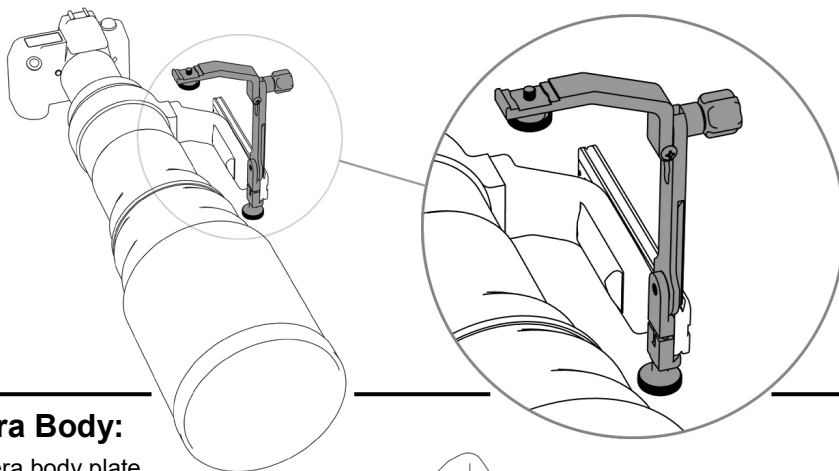
2. Loosen the bottom knob until it will fit on arm dovetail.
3. Slide the bracket down the swing arm from the top. Turn the M-9 screw knob to tighten the clamp jaws and secure the bracket on the swing



Instructions continued on back >>

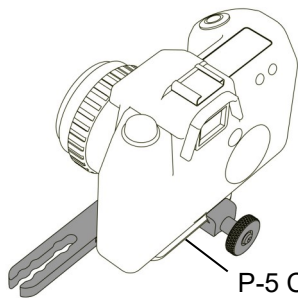
Sidemount Configuration:

The M-9 (with an M-3 as an F-9 combo) Bracket can also be used on the side-mount gimbal heads such as the **Wimberley Sidemount Head** and the **Sidekick**. Swivel the M-9's quick-release arm to the straight position, then attach the bracket to the dovetail on your Arca-Swiss style lens plate.

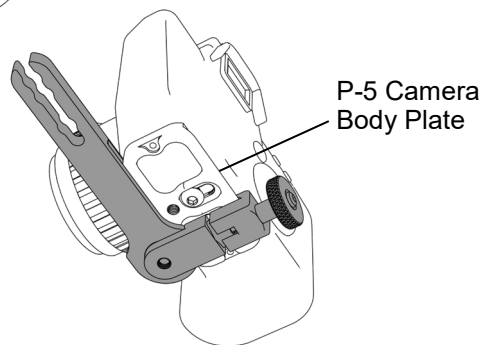


Attaching Module M-9 to Your Camera Body:

You can attach the M-9 to an Arca-Swiss style camera body plate as shown.



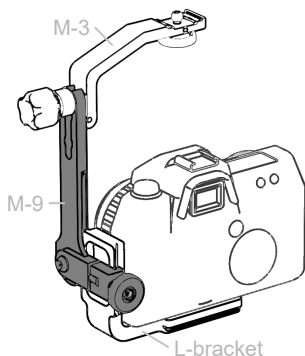
P-5 Camera Body Plate



P-5 Camera Body Plate

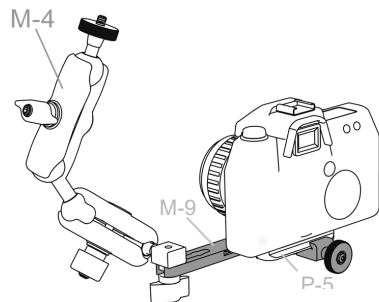
Attaching Module M-9 to an L-Plate:

You can attach the M-9 to an Arca-Swiss style camera L-plate as shown.

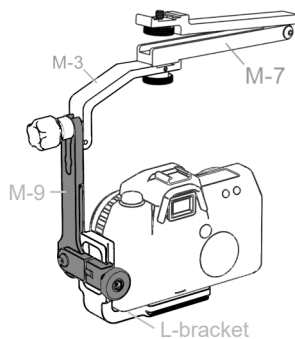


Macro, Wedding and Portrait Photography:

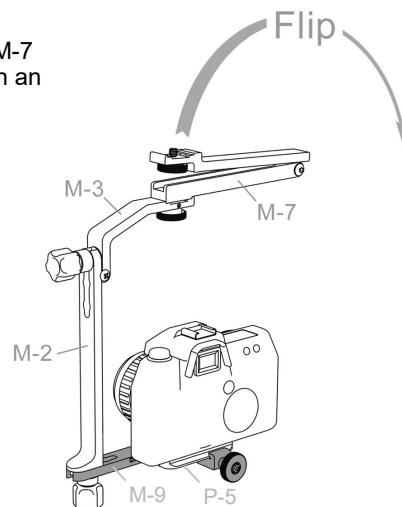
You can also attach an M-4 module to form a macro bracket, or attach modules M-2, M-3, & M-7 to form a quick-flip bracket for wedding & portrait photography. The M-9 can also be used with an Arca-Swiss compatible L-bracket for additional positioning flexibility.



Macro Bracket



Quick-Flip Bracket



Thank you for your interest in Wimberley products. If you have any questions or comments please feel free to contact us.