

**Bushnell**<sup>®</sup>

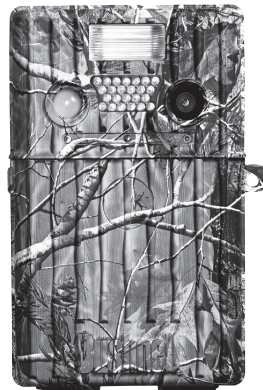
**TRAILSCOUT**<sup>™</sup>



Model 119833



Model 119935



Model 119905

LIT. #: 98-0918/05-07





<u>CONTENTS</u>	<u>PG#</u>
English	4
Français	24
Español	44
Deutsch	64
Italiano	84
Português	104





## English

Congratulations on your purchase of the Bushnell® Digital Trail Scout™ Camera! This trail camera is designed to record the activity of wildlife game in the outdoors with its still image and movie modes and weatherproof, rugged construction. This instruction manual is designed to maximize your understanding of how the camera operates.

### **Bushnell Digital Trail Scout Features (All Models)**

One of the most revolutionary advances in scouting technology to date, the Bushnell Digital Trail Scout delivers. Boasting one of the most user friendly interfaces in the industry, this trail camera has a positive toggle switch system that instantly tells you what your camera settings are—without fumbling with a confusing software interface! The built-in security system has four levels of security. Every Trail Scout comes complete with padlock, cable lock, tree bracket for screw attachment, and software password that locks out would-be thieves. The high resolution digital camera delivers crisp views of game in your area and stamps each image with the date, time, your name, and even the moon phase. Along with regular image mode, there is a movie mode for 15 second video clips (with sound in models 119935/119905). The camera will function during day, night, or all 24 hours and sense game out to 45 feet. The oversized xenon (standard) flash will reach out to 30 feet. Image delay settings include 30 seconds, 1 minute and 2 minutes. The innovative backlit LCD makes set up a breeze in the field. The Trail Scout is weatherproof and rugged.



## DIGITAL TRAIL SCOUT MODELS

### 119833—Digital Trail Scout 3.0MP

Great images and scouting technology at a great value. This camera will sense deer and other game as far out as 45 feet with its passive infrared sensor. Low-battery indicator lights when battery life drops below 25%. Motion LED lights when activity is detected by the sensor in regular imaging mode and during setup mode for aiming. Weatherproof. Date/Time/Moon Phase stamp feature. Comes complete with aircraft aluminum security cable, padlock, and tree bracket. Textured “bark-like” surface for maximum concealment.

### 119935/119905 (RealTree AP® Camo)—Digital Trail Scout 5.0MP with Night Vision

With all the features of the 3.0MP Trail Scout plus Night Vision and more, this is the top of the line digital trail camera. Still photos are captured with 5 megapixel resolution (via software processing), and the video clips include audio collected by a built-in microphone. Choose your setting for regular camera flash or stealth-like LED flash. LED flash enables you to discretely image game in the night without a visible flash. There is no need to worry about your flash giving away your position in popular, busy hunting areas. And no need to manually set an infrared filter switch for day or night mode to get great results—it's done for you automatically. This camera even includes a laser aiming feature for easy set up in the woods.

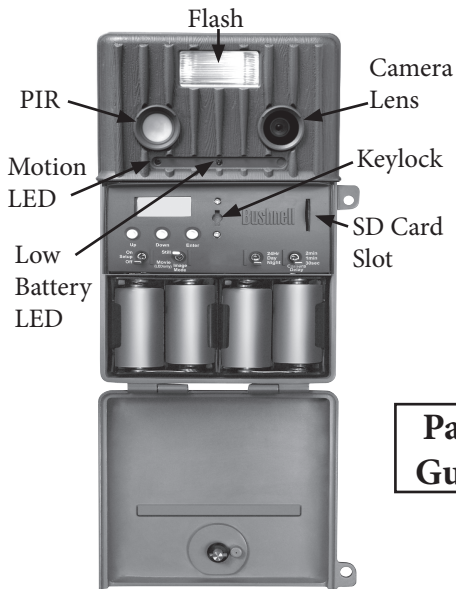


## DIGITAL TRAIL SCOUT SPECIFICATIONS

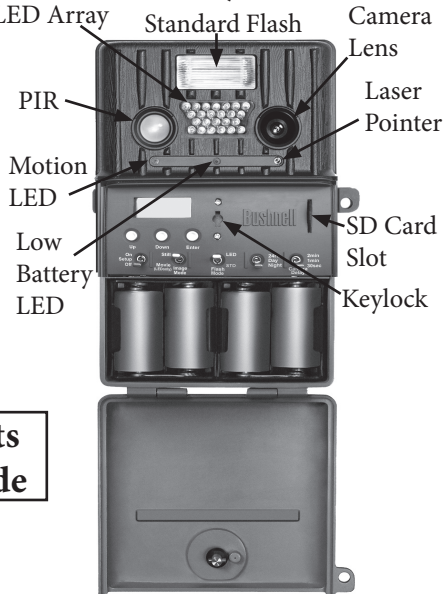
Image Sensor	1/2" CMOS, 3.0 million pixels (models 119935/119905 capture images with 5MP resolution via software processing)
Lens	F/3.5, effective focal length 42mm. Sight range: 45 degrees
Flash	High power electronic Xenon Flash or Infrared 24-lamp LED array. Range: 30 ft.
PIR Sensor	Low noise, high sensitivity passive infrared sensor. Range: 45 ft
Motion LED Indicator	Yes
Display	Backlit LCD, 2 rows x 8 characters. Auto-off: 3 min. 2-digit event and image display.
File Format	Still image JPG (3.0 or 5.0 megapixels). Movie images AVI 320x 240 pixels per frame. DCF version. 1.0 file management.
Exposure	Auto
White Balance	Auto
Power Supply	4 x "D" cell batteries. Low battery indicator at 25% remaining power.
Battery Life	Approximately 30 days (dependant on temperature, camera activity and flash usage)
User Password	Yes, available range: 0000 to 9999
Other (119935/119905 only)	Laser pointer, IR LED array for night vision infrared imaging



## 119833



## Infrared 119935/119905



# Parts Guide



## Switch and Setup Description

### 119833 Control Panel



K1 K2 K3 K4

Switch #/Function	Switch Position/Setting		
	UP	CENTER	DOWN
K1 (Operating Mode)	On	Setup	Off
K2 (Image Mode)	Still	-	Movie
K3 (Day/Night Mode)	24 Hour	Day (Default = 6AM-6PM*)	Night (Default = 6PM-6AM*)
K4 (Camera Delay)	2 minutes	1 minute	30 seconds

### 119935/119905 Control Panel



K1 K2 K3 K4 K5

Switch #/Function	Switch Position/Setting		
	UP	CENTER	DOWN
K1 (Operating Mode)	On	Setup	Off
K2 (Image Mode)	Still	-	Movie
K3 (Flash Mode)	LED	-	Standard**
K4 (Day/Night Mode)	24 Hour	Day (Default = 6AM-6PM*)	Night (Default = 6PM-6AM*)
K5 (Camera Delay)	2 minutes	1 minute	30 seconds

8 \* see "Set Day Time" in Setup Guide re changing default times \*\* may be labeled "Incand" on some units



## SETUP GUIDE

**NOTE (Models 119935/119905 Only): THE LASER POINTER IS ACTIVATED IN THE SET- UP MODE. DO NOT PERMIT THE LASER POINTER TO BE DIRECTED TOWARD ANYONE'S EYES TO AVOID POTENTIAL EYE INJURY.**

**Before beginning the setup, insert 4 “D” size alkaline batteries as indicated inside the battery compartment.**

### 1. K1 - Mode Switch (OFF / SETUP/ ON) :

- a) **Power ON (UP position):** Set K1 to ON position, The LCD display will show “BUSHNELL” for about 2 seconds.

EVENT nn  
IMAGE nn

The LCD will rotate through the DATE\TIME\EVENT&IMAGE displays when pressing the Up and Down keys.

- b) **SETUP Mode [move switch K1 from UP (ON) position to center position]:**  
Press Up or Down buttons to scroll through choices of DATE, TIME, NAME and PASSWORD to modify or set these functions. Refer to the next two pages for more details.
- c) **Power OFF:** Set K1 to “Off”, the Trail Scout will be OFF.

***For mounting directions, please refer to the manual section titled “Using The Trail Scout” .***



## Setup Guide (cont.)

- (1) **SET DATE:** When the LCD shows the date, press the ENTER key to modify the date.

Set Date

09/18/04

Press Up or Down button to select 1-12 then press the ENTER button to confirm the two digit month. The cursor will then move to the day.

Press Up or Down button to select 1-31 then press ENTER to confirm the two digit day. Then the cursor will move to the year.

Press Up or Down button to select 0-99, then press ENTER to confirm the two digit year. From Set Date, press the Down button to set the time.

*Note: See "Other Setup Notes" for details on the moon phase stamp feature, which is linked to the date you set here.*

- (2) **SET TIME:** When the LCD shows the time, press the ENTER key to modify the time.

Set Time

06: 30 PM

Press Up or Down button to select 1-12, then press ENTER to confirm the two digit hour. Then the cursor will move to the minute.

Press Up or Down button to select 0-59, then press ENTER to confirm the two digit minute. From SET TIME, press the Down button to set the name.

- (3) **SET NAME:** When the LCD shows current name, press ENTER key to modify the

MY NAME

555\_1234

name display. Press Up or Down button to select one character from "A" to "Z", "0" to "9", "\_", then Press ENTER to confirm, the cursor will move to next character.

There are 2 lines of 8 characters each for your use. From Set Name, press the Down button to change the password.

- (4) **SET PASSWORD:**

Password

Set

When the LCD shows [Password Set], press the ENTER key to set the password.

#### (4) SET PASSWORD (cont.):

Setup Guide (cont.)

Password  
Yes

The LCD will show [Password Yes]. To change the password, press Enter.

If you do not want to set a password, you can press the Up or Down key to select NO.

New Pswd  
0 0 0 0

If you selected YES, the LCD shows [New Pswd]. Press the Up or Down key to select the first password digit of 0-9. Press ENTER to confirm, the cursor will move to the next digit to the right. Repeat the process using UP, Down and Enter keys to enter your four digit password. Press ENTER to confirm.

Password  
None

If you do not want to set a password when the LCD shows (PW YES) , you can press the U/D button to select No, After pressing the ENTER, the LCD display shows (PW NO), and no password will be set.

When you are finished with SETUP, change K1 to the ON (UP) position and the unit will be operating after a 2 minute delay.

#### (5) SET DAY TIME: (Note: This setting determines the time period when photos are taken in both DAY and NIGHT only modes, and auto switches an infrared filter-see #4 under "Other Setup Notes")

Day Time  
07 -- 18

When the LCD shows (Day Time), press ENTER key to set the DAY TIME range. The LCD will show and underscore under the first 2 digits in the DAY TIME mode. Press the up or down keys to set time of 24 hour clock for the specific DAY TIME start hour desired. Press ENTER to set the DAY TIME start time.

Then, underscore will move to the second 2 digits in the DAY TIME mode. Press the up or down keys to set time of 24 hour clock for the specific DAY TIME end hour desired. Press ENTER to set the DAY TIME end time.

Now your DAY TIME is defined (NIGHT is defined as the period between DAY end and start times). If you do not make your own settings for DAY, a default of 6AM~6PM is used.

Example: 07—18 would define DAY as from 7AM to 6PM (6PM=18:00 hours on 24 hr clock). 11



## Setup Guide (cont.)

### 2. K2 – Image Mode Switch (STILL / MOVIE):

Set K2 to either of these settings:

(UP) **STILL Photo Mode:** Image resolution is 3.0MP (119833), or 5.0MP (119935/119905) and photos are stored in JPG format.

(DOWN) **MOVIE Mode:** The camera can record a 15 second movie, the file format is AVI (with audio on models 119935/119905).

**NOTE:** On model# 119833, the combination of *NIGHT mode and MOVIE mode* will result in dark videos, as the *xenon flash does not function in MOVIE mode*. With models 119935/119905, you may use *NIGHT and MOVIE modes together by setting switch K3 (Lighting mode) to the LED position (the standard xenon flash does not function in MOVIE mode)*.

*(Models 119935/119905 only)*

*Note: see #4 in “Other Setup Notes” for additional information.*

### 3. K3 - Flash Mode Switch (LED / Standard):

The Game camera has two modes that select which flash type will fire under dark conditions:

#### (a) LED Mode (Infrared LED lamp array):

The IR-LED (infrared) light is invisible to the naked eye, but will provide illumination for the camera, use it when you do not want to alert the subject at night. This mode can also be used for nighttime movie capture. During the time defined as “Night”, an infrared blocking filter is automatically deactivated, so that the IR light generated by the LEDs can create an image. During the “Day”, the infrared blocking filter is re-activated; therefore, you should use the “Standard” or xenon flash position for best results when the camera is set to “Day only” time mode.

(b) **STD (Standard) Mode:** (Xenon flash tube) **Note: this switch position may be labeled “Incand” rather than “STD” on some early production units.**

You can use Standard mode for twilight/cloudy conditions, or to take color still pictures at night. If you want to use the MOVIE mode, you can not use Standard flash mode—you must set K3 to LED.





## Setup Guide (cont.)

### 4. K3 (Model 119833) – (24Hr / DAY/ NIGHT) MODE:

#### K4 (Model 119935/119905)– (24Hr / DAY / NIGHT) MODE:

The Trail Scout has three operating period modes:

(a) **24Hr:** The Trail camera is operational both day and night. When the PIR (Passive Infra Red sensor) senses a subject, the camera will take a photo and record an EVENT.

(b) **DAY:** The Trail camera only takes photos during the Daytime (user defined Day start~end period or default 6am~6pm). When the PIR senses a subject, the unit will take an image and record an EVENT. If the PIR is triggered between the Day end and Day start times, only an EVENT is recorded-an image is not taken.

(c) **NIGHT:** The Trail camera only takes photos during the Night (from user set Day end to Day start, or default 6pm~6am). When the PIR senses a subject the unit will take image and record an EVENT. If the PIR is triggered during “Day” time, only an EVENT is recorded, an image is not taken.

### 5. K4 (Model 119833)– (30s/1Min/2Min) CAMERA DELAY MODE

#### K5 (Model 119935/119905) – (30s/1Min/2Min) CAMERA DELAY MODE:

There are three modes for taking delayed pictures: 30 Sec, 1 Min and 2 Min.

The unit will record EVENTS while CAMERA is in DELAY MODE each time the PIR senses motion.

- (a) 30s: After the first picture, a second picture will be taken 30 seconds later.
- (b) 1Min: After the first picture, a second picture will be taken 1 minute later.
- (c) 2Min: After the first picture, a second picture will be taken 2 minutes later.





## GLOSSARY

**PIR**—Passive Infrared Sensor. Senses motion like typical security motion detector. Requires infrared energy (heat) in addition to motion to trip sensor to assure detection of live animals.

**Event**—Any time that the PIR senses motion it counts it as an event. Events are recorded to the SD card in a text file. Events are recorded continuously during operation.

**Image**—A digital picture recorded on the SD Card when motion is sensed. Images are taken at the desired delay between images.

**Image Delay**—Time elapsed between photos while events are sensed and recorded. This is user-set based on wildlife activity in area.

**IR Flash**—IR LED Array—Infrared LED Night Vision feature. Emits a burst of infrared light which is invisible to the human eye. Especially useful for night photos when a visible flash is undesirable. (Featured on Models 119935/119905 only)

**Std (Standard) Flash**—Xenon flash tube used for low light or night photography. Automatically fires if necessary due to dark, overcast skies or waning light late in the day.

**SD Card**—Memory card used to store images and events. Compatible with up to 1GB capacity SD card (all new Trail Scouts include a 128MB card).

**Battery Life**—Time that camera will function in the field. Dependent on temperature, number of images and number of flashes during that time.

**Setup**—Using the display menu and buttons to set the date/time, still photo or movies, and password.

**Security**—One of the most important requirements of any trail camera. The Trail Scouts have 4 security features—padlock tab, tree bracket, cable lock, and software password.

**Trigger Speed**—Time delay between a subject passing in front of PIR sensor and the image capture of that subject.

14

All Bushnell Trail Cameras have a trigger speed of less than one second.





## OTHER SETUP NOTES

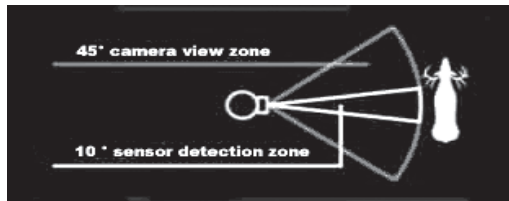
### 1. SD CARD SLOT

The unit has a standard SD Card slot. You must push the SD Card in with the SD Card label facing the Bushnell logo into the SD card slot. Pushing it again will release the SD card, and then you can remove the SD card from the SD card slot. Insertion or removal of SD card is only recommended when the unit is in the “OFF” position.

### 2. PIR SENSOR

The sensor that triggers the trail camera is Passive InfraRed, or PIR. Infrared energy is essentially heat energy. The PIR detector operates by sensing a change in the infrared level in its detection zone. This zone is a cone in the center 10 degrees of the camera's field of view. The camera establishes an average long-term infrared level. When this level increased suddenly the PIR detector signals the camera to record a picture and/or an event. Because of this effect, the PIR detector will be more sensitive at night, when the average temperature is lower.

In the Setup mode, you can use PIR sensor to determine the detection zone. When the PIR is sensed, the PIR Sense Indicator will light. The camera's field of view is a 45 degree cone, centered on the PIR detection zone.





## Other Setup Notes (cont.)

### 3. LASER POINTER (Models 119935/119905 Only)

The 119935/119905 Trail Scout camera has a Laser pointer. When you mount the unit on a tree or any other fixed surface and cannot sight from behind the Game Camera, you can use the Laser Pointer to align the unit.

**NOTE: LASER LIGHT IS POTENTIALLY DANGEROUS TO THE EYES.  
THE LASER POINTER IS ACTIVATED IN THE SET-UP MODE.  
DO NOT PERMIT THE LASER POINTER TO BE DIRECTED  
TOWARD ANYONE'S EYES TO AVOID POTENTIAL EYE INJURY.**



### 4. AUTO DAY/NIGHT IR FILTER SWITCH (Models 119935/119905 Only)

The Model 119935/119905 Trail Scout camera has an automatic function which activates a filter in the camera's lens system during the time period you define as "Day" (see "Set Day Time" in the Setup Guide). The purpose of this filter is to block infrared light, so that photos taken by daylight or with the standard (xenon) flash tube (in heavy shade or late in the day) will have a normal appearance. This infrared filter is found in virtually all digital cameras, as their image sensors are sensitive to infrared light as well as visible light wavelengths. However, during the time period defined as "Night" (from Day end time to Day start time), the infrared blocking filter is automatically deactivated, or removed from the lens path. This allows the LED lamp array, which emits invisible infrared light, to be able to create an image on the camera's CMOS sensor when the IR light illuminates a subject in front of the lens. Because the infrared filter is activated during the Day time period, the combination of "DAY Only" operating mode and "LED" flash mode is not recommended, as the filter will prevent the infrared light from the LED from reaching the sensor, resulting in dark photos. The standard flash may be selected along with "NIGHT Only" mode, however, photos may be slightly pink or reddish in color due to the deactivated infrared filter. Refer to the following chart:



## Other Setup Notes (cont.)

Operating Mode	Flash Mode	Day Time Photo Results	Night Time Photo Results	Recommended Combination
Day Only	STD	Normal color & exposure	<i>Photos not taken</i>	YES
Night Only	LED	<i>Photos not taken</i>	Black & White, good exposure	YES
24 Hour	LED	Normal, may be dark during cloudy conditions or late hours	Black & White, good exposure	Good (Better night results, flash is undetected)
Day Only	LED	May be dark during cloudy conditions or late hours	<i>Photos not taken</i>	NO
Night Only	STD	<i>Photos not taken</i>	Slight pink or reddish color	OK to use
24 Hour	STD	Normal color & exposure	Slight pink or reddish color	Good (Better day results)



### 5. MOON PHASE STAMP

All new Trail Scout models have a “moon phase” stamp feature. This links the current date (as set by the user in the setup procedure) to the phase of the moon on that date (this data is stored on an internal memory chip), and imprints a icon on your photo which represents the moon phase when the photo was taken. The moon phase icon will appear on your photos in the lower left, next to your name and the Bushnell logo. Some hunters will find this to be a useful reference, as it can help determine if particular animals are inactive at night when a full or nearly full moon is present, causing them to be more visible to predators. Or, if some of your night photos seem to have a darker or lighter background (beyond the range of the LED lamps or flash), you can see if that was related to how bright the moon was at the time. The icons for the various phases of the moon are shown above.



## USING THE DIGITAL TRAIL SCOUT

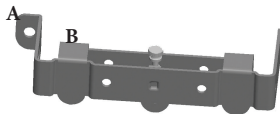
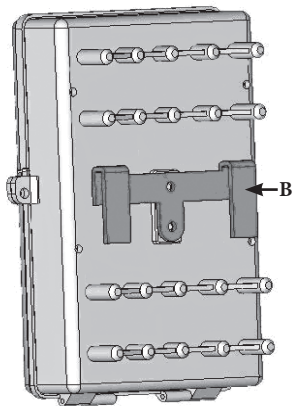
### 1. MOUNTING:

Mount the trail camera on the tree as shown below.

1. Screw bracket A to the tree.
2. Bolt bracket B on the back of the trail camera.
3. Match bracket B up to bracket A.
4. Then, hang bracket B over bracket A.
5. Finally, insert the padlock and lock when setup is completed.

For extra security, you can use the included cable to wrap around the tree also.

1. Insert the end with the large lug into bracket A.
2. Then, feed the other end of the cable around the tree and back through the bracket.
3. Tighten the adjustable locking bolt to hold the cable tightly in place (B).





## Using the Trail Scout (cont.)

### 2. Power ON and Setup switch summary:

Turn the knob 90° counterclockwise and open the front cover.  
 Set the K1 to ON position,  
 Input correct Password. Default password is “0000”.

(If the password is entered incorrectly 3 times, the unit will be powered off automatically. If you want to power ON again you must set K1 back to OFF and then set K1 to ON)

The LCD will display current IMAGE&EVENT counter.

You can press the Up or Down key to see the DATE, TIME, NAME.

If you want to modify DATE, TIME, NAME or password, set K1 to SETUP.

(See SETUP GUIDE for details)

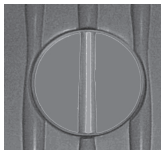
After finishing SETUP, set K1 back to ON position

The unit will delay 2 minutes before functioning to allow you to clear out of your area.

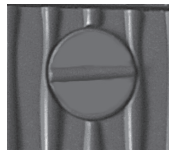
The functions of K2, K3, and K4 can be set in the SETUP or ON Mode.

After finishing SETUP, close the front cover and turn the knob to 90° clockwise.

Finally, secure the Trail Scout with a padlock.



Turn the knob 90°  
counterclockwise to open



Turn the knob 90°  
clockwise to close



## TWO-YEAR LIMITED WARRANTY

Your Bushnell® product is warranted to be free of defects in materials and workmanship for two years after the date of purchase. In the event of a defect under this warranty, we will, at our option, repair or replace the product, provided that you return the product postage prepaid. This warranty does not cover damages caused by misuse, improper handling, installation, or maintenance provided by someone other than a Bushnell Authorized Service Department.

Any return made under this warranty must be accompanied by the items listed below:

- 1) A check/money order in the amount of \$10.00 to cover the cost of postage and handling
- 2) Name and address for product return
- 3) An explanation of the defect
- 4) Proof of Date Purchased
- 5) Product should be well packed in a sturdy outside shipping carton, to prevent damage in transit, with return postage prepaid to the address listed below:

### IN U.S.A. Send To:

Bushnell Performance Optics  
Attn.: Repairs  
8500 Marshall Drive  
Lenexa, Kansas 66214

### IN CANADA Send To:

Bushnell Performance Optics  
Attn.: Repairs  
25A East Pearce Street, Unit 1  
Richmond Hill, Ontario L4B 2M9

For products purchased outside the United States or Canada please contact your local dealer for applicable warranty information. In Europe you may also contact Bushnell at:

BUSHNELL Performance Optics GmbH  
European Service Centre  
MORSESTRASSE 4  
D- 50769 KÖLN  
GERMANY  
Tél: +49 (0) 221 709 939 3  
Fax: +49 (0) 221 709 939 8

This warranty gives you specific legal rights.  
You may have other rights which vary from country to country.

©2007 Bushnell Outdoor Products

## FCC Note:

This equipment has been tested and found to comply with the limits for a Class B digital device, pursuant to Part 15 of the FCC Rules. These limits are designed to provide reasonable protection against harmful interference in a residential installation. This equipment generates, uses and can radiate radio frequency energy and, if not installed and used in accordance with the instructions, may cause harmful interference to radio communications. However, there is no guarantee that interference will not occur in a particular installation. If this equipment does cause harmful interference to radio or television reception, which can be determined by turning the equipment off and on, the user is encouraged to try to correct the interference by one or more of the following measures:

- Reorient or relocate the receiving antenna.
- Increase the separation between the equipment and receiver.
- Connect the equipment into an outlet on a circuit different from that to which the receiver is connected.
- Consult the dealer or an experienced radio/TV technician for help.

Shielded interface cable must be used with the equipment in order to comply with the limits for a digital device pursuant to Subpart B of Part 15 of FCC Rules.

Specifications and designs are subject to change without any notice or obligation on the part of the manufacturer.





**LASER APERTURE**

**LASER ON IN SET UP MODE**

**LASER RADIATION**  
AVOID DIRECT EYE EXPOSURE  
CLASS 3R LASER PRODUCT  
MAX. OUTPUT 5mW, 650nm  
BS EN 60825-1:2001

**LASER POINTER ACTIVE IN SET UP MODE FOR AIMING OF TRAIL CAMERA.**

**WARNING!  
AVOID HAZARDOUS LASER RADIATION!**



**FR****Participons à la protection de l'environnement !**

- ① Votre appareil contient de nombreux matériaux valorisables ou recyclables.
- ➔ Confiez celui-ci dans un point de collecte ou à défaut dans un centre service agréé pour que son traitement soit effectué.

**UK  
IE****Environment protection first !**

- ① Your appliance contains valuable materials which can be recovered or recycled.
- ➔ Leave it at a local civic waste collection point.

**DE  
AT****Schützen Sie die Umwelt!**

- ① Ihr Gerät enthält mehrere unterschiedliche, wiederverwertbare Wertstoffe.
- ➔ Bitte geben Sie Ihr Gerät zum Entsorgen nicht in den Hausmüll, sondern bringen Sie es zu einer speziellen Entsorgungsstelle für Elektrokleingeräte (Wertstoffhof).

**BE****Participons à la protection de l'environnement !**

- ① Votre appareil contient de nombreux matériaux valorisables ou recyclables.
- ➔ Confiez celui-ci dans un point de collecte ou à défaut dans un centre service agréé pour que son traitement soit effectué.

**Samen het milieu beschermen !**

- ① Uw toestel bevat meerdere recycleerbare materialen
- ➔ Breng deze naar een containerpark of naar een erkend service center, bevoegd voor de recycling.

**DK****Vi skal alle være med til at beskytte miljøet!**

- ① Apparatet indeholder mange materialer, der kan genvindes eller genbruges.
- ➔ Bring det til et specialiseret indsamlingssted for genbrug eller et autoriseret serviceværksted, når det ikke skal bruges mere.

**ES****¡ ¡ Participe en la conservación del medio ambiente ! !**

- ① Su electrodoméstico contiene materiales recuperables y/o reciclables.
- ➔ Entréguelo al final de su vida útil, en un Centro de Recogida Específico o en uno de nuestros Servicios Oficiales Post Venta donde será tratado de forma adecuada

**FI****Huolehtikaamme ympäristöstä!**

- ① Laitteesi on varustettu monilla arvokkailla ja kierrätettävillä materiaaleilla.
- ➔ Toimita laitteesi keräyspisteeseen tai sellaisen puuttuessa vaikka valtuutettuun huoltokeskukseen, jotta laitteen osat varmasti kierrätetään.

**GR****Ας συμβάλουμε κι εμείς στην προστασία του περιβάλλοντος!**

- ① Η συσκευή σας περιέχει πολλά αξιοποιήσιμα ή ανακυκλώσιμα υλικά.
- ➔ Παραδώστε τη παλιά συσκευή σας σε κέντρο διαλογής ή ελεήσει τέτοιου κέντρου σε εξουσιοδοτημένο κέντρο σέρβις το οποίο θα αναλάβει την επεξεργασία της.

**PR****Proteção ao meio ambiente em primeiro lugar!**

- ① Seu aparelho inclui materiais valiosos, que podem ser reciclados ou recuperados.
- ➔ Deixe-o em um ponto de coleta de resíduos local.





## SUPPLEMENTAL OPERATING NOTES

- The LCD showing “ENTER SUSPEND” means the system is going to suspend activity (sleep mode to conserve battery power).
- After setting K1 to ON, the system will begin working after a two minute delay. If there is no activity sensed in three minutes, the system will go to SUSPEND. When the PIR senses activity, the camera will be activated immediately.
- The LCD showing “RESUME” means the system is active.
- Changing batteries within 20 seconds will avoid the need to reset the date and time.



## Français

Nous vous félicitons pour l'achat de votre appareil photo numérique Bushnell® Digital Trail Scout™ ! Robuste et l'épreuve des intempéries, cet appareil photo est conçu pour enregistrer l'activité du gibier dans la nature, en mode photo ou vidéo. Ce manuel d'instructions offre une présentation détaillée du fonctionnement de l'appareil.

### **Caractéristiques du Bushnell Digital Trail Scout (tous modèles)**

Le Bushnell Digital Trail Scout représente l'un des progrès les plus révolutionnaires à ce jour en matière de technologie de dépistage. Offrant l'une des interfaces les plus conviviales de l'industrie, cet appareil photo comporte un ensemble de commutateurs à bascule permettant de connaître instantanément les paramètres de l'appareil sans s'embarasser d'une interface logicielle déroutante ! Le dispositif de sécurité intégré comporte quatre niveaux. L'appareil Trail Scout est fourni avec un cadenas, un câble antivol, un support pour vissage sur un arbre et un mot de passe logiciel pour interdire l'accès à des intrus éventuels. Cet appareil photo de haute résolution produit des images de grande netteté du gibier et marque chaque prise de vue de la date, l'heure, le nom de l'utilisateur et même la phase de la lune. En plus du mode photo normal, il propose un mode vidéo enregistrant des séquences de 15 secondes (avec son pour les modèles 119935/119905). L'appareil s'utilise de jour, de nuit ou sur 24 heures et détecte le gibier jusqu'à 15 mètres. Le flash (standard) au xénon surpuissant a une portée de 10 mètres. Le délai entre images peut être réglé sur 30 secondes, 1 minute et 2 minutes. L'écran à cristaux liquides rétroéclairé innovant facilite grandement la configuration sur le terrain. Le Trail Scout est robuste et à l'épreuve des intempéries.





### 119833—Digital Trail Scout 3,0 MP

Des photos et une technologie de dépistage de qualité à petit prix. Cet appareil détecte le gibier jusqu'à 15 mètres de distance grâce à son capteur passif à infrarouge. L'indicateur de décharge des piles s'allume lorsque la charge des piles passe en dessous de 25%. Le voyant de mouvement s'allume lorsqu'une activité est détectée par le capteur en mode d'imagerie normal et durant le mode de configuration pour la visée. À l'épreuve des intempéries. Fonction de marquage de Date/Heure/Phase de la lune. Fourni avec un câble de sécurité en aluminium de qualité aviation, un cadenas et un support pour arbre. Surface à texture « écorce » pour optimiser la dissimulation.

### 119935/119905 (Camouflage RealTree AP®)—Digital Trail Scout 5,0 MP à vision nocturne

Offrant toutes les caractéristiques du Trail Scout 3,0 MP, plus la vision nocturne et d'autres fonctions, c'est l'appareil de dépistage haut de gamme. Les photos sont prises à une résolution de 5 mégapixels (via traitement logiciel) et les séquences vidéo comportent le son capté par un micro intégré. L'appareil offre le choix entre le flash photo normal ou le flash à LED de type furtif. Le flash à LED permet des prises de vue discrètes du gibier la nuit sans l'emploi d'un flash visible. Plus besoin de s'inquiéter d'être trahi par le flash dans les domaines de chasse populaires et très fréquentés. Et il n'est pas nécessaire de régler manuellement un commutateur de filtre infrarouge pour la prise de vue de jour ou de nuit, cela se fait automatiquement. Cet appareil comporte même une fonction de visée laser pour faciliter la mise en place dans la forêt.

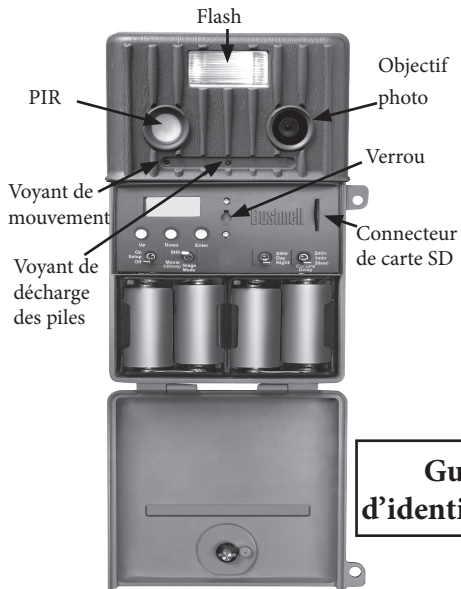


## DIGITAL TRAIL SCOUT - DONNÉES TECHNIQUES

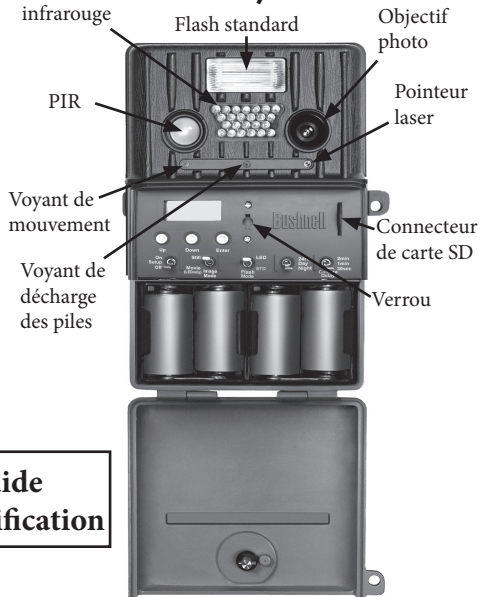
Capteur d'image	CMOS 1/2", 3,0 millions de pixels (résolution de 5 MP sur les modèles 119935/119905 via traitement logiciel)
Objectif	F/3.5, distance focale effective 42 mm. Angle de champ : 45 degrés
Flash	Flash xénon électronique haute puissance ou réseau de 24 LED infrarouges. Portée : 10 m
Détecteur PIR	Capteur passif à infrarouge de haute sensibilité et faible bruit. Portée : 15 m
Voyant de mouvement	Oui
Affichage	Cristaux liquides rétroéclairé, 2 rangées de 8 caractères. Arrêt auto : 3 min. Indication d'événement et d'image à 2 chiffres.
Format de fichier	Photos JPG (3,0 ou 5,0 mégapixels). Vidéos AVI 320 x 240 pixels par image. Gestion de fichiers DCF version 1.0.
Temps de pose	Automatique
Balance des blancs	Automatique
Alimentation électrique	4 piles « D ». Indicateur de décharge des piles à 25% de charge restante.
Autonomie des piles	30 jours environ (en fonction de la température, de l'activité de l'appareil et de l'utilisation du flash)
Mot de passe utilisateur	Oui, intervalle disponible : 0000 à 9999
Autre (119935/119905 uniquement)	Pointeur laser, réseau LED IR pour la prise de vue infrarouge en vision nocturne



## 119833



## Réseau LED 119935/119905



### Guide d'identification



## Description des commutateurs et de la configuration

### 119833 Tableau de commande



K1 K2 K3 K4

### 119935/119905

### Tableau de commande



K1 K2 K3 K4 K5

\*voir les changements d'heures de défaut sous « Définir le jour » dans le Guide de configuration 28

119833	Position de commutateur / Réglage		
N° commut./ Fonction	HAUT	CENTRE	BAS
K1 (Mode d'exploitation)	Marche	Configura- tion	Arrêt
K2 (Mode image)	Photo	-	Vidéo
K3 (Mode jour/nuit)	24 heures	Jour (défaut = 6h00- 18h00*)	Nuit (défaut = 18h00- 6h00*)
K4 (Délai entre images)	2 minutes	1 minute	30 seconds

119935/119905	Position de commutateur / Réglage		
N° commut./ Fonction	HAUT	CENTRE	BAS
K1 (Mode d'exploitation)	On	Configura- tion	Arrêt
K2 (Mode image)	Photo	-	Vidéo
K3 (Mode flash)	LED	-	Standard**
K4 (Mode jour/nuit)	24 heures	Jour (défaut = 6h00- 18h00*)	Nuit (défaut = 18h00- 6h00*)
K5 (Délai entre images)	2 minutes	1 minute	30 secondes

\*\* peut être marqué « Incand » sur certains modèles

*REMARQUE (modèles 119935/119905 uniquement) : LE POINTEUR LASER EST ACTIVÉ EN MODE DE CONFIGURATION. POUR ÉCARTER LE RISQUE DE LÉSION OCULAIRE, NE PAS DIRIGER LE POINTEUR LASER VERS LES YEUX D'UNE PERSONNE*

Avant de débiter la configuration, placer 4 piles alcalines de taille D comme indiqué à l'intérieur du compartiment de piles.

### 1. K1 - Commutateur de mode (OFF / SETUP / ON) :

a) **Marche (ON, position haute)** : Placer K1 en position ON, l'écran à cristaux liquides affiche « BUSHNELL » pendant 2 secondes environ.



EVENT nn
IMAGE nn

Les boutons Up et Down permettent de faire défiler successivement les affichages DATE, TIME (heure), EVENT (événement) et IMAGE.



b) **Mode Configuration [passer le commutateur K1 de la position haute (ON) à centrale (SETUP)]**: Appuyer sur les boutons Up ou Down pour faire défiler les paramètres DATE, TIME (heure), NAME (nom) et PASSWORD (mot de passe) afin de les modifier ou les régler. Voir les instructions aux deux pages suivantes.

c) **ARRÊT** : Placer K1 sur OFF, le Trail Scout s'éteint.

*Les instructions de pose figurent dans la section « Utiliser le Trail Scout » du manuel.*

## GUIDE DE CONFIGURATION (cont.)

(1) **RÉGLER LA DATE** : Lorsque l'écran affiche la date, appuyer sur le bouton ENTER pour la modifier. Appuyer sur les boutons Up ou Down pour sélectionner les deux chiffres du mois de 1 à 12 puis appuyer sur ENTER pour valider. Le curseur passe alors au jour. Appuyer sur Up ou Down pour sélectionner les deux chiffres du jour de 1 à 31 puis appuyer sur ENTER pour valider. Le curseur passe ensuite à l'année. Appuyer sur Up ou Down pour sélectionner les deux chiffres de l'année de 0 à 99 puis appuyer sur ENTER pour valider. Depuis le réglage de la date, appuyer sur le bouton Down pour régler l'heure.

Set Date  
09/18/04

*Remarque : Voir les détails de la fonction de marquage de phase de la lune, qui est liée à la date réglée ici, sous « Autres notes sur la configuration ».*

(2) **RÉGLER L'HEURE**: Lorsque l'écran affiche l'heure, appuyer sur le bouton ENTER pour la modifier. Appuyer sur Up ou Down pour sélectionner les deux chiffres des heures de 1 à 12 puis appuyer sur ENTER pour valider. Le curseur passe ensuite aux minutes. Appuyer sur Up ou Down pour sélectionner les deux chiffres des minutes de 0 à 59 puis appuyer sur ENTER pour valider. Depuis le réglage de l'heure, appuyer sur le bouton Down pour entrer le nom.

Set Time  
06: 30 PM

(3) **ENTRER LE NOM**: Lorsque l'écran affiche le nom d'utilisateur, appuyer sur le bouton ENTER pour le modifier. Appuyer sur Up ou Down pour sélectionner un caractère de « A » à « Z », « 0 » à « 9 » ou « \_ », puis appuyer sur ENTER pour confirmer. Le curseur passe au caractère suivant. L'écran comporte 2 lignes de 8 caractères chacune. Depuis la saisie du nom, appuyer sur le bouton Down pour changer le mot de passe.

MON NOM  
555\_1234

(4) **ENTRER LE MOT DE PASSE**:

Password  
Set

Lorsque l'écran affiche [Password Set], appuyer sur ENTER pour saisir le mot de passe.



#### (4) ENTRER LE MOT DE PASSE (cont.):

#### GUIDE DE CONFIGURATION (cont.)

Password  
Yes

L'écran affiche [Password Yes]. Pour changer le mot de passe, appuyer sur Enter. Pour ne pas utiliser de mot de passe, appuyer Up ou Down pour sélectionner NO. Si YES est sélectionné, l'écran affiche [New Pswd] (nouveau mot de passe). Appuyer sur Up ou Down pour sélectionner le premier chiffre du mot de passe de 0 à 9. Appuyer sur ENTER pour confirmer, le curseur passe alors au chiffre suivant à droite. Répéter la procédure en utilisant les boutons Up, Down et Enter pour entrer les quatre chiffres du mot de passe. Appuyer sur ENTER pour confirmer. Pour ne pas utiliser de mot de passe alors que l'écran affiche [Password Yes], appuyer sur Up/Down pour sélectionner No, puis sur ENTER. L'écran affiche [Password None] et le mot de passe est désactivé. Une fois la configuration terminée, ramener K1 en position ON (HAUTE) et l'appareil est opérationnel au bout d'un délai de 2 minutes.

New Pswd  
0 0 0 0

Password  
None

(5) DÉFINIR LE JOUR : (Remarque : Ce réglage détermine la période pendant laquelle les photos sont prises dans les modes JOUR et NUIT uniquement et le filtre infrarouge s'active automatiquement. Voir n°4 sous « Autres notes sur la configuration »)

Day Time  
07 -- 18

Lorsque l'écran affiche [Day Time], appuyer sur ENTER pour régler l'intervalle d'heures de JOUR. L'écran souligne les deux premiers chiffres de cet intervalle. Appuyer sur Up ou Down pour régler l'heure de début de période de JOUR souhaitée. Appuyer sur ENTER pour valider l'heure de début du JOUR. Les deux chiffres suivants du mode Day Time sont alors soulignés. Appuyer sur Up ou Down pour régler l'heure de fin de période de JOUR souhaitée. Appuyer sur ENTER pour valider l'heure de fin du JOUR. Ceci définit la période de JOUR (la NUIT est définie comme étant la période entre les heures de fin et de début du JOUR). Si les heures de JOUR ne sont pas définies, le réglage par défaut est 6h00 - 18h00.

*Exemple : 07—18 définit le JOUR comme étant de 7h00 à 18h00 (ou 6 AM à 6 PM avec l'horloge sur 12 heures).*





## GUIDE DE CONFIGURATION (cont.)

### 2. K2 – Commutateur de mode d'image (STILL / MOVIE) :

Placer K2 dans l'une des positions suivantes :

**STILL (HAUT) - Mode Photo** : La résolution des images est de 3,0 MP (119833) ou 5,0 MP (119935/119905) et les photos sont enregistrées au format JPG.

**MOVIE (BAS) Mode Vidéo** : L'appareil peut enregistrer une séquence vidéo de 15 secondes au format de fichier AVI (avec audio sur les modèles 119935/119905).

*REMARQUE : Avec le modèle 19833, la combinaison des modes NIGHT (nuit) et MOVIE (vidéo) produit des prises de vue sombre car le flash au xénon ne fonctionne pas en mode MOVIE. Avec les modèles 119935 et 119905, les modes NIGHT et MOVIE peuvent être utilisés ensemble en plaçant le commutateur K3 (mode de flash) en position LED (le flash au xénon standard ne fonctionne pas en mode MOVIE).*

*(Modèles 119935 et 119905 uniquement)*

*Remarque : voir les renseignements supplémentaires au n°4 sous « Autres notes sur la configuration ».*

### 3. K3 - Commutateur de mode de flash (LED / Standard):

Le modèle d'appareil Game comporte un choix de deux modes de flash pouvant être utilisés dans la pénombre :  
**(a) Mode LED (réseau de lampes LED infrarouges)**: La lumière IR (infrarouge) des LED est invisible à l'œil nu mais fournit un éclairage pour l'appareil photo, sans alerter le sujet la nuit. Ce mode peut également être utilisé pour la prise de séquences vidéo la nuit. Durant la période définie comme étant la « nuit », le filtre de blocage infrarouge est automatiquement désactivé afin que la lumière IR produit par les LED puisse créer une image. Durant le « jour », le filtre de blocage infrarouge est réactivé ; par conséquent, il convient d'utiliser le mode de flash « Standard » (xénon) lorsque l'appareil est réglé sur le mode « Day » (jour seulement).

**(b) Mode STD (Standard) (flash au xénon)**: *Remarque : Sur certains modèles produits initialement, cette position est marquée « Incand » et non « STD ».* Le mode Standard s'utilise dans des conditions crépusculaires ou nuageuses ou pour prendre des photos couleur de nuit. Le mode de flash Standard n'est pas utilisable en mode Vidéo (MOVIE) — K3 doit être réglé sur LED.

32



**4. K3 (modèle 119833) – Période d'utilisation (24Hr / DAY / NIGHT) :**

**K4 (modèle 119935/119905) – Période d'utilisation (24Hr / DAY / NIGHT) :**

Le Trail Scout comporte trois modes de période d'utilisation :

(a) **24Hr** : L'appareil fonctionne à la fois le jour et la nuit. Lorsque que le capteur PIR (passif à infrarouge) détecte un sujet, l'appareil prend une photo et enregistre un ÉVÉNEMENT.

(b) **DAY** : L'appareil prend des photos uniquement durant le jour (période de début-fin définie par l'utilisateur ou 6h00-18h00 par défaut). Lorsque que le capteur PIR détecte un sujet, l'appareil prend une photo et enregistre un ÉVÉNEMENT. Si le capteur PIR est déclenché entre les heures de fin et de début du « jour », un ÉVÉNEMENT est enregistré mais aucune photo n'est prise.

(c) **NIGHT** : L'appareil prend des photos uniquement durant la nuit (de la fin du jour au début du jour définis par l'utilisateur ou de 18h00-6h00 par défaut). Lorsque que le capteur PIR détecte un sujet, l'appareil prend une photo et enregistre un ÉVÉNEMENT. Si le capteur PIR est déclenché durant les heures de « jour », un ÉVÉNEMENT est enregistré mais aucune photo n'est prise.

**5. K4 (modèle 119833) – Délai entre images (30 s / 1 min / 2 min) :**

**K5 (modèle 119935/119905) – Délai entre images (30 s / 1 min / 2 min) :**

L'appareil comporte trois modes de délai entre prises de vue : 30 s, 1 min et 2 min.

Lorsque l'appareil est en mode de délai, il enregistre un ÉVÉNEMENT chaque fois que le capteur PIR détecte un mouvement.

(a) 30 s : Après la première photo, une seconde photo est prise 30 secondes plus tard.

(b) 1 min : Après la première photo, une seconde photo est prise 1 minute plus tard.

(c) 2 min : Après la première photo, une seconde photo est prise 2 minutes plus tard.



## GLOSSAIRE

**PIR** — Capteur passif à infrarouge. Détecte les mouvements à la manière d'un détecteur de mouvement de sécurité typique. Pour assurer la détection de gibier, il se déclenche en présence simultanée d'énergie infrarouge (chaleur) et de mouvement.

**Événement** — Détection d'un mouvement par le capteur PIR. Les événements sont consignés dans un fichier texte sur la carte SD. Les événements sont enregistrés en continu durant la marche.

**Prise de vue** — Image numérique enregistrée sur la carte SD lorsqu'un mouvement est détecté. Les prises de vue sont effectuées suivant le délai entre prises de vue souhaité.

**Délai entre prises de vue** — Durée écoulée entre photos alors que des événements sont détectés et enregistrés. Réglable par l'utilisateur en fonction de l'activité du gibier.

**Flash IR** — Réseau LED IR — Fonction de vision nocturne par LED infrarouges. Émet un éclat de lumière infrarouge invisible à l'œil humain. Particulièrement utile pour les photos de nuit lorsqu'un flash visible est indésirable (sur les modèles 119935/119905 uniquement).

**Flash Std (Standard)** — Flash à tube au xénon utilisé pour la photographie par faible éclairage ou de nuit. Se déclenche automatiquement selon les besoins par ciel sombre et couvert ou lorsque la lumière baisse en fin de journée.

**Carte SD** — Carte mémoire utilisée pour stocker les prises de vue et les événements. L'appareil accepte les cartes SD de capacité jusqu'à 1 Go (le Trail Scout neuf est fourni avec une carte 128 Mo).

**Autonomie des piles** — Durée pendant laquelle l'appareil fonctionnera sur le terrain. Dépend de la température, du nombre de prises de vue et du nombre de flashes effectués.

**Configuration** — Utilisation des menus de l'affichage et des boutons pour régler la date et l'heure, sélectionner le mode photo ou vidéo et définir le mot de passe.

**Sécurité** — L'une des principales exigences de tout appareil photo de dépistage. Le Trail Scout comporte 4 dispositifs de sécurité : patte pour cadenas, support pour arbre, câble antivol et mot de passe logiciel.

**Vitesse de déclenchement** — Retard entre le moment de passage d'un sujet devant un détecteur PIR et la prise de vue de ce sujet. Tous les appareils Trail de Bushnell ont une vitesse de déclenchement de moins d'une seconde.



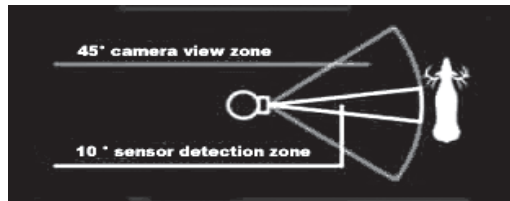
## 1. CONNECTEUR DE CARTE SD

L'appareil comporte un connecteur de carte SD standard. Enfoncer la carte SD dans le connecteur de carte avec l'étiquette du côté du logo Bushnell. Appuyer une nouvelle fois pour libérer la carte SD et l'extraire du connecteur de carte. Il est conseillé d'introduire et d'extraire la carte uniquement lorsque l'appareil est à l'arrêt (OFF).

## 2. DÉTECTEUR PIR

Le capteur qui déclenche l'appareil photo est de type passif à infrarouge, ou PIR. L'énergie infrarouge est essentiellement de l'énergie thermique. Le détecteur PIR capte toute variation de niveau infrarouge dans sa zone de détection. Cette zone est un cône de 10 degrés au centre du champ de vision de l'appareil. L'appareil calcule le niveau infrarouge moyen sur une longue durée. Lorsque ce niveau augmente brusquement, le détecteur PIR commande à l'appareil d'enregistrer une prise de vue et/ou un événement. Pour cette raison, le détecteur PIR est plus sensible la nuit, lorsque la température est plus basse.

En mode de configuration (Setup), le capteur peut s'utiliser pour déterminer la zone de détection. Lorsque le PIR détecte un mouvement, le voyant de détection s'allume. Le champ de l'appareil photo est un cône de 45 degrés, centré sur la zone de détection du PIR.





## Autres Notes Sur La Configuration (cont.)

### 3. POINTEUR LASER (modèles 119935/119905 uniquement)

Le Trail Scout 119935/119905 comporte un pointeur laser. Lorsque l'appareil est monté sur un arbre ou autre surface fixe et qu'il n'est pas possible de viser depuis l'arrière du boîtier, le pointeur laser permet de l'aligner correctement.

**REMARQUE : LA LUMIÈRE LASER PEUT ÊTRE DANGEREUSE POUR LES YEUX.  
LE POINTEUR LASER EST ACTIVÉ EN MODE DE CONFIGURATION.  
POUR ÉCARTER LE RISQUE DE LÉSION OCULAIRE, NE PAS  
DIRIGER LE POINTEUR LASER VERS LES YEUX D'UNE PERSONNE**



### 4. COMMUTATION AUTO JOUR/NUIT DU FILTRE IR (modèles 119935/119905 uniquement)

L'appareil Trail Scout modèle 119935/119905 comporte une fonction d'activation automatique d'un filtre dans le système optique durant la période définie comme étant le « jour » (voir « Définir le jour » dans le Guide de configuration). L'objet de ce filtre est de bloquer la lumière infrarouge, afin que les photos prises durant la journée ou avec le flash standard au xénon (dans l'ombre ou en fin de journée) aient une apparence normale. Ce filtre infrarouge équipe quasiment tous les appareils numériques, dont les capteurs d'image sont sensibles aussi bien à la lumière infrarouge qu'aux longueurs d'onde visibles. Toutefois, durant la période définie comme étant la « nuit » (de l'heure de fin à l'heure de début de journée), le filtre de blocage infrarouge est automatiquement désactivé, ou enlevé de l'optique de l'appareil. Ceci permet d'utiliser le réseau de lampes LED, qui émet une lumière infrarouge invisible, pour éclairer le sujet devant l'objectif et d'en former une image sur le capteur CMOS de l'appareil. Comme le filtre infrarouge est activé durant le jour, la combinaison du mode d'exploitation « jour » (DAY) et du mode de flash « LED » est déconseillée, car le filtre empêche la lumière infrarouge du flash d'atteindre le capteur, ce qui produit des photos sombres. Il est possible de sélectionner le flash standard avec le mode « nuit » (NIGHT), toutefois



## Autres Notes Sur La Configuration (cont.)

les photos peuvent paraître légèrement roses ou rougeâtres car le filtre infrarouge est désactivé. Voir le tableau suivant :

Mode d'exploitation	Mode de flash	Photos obtenues durant le jour	Photos obtenues durant la nuit	Combinaison conseillée
Jour (Day)	STD	Couleur et exposition normales	Ne prend pas de photo	OUI
Nuit (Night)	LED	Ne prend pas de photo	Noir et blanc, bonne exposition	OUI
24 heures	LED	Normales, parfois sombres par temps couvert ou en fin de journée	Noir et blanc, bonne exposition	Acceptable (meilleurs résultats de nuit, flash non détecté)
Jour (Day)	LED	Parfois sombres par temps couvert ou en fin de journée	Ne prend pas de photo	NON
Nuit (Night)	STD	Ne prend pas de photo	Couleur légèrement rose ou rougeâtre	Peut être utilisée
24 heures	STD	Couleur et exposition normales	Couleur légèrement rose ou rougeâtre	Acceptable (meilleurs résultats de jour)

Nouvelle    Croissante >    Plein    Décroissant >    Nouvelle



### 5. MARQUAGE DE PHASE DE LA LUNE

Tous les modèles Trail Scout comportent une fonction de marquage de phase de la lune. Ceci lie la date courante (réglée par l'utilisateur durant la configuration) à la phase de la lune à cette date (information contenue dans un circuit de mémoire interne) et incruste dans l'image un symbole représentant la phase de la lune au moment de la prise de vue. Ce symbole apparaît dans le coin inférieur gauche, à côté du nom d'utilisateur et du logo Bushnell. Ceci peut constituer une référence utile pour les chasseurs, pour déterminer si certains animaux sont inactifs aux environs de la pleine lune, qui les rend plus visibles pour leurs prédateurs. En outre, si certaines photos de nuit semblent avoir un fond plus sombre ou plus clair (au-delà de la portée du flash LED), il est possible de voir si cela est lié à la clarté de la lune au moment de la prise de vue. Les symboles des différentes phases de la lune sont représentés plus haut.

## UTILISER LE TRAIL SCOUT

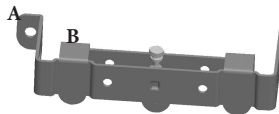
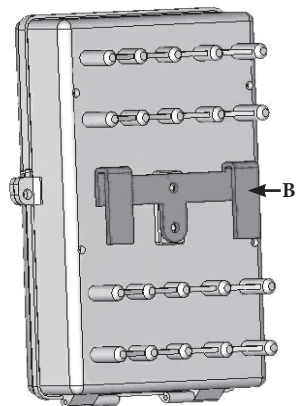
### 1. FIXATION:

L'appareil photo se pose sur un arbre comme représenté ci-dessous.

1. Visser le support A sur l'arbre.
2. Visser le support B sur le dos du boîtier de l'appareil.
3. Aligner le support B sur le support A.
4. Engager le support B dans le support A.
5. Enfin, poser le cadenas et verrouiller lorsque la configuration est effectuée.

Pour plus de sécurité, passer également le câble fourni autour de l'arbre.

1. Introduire le côté à grande patte dans le support A.
2. Faire ensuite passer l'autre bout du câble autour de l'arbre et le repasser à travers le support.
3. Serrer le boulon de blocage réglable pour tenir le câble fermement en place (B).





## Utiliser Le Trail Scout (cont.)

### 2. Récapitulatif de la mise en marche et la configuration :

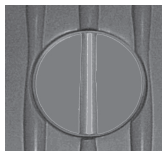
Tourner le bouton de 90° dans le sens inverse des aiguilles d'une montre et ouvrir le couvercle frontal.

Placer K1 en position ON (Marche).

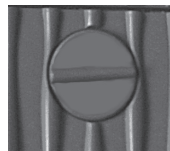
Saisir le mot de passe correct. Le mot de passe par défaut est « 0000 ».

*(Si un mot de passe incorrect est entré trois fois de suite, l'appareil s'éteint automatiquement. Pour le remettre en marche, remettre K1 sur OFF puis à nouveau sur ON)*

L'écran affiche le compteur d'IMAGES et ÉVÉNEMENTS courant. Pour afficher la DATE, l'HEURE et le NOM, appuyer sur Up ou Down. Pour modifier la DATE, l'HEURE, le NOM et le mot de passe, placer K1 sur SETUP (voir les détails dans le Guide de configuration). Une fois la configuration terminée, remettre K1 en position ON. L'appareil commence à fonctionner au bout d'un délai de 2 minutes pour permettre à l'utilisateur de quitter la zone. Les fonctions de K2, K3 et K4 peuvent être réglées en mode SETUP ou ON. Une fois la configuration terminée, fermer le couvercle frontal et tourner le bouton de 90° dans le sens des aiguilles d'une montre. Enfin, verrouiller le Trail Scout avec un cadenas.



Tourner le bouton de 90° dans le sens inverse des aiguilles d'une montre pour ouvrir



Tourner le bouton de 90° dans le sens des aiguilles d'une montre pour fermer



## GARANTIE LIMITÉE DE DEUX ANS

Votre produit Bushnell® est garanti exempt de défauts de matériaux et de fabrication pendant deux ans après la date d'achat. Au cas où un défaut apparaîtrait sous cette garantie, nous nous réservons l'option de réparer ou de remplacer le produit, à condition de nous le renvoyer en port payé. La présente garantie ne couvre pas les dommages causés par une utilisation, une manipulation, une installation incorrecte(s) ou un entretien incorrect ou fourni par quelqu'un d'autre qu'un centre de réparation agréé par Bushnell.

Tout retour effectué dans le cadre de la présente garantie doit être accompagné des articles indiqués ci-dessous :

- 1) un chèque ou mandat d'une somme de 10,00 \$ US pour couvrir les frais d'envoi et de manutention
- 2) le nom et l'adresse pour le retour du produit
- 3) une description du défaut constaté
- 4) la preuve de la date d'achat
- 5) Le produit doit être emballé soigneusement, dans un carton d'expédition solide, pour éviter qu'il ne soit endommagé durant le transport ; envoyez-le en port payé, à l'adresse indiquée ci-dessous :

Aux États-Unis, envoyez à:  
Bushnell Outdoor Products  
Attn.: Repairs  
8500 Marshall Drive  
Lenexa, Kansas 66214

Au CANADA, envoyez à:  
Bushnell Performance Optics  
Attn.: Repairs  
25A East Pearce Street, Unit 1  
Richmond Hill, Ontario L4B 2M9

Pour les produits achetés en dehors des États-Unis et du Canada, veuillez contacter votre distributeur local pour tous renseignements concernant la garantie. En Europe, vous pouvez aussi contacter Bushnell au :

BUSHNELL Performance Optics GmbH  
European Service Centre  
MORSESTRASSE 4  
D- 50769 Cologne  
Allemagne  
Tél: +49 (0) 221 709 939 3  
Fax: +49 (0) 221 709 939 8

La présente garantie vous donne des droits légaux spécifiques.  
Vous pouvez avoir d'autres droits qui varient selon les pays.

©2007 Bushnell Outdoor Products

## Remarque relative à la FCC (Commission fédérale des télécommunications)

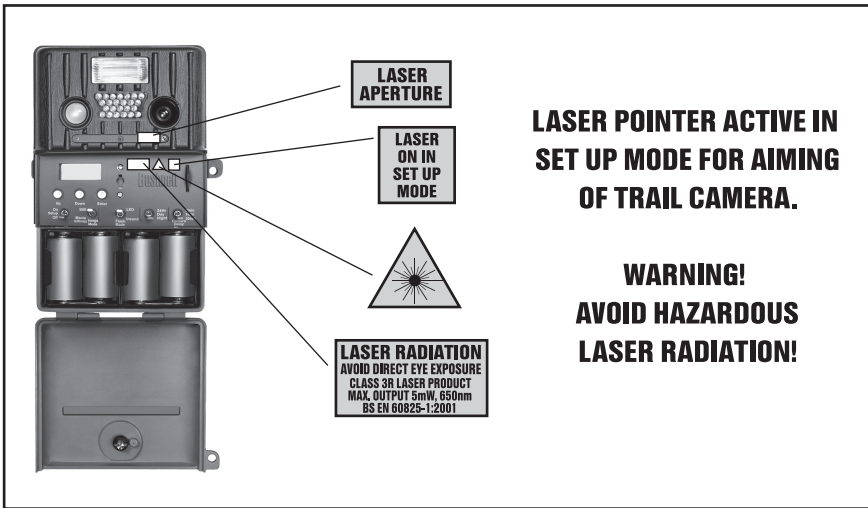
Ce matériel a été testé et s'est révélé être conforme aux limites d'un dispositif numérique de classe B, conformément à la section 15 de la réglementation FCC. Ces limites ont été établies pour assurer une protection raisonnable contre les parasites nuisibles dans les immeubles résidentiels. Ce matériel produit, utilise et peut émettre de l'énergie radiofréquence ; en conséquence, s'il n'est pas installé et utilisé en conformité avec les instructions, il risque de provoquer des parasites nuisibles aux communications radio. Toutefois, il n'est pas garanti que des parasites ne se produiront pas dans une installation particulière. Si ce matériel causait des parasites nuisibles à la réception radio ou télévision, qui peuvent être déterminés en mettant le matériel hors tension puis sous tension, l'utilisateur peut essayer de remédier au problème en appliquant l'une ou plusieurs des mesures suivantes :

- Réorienter ou déplacer l'antenne de réception.
- Augmenter la distance séparant le matériel du récepteur.
- Connecter le matériel à une prise de courant ou à un circuit différent(e) de celui (celle) auquel (à laquelle) le récepteur est relié.
- Consulter le concessionnaire ou un technicien radio/TV expérimenté.

Le câble d'interface blindé doit être utilisé avec le matériel afin d'être conforme aux limites d'un dispositif numérique, conformément à la sous-section B de la section 15 de la réglementation FCC.

Les spécifications et conceptions sont sujettes à modification sans préavis ni obligation de la part du fabricant.





**Pointeur laser actif en mode Setup pour la visée de l'appareil photo.  
Avertissement ! Éviter les rayonnements laser dangereux !**



**FR****Participons à la protection de l'environnement !**

- ① Votre appareil contient de nombreux matériaux valorisables ou recyclables.
- ➔ Confiez celui-ci dans un point de collecte ou à défaut dans un centre service agréé pour que son traitement soit effectué.

**UK  
IE****Environment protection first !**

- ① Your appliance contains valuable materials which can be recovered or recycled.
- ➔ Leave it at a local civic waste collection point.

**DE  
AT****Schützen Sie die Umwelt!**

- ① Ihr Gerät enthält mehrere unterschiedliche, wiederverwertbare Wertstoffe.
- ➔ Bitte geben Sie Ihr Gerät zum Entsorgen nicht in den Hausmüll, sondern bringen Sie es zu einer speziellen Entsorgungsstelle für Elektrokleingeräte (Wertstoffhof).

**BE****Participons à la protection de l'environnement !**

- ① Votre appareil contient de nombreux matériaux valorisables ou recyclables.
- ➔ Confiez celui-ci dans un point de collecte ou à défaut dans un centre service agréé pour que son traitement soit effectué.

**Samen het milieu beschermen !**

- ① Uw toestel bevat meerdere recycleerbare materialen
- ➔ Breng deze naar een containerpark of naar een erkend service center, bevoegd voor de recycling.

**DK****Vi skal alle være med til at beskytte miljøet!**

- ① Apparatet indeholder mange materialer, der kan genvindes eller genbruges.
- ➔ Bring det til et specialiseret indsamlingssted for genbrug eller et autoriseret serviceværksted, når det ikke skal bruges mere.

**ES****¡ ¡ Participe en la conservación del medio ambiente ! !**

- ① Su electrodoméstico contiene materiales recuperables y/o reciclables.
- ➔ Entréguelo al final de su vida útil, en un Centro de Recogida Específico o en uno de nuestros Servicios Oficiales Post Venta donde será tratado de forma adecuada

**FI****Huolehtikaamme ympäristöstä!**

- ① Laitteesi on varustettu monilla arvokkailla ja kierrätettävillä materiaaleilla.
- ➔ Toimita laitteesi keräyspisteeseen tai sellaisen puuttuessa vaikka valtuutettuun huoltokeskukseen, jotta laitteen osat varmasti kierrätetään.

**GR****Ας συμβάλουμε κι εμείς στην προστασία του περιβάλλοντος!**

- ① Η συσκευή σας περιέχει πολλά αξιοποιήσιμα ή ανακυκλώσιμα υλικά.
- ➔ Παραδώστε τη παλιά συσκευή σας σε κέντρο διαλογής ή ελεήσει τέτοιου κέντρου σε εξουσιοδοτημένο κέντρο σέρβις το οποίο θα αναλάβει την επεξεργασία της.

**PR****Proteção ao meio ambiente em primeiro lugar!**

- ① Seu aparelho inclui materiais valiosos, que podem ser reciclados ou recuperados.
- ➔ Deixe-o em um ponto de coleta de resíduos local.





## NOTES D'EXPLOITATION SUPPLEMENTAIRES

- L'affichage de « ENTER SUSPEND » signifie que le système est sur le point de suspendre son activité (mode de veille pour économiser les piles).
- Après avoir placé K1 sur ON, le système commence à fonctionner au bout d'un délai de deux minutes. Au bout de trois minutes d'inactivité, le système passe en mode de veille (SUSPEND). Lorsque le capteur PIR détecte un mouvement, l'appareil s'active immédiatement.
- L'affichage de « RESUME » signifie que le système est actif.
- Changer les piles en moins de 20 secondes pour éviter de devoir reconfigurer la date et l'heure.





## Español

¡Enhorabuena por la compra de la cámara digital Digital Trail Scout™ de Bushnell®! Esta cámara está diseñada para registrar las actividades de la fauna en su entorno natural con sus modalidades de imágenes fijas y películas y su construcción resistente impermeable. Este manual de instrucciones está diseñado para que comprenda bien la forma de funcionar de esta cámara.

### **Características de la cámara digital Trail Scout de Bushnell (todos los modelos)**

Esta cámara, uno de los avances más revolucionarios en la tecnología de exploración hasta la fecha, cumple con su cometido. Esta cámara, que dispone de una de las interfaces más sencillas de la industria, tiene un sistema de interruptor basculante que indica cuáles son los ajustes de la cámara, ¡sin tener que lidiar con una interfaz de software confusa! El sistema de seguridad integrado tiene cuatro niveles. Todas las cámaras Trail Scout disponen de un candado, cierre con cable, soporte de árbol para sujeción con tornillo y contraseña de software que impide posibles robos. La cámara digital de alta resolución produce vistas nítidas de los animales en su área y pone un sello en cada imagen con la fecha, hora, nombre e incluso la fase lunar. Junto con la modalidad de imágenes normales, existe una modalidad de películas para clips de video de 15 segundos (con sonido en los modelos 119935/119905). La cámara funcionará durante el día, la noche o las 24 horas y detecta animales a 13,5 m. El flash de xenón de tamaño grande (estándar) llega hasta 9 m. Los ajustes de demora de imágenes son de 30 segundos, 1 minuto y 2 minutos. La innovadora LCD con iluminación de fondo facilita en gran medida la configuración en el campo. La cámara Trail Scout es impermeable y resistente.





## DIGITAL TRAIL SCOUT MODELOS

### 119833—Cámara digital Trail Scout 3.0MP

Imágenes y tecnología de exploración de gran calidad a un gran valor. Esta cámara detecta ciervos y otros animales a distancias de hasta 13,5 m con su sensor infrarrojo pasivo. El indicador de descarga de las pilas se enciende cuando la carga sea inferior al 25%. El LED de movimiento se enciende cuando el sensor detecta actividades en la modalidad normal de imágenes y durante la modalidad de configuración para apuntar. Impermeable. Característica de sello de fecha/hora/fase lunar. Tiene un cable de seguridad de aluminio de aviación, candado y soporte de árbol. Superficie con textura similar a la de la corteza de árboles para camuflar al máximo.

### 119935/119905 (RealTree AP® Camo)—Trail Scout 5.0MP digital con visión nocturna

Esta cámara, gracias a todas las características de la 3.0MP Trail Scout más visión nocturna y más, es la mejor cámara digital de su clase. Las fotos fijas se toman con una resolución de 5 megapixels (por medio de procesamiento de software) y los clips de vídeo incluyen el sonido grabado por un micrófono integrado. Escoja su ajuste para un flash de cámara normal o flash LED de estilo furtivo. El flash LED permite tomar fotos de forma discreta en la noche sin un flash visible. No hay necesidad de preocuparse de que el flash delate su posición en áreas de caza populares donde haya mucha gente. Y no hay necesidad de fijar manualmente un interruptor de filtro infrarrojo para la modalidad diurna o nocturna a fin de obtener grandes resultados, ya que esto se hace automáticamente. Esta cámara incluye una característica de puntería láser que se puede configurar fácilmente en el bosque.

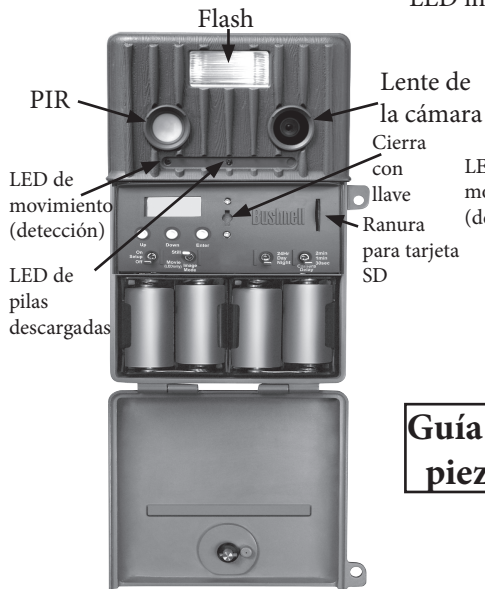


## ESPECIFICACIONES DE LA CÁMARA DIGITAL TRAIL SCOUT

Sensor de imágenes	1/2" CMOS, 3,0 millones de pixels (los modelos 119935/119905 capturan imágenes con resolución 5MP por medio de procesamiento de software)
Lente	F/3,5, longitud focal eficaz de 42 mm. Alcance de visión: 45 grados
Flash	Flash de xenón electrónico de alta potencia o configuración de LED infrarrojos de 24 lámparas. Alcance: 9 m
Sensor PIR	Sensor infrarrojo pasivo de poco ruido y alta sensibilidad. Alcance: 13,5 m
Indicador del LED de movimiento	Sí
Pantalla	LCD con iluminación de fondo, 2 filas x 8 caracteres Desconexión automática: 3 minutos. Visualización de eventos e imágenes de 2 dígitos.
Formato del archivo	Imagen fija JPG (3,0 ó 5,0 megapixels). Imágenes de la película AVI 320 x 240 pixels por cuadro. Versión DCF. Gestión de archivos 1.0
Exposición	Automática
Equilibrio blanco	Automática
Fuente de alimentación	Pilas de botón 4 x "D" Indicador de descarga de pilas cuando quede un 25% de energía.
Duración de las pilas	Aproximadamente 30 días (dependiendo de la temperatura, actividad de la cámara y uso del flash)
Contraseña de usuario	Sí, intervalo disponible: 0000 a 9999
Otro (119935/119905 solamente)	Puntero láser, configuración de LED infrarrojos para tomar imágenes infrarrojas de visión nocturna.

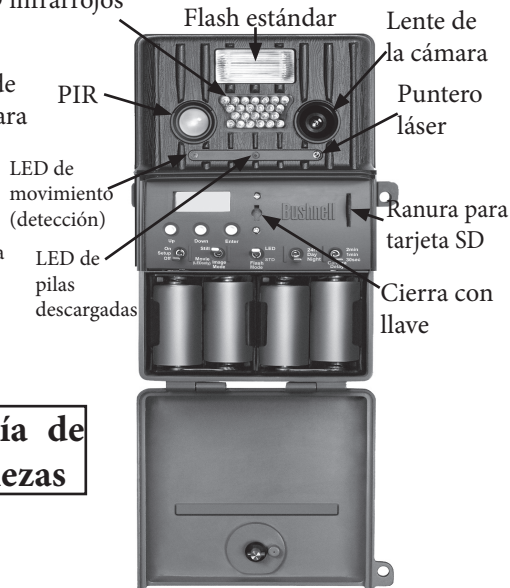


## 119833



Configuración de LED infrarrojos

## 119935/119905

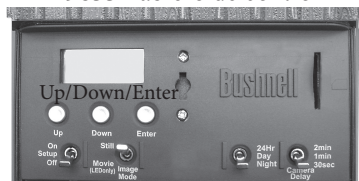


**Guía de piezas**



## Descripción de los interruptores y configuración

### 119833 Tablero de control



K1 K2 K3 K4

### 119935/119905 Tablero de control



K1 K2 K3 K4 K5

\* vea "Fijar hora del día" en la Guía de configuración en lo que se refiere al cambio de horas implícitas  
 \*\* puede llamarse "Incand"

48 en algunas unidades

119833	Posición / Ajuste de los interruptores		
N° de interruptor / Función	ARRIBA	CENTRO	ABAJO
K1 (Modalidad de operación)	Encendido	Configuración	Apagado
K2 (Modalidad de imágenes)	Fija	-	Película
K3 (Modalidad diurna/nocturna)	24 Horas	Día (Opción implícita = 6AM-6PM*)	Noche (Opción implícita = 6AM-6PM*)
K4 (Demora de cámara)	2 minutos	1 minuto	30 segundos

119935/119905	Posición / Ajuste de los interruptores		
N° de interruptor / Función	ARRIBA	CENTRO	ABAJO
K1 (Modalidad de operación)	Encendido	Configuración	Apagado
K2 (Modalidad de imágenes)	Fija	-	Película
K3 (Modalidad de flash)	LED	-	Estándar**
K4 (Modalidad diurna/nocturna)	24 Horas	Día (Opción implícita = 6AM-6PM*)	Noche (Opción implícita = 6AM-6PM*)
K5 (Demora de cámara)	2 minutos	1 minuto	30 segundos

**NOTA (Modelos 119935/119905 solamente) : EL PUNTERO LÁSER SE ACTIVA EN LA MODALIDAD DE CONFIGURACIÓN. NO PERMITA QUE EL PUNTERO LÁSER SE DIRIJA HACIA LOS OJOS DE UNA PERSONA PARA EVITAR POSIBLES LESIONES EN LOS MISMOS.**

**Antes de empezar la configuración, introduzca 4 pilas alcalinas de tamaño “D” según se indica dentro del compartimiento de las pilas**

### 1. K1 - Interruptor de modalidad (OFF / SETUP / ON) (APAGADO / CONFIGURACIÓN / ENCENDIDO):

**a) Corriente conectada (posición ARRIBA):** Ponga K1 en la posición ON. La pantalla LCD mostrará “BUSHNELL” durante unos 2 segundos.



EVENTO nn
IMAGEN nn

La LCD recorrerá las pantallas de FECHA/HORA/EVENTO E IMAGEN al pulsar las teclas Arriba y Abajo.



**b) Modalidad de CONFIGURACIÓN [mueva el interruptor K1 de la posición ARRIBA (ON) a la posición central]:** Pulse los botones Arriba y Abajo para recorrer las opciones de FECHA, HORA, NOMBRE y CONTRASEÑA para modificar o fijar estas funciones. Consulte más detalles en las dos páginas siguientes.

**c) Corriente desconectada:** Fije K1 en “Off”, la cámara Trail Scout se APAGARÁ.

**Consulte las instrucciones de montaje en la sección del manual titulada “Uso de la Trail Scout”.**

## Guía De Configuración (cont.)

- (1) **FIJAR FECHA:** Cuando la pantalla LCD muestre la fecha, pulse la tecla ENTER para modificar la fecha. Pulse el botón Arriba o Abajo para seleccionar 1-12 y después pulse el botón ENTER para confirmar el mes de dos dígitos. El cursor pasará entonces al día. Pulse el botón Arriba o Abajo para seleccionar 1-31 y después pulse el botón ENTER para confirmar el día de dos dígitos. Después el cursor se moverá al año. Pulse el botón

Set Date  
09/18/04

Arriba o Abajo para seleccionar 0-99 y después pulse el botón ENTER para confirmar el año de dos dígitos. En Fijar fecha, pulse el botón Abajo para fijar la hora.

*Nota: Vea "Otras notas de configuración" para obtener detalles de la característica de sello de fase lunar, que está relacionada con la fecha fijada aquí.*

- (2) **FIJAR HORA:** Cuando la pantalla LCD muestre la hora, pulse la tecla ENTER para modificar la hora. Pulse el botón Arriba o Abajo para seleccionar 1-12 y después pulse el botón ENTER para confirmar la hora de dos dígitos. Después el cursor se moverá al minuto. Pulse el botón Arriba o Abajo para seleccionar 0-59 y después pulse el botón ENTER para confirmar el minuto de dos dígitos. En SET NAME (FIJAR HORA), pulse el botón Abajo para fijar el nombre.

Set Time  
06: 30 PM

- (3) **FIJAR NOMBRE:** Cuando la pantalla LCD muestre el nombre actual, pulse la tecla ENTER para modificar el nombre mostrado. Pulse el botón Arriba o Abajo para seleccionar un carácter de "A" a "Z", "0" a "9", "\_" y después pulse ENTER para confirmar. El cursor se moverá al carácter siguiente. Hay 2 líneas de 8 caracteres cada uno para su uso. En Set Name (Fijar nombre), pulse el botón Abajo para cambiar la contraseña.

MI NOMBRE  
555\_1234

- (4) **FIJAR CONTRASEÑA:**

Password  
Set

Cuando la pantalla LCD muestre [Password Set], pulse la tecla ENTER para fijar la contraseña.

#### (4) FIJAR CONTRASEÑA (cont.):

Password  
Yes

La LCD mostrará [Password Yes]. Pulse ENTER para cambiar la contraseña. Si no desea fijar una contraseña, puede pulsar la tecla Arriba o Abajo para seleccionar NO. Si ha seleccionado YES, la LCD muestra [New Pswd]. Pulse la tecla Arriba o Abajo para seleccionar el primer dígito de la contraseña de 0-9. Pulse ENTER para confirmar, el cursor se moverá al siguiente dígito a la derecha. Repita el proceso usando las teclas Arriba, Abajo y Enter para introducir su contraseña de cuatro dígitos. Pulse ENTER para confirmar. Si no desea fijar una contraseña cuando la LCD muestre (Password Yes), puede pulsar el botón Arriba/Abajo para seleccionar No. Después de pulsar ENTER, la pantalla LCD muestra (Password None), y no se fijará ninguna contraseña. Cuando termine con la CONFIGURACIÓN, cambie K1 a la posición ON (ARRIBA) y la unidad funcionará después de 2 minutos de demora.

New Pswd  
0 0 0 0

Password  
None

(5) FIJAR HORA DEL DÍA: *(Nota: Este ajuste determina el período cuando se toman las fotos en las modalidades DIURNA y NOCTURNA solamente, y el interruptor activa automáticamente un filtro infrarrojo durante el día – vea 4 en “Otras notas de configuración”)*

Day Time  
07 -- 18

Cuando la pantalla LCD muestre (Day Time), pulse la tecla ENTER para fijar el intervalo de HORA DEL DÍA. La LCD mostrará y subrayará los 2 primeros dígitos en la modalidad de HORA DEL DÍA. Pulse las teclas Arriba o Abajo para fijar la hora del reloj de 24 horas para la hora de comienzo específica deseada de HORA DEL DÍA. Pulse ENTER para fijar la hora de comienzo de HORA DEL DÍA. Después, el subrayado se moverá al segundo de los 2 dígitos en la modalidad de HORA DEL DÍA. Pulse las teclas Arriba o Abajo para fijar la hora del reloj de 24 horas para la hora de terminación específica de HORA DEL DÍA deseada. Pulse ENTER para fijar la hora de terminación de la HORA DEL DÍA. Ahora estará definida su HORA DEL DÍA (NOCHE se define como el período entre las horas de comienzo y terminación del DÍA). Si no establece sus propios ajustes para DÍA, se usa una opción implícita de 6AM~6PM.

*Ejemplo: 07—18 define el DÍA como de 7AM a 6PM (6PM=18:00 horas en un reloj de 24 horas).*



## Guía De Configuración (cont.)

### 2. K2 – Interruptor de Modalidad de imágenes (STILL / MOVIE) (FIJA / PELÍCULA):

Fije K2 en uno de estos ajustes:

**Modalidad de foto FIJA (ARRIBA):** La resolución de imágenes es 3,0MP (119833) o 5,0MP (119935/119905) y las fotos se almacenan en formato JPG.

**Modalidad de PELÍCULA (ABAJO):** La cámara puede grabar una película de 15 segundos, el formato de archivo es AVI (con sonido en los modelos 119935/119905).

**NOTA:** En el modelo 119833, la combinación de modalidad NOCTURNA y la modalidad PELÍCULA producirá videos oscuros, ya que el flash de xenón no funciona en la modalidad de PELÍCULA. En los modelos 119935/119905, puede usar las modalidad NOCTURNA y PELÍCULA juntas fijando el interruptor K3 (modalidad de iluminación) en la posición LED (el flash de xenón estándar no funciona en la modalidad PELÍCULA).

*Nota: Vea 4 en “Otras notas de configuración” para obtener información adicional.*

*(Modelos 119935/119905 solamente)*

### 3. K3 - Interruptor de modalidad flash (LED / Standard) (LED / Estándar):

La cámara de caza tiene dos modalidades que escogen el tipo de flash que se activará en condiciones de oscuridad:

(a) **Modalidad LED (configuración de lámparas LED infrarrojas):** La luz LED infrarroja es invisible a simple vista, pero iluminará la cámara. Úsela cuando no desee alertar al sujeto por la noche. Esta modalidad también se puede usar para filmar películas nocturnas. Durante el tiempo definido como “Noche”, se desactiva automáticamente un filtro de bloqueo infrarrojo, de modo que la luz infrarroja generada por los LED pueda crear una imagen. Durante el “Día”, se reactiva el filtro de bloqueo infrarrojo; por lo tanto, debe usar la posición del flash “estándar” o de xenón para obtener los mejores resultados cuando la cámara se fije en la modalidad de “Día solamente”.

(b) **Modalidad STD (estándar):** (Tubo de flash de xenón) *Nota: esta posición de interruptor puede llamarse “Incand” en vez de “STD” en algunas unidades de producción anterior.* Puede usar la modalidad Estándar para condiciones de crepusculares/nubosas, o tomar fotos fijas de color por la noche. Si desea usar la modalidad PELÍCULA, no puede usar la modalidad de flash Estándar—debe fijar K3 en LED.





## Guía De Configuración (cont.)

4. **K3 (Modelo 119833) – MODALIDAD (24 Hr / DAY / NIGHT) (24 Hr / DIURNA / NOCTURNA):**  
**K4 (Modelo 119935/119905)– MODALIDAD (24 Hr / DAY / NIGHT) (24 Hr / DIURNA / NOCTURNA):**

La cámara Trail Scout tiene tres modalidades de operación:

(a) **24Hr:** Esta cámara funciona de día y de noche. Cuando el sensor PIR (infrarrojo pasivo) detecta un sujeto, la cámara tomará una foto y registrará un EVENTO.

(b) **DIURNA:** Esta cámara solo toma fotos durante el día (período de comienzo~terminación del día definido por el usuario u opción implícita de 6am~6pm). Cuando el PIR detecta un sujeto, la unidad tomará la imagen y grabará un EVENTO. Si el PIR se activa entre las horas de comienzo y terminación del Día, sólo se registra un EVENTO. No se toma una imagen.

(c) **NOCTURNA:** Esta cámara solo toma fotos durante la noche (desde la hora de comienzo a la hora de terminación del Día definidos por el usuario, o la opción implícita 6pm~6am). Cuando el PIR detecta un sujeto, la unidad tomará la imagen y grabará un EVENTO. Si el PIR se activa durante el “Día”, sólo se registra un EVENTO. No se toma una imagen.

5. **K4 (Modelo 119833)– (30s/1Min/2Min) MODALIDAD DE DEMORA DE LA CÁMARA:**  
**K5 (Modelo 119935/119905) – (30s/1Min/2Min) MODALIDAD DE DEMORA DE LA CÁMARA :**

Hay tres modalidades para tomar fotos demoradas: 30 segundos, 1 minuto y 2 minutos  
La unidad registrará EVENTOS mientras la CÁMARA esté en la MODALIDAD DE DEMORA cada vez que el PIR detecte un movimiento.

- (a) 30 s: Después de la primera foto, se tomará una segunda foto 30 segundos después.  
(b) 1 min: Después de la primera foto, se tomará una segunda foto 1 minuto después.  
(c) 2 min: Después de la primera foto, se tomará una segunda foto 2 minutos después.





## GLOSARIO

**PIR**—Sensor infrarrojo pasivo. Detecta movimiento como un detector de movimiento de seguridad típico. Requiere energía infrarroja (calor) además de movimiento para activar el sensor y asegurar la detección de animales vivos.

**Evento**—Cualquier momento en que el PIR detecte movimiento cuenta como un evento. Los eventos se graban en la tarjeta SD en un archivo de texto. Los eventos se graban continuamente durante la operación.

**Imagen**—Una foto digital grabada en la tarjeta SD cuando se detecte movimiento. Las imágenes se toman con la demora deseada entre imágenes.

**Demora de imágenes**—Tiempo transcurrido entre fotos mientras se detectan y se graban eventos. Esto lo fija el usuario basándose en la actividad de la fauna del área.

**Flash infrarrojo**—Configuración de LED infrarrojos—Característica de visión nocturna de LED. Emite una ráfaga de luz infrarroja que es invisible a simple vista. Es útil especialmente para fotos nocturnas cuando no se desee un flash. (Presente en los modelos 119935/119905 solamente)

**Flash Std (estándar)**—Tubo de flash de xenón usado para hacer fotografías con poca luz o por la noche. Se activa automáticamente si es necesario debido a cielo oscuro, nublado o menguante al final del día.

**Tarjeta SD**—Tarjeta de memoria usada para almacenar imágenes y eventos. Compatible con una tarjeta SD con una capacidad máxima de 1 GB (todas las nuevas cámaras Trail Scouts incluyen una tarjeta de 128 MB).

**Duración de las pilas**—Tiempo que funcionará la cámara en el campo. Depende de la temperatura, número de imágenes y número de flashes durante ese tiempo.

**Configuración**—Uso del menú de visualización y de los botones para fijar la fecha/hora, fotos fijas o películas, y la contraseña.

**Seguridad**—Uno de los requisitos más importantes de cualquier cámara de exploración. Las cámaras Trail Scout tienen 4 características de seguridad—lengüeta de candado, soporte de árbol, cierre de cable y contraseña de software.

**Velocidad de accionamiento**—Demora entre un sujeto que pase delante de un sensor PIR y la captura de la imagen de ese sujeto. Todas las cámaras de exploración de Bushnell tienen una velocidad de accionamiento de menos de un segundo.





## OTRAS NOTAS DE CONFIGURACIÓN

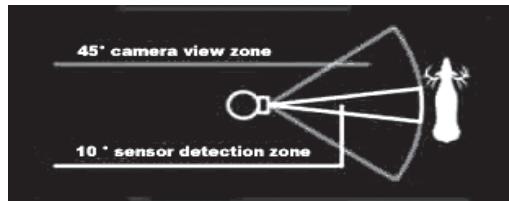
### 1. RANURA PARA TARJETA SD

La unidad tiene una ranura para tarjeta SD estándar. Debe empujar la tarjeta SD con la etiqueta apuntando hacia el logotipo de Bushnell en la ranura para tarjeta SD. Al empujarla de nuevo, se soltará la tarjeta SD y a continuación podrá sacarla de la ranura. La introducción o la retirada de la tarjeta SD sólo se recomienda cuando la unidad esté en la posición de “APAGADO”.

### 2. SENSOR PIR

El sensor que activa la cámara es un sensor infrarrojo pasivo o PIR. La energía infrarroja es esencialmente energía térmica. El detector PIR opera al detectar un cambio en el nivel de infrarrojos en su zona de detección. Esta zona es un cono en los 10 grados centrales del campo de visión de la cámara. La cámara establece un nivel de infrarrojos promedio de largo plazo. Cuando este nivel aumente súbitamente, el detector PIR envía una señal a la cámara para grabar una imagen o un evento. Debido a este efecto, el detector PIR será más sensible por la noche, cuando la temperatura promedio es menor.

En la modalidad de Configuración, puede usar el sensor PIR para determinar la zona de detección. Cuando se detecta el PIR, se encenderá el indicador de detección del PIR. El campo de visión de la cámara es un cono de 45 grados, centrado en la zona de detección del PIR.





## Otras Notas De Configuración (cont.)

### 3. PUNTERO LÁSER (Modelos 119935/119905 solamente)

La cámara Trail Scout 119935/119905 tiene un puntero láser. Cuando monte la unidad en un árbol o en cualquier otra superficie fija y no pueda ver desde detrás de la cámara de caza, puede usar el puntero láser para alinear la unidad.

**NOTA: LA LUZ LÁSER ES POTENCIALMENTE PELIGROSA PARA LOS OJOS. EL PUNTERO LÁSER SE ACTIVA EN LA MODALIDAD DE CONFIGURACIÓN. NO PERMITA QUE EL PUNTERO LÁSER SE DIRIJA HACIA LOS OJOS DE UNA PERSONA PARA EVITAR POSIBLES LESIONES EN LOS MISMOS.**



### 4. INTERRUPTOR DEL FILTRO INFRARROJO AUTOMÁTICO DE DÍA/NOCHE (Modelos 119935/119905 solamente)

La cámara Trail Scout modelo 119935/119905 tiene una función automática que activa un filtro en el sistema de lentes de la cámara durante el período que defina como “Día” (vea “Fijar hora del día” en la Guía de configuración). La finalidad de este filtro es bloquear la luz infrarroja, de modo que las fotos tomadas con luz diurna o con el tubo de flash estándar (xenón) (en sombras intensas o tardías del día) tengan un aspecto normal. Esta luz infrarroja se encuentra prácticamente en todas las cámaras digitales, ya que sus sensores de imágenes son sensibles a la luz infrarroja así como a las longitudes de onda de luz visible. No obstante, durante el tiempo definido como “Noche” (de la hora de terminación a la hora de comienzo del Día), el filtro de bloqueo infrarrojo se desactiva automáticamente, o se retira de la ruta de la lente. Esto permite que la configuración de lámparas LED, que emite una luz infrarroja invisible, pueda crear una imagen en el sensor CMOS de la cámara cuando la luz infrarroja ilumina un sujeto delante de la lente. Como el filtro infrarrojo se activa durante el período de Día, no se recomienda la combinación de la modalidad de operación “DÍA solamente” y la modalidad flash “LED”, ya que el filtro impide que la luz infrarroja del LED llegue al sensor, produciendo fotos oscuras. El flash estándar puede seleccionarse junto con la modalidad “NOCHE solamente”, sin embargo, las fotos pueden tener un color ligeramente rosa o rojizo debido al filtro infrarrojos desactivado. Consulte la tabla siguiente:

56



## Otras Notas De Configuración (cont.)

Modalidad operación	Modalidad flash	Resultados de las foto diurnas	Resultados de las fotos nocturnas	Combinación recomendada
Día solamente	STD	Color y exposición normales	Fotos no tomadas	Sí
Noche solamente	LED	Fotos no tomadas	Buena exposición en blanco y negro	SÍ
24 horas	LED	Normal, pueden ser oscuras durante condiciones nubosas u horas tardías	Buena exposición en blanco y negro	Buena (mejores resultados nocturnos, el flash no se detecta)
Día solamente	LED	Pueden ser oscuras durante condiciones nubosas u horas tardías	Fotos no tomadas	NO
Noche solamente	STD	Fotos no tomadas	Color ligeramente rosado o rojizo	Se acepta su uso
24 horas	STD	Color y exposición normales	Color ligeramente rosado o rojizo	Buena (mejores resultados diurnos)

Nueva      Creciente >      Llena      Menguante >      Nueva



### 5. SELLO DE FASE LUNAR

Todos los nuevos modelos Trail Scout tienen una característica de sello de "fase lunar". Esto enlaza la fecha actual (según la fija el usuario en el procedimiento de configuración) con la fase lunar en esa fecha (estos datos se almacenan en un chip de memoria interna), e imprime un icono en la foto que representa la fase lunar cuando se tomó la foto. El icono de la fase lunar aparecerá en sus fotos en la parte inferior izquierda, junto al nombre y al logotipo de Bushnell. Algunos cazadores encontrarán que esto es una referencia útil, ya que puede ayudar a determinar si ciertos animales son inactivos por la noche cuando esté presente la luna llena o casi llena, haciendo que sean más visibles para los predadores. Si algunas de las fotos nocturnas parecen tener un fondo más oscuro o más claro (más allá del alcance de las lámparas o flash LED), puede ver si estaba relacionado con el brillo de la luna en ese momento. Los iconos para las diversas fases lunares se muestra arriba.

57



## USO DE LA DIGITAL TRAIL SCOUT

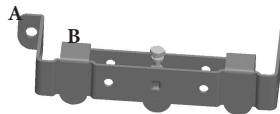
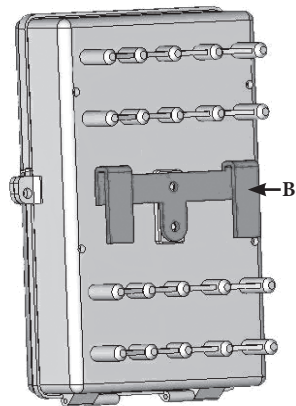
### 1. MONTAJE:

Monte la cámara en el árbol según se muestra abajo.

1. Atornille el soporte A al árbol.
2. Sujete el soporte B con pernos en la parte trasera de la cámara.
3. Haga corresponder el soporte B con el soporte A.
4. Después, cuelgue el soporte B sobre el soporte A.
5. Por último, introduzca el candado y el cierre cuando se complete la configuración.

Como seguridad adicional, puede usar el cable incluido para enrollarlo también alrededor del árbol.

1. Introduzca el extremo con la oreja grande en el soporte A.
2. Después, pase el otro extremo del cable alrededor del árbol y de vuelta por el soporte.
3. Apriete el perno de traba ajustable para sujetar bien el cable en posición (B).





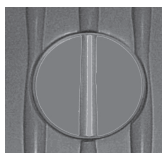
## Uso De La Trail Scout (cont.)

### 2. Resumen del interruptor de encendido y configuración:

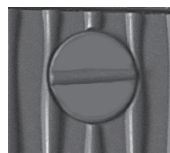
Gire la perilla 90° hacia la izquierda y abra la tapa delantera. Fije K1 en la posición ON. Introduzca la contraseña correcta. La contraseña implícita es "0000".

(Si la contraseña se introduce 3 veces de forma incorrecta, la unidad se desconectará automáticamente. Si desea encenderla nuevamente, debe volver a fijar K1 en OFF y después fije K1 en ON).

La LCD mostrará el contador actual de IMÁGENES Y EVENTOS. Puede pulsar la tecla Arriba o Abajo para ver FECHA, HORA, NOMBRE. Si desea modificar FECHA, HORA, NOMBRE o contraseña, fije K1 en SETUP. (Consulte los detalles en la GUÍA DE CONFIGURACIÓN). Después de terminar la CONFIGURACIÓN, fije nuevamente K1 en la posición ON. La unidad se demorará 2 minutos antes de funcionar para ayudarle a despejar el área. Las funciones de K2, K3 y K4 pueden fijarse en la modalidad de CONFIGURACIÓN o ENCENDIDO. Después de terminar la CONFIGURACIÓN, cierre la tapa delantera y gire la perilla 90° hacia la derecha. Por último, asegure la cámara Trail Scout con un candado.



Gire la perilla 90° hacia la izquierda para abrirla. →



← Gire la perilla 90° hacia la derecha para cerrarla.



## GARANTÍA LIMITADA de DOS AÑOS

Su producto Bushnell está garantizado contra defectos de materiales y fabricación durante dos años después de la fecha de compra. En caso de defectos bajo esta garantía, nosotros, a nuestra opción, repararemos o sustituiremos el producto siempre que lo devuelva con portes pagados. Esta garantía no cubre defectos causados por el uso indebido, ni por un manejo, instalación o mantenimiento realizados por alguien que no sea un departamento de servicio autorizado de Bushnell.

Cualquier envío que se haga bajo esta garantía deberá ir acompañado por lo siguiente:

- 1) Un cheque/giro postal por la cantidad de 10 dólares para cubrir los gastos postales y de manejo
- 2) Nombre y dirección donde quiere que se le envíe el producto
- 3) Una explicación del defecto
- 4) Una prueba de la fecha de compra
- 5) El producto debe empaquetarse bien en una caja resistente para evitar que se dañe durante el transporte, con los portes prepagados a la dirección que se muestra a continuación:

### En EE.UU. enviar a:

Bushnell Outdoor Products  
Attn.: Repairs  
8500 Marshall Drive  
Lenexa, Kansas 66214

### En CANADÁ enviar a:

Bushnell Outdoor Products  
Attn.: Repairs  
25A East Pearce Street, Unit 1  
Richmond Hill, Ontario L4B 2M9

En el caso de productos comprados fuera de Estados Unidos o Canadá, póngase en contacto con su distribuidor local para que le den la información pertinente sobre la garantía.

En Europa también puede ponerse en contacto con Bushnell en:

BUSHNELL Performance Optics GmbH  
European Service Centre  
MORSESTRASSE 4  
D- 50769 K+LN  
ALEMANIA  
Tél: +49 (0) 221 709 939 3  
Fax: +49 (0) 221 709 939 8

Esta garantía le ofrece derechos legales específicos.  
Puede que tenga otros derechos que varían de un país a otro.

©2007 Bushnell Outdoor Products

## Nota de la FCC:

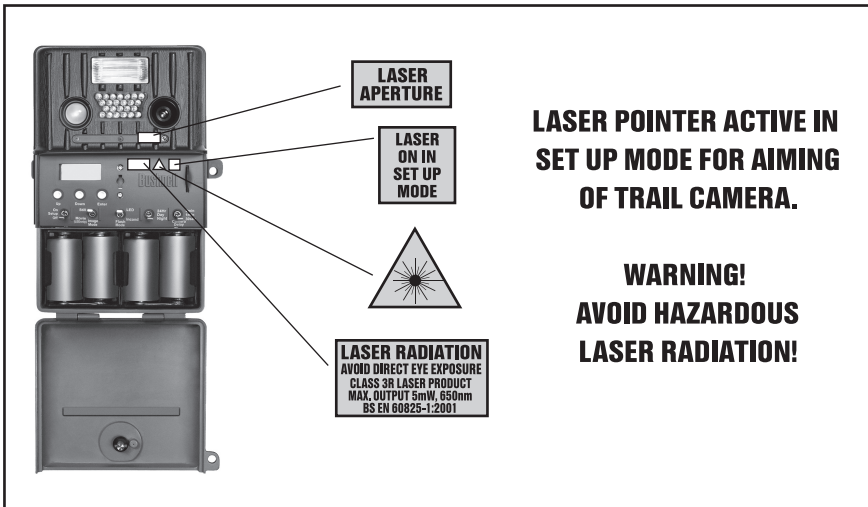
Este equipo ha sido sometido a pruebas y cumple con los límites establecidos para un aparato digital de Clase B, de acuerdo con la Parte 15 del Reglamento de la FCC. Estos límites están diseñados para proporcionar protección razonable contra interferencias perjudiciales en una instalación residencial. Este equipo genera, emplea y puede irradiar energía de radiofrecuencia y, si no se instalada y utiliza de acuerdo con las instrucciones, puede causar interferencia perjudicial a las radiocomunicaciones. Sin embargo, no garantizamos que no ocurrirán interferencias en una instalación en particular. Si este equipo causa interferencias perjudiciales a la recepción radial o televisiva, situación que puede determinarse apagando y encendiendo el equipo, se sugiere al usuario que trate de corregir tal interferencia mediante uno o más de las siguientes medidas:

- Reorientar o relocalizar la antena receptora.
- Incrementar la separación entre el equipo y el receptor.
- Conectar el equipo a un tomacorriente en un circuito diferente al que está conectado el receptor.
- Consultar con el concesionario o un técnico experimentado en radio/televisión solicitándole asistencia.

Con este equipo se debe usar un cable de interfaz blindado para cumplir con los límites para un aparato digital de acuerdo con la Subparte B de la Parte 15 del Reglamento de la FCC.

Las especificaciones y diseños están sujetos a cambios sin ningún aviso u obligación por parte del fabricante.





**Puntero láser activo en la modalidad de configuración para apuntar la cámara.**

**¡Advertencia! ¡Evite radiación láser peligrosa!**



**FR****Participons à la protection de l'environnement !**

- ① Votre appareil contient de nombreux matériaux valorisables ou recyclables.
- ➔ Confiez celui-ci dans un point de collecte ou à défaut dans un centre service agréé pour que son traitement soit effectué.

**UK  
IE****Environment protection first !**

- ① Your appliance contains valuable materials which can be recovered or recycled.
- ➔ Leave it at a local civic waste collection point.

**DE  
AT****Schützen Sie die Umwelt!**

- ① Ihr Gerät enthält mehrere unterschiedliche, wiederverwertbare Wertstoffe.
- ➔ Bitte geben Sie Ihr Gerät zum Entsorgen nicht in den Hausmüll, sondern bringen Sie es zu einer speziellen Entsorgungsstelle für Elektrokleingeräte (Wertstoffhof).

**BE****Participons à la protection de l'environnement !**

- ① Votre appareil contient de nombreux matériaux valorisables ou recyclables.
- ➔ Confiez celui-ci dans un point de collecte ou à défaut dans un centre service agréé pour que son traitement soit effectué.

**Samen het milieu beschermen !**

- ① Uw toestel bevat meerdere recycleerbare materialen
- ➔ Breng deze naar een containerpark of naar een erkend service center, bevoegd voor de recycling.

**DK****Vi skal alle være med til at beskytte miljøet!**

- ① Apparatet indeholder mange materialer, der kan genvindes eller genbruges.
- ➔ Bring det til et specialiseret indsamlingssted for genbrug eller et autoriseret serviceværksted, når det ikke skal bruges mere.

**ES****¡ ¡ Participe en la conservación del medio ambiente ! !**

- ① Su electrodoméstico contiene materiales recuperables y/o reciclables.
- ➔ Entréguelo al final de su vida útil, en un Centro de Recogida Específico o en uno de nuestros Servicios Oficiales Post Venta donde será tratado de forma adecuada

**FI****Huolehtikaamme ympäristöstä!**

- ① Laitteesi on varustettu monilla arvokkailla ja kierrätettävillä materiaaleilla.
- ➔ Toimita laitteesi keräyspisteeseen tai sellaisen puuttuessa vaikka valtuutettuun huoltokeskukseen, jotta laitteen osat varmasti kierrätetään.

**GR****Ας συμβάλουμε κι εμείς στην προστασία του περιβάλλοντος!**

- ① Η συσκευή σας περιέχει πολλά αξιοποιήσιμα ή ανακυκλώσιμα υλικά.
- ➔ Παραδώστε τη παλιά συσκευή σας σε κέντρο διαλογής ή ελεήσει τέτοιου κέντρου σε εξουσιοδοτημένο κέντρο σέρβις το οποίο θα αναλάβει την επεξεργασία της.

**PR****Proteção ao meio ambiente em primeiro lugar!**

- ① Seu aparelho inclui materiais valiosos, que podem ser reciclados ou recuperados.
- ➔ Deixe-o em um ponto de coleta de resíduos local.





## NOTAS DE OPERACIÓN SUPLEMENTARIAS

- La LCD que muestra “ENTER SUSPEND” significa que el sistema va a suspender la actividad (modalidad latente para ahorrar energía de las pilas).
- Después de fijar K1 en ON, el sistema empezará a funcionar después de una demora de dos minutos. Si no se detecta ninguna actividad en tres minutos, el sistema se pondrá en SUSPENSIÓN. Cuando el PIR detecte actividad, la cámara se activará de inmediato.
- La LCD que muestre “RESUME” (reanudar) significa que el sistema está activo.
- El cambio de pilas en un plazo de 20 segundos anulará la necesidad de reajustar la fecha y la hora.





## Deutsch

Herzlichen Glückwunsch zum Erwerb Ihrer Bushnell® Digital Trail Scout™-Kamera! Diese wetterfeste, robuste Überwachungskamera mit den Betriebsmodi Standbild und Film wurde entwickelt, um die Aktivitäten von Tieren in der freien Wildbahn festzuhalten. Diese Gebrauchsanweisung enthält umfassende Informationen zur Bedienung der Kamera.

### **Merkmale der digitalen Trail Scout Kamera von Bushnell (alle Modelle)**

Die Digitalkamera Trail Scout von Bushnell bietet revolutionäre Innovationen auf dem Gebiet der Überwachungstechnik und erfüllt sämtliche Ansprüche. Diese Überwachungskamera verfügt über eine der benutzerfreundlichsten Schnittstellen der Branche und ist mit einem Kippschalersystem ausgestattet, das dem Bediener augenblicklich die Kameraeinstellungen anzeigt – kein Herumtüfteln mehr mit verwirrenden Software-Schnittstellen! Das integrierte Sicherheitssystem verfügt über vier Sicherheitsstufen. Jede Trail Scout wird komplett mit Vorhängeschloss, Kabelschloss, Baumhalterung zum Anschrauben und diebstahlsicherem Software-Passwort geliefert. Die hochauflösende Digitalkamera liefert gestochen scharfe Aufnahmen von Wild in der Umgebung und versieht sämtliche Bilder mit Datum, Uhrzeit, Ihrem Namen und sogar der Mondphase. Neben dem normalen Bildmodus steht ein Filmmodus für 15-sekündige Video-Clips zur Verfügung (bei den Modellen 119935/119905 auch mit Ton). Die Kamera kann tagsüber, nachts oder rund um die Uhr eingesetzt werden und erfasst Tiere im Umkreis bis zu 13,5 Metern. Der überdimensionierte (standardmäßige) Xenonblitz hat eine Reichweite von 9 Metern. Die Einstelloptionen zur Aufnahmeverzögerung umfassen 30 Sekunden, 1 Minute und 2 Minuten. Das innovative LCD mit Hintergrundbeleuchtung macht die Einstellung der Kamera vor Ort kinderleicht. Die Trail Scout ist wetterbeständig und robust.



## DIGITAL TRAIL SCOUT MODELLEN

### 119833—Digital Trail Scout 3,0 MP

Herausragende Bilder und Überwachungstechnik zu einem ausgezeichneten Preis-Leistungs-Verhältnis. Mit ihrem passiven Infrarotsensor spürt die Kamera Rotwild und andere Tiere in freier Wildbahn bis in 13,5 Metern Entfernung auf. Die Anzeige für niedrigen Batteriestand leuchtet auf, wenn die Batterielebensdauer unter 25 % sinkt. Eine Bewegungs-LED leuchtet auf, wenn der Sensor im normalen Bildmodus und während des Einstellungsmodus für die Zielfunktion Aktivität erfasst. Wetterfest. Stempelfunktion für Datum/Uhrzeit/Mondphase. Die Auslieferung erfolgt komplett mit Sicherheitskabel aus Flugzeugaluminium, Vorhängeschloss und Baumhalterung. Strukturierte, baumstammähnliche Oberfläche für maximale Tarnung.

### 119935/119905 (RealTree AP® Camo) – Digitale Trail Scout 5,0 MP mit Nachtsichtfunktion

Diese digitale Überwachungskamera der Spitzenklasse verfügt zusätzlich zu allen Merkmalen der 3,0 MP Trail Scout noch über Nachtsicht- und weitere Funktionen. Standfotos werden mit einer Auflösung von 5 Megapixel (softwareinterpoliert) aufgenommen, und die Video-Clips erfolgen mit Tonaufnahme über ein integriertes Mikrofon. Es kann zwischen herkömmlichem Kamera-Blitzlicht und schwer erkennbarem LED-Blitz gewählt werden. Das LED-Blitzlicht ermöglicht die unauffällige Aufnahme von Wild in der Nacht ohne sichtbaren Blitz. Sie brauchen sich nicht zu sorgen, dass das Blitzlicht Ihren Standort in beliebten und stark frequentierten Jagdrevieren verrät. Es ist außerdem nicht notwendig, die Infrarotfiltereinstellung für Tag- bzw. Nachtmodus manuell zu wechseln, um optimale Resultate zu erzielen – diese Funktion wird automatisch für Sie ausgeführt. Diese Kamera enthält sogar eine Laser-Zielfunktion für die einfache Einstellung im Freien.

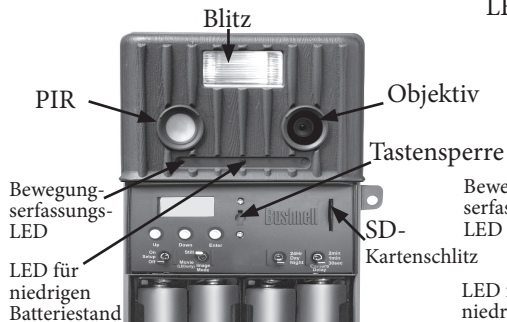


## TECHNISCHE DATEN DER DIGITALEN TRAIL SCOUT

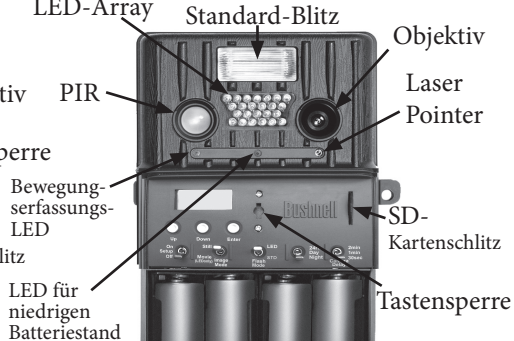
Bildsensor	1/2-Zoll-CMOS, 3,0 Millionen Pixel (bei Modellen 119935/119905 erfolgen Aufnahmen mit 5 MP Auflösung, softwareinterpoliert)
Objektiv	F/3.5, effektive Brennweite 42 mm. Sichtfeld: 45 Grad
Blitz	Leistungsstarker elektronischer Xenon-Blitz oder Infrarot-LED-Array mit 24 Lampen. Reichweite: 9 m.
PIR-Sensor	Geräuscharmer, hochempfindlicher passiver Infrarotsensor. Reichweite: 13,5 m.
LED-Bewegungsanzeige	Ja
Display	LCD mit Hintergrundbeleuchtung, 2 Zeilen x 8 Zeichen. Automatische Abschaltung: 3 min. 2-stellige Ereignis- und Bildanzeige.
Dateiformat	Standbild JPG (3,0 oder 5,0 Megapixel). Filmbilder AVI 320x 240 Pixel pro Bild. DCF-Format. 1.0 Dateimanagement.
Belichtung	Automatisch
Weißabgleich	Automatisch
Stromversorgung	4 „D“-Zellen-Batterien. Anzeige „Batteriestand niedrig“ bei 25 % Restleistung.
Batterielebensdauer	Ca. 30 Tage (abhängig von Temperatur, Kameraeinsatz und Blitzverwendung)
Benutzerpasswort	Ja, verfügbarer Bereich: 0000 bis 9999
Andere (nur 119935/119905)	Laser Pointer, IR-LED-Array für Nachtaufnahmen mit Infrarot-Abtastung



**119833**



Infrarot-LED-Array **119935/119905**



**Komponenten**



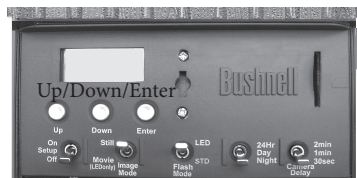
## Schalter und Einstellungsbeschreibung

119833 Bedienfeld



K1 K2 K3 K4

119935/119905 Bedienfeld



K1 K2 K3 K4 K5

\* siehe „Einstellen der Tageszeit“  
in der Einstellungsanleitung, um die  
voreingestellten Zeiten zu ändern

\*\* kann bei einigen Modellen

68 mit "Incard" beschriftet sein

119833	Schalterstellung/-einstellung		
Schalternr./-funktion	OBEN	MITTE	UNTEN
K1 (Betriebsmodus)	Ein	Einstellen	Aus
K2 (Bildmodus)	Standbild	-	Film
K3 (Modus Tag/Nacht)	24 Stunden	Tag (Standard = 6 -18 Uhr*)	Nacht (Standard = 18 -6 Uhr*)
K4 (Kameraverzögerung)	2 minuten	1 minuten	30 sekunden

119935/119905	Schalterstellung/-einstellung		
Schalternr./-funktion	OBEN	MITTE	UNTEN
K1 (Betriebsmodus)	Ein	Einstellen	Aus
K2 (Bildmodus)	Standbild	-	Film
K3 (Blitzmodus)	LED	-	Standard**
K4 (Modus Tag/Nacht)	24 Stunden	Tag (Standard = 6 -18 Uhr*)	Nacht (Standard = 18 -6 Uhr*)
K5 (Kameraverzögerung)	2 minuten	1 minuten	30 sekunden

*HINWEIS: (Nur Modelle 119935/119905: IMEINSTELLUNGSMODUS IST DER LASER POINTER AKTIVIERT. UMAUGENVERLETZUNGEN ZU VERHÜTEN, DARF DER LASER POINTER NICHT AUF DIE AUGEN EINER PERSON GERICHTET WERDEN.*

**Vor Beginn der Einstellung 4 alkalische Batterien der Größe „D“ gemäß der Anleitung im Batteriefach einsetzen.**


### 1. K1 - Modusschalter (AUS / EINSTELLEN/ EIN) :

a) **ON (Einschalten), (Stellung OBEN):** Stellen Sie den Schalter K1 in die Stellung ON.



EVENT nn
IMAGE nn

Das LCD-Display zeigt ca. 2 Sekunden lang „BUSHNELL“ an. Wenn die Tasten „Up“ (nach oben) und „Down“ (nach unten) gedrückt werden, werden auf dem LCD abwechselnd die Optionen DATE (Datum), TIME (Uhrzeit), EVENT (Ereignis) und IMAGE (Bild) angezeigt.



b) **SETUP (Einstellungsmodus): [Stellen Sie den Schalter K1 von der oberen (ON bzw. eingeschaltet) in die mittlere Stellung]:**

Drücken Sie die Taste „Up“ oder „Down“, um durch die Optionen DATE (Datum), TIME (Uhrzeit), NAME und PASSWORD (Passwort) zu blättern und diese Funktionen zu ändern oder einzustellen. Weitere Einzelheiten dazu sind auf den nächsten beiden Seiten zu finden.

c) **OFF (Ausschalten):** Wenn Sie den Schalter K1 auf „Off“ stellen, wird die Trail Scout Kamera ausgeschaltet.

<i>Anweisungen zur Montage sind im Abschnitt „Verwendung der Trail Scout“ der Gebrauchsanweisung zu finden.</i>
---

### Einstellungsanleitung (cont.)

(1) **SET DATE (Datum einstellen):** Drücken Sie zum Ändern des Datums die Taste ENTER, während auf dem LCD das Datum angezeigt wird. Wählen Sie mithilfe der Taste „Up“ oder „Down“ die gewünschte Ziffer zwischen 1 und 12 aus und drücken Sie die Taste ENTER, um den zweistelligen Monat zu bestätigen. Der Cursor springt dann zum Tag. Wählen Sie mithilfe der Taste „Up“ oder „Down“ die gewünschte Ziffer zwischen 1 und 31 aus und drücken Sie die Taste ENTER, um den zweistelligen Tag zu bestätigen. Der Cursor springt dann zum Jahr. Wählen Sie mithilfe der Taste „Up“ oder „Down“ die gewünschte Ziffer zwischen 0 und 99 aus und drücken Sie die Taste ENTER, um das zweistellige Jahr zu bestätigen. Drücken Sie von „Set Date“ aus die Taste „Down“, um die Uhrzeit einzustellen.

Set Date  
09/18/04

*Hinweis: Einzelheiten zur Mondphasen-Stempelfunktion, die mit dem hier eingestellten Datum verbunden ist, finden Sie unter „Weitere Hinweise zur Einstellung“.*

(2) **SET TIME (Uhrzeit einstellen):** Zum Ändern der Uhrzeit drücken Sie die Taste ENTER, während auf dem LCD die Uhrzeit angezeigt wird. Wählen Sie mithilfe der Taste „Up“ oder „Down“ die gewünschte Ziffer zwischen 1 und 12 aus und drücken Sie die Taste ENTER, um die zweistellige Stunde zu bestätigen. Der Cursor springt dann zu den Minuten. Wählen Sie mithilfe der Taste „Up“ oder „Down“ die gewünschte Ziffer zwischen 0 und 59 aus und drücken Sie die Taste ENTER, um die zweistellige Minute zu bestätigen. Drücken Sie von SET TIME aus die Taste „Down“, um den Namen einzustellen.

Set Time  
06: 30 PM

(3) **SET NAME (Namen einstellen):** Um den Namen zu ändern, drücken Sie die Taste ENTER, während auf dem LCD der aktuelle Name angezeigt wird. Wählen Sie mithilfe der Taste „Up“ oder „Down“ das gewünschte Zeichen aus „A“ bis „Z“, „0“ bis „9“ und „\_“ aus, und drücken Sie zur Bestätigung die Taste ENTER. Der Cursor rückt zum nächsten Zeichen vor. Es stehen 2 Zeilen mit je 8 Zeichen zur Verfügung. Drücken Sie von „Set Name“ aus die Taste „Down“, um das Passwort zu ändern.

MY NAME  
555\_1234

(4) **EINSTELLEN VON PASSWORD (Passwort):**

Password  
Set

#### (4) EINSTELLEN VON PASSWORT (cont.):

#### Einstellungsanleitung (cont.)

Password  
Yes

Drücken Sie zum Einstellen des Passworts die Taste ENTER, während auf dem LCD „Password Set“ angezeigt wird. Auf dem LCD wird „Password Yes“ angezeigt. Drücken Sie zum Ändern des Passworts die Taste Enter. Wenn Sie kein Passwort einstellen möchten, können Sie die Taste „Up“ oder „Down“ drücken und NO (Nein) auswählen. Wenn YES (Ja) gewählt wurde, zeigt das LCD „New Pswd“ (neues Passwort) an. Wählen Sie mithilfe der Taste „Up“ oder „Down“ die erste Ziffer des Passworts zwischen 0 und 9 aus. Drücken Sie zur Bestätigung ENTER. Der Cursor rückt zur nächsten Ziffer nach rechts vor. Wiederholen Sie das Verfahren mithilfe der Tasten „Up“, „Down“ und „Enter“, um das vierstellige Passwort einzugeben. Drücken Sie zur Bestätigung ENTER. Wenn Sie kein Passwort einstellen möchten, wenn das LCD „PW YES“ anzeigt, können Sie die Taste „Up“ bzw. „Down“ drücken, um „No“ (Nein) auszuwählen. Nachdem Sie die ENTER-Taste gedrückt haben, zeigt das LCD-Display „PW NO“ an, und es wird kein Passwort eingestellt. Wenn Sie die Einstellung abgeschlossen haben, bringen Sie den Schalter K1 in die Stellung ON (EIN, oben), und nach 2 Minuten Verzögerung ist die Kamera betriebsbereit.

New Pswd  
0 0 0 0

Password  
None

(5) **Einstellen von DAY TIME (Tageszeit):** (Hinweis: Diese Einstellung bestimmt den Zeitraum, in dem Fotos sowohl nur im Modus DAY (Tag) als auch nur im Modus NIGHT (Nacht) aufgenommen werden, und schaltet automatisch einen Infrarot-Filter um – siehe Nr. 4 unter „Weitere Hinweise zur Einstellung.“)

Day Time  
07 -- 18

Drücken Sie zum Einstellen des Bereichs von DAY TIME (Tageszeit) die Taste ENTER, während auf dem LCD „Day Time“ angezeigt wird. Auf dem LCD werden die ersten beiden Ziffern im Modus DAY TIME unterstrichen angezeigt. Drücken Sie die Taste „Up“ oder „Down“, um die Zeit der 24-Stunden-Uhr auf die gewünschte Anfangsstunde für DAY TIME einzustellen. Drücken Sie ENTER, um die Anfangszeit für DAY TIME einzustellen. Anschließend rückt der Unterstrich zum zweiten Paar Ziffern im Modus DAY TIME vor. Drücken Sie die Taste „Up“ oder „Down“, um die Zeit der 24-Stunden-Uhr auf die gewünschte Stunde für das Ende von DAY TIME einzustellen. Drücken Sie ENTER, um die Zeit für das Ende von DAY TIME einzustellen. DAY TIME ist jetzt definiert (NIGHT [Nacht] ist definiert als der Zeitraum zwischen dem Ende und dem Anfang von DAY (Tag). Wenn Sie keine eigenen Einstellungen für DAY (Tag) vorgeben, wird eine Standardeinstellung von 6 bis 18 Uhr verwendet.

*Beispiel: 07–18 definiert DAY (Tag) auf der 24-Stunden-Uhr als um 7 beginnend und um 18 Uhr endend.*

## Einstellungsanleitung (cont.)

### 2. K2 – Schalter für Image Mode (Bildmodus) [STILL (Standbild) – MOVIE (Film)]:

Stellen Sie den Schalter K2 auf eine dieser Optionen ein:

(OBEN ) STILL (Standbild-Modus): Die Bildauflösung beträgt 3,0 MP (119833) oder 5,0 MP (119935/119905), und die Fotos werden im JPG-Format gespeichert.

(UNTEN) MOVIE (Filmmodus): Die Kamera kann einen 15-sekündigen Film aufnehmen. Das Dateiformat ist AVI (bei den Modellen 119935/119905 mit Ton).

*HINWEIS: Wenn beim Modell Nr. 119833 der Modus NIGHT (Nacht) und der Modus MOVIE (Film) zusammen verwendet werden, resultiert das in dunklen Videos, da der Xenon-Blitz im Modus MOVIE nicht funktioniert. Bei den Modellen 119935/119905 können die Modi NIGHT und MOVIE zusammen verwendet werden, indem der Schalter K3 (Beleuchtungsmodus) auf die Stellung LED gestellt wird (das standardmäßige Xenon-Blitzlicht funktioniert im Modus MOVIE nicht).*

*Hinweis: Zusätzliche Informationen sind unter Nr. 4 in „Weitere Hinweise zur Einstellung“ zu finden.*

### 3. K3 – [Schalter „Flash Mode“ (Blitzmodus)] (LED – Standard): (nur Modelle 119935/119905)

Die Wildkamera verfügt über zwei Modi, mit denen ausgewählt wird, welcher Blitztyp unter dunklen Bedingungen ausgelöst wird: (a) LED-Modus (Infrarot-LED-Array): Das LED-Infrarotlicht ist mit bloßem Auge nicht erkennbar, bietet jedoch Beleuchtung für die Kamera. Es wird verwendet, wenn das beobachtete Objekt die Kamera nachts nicht bemerken soll. Dieser Modus kann auch für nächtliche Filmaufnahmen verwendet werden. Während des als „Nacht“ definierten Zeitraums wird automatisch ein Infrarot-Abschirmungsfilter deaktiviert, sodass das von den LEDs erzeugte Infrarotlicht ein Bild erzeugen kann. Während des Tages („Day“) wird der Infrarot-Abschirmungsfilter wieder aktiviert. Daher sollten Sie die „Standard“ (Xenon-Blitz)-Stellung verwenden, um optimale Resultate zu erzielen, wenn die Kamera auf den Zeitmodus „nur Tag“ eingestellt ist. (b) STD (Standard-Modus): (Xenon-Blitzröhre) *Hinweis: Diese Schalterstellung kann bei einigen älteren Modellen mit „Incand“ an Stelle von „STD“ beschriftet sein.* Der Standardmodus kann bei Dämmerungslicht bzw. Wolken oder zur Aufnahme von farbigen Standfotos in der Nacht verwendet werden. Wenn Sie den Filmmodus MOVIE verwenden möchten, können Sie nicht den Standard-Blitzmodus verwenden, sondern müssen den Schalter K3 auf LED stellen.

## Einstellungsanleitung (cont.)

### 4. K3 (Modell 119833) – MODI 24Hr (24 Stunden), DAY (Tag), NIGHT (Nacht):

#### K4 (Modelle 119935/119905) – MODI 24Hr (24 Stunden), DAY (Tag), NIGHT (Nacht):

Die Trail Scout Kamera verfügt über drei Modi für den Betriebszeitraum:

(a) **24Hr (24 Stunden):** Die Überwachungskamera ist sowohl tags als auch nachts betriebsbereit. Wenn der PIR (passiver Infrarot-Sensor) ein Objekt erfasst, nimmt die Kamera ein Foto auf und zeichnet ein Ereignis auf.

(b) **DAY (Tag):** Die Überwachungskamera nimmt nur während der Tageszeit Fotos auf (benutzerdefinierter Zeitraum für Tagesanfang bzw. -ende oder voreingestellter Zeitraum 6 bis 18 Uhr). Wenn der PIR-Sensor ein Objekt erfasst, nimmt die Kamera ein Foto auf und zeichnet ein Ereignis auf. Wenn der PIR-Sensor zwischen Tagesende und Tagesanfang ausgelöst wird, wird nur ein Ereignis aufgezeichnet, es wird kein Foto aufgenommen.

(c) **NIGHT (Nacht):** Die Überwachungskamera nimmt nur während der Nacht Fotos auf (benutzereingestellter Zeitraum von Tagesende bis Tagesanfang oder voreingestellter Zeitraum 18 bis 6 Uhr). Wenn der PIR-Sensor ein Objekt erfasst, nimmt die Kamera ein Foto auf und zeichnet ein Ereignis auf. Wenn der PIR-Sensor während der Tageszeit („Day“) ausgelöst wird, wird nur ein Ereignis gespeichert, es wird kein Foto aufgenommen.

### 5. K4 (Modell 119833) – (30s/1min/2min) MODUS „CAMERA DELAY“ (Kameraverzögerung)

#### K5 Modelle 119935/119905) – (30s/1min/2min) MODUS „CAMERA DELAY“ (Kameraverzögerung):

Es stehen drei Modi für verzögerte Bildaufnahmen zur Verfügung: 30 s, 1 min und 2 min. Immer wenn der PIR-Sensor Bewegung erfasst, während sich die KAMERA im MODUS DELAY (Verzögerung) befindet, zeichnet die Kamera Ereignisse auf.

(a) 30 s: 30 Sekunden nach dem ersten Bild wird ein zweites Bild aufgenommen.

(b) 1 min: 1 Minute nach dem ersten Bild wird ein zweites Bild aufgenommen.

(c) 2 min: 2 Minuten nach dem ersten Bild wird ein zweites Bild aufgenommen.



## GLOSSAR

**PIR** – Passiver Infrarotsensor. Erfasst Bewegung wie ein typischer im Sicherheitsbereich verwendeter Bewegungsmelder. Zusätzlich zur Bewegung muss Infrarot-Energie (Wärme) vorhanden sein, um den Sensor auszulösen. So wird sichergestellt, dass lebende Tiere erfasst werden.

**Ereignis** – Der PIR-Sensor zählt jedes Erfassen von Bewegung als ein Ereignis. Ereignisse werden in einer Textdatei auf der SD-Karte aufgezeichnet. Ereignisse werden während des Betriebs kontinuierlich aufgezeichnet.

**Bild** – Ein digitales Bild, das bei Erfassen von Bewegung auf der SD-Karte gespeichert wird. Bilder werden zu den gewünschten Verzögerungszeiten zwischen Bildern aufgenommen.

**Aufnahmeverzögerung** – Die während der Erfassung und Aufzeichnung von Ereignissen zwischen Bildaufnahmen verstrichene Zeit. Diese Option wird vom Benutzer in Abhängigkeit von der Wildaktivität in der Gegend eingestellt.

**IR-Blitz** – IR-LED-Array – Infrarot-LED-Nachtsichtfunktion. Strahlt ein für das menschliche Auge unsichtbares Infrarotlichtbündel aus. Besonders nützlich für Nachtaufnahmen, wenn ein sichtbarer Blitz unerwünscht ist. (Nur bei Modellen 119935/119905 verfügbar.)

**Std (Standard-) Blitz** – Xenon-Blitzröhre, die bei schwachen Lichtverhältnissen oder Nachtaufnahmen verwendet wird. Wird bei Bedarf bei dunklem, bedecktem Himmel oder schwindendem Tageslicht automatisch ausgelöst.

**SD-Karte** – Speicherkarte zur Speicherung von Bildern und Ereignissen. Kompatibilität mit SD-Karten mit einer Speicherkapazität bis 1 GB (bei allen neuen Trail Scouts ist eine 128 MB-Karte im Lieferumfang enthalten).

**Batterielebensdauer** – Funktionszeit der Kamera im Einsatz. Abhängig von der Temperatur, der Anzahl der Aufnahmen und der Anzahl der Blitzlichtaufnahmen in dem jeweiligen Zeitraum.

**Einstellung** – Verwendung von Displaymenü und Tasten zum Einstellen von Datum/Uhrzeit, Standfoto oder Film und Passwort.

**Sicherheit** – Eine der wichtigsten Anforderungen an jede Überwachungskamera. Trail Scout Kameras verfügen über 4 Sicherheitsfunktionen: Vorhängeschloss, Baumhalterung, Kabelschloss und Software-Passwort.

**Auslösegeschwindigkeit** – Verzögerung zwischen dem Zeitpunkt, zu dem sich ein Objekt vor dem PIR-Sensor bewegt und der Bildaufnahme dieses Objekts. Alle Trail Kameras von Bushnell verfügen über eine Auslösegeschwindigkeit von unter einer Sekunde.





## WEITERE HINWEISE ZUR EINSTELLUNG

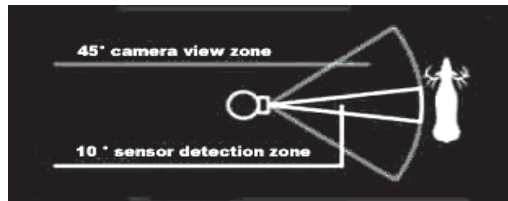
### 1. SD-KARTENSCHLITZ

Die Kamera verfügt über einen standardmäßigen SD-Kartenschlitz. Die SD-Karte wird mit dem SD-Kartenetikett zum Bushnell Logo hinweisend in den SD-Kartenschlitz eingeschoben. Durch nochmaliges Drücken wird die SD-Karte freigegeben und kann aus dem SD-Kartenschlitz entfernt werden. Die SD-Karte sollte nur eingesetzt bzw. entfernt werden, wenn die Kamera auf „OFF“ (Aus) gestellt ist.

### 2. PIR-SENSOR

Bei dem Sensor, mit dem die Überwachungskamera ausgelöst wird, handelt es sich um einen passiven Infrarot-Sensor, kurz PIR. Infrarot-Energie ist in erster Linie Hitzeenergie. Die Funktionsweise des PIR-Sensors beruht darauf, dass er eine Änderung in der Intensität der Infrarotstrahlung in seinem Erfassungsbereich erfasst. Hierbei handelt es sich um einen kegelförmigen 10-Grad-Bereich in der Mitte des Kamerasichtfelds. Die Kamera ermittelt eine durchschnittliche, langfristige Infrarotstrahlungsintensität. Wenn diese Intensität sich plötzlich erhöht, sendet der PIR-Sensor ein Befehlssignal zur Aufnahme eines Bildes und/oder eines Ereignisses an die Kamera. Aus diesem Grund reagiert der PIR-Sensor nachts, wenn die durchschnittliche Temperatur niedriger ist, empfindlicher.

Im Einstellungsmodus kann der PIR-Sensor zur Ermittlung des Erfassungsbereichs verwendet werden. Wenn der PIR erfasst wird, leuchtet die PIR-Sensor-Anzeigeleuchte auf. Das Sichtfeld der Kamera ist ein 45-Grad-Kegel, der mittig zum PIR-Erfassungsbereich ausgerichtet ist.





## Weitere Hinweise Zur Einstellung (cont.)

### 3. LASER POINTER (nur Modelle 119935/119905)

Trail Scout Kameras der Modelle 119935/119905 verfügen über einen Laser Pointer. Wenn Sie die Kamera an einem Baum oder einer anderen stationären Oberfläche befestigen und es nicht möglich ist, das Kamerasichtfeld aus einer Position hinter der Überwachungskamera zu überblicken, kann der Laser Pointer zur Ausrichtung der Kamera verwendet werden.

**HINWEIS: LASERLICHT KANN FÜR AUGEN GEFÄHRLICH SEIN. IM EINSTELLUNGSMODUS IST DER LASER POINTER AKTIVIERT. UM AUGENVERLETZUNGEN ZU VERHÜTEN, DARF DER LASER POINTER NICHT AUF DIE AUGEN EINER PERSON GERICHTET WERDEN**



### 4. AUTOMATISCHER TAG-/NACHT-IR-FILTERWECHSEL (nur Modelle 119935/119905)

Trail Scout Kameras der Modelle 119935/119905 verfügen über eine automatische Funktion, mit der während der als „Day“ (Tag) benutzerdefinierten Zeit (siehe „Einstellen der Tageszeit“ in der Einstellungsanleitung) im Kameraobjektiv ein Filter aktiviert wird. Dieser Filter dient zur Abschirmung von Infrarotlicht, damit Fotos, die bei Tageslicht oder (bei starkem Schatten oder spät am Tag) mit der standardmäßigen (Xenon)-Blitzröhre aufgenommen werden, ein normales Erscheinungsbild aufweisen. Dieser Infrarotfilter befindet sich in praktisch allen Digitalkameras, da deren Bildsensoren sowohl gegenüber Infrarotlicht als auch sichtbaren Lichtwellenlängen empfindlich ist. Während der als „Night“ (Nacht) definierten Zeitspanne (von Tagesende bis Tagesanfang) wird der Infrarotlicht-Abschirmungsfilter jedoch automatisch deaktiviert, d. h. aus dem Objektiv entfernt. Dies ermöglicht es dem LED-Array, das unsichtbares Infrarotlicht ausstrahlt, ein Bild auf dem CMOS-Sensor der Kamera zu erzeugen, wenn das IR-Licht ein Objekt vor dem Objektiv erleuchtet. Da der Infrarotfilter während des als „DAY“ definierten Zeitraums aktiviert ist, wird die Kombination aus Betriebsmodus „nur Tag“ und „LED“-Blitzmodus nicht empfohlen, da der Filter verhindert, dass das Infrarotlicht der LED den Sensor erreicht. Dunkle Fotos sind die Folge. Das Standardblitzlicht kann mit dem Modus „nur Nacht“ verwendet werden, doch können die Fotos aufgrund des deaktivierten Infrarotfilters leicht rosa oder rötlich erscheinen. Informationen dazu können der folgenden Tabelle entnommen werden:



## Weitere Hinweise Zur Einstellung (cont.)

Betriebsmodus	Blitz-Modus	Ergebnisse für Tagfotos	Ergebnisse für Nachtfotos	Empfohlene Kombination
Nur Tag	STD	Normale Farbe und Belichtung	<i>Keine Aufnahme von Fotos</i>	JA
Nur Nacht	LED	<i>Keine Aufnahme von Fotos</i>	Schwarz-weiß, gute Belichtung	JA
24 Stunden	LED	Normal, kann bei wolkigen Verhältnissen oder spät am Tag dunkel sein	Schwarz-weiß, gute Belichtung	Gut (bessere Ergebnisse bei Nacht, Blitz wird nicht bemerkt)
Nur Tag	LED	Kann bei wolkigen Verhältnissen oder spät am Tag dunkel sein	<i>Keine Aufnahme von Fotos</i>	NEIN
Nur Nacht	STD	<i>Keine Aufnahme von Fotos</i>	Leicht rosa oder rötliche Farbe	Verwendung OK
24 Stunden	STD	Normale Farbe und Belichtung	Leicht rosa oder rötliche Farbe	Gut (bessere Ergebnisse am Tag)

Neumond      zunehmend >      Vollmond      abnehmend >      Neumond



### 5. MONDPHASEN-STEMPEL

Alle neuen Trail Scout-Modelle verfügen über eine „Mondphasen“-Stempelfunktion. Hierdurch wird das aktuelle Datum (vom Benutzer beim Einstellverfahren eingestellt) mit der Mondphase zu diesem Datum verbunden (diese Daten sind auf einem internen Speicherchip enthalten) und das Symbol der bei der Aufnahme jeweils stattfindenden Mondphase wird auf das Foto geprägt. Das Mondphasensymbol erscheint unten links auf den Fotos, neben dem Namen und dem Bushnell Logo. Für einige Jäger ist das mit Sicherheit eine nützliche Information, da es bei der Feststellung hilft, ob bestimmte Tiere nachts bei Vollmond oder beinahe Vollmond inaktiv sind, da sie dann für Raubtiere sichtbar sind. Wenn einige Ihrer Nachtfotos einen scheinbar dunkleren oder helleren Hintergrund aufweisen (jenseits der Reichweite der LED-Lampen bzw. des Blitzes), können Sie außerdem prüfen, ob ein Zusammenhang mit der Mondhelligkeit zum Zeitpunkt der Aufnahme besteht. Die Symbole für die einzelnen Mondphasen sind oben dargestellt.



## VERWENDUNG DER TRAIL SCOUT

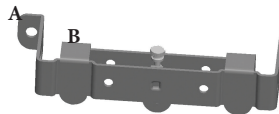
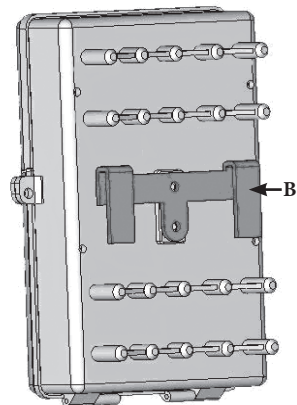
### 1. MONTAGE:

Montieren Sie die Überwachungskamera wie unten dargestellt am Baum.

1. Befestigen Sie die Halterung A mit Schrauben am Baum.
2. Schrauben Sie die Halterung B an die Rückseite der Überwachungskamera.
3. Richten Sie Halterung B mit Halterung A aus.
4. Hängen Sie dann die Halterung B über die Halterung A.
5. Als letzten Schritt bringen Sie nach Abschluss der Montage das Vorhängeschloss an und schließen es ab.

Zur zusätzlichen Sicherung können Sie das mitgelieferte Kabel ebenfalls um den Baum schlingen.

1. Führen Sie das Ende mit der großen Öse in die Halterung A ein.
2. Schlingen Sie das andere Kabelende dann um den Baum und zurück durch die Halterung.
3. Ziehen Sie die verstellbare Sicherungsschraube an, um das Kabel stramm zu fixieren (B).

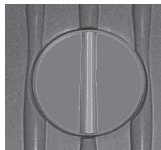




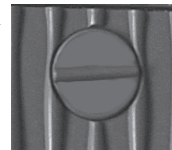
## Verwendung Der Trail Scout (cont.)

### 2. Zusammenfassende Informationen zum Einschalt- und Einstellungsschalter:

Drehen Sie den Knopf um 90° gegen den Uhrzeigersinn und öffnen Sie die vordere Abdeckung. Stellen Sie den Schalter auf die Stellung ON (Ein) und geben Sie das korrekte Passwort ein. Das voreingestellte Passwort lautet „0000“. (Wenn 3 Mal das falsche Passwort eingegeben wird, wird die Kamera automatisch ausgeschaltet. Wenn Sie die Kamera wieder einschalten möchten, müssen Sie den Schalter K1 auf OFF (Aus) und dann auf ON schalten.) Das LCD zeigt den aktuellen IMAGE&EVENT (Bild- und Ereignis)-Zähler an. Durch Drücken der Taste „Up“ (nach oben) oder „Down“ (nach unten) können Sie DATE (Datum), TIME (Uhrzeit) und NAME anzeigen. Wenn Sie das Datum, die Uhrzeit, den Namen oder das Passwort ändern möchten, stellen Sie den Schalter K1 auf SETUP (Einstellen). (In der EINSTELLUNGSANLEITUNG sind Einzelheiten dazu zu finden.) Nachdem Sie die Einstellung abgeschlossen haben, stellen Sie den Schalter K1 wieder in die Stellung ON. Die Kamera verzögert die Inbetriebnahme um 2 Minuten, um Ihnen das Verlassen des Bereichs zu ermöglichen. Die Funktionen der Schalter K2, K3 und K4 können im Modus SETUP oder ON eingestellt werden. Schließen Sie nach Abschluss der Einstellungen die vordere Abdeckung und drehen Sie den Knopf um 90° im Uhrzeigersinn. Zum Abschluss sichern Sie die Trail Scout mit einem Vorhängeschloss.



Zum Öffnen den  
Knopf 90° gegen den  
Uhrzeigersinn drehen



Zum Schließen den  
Knopf 90° im Uhrzei-  
gersinn drehen



## GEWÄHRLEISTUNGSFRIST ZWEI JAHRE

uf das von Ihnen erworbene Produkt der Firma Bushnell® gewähren wir eine zweijährige Garantie auf Materialmängel und Verarbeitung, gültig ab dem Kaufdatum. Falls während dieser Garantiezeit ein Mangel auftreten sollte, behalten wir uns die Entscheidung darüber vor, das Produkt zu reparieren oder zu ersetzen, unter der Voraussetzung, dass der Kunde das Produkt porto- und versandkostenfrei an uns zurückschickt. Diese Gewährleistung schließt keinerlei Schäden ein, die durch Missbrauch, unsachgemäßen Umgang, Einbau oder durch fehlerhafte Wartung verursacht wurden, und gilt ebenfalls nicht, wenn diese Tätigkeiten von anderen Personen als den durch die Kundendienstabteilung der Firma Bushnell hierfür autorisierten Personen durchgeführt wurden.

Jedliche Rücksendung, die in bezug auf diese Gewährleistung erfolgt, muss folgende Begleitpapiere enthalten:

- 1) Einen Scheck/Bargeld in Höhe von \$10.00 für die Porto- und Handlingkosten
- 2) Name und Adresse für Rücksendung des Produkts
- 3) Eine genaue Erläuterung des Mangels
- 4) Beleg des Kaufdatums
- 5) Das Produkt ist in einem stabilen Versandkarton gut zu verpacken, um Beschädigungen beim Transport zu vermeiden, die Postespesen für den Versand an nachstehend aufgeführte Adresse sind im Voraus zu entrichten:

Versandadresse für die U.S.A.:

Bushnell Outdoor Products  
z.H.: Reparaturabteilung  
8500 Marshall Drive  
Lenexa, Kansas 66214

Versandadresse für Kanada:

Bushnell Outdoor Products  
z.H. Reparaturabteilung  
25A East Pearce Street, Unit 1  
Richmond Hill, Ontario L4B 2M9

Was Produkte anbelangt, die nicht in den U.S.A. oder in Kanada gekauft wurden, erfragen Sie bitte die gültigen Garantiebedingungen bei Ihrem örtlichen Händler. Innerhalb Europas kann die Firma Bushnell unter folgender Adresse kontaktiert werden:

BUSHNELL Performance Optics GmbH  
European Service Centre  
MORSESTRASSE 4  
D- 50769 KÖLN  
DEUTSCHLAND  
Tel: +49 (0) 221 709 939 3  
Fax: +49 (0) 221 709 939 8

Diese Gewährleistung räumt Ihnen besondere juristische Rechte ein.  
Für die jeweiligen Länder gelten möglicherweise länderspezifische Rechte.

©2007 Bushnell Outdoor Products

## Anmerkung bezüglich FCC Richtlinien:

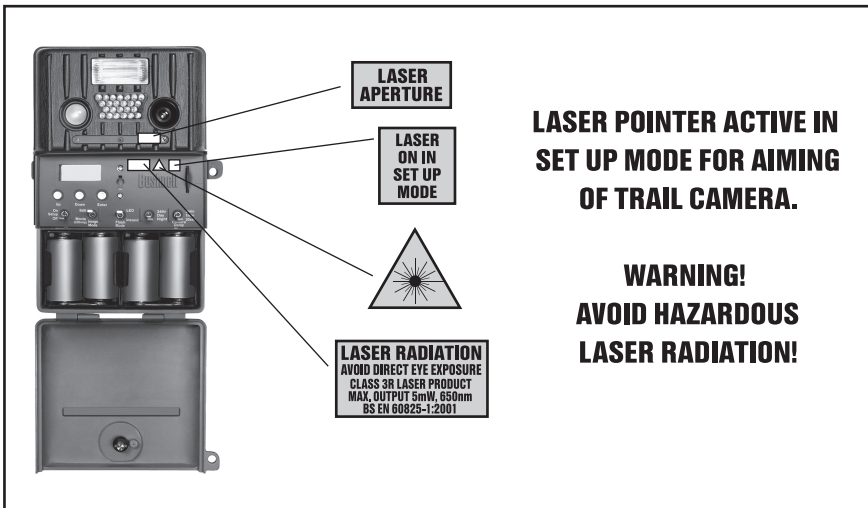
Dieses Gerät wurde getestet und es wurde als mit den Vorschriften für ein digitales Gerät der Klasse B übereinstimmend befunden, gemäß Teil B der FCC Vorschriften. Diese Vorschriften wurden entwickelt, um innerhalb eines Wohnhauses einen vernünftigen Schutz vor gefährlichen Interferenzen zu gewährleisten. Dieses Gerät erzeugt und verwendet Radiofrequenzenergie und kann diese ausstrahlen und, wenn diese nicht in Übereinstimmung mit der Bedienungsanleitung eingesetzt wird, kann es den Rundfunkverkehr empfindlich stören. Es gibt jedoch keinerlei Garantie dafür, dass die Störung in einer bestimmten Einrichtung nicht auftritt. Wenn dieses Gerät störende Auswirkungen auf den Radio- oder Fernsehempfang haben sollte, die durch Aus- und Einschalten des Gerätes festgestellt werden können, ist es für den Geräteeutzer möglich, eine Behebung der Störung mit Hilfe einer oder mehrerer der folgenden Maßnahmen zu erreichen:

- Neuausrichtung oder Neuplatzierung der Empfangsantenne.
- Das Gerät mit einem Ausgang eines Netzes verbinden, das in keinerlei Verbindung zu dem Netz steht, womit der Receiver verbunden ist.
- Fragen Sie den Fachhändler oder einen erfahrenen Radio- oder Fernsehtechniker um Rat.

Unter Beachtung der Vorschriften für ein digitales Gerät gemäß Unterartikel B des Abschnitts 15 der FCC Richtlinien ist ein abgeschirmtes Interface-Kabel mit dem Gerät zu verwenden.

Der Hersteller behält sich das Recht auf die Durchführung von Änderungen von Spezifikationen und Konstruktionsmerkmalen ohne jegliche vorherige Ankündigung oder Verpflichtung vor.





**Der Laser Pointer ist im Einstellungsmodus zur Ausrichtung der Überwachungskamera aktiv.**

**Warnung! Vermeiden Sie gefährliche Laserstrahlung!**



**FR****Participons à la protection de l'environnement !**

- ① Votre appareil contient de nombreux matériaux valorisables ou recyclables.
- ➔ Confiez celui-ci dans un point de collecte ou à défaut dans un centre service agréé pour que son traitement soit effectué.

**UK  
IE****Environment protection first !**

- ① Your appliance contains valuable materials which can be recovered or recycled.
- ➔ Leave it at a local civic waste collection point.

**DE  
AT****Schützen Sie die Umwelt!**

- ① Ihr Gerät enthält mehrere unterschiedliche, wiederverwertbare Wertstoffe.
- ➔ Bitte geben Sie Ihr Gerät zum Entsorgen nicht in den Hausmüll, sondern bringen Sie es zu einer speziellen Entsorgungsstelle für Elektrokleingeräte (Wertstoffhof).

**BE****Participons à la protection de l'environnement !**

- ① Votre appareil contient de nombreux matériaux valorisables ou recyclables.
- ➔ Confiez celui-ci dans un point de collecte ou à défaut dans un centre service agréé pour que son traitement soit effectué.

**Samen het milieu beschermen !**

- ① Uw toestel bevat meerdere recycleerbare materialen
- ➔ Breng deze naar een containerpark of naar een erkend service center, bevoegd voor de recycling.

**DK****Vi skal alle være med til at beskytte miljøet!**

- ① Apparatet indeholder mange materialer, der kan genvindes eller genbruges.
- ➔ Bring det til et specialiseret indsamlingssted for genbrug eller et autoriseret serviceværksted, når det ikke skal bruges mere.

**ES****¡ ¡ Participe en la conservación del medio ambiente ! !**

- ① Su electrodoméstico contiene materiales recuperables y/o reciclables.
- ➔ Entréguelo al final de su vida útil, en un Centro de Recogida Específico o en uno de nuestros Servicios Oficiales Post Venta donde será tratado de forma adecuada

**FI****Huolehtikaamme ympäristöstä!**

- ① Laitteesi on varustettu monilla arvokkailla ja kierrätettävillä materiaaleilla.
- ➔ Toimita laitteesi keräyspisteeseen tai sellaisen puuttuessa vaikka valtuutettuun huoltokeskukseen, jotta laitteen osat varmasti kierrätetään.

**GR****Ας συμβάλουμε κι εμείς στην προστασία του περιβάλλοντος!**

- ① Η συσκευή σας περιέχει πολλά αξιοποιήσιμα ή ανακυκλώσιμα υλικά.
- ➔ Παραδώστε τη παλιά συσκευή σας σε κέντρο διαλογής ή ελεήσει τέτοιου κέντρου σε εξουσιοδοτημένο κέντρο σέρβις το οποίο θα αναλάβει την επεξεργασία της.

**PR****Proteção ao meio ambiente em primeiro lugar!**

- ① Seu aparelho inclui materiais valiosos, que podem ser reciclados ou recuperados.
- ➔ Deixe-o em um ponto de coleta de resíduos local.





## ZUSÄTZLICHE HINWEISE ZUM BETRIEB

- Wenn auf dem LCD „ENTER SUSPEND“ (Anfang Betrieb aussetzen) angezeigt wird, bedeutet das, dass das System alle Aktivitäten einstellt (Schlafmodus zum Erhalten der Batterieleistung).
- Nachdem der Schalter K1 auf ON gestellt wurde, nimmt das System den Betrieb mit zweiminütiger Verzögerung auf. Wenn in drei Minuten keine Aktivität erfasst wird, stellt das System auf SUSPEND um. Wenn der PIR-Sensor Aktivität erfasst, wird die Kamera sofort aktiviert.
- Wenn auf dem LCD „RESUME“ (Wiederaufnahme) angezeigt wird, bedeutet das, dass das System aktiv ist.
- Wenn die Batterien innerhalb von 20 Sekunden gewechselt werden, müssen Datum und Uhrzeit nicht neu eingestellt werden.





## Italiano

Grazie per la preferenza accordataci acquistando la fotocamera digitale Bushnell® Trail Scout™! Questa fotocamera da esplorazione registra le attività della selvaggina nel suo habitat con le modalità foto e video, ed è robusta ed impermeabile. Questo manuale aiuta a capire a fondo il funzionamento della fotocamera.

### **Caratteristiche delle fotocamere digitali Bushnell Trail Scout (tutti i modelli)**

Dotata della più avanzata tecnologia per le fotocamere da esplorazione, la Bushnell Trail Scout digitale soddisfa in ogni senso. Con l'interfaccia utente di più semplice che esista, questa fotocamera ha un interruttore positivo a leva che informa istantaneamente su quali sono le impostazioni della fotocamera, senza doversi destreggiare con un'interfaccia software non chiara! Il sistema di sicurezza incorporato ha quattro livelli di sicurezza. Ogni Trail Scout viene consegnata con un lucchetto, un fermo per il cavo, una staffa da albero per avvitarsi una vite e una password del software per tenere alla larga potenziali ladri. La fotocamera digitale ad alta risoluzione cattura immagini nitide della selvaggina presente e appone sull'immagine la data, l'ora, il nome dell'utente ed anche la fase lunare. Oltre alla normale modalità fotografica, vi è anche la modalità video, che permette di riprendere brevi filmati di 15 secondi (con sonoro nei modelli 119935/119905). La fotocamera funziona di giorno, di notte o per tutte le 24 ore, e rileva selvaggina distante fino a 15 metri. Il flash standard allo xeno, di grandi dimensioni, arriva fino a 10 metri. Le impostazioni per il ritardo della ripresa fotografica sono: 30 secondi, 1 minuto e 2 minuti. L'innovativo LCD retroilluminato permette di configurare rapidamente la fotocamera sul posto. La Trail Scout è impermeabile e robusta.





### **119833—Digital Trail Scout 3.0MP**

Ottima fotocamera per la cattura di immagini ed esplorazione, ad un prezzo interessante. Questa fotocamera rileva la presenza di cervi ed altri animali ad una distanza massima di 15 metri, grazie al sensore passivo ad infrarossi. L'indicatore di bassa carica delle pile si accende quando la carica scende al di sotto del 25%. Il LED del movimento si accende quando il sensore rileva movimento, nel normale modo di immagini e durante l'impostazione per la mira. Impermeabile. Timbratura di Data/Ora/Fase lunare. Consegnata con cavo di sicurezza in alluminio da aerei, lucchetto e staffa per albero. Superficie in rilievo "a corteccia d'albero" per l'occultamento massimo della fotocamera.

### **119935/119905—(RealTree AP® camo)—Digital Trail Scout 5.0MP con Night Vision**

Dotata di tutte le caratteristiche del modello Trail Scout 3.0MP ed altre ancora, con in più la funzione Night Vision, questo è il modello più sofisticato delle fotocamere digitali da esplorazione. Le fotografie sono scattate con la risoluzione di 5 megapixel (tramite elaborazione software), mentre il video clip comprendono l'audio registrato da un microfono incorporato. Regolabile sul flash normale o su illuminazione segreta con LED. Il flash a LED permette di scattare immagini segrete della selvaggina senza un flash visibile. Nessun problema che il flash riveli la vostra posizione in aree molto frequentate dai cacciatori. Non è neppure necessario impostare un interruttore del filtro infrarossi per la modalità giorno o notte, per ottenere ottimi risultati: la fotocamera provvede a ciò automaticamente. Questa fotocamera è dotata anche di una funzione di puntamento laser, facilitando la sistemazione nel bosco.

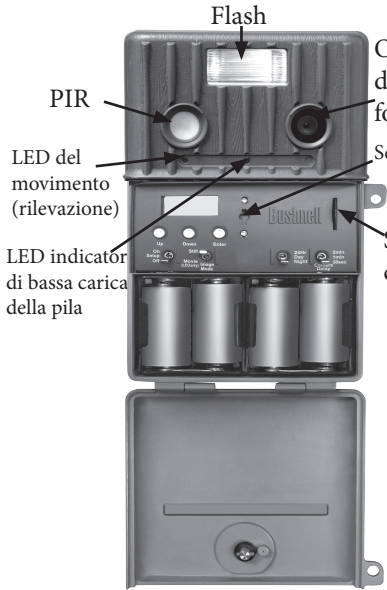


## SPECIFICHE DELLE FOTOCAMERE TRAIL SCOUT DIGITALI

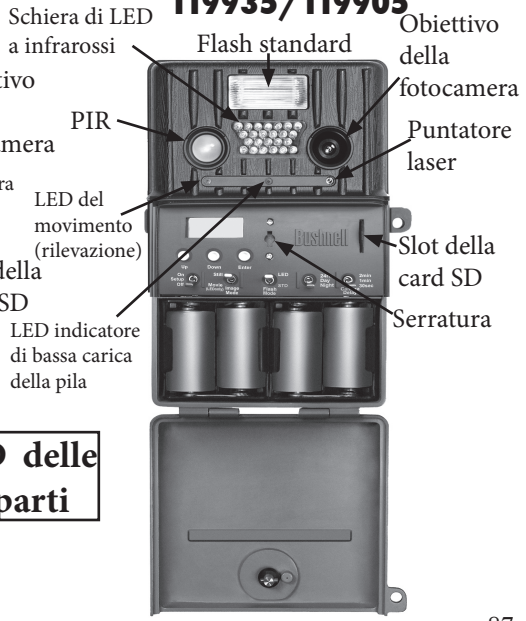
Sensore delle immagini	Sensore CMOS di 1/2", 3,0 milioni di pixel (i modelli 119935/119905 catturano le immagini con risoluzione 5MP tramite elaborazione via software)
Obiettivo	F/3.5, distanza focale efficace 42mm. Intervallo di osservazione: 45 gradi
Flash	Flash elettronico allo xeno di elevata potenza o schiera di LED a 24 lampade a raggi infrarossi. Campo: 9 m
Sensore PIR	Sensore passivo a infrarossi, ad alta sensibilità e basso rumore. Campo: 15 metri
Indicatore LED del movimento	Sì
Display	LCD a retroilluminazione, 2 file da 8 caratteri. Spegnimento automatico: 3 min. Visualizzazione a 2 cifre di eventi e immagini.
Formato dei file	Foto: JPG (3,0 o 5,0 megapixel). Filmati: AVI 320x240 pixel per fotogramma. Versione DCF. Gestione dei file 1.0.
Esposizione	Automatico
Bilanciamento del bianco	Automatico
Alimentazione	4 pile a elementi a "D". Indicatore di bassa carica delle pile (carica residua 25%).
Durata delle pile	Circa 30 giorni (a seconda della temperatura, dell'attività della fotocamera e dell'uso del flash)
Password utente	Sì, intervallo disponibile: da 0000 a 9999
Altro (119935/119905 solamente)	Puntatore laser, schiera di LED a raggi infrarossi per la cattura di immagini a infrarossi in visione notturna



# 119833



# 119935/119905



**ID delle parti**



## Descrizione della configurazione e degli interruttori

### 119833 Pannello di controllo



K1 K2 K3 K4

### 119935/119905 Pannello di controllo



K1 K2 K3 K4 K5

\* vedi "Impostazione Giorno Ora",  
in Guida per la configurazione, per  
cambiare gli orari predefiniti

\*\* su alcune unità può essere

88 indicato "Incand"

119833	Posizione/Impostazione degli interruttori		
Numero dell'interruttore/ Funzione	UP	CENTER	DOWN
K1 ((Modalità operativa)	Acceso	Impostazione	Funzione
K2 (Modalità Immagine)	Foto	-	Filmato
K3 (Modalità Giorno/Notte)	24 ore	Giorno (predefinito = ore 6 - 18*)	Notte (predefinito = ore 18 - 6**)
K4 (Camera Delay)	2 minuti	1 minuto	30 seconds

119935/119905	Posizione/Impostazione degli interruttori		
Numero dell'interruttore/ Funzione	UP	CENTER	DOWN
K1 ((Modalità operativa)	Acceso	Impostazione	Funzione
K2 (Modalità Immagine)	Foto	-	Filmato
K3 (Modalità Flash)	LED	-	Standard**
K4 (Modalità Giorno/Notte)	24 ore	Giorno (predefinito = ore 6 - 18*)	Notte (predefinito = ore 18 - 6**)
K5 (ritardo della ripresa)	2 minuti	1 minuto	30 seconds



## GUIDA PER LA CONFIGURAZIONE

**NOTA (solo per i modelli 119935/119905): IL PUNTATORE LASER VIENE ATTIVATO IN MODALITÀ CONFIGURAZIONE. PER EVITARE INFORTUNI, NON DIRIGERE MAI IL PUNTATORE LASER VERSO GLI OCCHI DELLE PERSONE.**

**Prima di iniziare l'impostazione, inserire 4 pile alcaline "D" come indicato nel vano delle pile.**

### 1. K1 – Interruttore della modalità (OFF / SETUP/ ON):

**a) Accensione (Posizione UP):** Impostare K1 sulla posizione ON. Il display LCD mostrerà "BUSHNELL" per circa 2 secondi.

EVENT nn  
IMAGE nn

L'LCD passerà in successione fra le visualizzazioni DATE\TIME\  
EVENT&IMAGE premendo i tasti Su e Giù.

**b) Modalità SETUP [spostare l'interruttore K1 dalla posizione alzata (ON) alla posizione centrale]:** Premere i pulsanti Up o Down per scorrere DATE, TIME, NAME e PASSWORD per modificare o impostare queste funzioni. Per maggiori informazioni, vedere le prossime due pagine.

**c) Spegnimento:** Impostare K1 su OFF. La Trail Scout sarà spenta

**Per istruzioni sul montaggio, vedere la sezione del manuale intitolata "Uso della Trail Scout".**



## Guida Per La Configurazione(cont.)

- (1) **SET DATE:** Quando sul display appare la data, premere ENTER per cambiare la data. Premere Up o Down per selezionare 1-12, quindi premere ENTER per confermare il mese a 2 cifre. Il cursore si sposta sul giorno. Premere Up o Down per selezionare 1-31, quindi premere ENTER per confermare il giorno a 2 cifre. Il cursore si sposta sull'anno. Premere Up o Down per selezionare 0-99, quindi premere ENTER per confermare l'anno a 2 cifre. Da Set Date, premere Down per impostare l'ora.

Set Date  
09/18/04

*Nota: Vedere "Altre note sulla configurazione" per informazioni sulla funzione d'indicazione della fase lunare, collegata alla data impostata qui.*

- (2) **SET TIME:** Quando sul display appare l'ora, premere ENTER per cambiare l'ora. Premere Up o Down per selezionare 1-12, quindi premere ENTER per confermare l'ora a 2 cifre. Il cursore si sposta sui minuti. Premere Up o Down per selezionare 0-59, quindi premere ENTER per confermare i minuti a 2 cifre. Da SET TIME, premere Down per impostare il nome.

Set Time  
06: 30 PM

- (3) **SET NAME:** Quando sul display appare il nome corrente, premere ENTER per cambiare il nome. Premere Up o Down per selezionare un carattere da "A" a "Z", da "0" a "9", "\_", quindi premere ENTER per confermare; il cursore si sposta al carattere successivo. Sono disponibili 2 righe di 8 caratteri ciascuna. Da Set Name premere Down per cambiare la password.

MY NAME  
555\_1234

- (4) **SET PASSWORD:**

Password  
Set

Quando sul display appare la data, premere ENTER per cambiare la password. Quando l'LCD mostra [Password Set], premere ENTER per impostare la password. L'LCD mostrerà [Password Yes]. Per cambiare la password, premere Enter. Se non si desidera impostare una password, premere Up o Down per selezionare NO. Se è stato selezionato YES, l'LCD mostra [New Pswd].

90

#### (4) SET PASSWORD (cont.):

Password  
Yes

New Pswd  
0 0 0 0

Password  
None

Premere Up o Down per selezionare la prima cifra della password, da 0-9. Premere ENTER per confermare; il cursore si sposta alla cifra successiva a destra. Ripetere la procedura usando UP, Down e Enter per immettere la propria password di 4 cifre. Premere ENTER per confermare. Se non si desidera impostare una password quando sul display appare (PW YES), premere Up / Down per selezionare No. Dopo aver premuto ENTER, il display mostra (PW NO); nessuna password sarà impostata. Terminata la configurazione (SETUP), spostare K1 sulla posizione ON (UP) e l'unità sarà operativa dopo 2 minuti.

(5) SET DAY TIME: (*Nota: Questa impostazione determina il periodo di tempo in cui le foto saranno scattate solo nelle modalità DAY e NIGHT, e attiva automaticamente un filtro infrarossi-vedi voce n.4 in "Altre note sulla configurazione"*)

Day Time  
07 -- 18

Quando sul display appare (Day Time), premere ENTER per impostare DAY TIME. L'LCD mostra sottolineate le prime 2 cifre nella modalità DAY TIME. Premere Up o Down per impostare l'ora nel formato 24 ore per la specifica ora d'inizio di DAY TIME desiderata. Premere ENTER per impostare l'ora d'inizio di DAY TIME. La sottolineatura passerà quindi al secondo gruppo di 2 cifre nella modalità DAY TIME. Premere Up o Down per impostare l'ora nel formato 24 ore per la specifica ora di fine di DAY TIME desiderata. Premere ENTER per impostare l'ora di fine di DAY TIME. DAY TIME è a questo punto definito (NIGHT viene definito come il periodo fra le ore di fine e inizio di DAY). Se non vengono definite impostazioni personalizzate per DAY, viene usato il periodo predefinito di 6AM-6PM.

*Esempio: 07—18 definisce DAY dalle 7AM alle 6PM (6PM=ore 18 nel formato delle 24 ore).*

#### Guida Per La Configurazione(cont.)



## Guida Per La Configurazione(cont.)

### 2. K2 – Interruttore Modalità Immagine (FOTO/FILMATO):

Regolare K2 su una delle seguenti impostazioni:

(UP) Modalità FOTO fissa La risoluzione dell'immagine è 3.0MP (119833) o 5.0MP (119935/119905) e le foto sono memorizzate in formato JPG.

(DOWN) Modalità FILMATO: La fotocamera registra un filmato di 15 secondi; il formato del file è AVI (con audio nei modelli 119935/119905).

*NOTA: Sul modello 119833, la combinazione della modalità NIGHT e MOVIE produrrà video scuri e il flash xeno non funzionerà in modalità MOVIE. Con i modelli 119935/119905, è possibile usare insieme le modalità NIGHT e MOVIE impostando l'interruttore K3 (modalità Illuminazione) sulla posizione LED (il flash standard allo xeno non funziona in modalità MOVIE).*

*Nota: vedi voce n.4 in “Altre note sulla configurazione” per ulteriori informazioni.*

**(Solo per i modelli 119935/119905)**

### 3. K3 – Interruttore Modalità Flash (LED/Standard):

La fotocamera Game ha due modalità che selezionano il tipo di flash che si attiverà in condizioni di oscurità:

(a) Modalità LED (schiera di LED a raggi infrarossi): La luce LED-IR (infrarossi) è invisibile a occhio nudo, ma fornisce illuminazione alla fotocamera; usarla quando non si vuole spaventare l'animale di notte. Questa modalità può essere usata anche per riprendere video di notte. Durante il periodo definito come “Night”, un filtro interno, che blocca la luce a infrarossi dal raggiungere il sensore digitale delle immagini, viene automaticamente disattivato, in modo che le luci IR generate dai LED possano creare un'immagine. Durante il giorno (“Day”), il filtro di blocco degli infrarossi viene riattivato; pertanto, per ottenere risultati migliori, quando la fotocamera è impostata sulla modalità Solo Giorno (“Day only”), usare il flash “Standard”, o allo xeno.

(b) Modalità STD (Standard): (tubo flash normale) *Nota: su alcune unità prodotte in precedenza, questo interruttore può essere denominato “Incand” invece di “STD”.* La modalità Standard può essere usata al crepuscolo o con cielo nuvoloso, o per riprendere foto a colori di notte. Se si desidera usare la modalità MOVIE, non è possibile usare la modalità flash Standard; K3 deve essere impostato sulla modalità LED.

**4. K3 (Modello 119833) – MODALITÀ (24Hr / DAY/ NIGHT):**

**K4 (Modello 119935/11905) – MODALITÀ (24Hr / DAY/ NIGHT):**

La fotocamera Trail Scout ha tre modalità per i periodi di funzionamento:

(a) **24Hr:** La fotocamera è operativa giorno e notte. Quando il sensore passivo a infrarossi (PIR, Passive Infra Red) rileva un soggetto, la fotocamera scatta una foto e registra un EVENTO.

(b) **DAY:** La fotocamera Trail scatta le foto solamente durante le ore del giorno (periodo di inizio – fine del giorno definito dall'utente, oppure periodo predefinito 6am-6pm). Quando il PIR rileva un soggetto, la fotocamera scatta una foto e registra un EVENTO. Se il PIR si attiva fra l'ora di fine e l'ora di inizio del giorno, viene registrato solo un EVENTO e non viene scattata un'immagine.

(c) **NIGHT:** La fotocamera Trail scatta le foto solamente durante le ore notturne (periodo di fine – inizio del giorno definito dall'utente, oppure periodo predefinito 6pm-6am). Quando il PIR rileva un soggetto, la fotocamera scatta la foto e registra un EVENTO. Se il PIR si attiva durante il periodo del giorno, viene registrato solo un EVENTO e non viene scattata un'immagine.

**5. K4 (Modello 119833) – MODALITÀ RITARDO FOTOCAMERA (30s/1Min/2Min)**

**K5 (Modello 119935/11905) – MODALITÀ RITARDO FOTOCAMERA (30s/1Min/2Min):**

Tre sono le modalità per scattare foto ritardate: 30 Sec, 1 Min e 2 Min.

L'unità registrerà EVENTI mentre la FOTOCAMERA è in MODALITÀ RITARDO ogni volta che il PIR rileva movimento.

(a) 30s: Dopo la prima foto, la seconda foto sarà scattata 30 secondi più tardi.

(b) 1 Min: Dopo la prima foto, la seconda foto sarà scattata 1 minuto più tardi.

(c) 2Min: Dopo la prima foto, la seconda foto sarà scattata 2 minuti più tardi.



## GLOSSARIO

**PIR** — Sensore passivo a infrarossi Rileva il movimento come un normale rilevatore di sicurezza del movimento. Affinché il sensore scatti e rilevi animali vivi, è necessaria la presenza di energia a raggi infrarossi (calore) che oltre al movimento.

**Evento**—Ogni volta che il PIR rileva un movimento, questo viene contato come un evento. Gli eventi sono registrati sulla SD card in un file di testo. Gli eventi sono registrati continuamente durante il funzionamento della fotocamera.

**Immagine**—Immagine digitale registrata sulla SD card quando viene rilevato il movimento. Le immagini sono prese all'intervallo (ritardo) desiderato fra le immagini.

**Ritardo Immagini**—Tempo trascorso fra le foto mentre gli eventi sono rilevato e registrati. Questo valore è fissato dall'utente in base all'attività della selvaggina nella zona.

**Flash IR**—Schiera di LED a raggi infrarossi - per la visione notturna mediante LED a raggi infrarossi. Emette una scarica luminosa a infrarossi invisibile all'occhio umano. Particolarmente utile per le foto notturne, quando non si preferisce il flash visibile. (presente solo nei modelli 119935/119905)

**Flash Std (Standard)**—Flash allo xeno usato per fotografare di notte o con scarsa illuminazione naturale. Si accende automaticamente se necessario in caso di oscurità, cielo nuvoloso o luce naturale scarsa verso il tramonto.

**SD Card**—Scheda di memoria usata per conservare immagini ed eventi. Compatibile con SD card di capacità massima di 1GB (tutte le nuove Trail Scout contengono una card da 128MB).

**Durata delle pile**—Tempo di funzionamento della fotocamera una volta attivata sul posto. Varia a seconda della temperatura, del numero di immagini riprese e dei flash durante quel periodo.

**Configurazione**—Usando il menu sul display e i pulsanti, si impostano la data e l'ora, le modalità foto o video e la password.

**Sicurezza**—Uno dei requisiti più importanti di qualsiasi fotocamera da esplorazione. Le fotocamere Trail Scout hanno 4 dispositivi di sicurezza: linguetta lucchetto, staffa per albero, blocco del cavo e password del software.

**Velocità d'innesco**—Intervallo di tempo fra il passaggio di un soggetto davanti al sensore PIR e la cattura dell'immagine del soggetto. Tutte le fotocamere Trail Bushnell hanno una velocità d'innesco inferiore a un secondo.





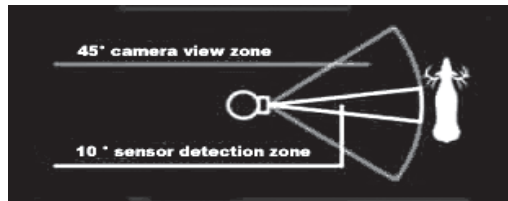
## ALTRE NOTE SULLA CONFIGURAZIONE

### 1. SLOT PER SD CARD

L'unità ha uno slot standard per SD card. Inserire la SD card nello slot apposito con l'etichetta rivolta al logo Bushnell. Spingendola di nuovo, la card si libera dallo slot e può essere rimossa. L'inserimento o la rimozione della SD card deve essere fatto quando l'unità è in posizione "OFF".

### 2. SENSORE PIR

Il sensore che attiva la fotocamera da esplorazione è a raggi infrarossi passivo, o PIR. L'energia a infrarossi è essenzialmente energia termica. Il rilevatore PIR funziona rilevando una variazione nel livello di infrarossi nella zona di rilevamento è installato. Questa zona è un cono nei 10 gradi al centro del campo visivo della fotocamera. La fotocamera stabilisce un livello medio di infrarossi a lungo termine. Quando detto livello aumenta improvvisamente, il rilevatore PIR segnala alla fotocamera di registrare un'immagine e/o un evento. Per questo motivo, il rilevatore PIR è più sensibile di notte, quando la temperatura media è più bassa. In modalità Configurazione, è possibile usare il rilevatore PIR per determinare la zona di rilevamento. Quando il PIR viene sensibilizzato, si accende la luce spia del rilevatore. Il campo visivo della fotocamera è un cono di 45 gradi, al centro della zona di rilevamento del PIR.





## Altre Note Sulla Configurazione (cont.)

### 3. PUNTATORE LASER (solo per i modelli 119935/119905)

La fotocamera Trail Scout modello 119935/119905 è dotata di puntatore laser. Quando l'unità viene montata su un albero o altra superficie fissa, e il puntamento non avviene da dietro la fotocamera, è possibile allineare l'unità usando il puntatore laser.

**NOTA: LA LUCE LASER È Potenzialmente Pericolosa per gli Occhi.**

**IL PUNTATORE LASER VIENE ATTIVATO IN MODALITÀ CONFIGURAZIONE.**

**NON PERMETTERE CHE IL PUNTATORE LASER SIA DIRETTO VERSO GLI OCCHI DI UNA PERSONA. CIÒ PER EVITARE POSSIBILI DANNI AGLI OCCHI.**



### 4. INTERRUPTORE AUTOMATICO DEL FILTRO IR GIORNO/NOTTE (solo per i modelli 119935 /119905)

La fotocamera Trail Scout modello 119935/119905 è dotata di una funzione automatica che attiva il filtro nel sistema ottico durante il periodo di tempo definito dall'utente come Giorno ("Day") (vedere "Impostazione Giorno Ora" in Guida per la configurazione). Lo scopo di questo filtro è di bloccare la luce a infrarossi, così che le foto scattate durante il giorno o con il flash standard (allo xeno) (in ombra intensa o al tramonto) avranno un aspetto normale. Questo filtro degli infrarossi si trova in tutte le fotocamere digitali, poiché i sensori delle immagini sono sensibili alla luce a infrarossi nonché alle lunghezze d'onda della luce visibile. Tuttavia, durante il periodo definito come Notte ("Night") (da ora di fine del giorno a ora di inizio del giorno), il filtro di blocco degli infrarossi viene automaticamente disattivato, o rimosso dal percorso della lente. Ciò permette alla schiera di lampade LED, che emette luce agli infrarossi invisibile, di creare un'immagine sul sensore CMOS della fotocamera quando la luce IR illumina un soggetto davanti all'obiettivo. Poiché il filtro degli infrarossi viene attivato durante il periodo diurno, la combinazione delle modalità "DAY only" e flash "LED" non è raccomandata, in quanto il filtro eviterà alla luce a infrarossi dal LED di raggiungere il sensore, producendo foto scure. Il flash standard può essere selezionato insieme alla modalità "NIGHT Only", ma le foto possono risultare leggermente di colore rosa o rossiccio a causa della disattivazione del filtro degli infrarossi. Fare riferimento alla tabella seguente:



## Altre Note Sulla Configurazione (cont.)

Modalità Operativa	Modalità Flash	Periodo Giorno Risultati delle foto	Periodo Notte Risultati delle foto	Combinazione raccomandata
Day Only	STD	Colore ed esposizione normali	Foto non scattate	SÌ
Night Only	LED	Foto non scattate	Bianco e Nero, buona esposizione	SÌ
24 ore	LED	Normale, possono essere scure con cielo nuvoloso o al tramonto	Bianco e Nero, buona esposizione	Buona (Migliori risultati notturni, flash non rilevato)
Day Only	LED	Possono essere scure con cielo nuvoloso o al tramonto	Foto non scattate	NO
Night Only	STD	Foto non scattate	Colore leggermente rosa o rossiccio	OK per l'uso
24 ore	STD	Colore ed esposizione normali	Colore leggermente rosa o rossiccio	Buona (Migliori risultati di giorno)

### 5. INDICAZIONE DELLE FASI LUNARI

Tutti i nuovi modelli Trail Scout indicano “la fase lunare” sulle immagini. La data corrente (impostata dall'utente nella procedura di configurazione) viene collegata alla fase lunare in quella stessa data (i relativi dati sono conservati in un chip di memoria interno); sulla foto viene stampata un'icona, che rappresenta la fase lunare al momento in cui è stata scattata la foto. L'icona della fase lunare apparirà sulle foto in basso a sinistra, accanto al nome dell'utente e al logo Bushnell. Alcuni cacciatori ritengono che questa funzione sia un utile riferimento, perché li aiuta a determinare se particolari animali sono inattivi di notte quando è presente una luna piena o quasi piena che li renderebbe più visibili ai predatori. Oppure, se alcune delle foto notturne sembrano avere uno sfondo più scuro o più chiaro (oltre la portata delle luci LED o del flash), è possibile vedere se tale fatto era da attribuire al grado di luminosità della luna presente al momento in cui le foto sono state scattate. Le icone delle varie fasi lunari sono mostrate sopra.



## USO DELLA FOTOCAMERA TRAIL SCOUT

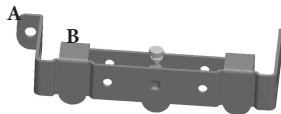
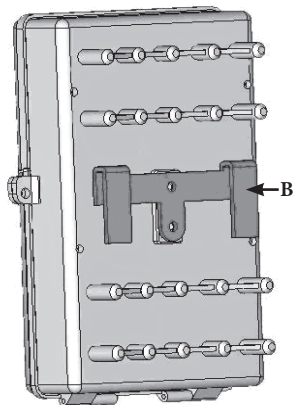
### 1. MONTAGGIO:

Montare la fotocamera sull'albero come mostrato qui sotto.

1. Avvitare la staffa A sull'albero.
2. Bullonare la staffa B sul retro della fotocamera.
3. Abbinare la staffa B con la staffa A.
4. Appendere la staffa B sopra la staffa A.
5. Inserire il lucchetto e la serratura al termine della configurazione.

Per maggiore sicurezza, è possibile usare l'accluso cavo da avvolgere attorno all'albero.

1. Inserire l'estremità con l'aletta grande nella staffa A.
2. Avvolgere l'altra estremità del cavo attorno all'albero e di nuovo attraverso la staffa.
3. Stringere il bullone di bloccaggio regolabile per tenere saldamente a posto il cavo (B).





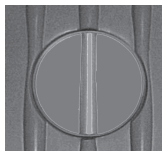
## Uso Della Fotocamera Trail Scout (cont.)

### 2. Sommario sugli interruttori di accensione e di configurazione (On e Setup):

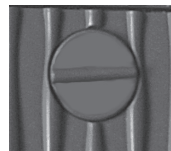
Ruotare la manopola di 90° in senso antiorario e aprire il pannello frontale. Impostare K1 in posizione ON. Immettere la password corretta. La password predefinita è "0000".

(se la password viene immessa in modo errato per 3 volte, l'unità si spegne automaticamente. Se si desidera attivare di nuovo l'alimentazione (K1 su On), mettere K1 prima su Off, quindi di nuovo su On)

L'LCD visualizzerà il contatore attuale di IMAGE&EVENT. Per vedere DATE, TIME, NAME, premere i pulsanti Up o Down. Se si desidera modificare DATE, TIME, NAME o la password, impostare K1 su Setup. (per informazioni, vedere GUIDA PER LA CONFIGURAZIONE). Dopo aver finito con Setup, mettere K1 di nuovo in posizione On. L'unità comincerà a funzionare dopo 2 minuti, per permettere all'utente di allontanarsi. Le funzioni di K2, K3 e K4 possono essere impostate in modalità Setup o On. Dopo aver finito con Setup, chiudere il pannello frontale e ruotare la manopola di 90° in senso orario. Infine, proteggere la Trail Scout con il lucchetto.



Per aprire, ruotare la manopola di 90° in senso antiorario



Per chiudere, ruotare la manopola di 90° in senso orario



## GARANZIA LIMITATA PER DUE ANNI

Si garantisce che questo prodotto Bushnell® sarà esente da difetti di materiale e fabbricazione per due anni a decorrere dalla data di acquisto. In caso di difetto durante il periodo di garanzia, a nostra discrezione ripareremo o sostituiamo il prodotto purché sia restituito franco destinatario. Sono esclusi dalla garanzia eventuali danni causati da abuso, maneggiamento improprio, installazione o manutenzione eseguiti da persone non autorizzate dal servizio di assistenza Bushnell.

A un prodotto restituito e coperto da questa garanzia occorre allegare quanto segue.

- 1) Assegno/ordine di pagamento per l'importo di 10 \$US per coprire i costi di spedizione.
- 2) Nome e indirizzo da utilizzare per la restituzione del prodotto.
- 3) Una spiegazione del difetto.
- 4) Scontrino riportante la data di acquisto.
- 5) Il prodotto deve essere imballato in una scatola robusta, per prevenire danni durante il trasporto, e va spedito franco destinatario a uno dei seguenti indirizzi.

Recapito negli Stati Uniti:  
Bushnell Outdoor Products  
Attn.: Repairs  
8500 Marshall Drive  
Lenexa, Kansas 66214

Recapito in Canada:  
Bushnell Performance Optics  
Attn.: Repairs  
25A East Pearce Street, Unit 1  
Richmond Hill, Ontario L4B 2M9

Per prodotti acquistati fuori degli Stati Uniti o del Canada, rivolgersi al rivenditore per le clausole pertinenti della garanzia. In Europa si può anche contattare la Bushnell a questo numero:

BUSHNELL Performance Optics GmbH  
European Service Centre  
MORSESTRASSE 4  
D- 50769 - Cologne  
Germania  
Tél: +49 (0) 221 709 939 3  
Fax: +49 (0) 221 709 939 8

Questa garanzia dà specifici diritti legali.  
Eventuali altri diritti variano da una nazione all'altra.  
©2007 Bushnell Outdoor Products

## Dichiarazione relativa alla normativa FCC (Federal Communications Commission)

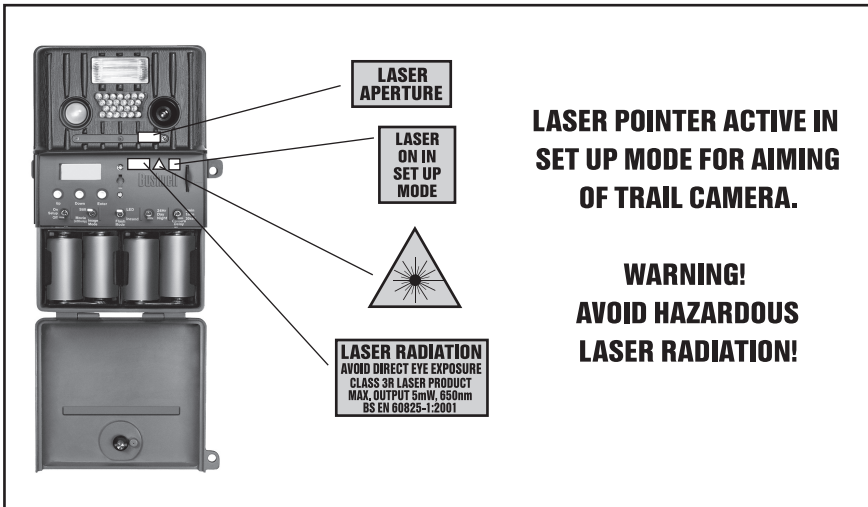
In base alle prove eseguite su questo apparecchio, se ne è determinata la conformità ai limiti relativi ai dispositivi digitali di Classe B, secondo la Parte 15 delle norme FCC. Tali limiti sono stati concepiti per fornire una protezione adeguata da interferenze pericolose in ambiente domestico. Questo apparecchio genera, utilizza e può irradiare energia a radiofrequenza e, se non installato e utilizzato secondo le istruzioni, può causare interferenze dannose per le comunicazioni radio. Tuttavia, non esiste alcuna garanzia che, in uno specifico impianto, non si verifichino interferenze. Se questo apparecchio causasse interferenze dannose per la ricezione dei segnali radio o televisivi, determinabili spegnendolo e riaccendendolo, si consiglia di tentare di rimediare all'interferenza con uno o più dei seguenti metodi.

- Cambiare l'orientamento dell'antenna ricevente o spostarla.
- Aumentare la distanza tra l'apparecchio e il ricevitore.
- Collegare l'apparecchio a una presa inserita in un circuito diverso da quello a cui è collegato il ricevitore.
- Rivolgersi al rivenditore o a un tecnico radio/TV qualificato.

Per soddisfare la conformità di questo apparecchio ai limiti relativi ai dispositivi digitali di Classe B, secondo la Parte 15 delle norme FCC occorre adoperare con esso un cavo di interfaccia schermato.

I dati tecnici e progettuali sono soggetti a modifiche senza preavviso o obbligo da parte del produttore.





**Puntatore laser attivo in modalità Setup per la mira della fotocamera.  
Avvertenza! Evitare pericolose radiazioni laser!**



**FR****Participons à la protection de l'environnement !**

- ① Votre appareil contient de nombreux matériaux valorisables ou recyclables.
- ➔ Confiez celui-ci dans un point de collecte ou à défaut dans un centre service agréé pour que son traitement soit effectué.

**UK  
IE****Environment protection first !**

- ① Your appliance contains valuable materials which can be recovered or recycled.
- ➔ Leave it at a local civic waste collection point.

**DE  
AT****Schützen Sie die Umwelt!**

- ① Ihr Gerät enthält mehrere unterschiedliche, wiederverwertbare Wertstoffe.
- ➔ Bitte geben Sie Ihr Gerät zum Entsorgen nicht in den Hausmüll, sondern bringen Sie es zu einer speziellen Entsorgungsstelle für Elektrokleingeräte (Wertstoffhof).

**BE****Participons à la protection de l'environnement !**

- ① Votre appareil contient de nombreux matériaux valorisables ou recyclables.
- ➔ Confiez celui-ci dans un point de collecte ou à défaut dans un centre service agréé pour que son traitement soit effectué.

**Samen het milieu beschermen !**

- ① Uw toestel bevat meerdere recycleerbare materialen
- ➔ Breng deze naar een containerpark of naar een erkend service center, bevoegd voor de recycling.

**DK****Vi skal alle være med til at beskytte miljøet!**

- ① Apparatet indeholder mange materialer, der kan genvindes eller genbruges.
- ➔ Bring det til et specialiseret indsamlingssted for genbrug eller et autoriseret serviceværksted, når det ikke skal bruges mere.

**ES****¡ ¡ Participe en la conservación del medio ambiente ! !**

- ① Su electrodoméstico contiene materiales recuperables y/o reciclables.
- ➔ Entréguelo al final de su vida útil, en un Centro de Recogida Específico o en uno de nuestros Servicios Oficiales Post Venta donde será tratado de forma adecuada

**FI****Huolehtikaamme ympäristöstä!**

- ① Laitteesi on varustettu monilla arvokkailla ja kierrätettävillä materiaaleilla.
- ➔ Toimita laitteesi keräyspisteeseen tai sellaisen puuttuessa vaikka valtuutettuun huoltokeskukseen, jotta laitteen osat varmasti kierrätetään.

**GR****Ας συμβάλουμε κι εμείς στην προστασία του περιβάλλοντος!**

- ① Η συσκευή σας περιέχει πολλά αξιοποιήσιμα ή ανακυκλώσιμα υλικά.
- ➔ Παραδώστε τη παλιά συσκευή σας σε κέντρο διαλογής ή ελεήσει τέτοιου κέντρου σε εξουσιοδοτημένο κέντρο σέρβις το οποίο θα αναλάβει την επεξεργασία της.

**PR****Proteção ao meio ambiente em primeiro lugar!**

- ① Seu aparelho inclui materiais valiosos, que podem ser reciclados ou recuperados.
- ➔ Deixe-o em um ponto de coleta de resíduos local.





## NOTE SUPPLEMENTARI SUL FUNZIONAMENTO

- Quando il display mostra “ENTER SUSPEND”, significa che il sistema sospenderà l’attività (modalità di riposo per risparmiare la carica delle pile).
- Dopo aver impostato K1 su On, il sistema comincerà a funzionare dopo 2 minuti. Se dopo tre minuti non viene rilevata alcuna attività, il sistema va in SUSPEND. Quando il PIR rileva attività, la fotocamera si attiva immediatamente.
- Quando sul display appare “RESUME”, significa che il sistema è attivo.
- Cambiando le pile entro 20 secondi si evita la necessità di reimpostare la data e l’ora.





## Português

Parabéns pela aquisição da câmara Bushnell® Digital Trail Scout™!

Esta câmara Trail é projetada para gravar atividades de caça de animais selvagens ao ar livre com seus modos de imagem still e filme. Sua construção é resistente e à prova d'água. Este manual de instruções tem por objetivo maximizar sua compreensão sobre como a câmara opera.

### **Recursos da Bushnell Digital Trail Scout (todos os modelos)**

A Bushnell Digital Trail Scout conta com um dos avanços mais revolucionários na tecnologia de exploração. Apresentando uma das interfaces de usuário mais amigável do setor, essa câmara Trail possui um sistema positivo de chave articulada que informa instantaneamente os ajustes da câmara, sem a necessidade de se lidar com interfaces de software complicadas! O sistema de segurança interno apresenta quatro níveis de segurança. A Trail Scout vem completa, com cadeado, trava de cabo, suporte para árvore e senha de software para dissuadir os ladrões. A câmara digital de alta resolução capta imagens nítidas de ações e coloca um carimbo com data, hora, seu nome e até mesmo a fase da lua em cada imagem. Além do modo de imagem regular, há um modo para clipes de filme com duração de 15 segundos (com som nos modelos 119935/119905). A câmara pode ser usada a qualquer momento, 24 horas por dia, e captar imagens até 14 metros de distância. O flash de xenônio superdimensionado (padrão) tem um alcance de 9 metros. Ajustes de retardo da imagem de 30 segundos, 1 minuto e 2 minutos. O LCD inovador, com luz de fundo, facilita imensamente a configuração da câmara no campo. Trail Scout é resistente e à prova d'água.

**119833—Digital Trail Scout 3.0MP**

Imagens extraordinárias e tecnologia de exploração a um preço excelente. Com seu sensor passivo infravermelho, essa câmara detectará cervos e outros animais até 14 metros de distância. O indicador de baixa carga das pilhas acende quando a carga estiver abaixo de 25%. O LED de movimento acende quando o sensor detectar atividade no modo de imagem normal e durante o modo de configuração para a pontaria. À prova de intempérie. Recurso de carimbo da Data/Hora/Fase da lua. Vem completa, incluindo cabo de segurança de alumínio para aeronave, cadeado e suporte para árvore. Superfície com textura similar à “casca de árvores” para dissimulação máxima.

**119935/119905 (RealTree AP® Camo)—Digital Trail Scout 5.0MP com visão noturna**

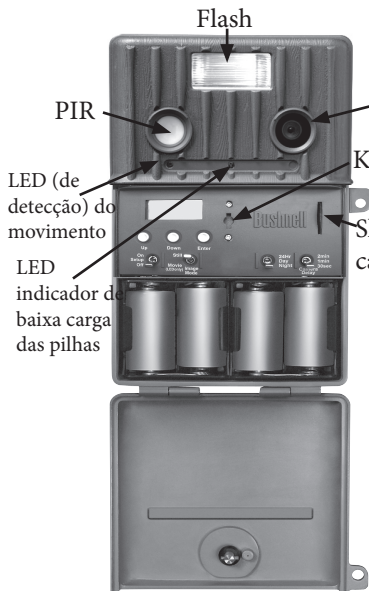
Incluindo todos os recursos da Trail Scout de 3.0MP, visão noturna e muito mais, essa é a melhor câmara da linha Trail digital. As fotografias still são armazenadas com uma resolução de 5 megapixels (por processamento de software) e os cliques incluem áudio gravado por um microfone interno. Selecione a configuração de flash de câmara normal ou flash LED “oculto”. Com o flash LED é possível captar imagens discretamente durante a noite sem que ele apareça. Não há necessidade de se preocupar com o fato de o flash identificar sua posição em áreas de caça populares e congestionadas. Não há necessidade de ajustar a chave de filtro infravermelho manualmente para o modo diurno ou noturno, para se obter os melhores resultados: isso é feito automaticamente. A câmara inclui também um recurso de pontaria laser para fácil configuração em áreas arborizadas e escuras.

## ESPECIFICAÇÕES DA DIGITAL TRAIL SCOUT

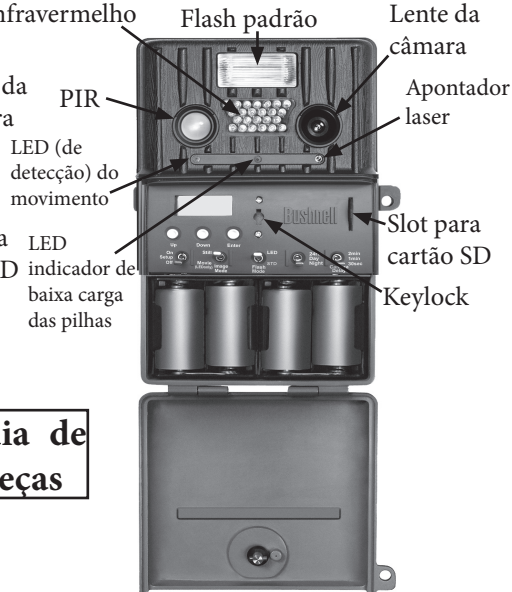
Sensor de imagem	CMOS (semicondutor de óxido metálico complementar) de 1/2", 3,0 milhões de pixels (os modelos 119935/119905) captam imagens com resolução de 5MP por processamento de software)
Lente	F/3.5, distância focal efetiva de 42 mm. Alcance de visão: 45 graus
Flash	Matriz de LED infravermelho de 24 lâmpadas ou flash eletrônico de xenônio de alta potência. Alcance: 9 metros.
Sensor PIR	Sensor infravermelho passivo de alta sensibilidade e silencioso. Alcance: 14 metros
Indicador LED de movimento	Sim
Display	LCD com luz de fundo, 2 linhas x 8 caracteres. Desligamento automático: 3 min.; display de imagem e eventos de 2 dígitos.
Formato do arquivo	Imagem still (estacionária) – JPG (3,0 ou 5,0 megapixels). Imagens de filme: AVI 320x240 pixels por quadro. Gerenciamento de arquivos DCF versão 1.0.
Exposição	Auto
Equilíbrio de branco	Auto
Alimentação de energia	4 pilhas tamanho "D". Indicador de baixa carga quando as pilhas se encontram com 25% de carga restante.
Tempo de duração das pilhas	Aproximadamente 30 dias (dependendo da temperatura, atividade da câmara e uso do flash)
Senha de usuário	Sim. Faixa disponível: 0000 a 9999
Outras (somente nos modelos 119935/119905)	Apontador laser, matriz de LED infravermelho para visão noturna infravermelha



## 119833



## Matriz de LED infravermelho 119935/119905

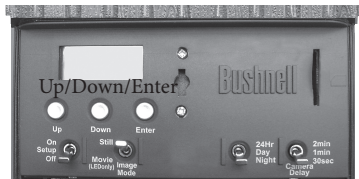


## Guia de peças



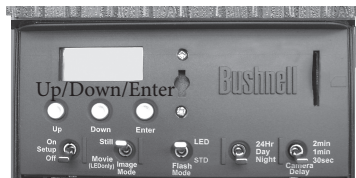
## Chave e descrição da configuração

### 119833 Painel de controle



K1 K2 K3 K4

### 119935/119905 Painel de controle



K1 K2 K3 K4 K5

\* consulte a seção "Ajuste da hora do dia" no Guia de Configuração quanto à mudança dos horários padrão

\*\* pode aparecer rotulado como "Incand" em alguns modelos

119833	Posição/configuração da chave		
No. da chave/ função	PARA CIMA	CENTRO	PARA BAIXO
K1 (Modo de operação)	Ligado	Configuração	Desligado
K2 (Modo de imagem)	Imagem still	-	Filme
K3 (Modo diurno/no- turno)	24 horas	Diurno (Padrão = 06h00 às 18h00*)	Noturno (Padrão = 18h00 às 6h00*)
K4 (Retardo de câmara)	2 minutos	1 minuto	30 segundos

119935/119905	Posição/configuração da chave		
No. da chave/ função	PARA CIMA	CENTRO	PARA BAIXO
K1 (Modo de operação)	Ligado	Configuração	Desligado
K2 (Modo de imagem)	Imagem still	-	Filme
K3 (Modo de flash)	LED	-	Padrão**
K4 (Modo diurno/no- turno)	24 horas	Diurno (Padrão = 06h00 às 18h00*)	Noturno (Padrão = 18h00 às 6h00*)
K5 (Retardo de câmara)	2 minutos	1 minuto	30 segundos

**NOTA (Somente para os modelos 119935/119905): O APONTADOR LASER É ATIVADO NO MODO DE CONFIGURAÇÃO. NÃO PERMITA QUE ELE SEJA APONTADO NA DIREÇÃO DOS OLHOS DE NENHUM INDIVÍDUO, PARA EVITAR POSSÍVEL LESÃO OCULAR.**

**Antes de iniciar a configuração, insira 4 pilhas alcalinas tamanho “D”, como indicado no interior do compartimento para pilhas.**

### 1. K1 – Chave de modos (DESLIGADO/CONFIGURAÇÃO/LIGADO):

**a) Força LIGADA (posição PARA CIMA):** Coloque K1 na posição LIGADA, o display LCD exibirá “BUSHNELL” por aproximadamente 2 segundos.



EVENT nn
IMAGE nn

Quando as teclas Para Cima e Para Baixo forem pressionadas, o LCD fará uma rotação pelos displays DATE\TIME\EVENT&IMAGE (DATA\HORA\EVENTO e IMAGEM)



**b) Modo SETUP (CONFIGURAÇÃO) [mude a chave K1 da posição PARA CIMA (LIGADA) para a posição central]:** Pressione os botões Para Cima ou Para Baixo para fazer a rolagem pelas seleções de DATE (DATA), TIME (HORA), NAME (NOME) e PASSWORD (SENHA) a fim de modificar ou ajustar essas funções. Consulte as próximas duas páginas para obter maiores detalhes

**c) Força DESLIGADA:** Configure K1 em “Off” (Desligado) e a Trail Scout será DESLIGADA.

**Para instruções de montagem, consulte a seção do manual intitulada “Como usar o Trail Scout”.**

## Guia De Configuração (cont.)

(1) **CONFIGURAR A DATA:** Quando o LCD exibir a data, pressione a tecla ENTER para modificá-la. Pressione o botão Para cima ou Para baixo para selecionar de 1 a 12 e após pressione o botão ENTER para confirmar os dois dígitos correspondentes ao mês. O cursor passará para a posição do dia. Pressione o botão Para cima ou Para baixo para selecionar de 1 a 31 e após pressione o botão ENTER para confirmar os dois dígitos correspondentes ao dia. O cursor passará para a posição do ano. Pressione o botão Para cima ou Para baixo para selecionar de 0 a 99 e após pressione o botão ENTER para confirmar os dois dígitos correspondentes ao ano. Na configuração da data, pressione o botão Para baixo para configurar a hora.

Set Date  
09/18/04

*Observação: Consulte "Outras notas sobre a configuração" para obter maiores*

*detalhes sobre o recurso do carimbo da fase da lua, vinculado à data configurada.*

(2) **AJUSTE DA HORA:** Quando o LCD exibir a hora, pressione a tecla ENTER para modificá-la. Pressione o botão Para cima ou Para baixo para selecionar de 1 a 12 e após pressione o botão ENTER para confirmar os dois dígitos correspondentes à hora. O cursor passará para a posição dos minutos. Pressione o botão Para cima ou Para baixo para selecionar de 0 a 59 e após pressione o botão ENTER para confirmar os dois dígitos correspondentes aos minutos.

Set Time  
06: 30 PM

No ajuste da hora, pressione o botão Para baixo para configurar o nome.

(3) **CONFIGURAR O NOME:** Quando o LCD exibir o nome atual, pressione a tecla ENTER para modificar o display do nome. Pressione o botão Para cima ou Para baixo para selecionar um caractere de "A" a "Z", "0" a "9", "\_" e após pressione ENTER para confirmar: o cursor passará para o próximo caractere. Você poderá usar 2 linhas de 8 caracteres. Na configuração do nome, pressione o botão Para baixo para mudar a senha.

MY NAME  
555\_1234

(4) **CONFIGURAR A SENHA:**

Quando o LCD exibir [Password Set] (Configuração da senha), pressione a tecla ENTER para configurá-la.

Password  
Set

#### (4) CONFIGURAR A SENHA (cont.):

#### Guia De Configuração (cont.)

Password  
Yes

O LCD exibirá [Password Yes] (Senha Sim). Pressione Enter para mudar a senha. Caso não queira configurar uma senha, pode-se pressionar a tecla Para cima ou Para baixo e selecionar NO (NÃO). Se tiver selecionado SIM, o LCD indicará [New Pswd] (Nova Senha). Pressione a tecla Para cima ou Para baixo para selecionar o primeiro dígito de 0-9 da senha. Pressione ENTER para confirmar e o cursor passará para o próximo dígito à direita. Repita o processo usando as teclas Para Cima, Para Baixo e Enter para introduzir a senha de quatro dígitos. Pressione ENTER para confirmar. Se não quiser configurar uma senha quando o LCD exibir (PW YES), pode-se pressionar o botão Para cima/Para baixo para selecionar No (Não). Após pressionar ENTER, o LCD exibirá (PW NO) e nenhuma senha será configurada. Ao concluir a CONFIGURAÇÃO, mude K1 para a posição LIGADA (PARA CIMA) e a unidade passará a operar após um retardo de 2 minutos.

New Pswd  
0 0 0 0

Password  
None

(5) AJUSTAR DAY TIME (HORA DO DIA): (Observação: Este ajuste estabelece o período em que as fotografias são tiradas nos modos DIURNO e NOTURNO e aciona automaticamente um filtro infravermelho – consulte o item #4 em “Outras notas sobre a configuração”).

Day Time  
07 -- 18

Quando o LCD indicar (Day Time) [Horas do dia], pressione ENTER para configurar a faixa de horário de DAY TIME. O LCD mostrará e sublinhará os 2 primeiros dígitos no modo DAY TIME. Pressione as setas para cima ou para baixo para ajustar a hora específica desejada para o início do DAY TIME no relógio de 24 horas. Pressione ENTER para configurar a hora de início do DAY TIME. Em seguida, a sublinha passa para os próximos 2 dígitos no modo DAY TIME. Pressione as setas para cima ou para baixo para ajustar a hora específica desejada para o fim do DAY TIME no relógio de 24 horas. Pressione ENTER para configurar a hora de término do DAY TIME. Agora o DAY TIME (HORÁRIO DIURNO) já está definido. NIGHT [NOITE] é definida como o período compreendido o final e início do horário diurno. Se você não configurar as horas do período do DIA, será usado o padrão 6AM~6PM (das 6 às 18 horas).

*Example: 07—18 would define DAY as from 7AM to 6PM (6PM=18:00 hours on 24 hr clock).*



## Guia De Configuração (cont.)

### 2. K2 – Chave do modo de imagem (STILL / FILME):

Configure a chave K2 em uma dessas posições:

(PARA CIMA) Modo de fotografia STILL: A resolução de imagem é de 3,0MP (para o modelo 119833) ou 5,0MP (modelos 119935/119905). As fotografias são armazenadas no formato JPG.

(PARA BAIXO) Modo de FILME: A câmara pode gravar um filme com duração de 15 segundos. O formato do arquivo é AVI (com áudio nos modelos 119935/119905).

**OBSERVAÇÃO:** *No modelo 119833, a combinação do modo NOTURNO e modo de FILMES resultará em vídeos escuros, já que o flash de xenônio não funciona no modo FILMES. Com os modelos 119935/119905 é possível usar os modos NOTURNO e de FILME juntos colocando-se a chave K3 (modo de iluminação) na posição LED (o flash de xenônio padrão não funciona no modo FILMES).*

**(Somente para os modelos 119935/119905)**

*Observação: consulte o item 4 em “Outras notas sobre a configuração” para obter informações adicionais.*

### 3. K3 – Chave do modo Flash (LED / Padrão):

A câmara Game possui dois modos que selecionam o tipo de flash que disparará sob condições escuras:

(a) **Modo LED (matriz do LED emissor de luz infravermelha):** A luz infravermelha do LED não é visível a olho nu, mas fornece iluminação para a câmara. Use-a quando não quiser chamar a atenção do animal/pessoa que está sendo fotografada. Esse modo pode também ser usado para fazer filmes à noite. Durante o período definido como “noite” um filtro infravermelho de bloqueio é desativado automaticamente, de forma que a luz infravermelha produzida pelos LEDs possa criar uma imagem. Durante o “Dia”, o filtro infravermelho de bloqueio é reativado; sendo assim deve-se usar a posição de flash de xenônio ou “padrão” para obter melhores resultados quando a câmara estiver configurada no modo “somente diurno”.

(b) **Modo STD (padrão):** (tubo de flash de xenônio) **Observação:** esta posição da chave pode estar rotulada como “Incand” em vez de “STD” em unidades mais antigas. Pode-se usar o modo Padrão para condições de pouca luz/nubladas ou para tirar fotografias still coloridas durante a noite. Não é possível usar o modo de flash Padrão durante o usar o modo MOVIE (FILME): a chave K3 deve estar na posição LED.

112





## Guia De Configuração (cont.)

### 4. K3 (Modelo 119833) – MODO (24Hr / DIURNO/ NOTURNO):

#### K4 (Modelos 119935/119905) – MODO (24Hr / DIURNO/ NOTURNO):

A Trail conta com três modos de períodos de operação:

(a) **24Hr:** a câmara Trail opera durante o dia e noite. Quando o PIR (sensor infravermelho passivo) detecta um objeto, a câmara tirará a fotografia e registrará um EVENTO.

(b) **DAY (DIURNO):** A câmara Trail tira fotografias apenas durante o dia (o período de início e término do dia é definido pelo usuário ou é usado o padrão das 6h00 às 18h00). Quando o PIR detectar um objeto, a unidade captará uma imagem e gravará um EVENTO. Se o PIR for disparado entre o horário compreendido entre o término e início do dia, será gravado um EVENTO; a imagem não será captada.

(c) **NIGHT (NOTURNO):** A câmara Trail tira fotografias apenas durante a Noite (o período do final até o início do dia é definido pelo usuário ou é usado o padrão das 18h00 às 6h00). Quando o PIR detectar um objeto, a unidade captará uma imagem e gravará um EVENTO. Se o PIR for disparado durante o horário do “Dia”, apenas um EVENTO será gravado; a imagem não é capturada.

### 5. K4 (Modelo 119833)– MODO DE RETARDO DA CÂMARA (30s/1Min/2Min)

#### K5 (Modelos 119935/119905)– MODO DE RETARDO DA CÂMARA (30s/1Min/2Min):

Há três modos para se tirar fotografias com retardo de tempo: 30 s, 1 min e 2 min.

A unidade gravará EVENTOS no MODO DE RETARDO da CÂMARA toda vez que o PIR detectar movimento.

(a) 30s: Após tirada a primeira fotografia, uma segunda fotografia será tirada depois de 30 segundos.

(b) 1Min: Após tirada a primeira fotografia, uma segunda fotografia será tirada depois de 1 minuto.

(c) 2Min: Após tirada a primeira fotografia, uma segunda fotografia será tirada depois de 2 minutos.





## GLOSSÁRIO

**PIR**— Sensor infravermelho passivo. Detecta movimentos como um detector de movimento normalmente usado para a segurança. Requer energia infravermelha (calor) além de movimento para disparar o sensor e assegurar a detecção de animais vivos.

**Evento**—Toda vez que o PIR detectar movimento, ele é contado como um evento. Os eventos são gravados em um arquivo de texto no cartão SD. Eles são gravados continuamente durante a operação.

**Imagem**—Uma fotografia digital gravada no cartão SD quando é detectado o movimento. As imagens são captadas com o intervalo desejado entre elas.

**Retardo da imagem** —O tempo decorrido entre as fotografias, do momento da detecção dos eventos e sua gravação. Ele é configurado pelo usuário, baseando-se na atividade dos animais selvagens da área em questão.

**Flash infravermelho** - Matriz de LED infravermelho – recurso de visão noturna do LED infravermelho. Emite uma rajada de luz infravermelha, que não é visível para o olho humano. É particularmente útil para fotografias durante a noite, quando o flash visível é indesejável. (Presente somente nos modelos 119935/119905).

**Flash Std (Padrão)** —Tubo de flash de xenônio usado para tirar fotografias durante a noite ou em condições de baixa luminosidade. Dispara automaticamente, quando necessário devido à escuridão, céu nublado ou baixa luminosidade no final do dia.

**Cartão SD** — Cartão de memória usado para armazenar imagens e eventos. Compatível com cartão SD de até 1GB (todas as câmaras Trail Scouts incluem um cartão de 128MB).

**Vida útil das pilhas**—Tempo que a câmara funcionará no campo. Depende da temperatura, número de imagens e número de fotografias tiradas usando o flash durante aquele período.

**Configuração** — Utilização do menu do display e botões para ajustar a data/hora, fotografia still ou filmes, e a senha.

**Segurança**—Um dos requisitos mais importantes de qualquer câmara trail. As Trail Scouts possuem 4 recurso de segurança: cadeado, suporte para árvore, trava de cabo e senha do software.

**Tempo de disparo** —intervalo decorrido entre o sujeito passar na frente do sensor PIR e a captura de sua imagem. Todas as câmaras Bushnell Trail contam com um tempo de disparo inferior a um segundo.





## OTHER SETUP NOTES

### OUTRAS NOTAS SOBRE A CONFIGURAÇÃO

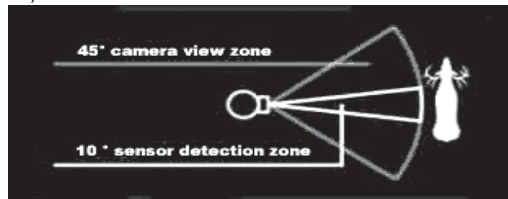
#### 1. SLOT PARA CARTÃO SD

A unidade possui um slot para cartão SD padrão. O cartão SD deve ser inserido no slot com a etiqueta voltada para o logotipo da Bushnell. Se, após inserido, ele for pressionado, o cartão SD soltará e poderá ser removido do slot. A inserção ou remoção do cartão SD é recomendada somente quando a unidade estiver na posição "OFF"(DESLIGADA).

#### 2. SENSOR PIR

O sensor que dispara a câmara Trail é infravermelho passivo (PIR). A energia infravermelha é essencialmente calor. O PIR opera detectando uma mudança no nível infravermelho de sua zona de detecção. Essa zona é um cone de 10 graus no centro do campo de visão da câmara. A câmara estabelece um nível infravermelho médio de longo prazo. Quando esse nível aumentar subitamente, o detector PIR envia sinais para que a câmara grave uma imagem e/ou evento. Devido a esse efeito, o detector PIR terá maior sensibilidade à noite, quando a temperatura média é mais baixa.

No modo de configuração, o sensor PIR pode ser usado para determinar a zona de detecção. Quando o PIR for detectado, o indicador de sentido do PIR acenderá. O campo de visão da câmara é um cone de 45 graus centrado na zona de detecção do PIR.





## Outras Notas Sobre A Configuração (cont.)

### 3. APONTADOR LASER (Somente nos Modelos 119935/119905)

A câmara Trail Scout modelos 119935/119905 possui um apontador laser. Ao montar a unidade sobre uma árvore ou qualquer outra superfície fixa e não for possível obter a mira por detrás da Câmara Game, pode-se usar o apontador laser para fazer o alinhamento da unidade.

**OBSERVAÇÃO: A LUZ LASER É POTENCIALMENTE PERIGOSA AOS OLHOS.  
O APONTADOR LASER É ATIVADO NO MODO DE CONFIGURAÇÃO.  
NÃO PERMITA QUE ELE SEJA APONTADO NA DIREÇÃO DOS OLHOS DE  
NENHUM INDIVÍDUO, PARA EVITAR POSSÍVEL LESÃO OCULAR.**



### 4. CHAVE AUTOMÁTICA DO FILTRO DE INFRAVERMELHO PARA USO DIURNO/NOTURNO (somente nos modelos 119935/119905)

A câmara Trail Scout modelos 119935/119905 possui uma função automática que aciona um filtro no seu sistema de lente durante o período definido como “Dia” (consulte a seção “Ajuste da hora do dia” no Guia de Configuração). A finalidade desse filtro é bloquear a luz infravermelha, de forma que as fotografias tiradas durante o dia ou com o tubo de flash padrão (xenônio), quando houver muita sombra ou no final do dia, tenham uma aparência normal. Este filtro infravermelho é encontrado em praticamente todas as câmaras digitais, já que seus sensores de imagem são sensíveis à luz infravermelha e comprimentos de onda da luz visível. Entretanto, durante o período definido como “Noite”(do final ao início do dia), o filtro de bloqueio infravermelho é desativado automaticamente ou removido da trajetória da lente. Isso permite que a matriz de lâmpadas do LED, que emite luz infravermelha invisível, possa criar uma imagem no sensor CMOS da câmara, quando a luz infravermelha ilumina um objeto na frente da lente. Como o filtro infravermelho é acionado durante o período definido como Dia, a combinação do modo operacional “somente DIA” e modo flash “LED” não é recomendada, pois o filtro evitará que a imagem infravermelha do LED alcance o sensor, resultando em fotografias escuras. O flash padrão pode ser selecionado juntamente com o modo “Somente NOITE”. Entretanto as fotografias poderão sair levemente rosadas ou avermelhadas devido ao filtro infravermelho desativado. Consulte a tabela abaixo:



## Outras Notas Sobre A Configuração (cont.)

Modo operacional	Modo de Flash	Resultados das fotografias durante o dia	Resultados das fotografias durante a noite	Combinação recomendada
Somente Dia	STD	Cor e exposição normais	Não são tiradas fotografias	SIM
Somente Noite	LED	Não são tiradas fotografias	Preto e branco, boa exposição	SIM
24 horas	LED	Normal, podem ficar escuras durante condições nubladas ou no final do dia	Preto e branco, boa exposição	Boa (melhores resultados à noite, o flash não é detectado)
Somente Dia	LED	Podem ficar escuras durante condições nubladas ou no final do dia	Não são tiradas fotografias	NÃO
Somente Noite	STD	Não são tiradas fotografias	Cor levemente rosada ou avermelhada	OK para usar
24 horas	STD	Cor e exposição normais	Cor levemente rosada ou avermelhada	Boa (melhores resultados durante o dia)



### 5. CARIMBO DA FASE LUNAR

Todos os novos modelos Trail Scout possuem o recurso de carimbo da “fase da lua”. Isto vincula a data atual (conforme o ajuste feito pelo usuário no procedimento de configuração) à fase da lua naquela data (a qual é armazenada no chip de memória interna) e imprime um ícone na fotografia representando a fase da lua no dia em que a fotografia foi tirada. O ícone fase da lua aparecerá no lado esquerdo inferior da fotografia, próximo ao seu nome e o logotipo da Bushnell. Alguns caçadores poderão achar este recurso útil, já que poderá ajudá-los a determinar se determinados animais ficam inativos à noite na presença da lua cheia ou quase cheia, por ficarem mais visíveis aos predadores. Ou, se as fotografias tiradas durante a noite apresentarem um fundo mais escuro ou mais claro (além da distância das lâmpadas LED ou flash), pode-se saber se isso ocorreu em decorrência do brilho da lua. Os ícones para as diversas fases da lua estão indicadas acima.



## COMO USAR A TRAIL SCOUT

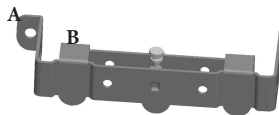
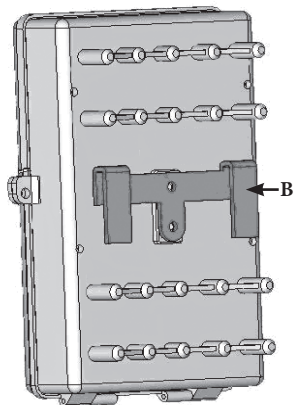
### 1. MONTAGEM:

Monte a câmara Trail em uma árvore, como indicado abaixo.

1. Parafuse o suporte A na árvore.
2. Aparafuse o suporte B na parte posterior da câmara Trail.
3. Emparelhe o suporte B e o suporte A.
4. Em seguida, pendure o suporte B sobre o suporte A.
5. Por fim, insira o cadeado e trave quando a instalação estiver concluída.

Para maior segurança, pode-se usar o cabo incluído e enrolá-lo em torno da árvore.

1. Insira a extremidade com a orelha grande no suporte A.
2. Em seguida, passe a outra extremidade do cabo em torno da árvore e pelo suporte.
3. Aperte o parafuso de aperto ajustável para prendê-lo no lugar (B).





## Como Usar A Trail Scout (cont.)

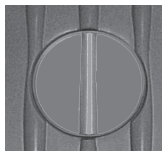
### 2. Resumo da ligação e chaves de configuração:

Gire o botão 90° no sentido anti-horário e abra a tampa frontal. Coloque a K1 na posição ON (LIGADA). Insira a senha correta. A senha padrão é "0000".

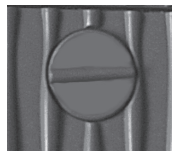
*(Se a senha for introduzida incorretamente após 3 tentativas, a unidade desligará automaticamente. Para LIGAR novamente, é necessário colocar a chave K1 de volta na posição OFF (DESLIGADA) e, em seguida, colocar em ON (LIGADA).*

O LCD exibirá o atual contador de IMAGE&EVENT (IMAGEMeEVENTO).

Pode-se pressionar a tecla Para cima ou Para baixo para ver a DATE (DATA), TIME (HORA) e NAME (NOME). Caso pretenda modificar a DATA, a HORA, o NOME ou senha, coloque a K1 na posição SETUP (CONFIGURAÇÃO). (Para maiores detalhes, consulte o GUIA DE CONFIGURAÇÃO) Após concluir a CONFIGURAÇÃO, coloque K1 de volta na posição ON. A unidade vai demorar 2 minutos antes de começar a funcionar para que você se afaste da área. As funções de K2, K3 e K4 podem ser configuradas no Modo SETUP (CONFIGURAÇÃO) ou ON (LIGADO). Após concluir a CONFIGURAÇÃO, feche a tampa frontal e gire o botão 90° no sentido horário. Para finalizar, prenda a Trail Scout com um cadeado.



Gire o botão 90° no sentido anti-horário para abrir



Gire o botão 90° no sentido horário para fechar



## GARANTIA LIMITADA DE DOIS ANOS

Garantimos que seu produto Bushnell® estará isento de defeitos materiais e de fabricação, por dois anos após a data de aquisição. Caso tenha algum um defeito sob esta garantia, iremos a nossa opção, consertar ou trocar este produto desde que o produto seja devolvido com porte pago. Esta garantia não abrange danos causados por uso indevido, operação, instalação, ou manutenção incorretas efetuadas a não ser que seja do Departamento do Serviço de Manutenção Autorizada da Bushnell.

Qualquer devolução efetuada sob esta garantia deve incluir os itens relacionados a seguir:

- 1) Um cheque/ordem de pagamento no montante de \$10,00 para cobrir as despesas de porte e gastos administrativos
- 2) Nome e endereço para a devolução do produto
- 3) Uma explicação do defeito
- 4) Comprovante da Data de Aquisição
- 5) O produto deve ser cuidadosamente embalado, numa caixa de papelão resistente para prevenir danos enquanto em trânsito e enviado para os endereços indicados a seguir com porte de devolução pago:

### NOS EUA REMETER PARA:

Bushnell Outdoor Products  
Attn: Repairs  
8500 Marshall Drive  
Lenexa, Kansas 66214

### NO CANADÁ REMETER PARA:

Bushnell Performance Optics  
Attn: Repairs  
25A East Pearce Street, Unit 1  
Richmond Hill, Ontario L4B 2M9

Para produtos adquiridos fora dos Estados Unidos ou do Canadá favor contatar seu revendedor local quanto a informações aplicáveis referentes a sua garantia. A Bushnell também pode ser contatada na Europa pelo telefone:

BUSHNELL Performance Optics GmbH  
European Service Centre  
MORSESTRASSE 4  
D- 50769 KÖLN  
Alemanha  
Tél: +49 (0) 221 709 939 3  
Fax: +49 (0) 221 709 939 8

Esta garantia lhe dá direitos legais específicos.  
Poderá ter outros direitos que podem variar de país para país.

©2007 Bushnell Outdoor Products

## Nota da FCC:

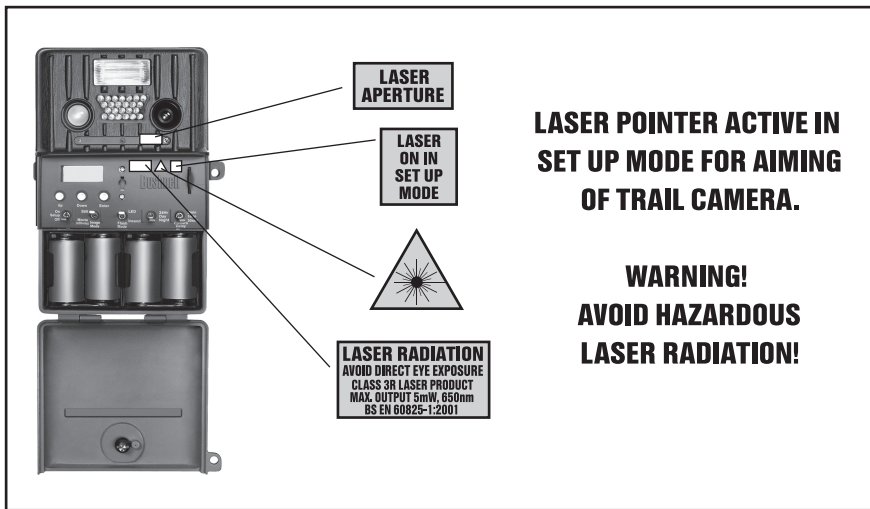
Este equipamento foi testado e verificou-se que cumpre com os limites para um dispositivo digital Classe B, de acordo com a Parte 15 das regras da FCC. Esses limites são estabelecidos para oferecer proteções adequadas contra a interferência prejudicial em uma instalação residencial. Este equipamento gera, usa e pode irradiar energia de radiofrequência e, se não for instalado e usado de acordo com as instruções, poderá causar interferência prejudicial nas radiocomunicações. Entretanto, não há garantia de que não ocorrerão casos de interferência em determinadas instalações. Se este equipamento causar interferência prejudicial na recepção de rádio ou televisão (a qual poderá ser determinada ligando-se e desligando-se o equipamento), tente corrigir o problema adotando uma ou mais das medidas seguintes:

- Reoriente ou mude o lugar da antena receptora.
- Aumente a distância entre o equipamento e receptor.
- Conecte o equipamento em uma tomada que faça parte de um circuito diferente daquele onde o receptor se encontra conectado.
- Consulte um representante ou um técnico experiente em rádio/televisão para auxílio.

O cabo de interferência blindado deve ser usado com o equipamento para cumprir os limites de dispositivo digital segundo a Sub-parte B da Parte 15 das Regras da FCC.

Projetos e especificações estão sujeitos a mudanças sem aviso prévio ou obrigação por parte do fabricante.





**Ponteiro laser ativo no modo de configuração para mirar a câmara Trail.  
Cuidado! Evite a radiação laser perigosa!**



**FR****Participons à la protection de l'environnement !**

- ① Votre appareil contient de nombreux matériaux valorisables ou recyclables.
- ➔ Confiez celui-ci dans un point de collecte ou à défaut dans un centre service agréé pour que son traitement soit effectué.

**UK  
IE****Environment protection first !**

- ① Your appliance contains valuable materials which can be recovered or recycled.
- ➔ Leave it at a local civic waste collection point.

**DE  
AT****Schützen Sie die Umwelt!**

- ① Ihr Gerät enthält mehrere unterschiedliche, wiederverwertbare Wertstoffe.
- ➔ Bitte geben Sie Ihr Gerät zum Entsorgen nicht in den Hausmüll, sondern bringen Sie es zu einer speziellen Entsorgungsstelle für Elektrokleingeräte (Wertstoffhof).

**BE****Participons à la protection de l'environnement !**

- ① Votre appareil contient de nombreux matériaux valorisables ou recyclables.
- ➔ Confiez celui-ci dans un point de collecte ou à défaut dans un centre service agréé pour que son traitement soit effectué.

**Samen het milieu beschermen !**

- ① Uw toestel bevat meerdere recycleerbare materialen
- ➔ Breng deze naar een containerpark of naar een erkend service center, bevoegd voor de recycling.

**DK****Vi skal alle være med til at beskytte miljøet!**

- ① Apparatet indeholder mange materialer, der kan genvindes eller genbruges.
- ➔ Bring det til et specialiseret indsamlingssted for genbrug eller et autoriseret serviceværksted, når det ikke skal bruges mere.

**ES****¡ ¡ Participe en la conservación del medio ambiente ! !**

- ① Su electrodoméstico contiene materiales recuperables y/o reciclables.
- ➔ Entréguelo al final de su vida útil, en un Centro de Recogida Específico o en uno de nuestros Servicios Oficiales Post Venta donde será tratado de forma adecuada

**FI****Huolehtikaamme ympäristöstä!**

- ① Laitteesi on varustettu monilla arvokkailla ja kierrätettävillä materiaaleilla.
- ➔ Toimita laitteesi keräyspisteeseen tai sellaisen puuttuessa vaikka valtuutettuun huoltokeskukseen, jotta laitteen osat varmasti kierrätetään.

**GR****Ας συμβάλουμε κι εμείς στην προστασία του περιβάλλοντος!**

- ① Η συσκευή σας περιέχει πολλά αξιοποιήσιμα ή ανακυκλώσιμα υλικά.
- ➔ Παραδώστε τη παλιά συσκευή σας σε κέντρο διαλογής ή ελλείψει τέτοιου κέντρου σε εξουσιοδοτημένο κέντρο σέρβις το οποίο θα αναλάβει την επεξεργασία της.

**PR****Proteção ao meio ambiente em primeiro lugar!**

- ① Seu aparelho inclui materiais valiosos, que podem ser reciclados ou recuperados.
- ➔ Deixe-o em um ponto de coleta de resíduos local.





### **OBSERVAÇÕES ADICIONAIS SOBRE A OPERAÇÃO**

- O LCD indicando “ENTER SUSPEND” significa que o sistema vai suspender a atividade (modo inativo para conservar a carga das pilhas).
- Após colocar K1 na posição ON (LIGADA), o sistema começará a funcionar após um retardo de dois minutos. Se nenhuma atividade for detectada dentro de três minutos, o sistema passará para SUSPEND (SUSPENSO). Quando o PIR detectar atividade, a câmara será acionada imediatamente.
- Quando o LCD exibir “RESUME” (REINICIAR) significa que o sistema está ativo.
- A troca de pilhas dentro de 20 segundos evitará a necessidade de reajustar a data e hora.





**Bushnell®**  
**OUTDOOR  
TECHNOLOGY**

INNOVATION THAT THRIVES OUTSIDE

For further questions or additional information please contact:

Bushnell Outdoor Products  
9200 Cody, Overland Park, Kansas 66214  
(800) 423-3537 • [www.bushnell.com](http://www.bushnell.com)

©2007 Bushnell Outdoor Products

