

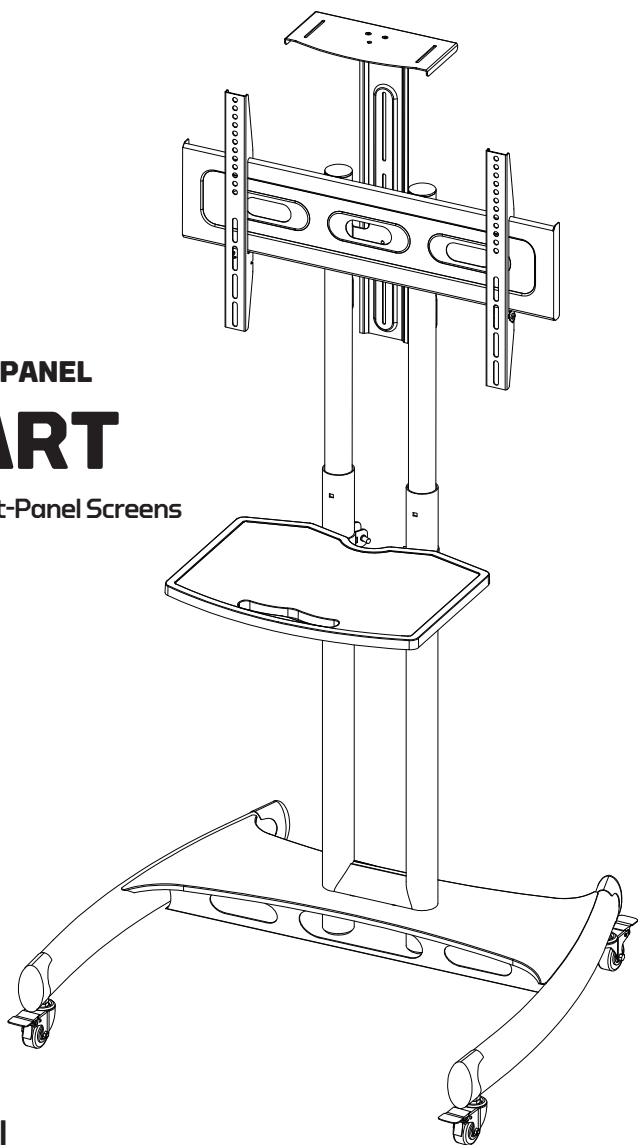


GABOR®

**FPC-65 / FLAT PANEL**

# **TV CART**

for 32 - 65 in. Flat-Panel Screens



**User Manual**

## **Thank you for choosing Gabor.**

The Gabor FPC-65 Flat-Panel TV Cart is the modern rolling A/V table. Wheel your 65-inch monitor, laptop, and webcam from room to room, whether it's at the office, on the sales floor, or in school.

If you have safety concerns about installing this product, contact a qualified professional or installation contractor.

If this product is missing hardware or there are defective parts, visit [www.madebygabor.com](http://www.madebygabor.com) or call Customer Service at 212-594-2353.

# Safety Warnings

- Do not use this product for any flat-panel screen device other than what it is intended for; the exact specifications, size parameters, and weight limits are found both on the product box and in the instruction manual.
- It is strongly recommended that this product be installed by a qualified professional or installation contractor; Gabor takes no responsibility for any product damage or personal injury resulting from mishandling, incorrect mounting, faulty assembly, or improper use of this product.
- Do not assemble or use the cart on structures that may be affected by vibrations or noticeable impacts; do not assemble or use near a heater, fireplace, or any other source of direct heat energy.
- It is recommended that at least two people perform the installation process to prevent injury from mishandling or dropping the product or flatscreen device; proper safety gear and tools must be utilized at all times when installing product.
- When installing this product, be sure to refer to mounting instructions detailed in this manual; failure to abide by mounting instructions may void product warranty
- This product may contain small parts which can possibly pose a choking hazard; keep out of reach of children and pets.
- Excessive exposure to liquids may damage the finish of this product; when cleaning this product, use only a mild detergent solution and quickly wipe dry with a soft cloth.
- All images are for illustrative purposes only.

# Product Specifications

**Compatible flat-panel display size:**  
32 to 65 in. (81.28 to 165.1 cm)

**Max height:**  
60.24 in. (153 cm)

**Min height:**  
40.56 in. (103 cm)

**Max weight capacity:**  
100 lb. (45.4 kg)

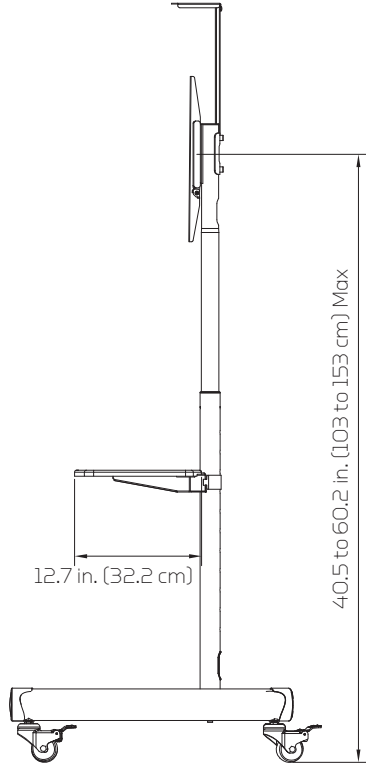
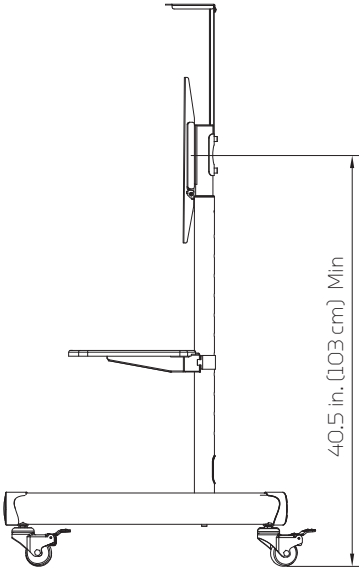
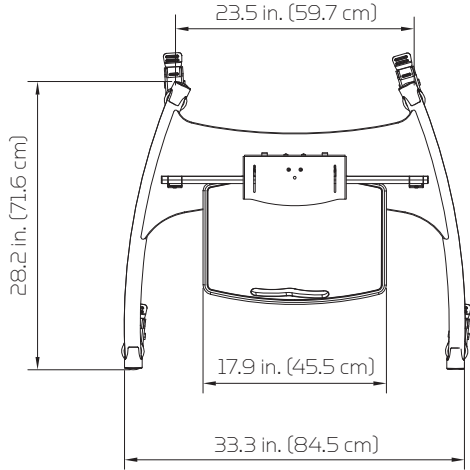
**Weight:**  
41.5 lb. (19 kg)

**VESA mounting pattern:**  
100 × 100 to 600 × 400 mm

**Material:**  
Steel

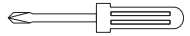
**A/V shelf size:**  
17.94 × 11.88 in. (45.57 × 30.18 cm)

**Max A/V shelf load:**  
10 lb. (4.5 kg)



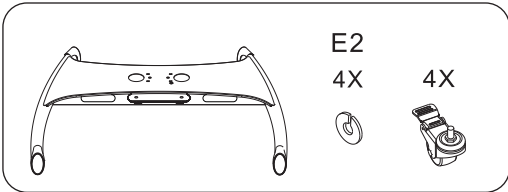
# Parts List


Required tool:  
Phillips screwdriver

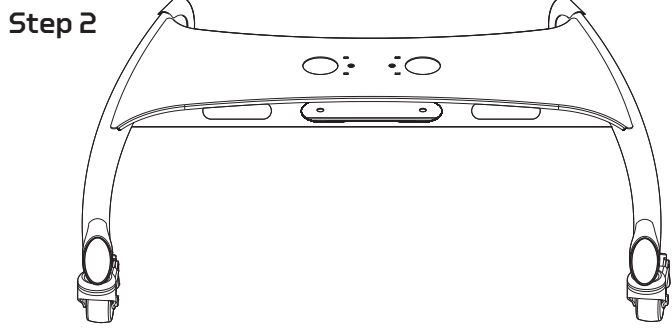
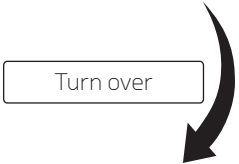
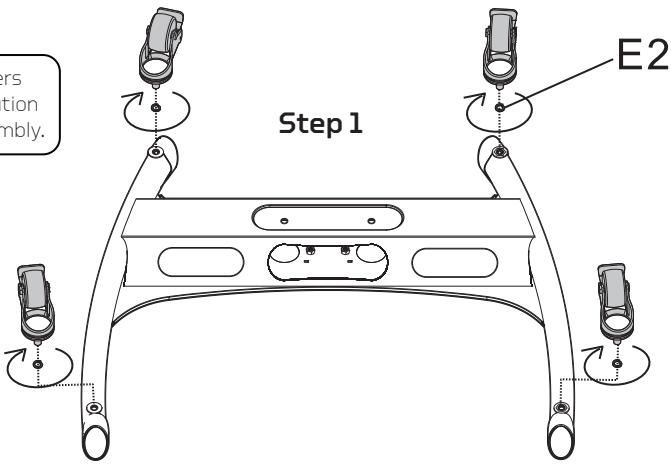


1X 		1X 		1X 		
1X 				1X 		
				1X 		
1X 	1X 	1X 	1X 	1X 	2X 	4X 
					4X 	1X 
A1 4X  M5x25mm	B1 4X  M6x25mm	C1 4X  M8x25mm	D1 4X  Φ16×Φ6.2×1.5mm	E1 4X  Φ17x8.2xH12mm		
A2 6X  M8x26mm	B2 4X  M8x55mm	C2 2X  M5x12mm	D2 1X 	E2 4X  Φ16.5×Φ12.5×2mm	F2 1X  M6	

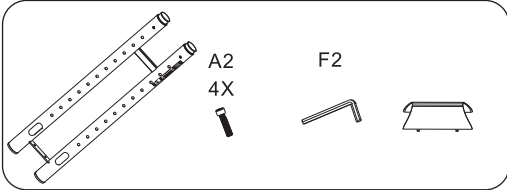
# Installing the Casters



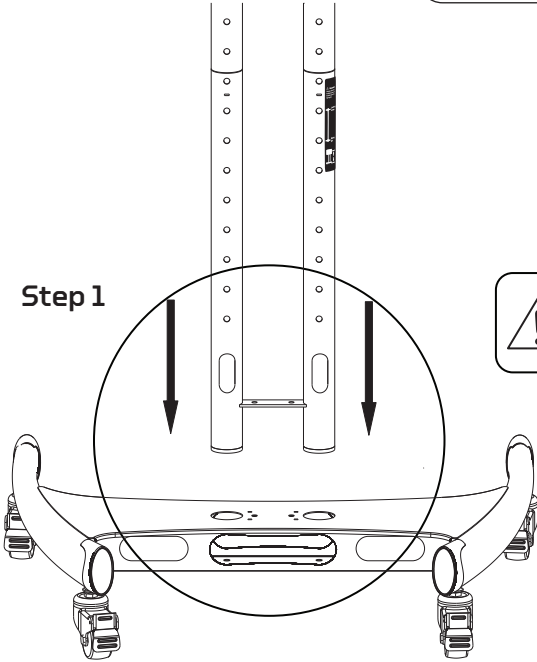
 Lock the casters during installation and cart assembly.



# Attaching the Riser Post

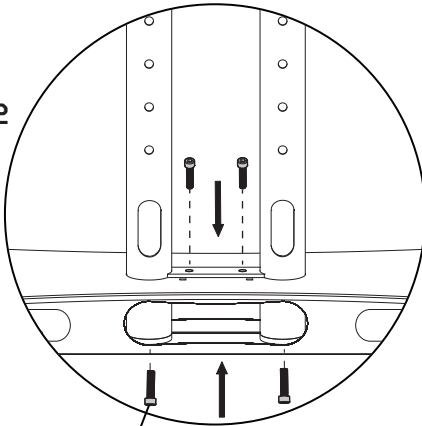


Step 1



Make sure the cable-management holes are facing the rear of the base.

Step 2

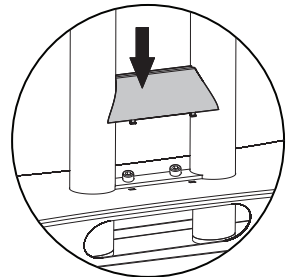


A2

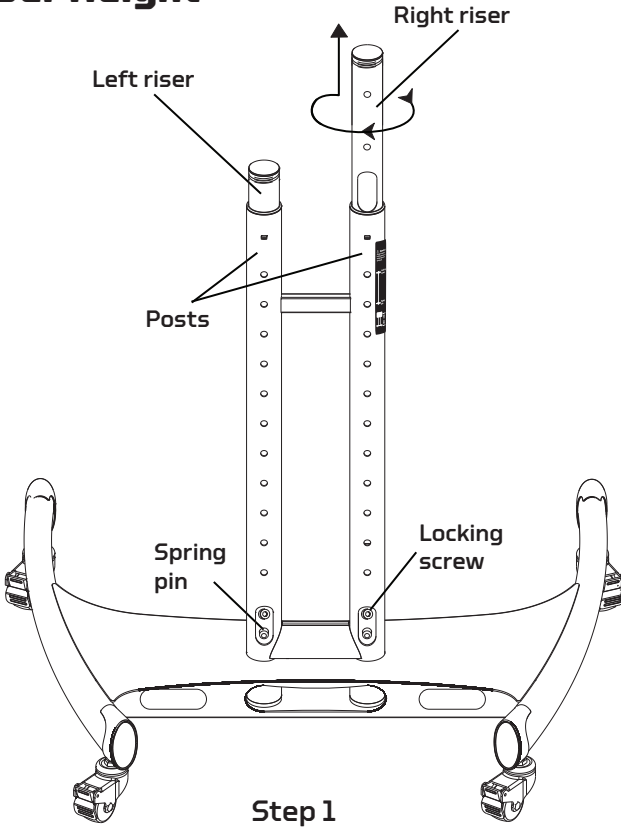
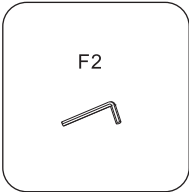
F2




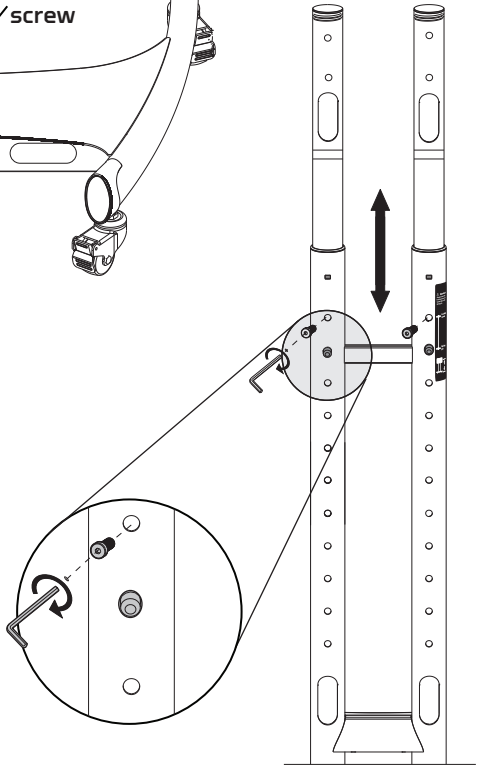
Step 3



# Adjusting the Riser Height

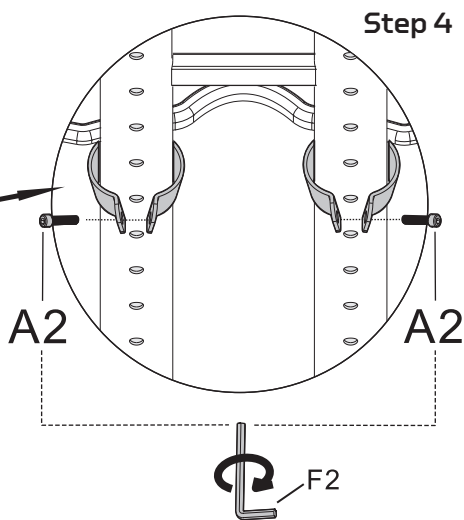
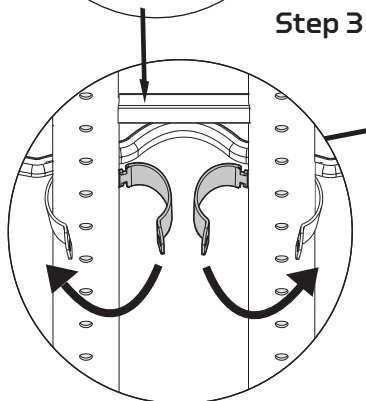
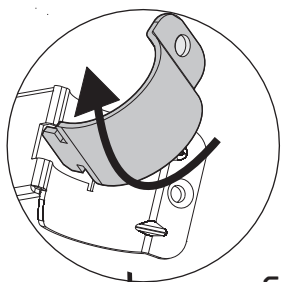
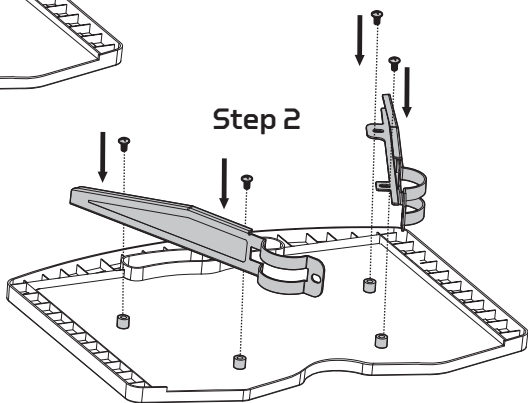
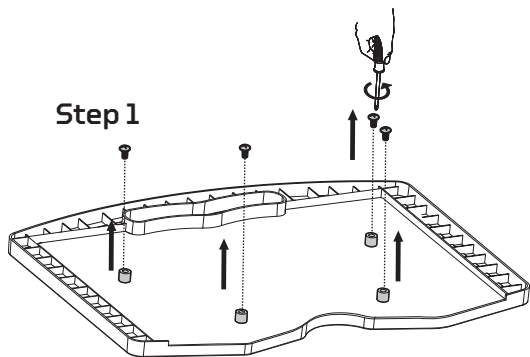
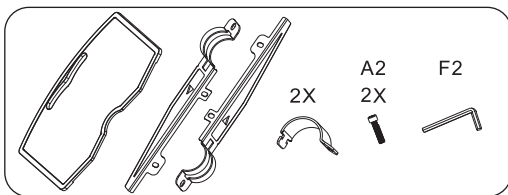


 You will need to remove the locking screw before extending the riser posts.

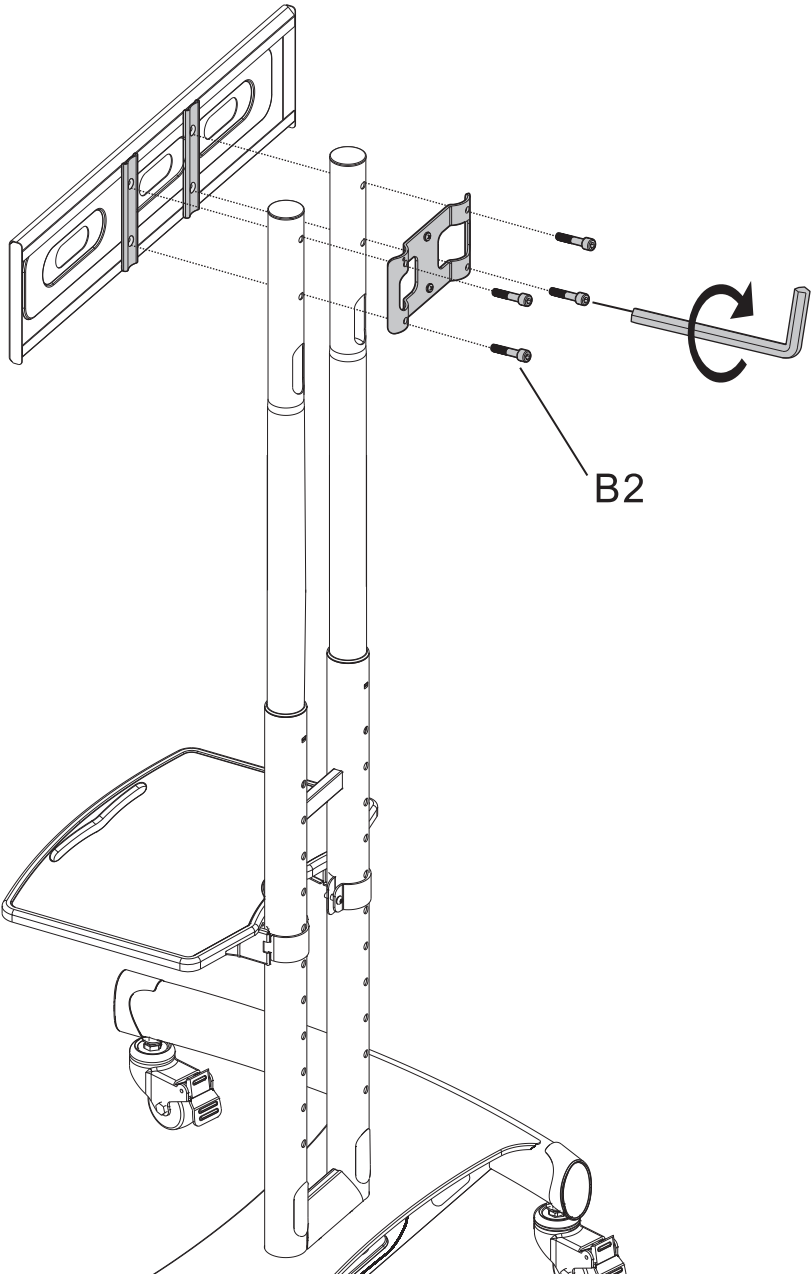
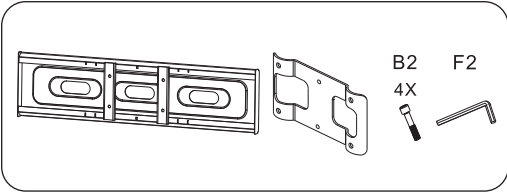


Step 2

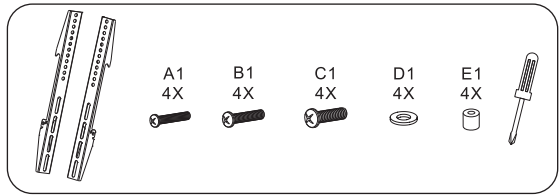
# A/V Shelf Assembly and Installation



# Installing the Display Mount

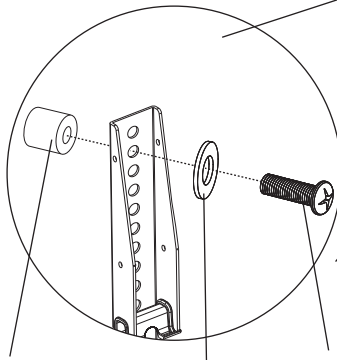
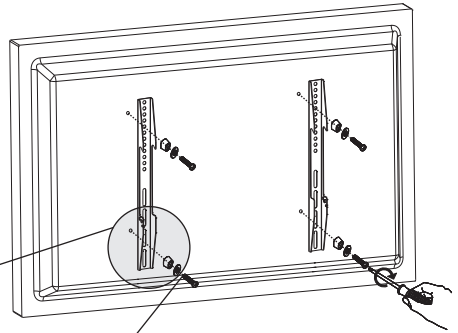


# Installing the Display/TV Bracket



## Selecting the Right VESA Mounting Hardware for Your Display

A variety of screws are included to fit VESA standards on the back of most displays. Select the appropriate M5, M6, or M8 screws and washers. Hand-thread the screws to determine the correct diameter.



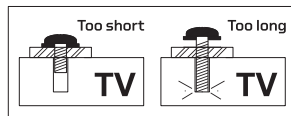
(E1)

D1

(A1, B1, C1)

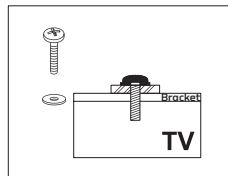


If the screw is too short, it may not hold the display. If it's too long, it may damage the display.



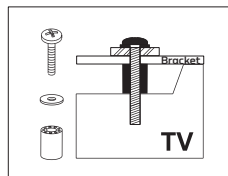
### If Your TV Has a Flat Back:

Install the bracket directly to your TV, using only the screws and washers provided. Align the screw with the hole in the washer.



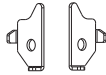


### If Your TV Has a Curved Back or Recessed Mounting:

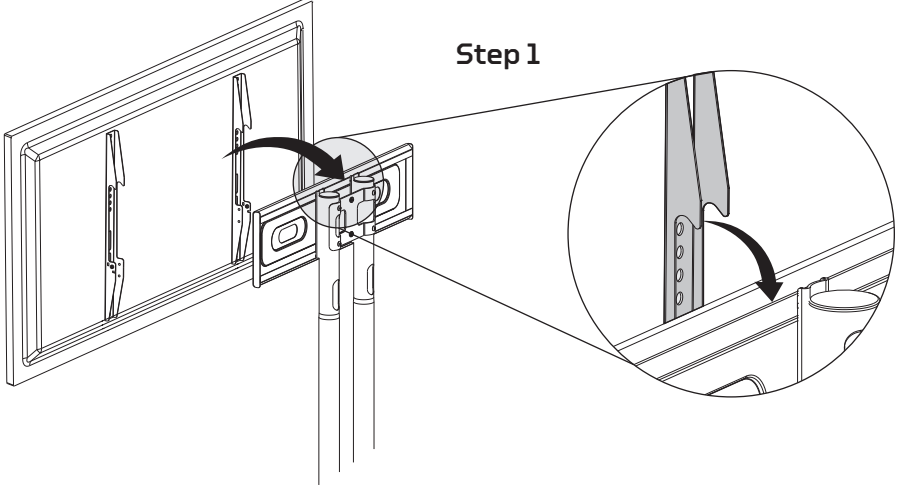
Install the spacer between the bracket and your TV. Then fasten with the screws and washers until secure.



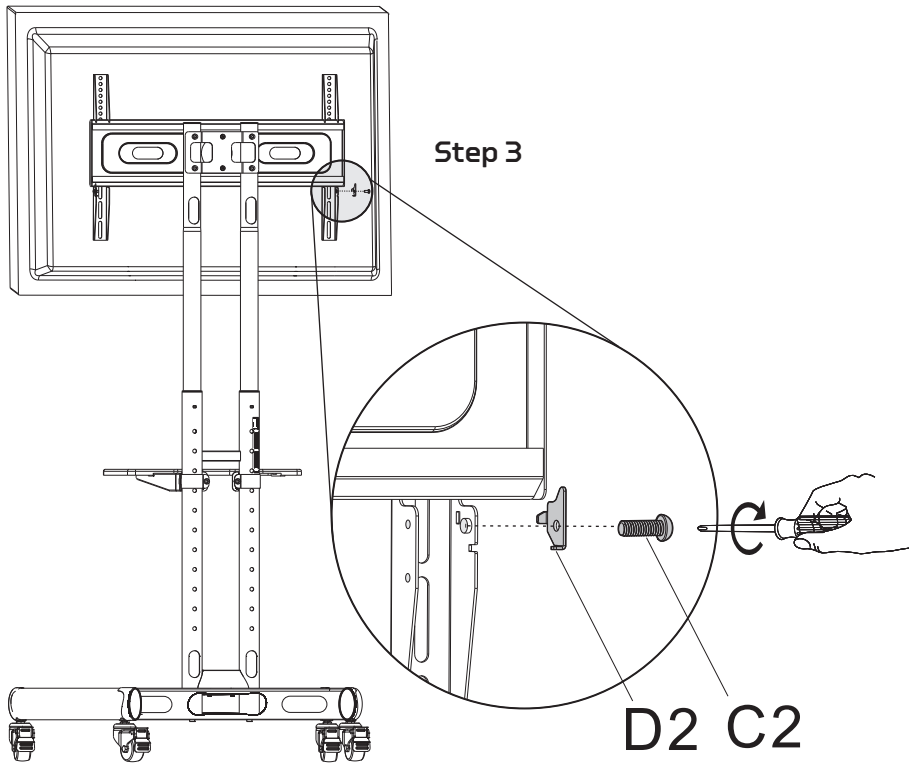
# Mounting the TV to the Display Mount

C2	D2	
2X	1X	
		

Step 1

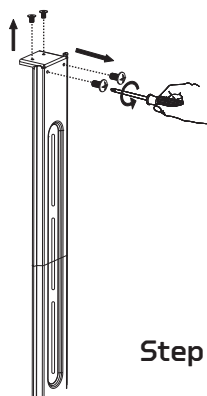
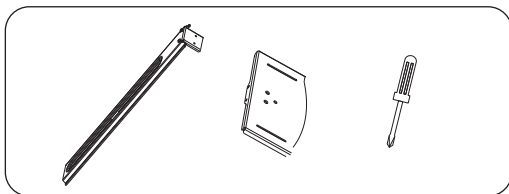


Step 3

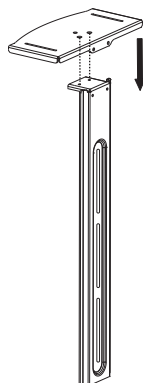


D2 C2

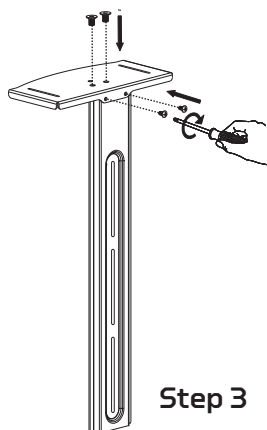
# Camera Tray Attachment



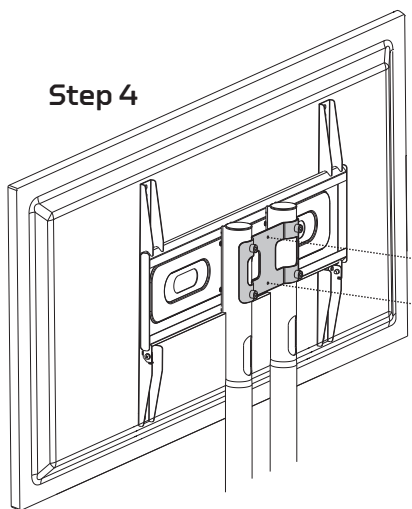
Step 1



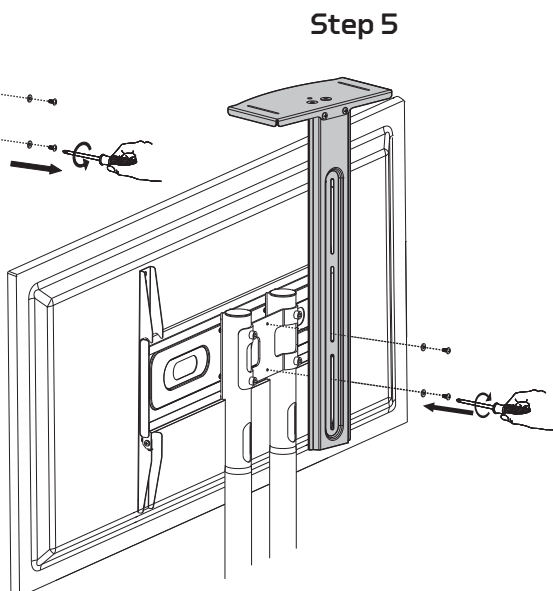
Step 2



Step 3

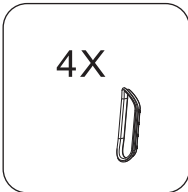


Step 4



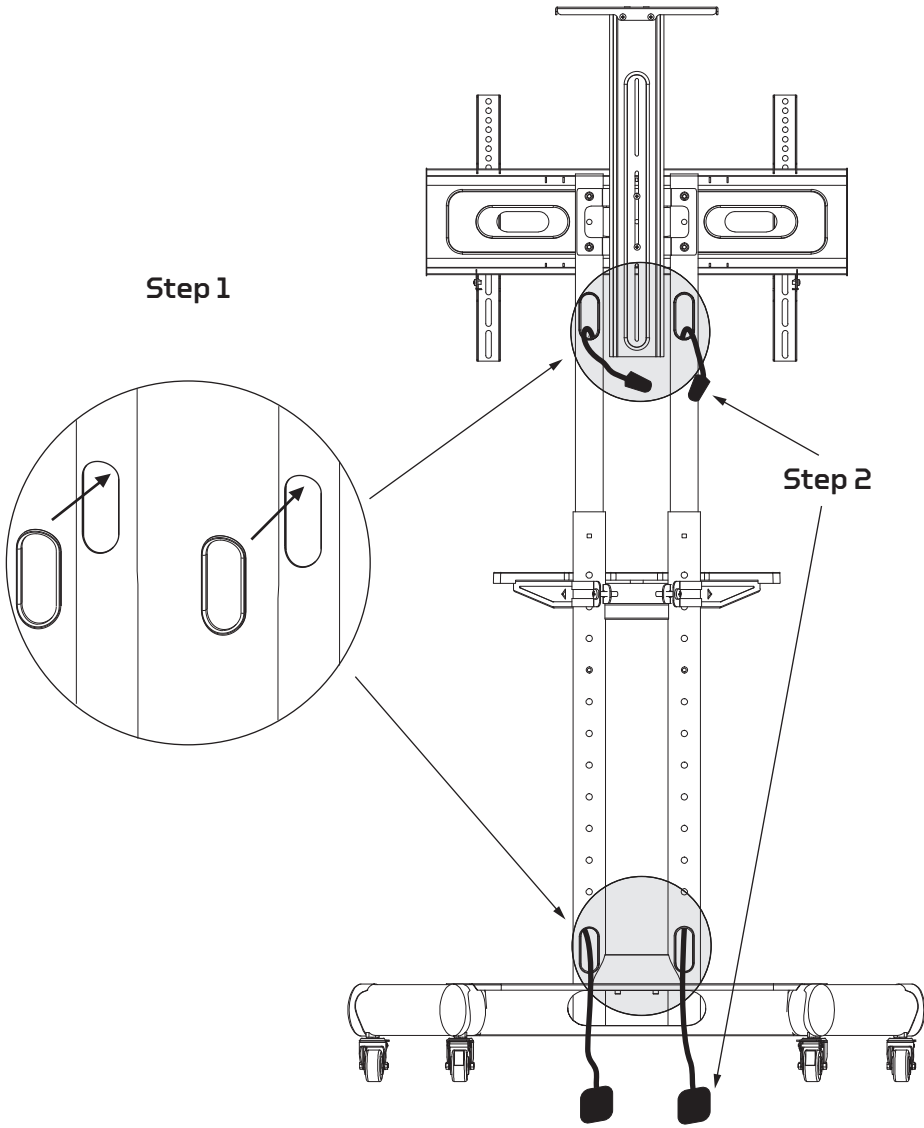
Step 5

# Installing Power and A/V Cables



Step 1

Step 2



## FIVE-YEAR LIMITED WARRANTY

This GABOR product is warranted to the original purchaser to be free from defects in materials and workmanship under normal consumer use for a period of five (5) years from the original purchase date or thirty (30) days after replacement, whichever occurs later. The warranty provider's responsibility with respect to this limited warranty shall be limited solely to repair or replacement, at the provider's discretion, of any product that fails during normal use of this product in its intended manner and in its intended environment. Inoperability of the product or part(s) shall be determined by the warranty provider. If the product has been discontinued, the warranty provider reserves the right to replace it with a model of equivalent quality and function.

This warranty does not cover damage or defect caused by misuse, neglect, accident, alteration, abuse, improper installation or maintenance. EXCEPT AS PROVIDED HEREIN, THE WARRANTY PROVIDER MAKES NEITHER ANY EXPRESS WARRANTIES NOR ANY IMPLIED WARRANTIES, INCLUDING BUT NOT LIMITED TO ANY IMPLIED WARRANTY OF MERCHANTABILITY OR FITNESS FOR A PARTICULAR PURPOSE. This warranty provides you with specific legal rights, and you may also have additional rights that vary from state to state.

To obtain warranty coverage, contact the Gabor Customer Service Department to obtain a return merchandise authorization ("RMA") number, and return the defective product to Gabor along with the RMA number and proof of purchase. Shipment of the defective product is at the purchaser's own risk and expense.

For more information or to arrange service, visit [www.madebygabor.com](http://www.madebygabor.com) or call Customer Service at 212-594-2353.

Product warranty is provided by the Gradus Group.

[www.gradusgroup.com](http://www.gradusgroup.com)

Gabor is a registered trademark of the Gradus Group.

© 2019 Gradus Group LLC. All Rights Reserved.



