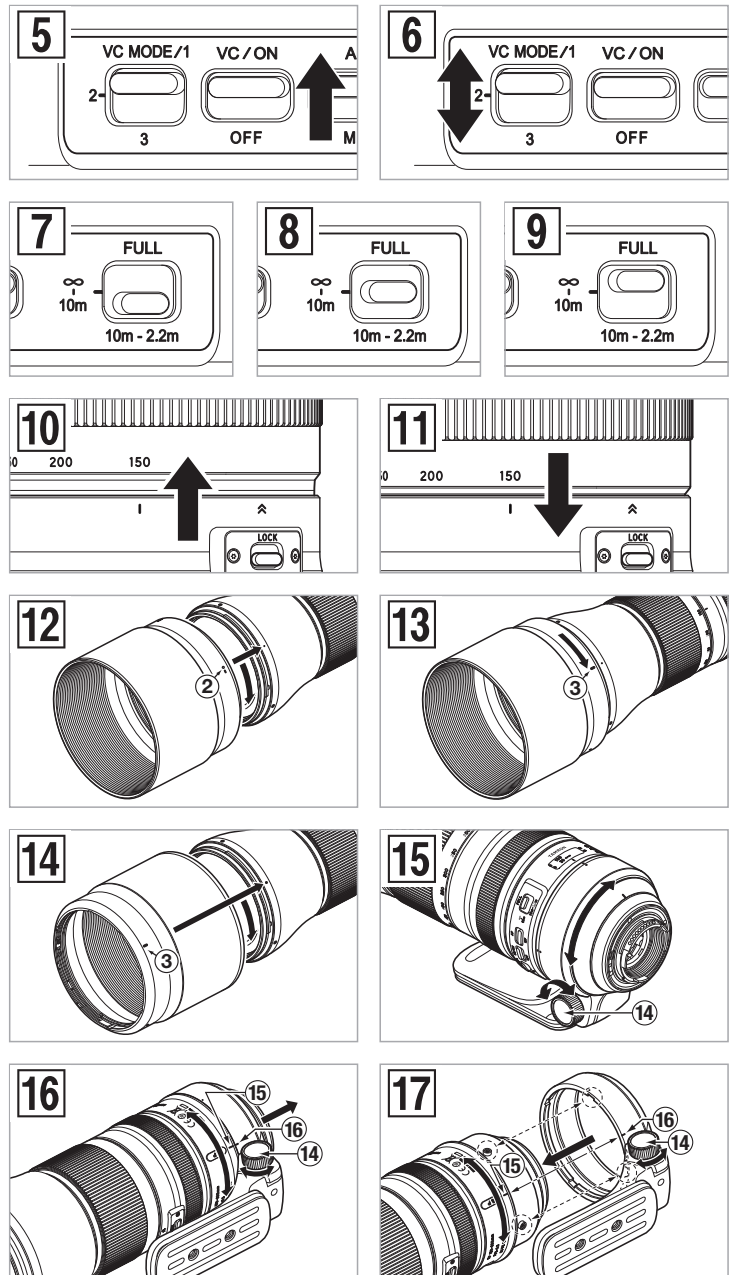
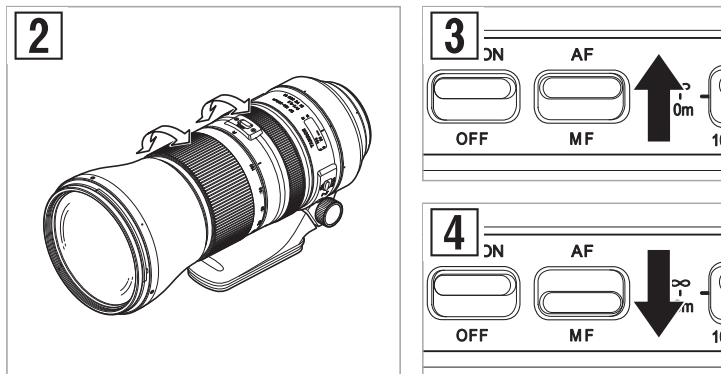
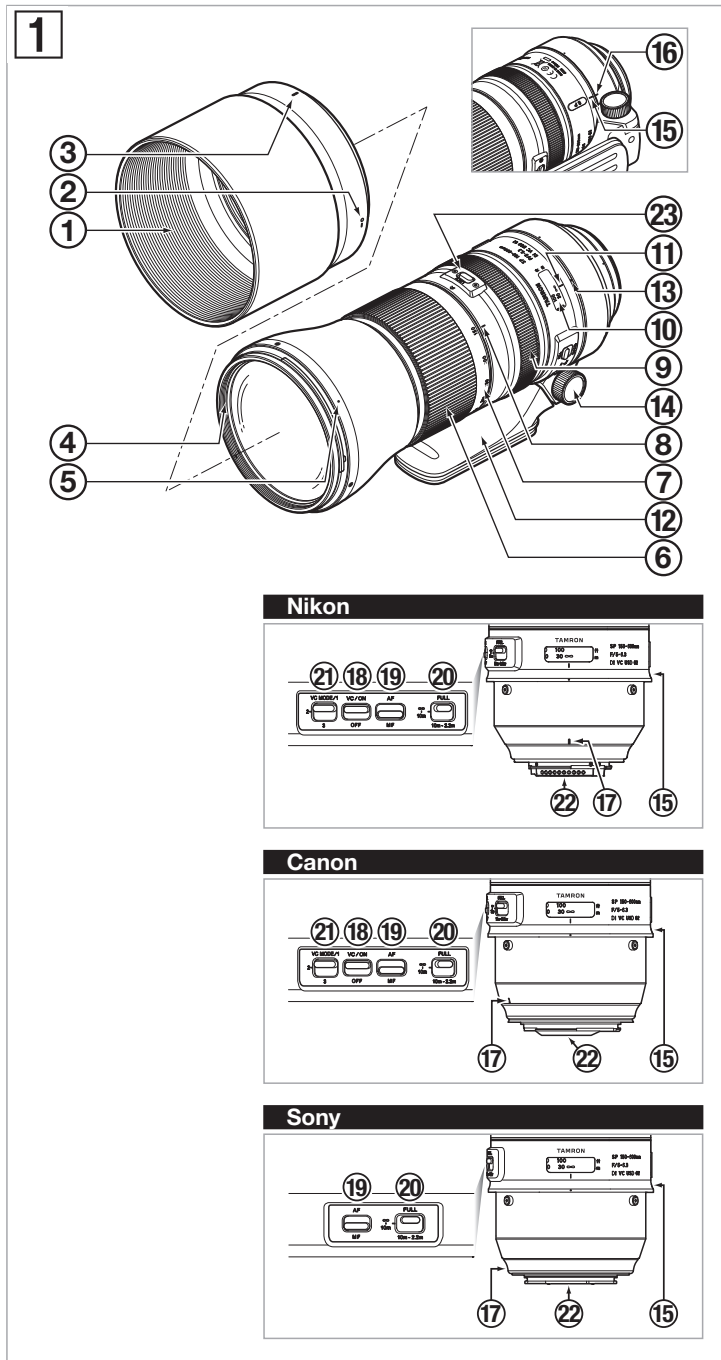


# TAMRON | Model: A022 Owner's manual

## SP150-600mm F/5-6.3 Di VC USD G2 (for Nikon, Canon) SP150-600mm F/5-6.3 Di USD G2 (for Sony \*Models without the VC)



**CE** \* The CE Marking is a directive conformity mark of the European Community (EC).  
 \* Das CE-Zeichen entspricht der EC Norm.  
 \* La marquage CE est un marquage de conformité à la directive CEE (CE).  
 \* La marca CE es marca de conformidad según directiva de la Comunidad Europea (CE).  
 \* Il marchio CE attesta la conformità alla direttiva della Comunità Europea (CEE).  
 \* CE 标志表示符合欧洲共同体(EC)指标

**CE** The EEC Conformity Report applies to the Council Directive 2014/30/EU, 2011/65/EU and is used by Tamron Co., Ltd., manufacturer of this product.

# ENGLISH

Thank you for purchasing the Tamron lens as the latest addition to your photographic equipment. Before using your new lens, please read the contents of this Owner's Manual thoroughly to familiarize yourself with your lens and the proper techniques for creating the highest quality images possible. With proper handling and care, your Tamron lens will give you many years of photographing beautiful and exciting pictures.

• Explains precautions that help to prevent problems.

• Explains things you should know in addition to basic operations.

## PART NAMES (Refer to Fig. 1, if not specified)

- |   |   |
|---|---|
| ① Lens hood                             | ② Hood attaching alignment mark           |
| ③ Hood locking mark                     | ④ Filter ring                             |
| ⑤ Hood release mark                     | ⑥ Zooming ring                            |
| ⑦ Focal length scale                    | ⑧ Focal length mark                       |
| ⑨ Focus ring                            | ⑩ Distance scale                          |
| ⑪ Distance mark                         | ⑫ Tripod mount                            |
| ⑬ Tripod mount mark                     | ⑭ Tripod mount locking screw              |
| ⑮ Tripod mount release mark (lens side) | ⑯ Tripod mount release mark (tripod side) |
| ⑰ Lens attachment mark                  | ⑱ VC (Vibration Compensation) switch      |
| ⑲ AF/MF switch                          | ⑳ Focus limiter                           |
| ㉑ VC mode switch                        | ㉒ Lens-camera interface contacts          |
| ㉓ Wide-side zoom lock switch            |   |

## MAIN SPECIFICATIONS

	A022
Focal Length	150-600 mm
Maximum Aperture	F/5-6.3
Angle of View	16°25' - 4°8'
Lens Construction	13/21
Minimum Focus Distance	2.2 m (86.6")
Maximum Magnification Ratio	1:3.9 (at 600 mm)
Filter Size $\phi$	95 mm
Length	257.7 mm (10.1")*
Diameter $\phi$	108.4 mm (4.3")
Weight (with tripod mount)	1,990 g (70.2 oz)*
Lens Hood	HA022

\* Values are specifications of Nikon products.

Length: Distance from lens front to mount surface.

Features and appearances of lenses listed in this owner's manual are subject to change without notice.

## ATTACHING AND REMOVING THE LENS

Remove the rear cap of the lens. Align the lens attachment mark ⑰ and mounting mark on the camera, and then insert the lens.

Rotate the lens clockwise until it clicks and locks. (For Nikon models, rotate counterclockwise.)

To remove the lens, turn the lens in the opposite direction while pressing the lens release button on the camera.

- Turn off the power of the camera before attaching or removing the lens.
- In the case of Canon cameras, align with the EF lens mark (red circle).

• For details, please read the instruction manual of your camera.

## SWITCHING FOCUS MODE (Ref. Figs. 1, 3 & 4)

To shoot using autofocus (AF), set the AF/MF switch ⑲ to "AF".

To shoot using manual focus (MF), set the AF/MF switch ⑲ to "MF", and then use your hand to turn the focus ring and focus the image.

- The distance scale ⑩ is provided as a guideline. It may differ from the actual focus location.
- In AF mode, it may be difficult for autofocus to work depending on the subject.

- Through the full-time manual mechanism, when focusing with AF, it is possible to switch to MF by turning the focus ring while the AF/MF switch is set to AF. AF can be resumed by releasing your finger from the shutter button and then depressing the shutter button halfway.
- To ensure focus under various conditions, the focus ring ⑨ rotates past the infinity ( $\infty$ ) position. Accordingly, always check the focus in the viewfinder when shooting with manual focus, even when the focus is aligned with infinity.
- For details, please read the instruction manual of your camera.

## VC MECHANISM (Ref. Figs. 1, 5 & 6) (mounted for Nikon and Canon models)

The VC (Vibration Compensation) mechanism reduces image blur caused by hand-held shooting.

### How to use VC

When you use VC, set the VC switch ⑱ to ON.

Press the shutter button halfway and confirm that the viewfinder image is stable before taking a picture.

### Switching VC mode

You can switch the VC mode by using the VC mode switch ㉑.

**MODE 1** Basic mode that balances finder-image stability and compensation effects

**MODE 2** Panning mode

**MODE 3** Mode that prioritizes compensation effects, compensating only at the moment the shutter is released.

\* MODE 1 and MODE 3 do not support panning.

\* For shooting with live view, use MODE 1.

\* Settings can be made using TAP-in Utility only for MODE 1.

### VC is effective under the following conditions

- Dimly lit locations
- Locations where flash photography is prohibited
- Locations where the footing is unstable

### VC may not perform sufficiently under the following conditions

- When a photograph is taken from a vehicle that is shaking greatly
- Shooting during excessive movement of the camera
- When shooting while using a tripod
- Set the VC switch to OFF when taking pictures with bulb photography (long exposures). Otherwise, VC may cause a malfunction.

• The viewfinder image may become blurred immediately after the shutter button is pressed halfway. This is due to the principles of VC and not a malfunction.

• When the VC switch is set to ON, the number of recordable images is reduced due to the power used from the camera.

• Set the VC switch to OFF when you are shooting while the camera is secured by something other than your hand (such as a tripod).

• Do not remove the lens from the camera while VC is on. If the lens is removed while VC is on, the lens may make a clicking sound if the lens is shaken. This is not a malfunction. If the lens is installed on the camera, and the camera's power is switched on, the sound stops.

• In MODE 2 and MODE 3, the effects of VC at the finder may be reduced, but this is not a malfunction.

• For Nikon cameras equipped with a built-in flash, VC will be turned off while the built-in flash is charging.

## USING THE FOCUS LIMITER (Ref. Figs. 1, 7 to 9)

When autofocus is set, switching the focus limiter switch ㉒ can speed up focusing.

### To limit the autofocus range to close (1.0 to 2.2 m) subjects (Ref. Fig. 7)

Set the focus limiter switch to "10 m-2.2 m".

### To limit the autofocus range to distant (infinity to 10 m) subjects (Ref. Fig. 8)

Set the focus limiter switch to " $\infty$ -10 m".

### When not using the focus limiter (Ref. Fig. 9)

Set the focus limiter switch to "FULL".

## ZOOMING (Ref. Figs. 1 & 2)

While looking through the camera's viewfinder, rotate the zooming ring ⑥ of the lens to set the focal length suitable for the image, and then shoot.

## FLEX-ZOOM LOCK MECHANISM (Ref. Figs. 1, 10 & 11)

This mechanism is intended to stop the lens from zooming inadvertently at any position. Rotate the zooming ring to the zoom position, and then apply the lock after you have determined the position.

### Setting the zoom lock (Ref. Fig. 10)

Move the zooming ring to the subject side until the white mark is visible.

### Releasing the zoom lock (Ref. Fig. 11)

Move the zooming ring to the camera side.

- During activities such as carrying the product, use the wide-side zoom lock to prevent dropping due to its own weight.
- To zoom, release the lock, and then rotate the zooming ring.
- Take care not to get your fingers pinched while you switch the zoom lock.
- If the camera will not be used for an extended period, release the flex-zoom lock before storage.

## LENS HOOD (Ref. Figs. 1, 12 to 14)

A bayonet-type lens hood is provided as standard equipment.

We recommend shooting with the hood properly attached because the lens hood eliminates stray light that may affect the picture.

### Using the lens hood (Ref. Figs. 12 & 13)

Align the hood attaching alignment mark ② of the hood with the hood release mark ⑤ of the lens.

Rotate the hood in the direction of the arrow until the hood locking mark ③ meets the hood release mark ⑤.

### Stowing the lens hood (Ref. Fig. 14)

You can stow the lens hood by attaching it in reverse.

Align the hood locking mark ③ of the hood with the hood release mark ⑤ of the lens.

Rotate the hood in the direction of the arrow until the hood attaching alignment mark ② meets the hood release mark ⑤.

- Be aware that the perimeter of the photographed image may be darkened if the hood is not attached properly.

## TRIPOD MOUNT (Ref. Figs. 1, 15 to 17)

The A022 model comes with a tripod mount. When you use a tripod, lock the lens firmly to the tripod using the tripod mount.

### Changing the directional position of the camera (Ref. Fig. 15)

When you change the directional position of the camera, you can rotate the lens by loosening the tripod mount locking screw ⑭.

After determining the shooting position, tightly secure the tripod mount locking screw ⑭.

### Attaching and removing the tripod mount (Ref. Figs. 16 & 17)

You can mount and dismount the lens by loosening the tripod mount locking screw ⑭, rotating the lens, and then aligning the release marks ⑮ and ⑯ to the same position.

After attachment, tightly secure the tripod mount locking screw ⑭.

- The A022 tripod mount can be attached to an ARCA-SWISS camera platform.

## PRECAUTIONS WHEN SHOOTING

• An internal focusing (IF) system is employed to achieve the minimum focus distance. Because of this, the shooting range is wider than that of lenses using other focusing systems when shooting at a distance less than infinity.

• Always remove the hood when you use the built-in flash on the camera for flash photography. Otherwise, the hood or lens may darken the perimeter of the image. With close-up photography, the lens itself blocks the flash, and dark semicircle may appear at the bottom of the screen, even when the lens hood is not used. For flash photography, we recommend that you use an external flash unit provided by the camera manufacturer.

• Differences in the display systems of cameras may result in the display of values different from the maximum and minimum aperture values in the specifications. This is not an indication of an error.

• Use with mirrorless interchangeable-lens cameras is not guaranteed.

## TO ENSURE LONG-TERM SATISFACTION

- Remove dust and soiling on the lens by using a blower or soft brush. Do not touch the lens with your fingers.
- When fingerprints or oil have adhered to the lens, lightly wipe with commercially available lens cleaning paper, soak a well-washed cotton cloth, or microfiber cloth (cleaning cloth for glasses, etc.) in lens cleaner, and then lightly wipe the lens surface starting from the center. Do not use a silicone cloth.
- Clean the lens barrel using a silicone cloth. Never use benzene, thinner, or other organic solvents.
- Mildew is a major problem for lenses. Store your lens in a clean, cool, and dry place. When you store the lens in a lens case, store it with a commercially available drying agent and replace the drying agent occasionally.
- Do not touch the lens-camera interface contacts. If dust or stains cause contact problems, signals are not transmitted properly between the lens and camera, and malfunctions may occur.
- If the temperature changes suddenly, moisture may form within the camera and lens and cause malfunctions.

To prevent this, seal your equipment in a plastic bag or similar container. After your equipment has adjusted to the ambient temperature, remove it from the bag and use it as usual.



**Disposal of Electrical and Electronic Equipment in Private Households.  
Disposal of used Electrical & Electronic Equipment (Applicable in the  
European Union and other European countries with separate collection  
systems)**

■ This symbol indicates that this product shall not be treated as household waste. Instead it shall be collected separately for the recycling of electrical and electronic equipment.

If the new products are purchased, this product might be handed over to the distributor or the collection system of waste electrical and electronic equipment eventually.

By ensuring this product is disposed of correctly, you will help prevent potential negative consequences for the environment and human health, which could otherwise be caused by inappropriate waste handling of this product or components of this product.

If this product is disposed illegally, it might cause a possibility of penalties. For more detailed information about recycling of this product, please contact your local Civic Office, your household waste disposal service or the shop where you purchased the product.

# TAMRON

# ENGLISH

## Precautions for Safe Use of Tamron Lenses

For safe operation be sure to carefully read the "Precautions for Safe Use of Tamron Lenses" and the manual before using the product.

After reading them, store them in a place where they can easily be reviewed whenever needed.

Caution instructions are divided into the following two categories according to the degree of danger involved.



### WARNING

This indicates instructions which if not followed or if performed incorrectly could lead to death or serious injury.

- Do not directly view the sun or other strong light source using this lens or a camera to which the lens is attached.  
Doing such could cause loss of vision or other damage.
- Do not disassemble, repair, or modify the lens.  
This could damage the lens or camera.
- Keep the lens out of the reach of small children.  
There is a risk of injury if the lens is dropped or falls down.



### CAUTION

This indicates instructions which if not heeded or if performed incorrectly could lead to bodily injury or physical damage

- Do not place lens in direct sunlight or leave it in an extremely hot place such inside a car. Doing such could damage the internal parts of the lens or cause a fire.
- Always attach the lens cap whenever the lens is not in use.
- When attaching the lens to the camera, ensure that the lens has been properly attached to the camera and firmly locked.  
If the lens is not attached properly, it could be difficult to remove or it could fall off causing damage or injury.
- Do not use this lens for any application other than photography.
- Do not transport the lens while it is still attached to a tripod.