

# AUTO LENS ADAPTER

## USER MANUAL

LAE-MFT-CEFII

Canon EF/EF-S Lens to  
Micro Four Thirds Mount



 VELLO®

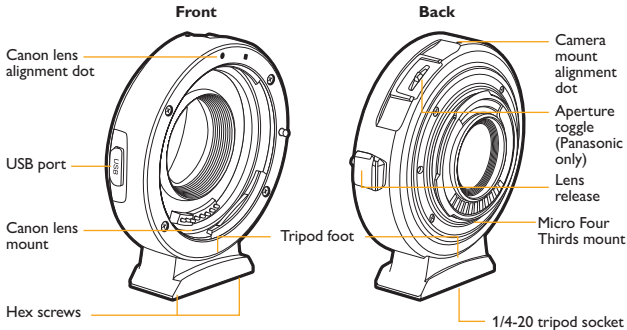
## THANK YOU FOR CHOOSING VELLO

The Vello Auto Lens Adapter is for attaching Canon EF and EF-S lenses to a Micro Four Thirds mount. It features autofocus and autoexposure functionality, delivers metadata for your pictures, and offers a near-silent aperture toggle. This toggle quietly selects the f-stop and reduces unwanted noise during video recording. The inside of the adapter is coated to reduce any stray reflections and maximize picture quality. A USB port allows for firmware updates, and the tripod foot is detachable and will work with most brands of tripods.

## PRECAUTIONS

- Avoid sandy or dusty environments when using this adapter.
- Handle the adapter with care—don't drop it, and avoid bumps and shocks.
- Clean the adapter by wiping it with a soft, dry cloth.
- Do not use solvents such as benzene, alcohol, or detergents to clean the adapter.
- Be sure to read the operating instructions for your digital camera.
- Keep this unit away from water and flammable gases or liquids.
- Do not attempt to disassemble or repair the equipment—doing so will void the warranty, and Vello will not be responsible for any damage.
- Handle the unit with care.
- Keep this unit away from children.
- All images are for illustrative purposes only.
- Please read and follow these instructions, and keep this manual in a safe place.

## OVERVIEW



## CONTENTS

- Vello LAE-MFT-CEFII  
Lens Adapter for Canon  
EF/EF-S lens to Micro  
Four Thirds mount
- Front and rear caps
- Removable tripod foot
- 2 mm hex key
- User manual



## MOUNTING THE LENS ADAPTER

*Note: Place the lens and camera on a flat, stable surface when mounting or removing the lens adapter.*

1. Turn the camera's power off.
2. Remove all caps before mounting.



3. Line up the red alignment dots on the lens adapter and the camera.
4. Carefully insert the lens adapter into the camera, and rotate clockwise until it locks into place.

5. Line up the alignment dot on the lens with the alignment dot on the lens adapter. ▶

6. Carefully insert the lens into the lens adapter, and rotate the lens clockwise until it locks into place.


7. Turn your camera on.




## APERTURE CONTROL (PANASONIC ONLY)

The aperture control toggle allows you to quietly open and close the aperture without clicking a camera dial or rotating a lens ring. Since it minimizes camera vibrations and noise, you can use it to change the aperture during video recording.



Press the toggle towards  to close the aperture.

Press the toggle towards  to open the aperture.

## REMOVING THE LENS ADAPTER

1. Turn the camera's power off.
2. Press and hold the lens release on the lens adapter.
3. Rotate the lens counterclockwise to release, and carefully detach the lens from the lens adapter.
4. Reattach the front lens cap to the lens adapter.



5. Press and hold the lens release button on the camera.
6. Rotate the lens adapter counterclockwise to release, and carefully detach the lens adapter from the camera.
7. Reattach the back lens cap to the lens adapter.

## REMOVING THE TRIPOD FOOT

Use the included hex key to loosen the hex screws until the foot can be removed from the lens adapter.

*Note: If your lens has a built-in tripod collar, use the collar on the lens to mount the assembly to the tripod.*



## FIRMWARE UPDATE

Go to [vellogear.com](http://vellogear.com) to check for the latest available updates for your lens adapter. Use the USB port to connect the adapter to your computer, and follow the update instructions.

## SPECIFICATIONS

<b>Compatible lenses</b>	Canon EF and EF-S lenses
<b>Compatible cameras</b>	Micro Four Thirds mount
<b>Lens mount</b>	Canon EF/EF-S
<b>Camera mount</b>	Micro Four Thirds
<b>Tripod thread</b>	1/4-20 mount
<b>Dimensions (H × W × D)</b>	3 × 2.81 × 1.15 in. (7.6 × 7.1 × 2.9 cm)
<b>Weight</b>	4 oz. (113 g)

## One-Year Limited Warranty

This VELLO product is warranted to the original purchaser to be free from defects in materials and workmanship under normal consumer use for a period of one (1) year from the original purchase date or thirty (30) days after replacement, whichever occurs later. The warranty provider's responsibility with respect to this limited warranty shall be limited solely to repair or replacement, at the provider's discretion, of any product that fails during normal use of this product in its intended manner and in its intended environment. Inoperability of the product or part(s) shall be determined by the warranty provider. If the product has been discontinued, the warranty provider reserves the right to replace it with a model of equivalent quality and function.

This warranty does not cover damage or defect caused by misuse, neglect, accident, alteration, abuse, improper installation or maintenance. EXCEPT AS PROVIDED HEREIN, THE WARRANTY PROVIDER MAKES NEITHER ANY EXPRESS WARRANTIES NOR ANY IMPLIED WARRANTIES, INCLUDING BUT NOT LIMITED TO ANY IMPLIED WARRANTY OF MERCHANTABILITY OR FITNESS FOR A PARTICULAR PURPOSE. This warranty provides you with specific legal rights, and you may also have additional rights that vary from state to state.

To obtain warranty coverage, contact the Vello Customer Service Department to obtain a return merchandise authorization ("RMA") number, and return the defective product to Vello along with the RMA number and proof of purchase. Shipment of the defective product is at the purchaser's own risk and expense.

For more information or to arrange service, visit [www.vellogear.com](http://www.vellogear.com) or call Customer Service at 212-594-2353.

Product warranty provided by the Gradus Group.

[www.gradusgroup.com](http://www.gradusgroup.com)

VELLO is a registered trademark of the Gradus Group.

© 2019 Gradus Group LLC. All Rights Reserved.



[www.vellogear.com](http://www.vellogear.com)

All other trademarks are the property of their respective owners