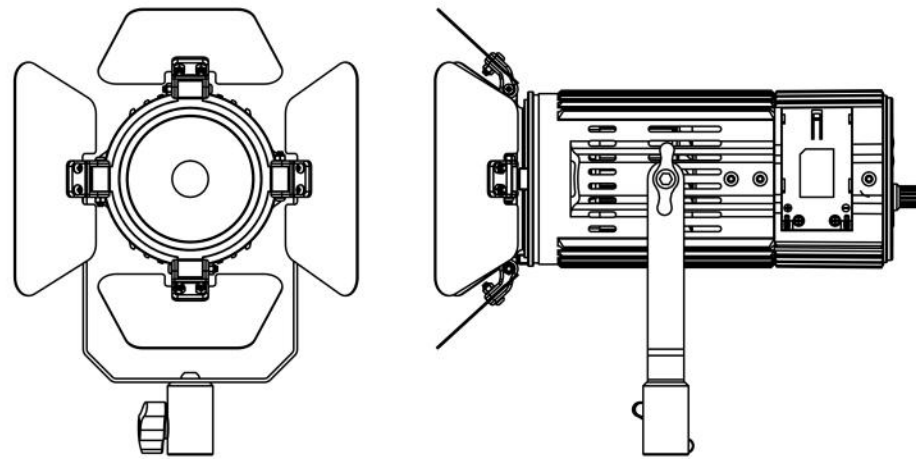


Product Introduction

Dracast BoltRay Plus is a series of professional photography LED light. It contains four versions: DRBRPLF400D, DRBRPLF400B, DRBRPLF600D and DRBRPLF600B. All the lights are made of 1 COB beads. DRBRPLF400D/DRBRPLF600D supports you to adjust the brightness, and DRBRPLF400B/DRBRPLF600B supports you to adjust brightness and color temperature at the same time. With good quality COB beads, The BoltRay Plus series has an exceptional color rendering index of 96+ and lights consistently. Meanwhile, LCD digital display, practical soft diffusion, 360° rotation U bracket improve your light set-up and stabilization system.

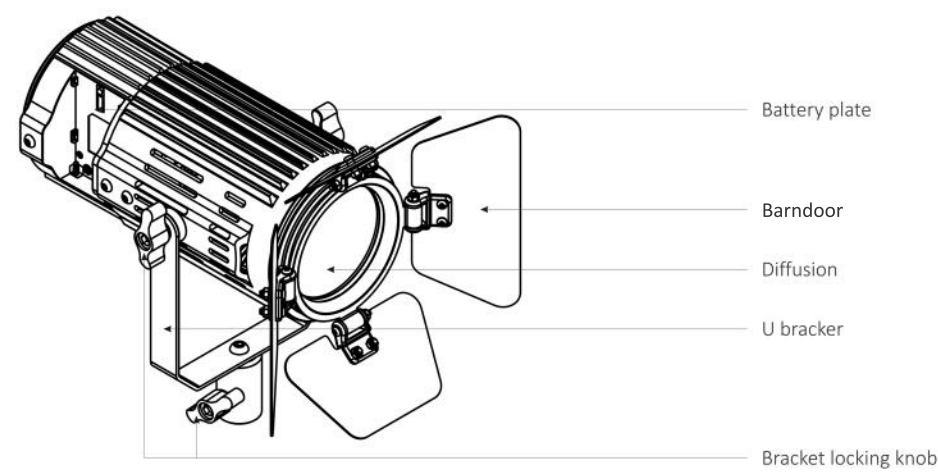
Main Features



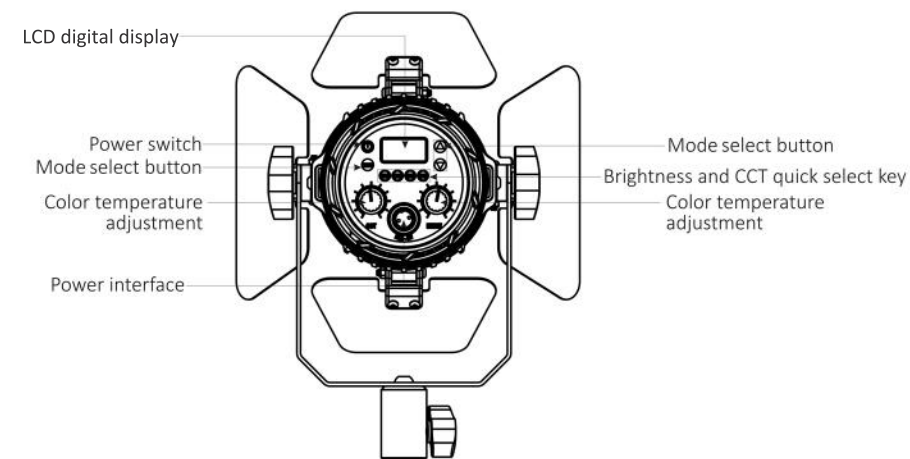
DRBRPLF400D/DRBRPLF400B
DRBRPLF600D/DRBRPLF600B

- Ultra Heat Dissipation
- Delicate Design with Engineering Plastic Housing
- High Color Rendering Index, CRI 96+
- PWM Dimming Technology
- LCD digital display
- Brightness Adjustment
- Color Temperature Adjustment
- Dual power system
- Convenient Light Set-Up and stabilization system

Front View



Back View

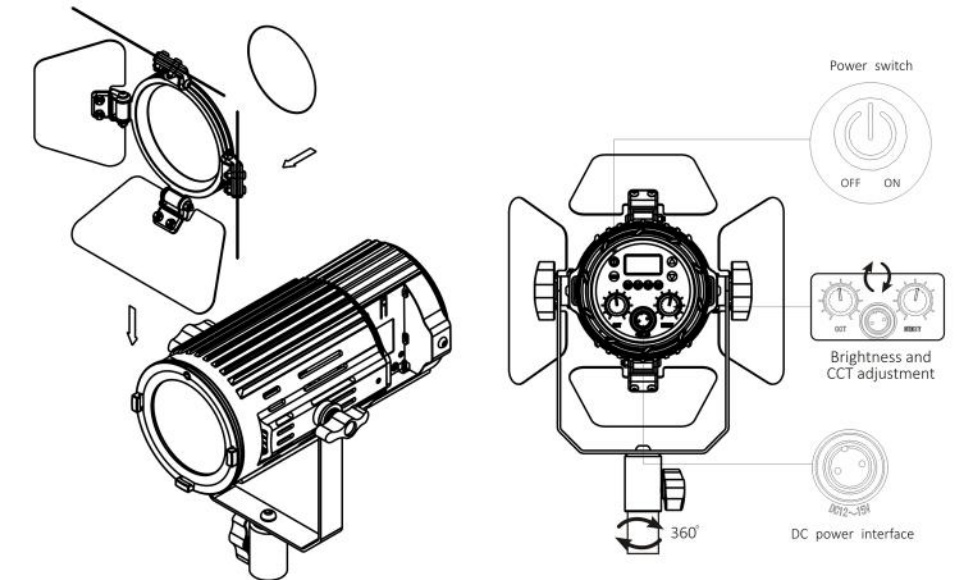


DRBRPLF400D/DRBRPLF400B
DRBRPLF600D/DRBRPLF600B

Accessories



Operations



1. Install the Barndoor to the light.
2. Install the BoltRay on the light stand by rotating clockwise, counterclockwise to uninstall it.
3. Insert the power adapter/Put on the battery. Turn on the power switch.
4. Rotate the brightness/color temperature adjustment wheel clockwise or select the brightness /CCT quick key to increase your brightness and color temperature.
5. Select the mode you need with the mode button.

Specifications:

Model	DRBRPLF400D DRBRPLF400B	DRBRPLF600D DRBRPLF600B
Details		
CRI	96+	96+
Voltage	DC 15V	DC 15V
Color Temperature	5600(±50) 3200~5600(±50)	5600(±50) 3200~5600(±50)
Power Consumption	40W	60W
Size	185*160*220mm	185*160*220mm

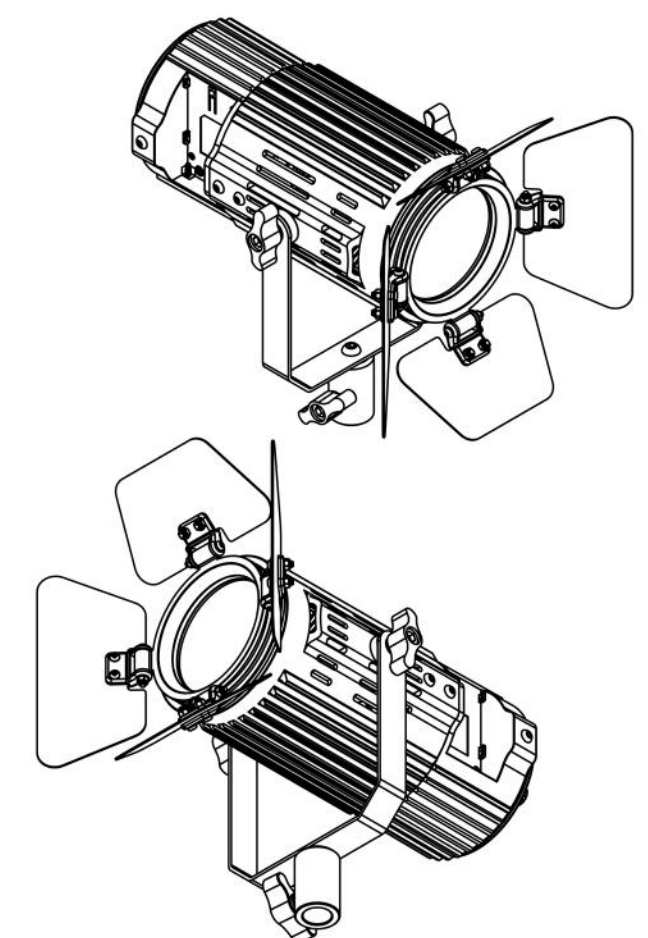
Attention:

1. Do not look at the working light directly.
2. Do not cover the light while it is in operation; covering the light will cause the product to cool improperly and possibly damage it.
3. Do not place the light near flammable items, such as alcohol, gasoline, or volatile solvent.
4. Do not place or let liquid seep into or on the light interior.
5. Power off the light when you finish use to avoid fire. In case of fire, power the unit off.
6. Carefully move the light in case of dropping it down.

DRACAST

www.dracast.com

DRACAST



DRBRPLF400D/DRBRPLF400B
DRBRPLF600D/DRBRPLF600B

Product Manual