

LEDGO

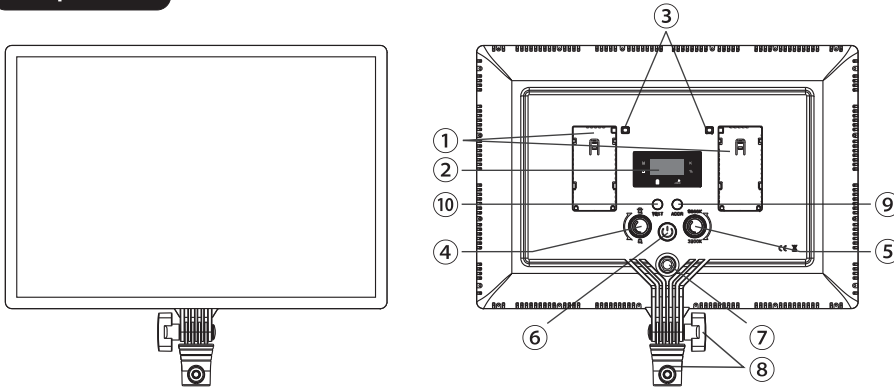
LG-E268C LED PAD LIGHT

Instruction Sheet

Extra Parameters:

LED Bulbs Amount: 268pcs Total Power: 26.8W CRI(Ra):95
Voltage: DC15V-24V Color Temperature: 5600K-3200K

Components:



1. Battery plate: Suitable for mounting Sony battery to supply power to the light. (NP-F series battery, battery need to be bought additionally.)
2. Digital display screen: It can show brightness, color temperature, lighting address and battery power, etc..
3. Battery lock button: Press this button to remove the battery.
4. Dimmer knob: To adjust brightness. When user adjusts the brightness, the digital display screen will show the data of brightness(ex. L000/L001/L002...L098/L099/L100).
5. Color temperature button: Users could change color temperature as their request under different shooting environment. In the meantime, the digital display screen will show corresponding color temperature(e.g. 3200/3300/3400/...5400/5500/5600).
6. Power switch: Press one second to on/off the lighting.
7. Power socket: For connecting with 15V-24V adapter(adapter bought additionally).
8. Fixing handle and fixing screw: For adjusting and fixing the illumination angle of LED light Pad and fixing LED light Pad on the light stand.
9. Lighting address adjusting button: Users can press this button to adjust lighting address, in the meantime, the digital display screen will show corresponding lighting address. (e.g. A001/A002/A003...A098/A099/A100)
Note: This product could cooperate with wifi control box (Bought additionally)that could realize smart phone wifi control or using 2.4 G remote controller (Bought additionally) for remote control brightness and color temperature.
10. Battery balance Testing button: When users press the button, the digital display screen will display the battery capacity. (e.g. "E-01/E-02/E-03...E-08/E-09/E-10"). The bigger number in the display shows more power, while the smaller number shows less power.

Instructions:

1. Mounting the LED pad light on the light stand, and adjusting to the best illumination direction.
2. Install battery or connect with power adapter. When powered by batteries, the batteries need to be installed on two battery plates of the light (Note: only when installed two batteries, the light could be on). Then press the battery balance testing button to check the battery balance. If powered with power adapter, only need to connect the DC plug to the power socket.
3. Please long press the power switch for one second to turn on.
4. Knob for adjusting brightness and color temperature. You could adjust the brightness and color temperature to the most ideal situation as your request.
5. After use, please long press the power switch for one second to turn off the light.

Notice:

1. Please turn off the power after use, in order to avoid waste of battery and longtime heat generation and further affect the service life of LED bulbs.
2. Don't directly adjust the direction of light when mounted on the light stand tightly, or it will be easy to damage the light.
3. Please install the battery gently, in order to avoid the battery plate damaged and out of shape.
4. When storage, please keep away from dampness.

? General Breakdown Service

The question mentioned here is not certainly caused by the breakdown, please check the lighting again before contact with the distributor and manufacturer, eliminate the following problems before send the light for reparation.

Description of Breakdown	Measurements
The lighting can not start up normally.	<ol style="list-style-type: none">1 Please check whether the batteries are installed firmly.2 Please check whether the switch is on or not.3 Please press battery balance indicator whether the batteries power are run out.4 Please check the connection between power adapter and pad light, whether it's loose, or the voltage of the adapter is too low.
The lighting is flickering.	<ol style="list-style-type: none">1 Please check whether the batteries are enough to power the light. Testing again with full capacity batteries.2 Please check whether the power adapter is suitable. Please connect with the adapter which is above 15V3A to try again.3 Please check whether there is high temperature object near making the operation environment temperature too high.

LEDGO TECHNOLOGY LIMITED

Add: Zhanglin Section, Highway 324, Dongli, Changhai, Shantou City, Guangdong Province, China
Tel: 0086-754-85354187 Fax: 0086-754-85300887
E-mail: info@ledgo.hk http://www.ledgo.hk