

产品规格

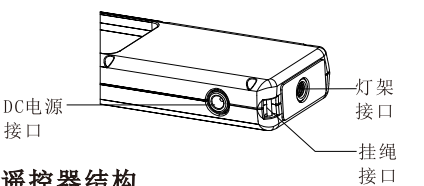
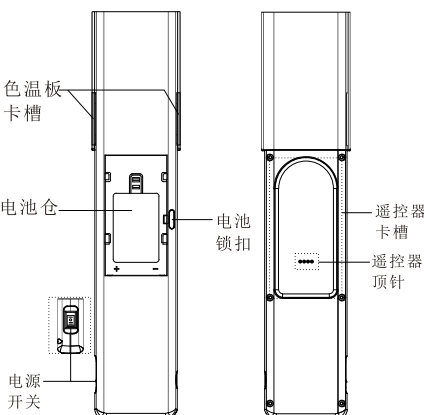
***5500K色温版**

光源	360颗LED灯珠与60颗RGB贴片灯		
色温	5500K和RGB全彩		
输出功率	21.6W和10.8W	遥控距离	小于15米
流明值	2880LM	平均寿命	50000小时
重量	805克	光照角度	55°和110°
适用电池	1个NP-F系列锂电池		
外接电源	12伏2安直流电源		
体积	583*48*24毫米		
所含物品:	摄像灯(1)、说明书(1)、色温板(1)、收纳袋(1)、挂绳(1)、遥控器(1)。 注: 如有缺失请与经销商联系		

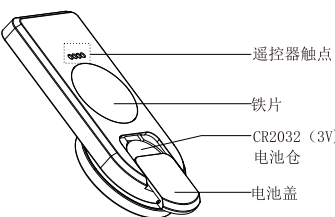
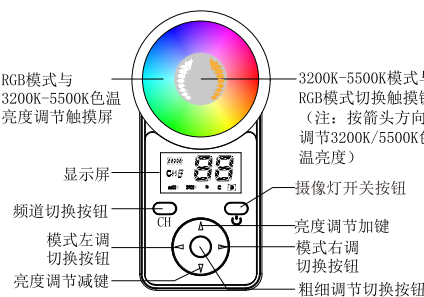
***3200K-5500K色温版**

光源	360颗LED灯珠与60颗RGB贴片灯		
色温	3200K、5500K和RGB全彩		
输出功率	21.6W和10.8W	遥控距离	小于15米
流明值	2790LM	平均寿命	50000小时
重量	805克	光照角度	55°和110°
适用电池	1个NP-F系列锂电池		
外接电源	12伏2安直流电源		
体积	583*48*24毫米		
所含物品:	摄像灯(1)、说明书(1)、色温板(1)、收纳袋(1)、挂绳(1)、遥控器(1)。 注: 如有缺失请与经销商联系		

产品结构

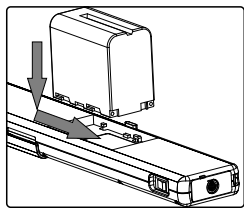


遥控器结构

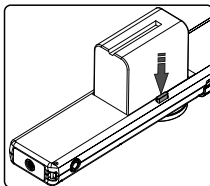


安装和固定

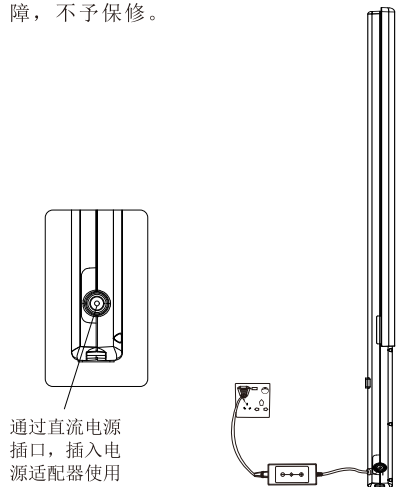
- 1、安装电池
 - a、安装锂电池时按箭头方向将电池装入卡槽。
 适用电池型号: NP-F550、NP-F750、NP-F970等。



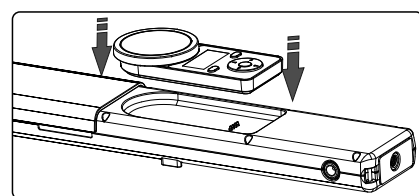
- b、拆卸锂电池时, 请先按下电池锁扣再取出锂电池。



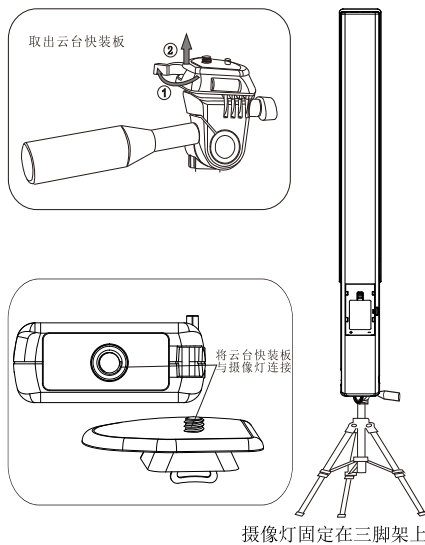
- 2、外接电源供电
可选配永诺电源适配器, 以获得摄像灯的长时间工作。当使用外接电源时, 摄像灯将自动切断电池供电且不对电池充电。电源接口为内正外负, 输入电压为12伏, 电流为2安。
注: 如使用其他电源适配器造成的产品故障, 不予保修。



- 3、遥控器插入摄像灯卡槽使用
当遥控器无安装电池时将遥控器插入摄像灯卡槽让遥控器铁片与摄像灯磁铁吸合便可使用, 如需远程控制摄像灯, 需给遥控器安装一个CR2032电池。

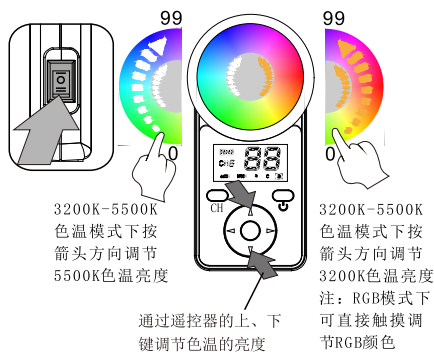


- 4、根据您的需要通过以下
方式固定摄像灯:
直接固定在三脚架上使用

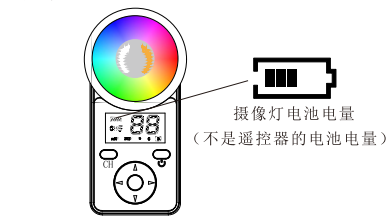


使用方法

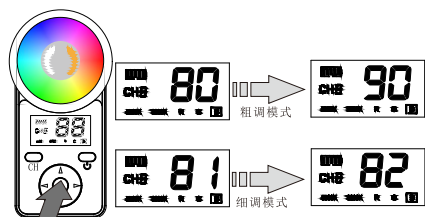
- 1、开关机按钮
先安装电池或插入DC电源, 再按电源开关, LED摄像灯点亮, 使用遥控器调节摄像灯的亮度。



- 2、电量测试
将遥控器插入摄像灯卡槽, 此时遥控器显示的是给摄像灯供电的电池电量; 如下图电池的电量为41%至60%。
注: 低亮度时测试与高亮度时测试剩余电量是不相同的, 测的是当前亮度下, 可以使用时间的长短。



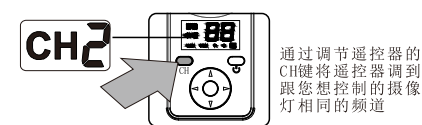
- 3、粗/细调模式
粗调、细调模式, 使用更方便。按下遥控器粗、细调节切换按钮进行粗调的切换, 切换到Coarse模式亮度按10%为一个调节单位, 再按下此按钮切换到Fine模式亮度按1%为一个调节单位。
注: 长按2秒粗/细调按钮, 锁定触摸屏, 不被误触; 再次长按解锁。



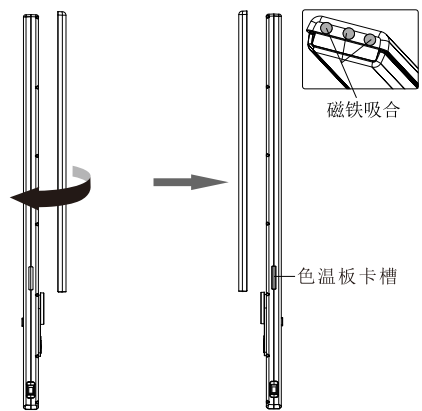
- 4、切换色温模式
按下遥控器左、右按钮切换色温模式。



- 5、频道切换按钮
a、将遥控器插入摄像灯卡槽, 短按遥控器CH键, 摄像灯与遥控器同步CH+, 遥控器切换到你所需要的频道, 当您取下遥控器时摄像灯保留与遥控器一致的频道。
b、假设此时遥控器切换至频道H2, 则此时摄像灯的频道也是CH2, 取下遥控器后摄像灯的频道将是CH2。只能遥控器插入摄像灯卡槽才可以切换摄像灯的频道。
c、如您购买多台此型号的摄像灯, 可以分组控制亮度与开关, 最多可分8组。(遥控器液晶屏可以显示有CH1-8的数字每个数字则对应相应的频道, 通过CH按钮来切换频道)。



- 6、更换色温板
本产品附带1块色温板, 从产品背后取出色温片, 将色温片放在摄影灯面壳前被顶部磁铁吸住与色温板卡槽卡住即可使用。
注: 长时间使用摄像灯时, 请取下散热孔位置的色温板, 以确保摄像灯散热效果。



- 7、手机APP遥控
本产品支持手机APP遥控摄像灯, 可以从永诺官网下载或通过扫描彩盒二维码点击下载, 手机APP将不间断更新, 请关注永诺官网手机APP最新版本信息, 以获得更好的使用体验。

- 8、特殊场景补光模式
1、长按CH按键2秒进入特殊场景模式, 显示F0。
2、短按CH按键切换F0-F9 (10种场景) 或左右按键切换10种不同的模式
3、短按粗/细调切换键暂停或启动特殊场景补光。
4、长按CH按键退出或关机退出。
F0, 模拟闪电
F1, 模拟电影荧幕反光
F2, 模拟烛光
F3, 模拟日出
F4, 模拟烟花
F5, 红绿蓝快速循环
F6, 红绿蓝慢速循环
F7, 模拟警车灯光
F8, 模拟救护车灯光
F9, 模拟消防车灯光

故障分析及排除

在使用过程中, 您可能遇到以下问题:

故障	原因	处理方法
打开电源开关完全无反应	电池电量不足 电路板损坏	使用新电池或外接电源使用 返厂维修
亮度不足, 调至最亮仍然很暗	电池电量不足	使用新电池或充电后使用
测试电量不准确, 调高亮度时显示低电量, 调低亮度后电量又满了	电池电量测试所指示的是: 当前亮度下能使用的时间长短。调高亮度后, 需要的电量更多, 所使用的时间变短, 故电量显示变少了	属于正常现象, 无需处理
无法遥控摄像灯	距离太远	遥控的距离在15米内
遥控器按钮调节有反应, RGB触摸调节摄像灯无反应	遥控器电池电量较低	给遥控器更换新电池

本手册中的功能是依据本公司的测试条件获得, 设计和规格如有变更, 恕不另行通知。
深圳市永诺摄影器材股份有限公司
地址: 深圳市坪山区坑梓街道深福保现代光学厂区A座
电话: 0755-8376 2448
网址: www.hkyongnuo.com
生产地址: 深圳市龙华区观湖街道松元厦社区环观中路104号301A栋3楼B栋3楼B栋4楼
售后电话: 400-0013-888

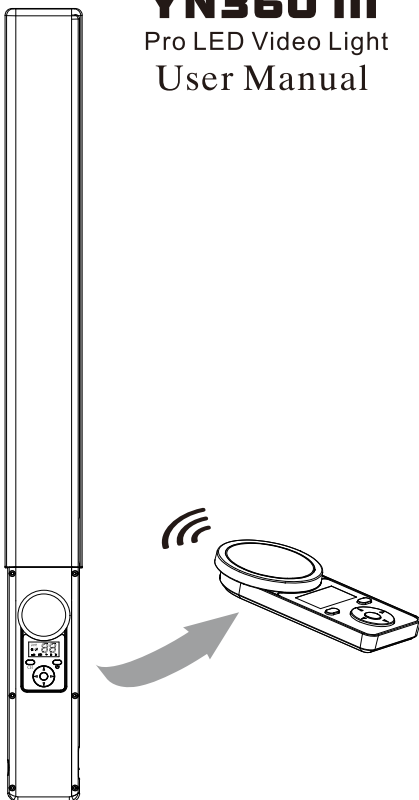
功能简介

- 1、YN360 III是永诺全新LED补光棒, 产品补光亮度和补光范围更加强大; RGB模式调节更简单, 满足您的各类补光需要。
- 2、YN360 III采用360颗高显指灯珠和60颗RGB全彩贴片灯相结合的补光效果。
- 3、YN360 III配置专有多频道无线遥控器, 可通过遥控器触摸屏轻松调节RGB模式, 同时支持8组摄像灯的分频控制。
- 4、YN360 III支持手机APP控制LED摄像灯, 读取当前LED摄像灯的亮度及分组频道, 可分别控制8组摄像灯的开关及亮度, 轻松完成摄影需要。
- 5、YN360 III支持双电源输入, 支持NP-F系列电池和外接直流电源, 满足你各类环境的使用需要。
- 6、YN360 III采用永诺专有的LED恒流驱动技术, 拍摄时摄像灯绝不出现波纹、频闪等现象。

注意事项

- 1、使用时请将摄像灯处于通风环境, 并保持摄像灯散热孔不被堵塞。
- 2、请勿私自拆卸产品, 如产品出现故障须本公司或授权维修人员处理。
- 3、设备运行时请不要近距离直视光线。
- 4、请勿在易燃易爆和暴露在雨中使用。
- 5、请勿让儿童接触本产品。

YN360 III
Pro LED Video Light
User Manual



Thank you for using the YN360 III LED video light. Please read the manual carefully and keep this user manual properly for reference.

Function Introduction

- YN360 III is YONGNUO brand new LED video light which brings you a more powerful fill light brightness and more wider fill light range, with easier RGB mode adjustment to meet your various fill light needs.
- YN360 III uses a combination of 360 high-definition lamp beads and 60 RGB full-color patch lights.
- The YN360 III is equipped with a proprietary multi-channel wireless remote control that easily adjusts the RGB mode via the remote control touch screen, making RGB mode adjustment easier. At the same time, it supports the frequency division control of 8 groups of video lights.
- YN360 III supports mobile phone APP to control the LED video light, reads the brightness and group channel of the current LED video light, can control the switch and brightness of 8 groups of video lights separately, and easily complete the photography needs.
- YN360 III supports dual power input, supports NP-F series battery and external DC power supply, to meet the needs of your various environments.
- YN360 III adopts YONGNUO proprietary LED constant-current drive technology, will not appear ripples or stroboscopic phenomena during the shooting.

precautions

- This product should be used under the ventilated environment. Please make sure the heat emission hole won't be blocked when you are using this speed-lite.
- Do not disassemble the product, maintenance or repair of this product should be carried through by technical maintenance personnel of our company or technical maintenance personnel authorized.
- When the equipment is running, do not look into the light directly and closely.
- Do not use this product in flammable and explosive place, or where it can be exposed to moisture.
- Please keep this product away from the children.

Product Specifaion

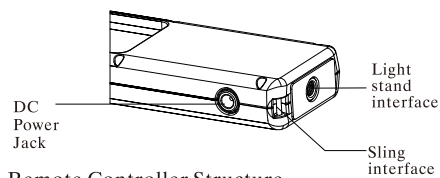
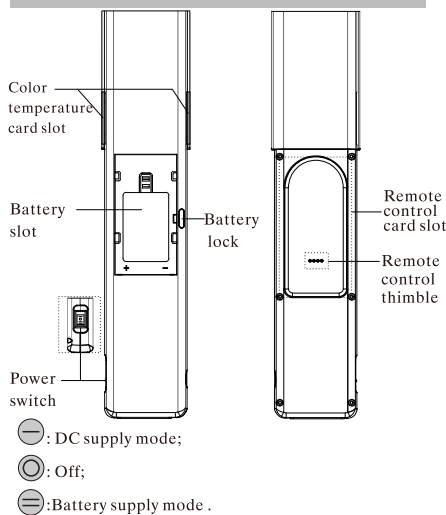
*5500K color temperature

Light Source	360 LED lamp beads and 60 RGB SMD lamps		
Color Temperature	5500K and RGB full color		
Output power	21.6W and 10.8W	Control distance	<15M
Lumen	2880LM	Average Service Life	50000H
Weight	805G	Luminance Angle	55°and 110°
Compatible batteries	One NP-F series lithium batteries		
External power source	12V2A DC power supply		
Size	583*48*24mm		
Contents : Video light (1)、 User Manual (1)、 CT Filters (1)、 Storage Bag(1)、 Sling(1)、 Remote Controller(1). Note: Please contact your dealer if anything missing.			

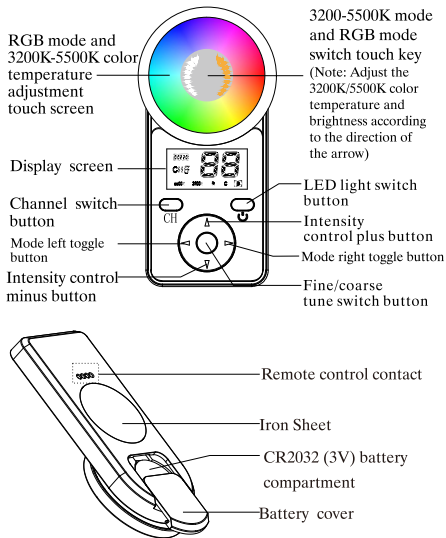
*3200K-5500K color temperature

Light Source	360 LED lamp beads and 60 RGB SMD lamps		
Color Temperature	3200K、 5500K and RGB full color		
Output power	21.6W and 10.8W	Control distance	<15M
Lumen	2790LM	Average Service Life	50000H
Weight	805G	Luminance Angle	55°and 110°
Compatible batteries	One NP-F series lithium batteries		
External power source	12V2A DC power supply		
Size	583*48*24mm		
Contents : Video light (1)、 User Manual (1)、 CT Filters (1)、 Storage Bag(1)、 Sling(1)、 Remote Controller(1). Note: Please contact your dealer if anything missing.			

Product Structure

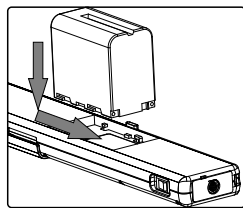


Remote Controller Structure

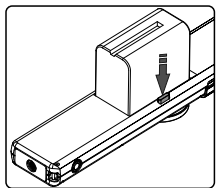


Installation and fixed

1. Battery Installation
When installing the lithium battery, please put the battery into the slot in the direction of the arrow.
NOTE: Applicable batteries: NP-F550, NP-F750, NP-F970, etc.

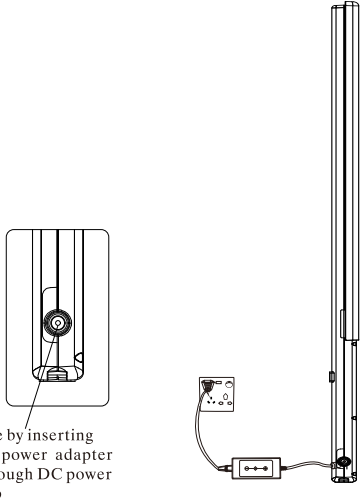


b. When removing the lithium batteries, please press the battery lock and then take out the lithium batteries.



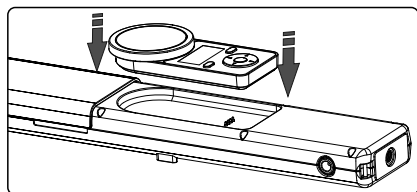
2. External Power Supply

It is recommended to use YONGNUO power adapter with YN360 III to obtain lasting service time. When using external power supply, the video light will stop the battery power supply automatically and will not get the battery charged. The external power supply interface outside is positive and the interface inside is negative. The input voltage is 12V and the electric current is 2A.
Note: If YN360 III defective when it is used with power adapter of other brands, YN360 III will no longer be guaranteed for repair.

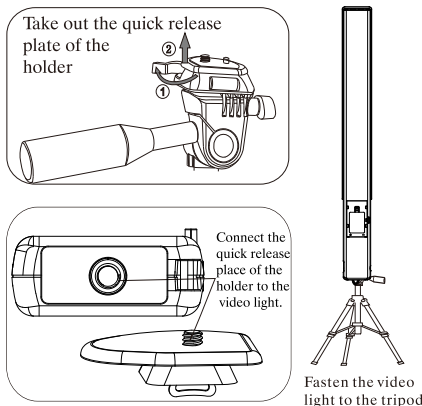


3. Put the remote control into the video light card slot to use.

When the remote-controller is not equipped with batteries, insert the remote-controller into the video card slot, you can use it when the remote control iron plate and the camera light magnet absorbed together. If remotely control the video light needed, install a CR2032 battery to the remote control.

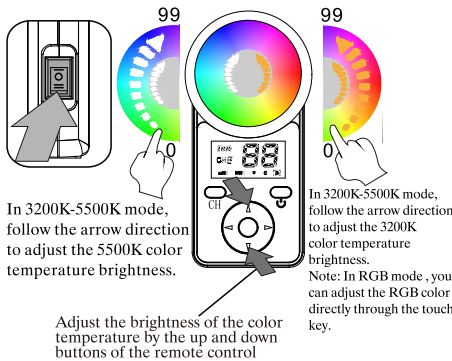


4. Fasten video light as follow as needed:
Fasten the video light to the tripod directly.

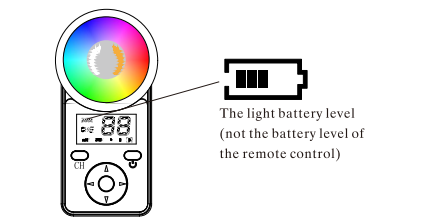


Method Application

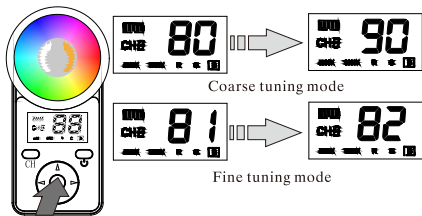
1. Startup & Shutdown Button
Install the batteries or insert the DC power supply, and then press the power switch, the LED video light lights up. Put the remote controller into the LED video light and use it to adjust the brightness.



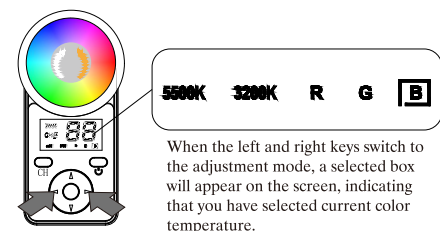
2. Power test
Insert the remote control into the video light card slot, the remote control displays the battery power for the video light. The battery power is 41% to 60% as shown below.



3. Coarse/Fine adjusting Switch Button
Fine/Coarse Tune Mode Press fine/coarse tune button on the remote cotroller to switch the tune mode. When the tune mode is switched to coarse tune mode, the adjusting unit of the brightness is 10%; when it's fine tune mode, the adjusting unit is 1%.
Note: Press and hold the 2 second coarse/fine button to lock the touch screen to avoid mistake touch; long press again to unlock.



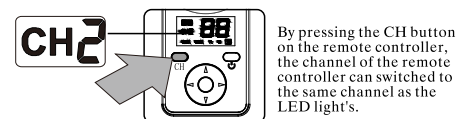
4. Switch color temperature mode
Press the left and right buttons of remote control to switch the color temperature mode.



5. Channel switch button
A. Put the remote controller into the card slot of the video light, short press [CH] button on the controller, and the video light and the controller synchronously CH+, the controller will be switched to the channel needed. When you take the controller off, the channel of the video light and the channel of the controller is consistent.

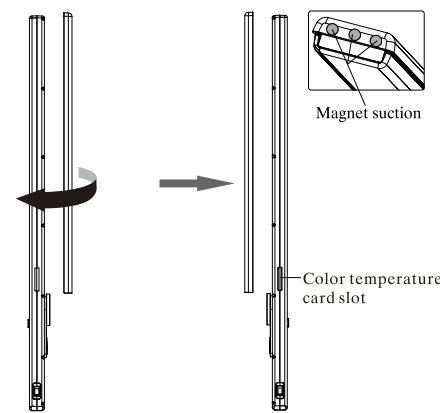
B. For example, if the channel of the controller is switched to channel H2, the channel of the video light is as well CH2. To switch the channel of the video light, the remote controller should be inserted to the card slot of the video light.

C. If you possess several YN360 III, you can group control the brightness and switches; the groups at most is 8 groups. (The LCD screen of the remote control can display the number of CH1-8, each number corresponds to the corresponding channel, you can change the channel through the CH button.)



6. Color Temperature Filters

This product comes with a color temperature plate, take the color temperature film out from the back of the product and placed it in the front of the photographic lamp face, when it sucked by the top magnet and stick into the color temperature card slot, it ready to use.
Note: When using the video light for a long time, please remove the color temperature plate at the position of the heat dissipation hole to ensure the heat dissipation effect of the video light.



7. Mobile APP Remote Control

The product supports mobile remote control, the APP can be downloaded from the YONGNUO official website or download through scanning the two-dimension code on the gift box, Moible phone APP will be updated continuously. Please pay attention to YONGNUO official website for latest version of APP to get better remote control experience.

8. Special Scene Supplementary Lighting Mode

- Long press CH button for 2 seconds to enter special scene mode ,F0 displays.
- Short press CH button to switch F0-F9 (10 scenes) or left right button to switch 10 different scenes.
- Short press coarse/fine tuning switch button to pause or start the special scene supplementary lighting.
- Long press CH button to exit or power off and exit.

- F0. Simulates lightning
- F1. Simulates movie screen reflect light
- F2. Simulates candlelight
- F3. Simulates sunrise
- F4. Simulates firework
- F5. Rapid cycle among red, green, blue
- F6. Slow cycle among red, green, blue
- F7. Simulates police car light
- F8. Simulates ambulance light
- F9. Simulates fire fighting truck light

Failure Analysis and Troubleshooting

When using this product, you may encounter the following problems.

Description	Cause	Troubleshooting
No reaction after power on	Low Battery	Install new batteries or connect external power supply
	Damaged circuit board	Depot repair
Inadequate or low luminance at the greatest luminous intensity	Low battery	Install new batteries or re-charge the batteries
Inaccurate battery capacity test; low battery in high luminance and full battery in low luminance.	The battery capacity indicates the length of time available for the use in the current luminance. Higher luminance required more power and the length of time available for use will be shortened, so the battery capacity shown gets lower	Normal phenomenon and no measure needed
The mobile phone could not remote control the video light	Too far away	The remote control distance is within 15 meters
When press the remote control button, the light responds, the RGB touch adjustment, the light does not respond.	Remote controller has a low battery	Replace the remote controller with a new battery

The functions in this manual are based on the test conditions our company. Further notice will not be given if the design and specifications change.
SHENZHEN YONGNUO PHOTOGRAPHY EQUIPMENT Co.Ltd.
Add: Building A, Shenfubao modern optics factory, Kengzi Street, Pingshan District, Shenzhen
TEL:0755-8376 2448
Web: www.hkyongnuo.com
Manufacture address: 3/F 4/F Building B 3/F Building A 301 No. 104 Huangquanzhong Rd. Songyuansha Community Guanhu Str. Longhua Shenzhen
After-sales Service TEL: 400-0013-888