

WOODEN CAMERA[®]

UNIFIED BASEPLATE

UNIVERSAL INSTALLATION GUIDE

UNIFIED BASEPLATES

(FS7, CANON C-SERIES)
SKU:222100



(FS5, EVA1, VARICAM LT/35)
SKU:222400



(VENICE, URSA MINI, F55/F5)
SKU:222200



(CANON C200, C200B, C700)
SKU:242800



© Wooden Camera, Inc. 2011-2019

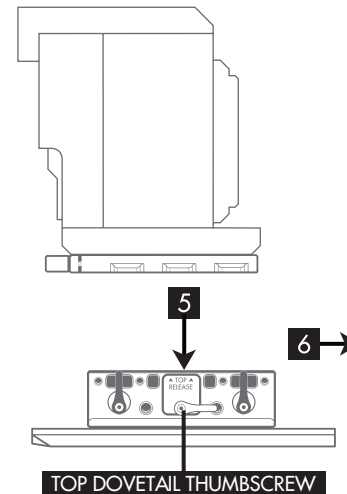
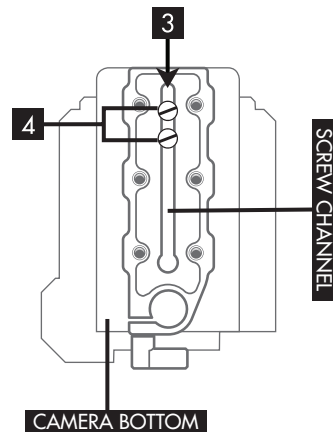
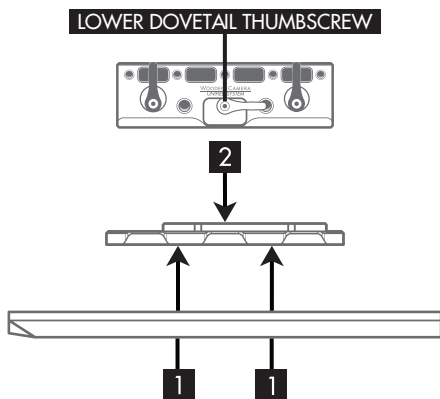
INSTALLATION

- 2x 1/4-20 low profile screw
- 2x 3/8-16 low profile screw

 1. Attach Lower Dovetail to Bridgeplate or Tripod Plate using appropriate screws with Lens Arrows facing forward.
 2. Select Baseplate Core, drop onto Dovetail, slide forward and tighten Thumbscrew.

3. Select Top Dovetail, locate Screw Channel, and insert 3/8-16 or 1/4-20 Screws as needed.
4. Locate 1/4-20 or 3/8-16 Holes on Camera Bottom, align, and tighten top Dovetail to Camera.

5. With Camera Lens facing forward, lower Camera and Top Dovetail into Core.
6. Slide Camera forward and tighten Top Dovetail Thumbscrew.



LENS SUPPORT

To use Vertical 15mm Rod Clamp as Lens Support, insert 1/4-20 or 3/8-16 Screw into Screw Channel, with Rod Clamp under Lens Mount, align 15mm Hole to desired position and install Unified Lens Adapter Support Kit (SKU 227900 sold separately). Tighten screws to camera and Thumbscrew to 15mm support.

