

IN5316HD/IN5318

User's Guide
Mode d'emploi
Benutzeranleitung
Manual de Uso
Guida all'uso
Gebruikershandleiding
Guia do Usuário
Användarhandbok
Руководство по пользователю

사용 설명서
用戶指南
Panduan Pengguna
Brugervejledning
Käyttöohje
Brukerhåndbok
Instrukcja obsługi
用戶手冊
Kullanım Kılavuzu



Regulatory Model: IN5316HD/IN5318
DISPERINDAG No. 0287/1.824.51/09.03

3534181801



InFocus

Bright Ideas Made Brilliant

Copyright

This publication, including all photographs, illustrations and software, is protected under international copyright laws, with all rights reserved. Neither this manual, nor any of the material contained herein, may be reproduced without written consent of the author.

© Copyright 2011

Disclaimer

The information in this document is subject to change without notice. The manufacturer makes no representations or warranties with respect to the contents hereof and specifically disclaims any implied warranties of merchantability or fitness for any particular purpose. The manufacturer reserves the right to revise this publication and to make changes from time to time in the content hereof without obligation of the manufacturer to notify any person of such revision or changes.

Trademark Recognition

Apple, Macintosh, and PowerBook are trademarks or registered trademarks of Apple Computer, Inc. IBM is a trademark or registered trademark of International Business Machines, Inc. Microsoft, PowerPoint, and Windows are trademarks or registered trademarks of Microsoft Corporation. Adobe and Acrobat are trademarks or registered trademarks of Adobe Systems Incorporated. DLP®, DLP Link and the DLP logo are registered trademarks of Texas Instruments and BrilliantColor™ is a trademark of Texas Instruments. InFocus, In Focus, and INFOCUS (stylized) are either registered trademarks or trademarks of InFocus Corporation in the United States and other countries.

HDMI, the HDMI Logo, and High-Definition Multimedia Interface are trademarks or registered trademarks of HDMI Licensing LLC in the United States and other countries.

DisplayPort is a registered trademark of the Video Electronics Standards Association, registered in the U.S. and the other countries.

All other product names used in this manual are the properties of their respective owners and are acknowledged.

Important Safety Information

Important:

It is strongly recommended that you read this section carefully before using the projector. These safety and usage instructions will ensure that you enjoy many years of safe use of the projector. Keep this manual for future reference.

Symbols Used

Warning symbols are used on the unit and in this manual to alert you of hazardous situations.

The following styles are used in this manual to alert you to important information.

Note:

Provides additional information on the topic at hand.

Important:

Provides additional information that should not be overlooked.

Caution:

Alerts you to situations that may damage the unit.

Warning:

Alerts you to situations that may damage the unit, create a hazardous environment, or cause personal injury.

Throughout this manual, component parts and items in the On-Screen Display (OSD) menus are denoted in bold font as in this example: "Push the **MENU** button on the remote control to open the **DISPLAY** menu."

General Safety Information

- Do not open the unit case. Aside from the projection lamp, there are no user-serviceable parts in the unit. For servicing, contact InFocus at www.infocus.com/support
- Follow all warnings and cautions in this manual and on the unit case.
- The projection lamp is extremely bright by design. To avoid damage to eyes, do not look into the lens when the lamp is on.
- Do not place the unit on an unstable surface, cart, or stand.
- Avoid using the system near water, in direct sunlight, or near a heating device.
- Do not place heavy objects such as books or bags on the unit.

Caution:

Avoid using the projector in dusty environments.

Important:

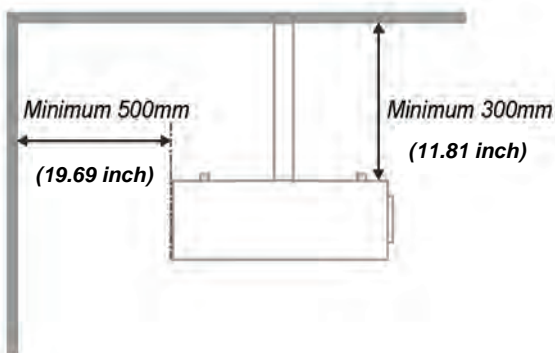
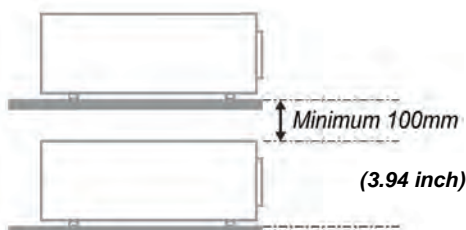
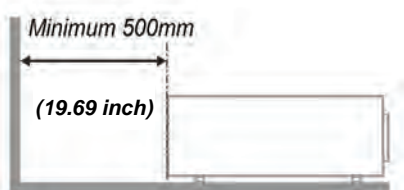
Ventilation openings on the projector allow for good air circulation, which keeps the projector lamp cool. Do not obstruct any of the ventilation openings.

Projector Installation Notice

- Place the projector in a horizontal position
The tilt angle of the projector should not exceed 15 degrees, nor should the projector be installed in any way other than the desktop and ceiling mount, otherwise lamp life could decrease dramatically.



- Allow at least 50 cm (19.69 inch) clearance around the exhaust vent.



- Ensure that the intake vents do not recycle hot air from the exhaust vent.
- When operating the projector in an enclosed space, ensure that the surrounding air temperature within the enclosure does not exceed 5 – 35°C (41– 95°F) while the projector is running, and the air intake and exhaust vents are unobstructed.
- All enclosures should pass a certified thermal evaluation to ensure that the projector does not recycle exhaust air, as this may cause the device to shutdown even if the enclosure temperature is within the acceptable 5 – 35°C (41– 95°F) range.

Power Safety

- Only use the supplied power cord.
- Do not place anything on the power cord. Place the power cord where it will not be in the way of foot traffic.
- Remove the batteries from the remote control when storing or not in use for a prolonged period.

Replacing the Lamp

Replacing the lamp can be hazardous if done incorrectly. See *Replacing the Projection Lamp* on page 39 for clear and safe instructions for this procedure. Before replacing the lamp:

- Unplug the power cord.
- Allow the lamp to cool for about one hour.

Cleaning the Projector

- Unplug the power cord before cleaning. See *Cleaning the Projector* on page 42.
- Allow the lamp to cool for about one hour.

Regulatory Warnings

Before installing and using the projector, read the regulatory notices in the *Regulatory Compliance* section on page 54.

Important Recycle Instructions:



Lamp(s) inside this product contain mercury. This product may contain other electronic waste that can be hazardous if not disposed of properly. Recycle or dispose in accordance with local, state, or federal laws. For more information, contact the Electronic Industries Alliance at www.eiae.org. For lamp specific disposal information check www.lamprecycle.org.

Symbol Explanations



DISPOSAL: Do not use household or municipal waste collection services for disposal of electrical and electronic equipment. EU countries require the use of separate recycling collection services.

About this Manual

This manual is intended for end users and describes how to install and operate the DLP projector. Wherever possible, relevant information—such as an illustration and its description—has been kept on one page. This printer-friendly format is both for your convenience and to help save paper, thereby protecting the environment. It is suggested that you only print sections that are relevant to your needs.

Table of Contents

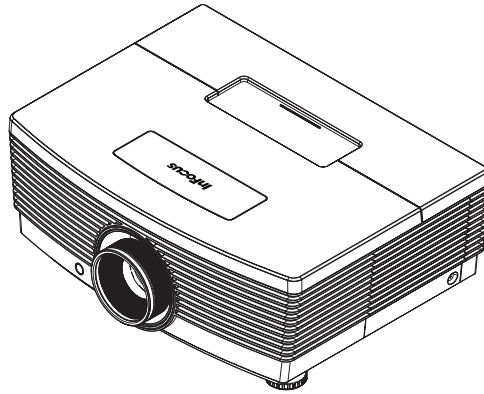
GETTING STARTED	1
PACKING CHECKLIST.....	1
VIEWS OF PROJECTOR PARTS.....	2
<i>Front-angled View</i>	2
<i>Top view—On-screen Display (OSD) buttons</i>	3
<i>Rear view</i>	4
<i>Bottom view</i>	6
REMOTE CONTROL PARTS.....	7
SETUP AND OPERATION	9
INSERTING THE REMOTE CONTROL BATTERIES.....	9
INSTALLING OR REMOVING THE OPTIONAL LENS.....	10
<i>Removing the Existing Lens From the Projector</i>	10
<i>Installing the New Lens</i>	11
STARTING AND SHUTTING DOWN THE PROJECTOR.....	12
ADJUSTING THE PROJECTOR LEVEL.....	14
ADJUSTING PROJECTED IMAGE POSITION USING SHIFT.....	15
<i>Adjusting the vertical image position</i>	15
<i>Adjusting the horizontal image position</i>	16
<i>Shift Range Diagram</i>	16
ADJUSTING ZOOM, FOCUS AND KEYSTONE.....	17
ADJUSTING THE VOLUME.....	18
ON-SCREEN DISPLAY (OSD) MENU SETTINGS	19
OSD MENU CONTROLS.....	19
<i>Navigating the OSD</i>	19
SETTING THE OSD LANGUAGE.....	20
OSD MENU OVERVIEW.....	21
PICTURE>>BASIC MENU.....	22
PICTURE>>ADVANCED MENU.....	23
<i>HSG Adjustment</i>	24
DISPLAY MENU.....	25
<i>PC Detail Adjustment</i>	26
SETUP>>BASIC MENU.....	27
<i>Menu Settings</i>	28
<i>Source</i>	29
<i>Lan Control Settings</i>	30
SETUP>>ADVANCED MENU.....	34
<i>Audio</i>	35
<i>Lamp</i>	36
<i>HDMI</i>	36
<i>Closed Caption</i>	37
<i>Presentation Timer</i>	37
STATUS MENU.....	38
MAINTENANCE AND SECURITY	39
REPLACING THE PROJECTION LAMP.....	39
CLEANING THE PROJECTOR.....	42
<i>Cleaning the Lens</i>	42
<i>Cleaning the Case</i>	42
TROUBLESHOOTING	43
COMMON PROBLEMS AND SOLUTIONS.....	43
TIPS FOR TROUBLESHOOTING.....	43
LED ERROR MESSAGES.....	44
IMAGE PROBLEMS.....	44
LAMP PROBLEMS.....	45
REMOTE CONTROL PROBLEMS.....	45

AUDIO PROBLEMS	46
HAVING THE PROJECTOR SERVICED	46
HDMI Q & A	47
SPECIFICATIONS	48
SPECIFICATIONS.....	48
PROJECTION DISTANCE VS. PROJECTION SIZE (1080P)	49
<i>Projection Distance and Size Table</i>	49
PROJECTION DISTANCE VS. PROJECTION SIZE (WUXGA)	50
<i>Projection Distance and Size Table</i>	50
TIMING MODE TABLE	51
PROJECTOR DIMENSIONS	53
REGULATORY COMPLIANCE.....	54
FCC WARNING.....	54
CANADA	54
WEEE	54
SAFETY CERTIFICATIONS.....	54

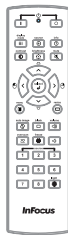
GETTING STARTED

Packing Checklist

Carefully unpack the projector and check that the following items are included:



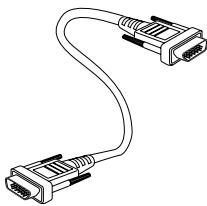
DLP PROJECTOR



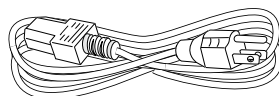
*REMOTE CONTROL
(BATTERIES NOT INCLUDED)*



*CD-ROM
(THIS USER'S MANUAL)*



VGA CABLE



*POWER CORD
(VARIES PER COUNTRY)*



REGISTRATION CARD



SAFETY BOOKLET



QUICK START GUIDE

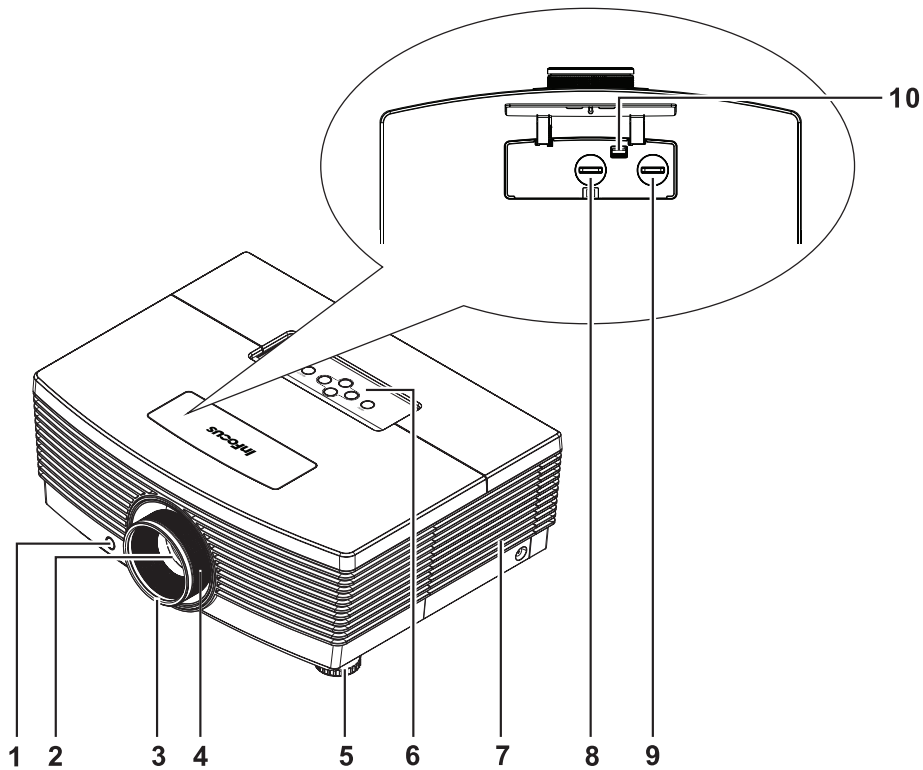


WARRANTY BOOKLET

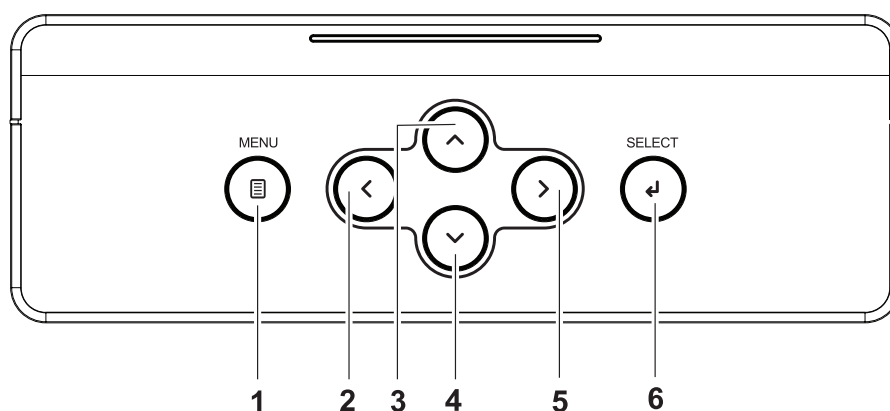
Contact your dealer immediately if any items are missing, appear damaged, or if the unit does not work. It is recommended that you keep the original packing material should you ever need to return the equipment for warranty service.

Views of Projector Parts

Front-angled View

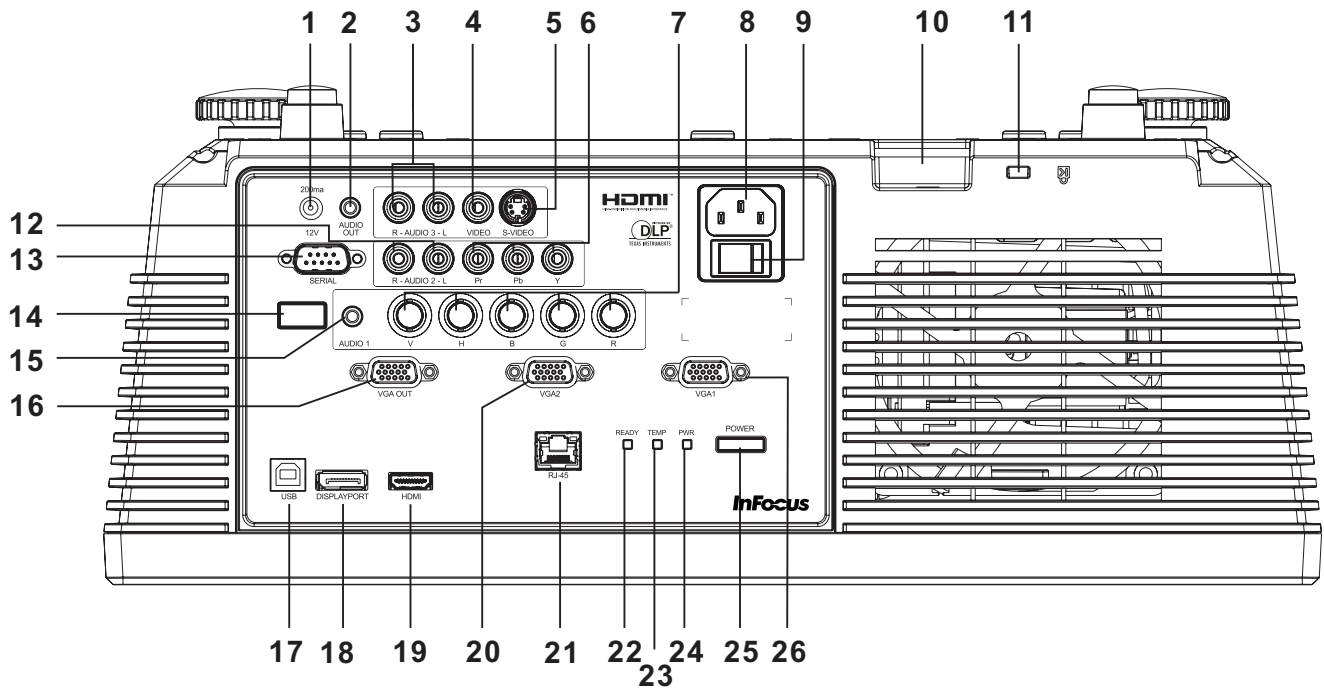


ITEM	LABEL	DESCRIPTION	SEE PAGE:
1.	IR receiver	Receives the IR signals from the remote control	7
2.	Lens	Projection Lens	
3.	Focus ring	Focuses the projected image	17
4.	Zoom ring	Enlarges the projected image	
5.	Elevator foot	Adjusts level of projector	14
6.	Function keys	See Top view—On-screen Display (OSD) buttons.	3
7.	Lamp cover	Remove cover to replace lamp	39
8.	Vertical lens shift	Adjusts the image position vertically	15
9.	Horizontal lens shift	Adjusts the image position horizontally	16
10.	Lens release button	Press the release button before attempting to replace the lens	10

Top view—On-screen Display (OSD) buttons

ITEM	LABEL	DESCRIPTION	SEE PAGE:
1.	MENU	Open and exit OSD menus	19
2.	◀ (Left cursor)	Navigate and change settings in the OSD Quick Menu – For Volume	
3.	▲ (Up cursor)	Navigate the OSD Quick Menu – For Keystone	
4.	▼ (Down cursor)	Navigate the OSD Quick Menu – For Keystone	
5.	▶ (Right cursor)	Navigate and change settings in the OSD Quick Menu – For Volume	
6.	SELECT	Enter or confirm highlighted OSD menu item	

Rear view



ITEM	LABEL	DESCRIPTION	SEE PAGE:
1.	DC 12V TRIGGER	Connect a 12V screen trigger (200ma max)	
2.	AUDIO OUT	Connect an AUDIO CABLE to an external speaker system	
3.	AUDIO3 (L and R)	Connect the AUDIO CABLE from an input device	
4.	VIDEO	Connect the COMPOSITE CABLE from a video device	
5.	S-VIDEO	Connect the S-VIDEO CABLE from a video device	
6.	YPbPr	Connect the COMPONENT CABLE from a component video enabled device	
7.	BNC	Connect the BNC CABLES from a computer or a video enabled device	
8.	AC IN	Connect the POWER CABLE	12
9.	Power Switch	Connects AC power to the projector	
10.	Safety Cable Anchor	Secure a ceiling mount safety cable to this anchor	
11.	Security Lock	Connect a security lock system to the projector and attach to a permanent object	
12.	AUDIO 2 (L and R)	Connect the AUDIO CABLES from an input device	
13.	SERIAL	Connect an RS-232 serial port cable for command control	
14.	IR receiver	Receives the remote control IR signal	7
15.	AUDIO 1	Connect the AUDIO CABLE from an input device	
16.	VGA OUT	Connect the RGB cable to a display (Pass through by VGA1 only)	

17.	USB	Connect the USB CABLE from a computer (used for presentation slide control with the projector remote)		
18.	DISPLAYPORT	Connect a DISPLAYPORT CABLE to a DISPLAYPORT source		
19.	HDMI	Connect the HDMI CABLE from an HDMI device		
20.	VGA2	Connect the RGB CABLE from a computer or a video enabled device		
21.	RJ45	Connect a LAN CABLE for networking purposes		
22.	READY LED	Solid Red	Normal operation	44
		Flashing Red	Lamp is not ready	
23.	TEMP LED	Solid Red	Overheating	
24.	PWR LED	Solid Red	Standby	
		Solid Green	Normal operation	
		Flashing Green or Red	LED error messages	
25.	POWER button	Turns the projector on or off (main power switch must be turned on first).		12
26.	VGA1	Connect the RGB CABLE from a computer or a video enabled device		

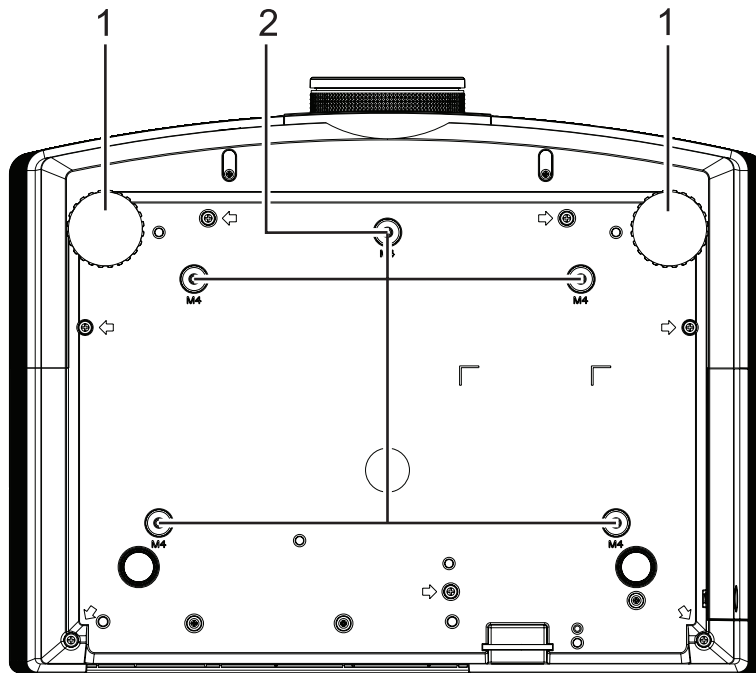
Note:

If your video equipment has various input sources, it is recommended to connect in priority of HDMI, component, S-Video, Composite for better picture quality.

Warning:

As a safety precaution, disconnect all power to the projector and connecting devices before making connections.

Bottom view



ITEM	LABEL	DESCRIPTION	SEE PAGE:
1.	Leveling/Elevator Feet	Raise and rotate the feet to change and fine tune the angle of the projector.	14
2.	Ceiling support holes	Only use with an InFocus ceiling mount system (p/n PRJ-MNT-UNIV). See your InFocus dealer or go to www.infocusstore.com .	

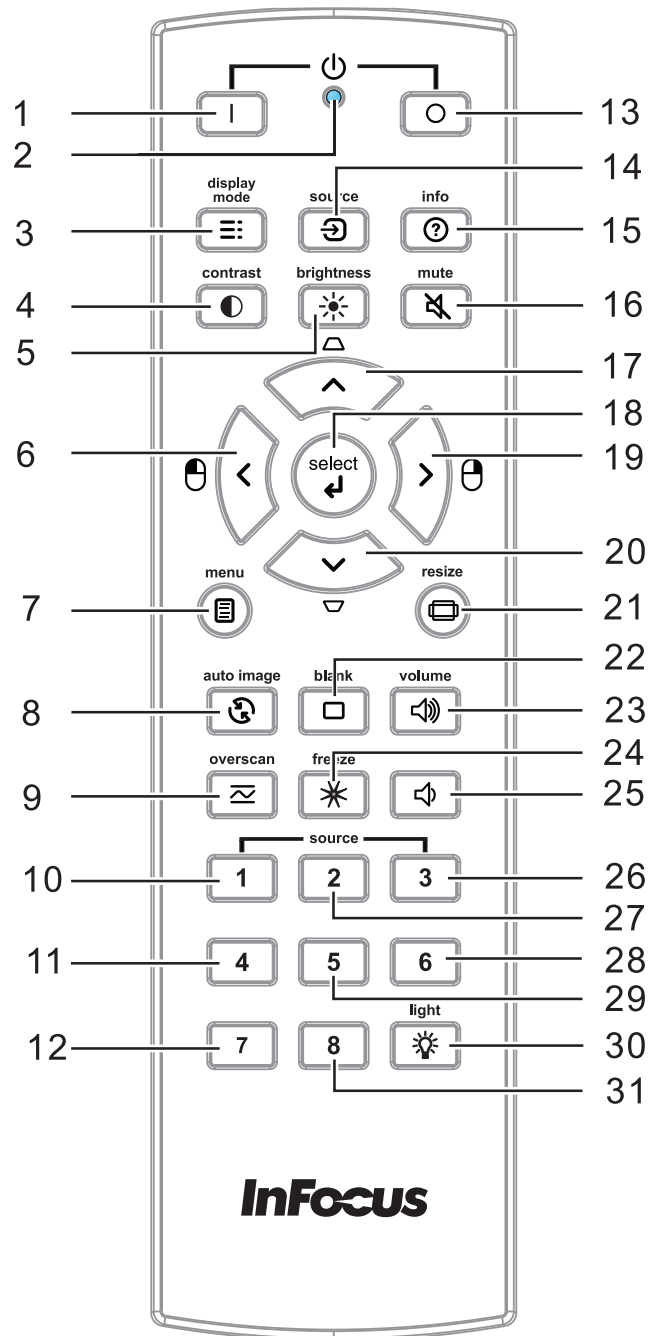
Note:

When installing, ensure that you use only UL Listed ceiling mounts.

For ceiling installations, use approved mounting hardware and M4 screws with a maximum screw depth of 6 mm (0.23 inch).

The construction of the ceiling mount must be of a suitable shape and strength. The ceiling mount load capacity must exceed the weight of the installed equipment, and as an additional precaution be capable of withstanding three times the weight of the equipment over a period of 60 seconds.

Remote Control Parts



Important:

1. Avoid using the projector with bright fluorescent lighting turned on. Certain high-frequency fluorescent lights can disrupt remote control operation.

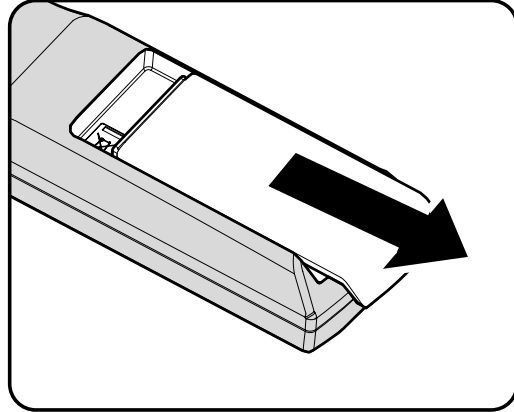
2. Be sure nothing obstructs the path between the remote control and the projector. If the path between the remote control and the projector is obstructed, you can bounce the signal off certain reflective surfaces such as projector screens.

3. The buttons and keys on the projector have the same functions as the corresponding buttons on the remote control. This user’s manual describes the functions based on the remote control.

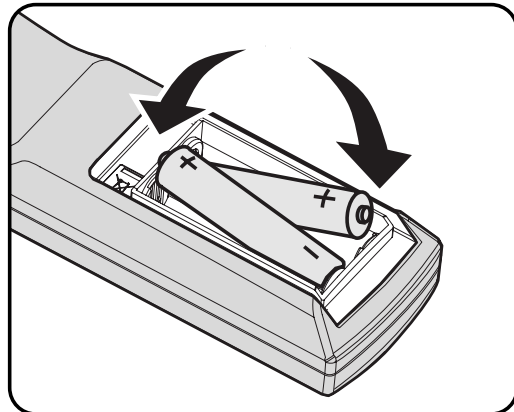
ITEM	LABEL	DESCRIPTION	SEE PAGE:
1.	Power ON	Turn the projector on	12
2.	LED indicator	Only lights when the remote keys are pressed	
3.	Display Mode	Choose a suitable preset mode for usage environment	
4.	Contrast	Display the Contrast setting bar and use the right and left keys to adjust	
5.	Brightness	Display the Brightness setting bar and use the right and left keys to adjust.	
6.	Left cursor	When the OSD is displayed, this button navigates to the left. When USB has been connected to the projector and PC, the previous presentation slide is displayed	19
7.	Menu	Display the OSD menu	
8.	Auto image	Re-synchronize the PC image	
9.	Overscan	Adjust overscan	
10.	Source-1	VGA 1	
11.	Source-4	DISPLAYPORT	
12.	Source-7	S-Video	
13.	Power OFF	Turn the projector off	13
14.	Source	Display the source menu	
15.	Info	Display projector information	
16.	Mute	Mute the audio	
17.	Up cursor / Keystone+	When the OSD is displayed, this button navigates up the menu. Otherwise it adjusts keystone	19
18.	Select	Enter and confirm settings in the OSD	
19.	Right cursor	When the OSD is displayed, this button navigates to the right. When USB has been connected to the projector and PC, the next presentation slide is displayed	
20.	Down cursor / Keystone -	When the OSD is displayed, this button navigates down the menu. Otherwise it adjusts keystone	
21.	Resize	Change the image aspect ratio	
22.	Blank	Blank the screen	
23.	Volume+	Increase the volume	
24.	Freeze	Freeze video	
25.	Volume-	Decrease the volume	
26.	Source-3	HDMI	
27.	Source-2	VGA 2	
28.	Source-6	Component	
29.	Source-5	RGBHV	
30.	Light	Turn the remote control backlight on or off	
31.	Source-8	Composite	

SETUP AND OPERATION**Inserting the Remote Control Batteries**

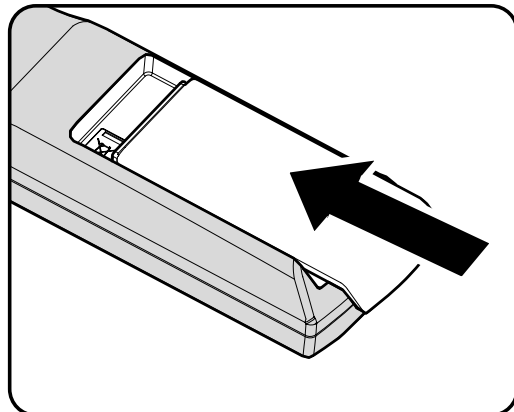
1. Remove the battery compartment cover by sliding the cover in the direction of the arrow.



2. Insert the batteries (not included) as shown in the illustration.



3. Replace the cover.

**Caution:**

1. Only use AA batteries (Alkaline batteries are recommended).
2. Dispose of used batteries according to local ordinance regulations.
3. Remove the batteries when not using the projector for prolonged periods.
4. Do not mix old and new batteries, or mix battery types.

Installing or Removing the Optional Lens

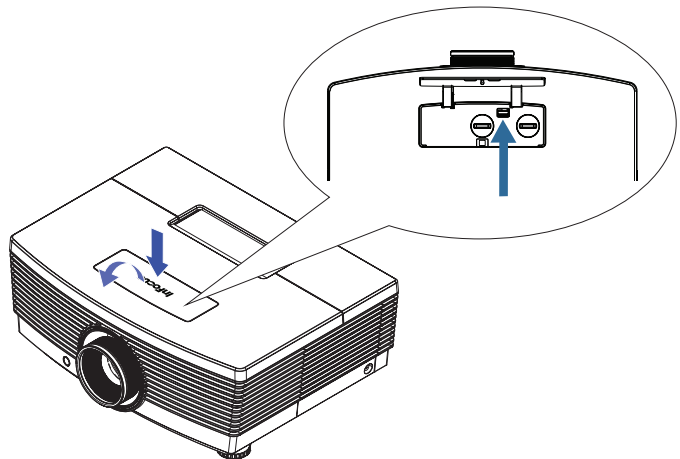
Caution:

- Do not shake or place excessive pressure on the projector or the lens components as the projector and lens components contain precision parts.
- Before removing or installing the lens, be sure to turn off the projector, wait until the cooling fans stop, and turn off the main power switch.
- Do not touch the lens surface when removing or installing the lens.
- Keep fingerprints, dust or oil off the lens surface.
- Do not scratch the lens surface.
- Work on a level surface with a soft cloth under it to avoid scratching.
- If you remove and store the lens, attach the lens cap to the projector to keep off dust and dirt.

Removing the Existing Lens From the Projector

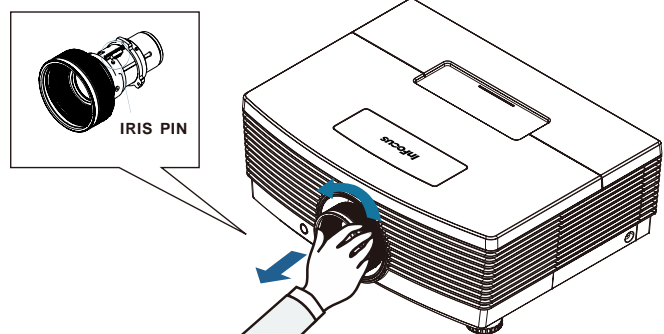
1. Push and release the top cover to open as shown.

2. Push the LENS RELEASE button to the unlock position.



3. Grasp the lens.

4. Rotate the lens counterclockwise. The existing lens will be disengaged.



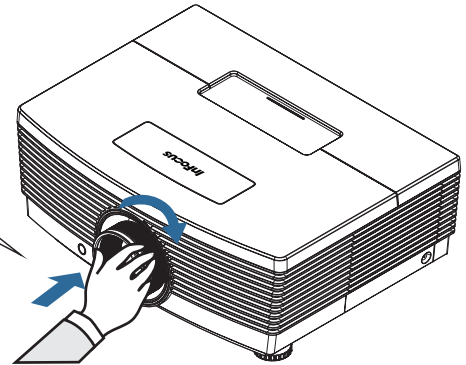
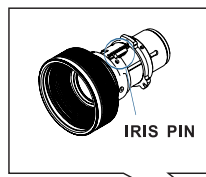
5. Pull out the existing lens slowly.

Installing the New Lens

1. Align the notches and correctly position the electrical contact pad as shown in the picture.

Note:

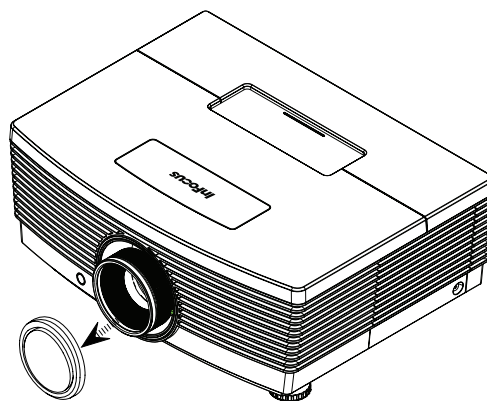
Pin of IRIS should be in the direction as shown in the picture.



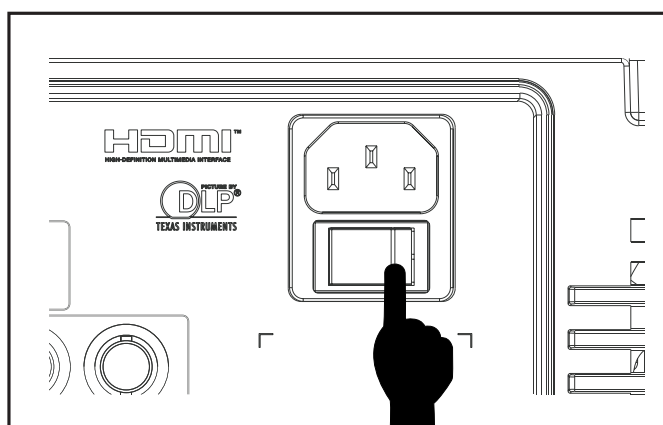
2. Rotate the lens clockwise until you feel it click into place.

Starting and Shutting down the Projector

1. Remove the lens cap.
2. Connect the power cord to the projector. Connect the other end to a wall outlet. Verify that the AC Power switch on the back of the unit is turned on. When connected, the PWR LED will turn solid Red.





3. Turn on the lamp by pressing the "POWER" button on the rear of the projector or the Power On button on the remote. The PWR LED will now solid Green. The startup screen will display in approximately 30 seconds.

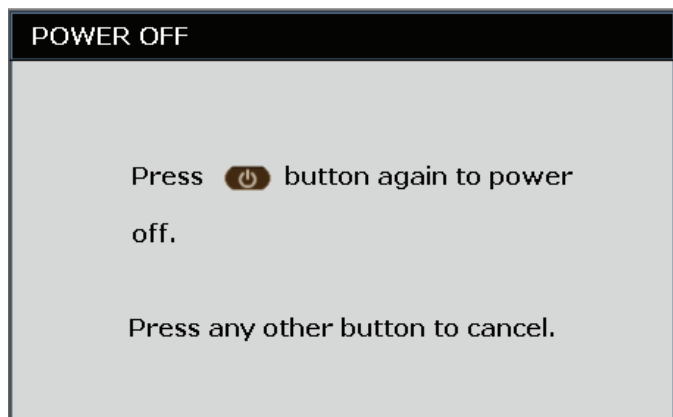


4. If more than one input device is connected, press the **SOURCE** button and use ▲▼ to scroll among devices.

- VGA 1 : Analog RGB
- VGA 2 : Analog RGB
- BNC : Analog / serial digital interface video inputs
- HDMI : High Definition Multimedia Interface (HDMI)
- DISPLAYPORT : DISPLAYPORT input
- Component Video: DVD input YCbCr / YPbPr, or HDTV input YPbPr via HD15 connector
- S-Video: Super video (Y/C separated)
- Composite Video: Traditional composite video

5. To turn the projector off, press the Power OFF button (). on the projector keypad or remote. When the POWER OFF window appears, press the Power OFF button () again.

The projector turns off.



Caution:

1. Be sure to remove the lens cap before starting projector.

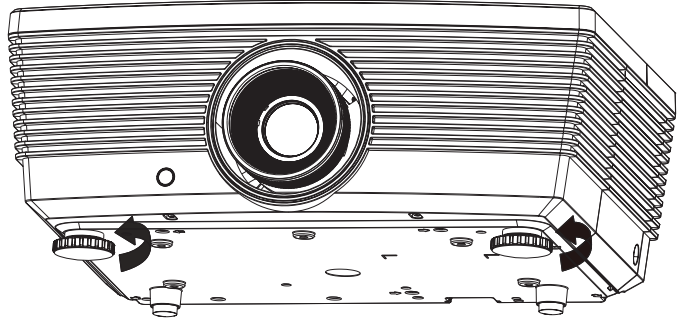
2. Do not unplug the power cord until the READY LED stops flashing—indicating the projector has cooled down.

Adjusting the Projector Level

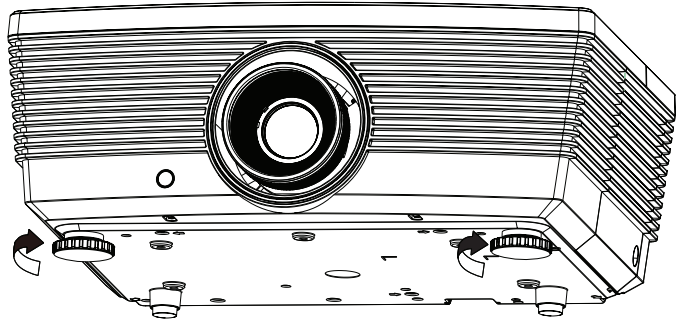
Take note of the following when setting up the projector:

- *The projector table or stand should be level and sturdy.*
- *Position the projector so that it is perpendicular to the screen.*
- *Remove and discard the foam spacers on the rear leveling feet before adjusting the projection angle.*
- *Ensure the cables are in a safe location. You could trip over them.*

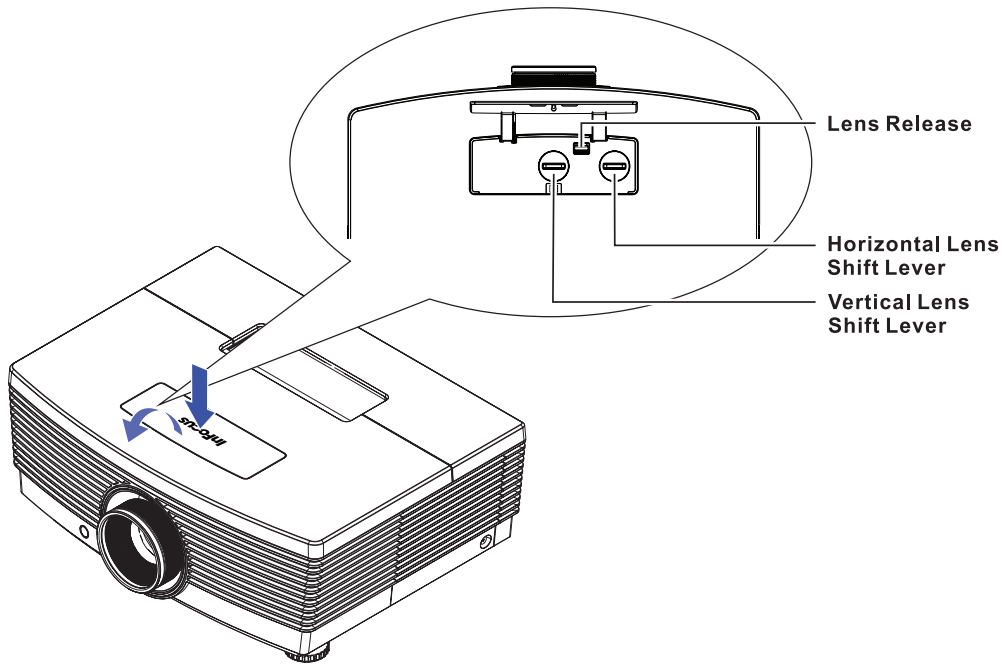
- 1.** To raise the level of the projector, twist the leveling feet clockwise.



- 2.** To lower the level of the projector, lift the projector and twist the leveling feet counter clockwise.



Adjusting Projected Image Position Using Shift



The Shift feature provides a lens shift function that can be used to adjust the position of the projected image either horizontally or vertically within the range detailed below.

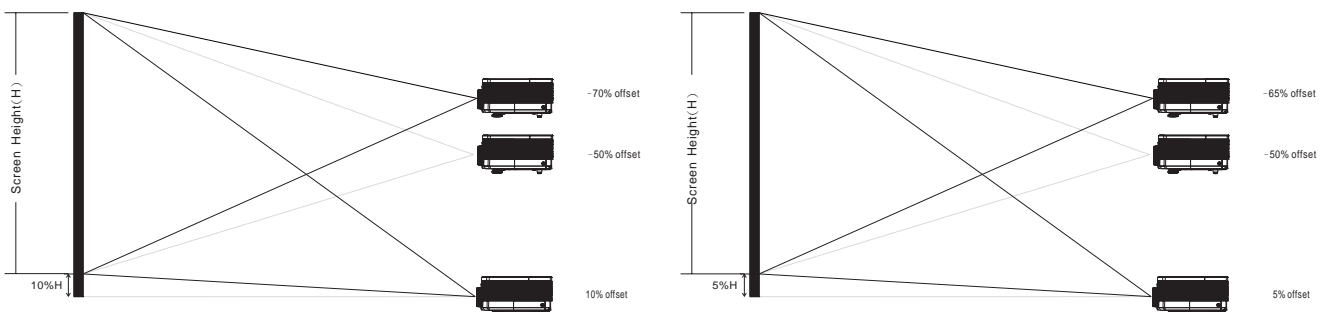
Shift is a unique system that provides lens shift while maintaining a much higher ANSI contrast ratio than traditional lens shift systems.

Adjusting the vertical image position

The vertical image height can be adjusted between 10% and -70% offset for IN5316HD (1080P); 5% and -65% for IN5318 (WUXGA) (offset = (O/H) x100%, O: distance from bottom of image to center of lens). Note that the maximum vertical image height adjustment can be limited by the horizontal image position. Offset is the distance between the lens center line and the bottom of the image. The offset is positive if the lens center line is below the bottom of the image. The offset is negative if the lens center line is above the bottom of the image.. For example it is not possible to achieve the maximum vertical image position height detailed above if the horizontal image position is at maximum. Please consult the Shift Range diagram below for further clarification.

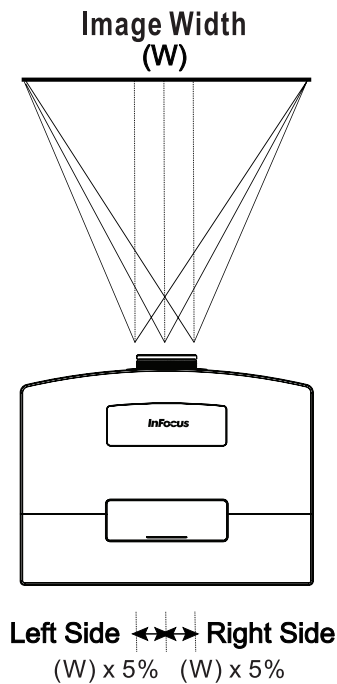
For IN5316HD (1080P)

For IN5318 (WUXGA)



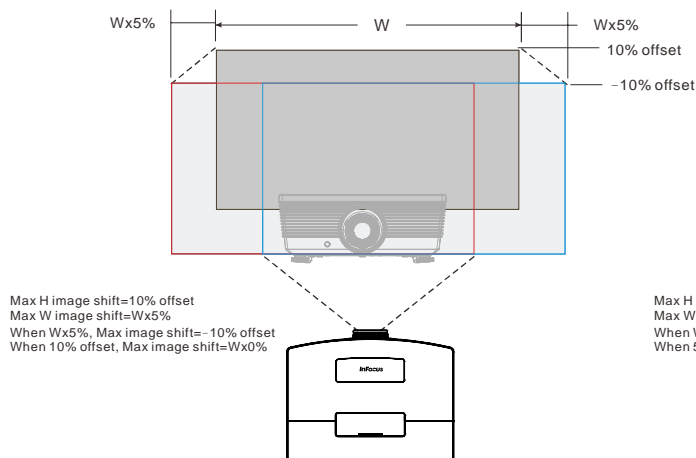
Adjusting the horizontal image position

With the lens in the center position the horizontal image position can be adjusted to the left or right by up to a maximum of 5% of the image width. Note that the maximum horizontal image height adjustment can be limited by the vertical image position. For example it is not possible to achieve the maximum horizontal image position if the vertical image position is at maximum. Please consult the Shift Range diagram below for further clarification.

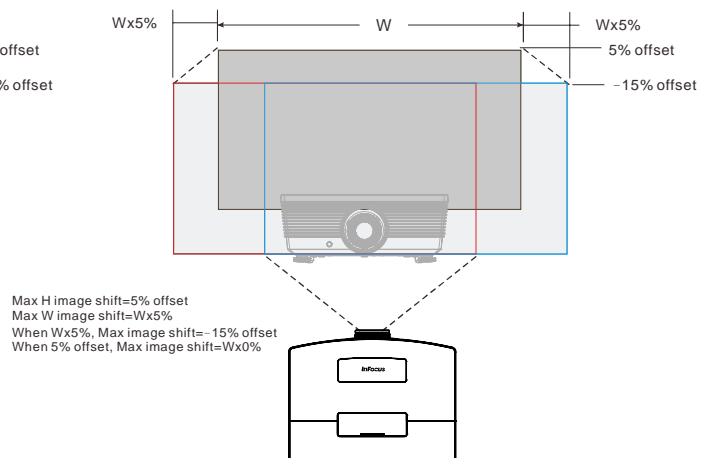


Shift Range Diagram

For IN5316HD (1080P)

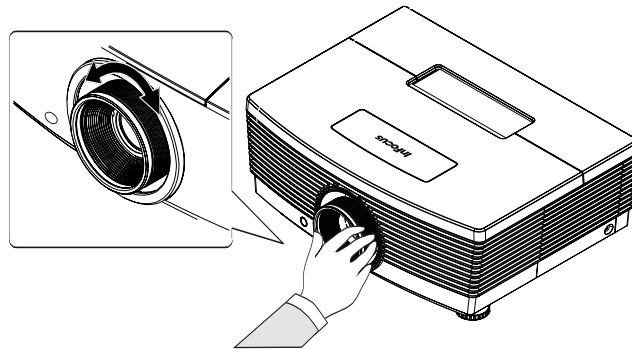


For IN5318 (WUXGA)

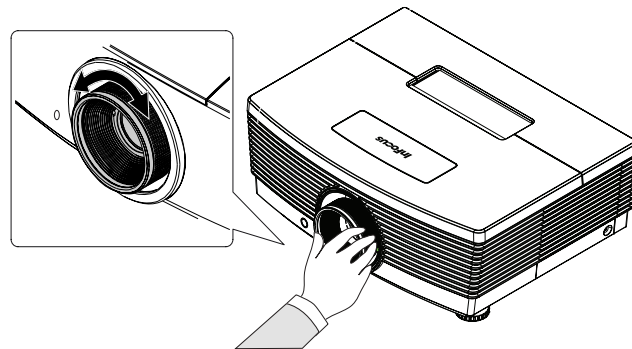


Adjusting Zoom, Focus and Keystone

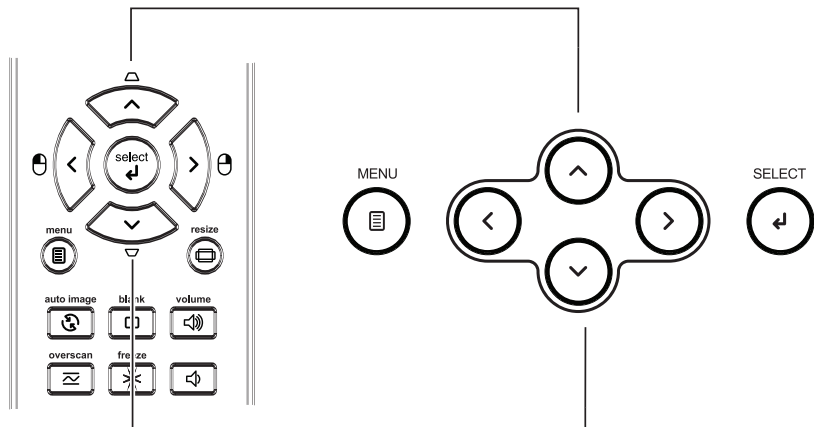
1. Use the **Zoom** ring to resize the projected image and screen size.



2. Use the **Focus** ring to sharpen the projected image.



3. Use the **KEYSTONE** buttons (on the projector or the remote control) to correct image trapezoiding (wider top or bottom).



Remote control and OSD panel

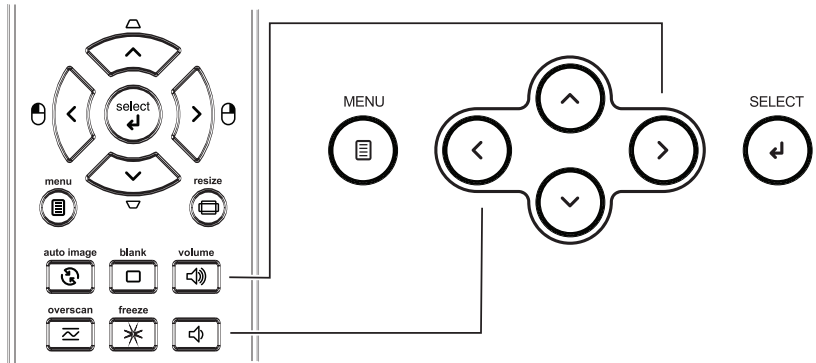
4. The keystone control appears on the display.



Adjusting the Volume

1. Press the **Volume** buttons (on the projector or the remote control).

The volume control appears on the display.



2. Use the **Vol +/-** buttons (on the projector or the remote control).



3. Press the **MUTE** button to turn off the audio (This feature is only available on the remote).



ON-SCREEN DISPLAY (OSD) MENU SETTINGS

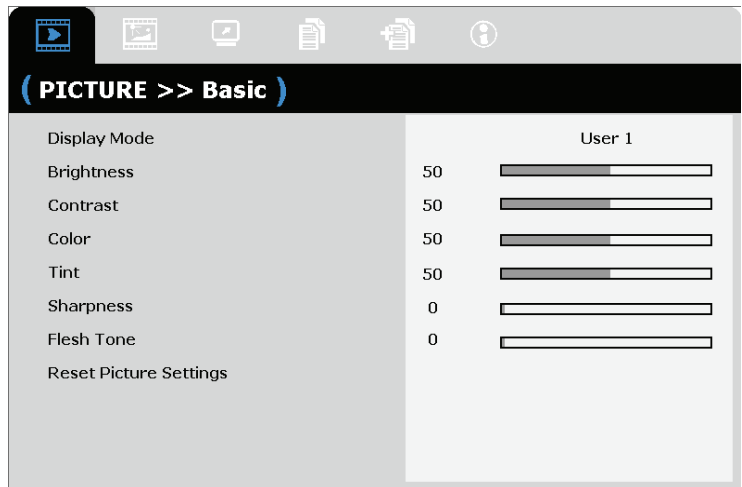
OSD Menu Controls

The projector has an OSD that lets you make image adjustments and change various settings.

Navigating the OSD

You can use the remote control cursor buttons or the projector keypad to navigate and make changes to the OSD.

1. To enter the OSD, press the **MENU** button.
2. There are six menus. Press the cursor ◀▶ button to move through the menus.
3. Press the cursor ▲▼ button to move up and down in a menu.
4. Press ◀▶ to change values for settings.
5. Press **MENU** to access a different menu, leave a submenu or close the OSD.



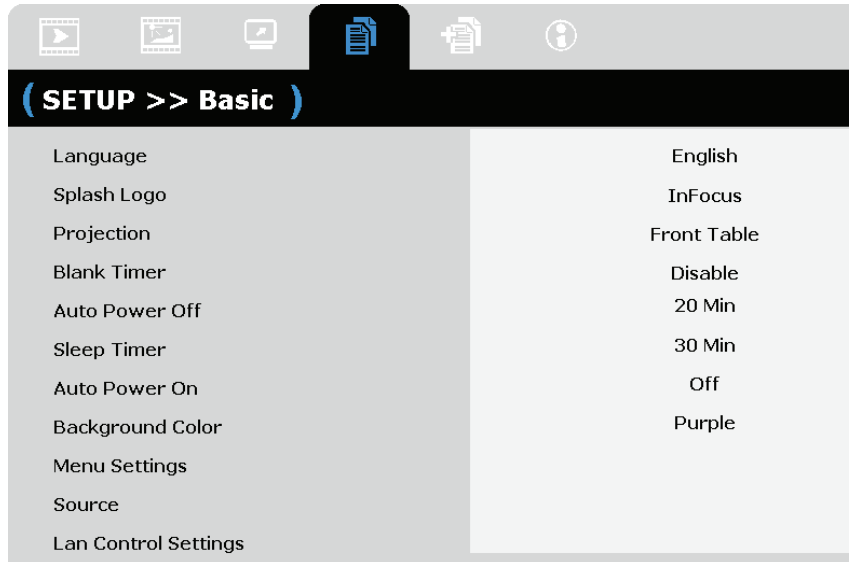
Note:

Depending on the video source, not all items in the OSD are available. For example, the **PC Detail Adjustment** item in the *Display* menu can only be modified when connected to a PC. Items that are not available cannot be accessed and are grayed out.

Setting the OSD Language

Set the OSD language to your preference before continuing.

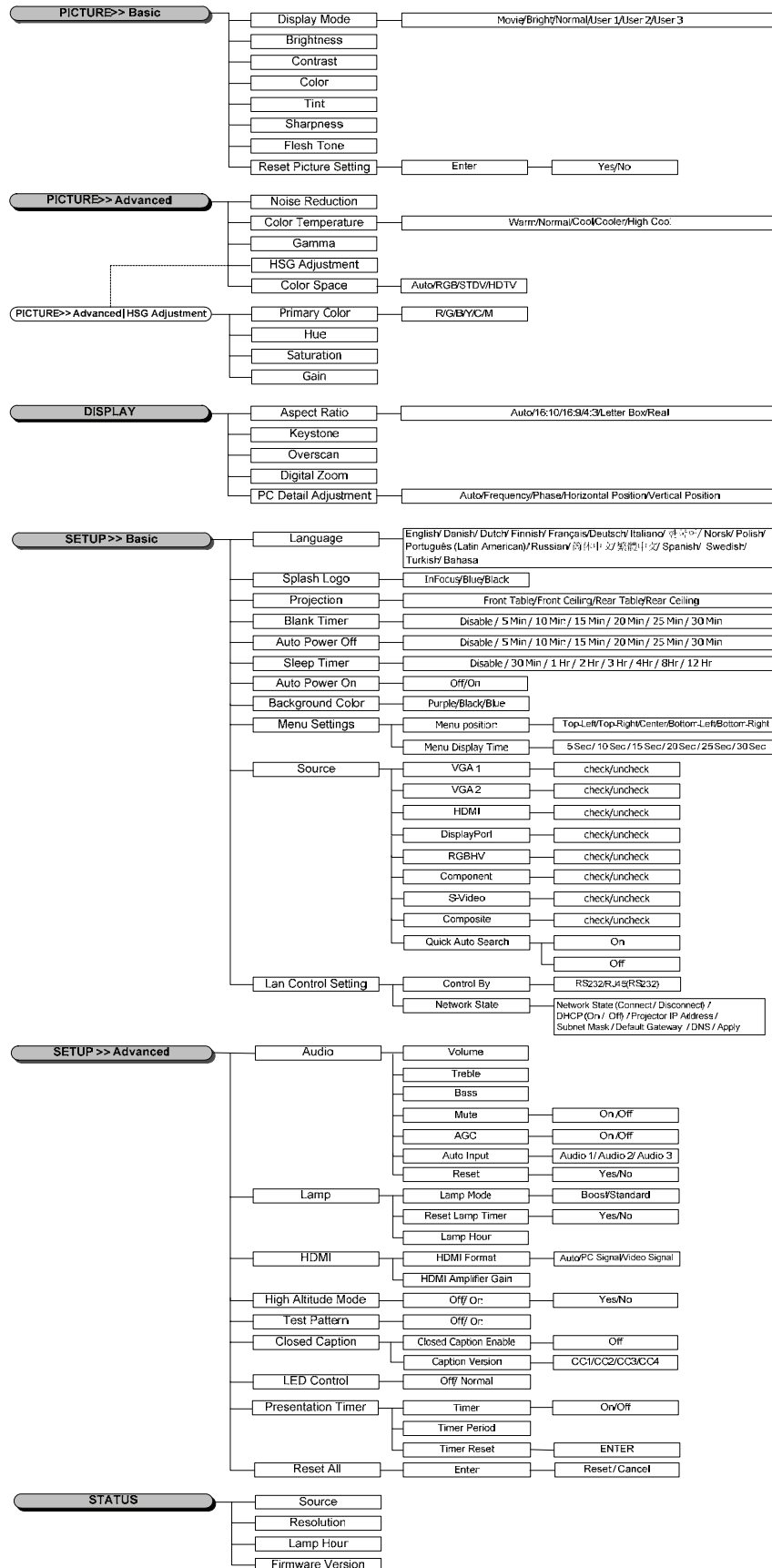
1. Press the **MENU** button. Press the cursor ◀▶ button to navigate to **SETUP>>Basic**.



2. Press the cursor ▲▼ button until **Language** is highlighted.
3. Press the cursor ◀▶ button until the language you want is selected.
4. Press the **MENU** button to close the OSD.

OSD Menu Overview

Use the following illustration to quickly find a setting or determine the range for a setting.

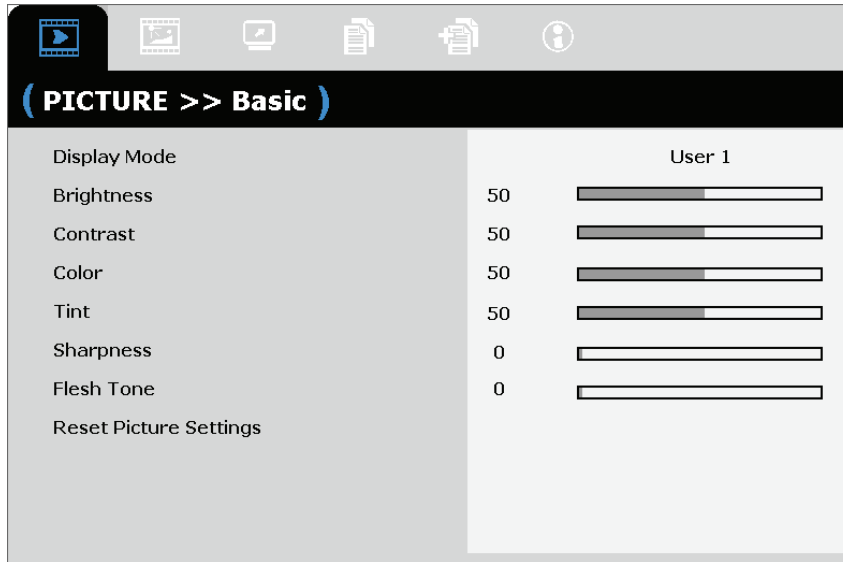


PICTURE>>Basic Menu

Press the **MENU** button to open the **OSD** menu. Press the cursor **◀▶** button to move to the **PICTURE>>Basic** menu. Press the cursor **▲▼** button to move up and down in the **PICTURE>>Basic** menu. Press **◀▶** to change values for settings.

Note:

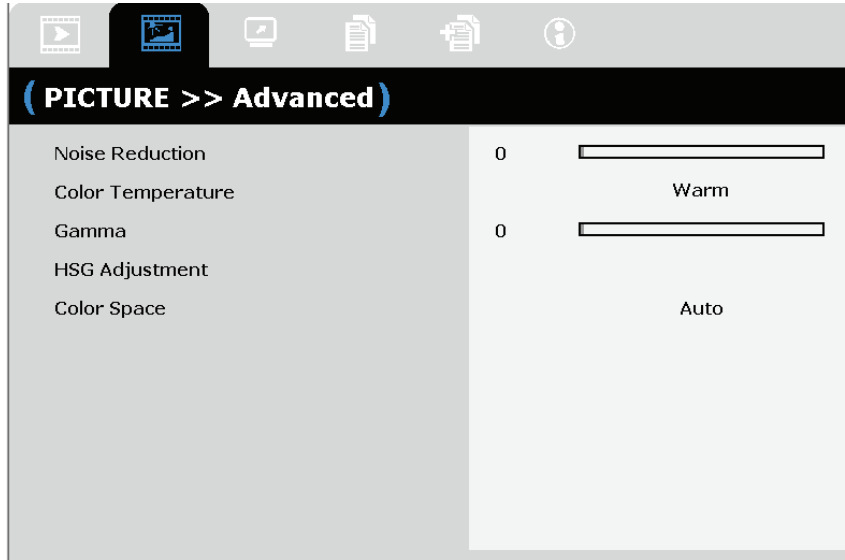
Customizing the settings in **PICTURE>>Basic** menu is only available in User 1/2/3 mode.



ITEM	DESCRIPTION
Display Mode	Press the cursor ◀▶ buttons to set the Display Mode. (Range: Movie/ Bright/ Normal/ User 1/ User 2/ User 3)
Brightness	Press the cursor ◀▶ buttons to adjust the display brightness.
Contrast	Press the cursor ◀▶ buttons to adjust the display contrast.
Color	Press the cursor ◀▶ buttons to adjust the video saturation. Notes: This function is only available when Video or S-Video input source is selected.
Tint	Press the cursor ◀▶ buttons to adjust the video tint/hue. Notes: This function is only available when Video or S-Video with NTSC system input source is selected.
Sharpness	Press the cursor ◀▶ buttons to adjust the display sharpness. Notes: This function is only available when Video or S-Video input source is selected.
Flesh Tone	Press the cursor ◀▶ buttons to adjust the display flesh tone. Notes: This function is only available when Video or S-Video input source is selected.
Reset Picture Settings	Press the ENTER/SELECT button to reset all settings to default values.

PICTURE>>Advanced Menu

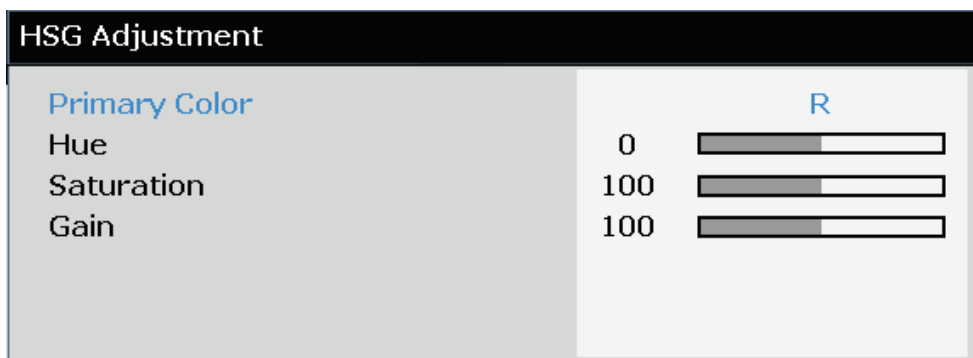
Press the **MENU** button to open the **OSD** menu. Press the cursor ◀▶ button to move to the **PICTURE>>Advanced** menu. Press the cursor ▲▼ button to move up and down in the **PICTURE>>Advanced** menu. Press ◀▶ to change values for settings.



ITEM	DESCRIPTION
Noise Reduction	Press the cursor ◀▶ button to adjust the Noise Reduction.
Color Temperature	Press the cursor ◀▶ button to set the Color Temperature. (Range: Warm/Normal/Cool/Cooler/High Cool)
Gamma	Press the cursor ◀▶ button to adjust the gamma correction of the display. Notes: This function is only available in User 1/ 2/ 3 mode.
HSG Adjustment	Press the ENTER/SELECT button to enter the HSG (Hue/Saturation/Gain) Adjustment sub menu. See <i>HSG Adjustment</i> on page 24.
Color Space	Press the cursor ◀▶ button to set the Color Space. (Range: Auto / RGB/ SDTV/ HDTV) Notes: This function is only available when HDMI input source is selected.

HSG Adjustment

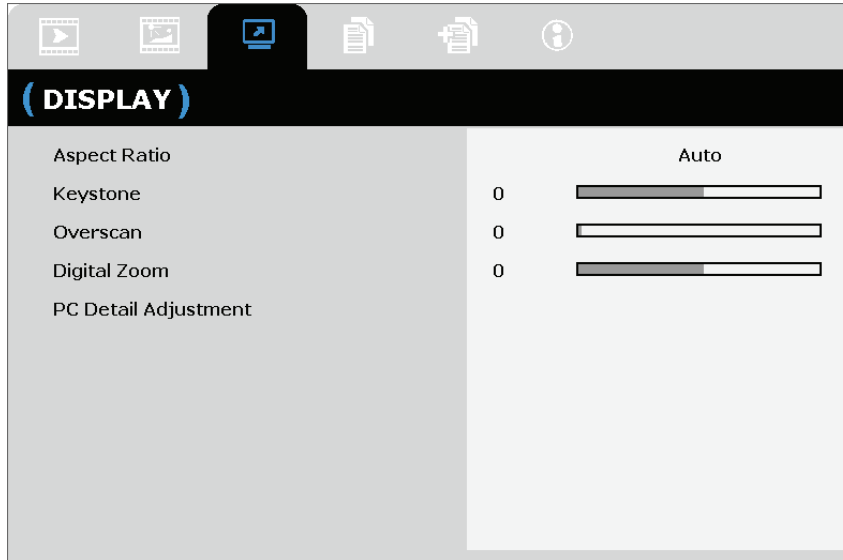
Press the **ENTER/SELECT** button to enter the **HSG Adjustment** sub menu.



ITEM	DESCRIPTION
Primary Color	Press the ◀▶ buttons to set the Primary Color. Notes: There are six colors (R/ G/ B/ C/ M/ Y) to be customized.
Hue	Press the ◀▶ buttons to adjust the Hue.
Saturation	Press the ◀▶ buttons to adjust the Saturation.
Gain	Press the ◀▶ buttons to adjust the Gain.

DISPLAY Menu

Press the **MENU** button to open the **OSD** menu. Press the cursor ◀▶ button to move to the **DISPLAY** menu. Press the cursor ▲▼ button to move up and down in the **DISPLAY** menu. Press ◀▶ to change values for settings.



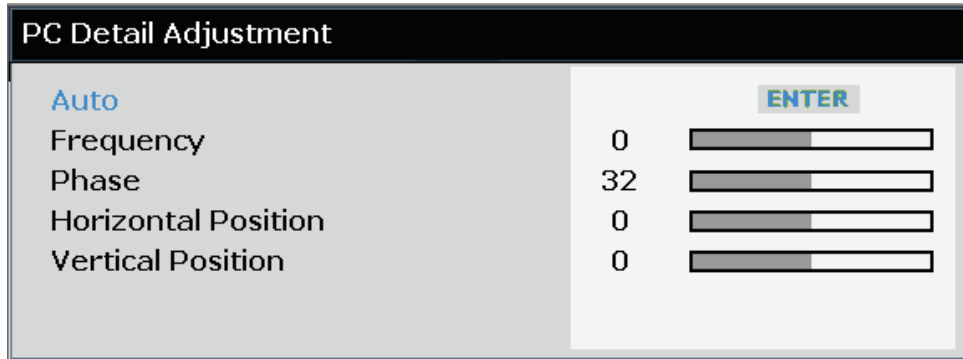
ITEM	DESCRIPTION
Aspect Ratio	Press the cursor ◀▶ button to set the Aspect Ratio. (Range: Auto / 16:10/ 16:9/ 4:3/ Letter Box/ Real)
Keystone	Press the cursor ◀▶ button to adjust the Keystone. Notes: This function is available when the Auto Keystone function is turned off.
Overscan	Press the cursor ◀▶ button to adjust the Overscan.
Digital Zoom	Press the cursor ◀▶ button to adjust the Digital Zoom.
PC Detail Adjustment	Press the ENTER/SELECT button to enter the PC Detail Adjustment sub menu. See <i>PC Detail Adjustment</i> on page 26.

PC Detail Adjustment

Press the **ENTER/SELECT** button to enter the **PC Detail Adjustment** sub menu.

Note:

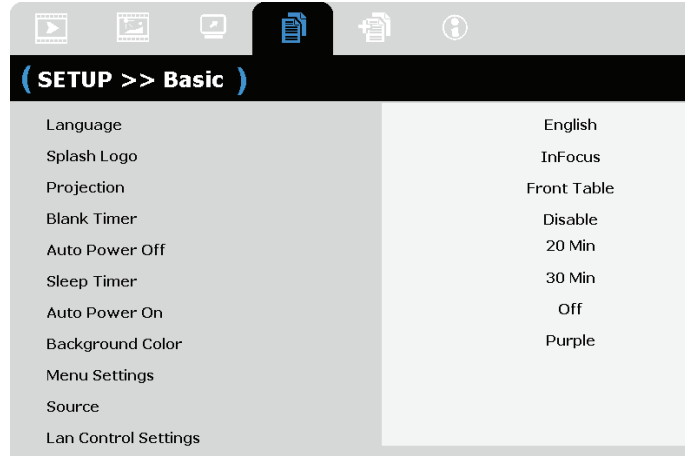
Customizing the settings in **PC Detail Adjustment** menu is only available when PC input source (analog RGB) is selected.



ITEM	DESCRIPTION
Auto	Press the RE-SYNC button on the projector keypad or the AUTO IMAGE button on the remote control to automatically adjust frequency, phase, and position.
Frequency	Press the ◀▶ buttons to adjust the A/D sampling number.
Phase	Press the ◀▶ buttons to adjust the A/D sampling clock.
Horizontal Position	Press the ◀▶ buttons to adjust the display position right or left.
Vertical Position	Press the ◀▶ buttons to adjust the display position up or down.

SETUP>>Basic Menu

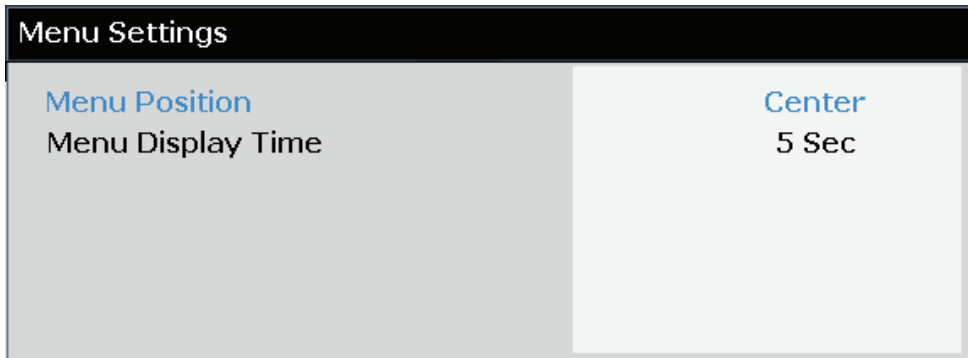
Press the **MENU** button to open the **OSD** menu. Press the cursor ◀▶ button to move to the **SETUP>>Basic** menu. Press the cursor ▲▼ button to move up and down in the **SETUP>>Basic** menu. Press ◀▶ to change values for settings.



ITEM	DESCRIPTION
Language	Press the cursor ◀▶ buttons to select a different localization menu. (Range: English/ Français/ Español/ Deutsch/ Português/ 简体中文/ 繁體中文/ Italiano/ Svenska/ Nederlands/ Suomi/ Dansk/ Norsk/ Polski/ 한국어/ Türkçe/ Русский/ Bahasa Indonesia/)
Splash Logo	Press the cursor ◀▶ buttons to select a different startup screen. (Range: InFocus / Blue/ Black)
Projection	Press the cursor ◀▶ buttons to choose from four projection methods: Front Table / Front Ceiling/ Rear Table/ Rear Ceiling.
Blank Timer	Press the cursor ◀▶ buttons to set the Blank Screen timer. The projected image is automatically restored after the set time. (Range: Disable / 5 min/ 10 min/ 15 min/ 20 min/ 25 min/ 30 min)
Auto Power Off	Press the cursor ◀▶ buttons to set the Auto Power Off timer. The projector automatically turns off if no input source is detected after the preset period of time. (Range: Disable / 5 min/ 10 min/ 15 min/ 20 min/ 25 min/ 30 min)
Sleep Timer	Press the cursor ◀▶ buttons to set Sleep timer. The projector automatically turns off after the preset period of time. (Range: Disable / 30 min/ 1hr/ 2hr/ 3hr/ 4hr/ 8hr/ 12hr)
Auto Power On	Press the cursor ◀▶ button to enable or disable Automatic Power On when AC power is supplied.
Background Color	Press the cursor ◀▶ buttons to select the background color when no input source is detected. (Range: Purple/ Black/ Blue)
Menu Settings	Press the ENTER/SELECT button to enter the Menu Settings sub menu. See <i>Menu Settings</i> on page 28.
Source	Press the ENTER/SELECT button to enter the Source sub menu. See <i>Source</i> on page 29.
Lan Control Settings	Press the ENTER/SELECT button to enter the Lan Control Settings sub menu. See <i>Lan Control Settings</i> on page 30.

Menu Settings

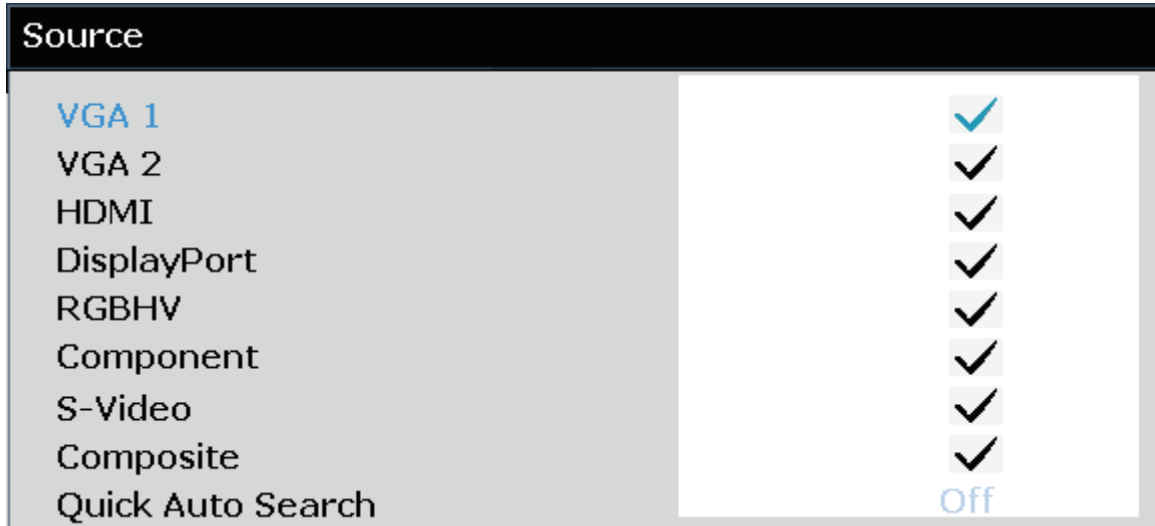
Press the **ENTER/SELECT** button to enter the **Menu Settings** sub menu.



ITEM	DESCRIPTION
Menu Position	Press the ◀▶ buttons to select from five OSD locations: Top-Left/ Top-Right/ Center / Bottom-Left/ Bottom-Right.
Menu Display Time	Press the ◀▶ buttons to set the Menu Display timer before the OSD times out. (Range: 5sec/ 10sec/ 15sec / 20sec/ 25sec/ 30sec)

Source

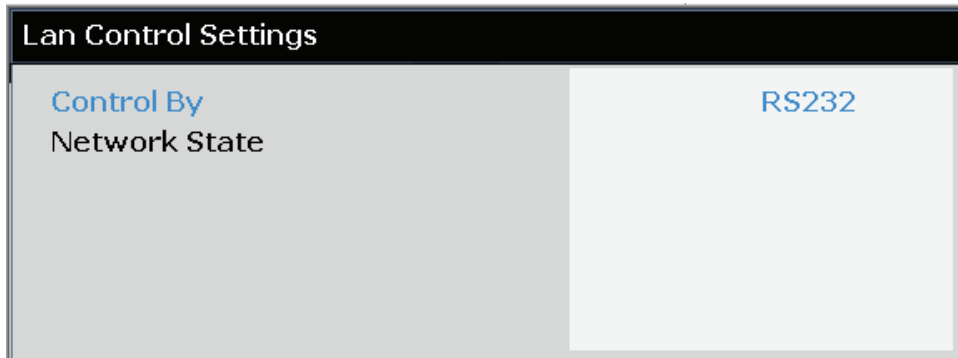
Press the **ENTER/SELECT** button to enter the **Source** sub menu.



ITEM	DESCRIPTION
VGA 1	Press the ◀▶ buttons to enable or disable the VGA source.
VGA 2	
HDMI	Press the ◀▶ buttons to enable or disable the HDMI source.
DisplayPort	Press the ◀▶ buttons to enable or disable the DisplayPort source.
RGBHV	Press the ◀▶ buttons to enable or disable the RGBHV source.
Component	Press the ◀▶ buttons to enable or disable the Component source.
S-Video	Press the ◀▶ buttons to enable or disable the S-Video source.
Composite	Press the ◀▶ buttons to enable or disable the Composite source.
Quick Auto Search	Press the ◀▶ buttons to enable or disable Quick Auto Search for available input source. Notes: When the desired source is selected, the Quick Auto Search function will be turned off.

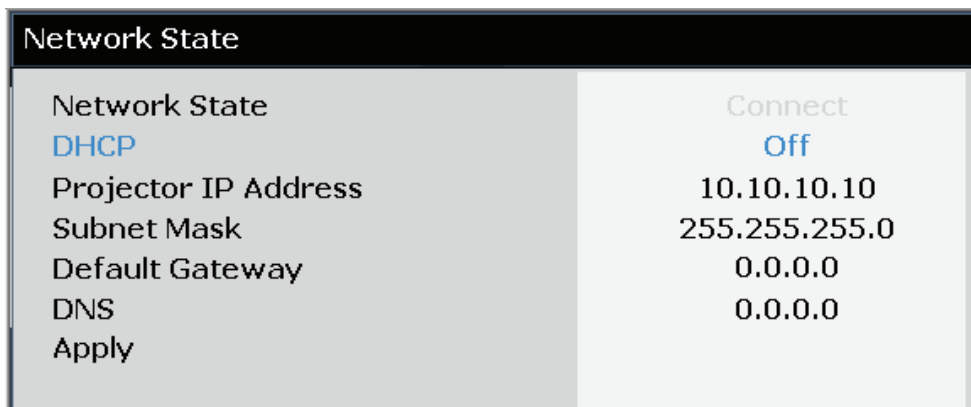
Lan Control Settings

Press the **ENTER/SELECT** button to enter the **Lan Control Settings** sub menu.



ITEM	DESCRIPTION
Control By	Press the ◀▶ buttons to select projector remote command control. (Range: RS232 / RJ45) Note: this setting changes the standby power: RS232 <1W (Default) RJ45 <9W
Network State	Press the ENTER/SELECT button to enter the Network State sub menu. See below.

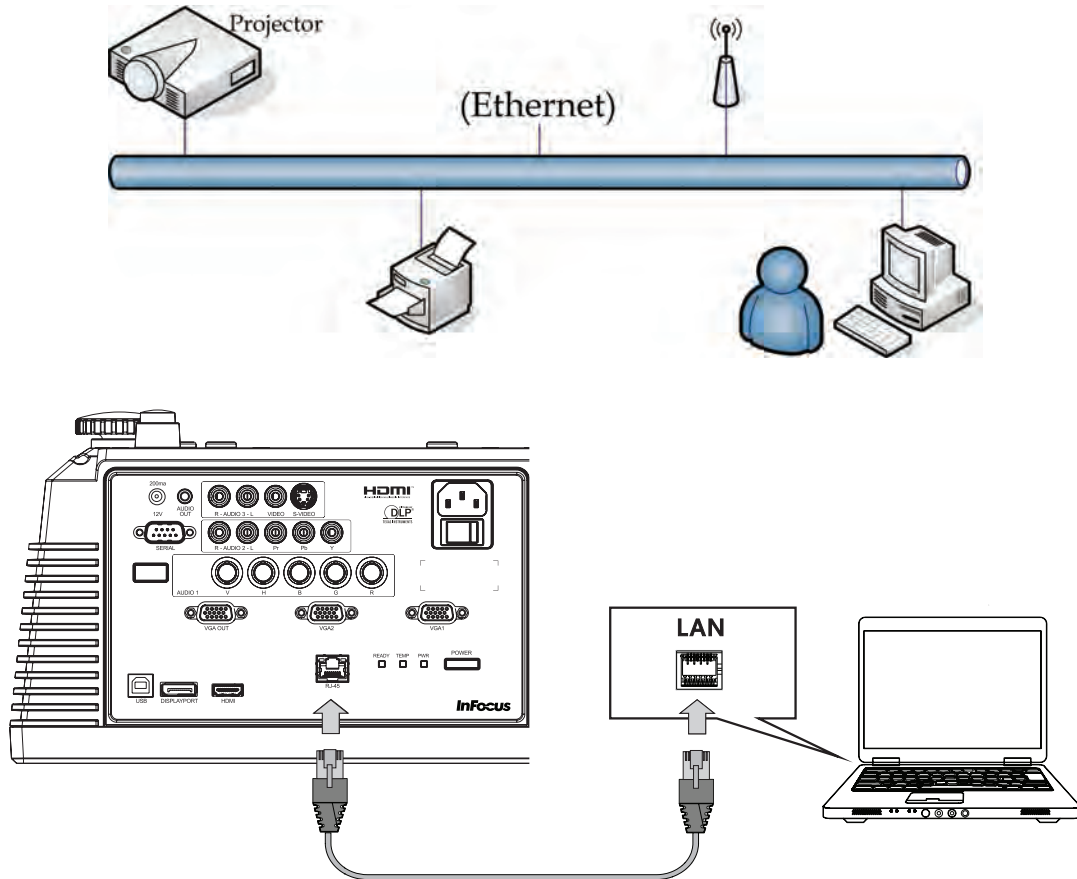
Network State



ITEM	DESCRIPTION
Network State	Displays the network connection status.
DHCP	Press ◀▶ to turn DHCP On or Off. Note: If you select DHCP Off, complete the IP Address, Subnet Mask, Gateway, and DNS fields.
Projector IP Address	Enter a valid IP address if DHCP is turned off.
Subnet Mask	Enter a valid Subnet Mask if DHCP is turned off.
Default Gateway	Enter the default Gateway address on the network.
DNS	Enter a valid DNS name if DHCP is turned off.
Apply	Press ◀ (ENTER/SELECT) / ▶ to confirm settings.

For simplicity and ease of operation, the projector provides diverse networking and remote management features.

The LAN/RJ45 feature allows the projector to be connected to a network and remotely managed. Available remote management controls include: Power On/Off, Video-Source, Brightness and Contrast settings, Sound-Mute, etc.



Enter the Projector IP address shown in the SETUP >> Basic >> Lan Control Setting >> Network State menu. Note: DHCP must be on. The LAN/RJ45 Web Control window displays as follows:

Web Control	
Projector Settings	
Alert Mail Settings	
<p>Display Power <input checked="" type="radio"/> Off <input type="radio"/> On</p> <p>Audio Mute <input type="radio"/> Off <input type="radio"/> On</p> <p>Source Input <input type="text" value="None"/></p> <p>Display mode <input type="text" value="None"/></p> <p>Volume <input type="text" value="N/A"/></p> <p>Display format <input type="text" value="None"/></p> <p>Lamp mode <input type="text" value="None"/></p>	<p>Freeze <input type="radio"/> Off <input type="radio"/> On</p> <p>Video Mute <input type="radio"/> Off <input type="radio"/> On</p> <p>Contrast <input type="text" value="N/A"/></p> <p>Brightness <input type="text" value="N/A"/></p> <p>Sharpness <input type="text" value="N/A"/></p> <p>Projection mode <input type="text" value="None"/></p> <p>Lamp hours <input type="text" value="0"/></p>

Preparing Email Alerts

1. Make sure that user can access the homepage of LAN RJ45 function by web browser (for example, Microsoft Internet Explorer v6.01/v8.0).
2. From the Homepage of LAN/RJ45, click **Alert Mail Settings**.

The screenshot shows a web control interface with a sidebar on the left containing three menu items: 'Web Control', 'Projector Settings', and 'Alert Mail Settings'. The 'Alert Mail Settings' item is circled in red. The main content area displays various projector settings in two columns. The settings include: Display Power (radio buttons for Off/On), Audio Mute (radio buttons for Off/On), Source Input (dropdown menu), Display mode (dropdown menu), Volume (slider), Display format (dropdown menu), Lamp mode (dropdown menu), Freeze (radio buttons for Off/On), Video Mute (radio buttons for Off/On), Contrast (slider), Brightness (slider), Sharpness (slider), Projection mode (dropdown menu), and Lamp hours (input field).

3. By default, the input boxes in **Alert Mail Settings** are blank.

The screenshot shows the 'Send E-Mail' configuration page. The sidebar on the left has 'Alert Mail Settings' circled in red. The main content area is titled 'Send E-Mail' and includes the instruction: 'Enter the appropriate settings in the fields below: (Your SMTP server may not require a user name or password.)'. The form contains the following fields and options:

- MAC Address:
- SMTP Server: Port:
- User Name:
- Password:
- Mail Server Apply button
- From:
- To:
- CC:
- Mail Address Apply button
- E-mail Alert Options:
 - Fan lock : Over_Heat:
 - Case Open: Lamp Fail:
 - Lamp Hours Over:
- Alert Option Apply button
- Send Test Mail button

4. To setup email alerts, input the following:
 - ▶ The **SMTP** field is the mail server for sending out email (SMTP protocol). This is a required field.
 - ▶ The **To** field is the recipient's email address (for example, the projector administrator). This is a required field.
 - ▶ The **Cc** field sends a carbon copy of the alert to the specified email address.

This is an optional field (for example, the projector administrator’s assistant).

- ▶ The **From** field is the sender’s email address (for example, the projector administrator). This is a required field.
- ▶ Select the alert conditions by checking the desired boxes.

Web Control

Send E-Mail

Projector Settings

Enter the appropriate settings in the fields below:
(Your SMTP server may not require a user name or password.)

MAC Address:

SMTP Server: **Port:**

User Name:

Password:

From:

To:

CC:

E-mail Alert Options:

Fan lock : **Over_Heat:**

Case Open: **Lamp Fail:**

Lamp Hours Over:

Note: Fill in all fields as specified. Select the desired alert condition and click **Submit** to conduct an **Email Alert Test**. A successful test alerts the designated email accounts. To create an email alert, you must select alert conditions and enter a correct email address.

Group and **Name** identify the alerting projector and are located at the bottom of the alert mail as shown below:

Web Control

Projector Setting

Projector Settings

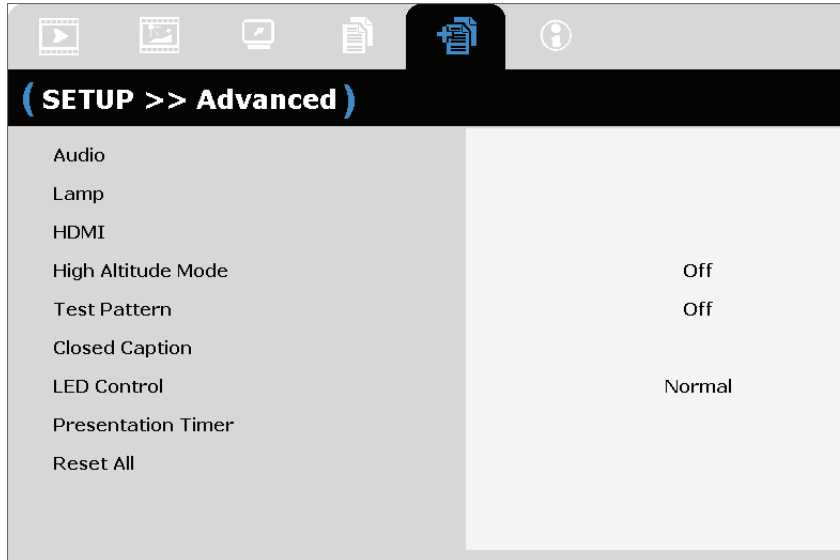
Enter the Projector settings in the fields below:

Group:

Name:

SETUP>>Advanced Menu

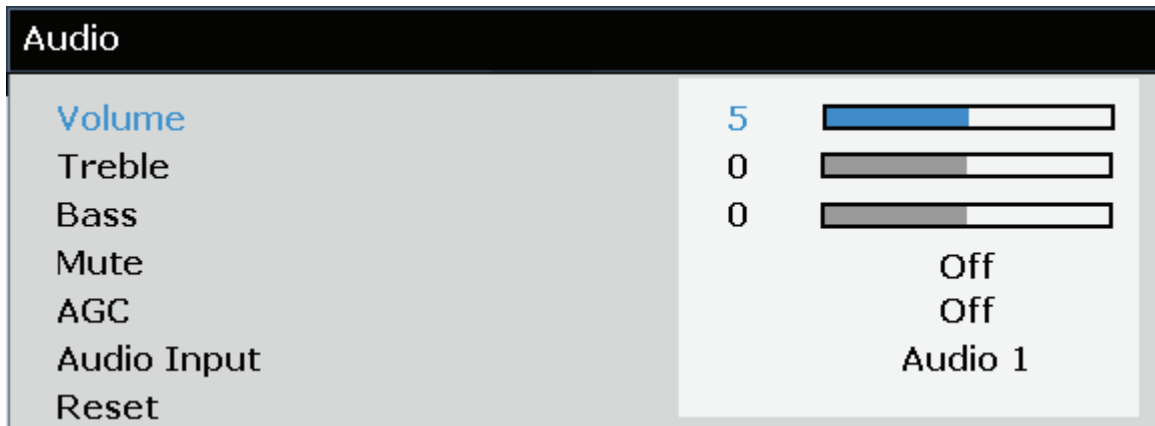
Press the **MENU** button to open the **OSD** menu. Press the cursor ◀▶ button to move to the **SETUP>>Advanced** menu. Press the cursor ▲▼ button to move up and down in the **SETUP>>Advanced** menu.



ITEM	DESCRIPTION
Audio	Press the ENTER/SELECT button to enter the Audio sub menu. See <i>Audio</i> on page 35.
Lamp	Press the ENTER/SELECT button to enter the Lamp sub menu. See <i>Lamp</i> on page 35.
HDMI	Press the ENTER/SELECT button to enter the HDMI sub menu. See <i>HDMI</i> on page 36.
High Altitude Mode	Press the cursor ◀▶ buttons to turn on or off High Altitude Mode when the altitude of the environment is higher than 1500m (4921 ft.).
Test Pattern	Press the cursor ◀▶ buttons to turn on or off the grid test pattern.
Closed Caption	Press the ENTER/SELECT button to enter the Closed Caption sub menu. See <i>Closed Caption</i> on page 36.
LED Control	Press the cursor ◀▶ buttons to turn the projector LED indicators on (Normal) and off (Off).
Presentation Timer	Press ◀ (ENTER/SELECT) / ▶ to the Presentation Timer menu. See <i>Presentation Timer</i> on page 37.
Reset All	Press the ENTER/SELECT button to enter reset all settings to default values.

Audio

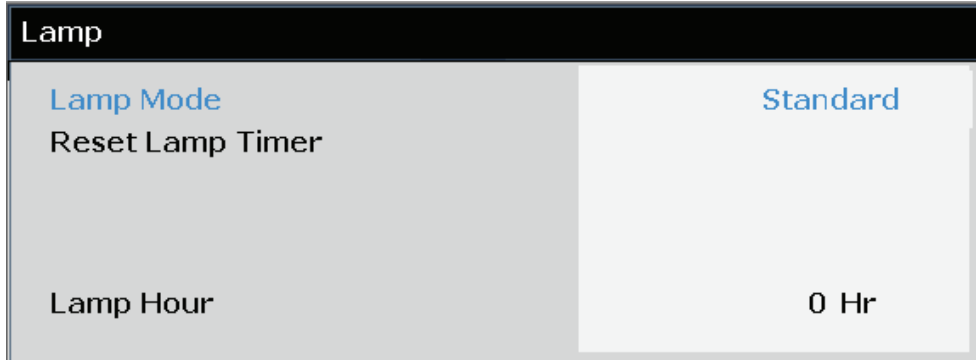
Press the **ENTER/SELECT** button to enter the **Audio** sub menu.



ITEM	DESCRIPTION
Volume	Press the ◀▶ buttons to adjust the audio Volume.
Treble	Press the ◀▶ buttons to adjust the audio Treble.
Bass	Press the ◀▶ buttons to adjust the audio Bass.
Mute	Press the ◀▶ buttons to turn on or off the internal and external speakers.
AGC	Press the ◀▶ buttons to turn on or off the Automatic Gain Control setting.
Audio Input	Press the ◀▶ buttons to select audio input channel (Range: Audio 1/ Audio 2/ Audio3) (Range: Audio 1/ Audio 2/ Audio3/HDMI) Note: Available HDMI source (Range: Audio 1/ Audio 2/ Audio3/DP) Note: Available DP source
Reset	Press the ENTER/SELECT button to reset all menu and submenu items back to factory default settings.

Lamp

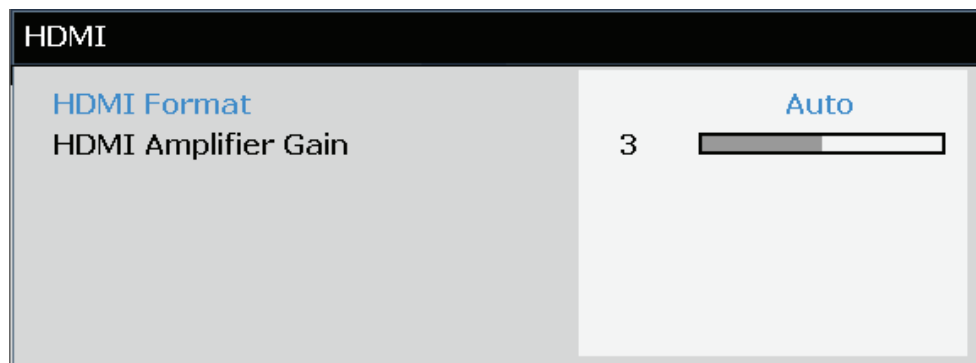
Press the **ENTER/SELECT** button to enter the **Lamp** sub menu.



ITEM	DESCRIPTION
Lamp Mode	Press the ◀▶ buttons to adjust lamp brightness.
Reset Lamp Timer	Press the ENTER/SELECT button to reset the Lamp Hour after the lamp is replaced.
Lamp Hour	Displays the number of hours the lamp has been in use.

HDMI

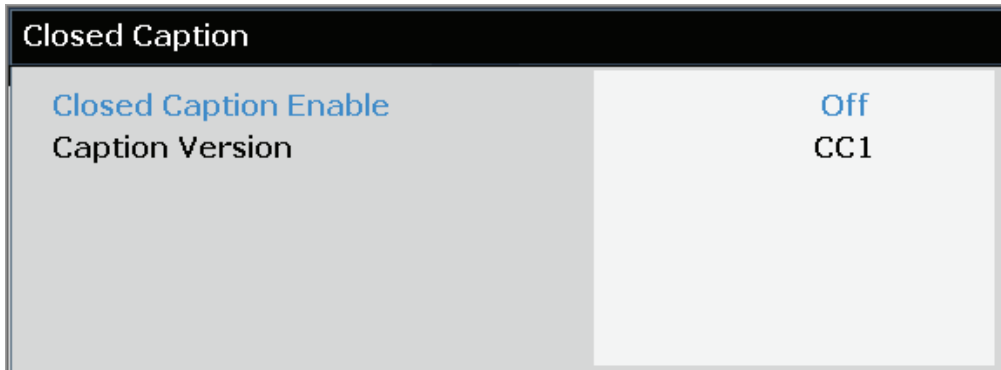
Press the **ENTER/SELECT** button to enter the **HDMI** sub menu.



ITEM	DESCRIPTION
HDMI Format	Press the ◀▶ buttons to select from three HDMI display formats: Auto/ PC signal/ Video signal.
HDMI Amplifier Gain	Press the ◀▶ buttons to adjust HDMI Amplifier Gain. Use this feature when using long HDMI cable runs.

Closed Caption

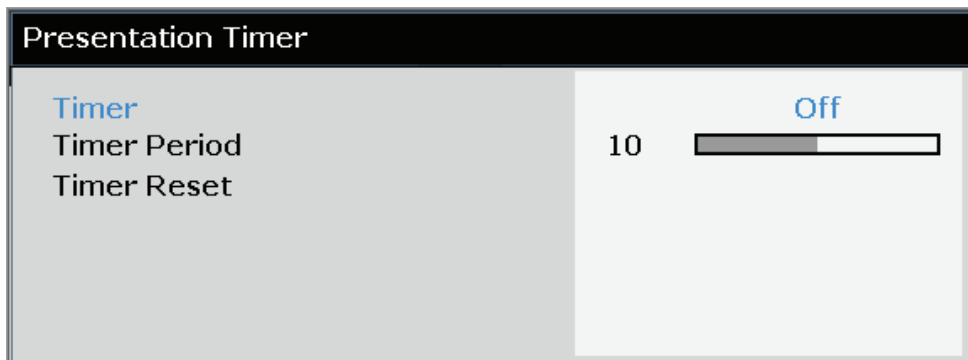
Press the **ENTER/SELECT** button to enter the **Closed Caption** sub menu.



ITEM	DESCRIPTION
Closed Caption Enable	Press the ◀▶ buttons to turn on or off Closed Caption.
Caption Version	Press the ◀▶ buttons to select the Caption Version.

Presentation Timer

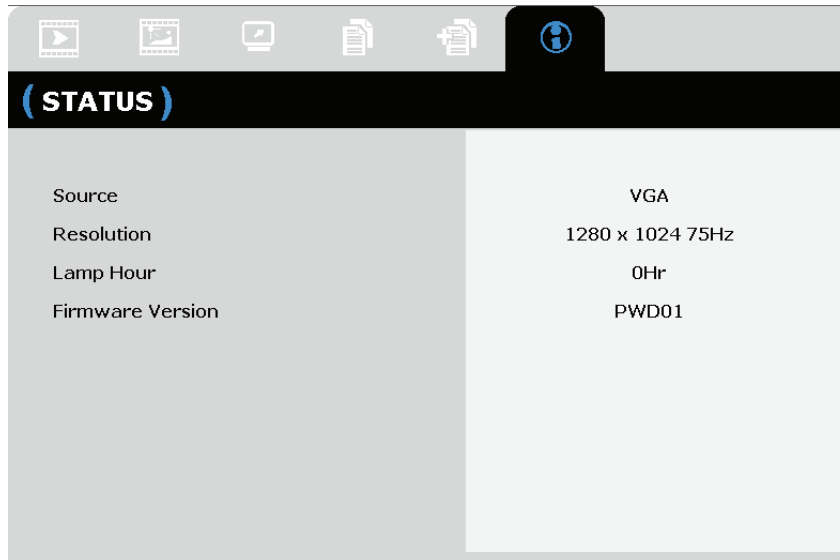
The Presentation Timer function can indicate the presentation time on the screen to help you achieve better time management when giving presentations.



ITEM	DESCRIPTION
Timer	Press the cursor ◀▶ button to enable or disable presentation timer.
Timer Period	Press the cursor ◀▶ button to select timer period (1 ~ 60 minutes)
Timer Reset	Press ◀ (ENTER/SELECT) / ▶ to reset the timer settings.

STATUS Menu

Press the **MENU** button to open the **OSD** menu. Press the cursor ◀▶ button to move to the **STATUS Menu**.



ITEM	DESCRIPTION
Source	Displays the activated input source.
Resolution	Displays the native resolution of input source.
Lamp Hour	Displays the number of hours the lamp has been in use.
Firmware Version	Displays the firmware version of the projector.

Note:
Status displayed in this menu is for viewing only and cannot be edited.

MAINTENANCE AND SECURITY

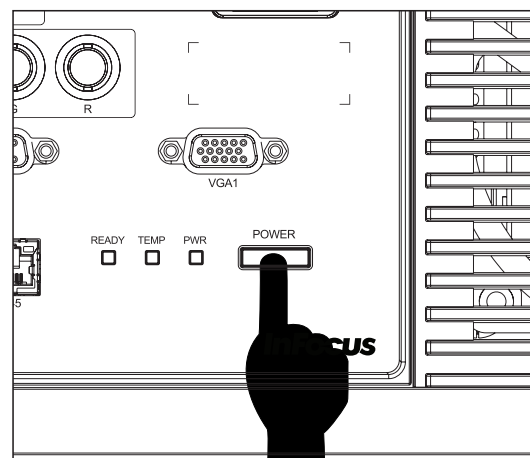
Replacing the Projection Lamp

The projection lamp should be replaced when it burns out. Be sure to use the InFocus lamp module designed for this projector. You can order new lamps from www.infocusstore.com (in select areas), your retailer or your dealer. Only genuine InFocus lamps are tested for use in this projector. Use of non InFocus lamps may cause electrical shock and fire, and may void the projector warranty. InFocus is not liable for the performance, safety or certification of any other lamps.

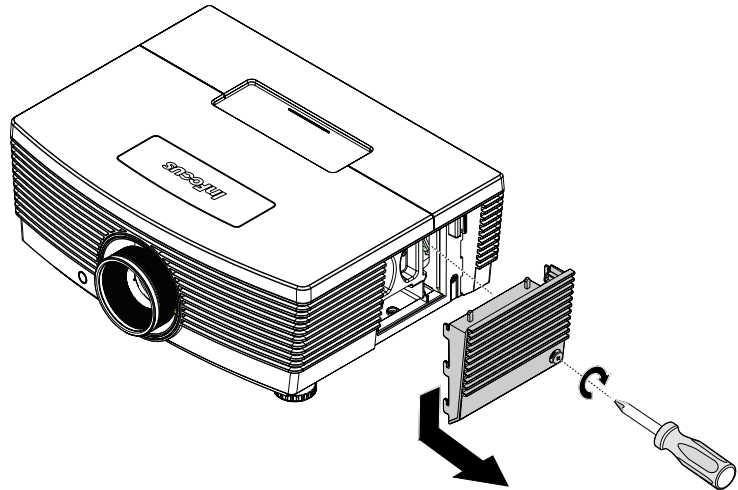
Warning:

- *The projector uses a high-pressure mercury glass lamp. The lamp may fail prematurely, or it may rupture with a popping sound if jolted, scratched, or handled while hot. The risk of lamp failure or rupture also increases as the lamp age increases; please replace the lamp when you see the “Replace Lamp.”*
- *Do not touch or block the projector lens with any objects as this can damage the projector lens. Scratches, gouges and other lens damage are not covered by the product warranty.*
- *Unplug the power cord before replacing the lamp.*
- *Do not drop the lamp module. The glass may shatter and cause injury.*
- *Do not touch the glass surface of the lamp module. Fingerprints can obscure projection sharpness and may cause the glass to shatter.*
- *Be extremely careful when removing the lamp housing. In the unlikely event that the lamp ruptures, small glass fragments may be generated. The lamp module is designed to contain most of these fragments, but use caution when removing it.*
- *Before replacing a ruptured lamp, clean the lamp compartment and dispose of cleaning materials. Wash hands after lamp replacement.*
- *When replacing the lamp while the projector is ceiling-mounted, wear protective eye-wear to prevent eye injury. Hg – Lamp contains mercury. Manage in accordance with local disposal laws. See www.lamprecycle.org.*
- *Be sure to turn off and unplug the projector at least 60 minutes before replacing the lamp. Failure to do so could result in a severe burn.*

- 1.** Switch off the power to the projector by pressing the POWER button twice.
- 2.** Allow the projector to cool down at least 60 minutes.
- 3.** Disconnect the power cord.

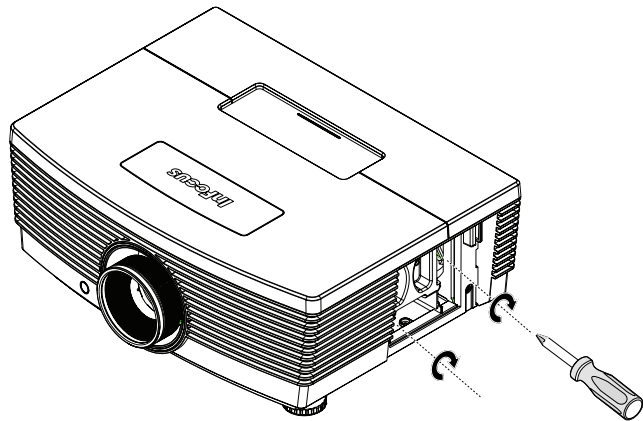


- 4.** Loosen the captive screw on the lamp cover.

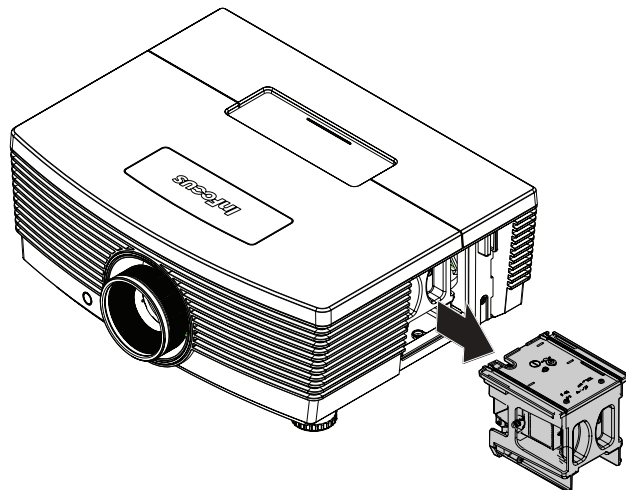


- 5.** Pull up and remove the cover.

- 6.** Use a screwdriver to remove the two captive screws from the lamp module.



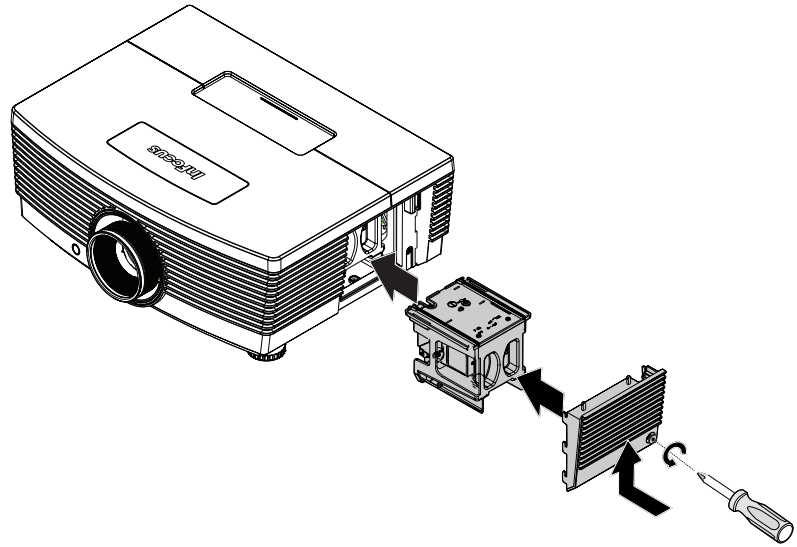
- 7.** Pull out the lamp module.



- 8.** Reverse steps 1 to 7 to install the new lamp module.
While installing, align the lamp module with the connector and ensure it is level to avoid damage.

Note:

The lamp module must sit securely in place and the lamp connector must be connected properly before tightening the screws.



- 9.** Turn on the projector and reset the lamp after the lamp module is replaced.
- Lamp Reset:
- Press the Menu button and select the SETUP>>Advanced menu.
 - Highlight "Lamp" and press the Enter/Select button to access the Lamp submenu.
 - Select "Reset Lamp Timer" and press Enter/Select.
 - Highlight "Reset" (it will appear blue) and press Enter/Select to reset the lamp counter to zero.

Cleaning the Projector

Cleaning the projector to remove dust and grime will help ensure trouble-free operation.

Warning:

1. Be sure to turn off and unplug the projector at least 60 minutes before cleaning. Failure to do so could result in a severe burn.
2. Use only a dampened cloth when cleaning. Do not allow water to enter the ventilation openings on the projector.
3. If a little water gets into the projector interior while cleaning, leave unplugged in a well-ventilated room for several hours before using.
4. If a lot of water gets into the projector interior when cleaning, have the projector serviced.

Cleaning the Lens

You can purchase optic lens cleaner from most camera stores. Refer to the following to clean the projector lens.

1. Apply a little optic lens cleaner to a clean soft cloth. (Do not apply the cleaner directly to the lens.)
2. Lightly wipe the lens in a circular motion.

Caution:

1. Do not use abrasive cleaners or solvents.
2. To prevent discoloration or fading, avoid getting cleaner on the projector case.

Cleaning the Case

Refer to the following to clean the projector case.

1. Wipe off dust with a clean dampened cloth.
2. Moisten the cloth with warm water and mild detergent, and then wipe the case.
3. Rinse all detergent from the cloth and wipe the projector again.

Caution:

To prevent discoloration or fading of the case, do not use abrasive alcohol-based cleaners.

TROUBLESHOOTING

Common Problems and Solutions

These guidelines provide tips to deal with problems you may encounter while using the projector. If the problem remains unsolved, contact InFocus at www.infocus.com/support.

Often the problem is traced to something as simple as a loose connection. Check the following before proceeding to problem-specific solutions.

- *Use another electrical device to confirm that the electrical outlet is working.*
- *Ensure the projector is turned on.*
- *Ensure all connections are securely attached.*
- *Ensure the attached device is turned on.*
- *Ensure a connected PC is not in standby mode.*
- *Ensure a connected notebook computer is configured for an external display. (This is usually done by pressing a Fn-key combination on the notebook. Go to www.infocus.com/support and the Learn tab to review the Laptop Activation chart.)*

Tips for Troubleshooting

In each problem-specific section, try the steps in the order suggested. This may help you to solve the problem more quickly.

Try to pinpoint the problem and avoid replacing non-defective parts.

For example, if you replace batteries and the problem remains, put the original batteries back and go to the next step.

Keep a record of the steps you take when troubleshooting. The information may be useful when calling Technical Support and obtaining service.

LED Error Messages

ERROR CODE MESSAGES	PWR LED		READY LED	TEMP LED
	Green	Red	Red	Red
Standby	—	ON	—	—
Start-up/Cool Down	ON	—	flashing	—
Overheating	—	—	—	ON
Thermal Break Sensor error	—	7 blinks	—	—
Lamp Error	5 blinks	—	—	—
Burner Fan error	6 blinks	—	1 blinks	—
System Fan error	6 blinks	—	2 blinks	—
Power and Ballast Fan error	6 blinks	—	3 blinks	—
Case Open	—	7 blinks	—	—
DMD error	8 blinks	—	—	—
Color wheel error	9 blinks	—	—	—

In the event of an error, please disconnect the AC power cord and wait for one (1) minute before re-starting the projector. If the PWR or READY LED is still blinking or the TEMP LED is lit, contact InFocus Technical Support at www.infocus.com/support.

Image Problems

Problem: No image appears on the screen

1. Verify the settings on your notebook or desktop PC.
2. Turn off all equipment and power up again in the correct order.
3. Many laptops do not automatically turn on their external video port when a projector is connected. Usually a key combination like **FN + F8** or CRT/LCD key turns the external display on and off. Locate a function key labeled CRT/LCD or function key with a monitor symbol. Press FN and the labeled function key simultaneously.

Problem: The image is blurred

1. Adjust the **Focus** on the projector.
2. Press the **Auto Image** button on the remote control.
3. Ensure the projector-to-screen distance is within the projection range. (Within 7m/23' for the standard lens; within 20m/66' for the long lens and within 3m/10' for the short lens).
4. Check that the projector lens is clean.

Problem: The image is wider at the top or bottom (trapezoid effect)

1. Position the projector so it is as perpendicular to the screen as possible.
2. Use the **Keystone** buttons on the remote control or projector to correct the problem.

Problem: The image is reversed

Check the **Projection** setting on the **Image** menu of the OSD.

Problem: The image is streaked

1. Adjust the Frequency and Phase settings in the Display >> PC Detail Adjustment menu..
2. To ensure the problem is not caused by a connected PC's video card, connect to another computer.

Problem: The image is flat with no contrast

Adjust the **Contrast** setting in the **PICTURE >> Basic** menu of the OSD.

Problem: The color of the projected image does not match the source image.

Adjust the **Color Temperature** and **Gamma** settings on the **PICTURE >> Advanced** menu of the OSD.

Lamp Problems

Problem: There is no light from the projector

1. Check that the power cable is securely connected.
2. Ensure the power source is good by testing with another electrical device.
3. Restart the projector in the correct order and check that the PWR LED is solid Green.
4. If you have replaced the lamp recently, try resetting the lamp connections.
5. Replace the lamp module.
6. Put the old lamp back in the projector and have the projector serviced.

Problem: The lamp goes off

1. Power surges can cause the lamp to turn off. Unplug and re-plug the power cord and press the Power button.
2. If the lamp still does not ignite, unplug the projector and allow it to cool for 60 minutes. Replace the lamp.
3. If a new lamp does not resolve the issue, put the old lamp back into the projector and arrange to have the projector repaired.

Remote Control Problems

Problem: The projector does not respond to the remote control

1. Direct the remote control towards remote sensor on the projector.
2. Ensure the path between remote and sensor is not obstructed.
3. Turn off any fluorescent lights in the room.
4. Check the battery polarity.
5. Replace the batteries.
6. Turn off other infrared-enabled devices in the vicinity.
7. Replace the remote control.

Audio Problems

Problem: There is no sound

1. Adjust the volume on the remote control.
2. Adjust the volume of the audio source.
3. Check the audio cable connection.
4. Disconnect audio out cable.
5. Test the source audio output with other speakers.
6. Have the projector serviced.

Problem: The sound is distorted

1. Check the audio cable connection.
2. Test the source audio output with other speakers.
3. Have the projector serviced.

Having the Projector Serviced

If you are unable to solve the problem contact InFocus Technical Support at www.infocus.com/support. If your projector needs repair, pack the projector in the original carton and include the return authorization number on the outside of the box.

HDMI Q & A

Q. What is the difference between a “Standard” HDMI cable and a “High-Speed” HDMI cable?

Recently, HDMI Licensing, LLC announced that cables would be tested as Standard or High-Speed cables.

Standard (or “category 1”) HDMI cables have been tested to perform at speeds of 75Mhz or up to 2.25Gbps, which is the equivalent of a 720p/1080i signal.

High Speed (or “category 2”) HDMI cables have been tested to perform at speeds of 340Mhz or up to 10.2Gbps, which is the highest bandwidth currently available over an HDMI cable and can successfully handle 1080p signals including those at increased color depths and/or increased refresh rates from the Source. High-Speed cables are also able to accommodate higher resolution displays, such as WQXGA cinema monitors (resolution of 2560 x 1600).

Q. How do I run HDMI cables longer than 10 meters?

There are many HDMI Adopters working on HDMI solutions that extend a cable’s effective distance from the typical 10 meter range to much longer lengths. These companies manufacture a variety of solutions that include active cables (active electronics built into cables that boost and extend the cable’s signal), repeaters, amplifiers as well as CAT5/6 and fiber solutions.

Q. How can I tell if a cable is an HDMI certified cable?

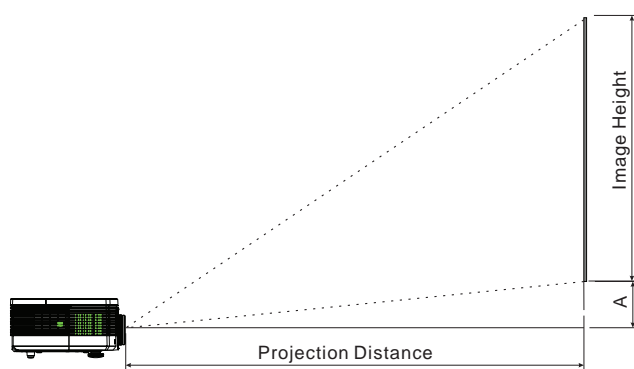
All HDMI products are required to be certified by the manufacturer as part of the HDMI Compliance Test Specification. However, there may be instances where cables bearing the HDMI logo are available but have not been properly tested. HDMI Licensing, LLC actively investigates these instances to ensure that the HDMI trademark is properly used in the market. We recommend that consumers buy their cables from a reputable source and a company that is trusted.

For more detailed information, go to: <http://www.hdmi.org/learningcenter/faq.aspx#49>

Specifications

Model	IN5316HD	IN5318
Display type	TI DMD 1080P 0.65"	TI DMD WUXGA 0.67"
Native Resolution	1920x1080	1920x1200
Projection distance (standard lens)	1.5 meters ~ 7 meters (4.92 ft ~ 22.97 ft)	
Projection screen size (standard lens)	35.1"~205" (89cm~521cm)	36.1"~211"(92cm~536cm)
Projection lens	Manual Focus/Manual Zoom	
Zoom ratio (standard lens)	1.25	
Vertical keystone correction	+/- 15 degrees	
Projection methods	Front, Rear, Desktop/Ceiling (Rear, Front)	
Data compatibility	VGA, SVGA, XGA, SXGA, SXGA+, UXGA, 1080P, WUXGA, Mac	
SDTV/ EDTV/ HDTV	480i, 480p, 576i, 576p, 720p, 1080i, 1080p	
Video compatibility	NTSC 4.43, PAL (M/N/60), SECAM	
H-Sync	15K, 31 – 90 KHz	
V-Sync	23 – 85 Hz	
Safety certification	FCC-B, UL, cUL, CB, CE, CCC, PCT, PSB, SABS, NOM, CECP, SASO, TUV-GS, KC, UL-S for Argentina and C-TICK	
Operation temperature	5° ~ 35°C (41° ~ 95°F)	
Dimensions (W x D x H)	430.16mm x 318.00mm x 175.00mm (16.94" x 12.52" x 6.89")	
AC Input	AC Universal 100-240, Typical @ 110VAC (100-240)/± 10%	
Power consumption	Bright mode: 410W / Normal mode: 350W	
Standby	RS232 Control Enabled <1 watt (Default) RJ45 Control Enabled <9 watts	
Lamp	Bright mode: 330W / Normal mode: 280W	
Audio speaker	AMP 3W speaker x 2	
Input Terminals	VGA x 2	
	DISPLAYPORT x 1	
	S-Video x 1	
	5 BNC (RGBHV) x 1	
	Component x 1	
	Composite video x 1	
	HDMI x 1	
	RCA stereo x 2	
Output Terminals	Mini-jack stereo x 1	
	VGA x 1	
Control Terminals	RS-232C	
	RJ45	
	Screen trigger: DC Jack x 1 (DC12V 200mA output function) USB (Slide Advance, Mouse Clicks and Firmware Updates)	
Security	Security cable lock slot	

Projection Distance vs. Projection Size (1080P)



Projection Distance and Size Table

Standard projection lens: TR: 1.54– 1.93; offset=10%

IN5316HD	TELE				WIDE			
Distance (m/inch)	1.71/ 67.3	3.42/ 134.6	4.27/ 168.2	8.55/ 336.4	1.70/ 67.1	3.41/ 134.2	6.82/ 268.4	10.23/ 402.7
Diagonal (inch/ft)	40/3.3	80/6.7	100/8.3	200/16.7	50/4.2	100/8.3	200/16.7	300/25
Image Height (mm/inch)	498/ 19.6	996/ 39.2	1245/ 49	2491/ 98.1	623/ 24.5	1245/ 49	2491/ 98.1	3736/ 147.1
Image Width (mm/inch)	886/ 34.9	1771/ 69.7	2214/ 87.2	4428/ 174.3	1107/ 43.6	2214/ 87.2	4428/ 174.3	6641/ 261.5
A (Offset -mm/inch)	50/2	100/3.9	125/4.9	249/9.8	62/2.5	125/4.9	249/9.8	374/14.7

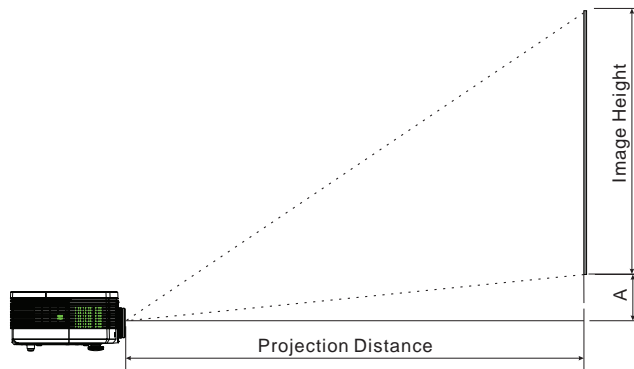
Long throw projection lens: TR: 1.93– 2.9; offset=10%

IN5316HD	TELE				WIDE			
Distance (m/inch)	2.57/ 101.1	6.42/ 252.8	12.84/ 505.5	19.26/ 758.3	2.14/ 84.1	6.41/ 252.3	12.82/ 504.6	19.23/ 757
Diagonal (inch/ft)	40/ 3.3	100/ 8.3	200/ 16.7	300/ 25	50/ 4.2	150/ 12.5	300/ 25	450/ 37.5
Image Height (mm/inch)	498/ 19.6	1245/ /49	2491/ 98.1	3736/ 147.1	623/ 24.5	1868/ 73.5	3736/ 147.1	5604/ 220.6
Image Width (mm/inch)	886/ 34.9	2214/ 87.2	4428/ 174.3	6641/ 261.5	1107/ /43.6	3321/ 130.7	6641/ 261.5	9962/ 392.2
A (Offset -mm/inch)	50/2	125/4.9	249/9.8	374/14.7	62/2.5	187/7.4	374/14.7	560/22.1

Short throw projection lens: TR: 0.77; offset=10%

IN5316HD	FIX			
Distance (m/inch)	0.68/26.8	1.36/53.7	1.70/67.1	2.56/100.7
Diagonal (inch/ft)	40/3.3	80/6.7	100/8.3	150/12.5
Image Height (mm/inch)	498/ 19.6	996/ 39.2	1245/ 49	1868/ 73.5
Image Width (mm/inch)	886/ 34.9	1771/ 69.7	2214/ 87.2	3321/ 130.7
A (Offset -mm/inch)	50/2	100/3.9	125/4.9	187/7.4

Projection Distance vs. Projection Size (WUXGA)



Projection Distance and Size Table

Standard projection lens: TR: 1.54–1.93; offset=5%

IN5318	TELE				WIDE			
Distance (m/inch)	1.66/65.5	3.33/130.9	4.16/163.7	8.31/327.3	1.66/65.3	3.32/130.6	6.63/261.2	9.95/391.8
Diagonal (inch/ft)	40/3.3	80/6.7	100/8.3	200/16.7	50/4.2	100/8.3	200/16.7	300/25
Image Height (mm/inch)	538/21.2	1077/42.4	1346/53	2692/106	673/26.5	1346/53	2692/106	4039/159
Image Width (mm/inch)	862/33.9	1723/67.8	2154/84.8	4308/169.6	1077/42.4	2154/84.8	4308/169.6	6462/254.4
A (Offset -mm/inch)	27/1.1	54/2.1	67/2.6	135/5.3	34/1.3	67/2.6	135/5.3	202/7.9

Long throw projection lens: TR: 1.93 – 2.9; offset=5%

IN5318	TELE				WIDE			
Distance (m/inch)	2.5/98.4	6.25/245.9	12.49/491.8	18.74/737.8	2.08/81.8	6.24/245.5	12.47/491	18.71/736.5
Diagonal (inch/ft)	40/3.3	100/8.3	200/16.7	300/25	50/4.2	150/12.5	300/25	450/37.5
Image Height (mm/inch)	538/21.2	1346/53	2692/106	4039/159	673/26.5	2019/79.5	4039/159	6058/238.5
Image Width (mm/inch)	862/33.9	2154/84.8	4308/169.6	6462/254.4	1077/42.4	3231/127.2	6462/254.4	9693/381.6
A (Offset -mm/inch)	27/1.1	67/2.6	135/5.3	202/7.9	34/1.3	101/4	202/7.9	303/11.9

Short throw projection lens: TR: 0.77; offset=5%

IN5318	FIX			
Distance (m/inch)	0.66/26.1	1.33/52.2	1.66/65.3	2.49/97.9
Diagonal (inch/ft)	40/3.3	80/6.7	100/8.3	150/12.5
Image Height (mm/inch)	538/21.2	1077/42.4	1346/53	2019/79.5
Image Width (mm/inch)	862/33.9	1723/67.8	2154/84.8	3231/127.2
A (Offset -mm/inch)	27/1.1	54/2.1	67/2.6	101/4

Timing Mode Table

The projector can display several resolutions. The following table outlines the resolutions that can be displayed by the projector.

SIGNAL	RESOLUTION	H-SYNC (KHz)	V-SYNC (Hz)	COMPOSITE / S-VIDEO	VGA 1/2 /RGBHV (ANALOG)	HDMI (DIGITAL)	DP (DIGITAL)
NTSC	—	15.734	60.0	O	—	—	—
PAL/SECAM	—	15.625	50.0	O	—	—	—
VESA	720 x 400	37.9	85.0	—	O	O	O
	640 x 480	31.5	60.0	—	O	O	O
	640 x 480	37.9	72.8	—	O	O	O
	640 x 480	37.5	75.0	—	O	O	O
	640 x 480	43.3	85.0	—	O	O	O
	800 x 600	35.2	56.3	—	O	O	O
	800 x 600	37.9	60.3	—	O	O	O
	800 x 600	46.9	75.0	—	O	O	O
	800 x 600	48.1	72.2	—	O	O	O
	800 x 600	53.7	85.1	—	O	O	O
	1024 x 768	48.4	60.0	—	O	O	O
	1024 x 768	56.5	70.1	—	O	O	O
	1024 x 768	60.0	75.0	—	O	O	O
	1024 x 768	68.7	85.0	—	O	O	O
	1280 x 800	49.7	59.8	—	O	O	O
	1280 x 800	62.8	74.9	—	O	O	O
	1280 x 800	71.6	84.8	—	O	O	O
	1280 x 1024	64.0	60.0	—	O	O	O
	1280 x 1024	80.0	75.0	—	O	O	O
	1280 x 1024	91.1	85.0	—	O	O	O
	1400 x 1050	65.3	60.0	—	O	O	O
	1440 x 900	55.9	60.0	—	O	O	O
	1600 x 1200	75.0	60	—	O	O	O
1920 x 1080	67.2	60	—	O	O	O	
1920 x 1200[RB]	74.0	60	—	O	O	O	
Apple Macintosh	640 x 480	35.0	66.7	—	O	O	O
	832 x 624	49.7	74.5	—	O	O	O
	1024 x 768	60.2	74.9	—	O	O	O
	1152 x 870	68.7	75.1	—	O	O	O
SDTV	480i	15.734	60.0	—	O	O	O
	576i	15.625	50.0	—	O	O	O
EDTV	576p	31.3	50.0	—	O	O	O
	480p	31.5	60.0	—	O	O	O

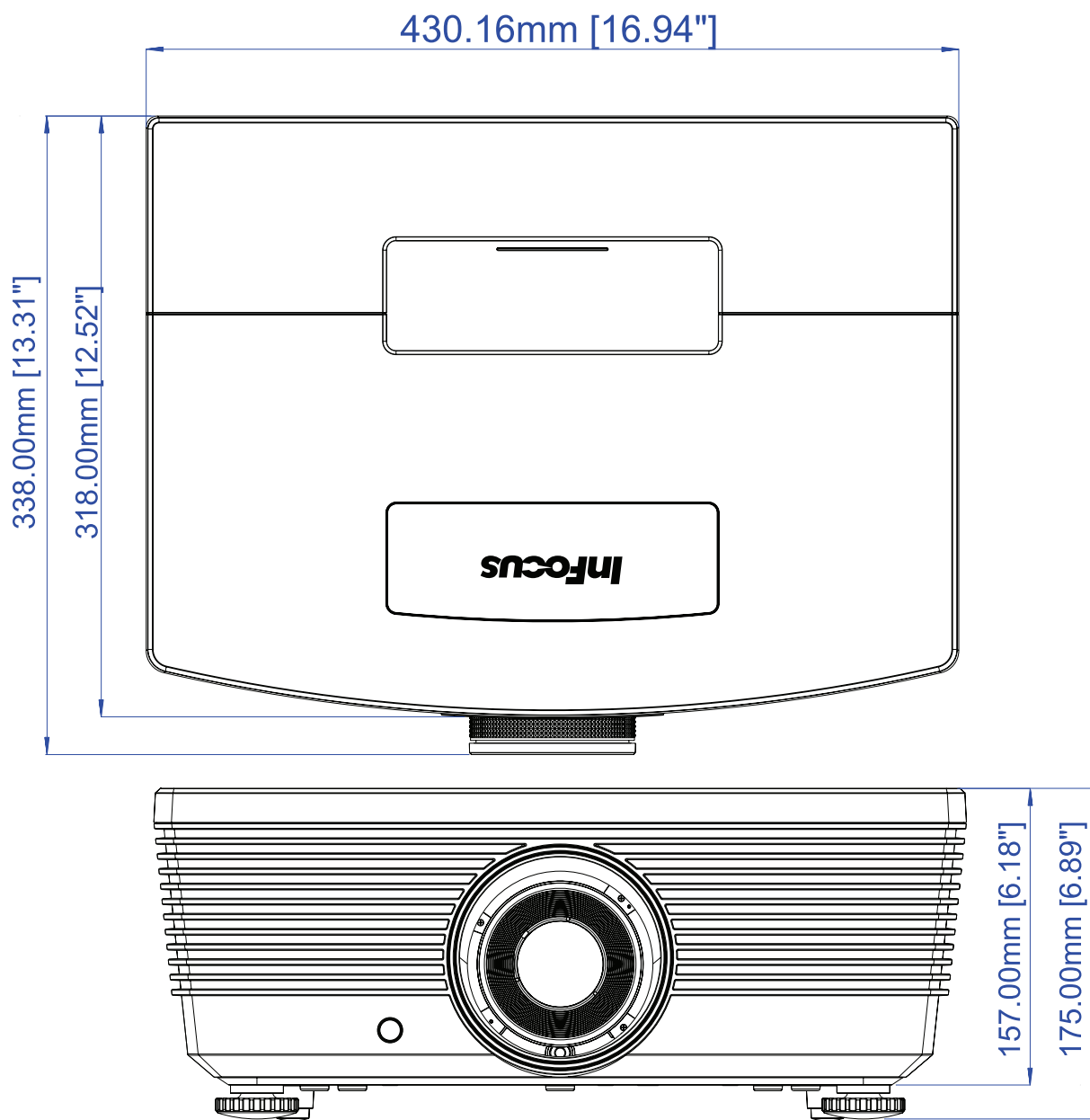
SIGNAL	RESOLUTION	H-SYNC (KHz)	V-SYNC (Hz)	COMPOSITE / S-VIDEO	VGA 1/2 /RGBHV (ANALOG)	HDMI (DIGITAL)	DP (DIGITAL)
HDTV	720p	37.5	50.0	—	O	O	O
	720p	45.0	60.0	—	O	O	O
	1080i	33.8	60.0	—	O	O	O
	1080i	28.1	50.0	—	O	O	O
	1080p	27	24.0	—	O	O	O
	1080p	28.13	25.0	—	O	O	O
	1080p	33.75	30.0	—	O	O	O
	1080p	67.5	60.0	—	O	O	O
	1080p	56.3	50.0	—	O	O	O

O: Frequency supported

—: Frequency not supported

(*) VGA support EDTV/SDTV/HDTV component with an adapter.

Projector Dimensions



FCC Warning

This equipment has been tested and found to comply with the limits for a Class B digital device pursuant to Part 15 of the FCC Rules. These limits are designed to provide reasonable protection against harmful interference when the equipment is operated in a commercial environment.

This equipment generates, uses, and can radiate radio frequency energy and, if not installed and used in accordance with the instruction manual, may cause harmful interference to radio communications. Operation of this equipment in a residential area is likely to cause harmful interference in which case the user will be required to correct the interference at his/her own expense.

Changes or modifications not expressly approved by the parties responsible for compliance could void the user's authority to operate the equipment.

Canada

This class B digital apparatus complies with Canadian ICES-003.

WEEE



NOTE: This product is covered electrical and electronic equipment under the European Union's Waste from Electrical and electronic Equipment ("WEEE") Directive (2002/96/EC). The WEEE Directive requires that covered equipment be collected and managed separately from typical household waste in all EU member states. Please follow the guidance of your local environmental authority or ask the shop where you purchased the product for collection or recycling options.

Safety Certifications

FCC-B, UL, cUL, CB, CE, CCC, PCT, PSB, SABS, NOM, CECP, SASO, Tuv-GS, KC, UL-s for Argentina and C-TICK