

.....
**SpectroLED 14
Flood Light**
USER MANUAL



G *genaray*[®]

SPECTROLED 14 FLOOD LIGHT INTRODUCTION

THANK YOU FOR CHOOSING GENARAY

The Genaray SpectroLED 14 LED Flood Light fixture provides photographers and videographers with a bright and continuous daylight-balance light source with broad 120° coverage. This 120 W LED fixture can operate on AC power, and it features flicker-free dimming from 100% to 10% along with a high CRI for precise color accuracy and rendering.

This LED fixture features SDM technology for the widest coverage offered by LED lights. When used with its dedicated 31.5-inch octagonal softbox (sold separately), the light delivers an even, wraparound light that's perfect for portrait photography as well as video interviews. For multi-light setups, the dimmer can be controlled from up to 100 feet away with Genaray's wireless remote (sold separately). Because LED lights produce very little heat, the SpectroLED 14 can be used for extended periods without overheating.

PRECAUTIONS



- Please read and follow these instructions, and keep this manual in a safe place.
- Keep this unit away from water and any flammable gases or liquids.
- Make sure the unit is powered off when plugging it into a power source.
- Use only the correct, recommended voltage.
- Handle the unit with care.
- Do not attempt to disassemble or repair the equipment—doing so will void the warranty, and Genaray will not be responsible for any damage.
- Do not stare directly at the lights when they are powered on.
- Clean the unit with only a soft, dry cloth.
- Images are for illustrative purposes only.

SPECTROLED 14
FLOOD LIGHT
OVERVIEW



Umbrella socket

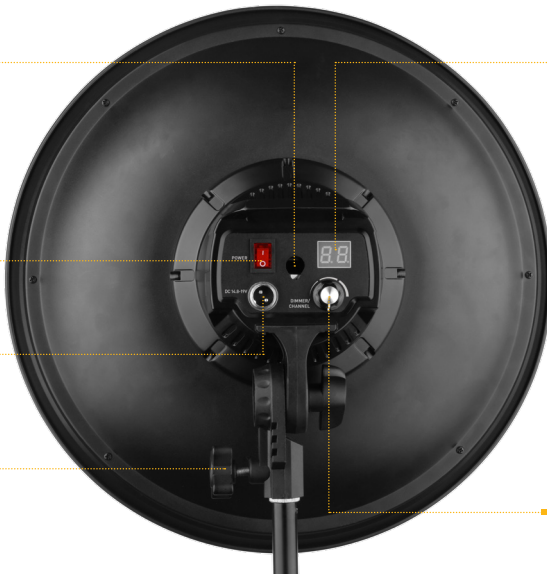
LED screen

Power switch

Two-pin connection

Locking knob

Dimmer knob



CONTENTS INCLUDE

- Light with 5/8 in. mount
- AC adapter
- Power cord
- Diffuser cap
- User manual

MOUNTING THE SPECTROLED 14

Mount the SpectroLED 14 on any heavy-duty light stand with a 5/8-inch baby-pin, and turn the locking knob until secure.

POWERING THE SPECTROLED 14

The SpectroLED 14 is powered directly from an AC outlet.

USING THE SPECTROLED 14 WITH AC POWER

Important! ⚠️ ⚠️

The SpectroLED 14 is a multivoltage fixture capable of running on 100–240 V, 50/60 Hz. The included cable has a 120 V, 50 Hz (North American) plug. To use this fixture with other voltages, you must use a plug adapter (sold separately).

Connect the AC power adapter to the SpectroLED 14 with the 2-pin cable, and plug the power cord into an outlet.

ADJUSTING THE BRIGHTNESS

Rotate the dimmer knob to increase the brightness to 100% or to decrease the brightness to 10%. The brightness output will show on the LED screen.

MOUNTING AN UMBRELLA

Important! ⚠️ ⚡

Make sure the light is turned off before mounting an umbrella.

Insert the umbrella into the umbrella socket located in the center of the LED array.

Adjust the umbrella as necessary. The pressure from the umbrella socket will hold the umbrella in place.

WIRELESS OPERATION

The SpectroLED 14's dimmer can be controlled wirelessly with the Genaray MB-WRT Wireless Remote (not included).

SELECTING A CHANNEL

1. Press and hold the dimmer knob. The channel number and the LED array will blink.
2. Use the dimmer knob to select a channel (1 to 99), and press the dimmer knob to set the selection. The LED screen will return to showing the brightness, and the LED array will stop blinking.

Important! ⚠️ ↻

Make sure the Genaray Wireless Remote is set to the same channel as the SpectroLED 14. For more information, refer to the Wireless Remote's user manual.

PRODUCT SPECIFICATIONS

LED Count: 600

LED Type: Surface mount (SMD)

Color Temperature: 5600 K

Luminance: 4000 lx @ 1 m

Beam Angle: 120°

CRI: 96.3

TLCI: 92.7

Output Power: 120 W

Working Voltage: AC: 100 to 240 V

Mount: 5/8 in. baby pin

Diameter: 14.5 in. (36.8 cm)

Depth: 7 in. (17.8 cm)

Power Cable Length: 13 ft. (4 m)

Weight: 3.5 lb. (1.6 kg)

ONE-YEAR LIMITED WARRANTY

This Genaray product is warranted to the original purchaser to be free from defects in materials and workmanship under normal consumer use for a period of one (1) year from the original purchase date or thirty (30) days after replacement, whichever occurs later. Genaray's responsibility with respect to this limited warranty shall be limited solely to repair or replacement, at Genaray's discretion, of any product that fails during normal use of this product in its intended manner and in its intended environment. Inoperability of the product or part(s) shall be determined by Genaray. If the product has been discontinued, Genaray reserves the right to replace it with a model of equivalent quality and function.

This warranty does not cover damage or defect caused by misuse, neglect, accident, alteration, abuse, improper installation or maintenance. EXCEPT AS PROVIDED HEREIN, GENARAY MAKES NEITHER ANY EXPRESS WARRANTIES NOR ANY IMPLIED WARRANTIES, INCLUDING BUT NOT LIMITED TO ANY IMPLIED WARRANTY OF MERCHANTABILITY OR FITNESS FOR A PARTICULAR PURPOSE. This warranty provides you with specific legal rights, and you may also have additional rights that vary from state to state.

To obtain warranty coverage, contact the Genaray Customer Service Department to obtain a return merchandise authorization ("RMA") number, and return the defective product to Genaray along with the RMA number and proof of purchase. Shipment of the defective product is at the purchaser's own risk and expense.

For more information, or to arrange service, visit www.genaray.com or contact us at info@genaray.com.

© 2020 Genaray. All Rights Reserved.



